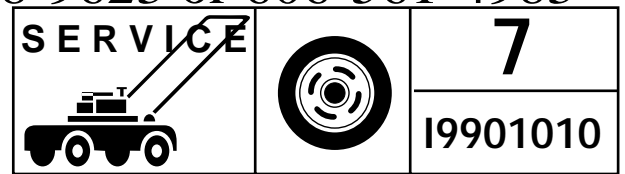


For Husqvarna Parts Call 606-678-9623 or 606-561-4983



IPL, Rider 16 H, 1999-02, 106 25 74-61

Rider 16 H

Spare parts

Ersatzteile

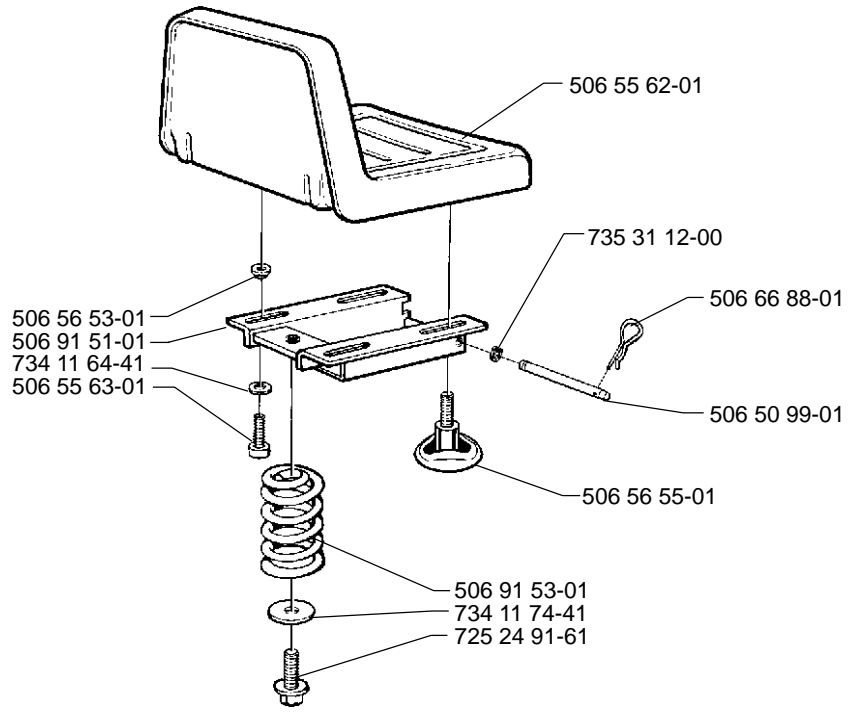
Pièces détachées

Reserve onderdelen

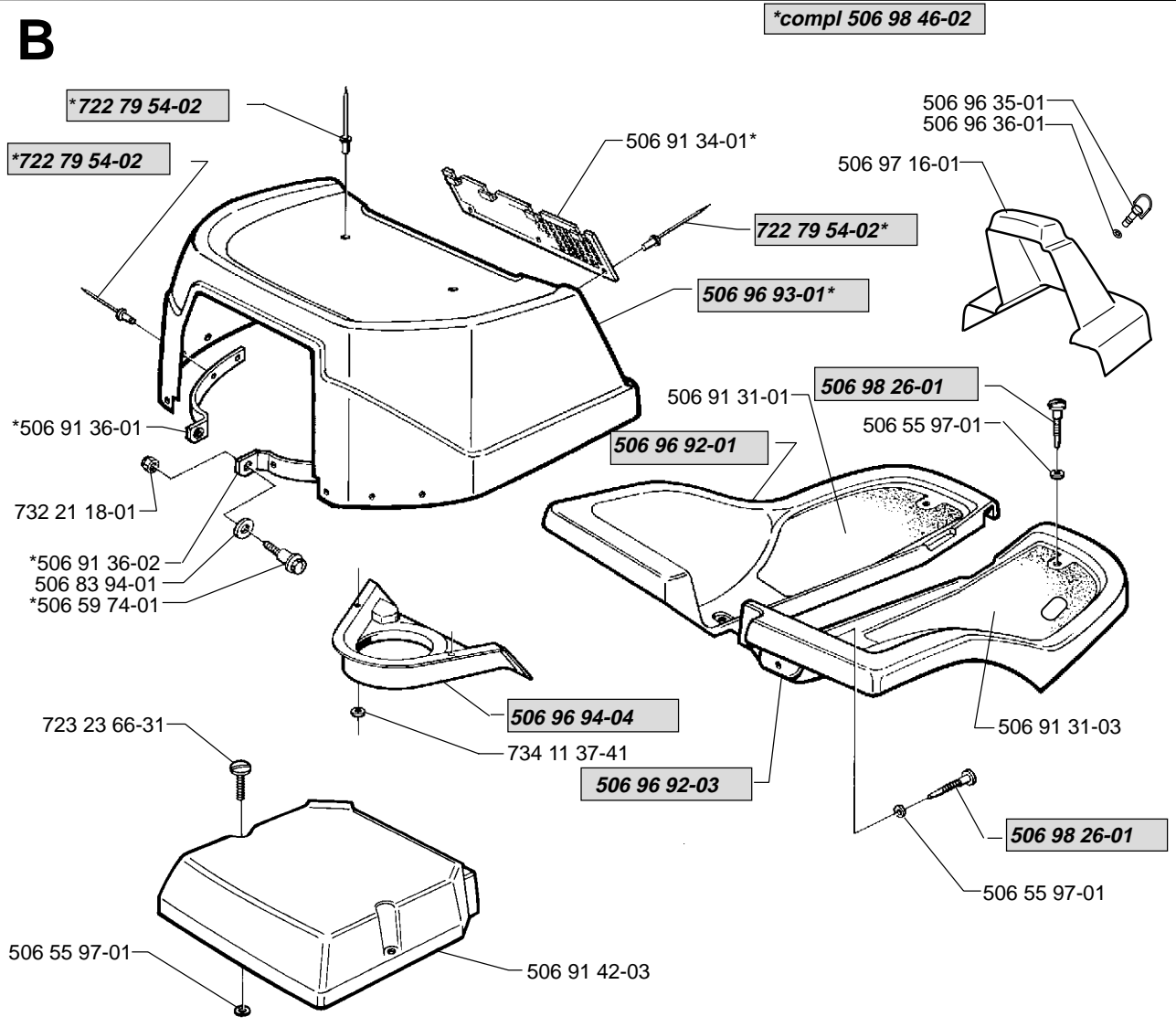
Repuestos

Reservdelar

A



B

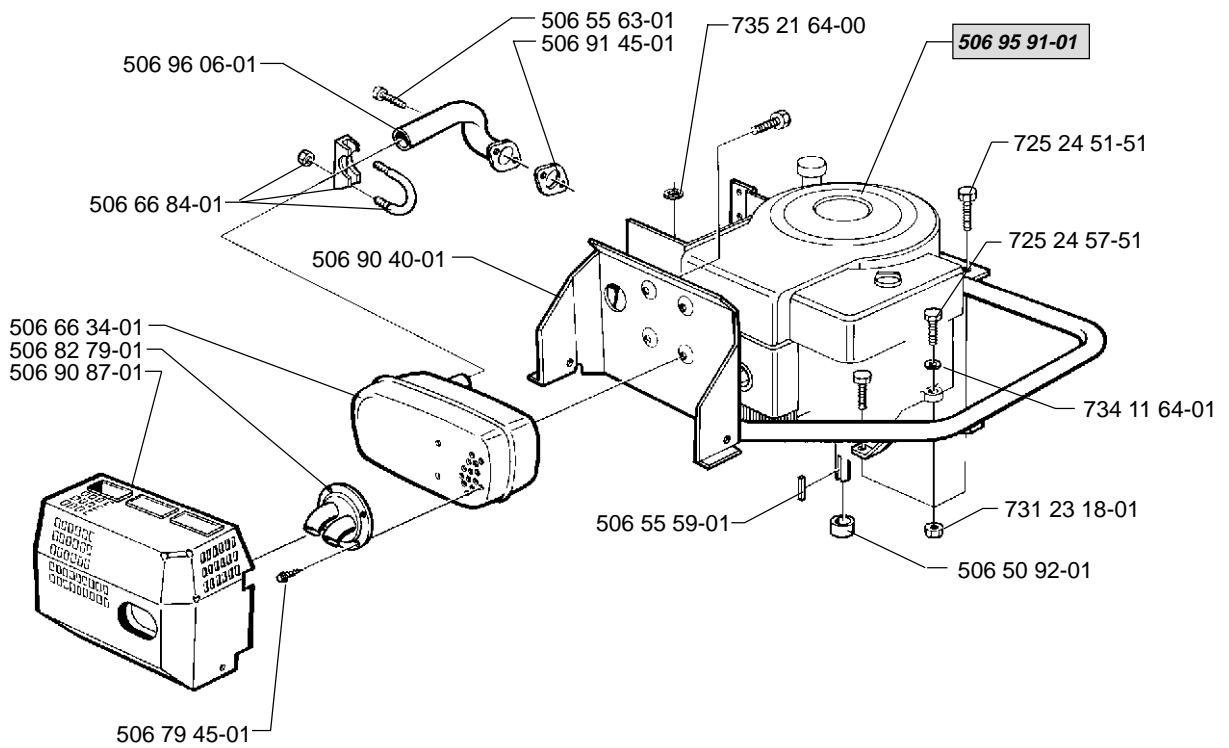


**compl 506 98 46-02*

xxx xx xx-xx = New part

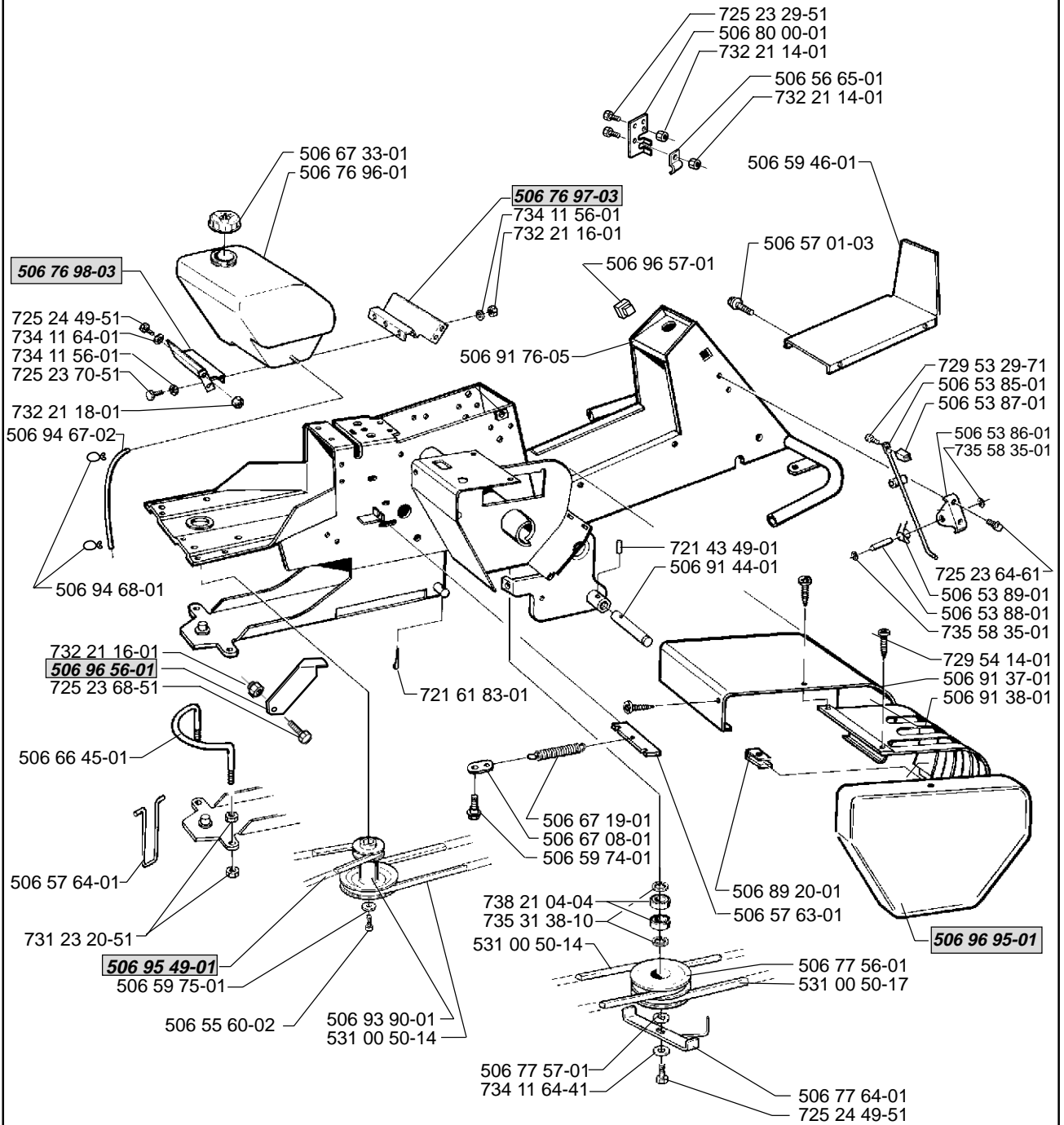
D

15,5 hp B & S Diamond plus

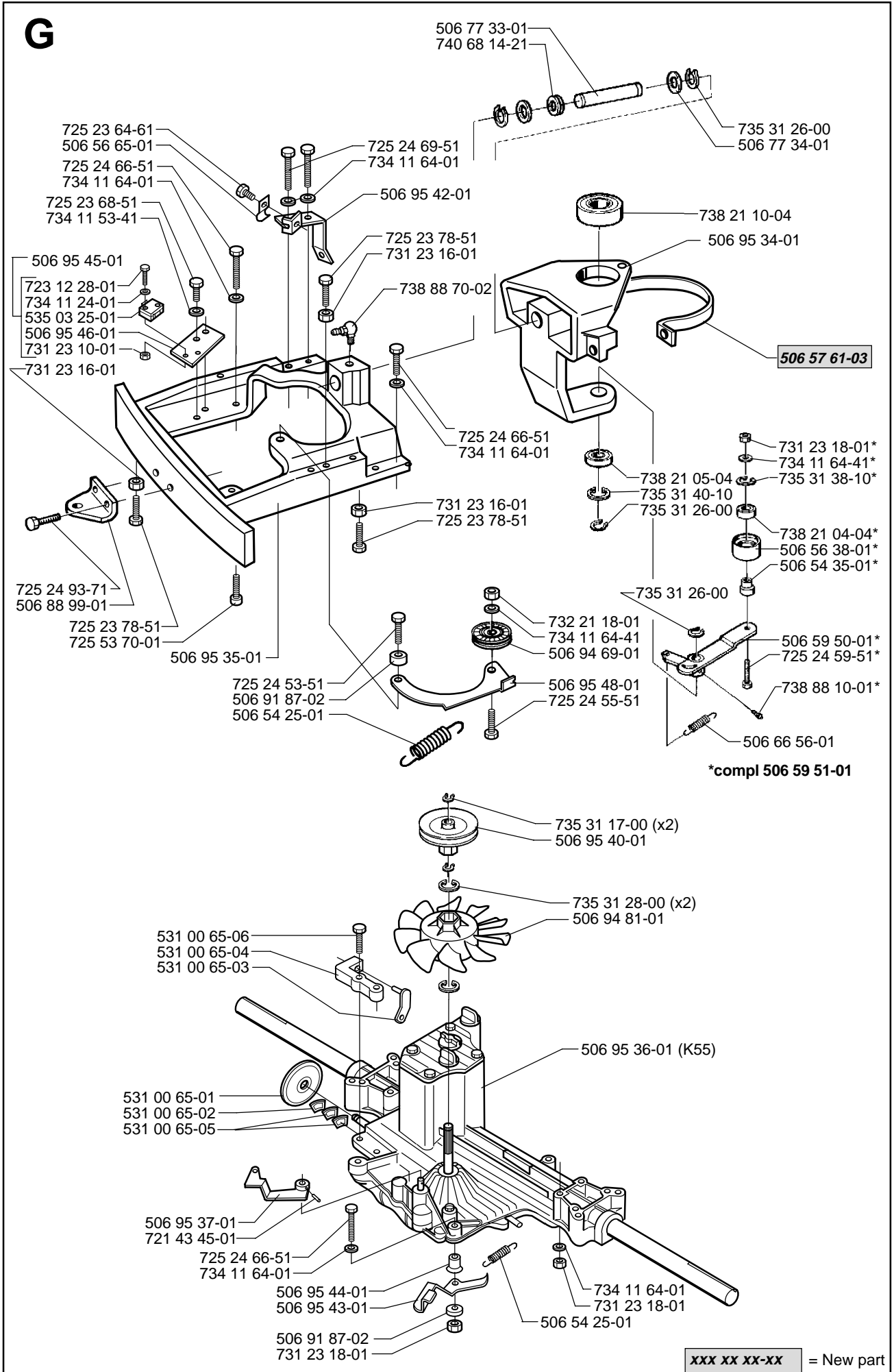


xxx xx xx-xx = New part

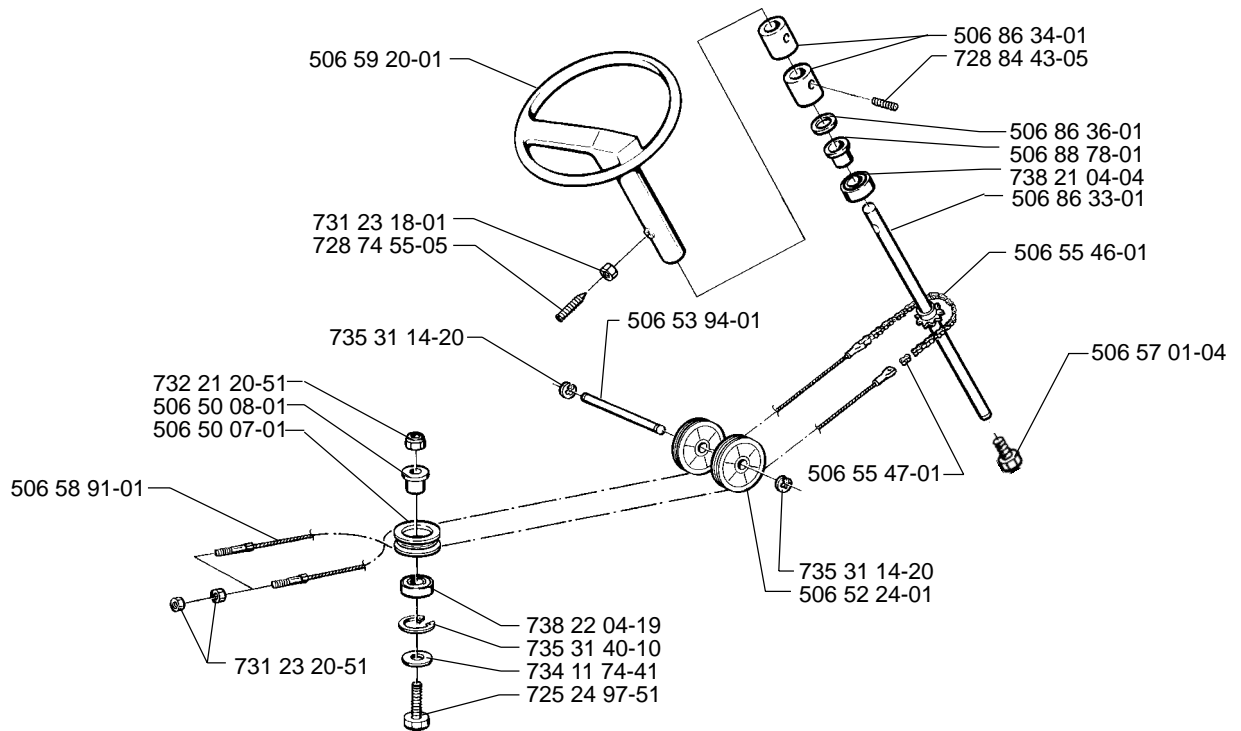
E



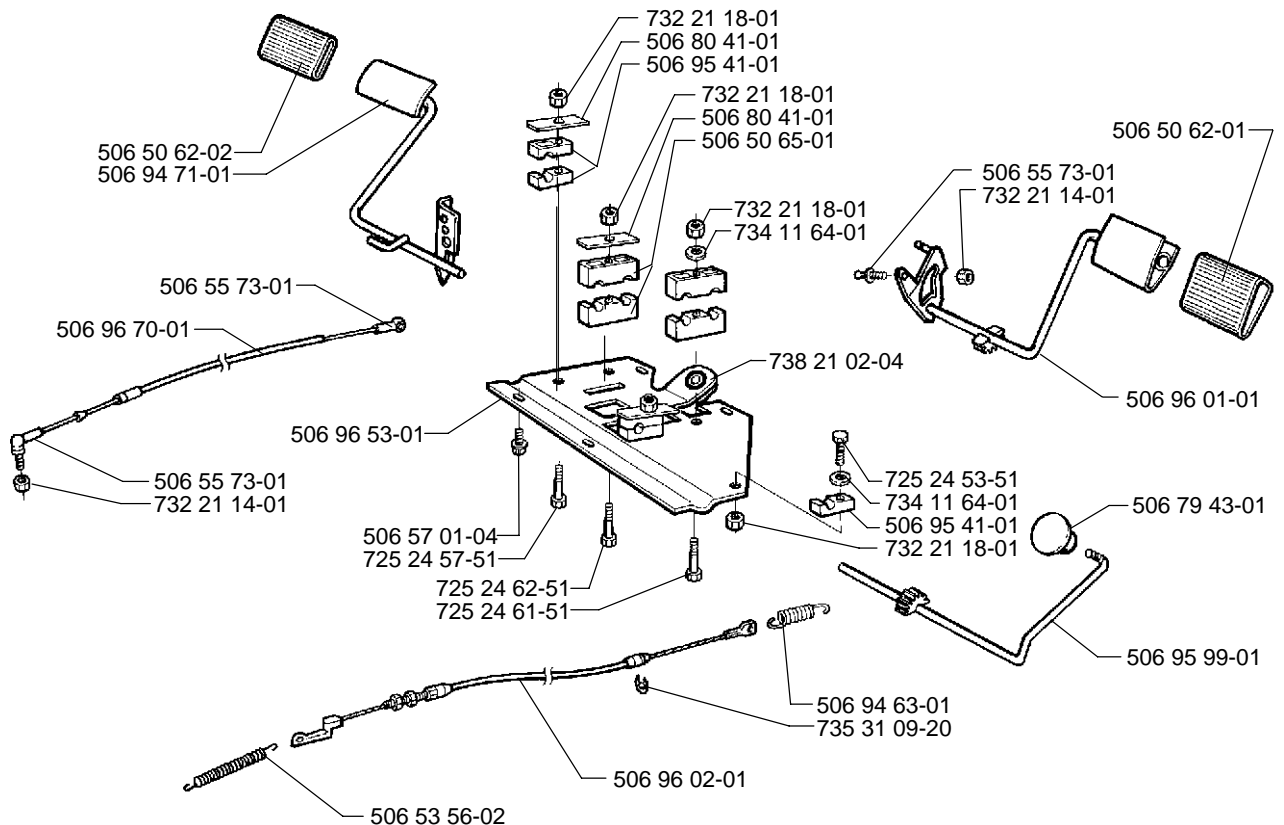
xxx xx xx-xx = New part



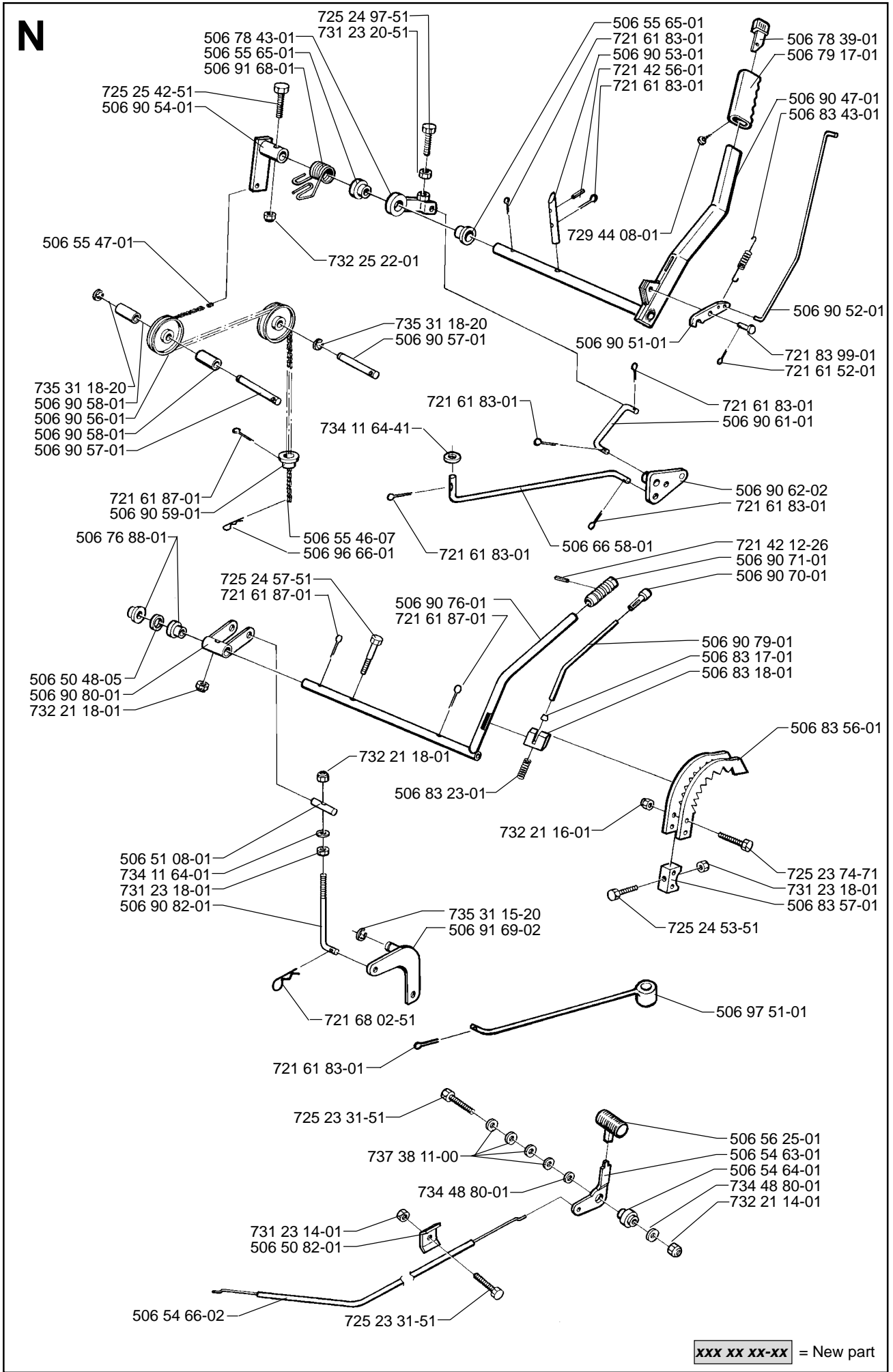
F



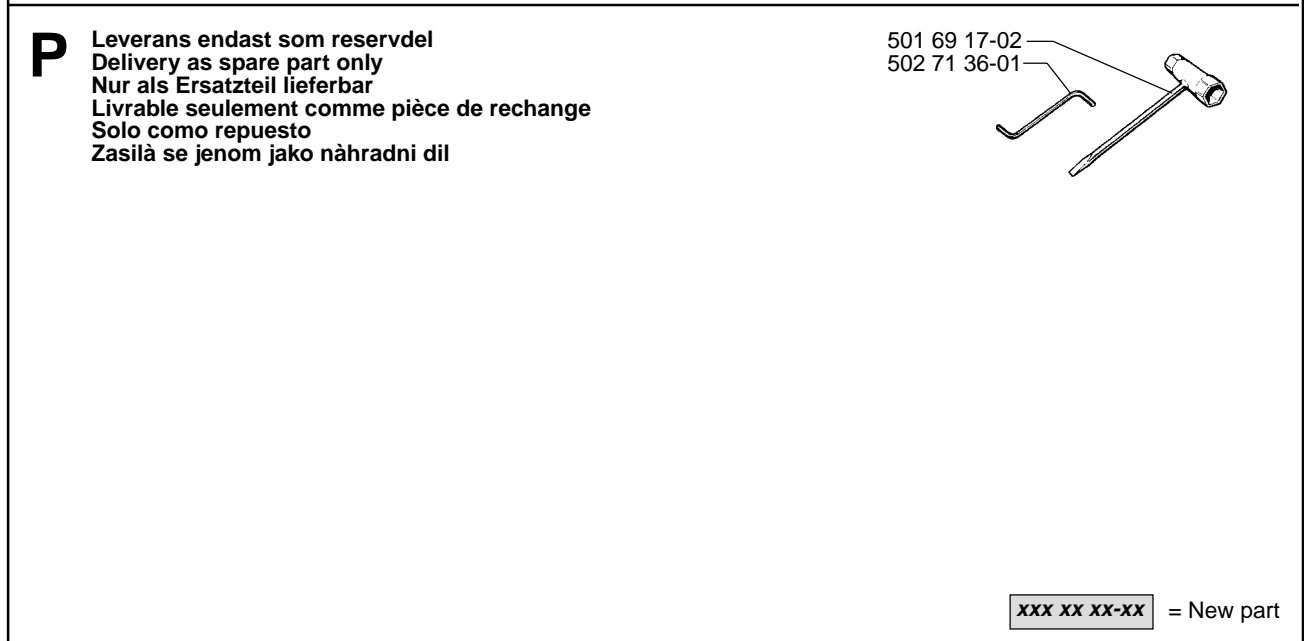
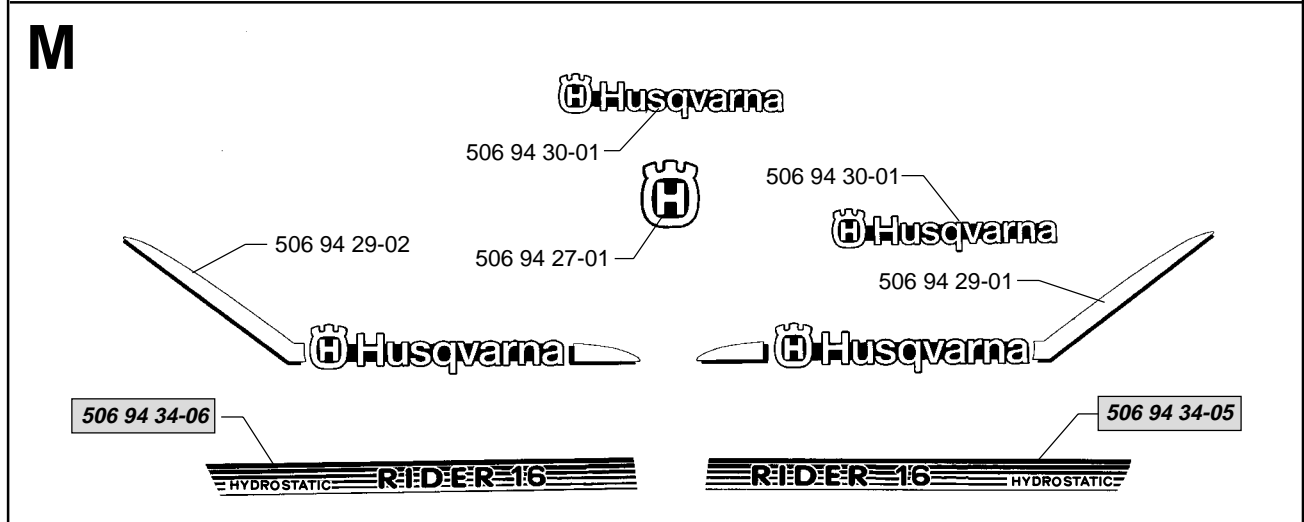
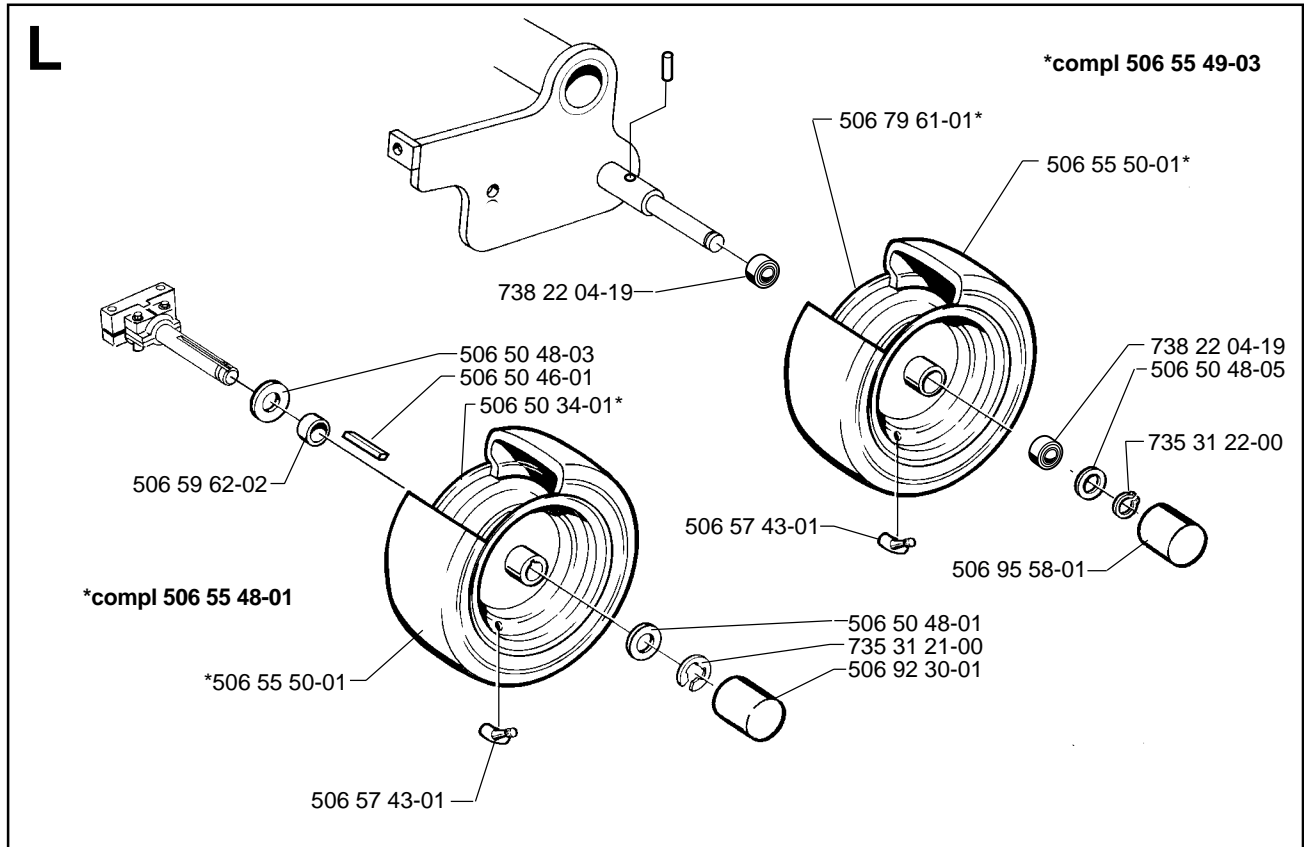
H



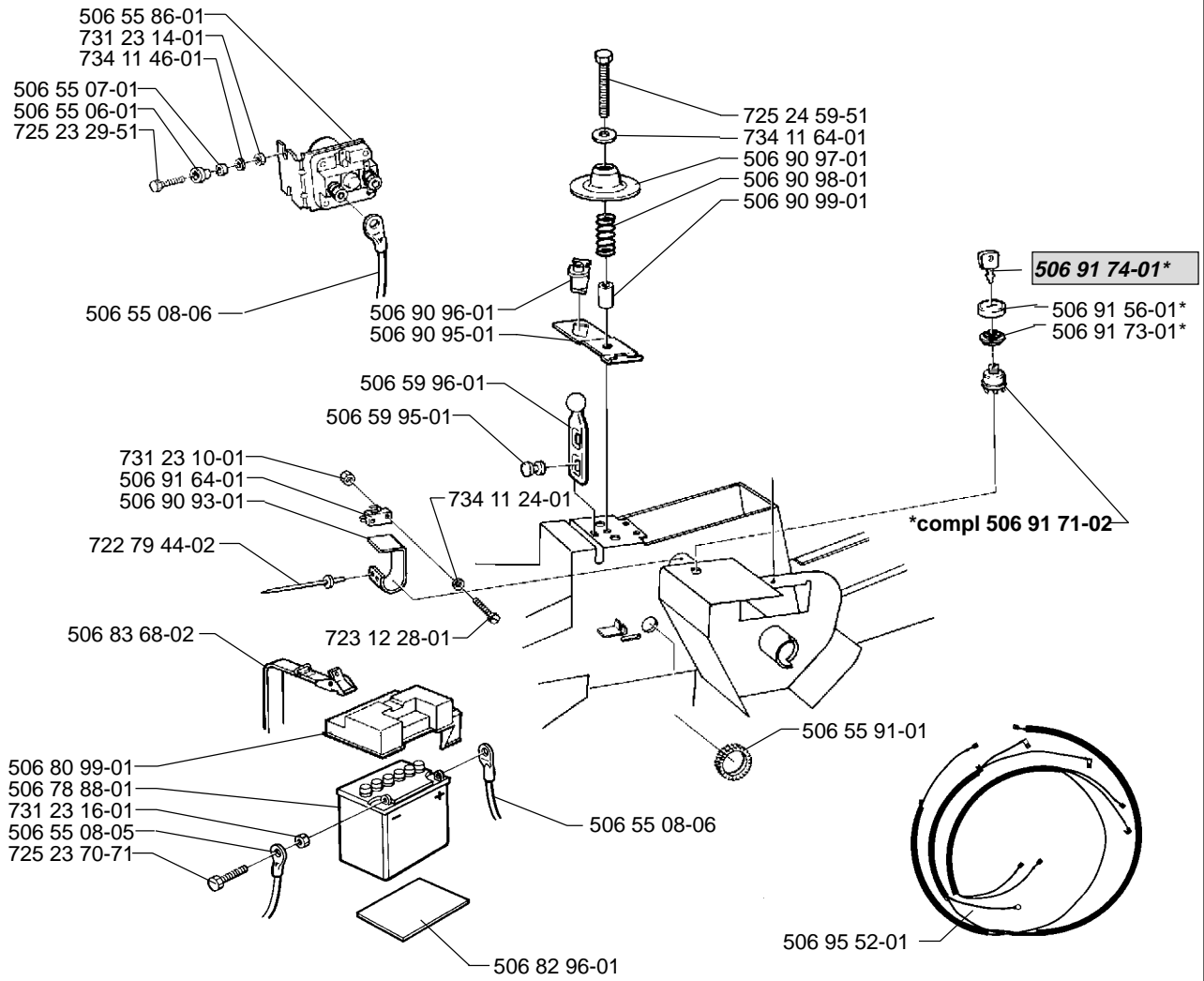
XXX XX XX-XX = New part



xxx xx xx-xx = New part

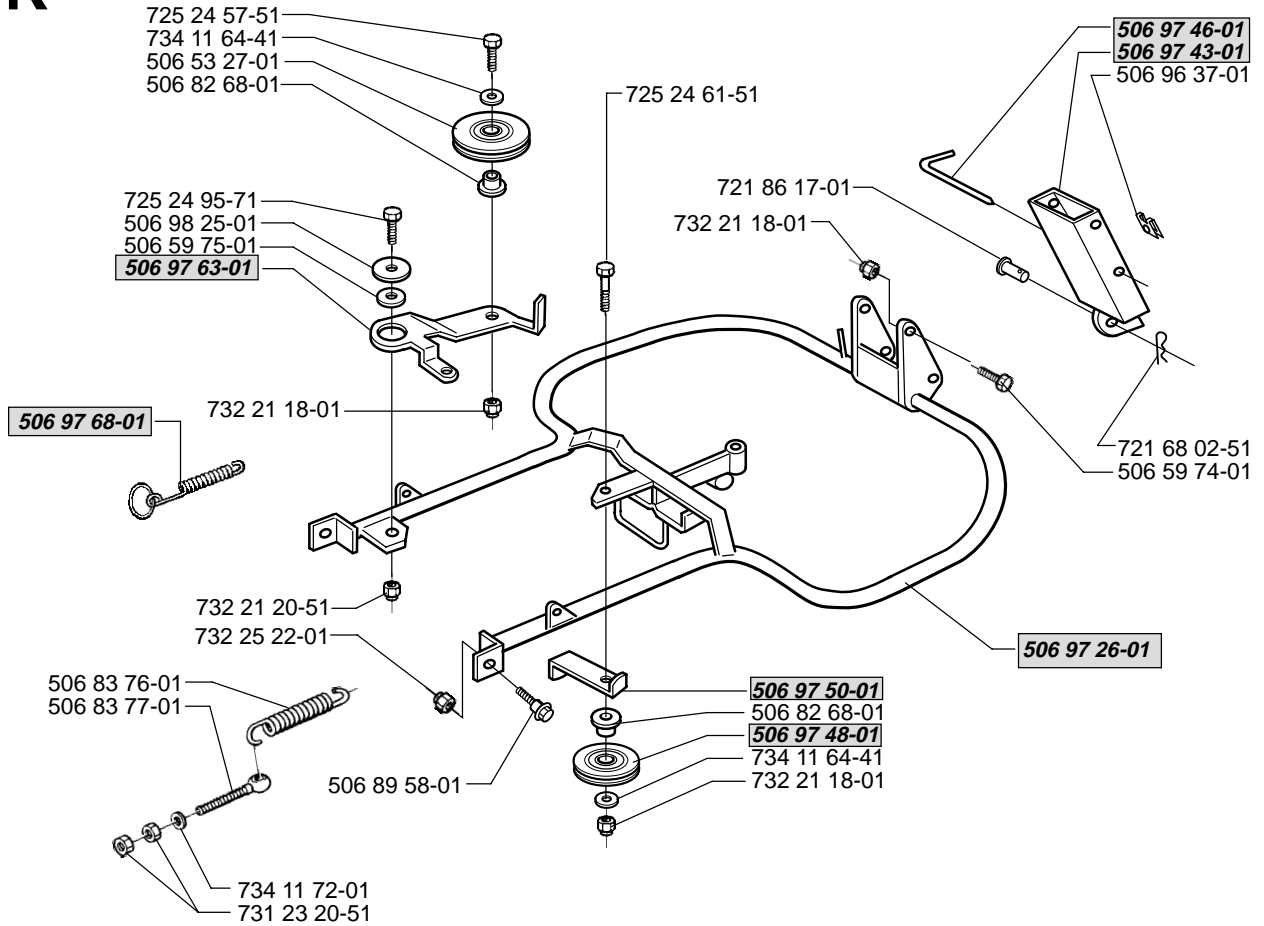


C

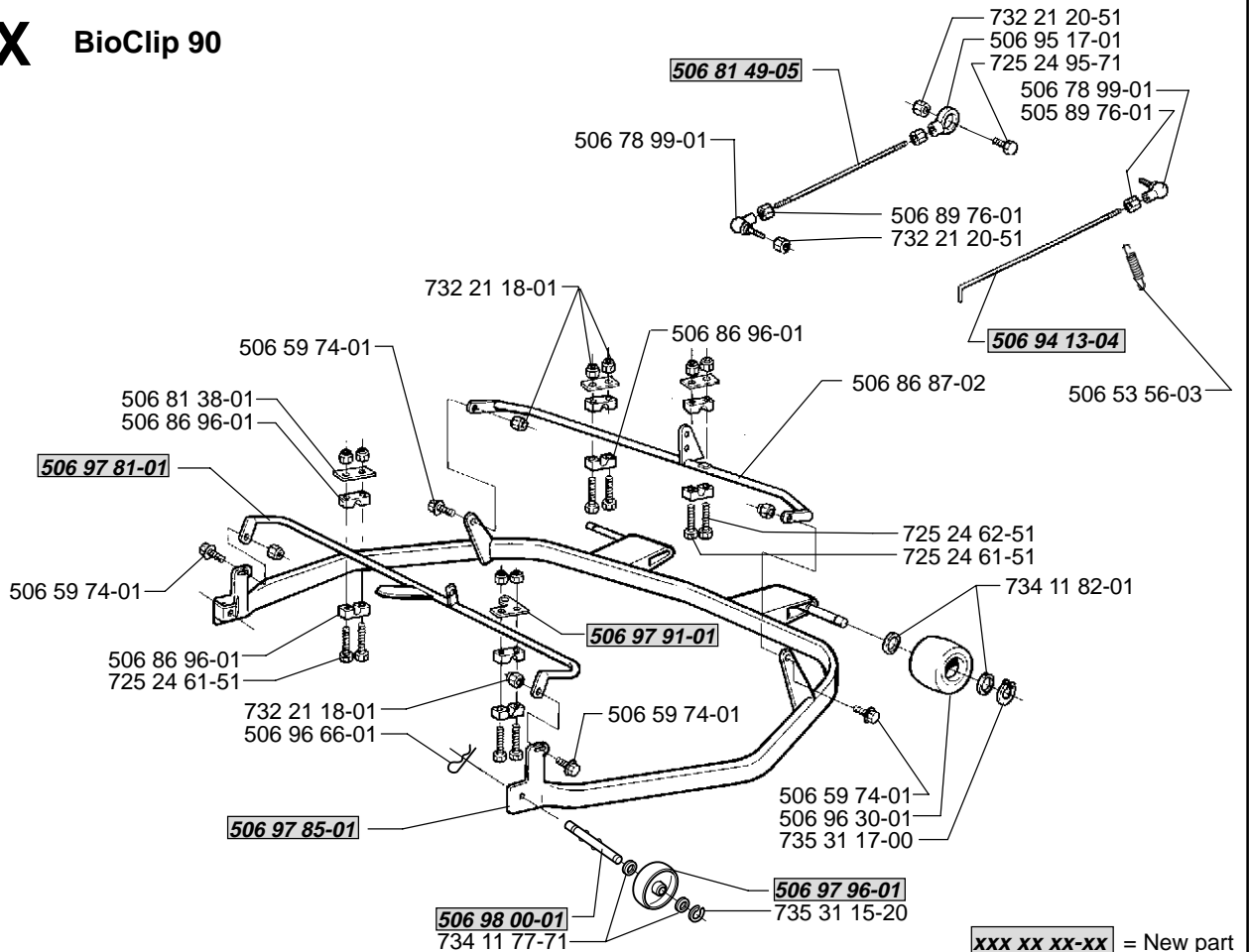


xxx xx xx-xx = New part

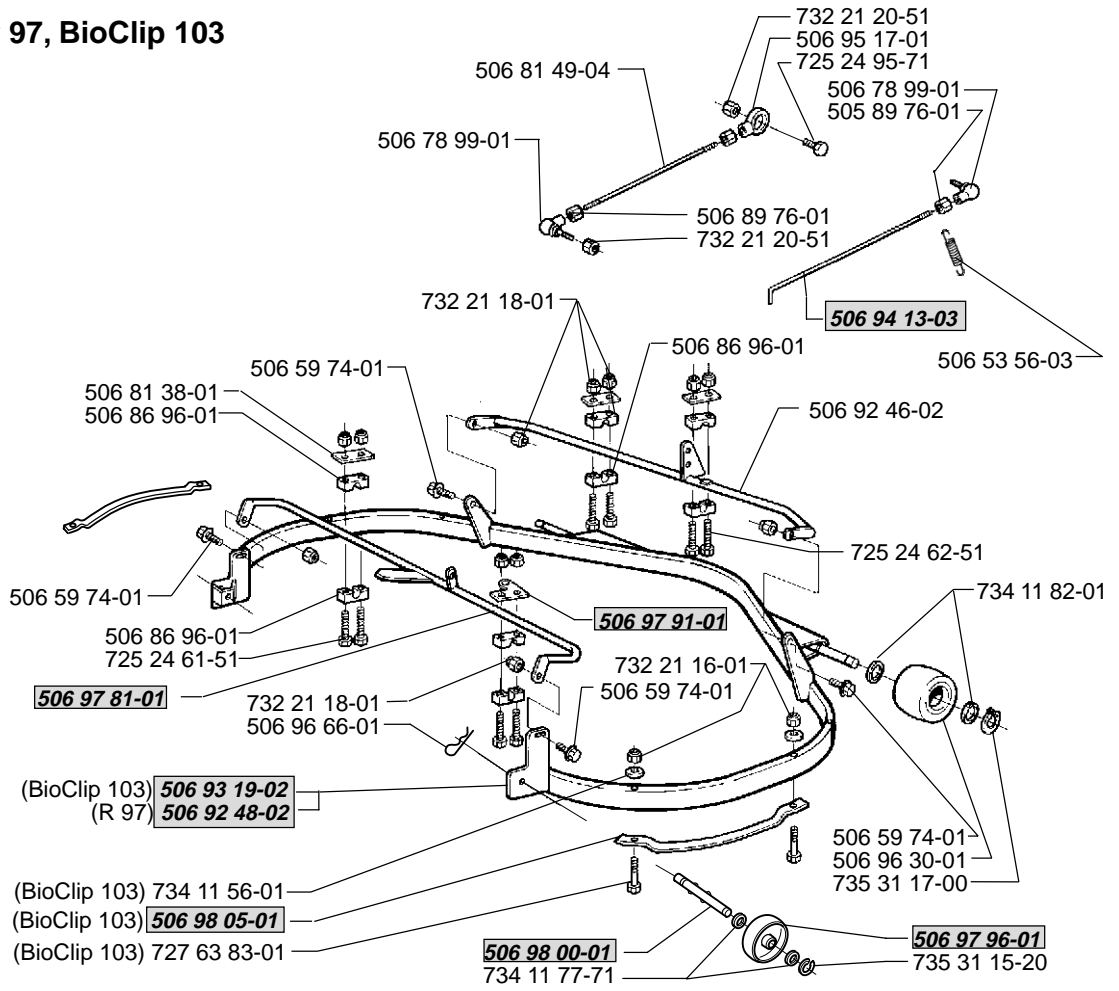
K



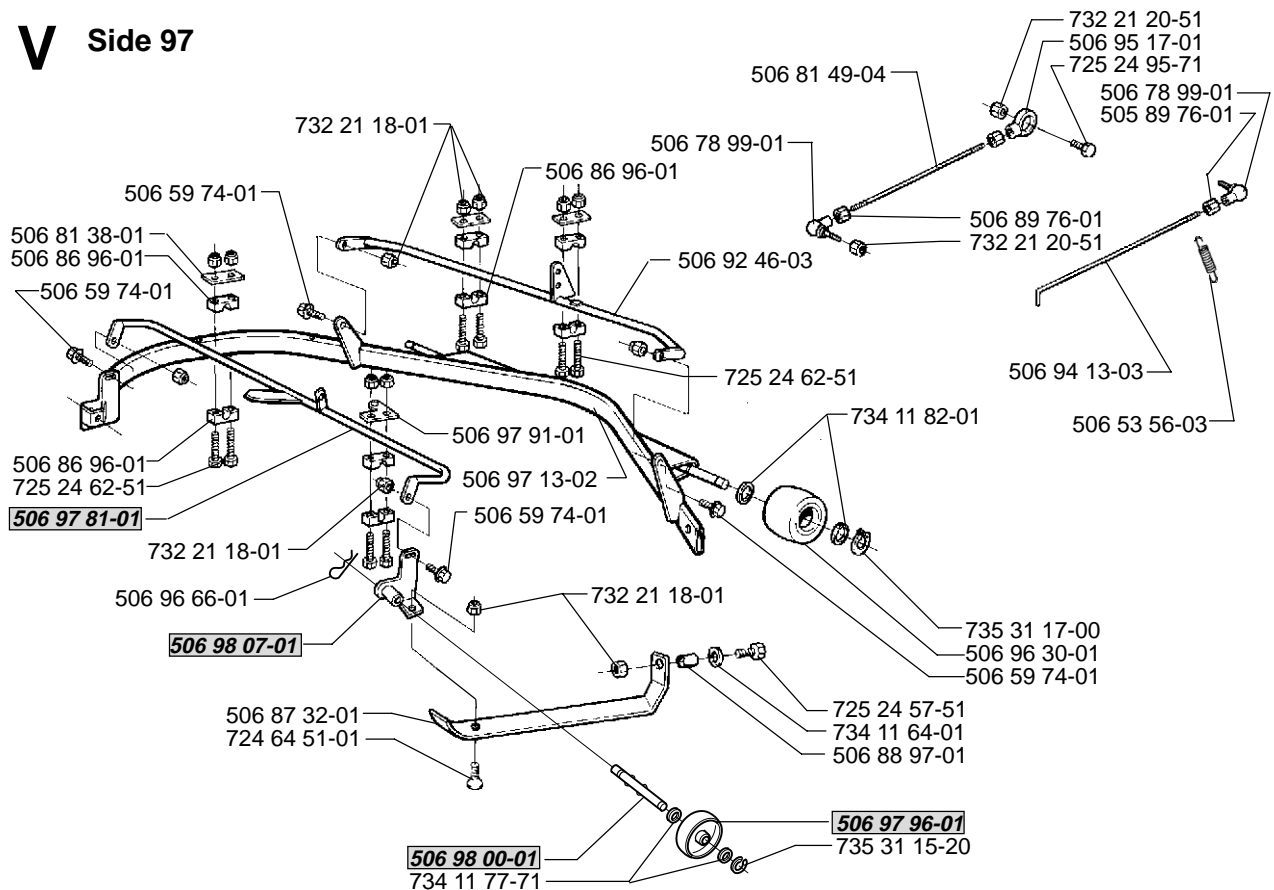
X BioClip 90



T Rear 97, BioClip 103



V Side 97

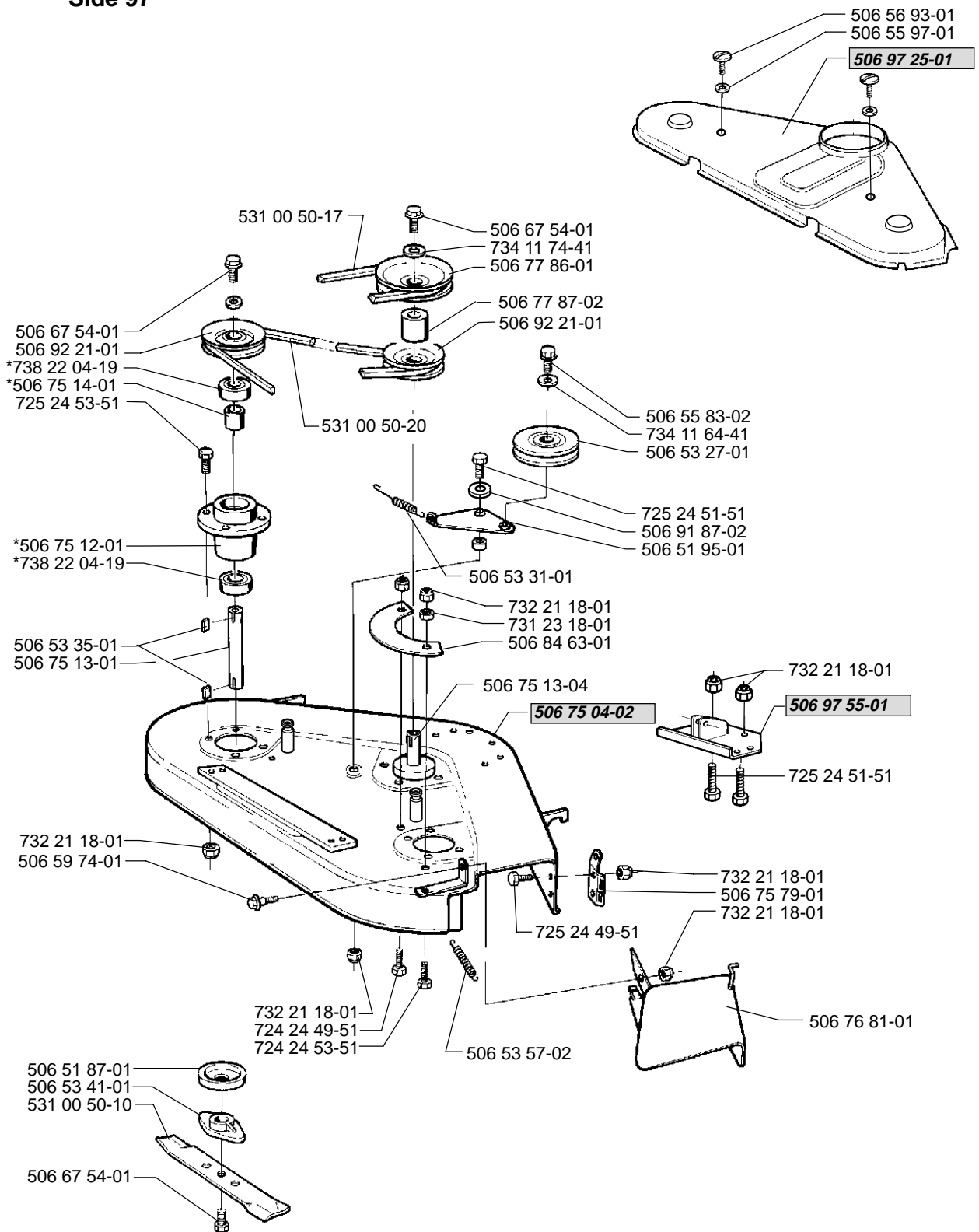


xxx xx xx-xx = New part

U

*compl 506 75 11-01 Yttre. Outer. Exterieur. Äusser. Ulko.
 *compl 506 75 11-04 Mitten. Centre. Centre. Zentrum. Keski.

Side 97

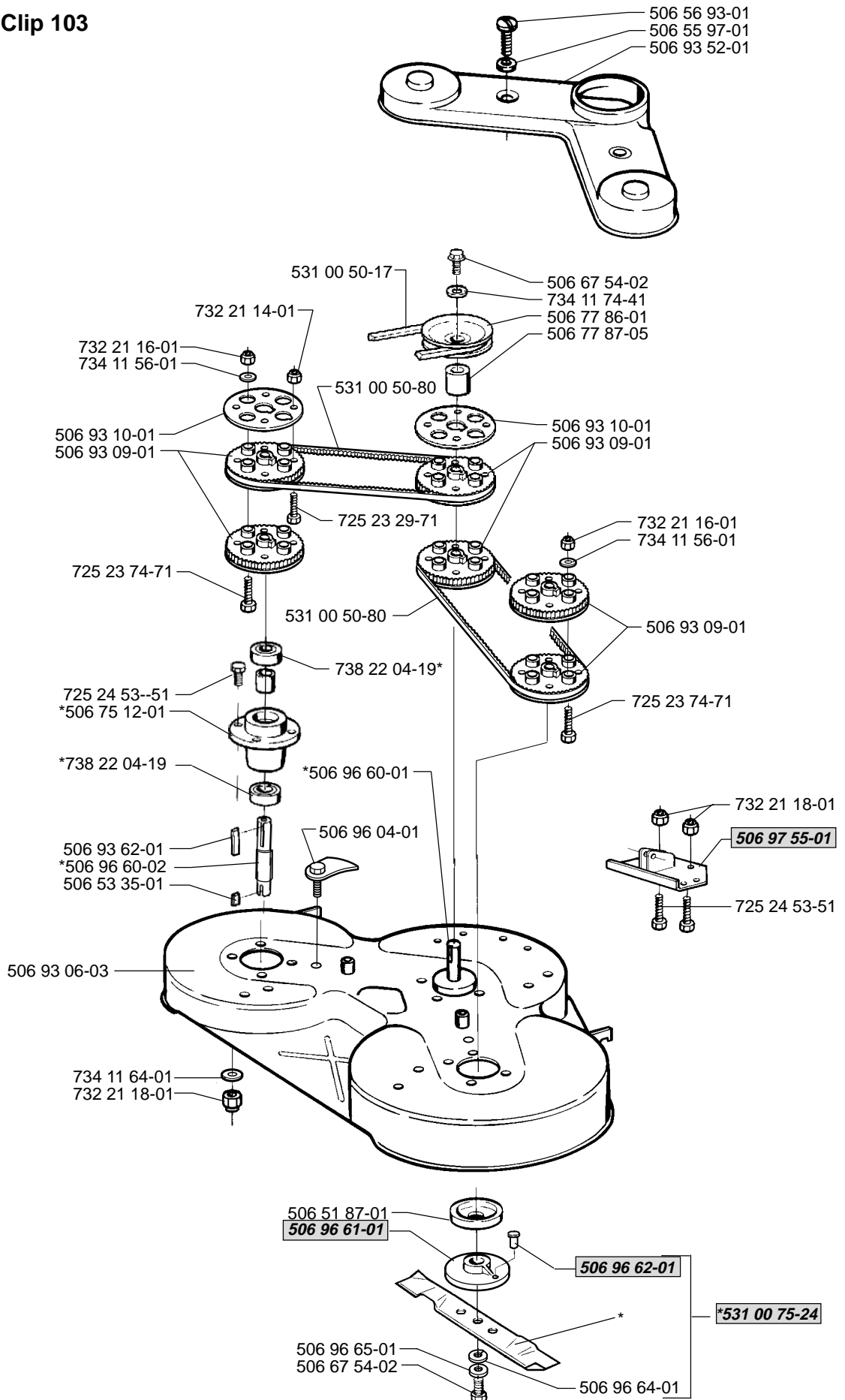


XXX XX XX-XX = New part

S

*compl 506 75 11-07 (a)
*compl 506 75 11-06 (b)

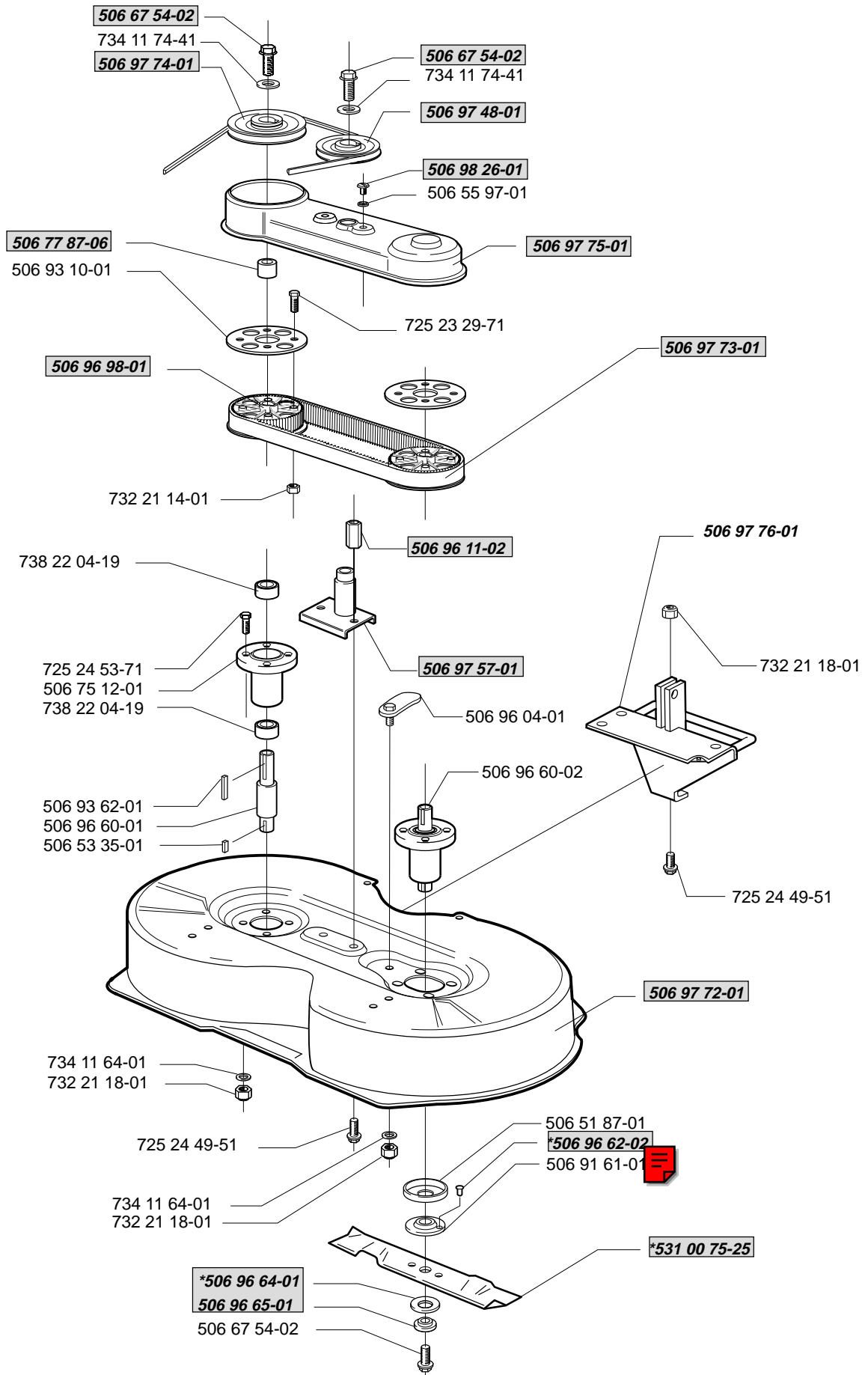
BioClip 103



(a) = Yttre. Outer. Exterior. Äusser. Ulko.
(b) = Mitten. Center. Centre. Zentrum. Keski.

XXX XX XX-XX = New part

Y BioClip 90



xxx xx xx-xx = New part