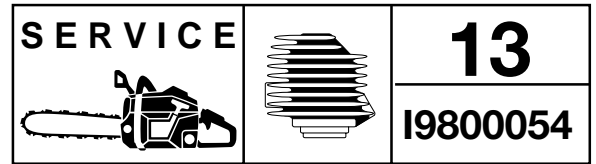


For Husqvarna Parts Call 606-678-9623 or 606-561-4983



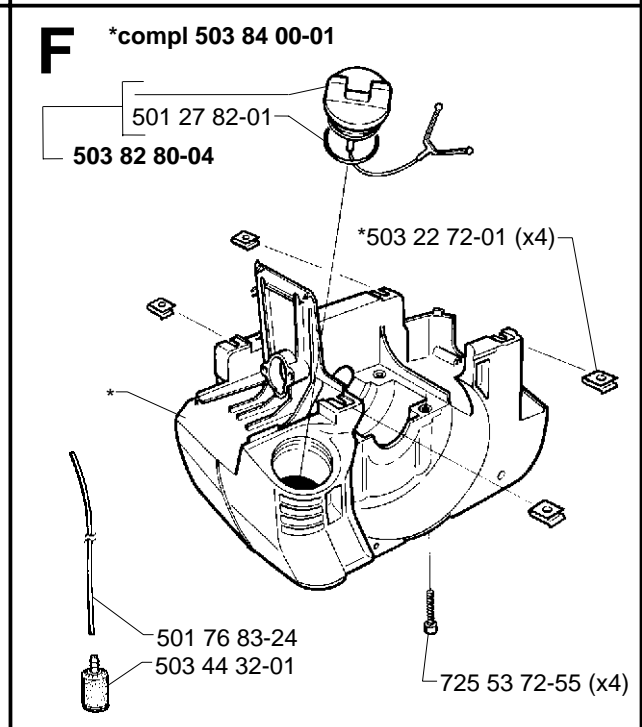
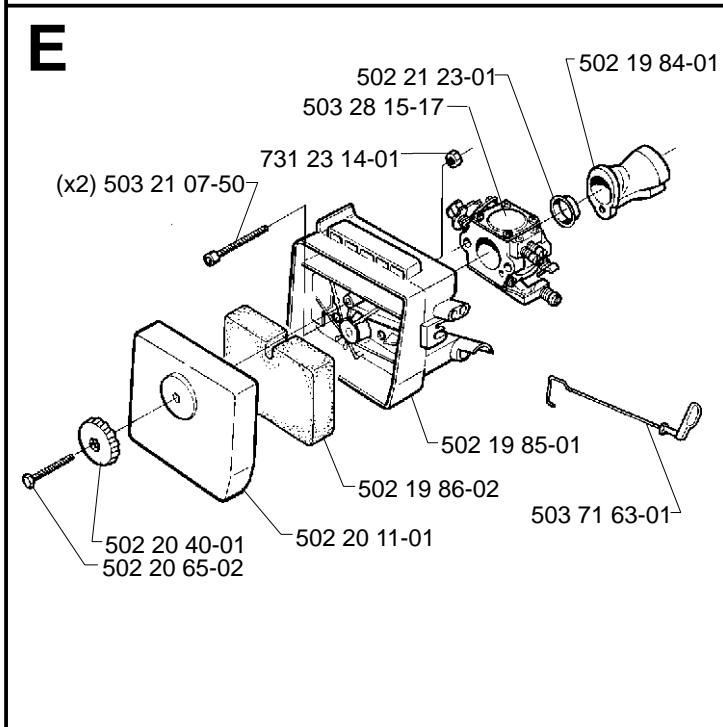
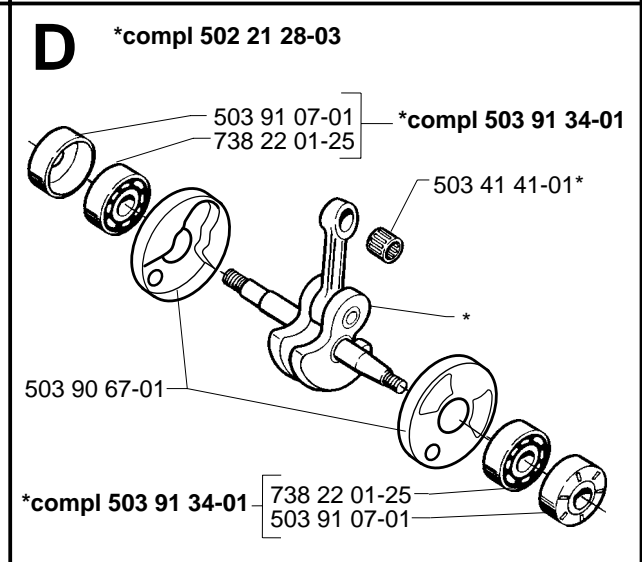
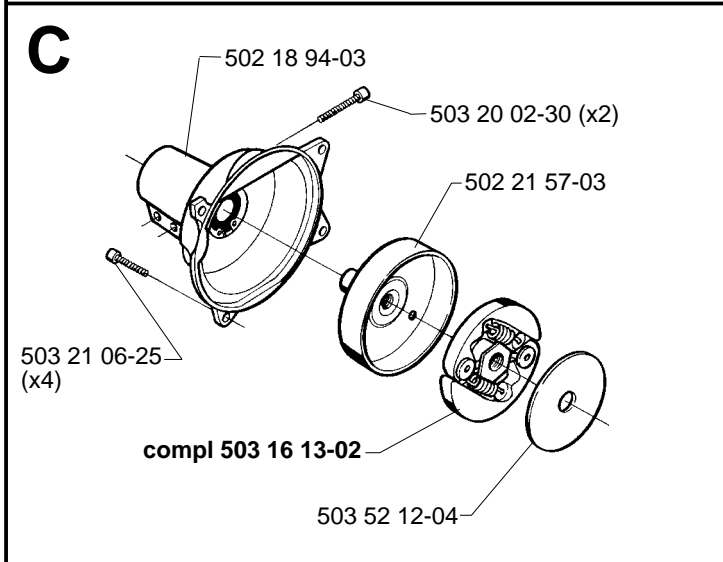
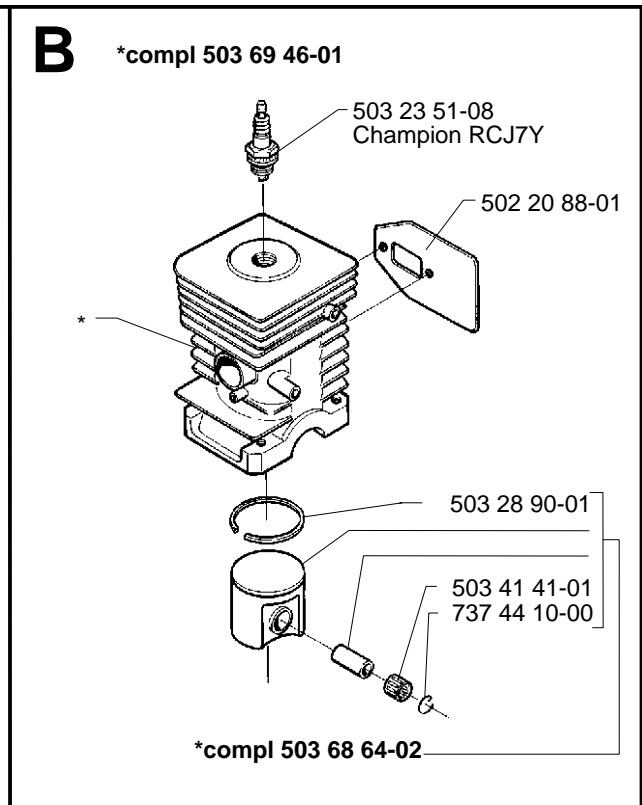
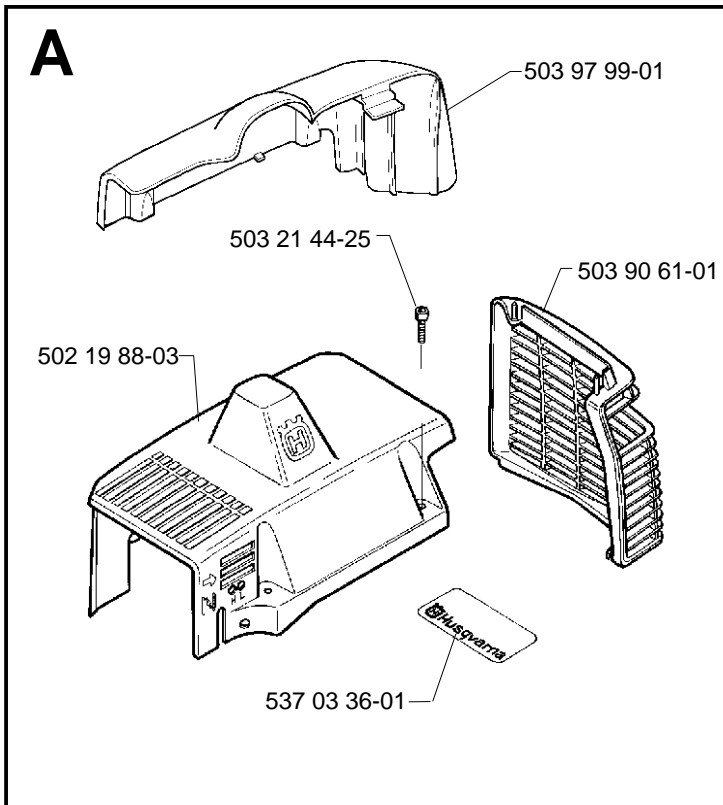
IPL, 240 L, 1998-I I, 106 25 52-61

# 240 L

Spare parts  
Ersatzteile  
Pièces détachées  
Reserve onderdelen  
Repuestos  
Reservdelar

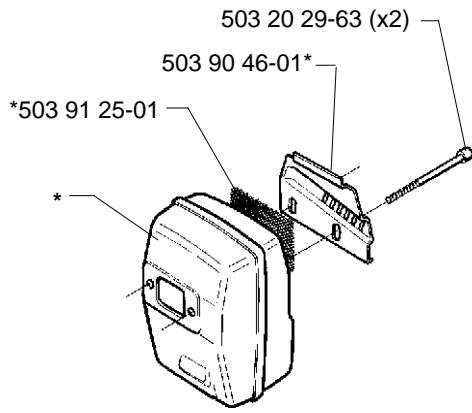
# For Husqvarna Parts Call 606-678-9623 or 606-561-4983

PART NUMBER	SQUARE	NOTE	PART NUMBER	SQUARE	NOTE	PART NUMBER	SQUARE	NOTE	PART NUMBER	SQUARE	NOTE
501 27 82-01		F	503 57 42-01		M	505 31 67-17		M			
501 46 69-01		M	503 68 64-02		B	505 31 67-45		M			
501 46 84-01		M	503 69 46-01		B	505 31 67-54		M			
501 46 85-01		M	503 69 63-01		H	505 31 67-82		M			
501 46 87-01		M	503 69 67-01		H	505 52 01-10		M			
501 48 54-02		J	503 70 07-01		H	505 52 01-25		M			
501 60 02-02		N	503 70 29-02		H	505 52 01-27		M			
501 66 61-01		M	503 70 55-01		H	506 02 81-01		M			
501 66 78-01		M	503 71 43-01		L	530 03 51-73		M			
501 76 83-24		F	503 71 48-01		H	537 00 84-01		K			
502 02 61-01		N	503 71 63-01		E	537 02 76-01		L			
502 10 30-01		M	503 71 82-01		L	537 03 36-01		A		N	
502 10 31-01		M	503 72 12-01		L	725 23 81-51		L			
502 11 46-02		N	503 72 13-01		L	725 53 72-55		F			
502 18 94-03		C	503 72 14-01		L	731 23 14-01		EL			
502 18 95-01		K	503 72 15-01		L	735 31 11-00		H			
502 19 63-01		K	503 72 18-01		L	735 31 25-10		H			
502 19 71-01		L	503 72 24-01		L	735 31 31-10		H			
502 19 84-01		E	503 72 25-01		L	737 44 10-00		B			
502 19 85-01		E	503 72 29-01		L	738 21 99-00		H			
502 19 86-02		E	503 73 42-01		L	738 22 01-19		H			
502 19 88-03		A	503 73 43-01		L	738 22 01-25		D			
502 20 06-01		K	503 73 45-01		L						
502 20 11-01		E	503 74 16-01		N						
502 20 32-03		L	503 74 16-02		N						
502 20 40-01		E	503 74 29-01		N						
502 20 49-01		L	503 74 50-04		N						
502 20 65-02		E	503 75 00-01		L						
502 20 88-01		B	503 75 34-01		H						
502 20-38-01		L	503 77 53-01		K						
502 21 23-01		E	503 77 63-01		N						
502 21 25-33		K	503 78 02-03		L						
502 21 28-03		D	503 78 04-03		L						
502 21 32-01		M	503 78 05-03		L						
502 21 33-01		M	503 79 05-01		J						
502 21 35-01		M	503 79 06-01		J						
502 21 37-01		M	503 79 41-01		L						
502 21 57-03		C	503 79 94-01		N						
502 21 58-01		N	503 81 24-01		J						
502 21 60-01		N	503 81 29-01		J						
502 21 92-04		H	503 82 80-04		F						
502 51 27-01		N	503 84 00-01		F						
503 10 47-01		M	503 85 32-01		H						
503 10 87-01		M	503 86 58-01		J			N			
503 11 70-01		M	503 88 95-01		L						
503 16 13-02		C	503 89 67-01		M						
503 20 02-20		H	503 90 46-01		G						
503 20 02-25		HL	503 90 47-01		G						
503 20 02-30		C	503 90 61-01		A						
503 20 25-16		J	503 90 67-01		D						
503 20 29-63		G	503 91 07-01		D						
503 21 06-16		K	503 91 25-01		G						
503 21 06-25		CK	503 91 34-01		D						
503 21 07-16		N	503 91 39-01		M						
503 21 07-22		L	503 91 40-01		M						
503 21 07-50		E	503 91 51-01		M						
503 21 29-06		K	503 91 54-01		M						
503 21 44-25		A	503 91 57-01		M						
503 22 10-11		J	503 91 58-01		M						
503 22 72-01		F	503 92 23-01		M						
503 23 00-35		K	503 97 99-01		A			N			
503 23 01-01		J	503 99 44-01		M						
503 23 51-08		B	503 99 45-01		M						
503 24 44-01		J	503 99 46-01		M						
503 28 15-17		EM	503 99 47-01		M						
503 28 90-01		B	504 13 08-07		M						
503 41 41-01		BD	504 13 09-06		M						
503 44 32-01		F	504 21 00-49		M						
503 52 12-04		C	504 21 00-50		M						
503 52 42-01		M	505 30 51-25		K						



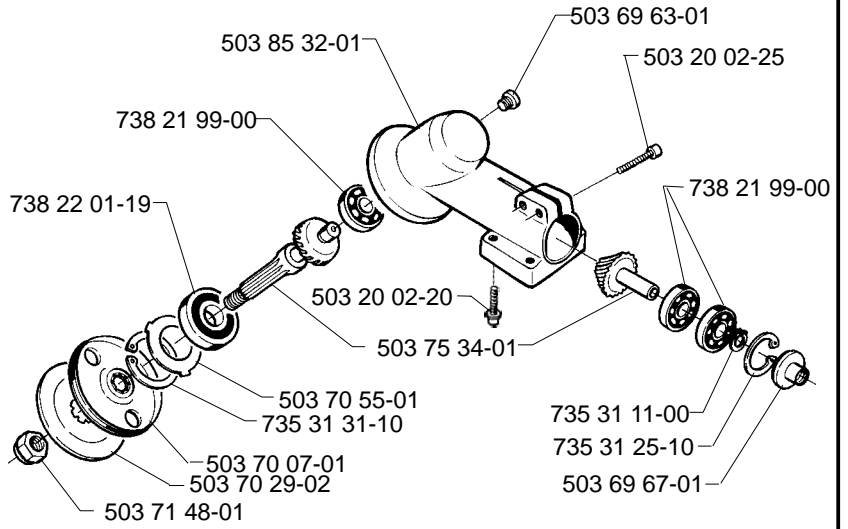
**G**

\*compl 503 90 47-01



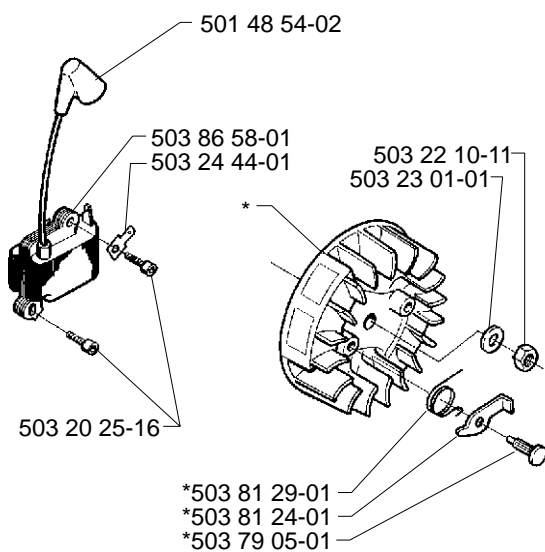
**H**

compl 502 21 92-04



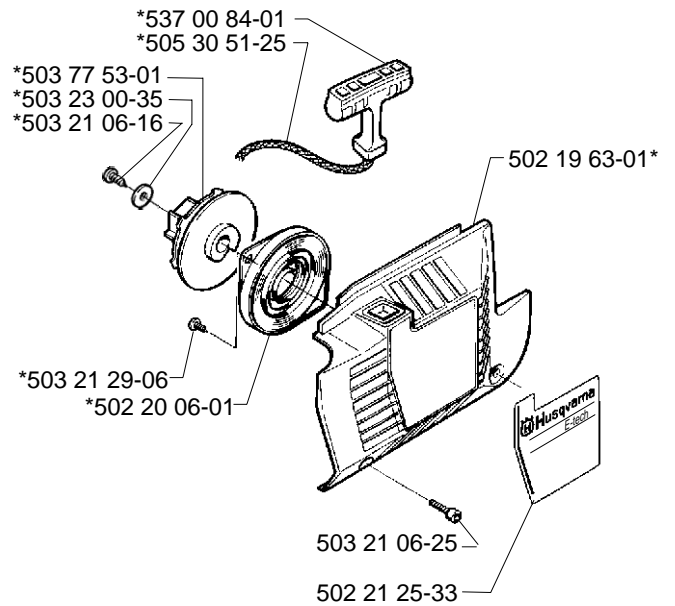
**J**

\*compl 503 79 06-01

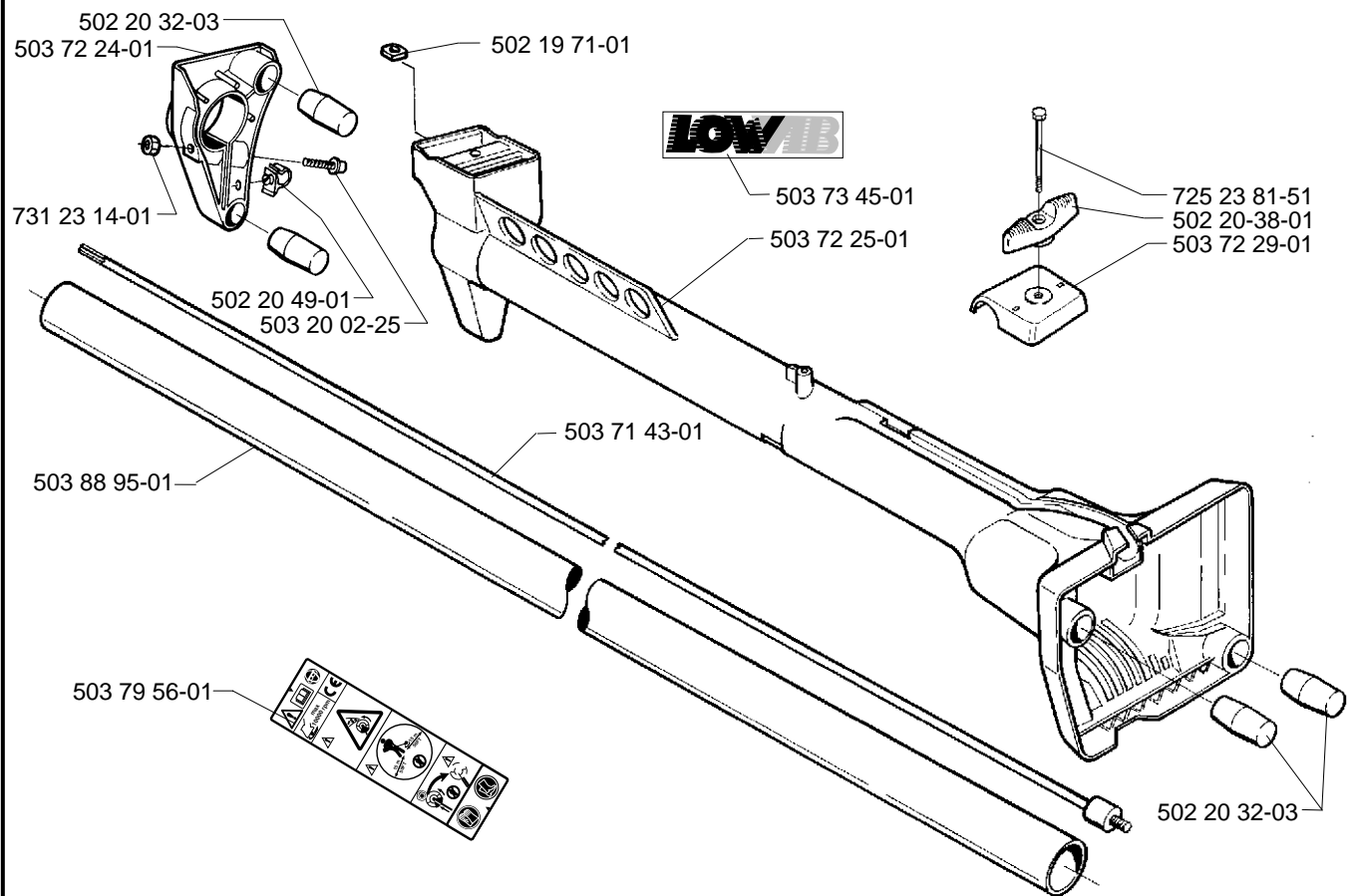
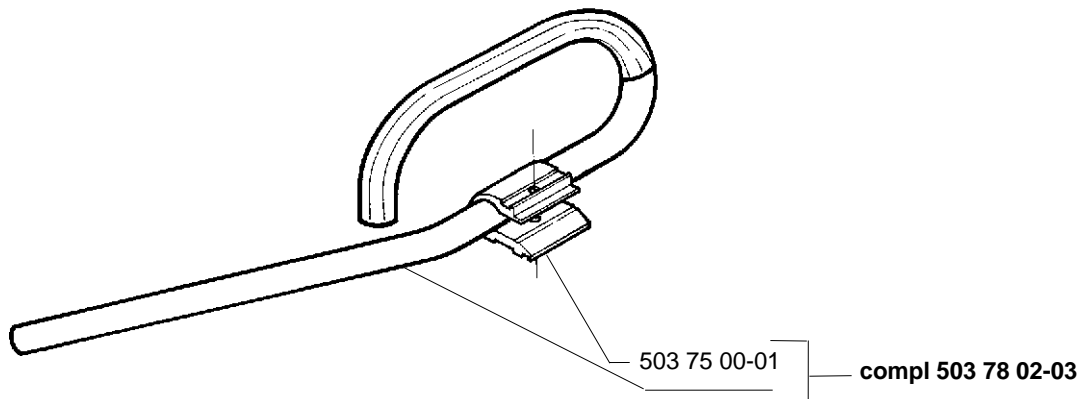
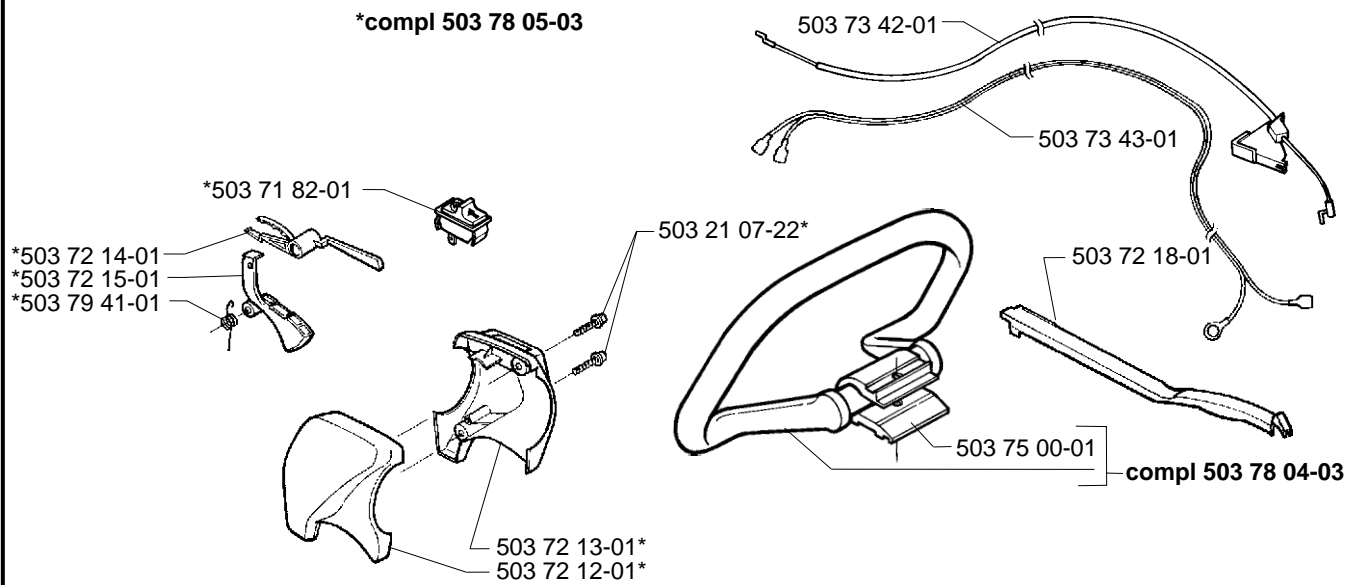


**K**

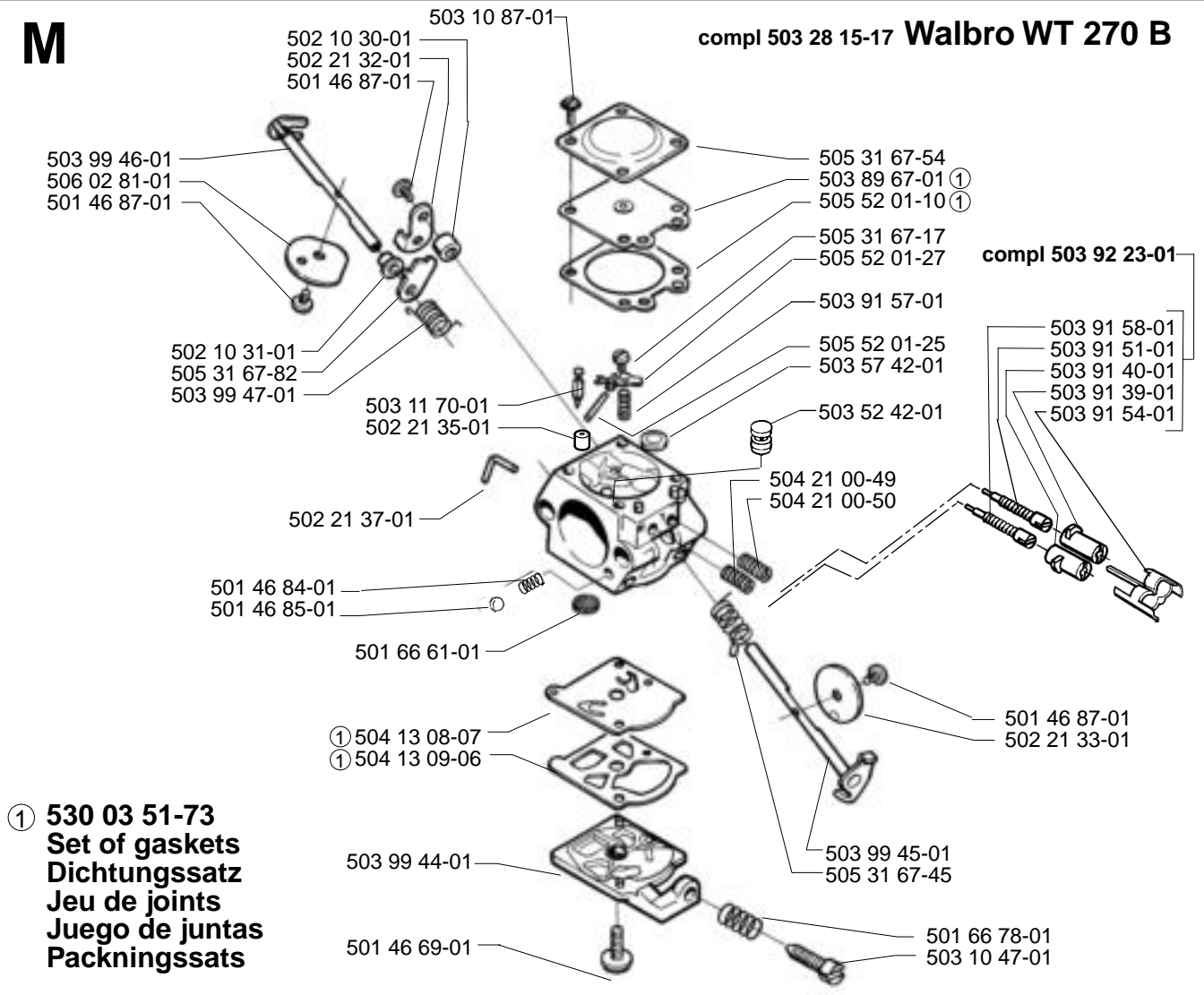
\*compl 502 18 95-01



**L**



**M**



① **530 03 51-73**  
**Set of gaskets**  
**Dichtungssatz**  
**Jeu de joints**  
**Juego de juntas**  
**Packningssats**

**N**

**Accessories**  
**Zubehöre**  
**Accessoires**  
**Acessorios**  
**Tillbehör**

