



For Husqvarna Parts Call 606-678-9623 or 606-561-4983



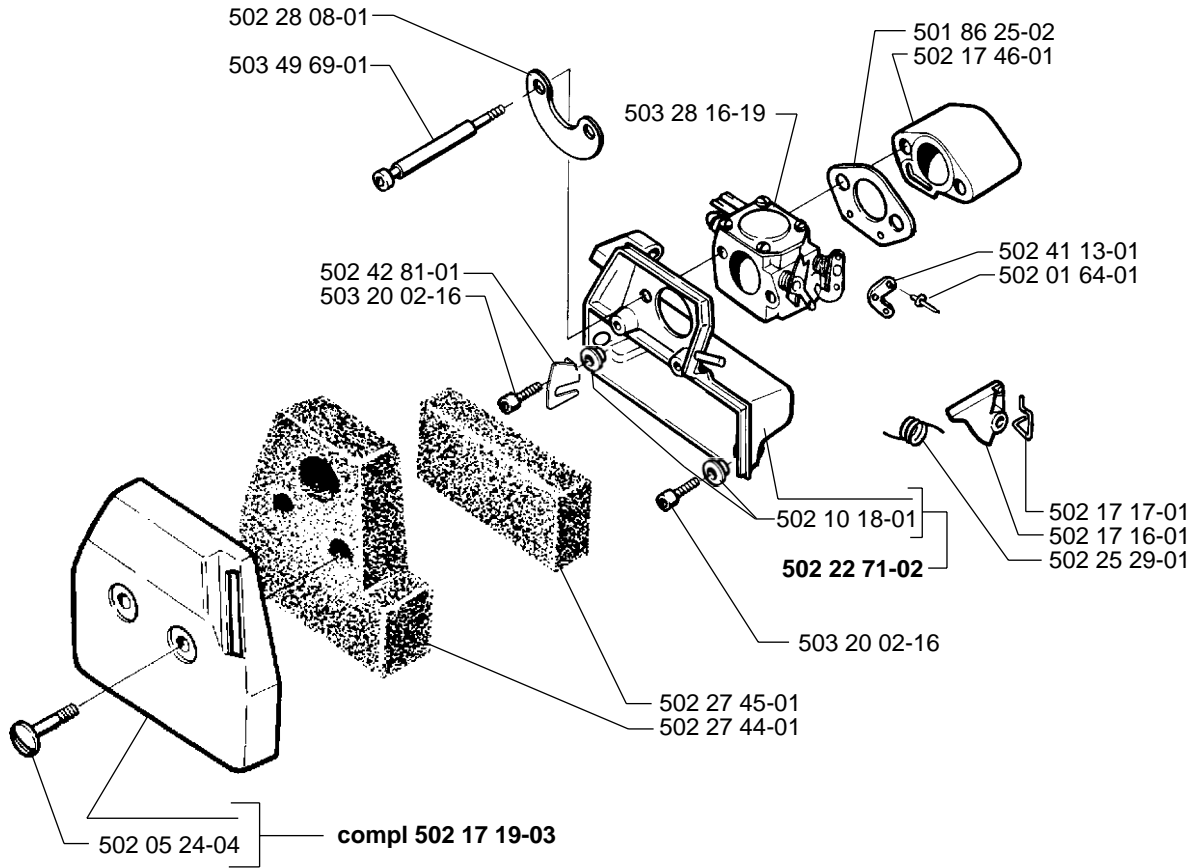
SERVICE 		14 I9800088
---	--	----------------

IPL, 250 PS, I998-10, I06 25 45-61

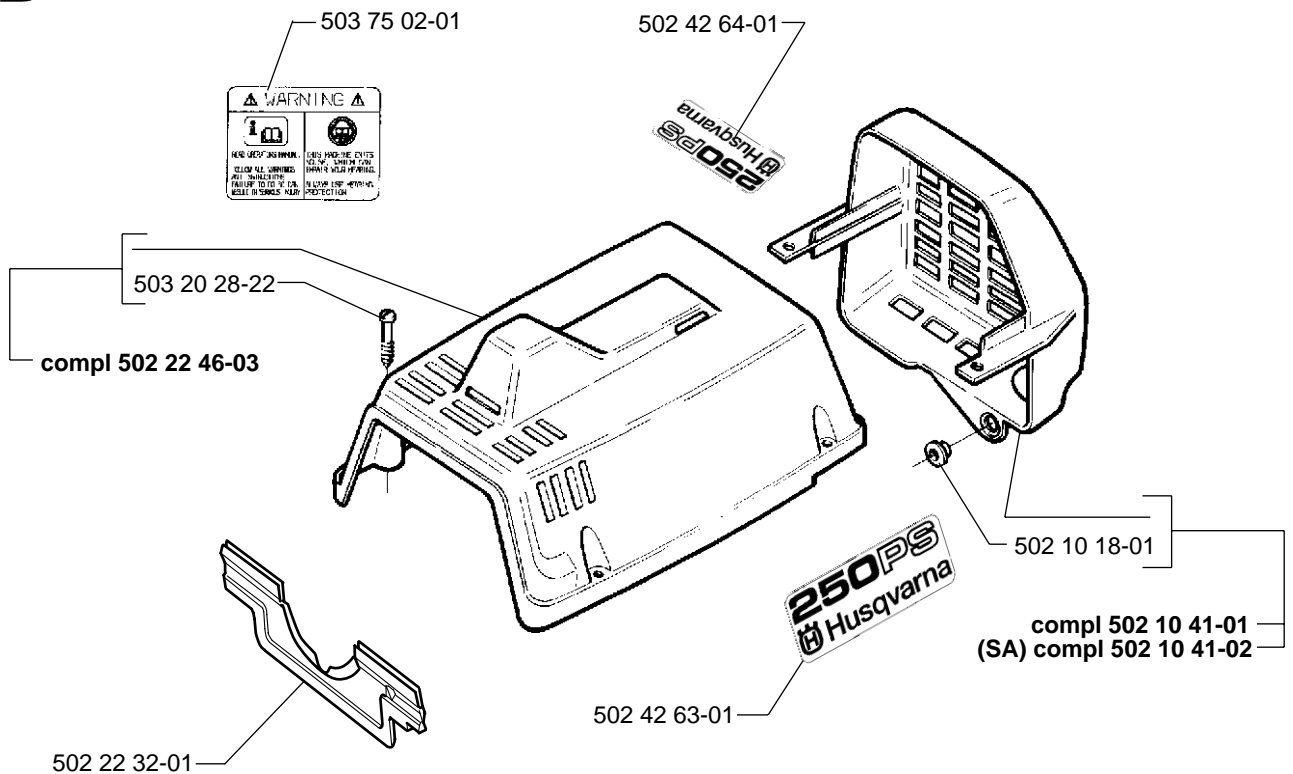
250PS

Spare parts
Ersatzteile
Pièces détachées
Reserve onderdelen
Repuestos
Reservdelar

A

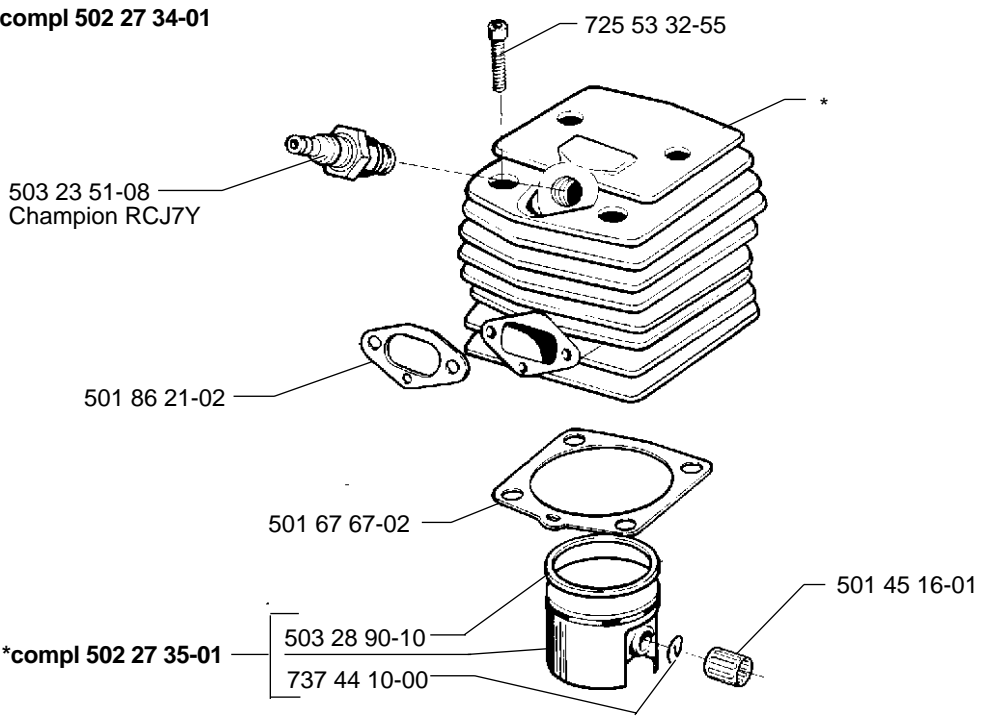


B



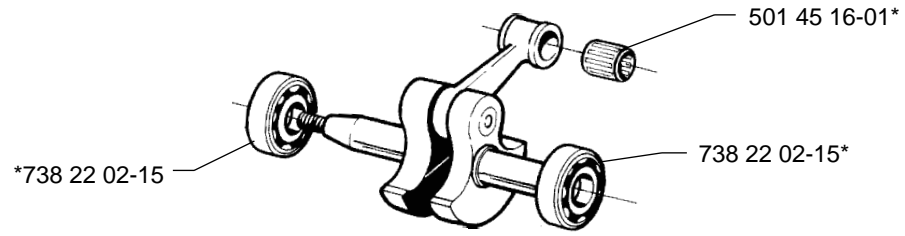
C

*compl 502 27 34-01



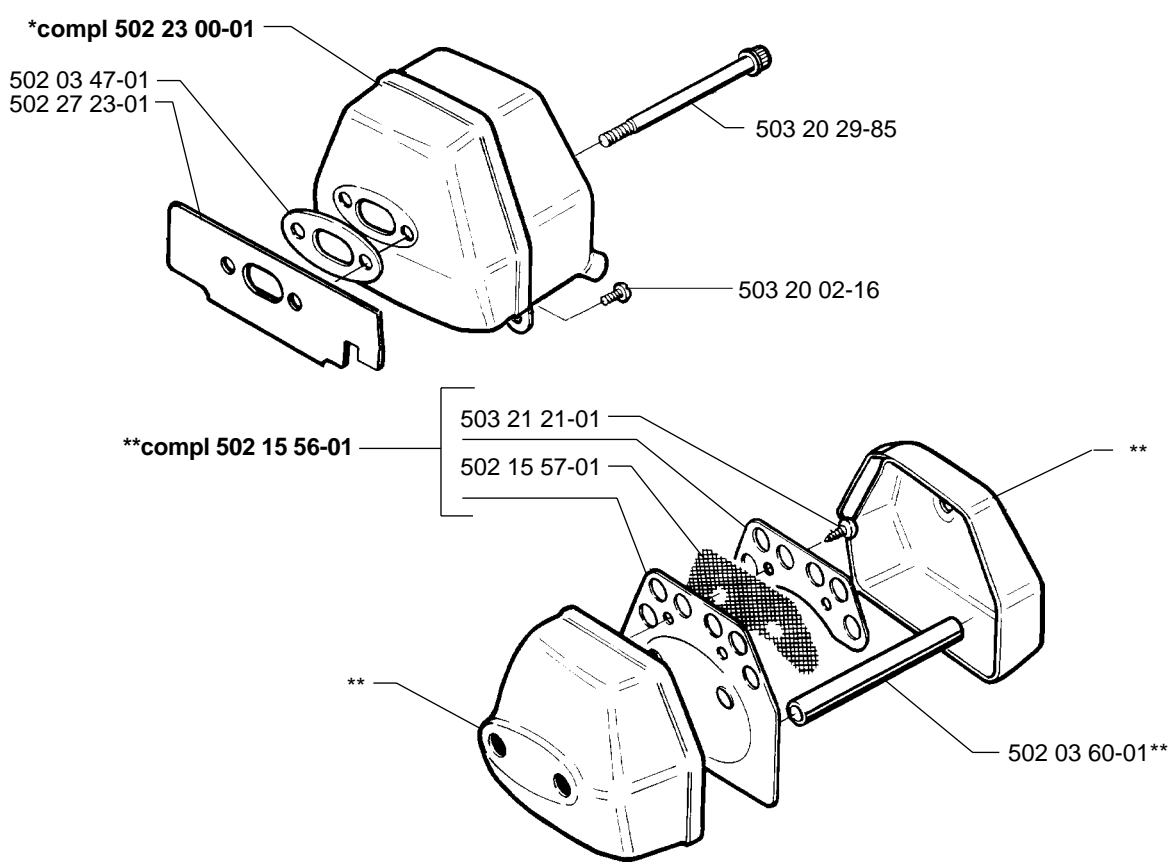
E

*compl 502 05 08-74



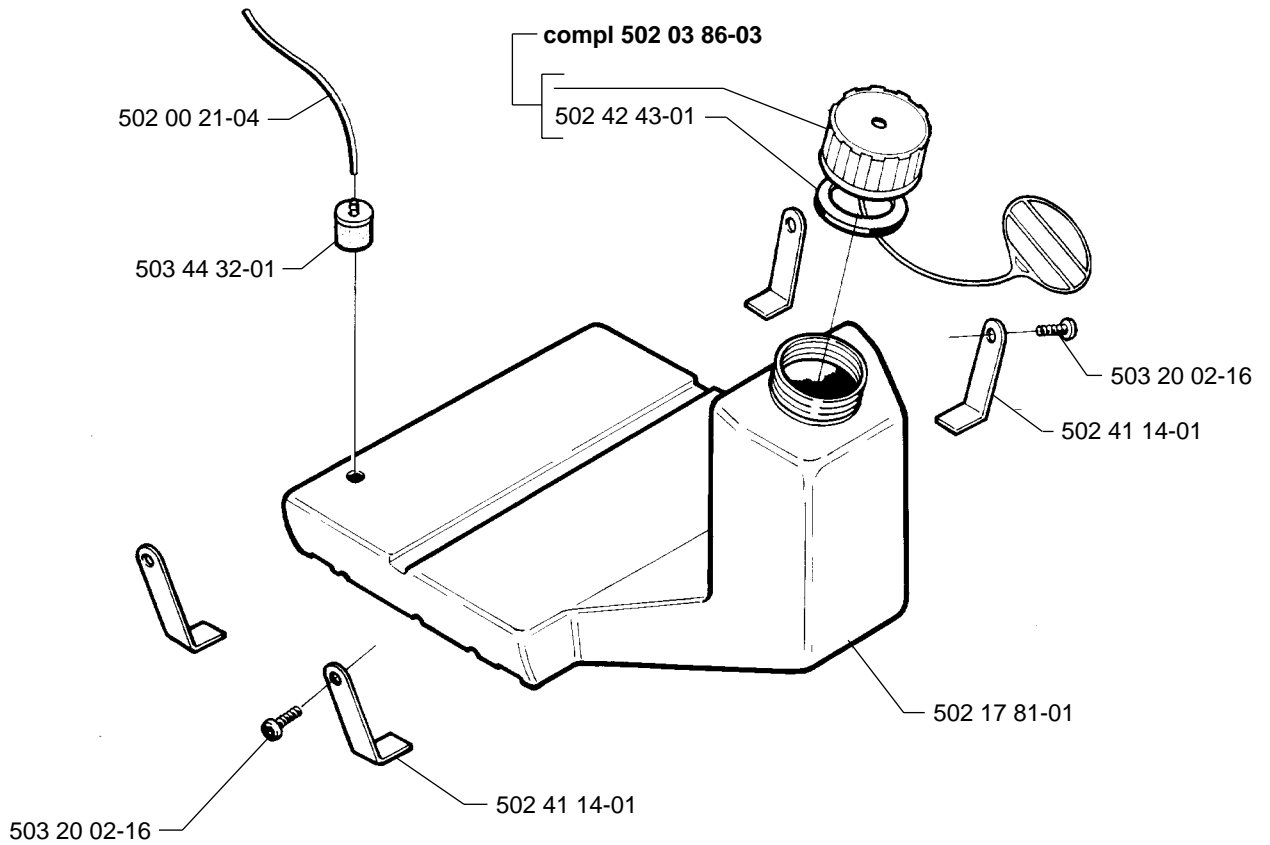
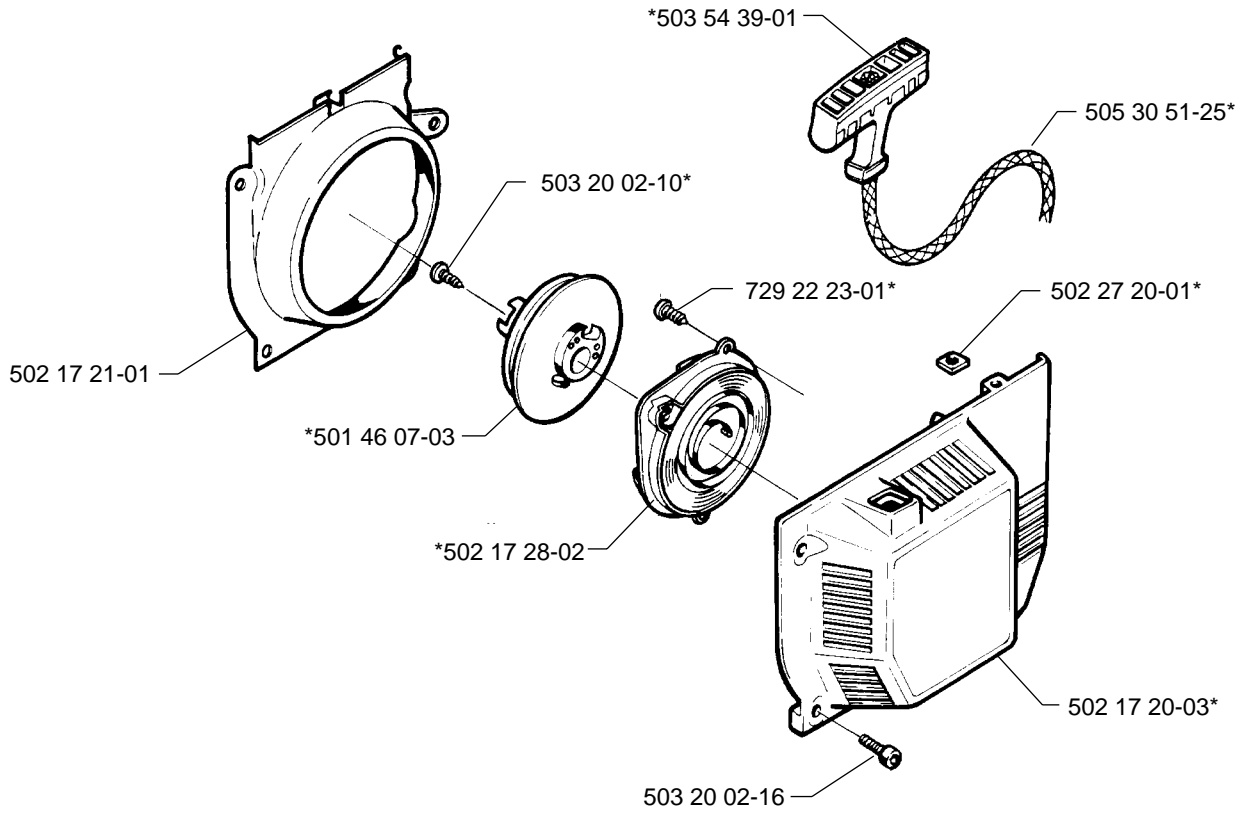
D

**compl 502 15 52-02 (SA)

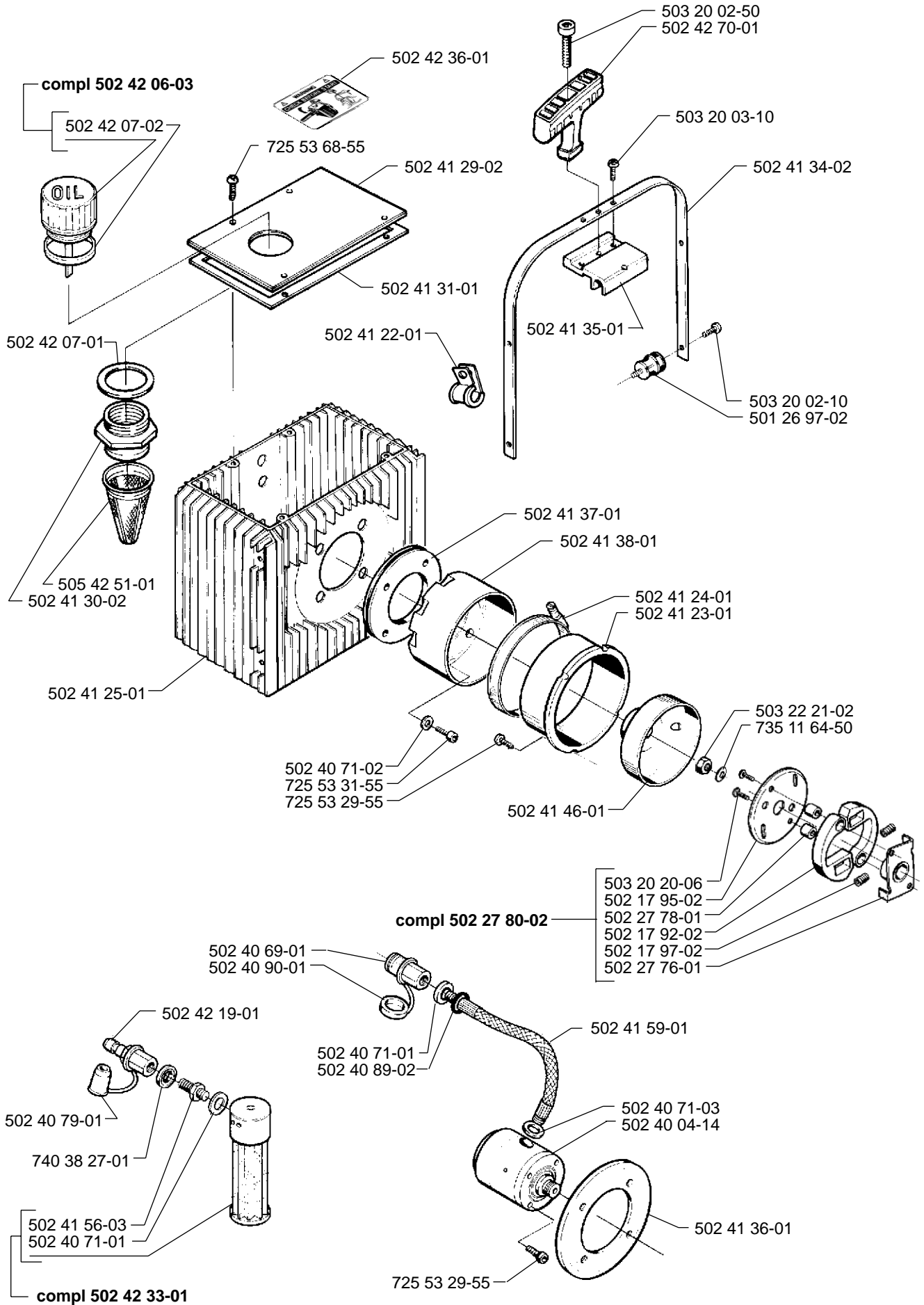


F

*compl 502 26 30-01

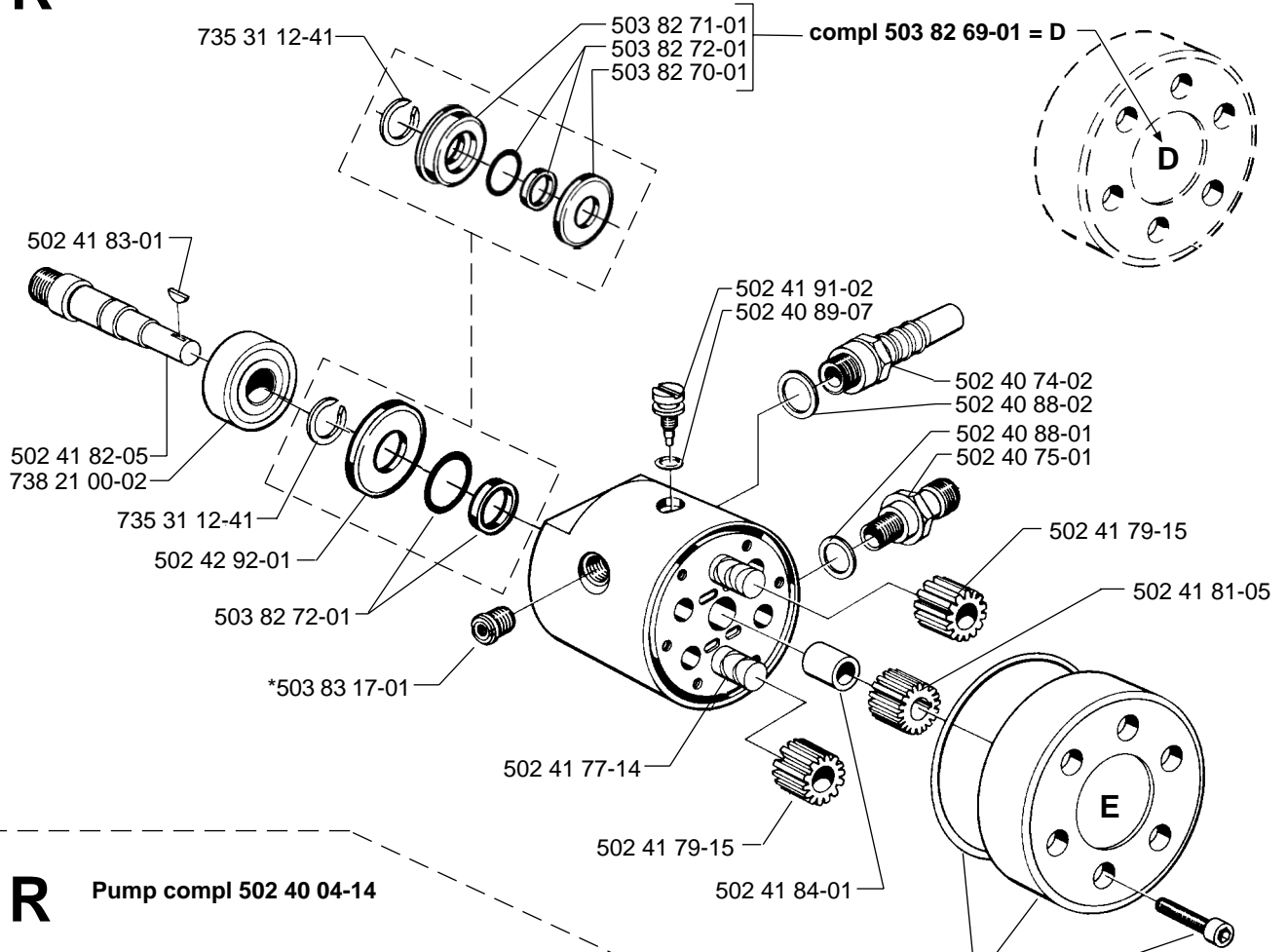


G



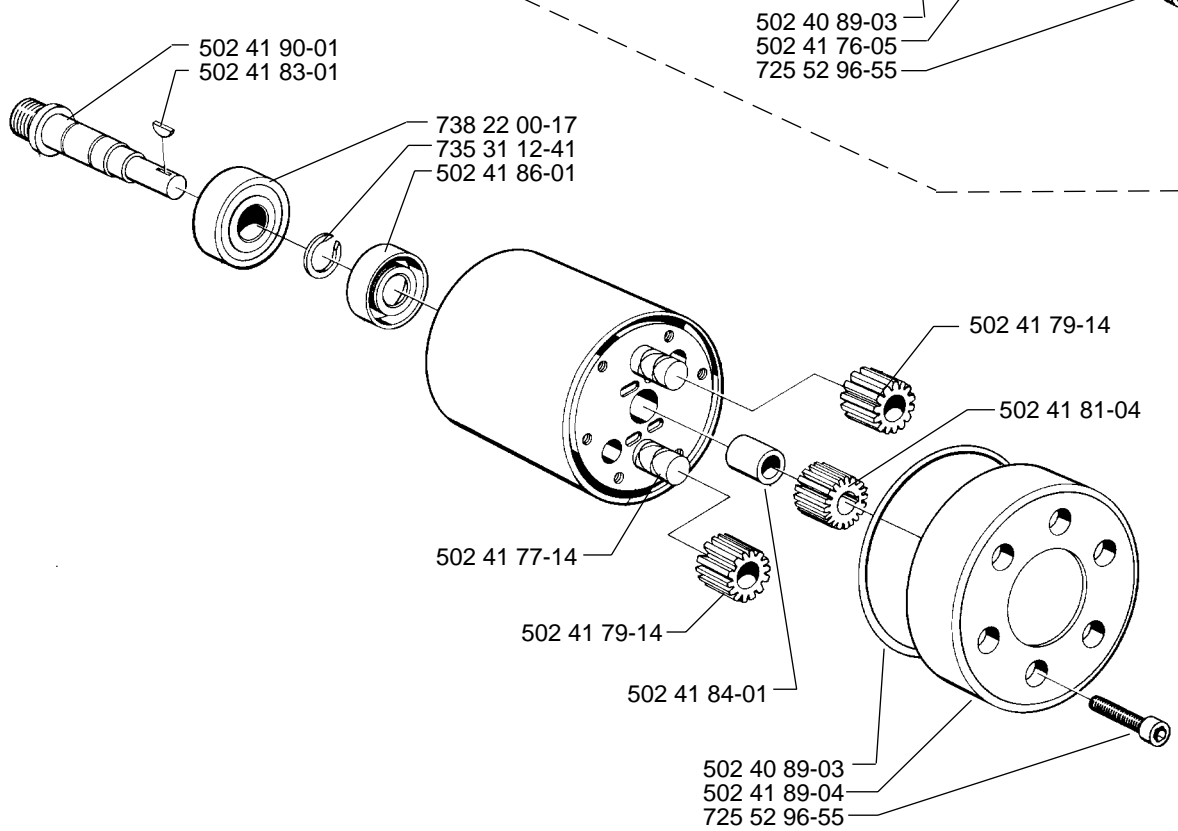
R

Motor compl 502 40 03-15



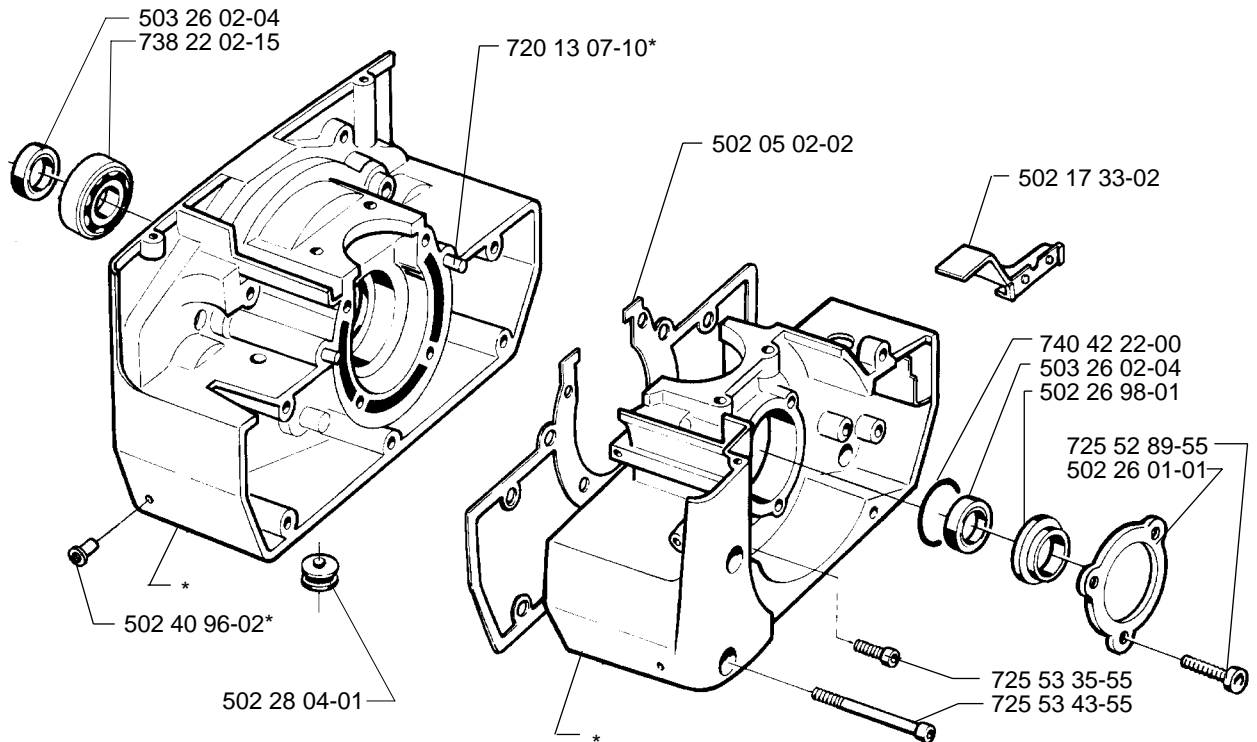
R

Pump compl 502 40 04-14

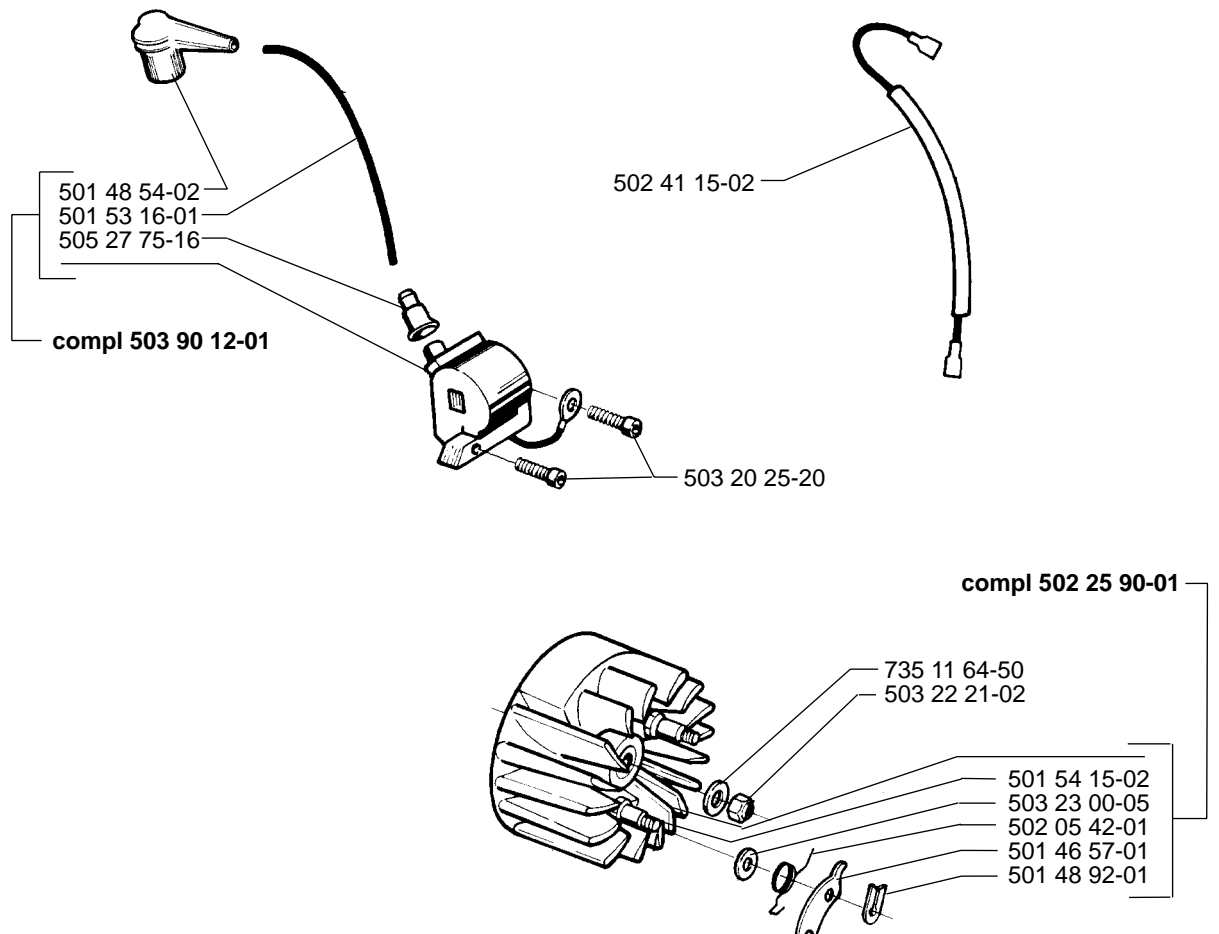


H

*compl 502 41 20-02

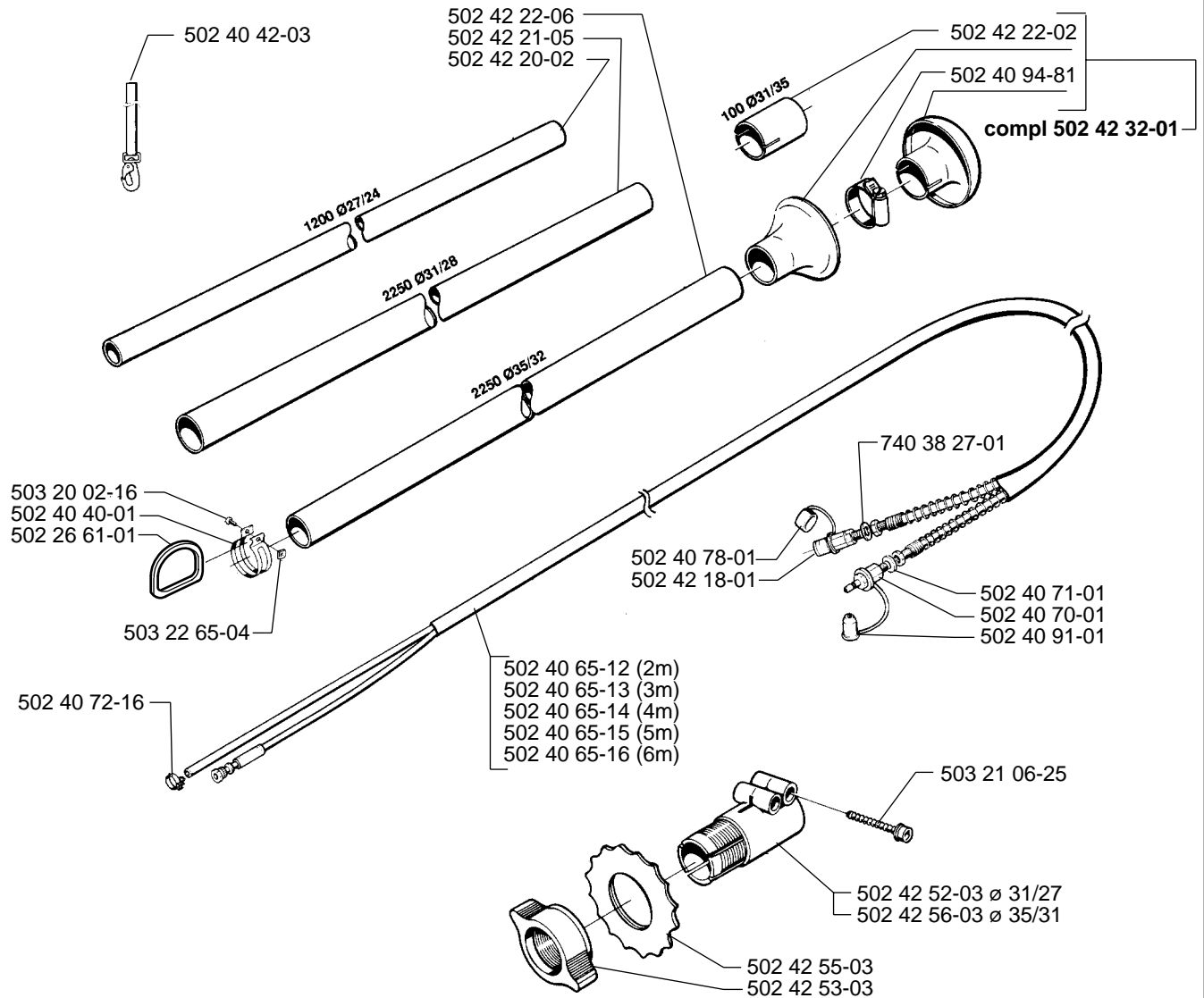
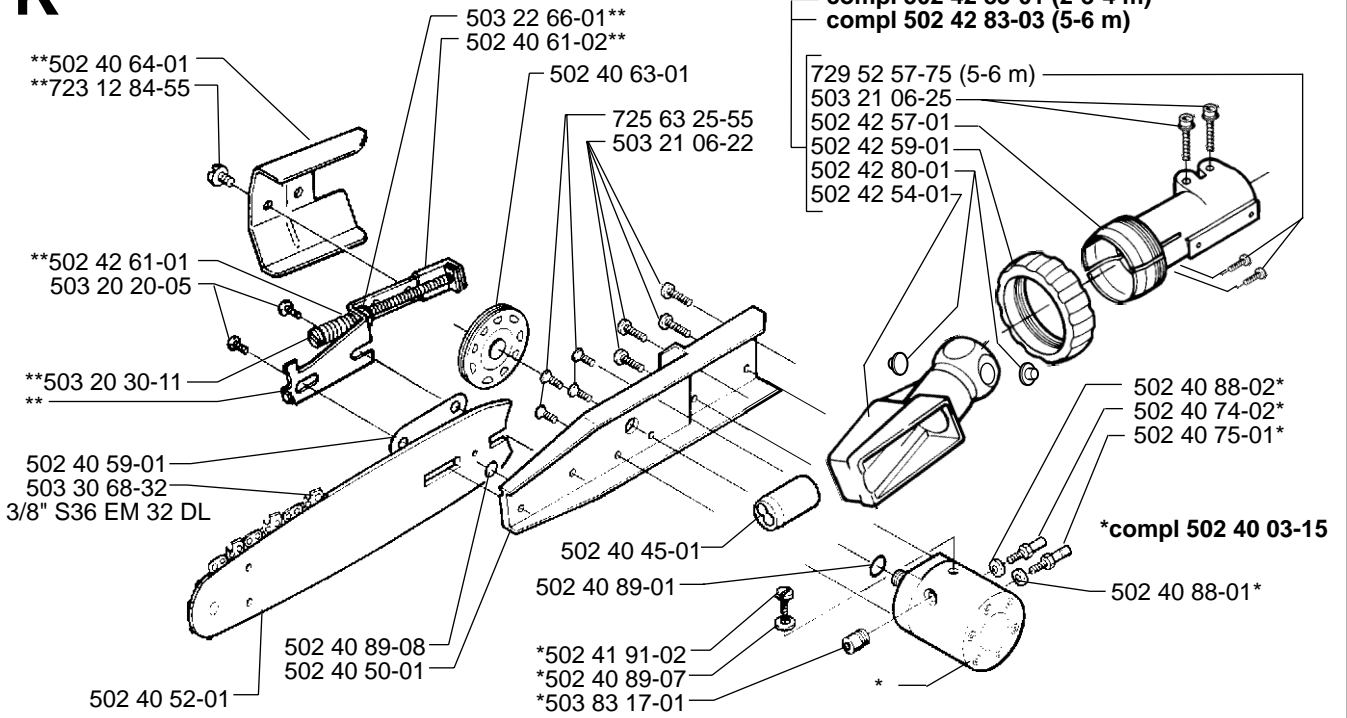


J



K

****compl 502 40 60-01**



L

*compl 502 41 00-03

*502 41 05-01
*732 21 14-01

*502 41 05-01
*732 21 14-01

729 52 26-71*
503 20 02-20

729 52 30-71*
729 52 26-71*

*502 41 02-04
*502 41 01-04

502 41 05-01*
503 20 02-20

729 52 26-71*

compl 502 42 86-01*

* 502 41 48-01

503 71 82-01*

*502 41 03-02
*502 41 06-01

502 41 04-01*

502 14 44-01*

502 42 76-02*

502 25 40-01*
734 11 36-41*

M

compl 502 40 08-02

503 75 62-01

503 23 00-24
725 53 67-01

503 75 63-01

503 85 85-01
503 85 84-01

502 41 69-02
501 26 97-02

503 75 64-01

502 00 61-01

503 20 02-10
725 53 64-01

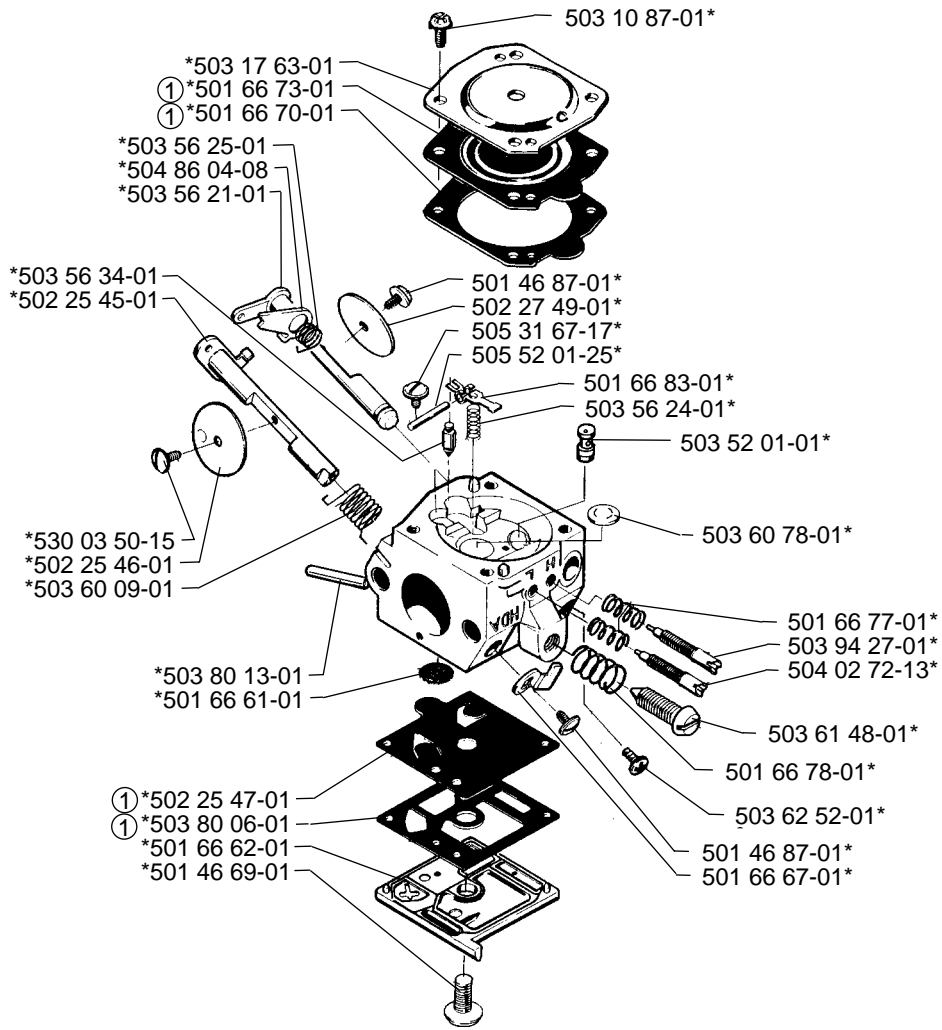
502 12 33-01

503 75 64-01

N

*compl 503 28 16-19

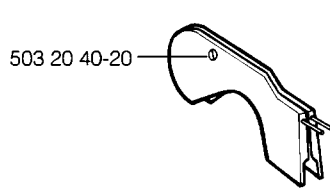
Walbro HDA-142



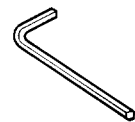
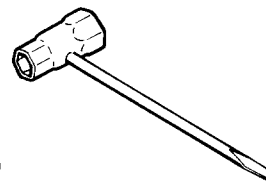
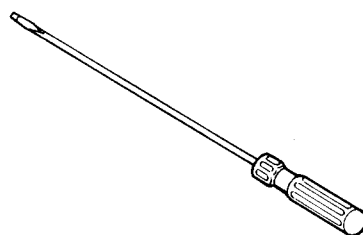
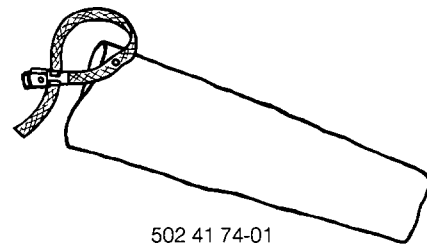
- ① 531 00 45-21
 Set of gaskets
 Dichtungssatz
 Jeu de joints
 Juego de juntas
 Packningssats

O

**Accessories
 Zubehöre
 Accessoires
 Accesorios
 Tillbehör**

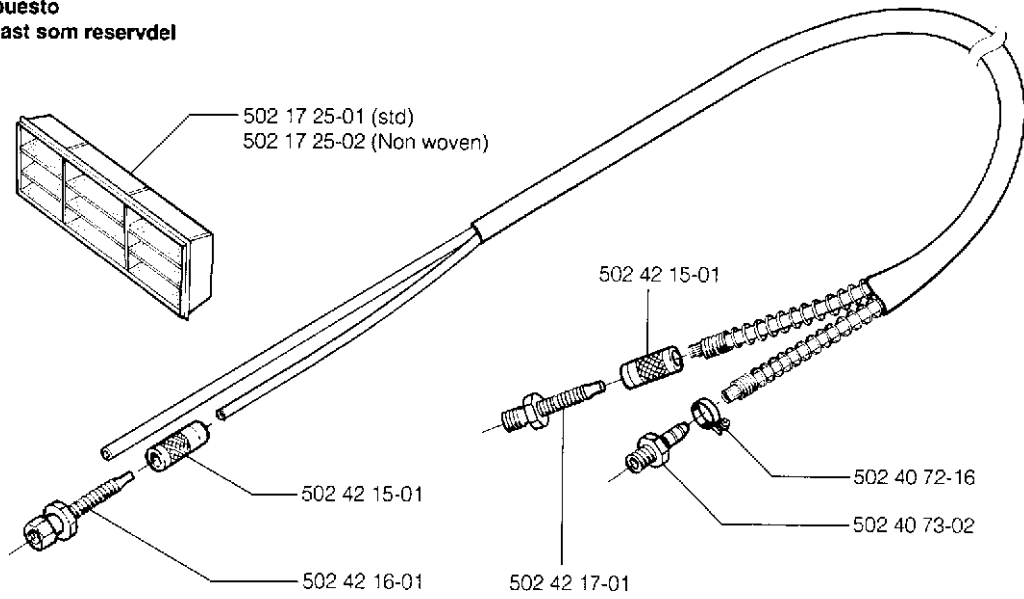


compl 502 40 84-01



P

Delivery as spare part only
Nur als Ersatzteil lieferbar
Livable seulement comme pièce de rechange
Solo como repuesto
Leveras endast som reservdel



For Husqvarna Parts Call 606-678-9623 or 606-561-4983

PART NUMBER	SQUARE	NOTE	PART NUMBER	SQUARE	NOTE	PART NUMBER	SQUARE	NOTE	PART NUMBER	SQUARE	NOTE
501 26 97-02	GM		502 27 44-01	A		502 41 48-01	L		503 23 00-05	J	
501 45 16-01	C,E		502 27 45-01	A		502 41 56-03	G		503 23 00-24	M	
501 46 07-03	F		502 27 49-01	N		502 41 59-01	G		503 23 51-08	C	
501 46 57-01	J		502 27 76-01	G		502 41 69-02	M		503 26 02-04	H	
501 46 69-01	N	N	502 27 78-01	G	N	502 41 74-01	O		503 28 16-19	AN	N
501 46 87-01	N		502 27 80-02	G	N	502 41 76-05	R	N	503 28 90-10	C	
501 48 54-02	J		502 28 04-01	H	N	502 41 77-14	R		503 30 68-32	K	N
501 48 92-01	J		502 28 08-01	A		502 41 79-14	R		503 44 32-01	F	
501 53 16-01	J		502 40 03-15	KR		502 41 79-15	R		503 49 69-01	A	
501 54 15-02	J		502 40 04-14	GR		502 41 81-04	R		503 52 01-01	N	N
501 66 61-01	N		502 40 08-02	M		502 41 81-05	R		503 54 39-01	F	
501 66 62-01	N		502 40 40-01	K		502 41 82-05	R		503 56 21-01	N	
501 66 67-01	N		502 40 42-03	K	N	502 41 83-01	R		503 56 24-01	N	N
501 66 70-01	N	N	502 40 45-01	K		502 41 84-01	R		503 56 25-01	N	
501 66 73-01	N		502 40 50-01	K		502 41 86-01	R		503 56 34-01	N	
501 66 77-01	N		502 40 52-01	K		502 41 89-04	R		503 60 09-01	N	
501 66 78-01	N		502 40 59-01	K		502 41 90-01	R		503 60 78-01	N	
501 66 83-01	N		502 40 60-01	K		502 41 91-02	KR		503 61 48-01	N	
501 67 67-02	C		502 40 61-02	K		502 42 04-01	O		503 62 52-01	N	
501 69 17-01	O		502 40 63-01	K		502 42 06-03	G		503 71 82-01	L	
501 86 21-02	C		502 40 64-01	K		502 42 07-01	G		503 75 02-01	B	
501 86 25-02	A		502 40 65-12	K		502 42 07-02	G		503 75 62-01	M	
502 00 21-04	F		502 40 65-13	K		502 42 15-01	P		503 75 63-01	M	
502 00 61-01	M		502 40 65-14	K		502 42 16-01	P		503 75 64-01	M	
502 01 64-01	A	N	502 40 65-15	K		502 42 17-01	P		503 80 06-01	N	N
502 03 47-01	D		502 40 65-16	K		502 42 18-01	K		503 80 13-01	N	N
502 03 60-01	D		502 40 69-01	G		502 42 19-01	G		503 82 69-01	R	
502 03 86-03	F		502 40 70-01	K		502 42 20-02	K		503 82 70-01	R	
502 05 02-02	H		502 40 71-01	GK		502 42 21-05	K		503 82 71-01	R	
502 05 08-74	E	N	502 40 71-02	G		502 42 22-02	K		503 82 72-01	R	
502 05 24-04	A		502 40 71-03	G		502 42 22-06	K		503 83 17-01	KR	
502 05 42-01	J		502 40 72-16	KP		502 42 32-01	K		503 85 84-01	M	
502 10 18-01	AB		502 40 73-02	P		502 42 33-01	G		503 85 85-01	M	
502 10 41-01	B		502 40 74-02	KR		502 42 36-01	G		503 90 12-01	J	N
502 10 41-02	B		502 40 75-01	KR		502 42 43-01	F		503 94 27-01	N	N
502 12 33-01	M	N	502 40 78-01	K		502 42 52-03	K		504 02 72-13	N	
502 14 44-01	L		502 40 79-01	G		502 42 53-03	K		504 86 04-08	N	
502 15 52-02	D		502 40 84-01	O		502 42 54-01	K		505 27 75-16	J	
502 15 56-01	D		502 40 88-01	KR		502 42 55-03	K		505 30 51-25	F	
502 15 57-01	D		502 40 88-02	KR		502 42 56-03	K		505 31 67-17	N	
502 17 16-01	A		502 40 89-01	K		502 42 57-01	K		505 42 51-01	G	
502 17 17-01	A		502 40 89-02	G		502 42 59-01	K		505 52 01-25	N	
502 17 19-03	A		502 40 89-03	R		502 42 61-01	K		530 03 50-15	N	
502 17 20-03	F		502 40 89-07	KR		502 42 63-01	B		531 00 45-21	N	N
502 17 21-01	F		502 40 89-08	K		502 42 64-01	B		720 13 07-10	H	
502 17 25-01	P		502 40 90-01	G		502 42 70-01	G		723 12 84-55	K	
502 17 25-02	P		502 40 91-01	K		502 42 76-02	L		725 52 89-55	H	
502 17 28-02	F		502 40 94-81	K		502 42 80-01	K		725 52 96-55	R	
502 17 33-02	H		502 40 96-02	H		502 42 81-01	A		725 53 29-55	G	
502 17 46-01	A		502 41 00-03	L		502 42 83-01	K		725 53 31-55	G	
502 17 81-01	F		502 41 01-04	L		502 42 83-03	K	N	725 53 32-55	C	
502 17 92-02	G		502 41 02-04	L		502 42 86-01	L		725 53 35-55	H	
502 17 95-02	G		502 41 03-02	L		502 42 92-01	R	N	725 53 43-55	H	
502 17 97-02	G		502 41 04-01	L		503 10 87-01	N		725 53 64-01	M	
502 21 58-01	O		502 41 05-01	L		503 17 63-01	N	N	725 53 67-01	M	
502 22 32-01	B	N	502 41 06-01	L		503 20 02-10	FGM		725 53 68-55	G	
502 22 46-03	B	N	502 41 13-01	A		503 20 02-16	ADFGK		725 63 25-55	K	
502 22 71-02	A		502 41 14-01	F		503 20 02-20	L		729 22 23-01	F	
502 23 00-01	D	N	502 41 15-02	J		503 20 02-50	G		729 52 26-71	L	
502 25 29-01	A		502 41 20-02	H		503 20 03-10	G		729 52 30-71	L	
502 25 40-01	L		502 41 22-01	G		503 20 20-05	K		729 52 57-75	K	
502 25 45-01	N		502 41 23-01	G		503 20 20-06	G	N	732 21 14-01	L	
502 25 46-01	N		502 41 24-01	G		503 20 25-20	J		734 11 36-41	L	
502 25 47-01	N		502 41 25-01	G		503 20 28-22	B	N	735 11 64-50	G,J	
502 25 90-01	J		502 41 29-02	G		503 20 29-85	D	N	735 31 12-41	R	
502 26 01-01	H		502 41 30-02	G		503 20 30-11	K		737 44 10-00	C	
502 26 30-01	F		502 41 31-01	G		503 20 40-20	O		738 21 00-02	R	
502 26 61-01	K		502 41 34-02	G		503 21 06-22	K		738 22 00-17	R	
502 26 98-01	H		502 41 35-01	G		503 21 06-25	K		738 22 02-15	EH	
502 27 20-01	F		502 41 36-01	G		503 21 21-01	D		740 38 27-01	GK	
502 27 23-01	D		502 41 37-01	G		503 22 21-02	GJ		740 42 22-00	H	
502 27 34-01	C		502 41 38-01	G		503 22 65-04	K	N	950 26 71-09	O	
502 27 35-01	C		502 41 46-01	G		503 22 66-01	K				