
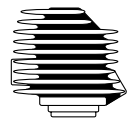


For Husqvarna Parts Call 606-678-9623 or 606-561-4983

 **Husqvarna**

SERVICE 		7
		I9800032

362

362 EPA



1.1998

Spare parts

Ersatzteile

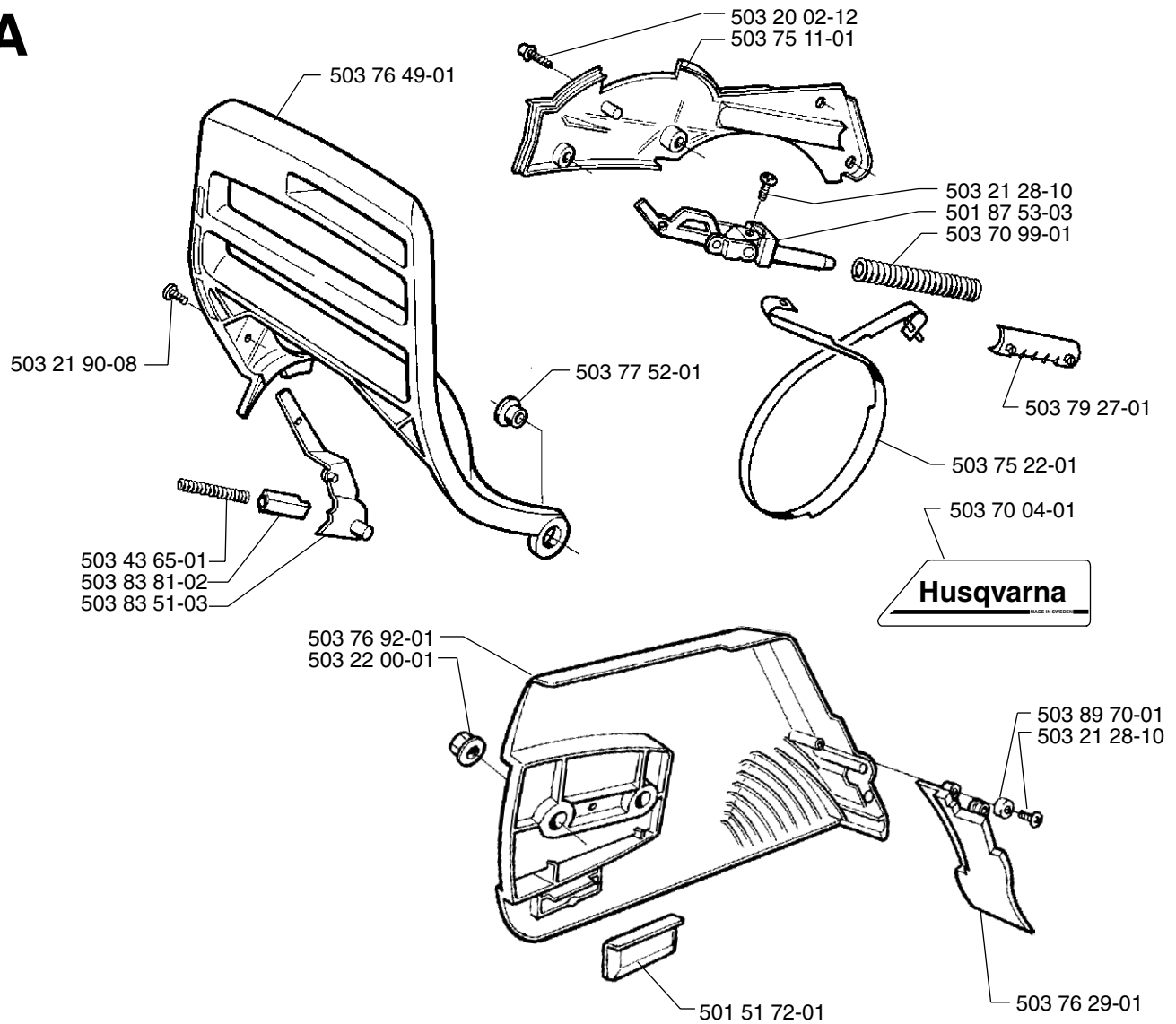
Pièces détachées

Reserve onderdelen

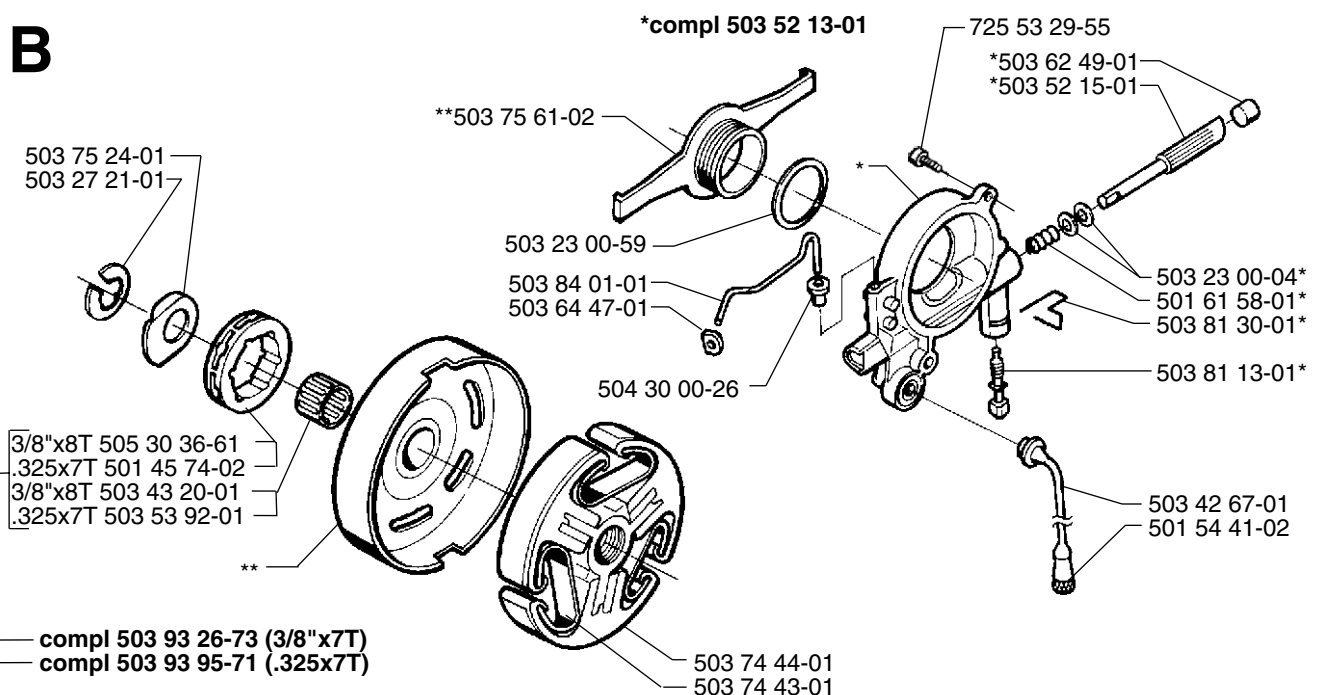
Repuestos

Reservdelar

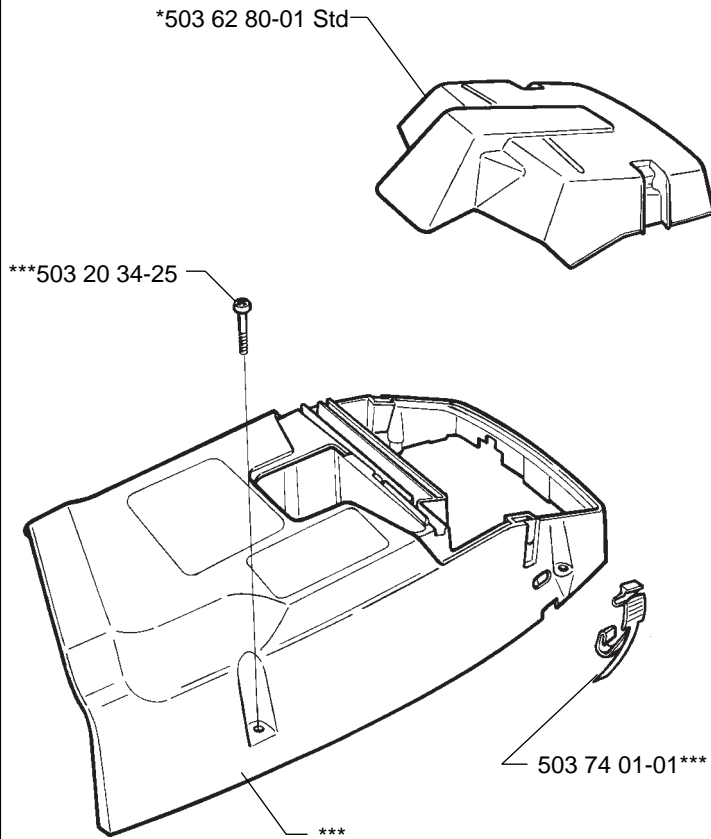
A



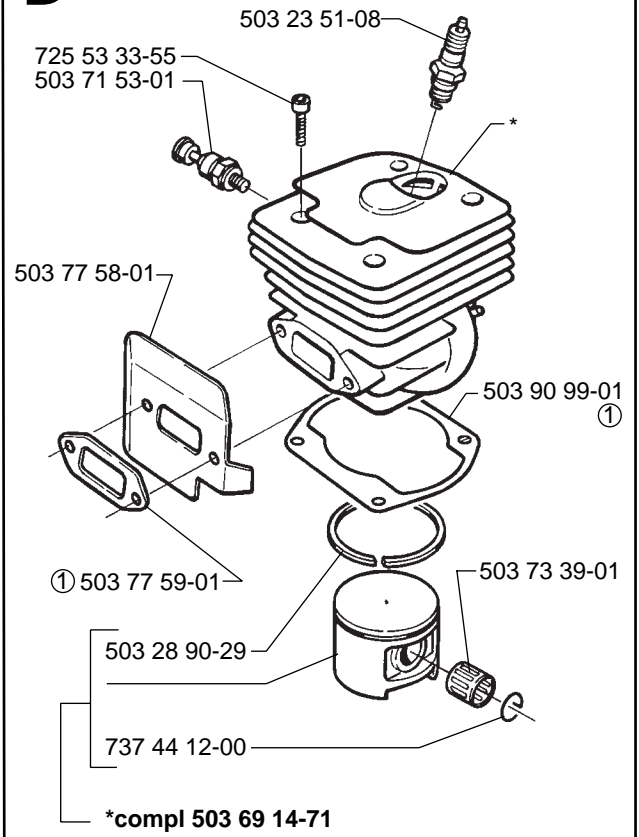
B



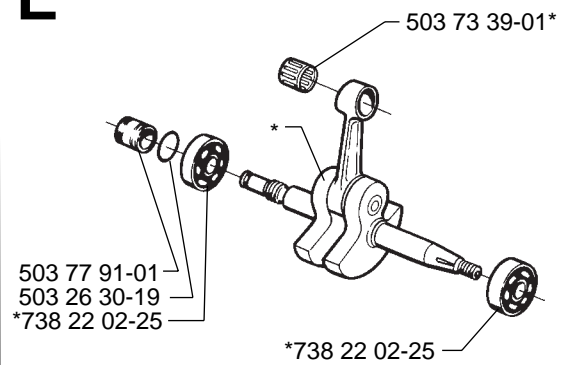
C *compl 503 62 78-02 Std USA
*compl 503 62 78-03 Std



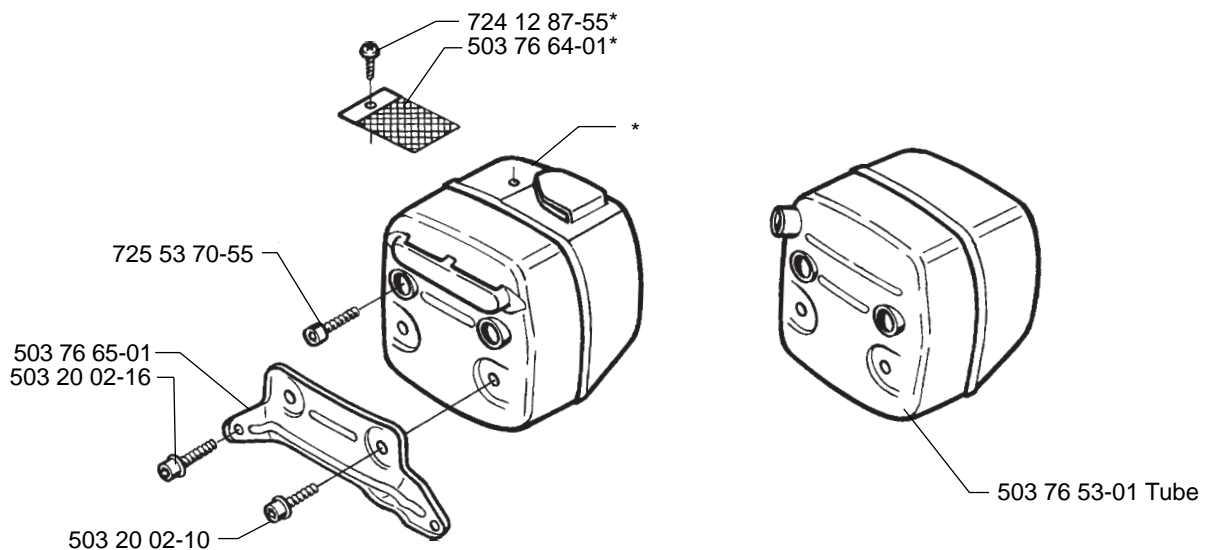
D *compl 503 96 52-71



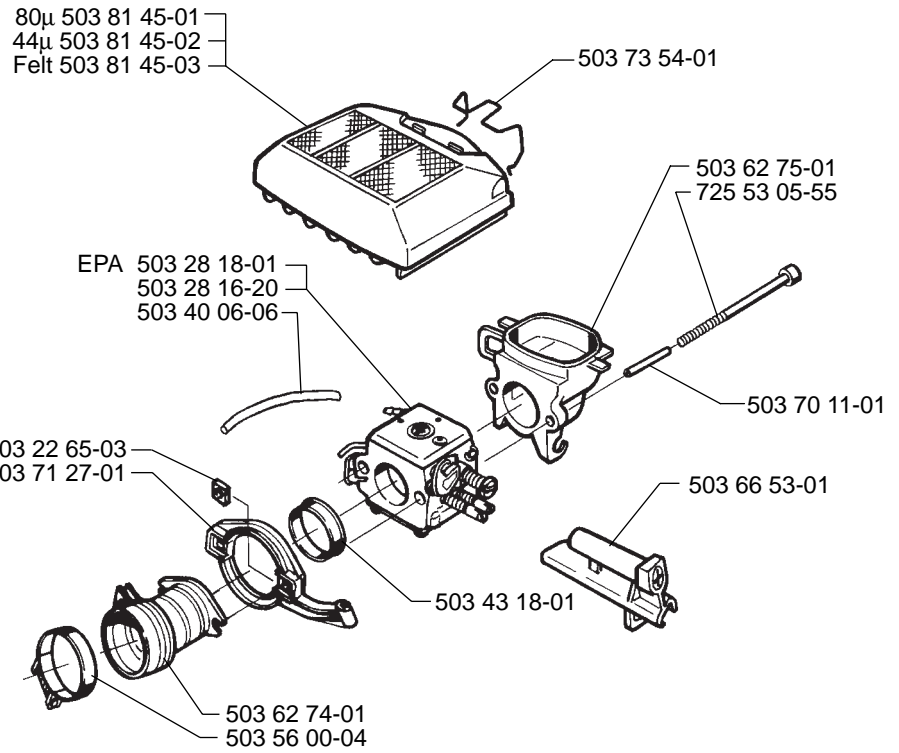
E *compl 503 72 91-74



F *compl 503 76 54-02 DF

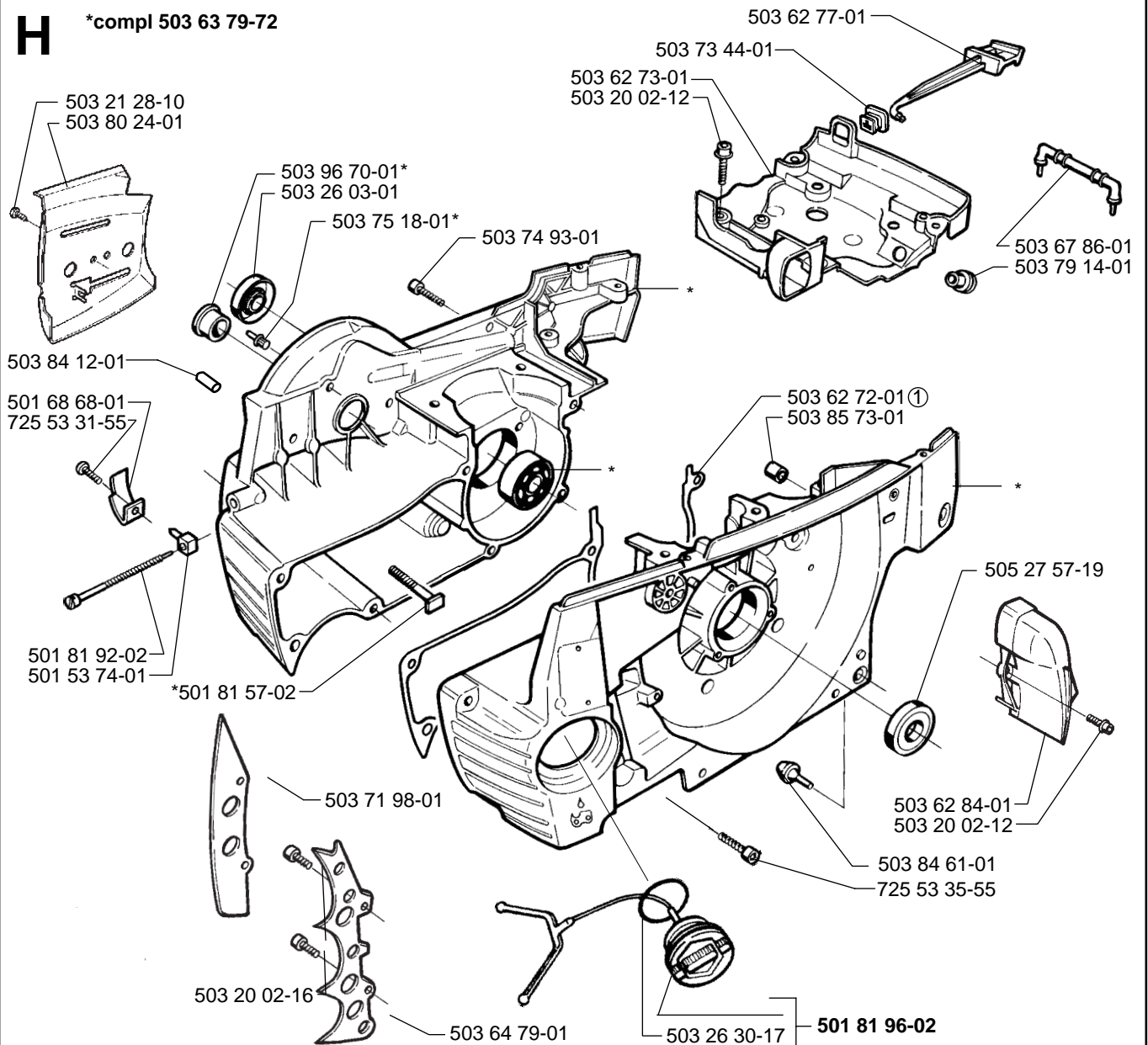


G



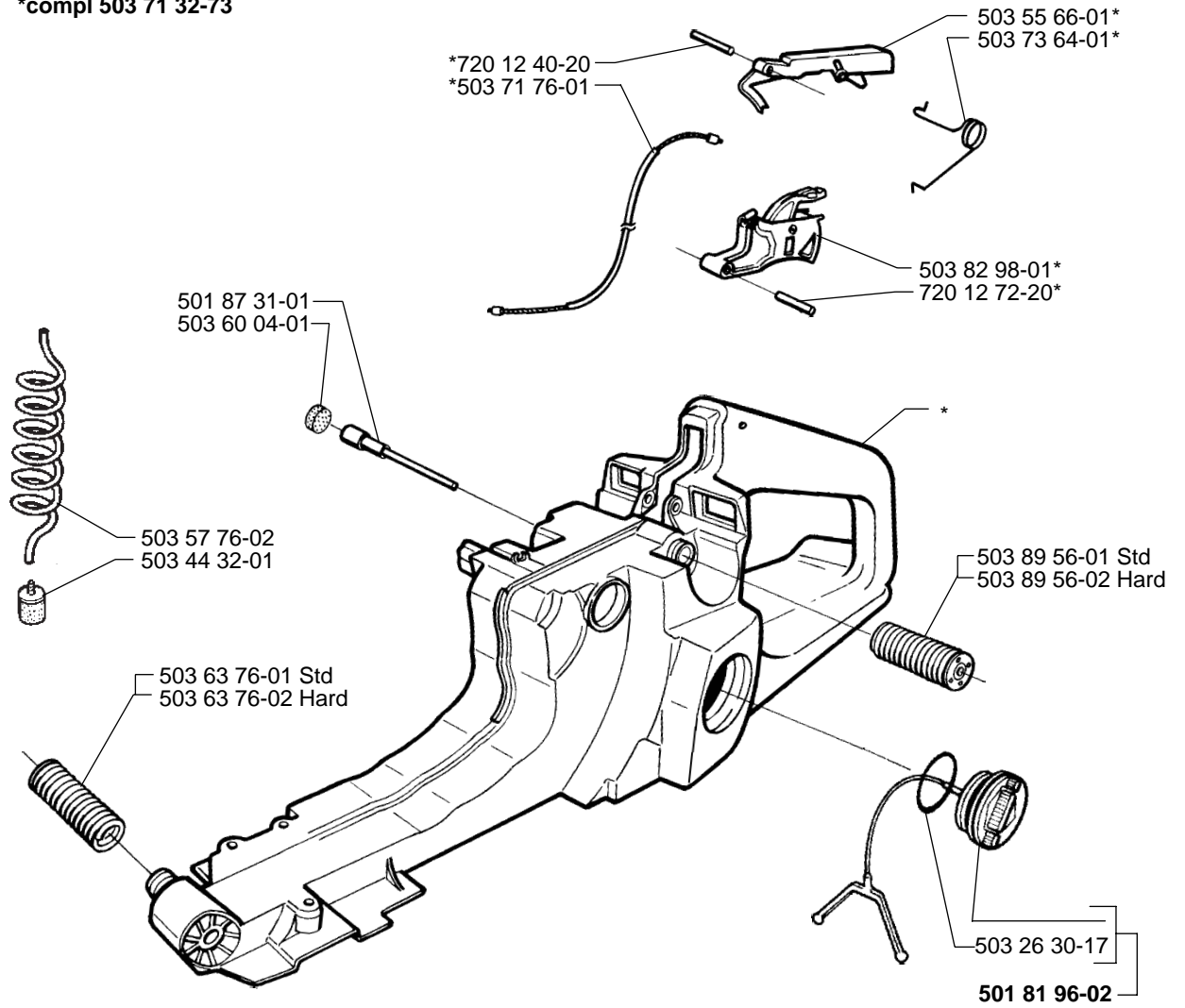
H

*compl 503 63 79-72



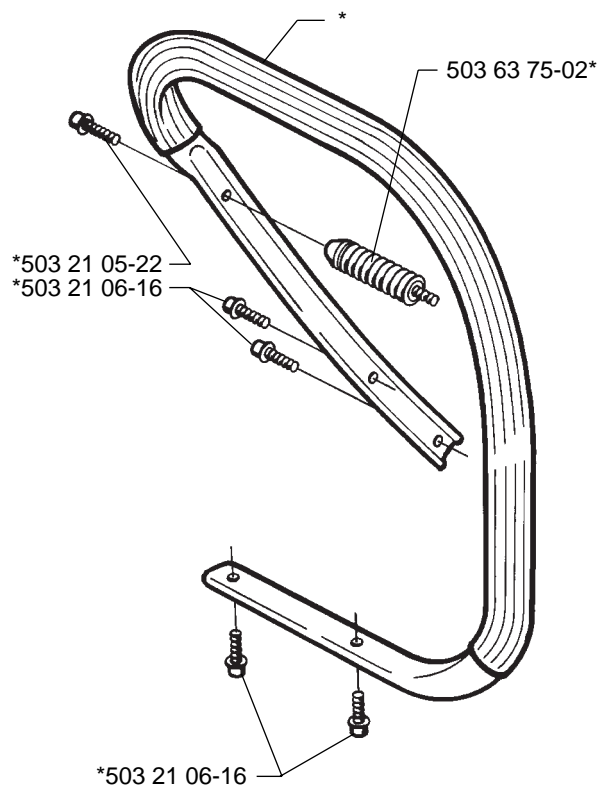
J

*compl 503 71 32-73

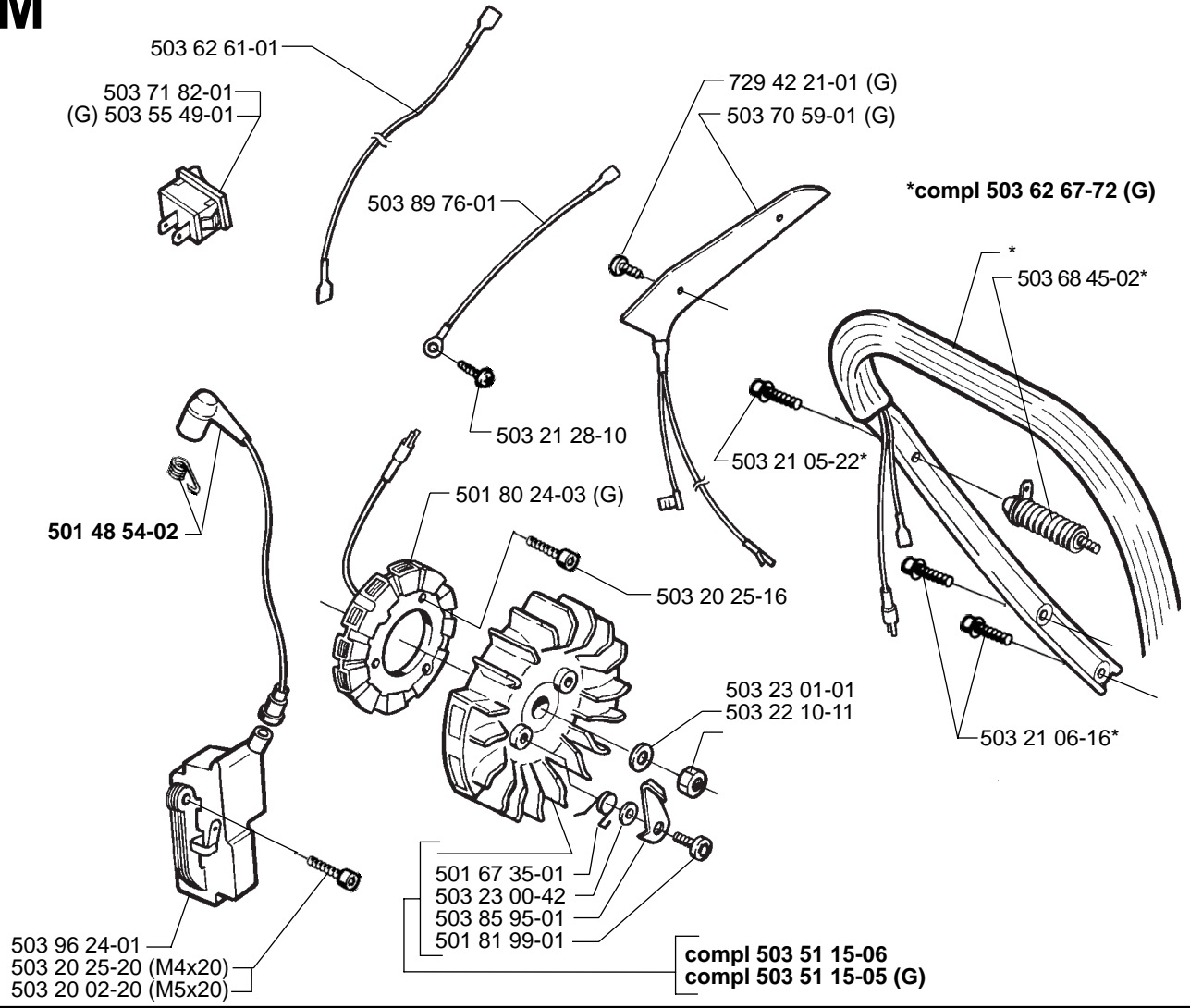


K

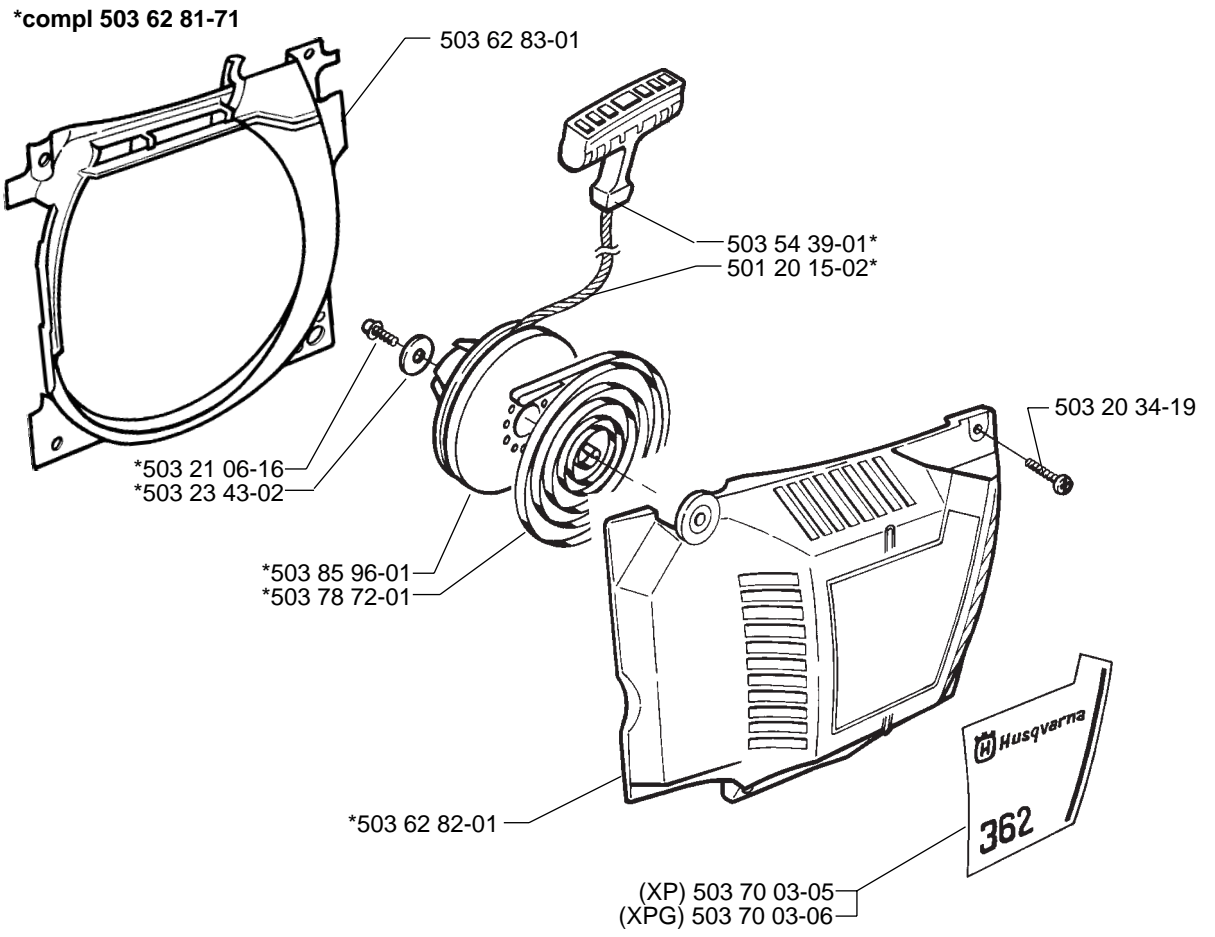
compl 503 62 67-71



M



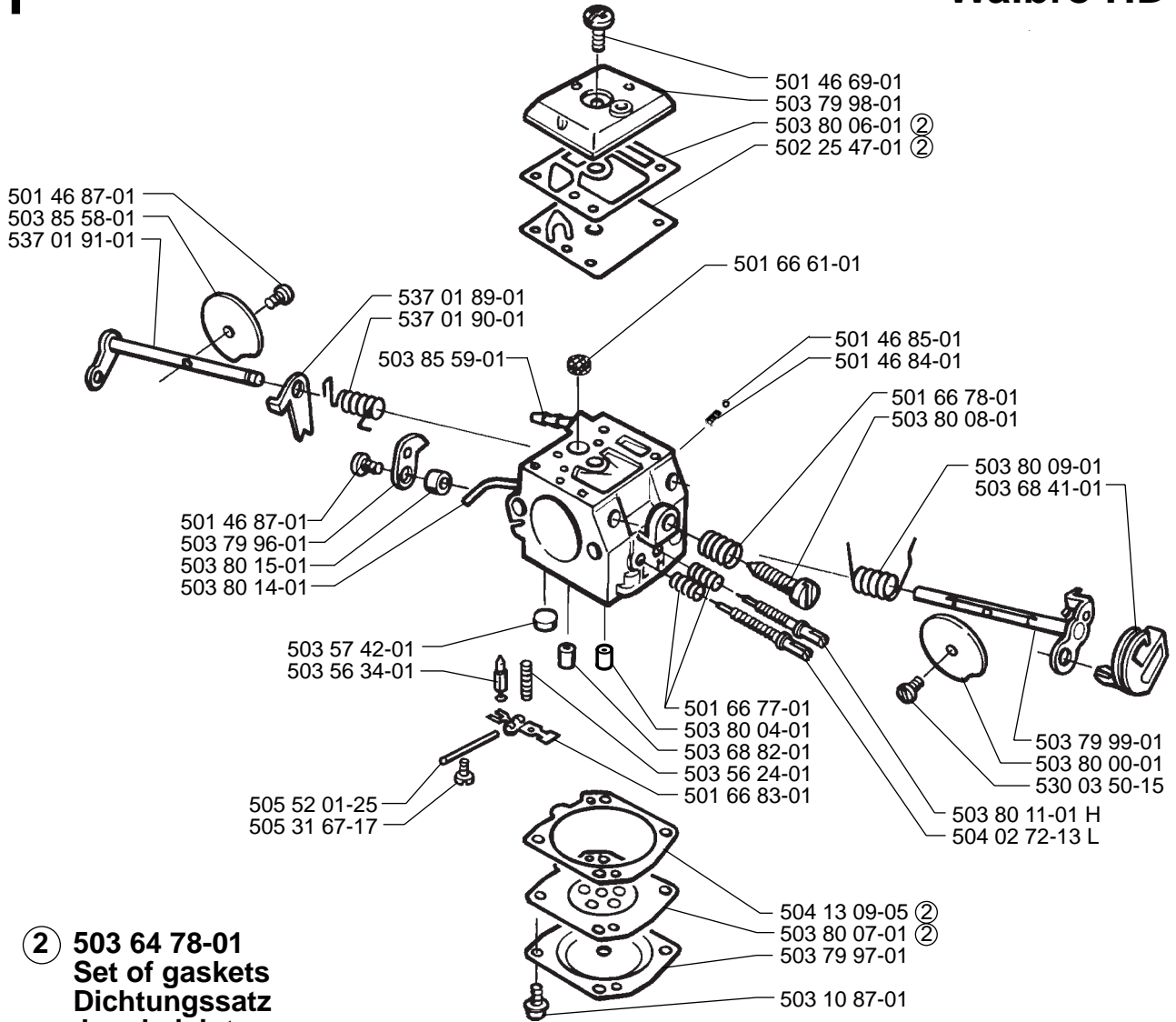
N



P

compl 503 28 16-20

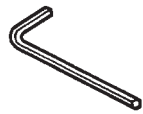
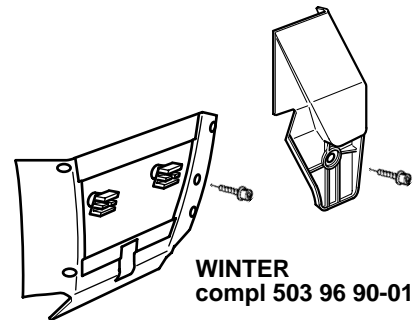
Walbro HD-6



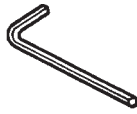
② **503 64 78-01**
Set of gaskets
Dichtungssatz
Jeu de joints
Juego de juntas
Packningssats

Q

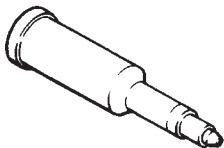
Accessories
Zubehöre
Accessories
Accesorios
Tillbehör



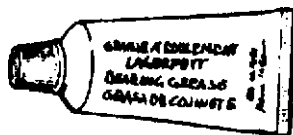
503 55 86-01 NV4



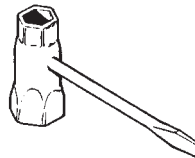
503 55 86-02 NV5



501 91 14-01



503 62 12-01

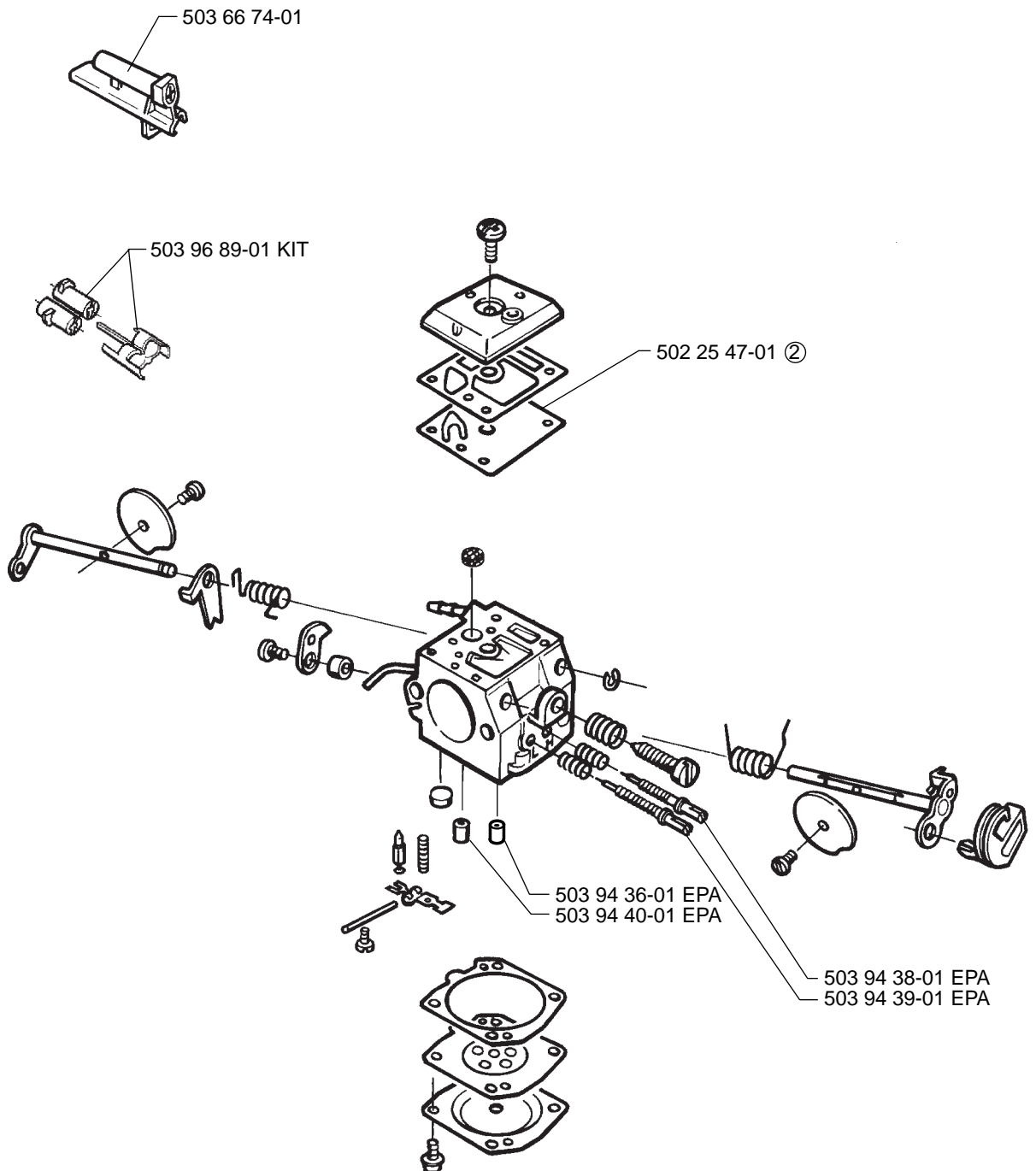


501 69 17-01

R 362 EPA USA only

Walbro HD-12A

compl 503 28 18-01 EPA



- ② 503 64 78-01
Set of gaskets
Dichtungssatz
Jeu de joints
Juego de juntas
Packningssats

For Husqvarna Parts Call 606-678-9623 or 606-561-4983

MODEL NUMBER 362

PART NUMBER	SQUARE	NOTE	PART NUMBER	SQUARE	NOTE	PART NUMBER	SQUARE	NOTE	PART NUMBER	SQUARE	NOTE
501 20 15-02	N		503 55 86-01	Q		503 76 49-01	A		505 31 67-17	P	
501 45 74-02	B	N	503 55 86-02	Q		503 76 53-01	F		505 52 01-25	P	
501 46 69-01	P		503 56 00-04	G		503 76 54-01	F		720 12 40-20	J	
501 46 87-01	P		503 56 24-01	P		503 76 54-02	F		720 12 72-20	J	
501 48 54-02	M		503 56 34-01	P		503 76 64-01	F		724 12 87-55	F	
501 51 72-01	A		503 56 46-01		2	503 76 65-01	F		725 53 05-55	G	
501 53 74-01	H		503 57 42-01	P		503 76 92-01	A		725 53 29-55	B	
501 54 41-02	B		503 57 76-02	J		503 77 52-01	A		725 53 31-55	H	
501 59 80-02	B		503 60 04-01	J		503 77 58-01	D		725 53 33-55	D	
501 61 58-01	B		503 62 12-01	Q		503 77 59-01	D	1	725 53 35-55	H	
501 66 61-01	P		503 62 49-01	B		503 77 91-01	E		725 53 70-55	F	
501 66 77-01	P		503 62 54-01	Q		503 78 72-01	N		729 42 21-01	M	
501 66 78-01	P		503 62 61-01	M	N	503 79 14-01	H		737 44 12-00	D	
501 66 83-01	P		503 62 67-71	K		503 79 27-01	A		738 22 02-25	E	
501 67 35-01	M		503 62 67-72	M		503 79 55-01	B				
501 68 68-01	H		503 62 72-01	H	1	503 79 95-01	P				
501 69 17-01	Q		503 62 73-01	H		503 79 96-01	P				
501 80 24-03	M		503 62 74-01	G		503 79 97-01	P				
501 81 57-02	H		503 62 75-01	G		503 79 98-01	P				
501 81 92-02	H		503 62 77-01	H		503 79 99-01	P				
501 81 96-02	H,J		503 62 78-02	C		503 80 00-01	P				
501 81 99-01	M		503 62 78-03	C		503 80 01-01	P				
501 87 31-01	J		503 62 80-01	C		503 80 04-01	P				
501 87 53-03	A		503 62 81-71	N		503 80 06-01	P	2			
501 91 14-01	Q		503 62 82-01	N		503 80 07-01	P	2			
502 25 47-01	P	2	503 62 83-01	N		503 80 08-01	P				
503 03 50-15	P		503 62 84-01	H		503 80 09-01	P				
503 10 87-01	P		503 63 75-02	K		503 80 10-01	P				
503 20 02-12	A,H		503 63 76-01	J		503 80 11-01	P				
503 20 02-16	F,H		503 63 76-02	J		503 80 14-01	P				
503 20 02-20	M		503 63 79-72	H	N	503 80 15-01	P				
503 20 25-16	M		503 64 47-01	B		503 80 16-01	P				
503 20 25-20	M		503 64 72-01		1	503 80 24-01	H	N			
503 20 34-19	N		503 64 78-01	P	2 comp 1	503 81 13-01	B				
503 20 34-25	C		503 64 79-01	H		503 81 30-01	B				
503 21 05-22	A,K,M		503 66 53-01	G		503 81 45-01	G				
503 21 06-16	K,N		503 66 74-01	R	EPA	503 81 45-02	G				
503 21 28-10	A,H,M		503 67 86-01	H		503 81 45-03	G				
503 21 90-08	A		503 68 41-01	P		503 82 98-01	J				
503 22 00-01	A		503 68 45-02	M		503 83 27-01	H				
503 22 10-11	M		503 68 82-01	P		503 83 51-03	A				
503 22 65-03	G		503 69 14-71	D	N	503 83 81-02	A	N			
503 23 00-04	B		503 70 03-05	N	N	503 84 01-01	B	N			
503 23 00-42	M		503 70 03-06	N	N	503 84 12-01	H				
503 23 00-59	B		503 70 04-01	A		503 84 61-01	H				
503 23 01-01	M		503 70 11-01	G		503 85 58-01	P				
503 23 43-02	N		503 70 59-01	M		503 85 59-01	P				
503 23 51-08	D		503 70 99-01	A		503 85 73-01	H				
503 25 45-01	B		503 71 27-01	G		503 85 95-01	M				
503 26 03-01	H		503 71 32-73	J		503 85 96-01	N				
503 26 30-17	HJ		503 71 53-01	D		503 89 56-01	J				
503 26 30-19	E		503 71 76-01	J		503 89 56-02	J				
503 27 21-01	A		503 71 82-01	M		503 89 70-01	A				
503 28 16-08	G,P		503 71 97-01	A		503 89 76-01	M				
503 28 16-10	G,R	EPA	503 71 98-01	H		503 90 99-01	D	1			
503 28 90-29	D	N	503 72 91-74	E		503 93 26-74	B				
503 40 06-06	G		503 73 39-01	D,E		503 93 95-71	B	N			
503 42 67-01	B		503 73 44-01	H		503 94 36-01	R	EPA			
503 43 18-01	G		503 73 54-01	G		503 94 38-01	R	EPA			
503 43 20-01	B		503 73 64-01	J		503 94 39-01	R	EPA			
503 43 65-01	A		503 74 01-01	C		503 94 40-01	R	EPA			
503 44 32-01	J		503 74 43-01	B		503 96 24-01	M				
503 51 15-05	M		503 74 44-01	B		503 96 52-71	D	N			
503 51 15-06	M		503 74 93-01	H		503 96 70-01	H				
503 52 13-01	B		503 75 11-01	A		503 96 89-01	R	EPA			
503 52 15-01	B		503 75 18-01	P		504 02 72-13	P				
503 53 92-01	B	N	503 75 22-01	A		504 13 09-05	P	2			
503 54 39-01	N		503 75 24-01	B		504 30 00-26	B				
503 55 49-01	M		503 75 61-02	B		505 27 57-19	H				
503 55 66-01	J		503 76 29-01	A		505 30 36-61	B				

2=503 56 46-01 Set of gaskets
 Dichtungssatz
 Jeu de joints
 Juego de juntas
 Packningssats

EPA=Environmental Protection Agency

1=503 64 72-01 Set of gaskets
 Dichtungssatz
 Jeu de joints
 Juego de juntas
 Packningssats