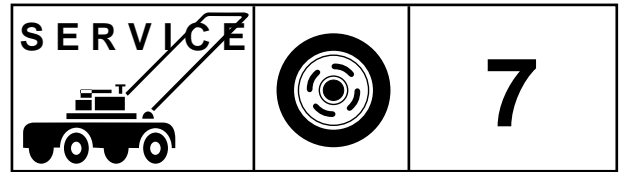


For Husqvarna Parts Call 606-678-9623 or 606-561-4983

 **Husqvarna**



# Rider 970 HST-BIOCLIP



**1.1997**

**Spare parts**

**Ersatzteile**

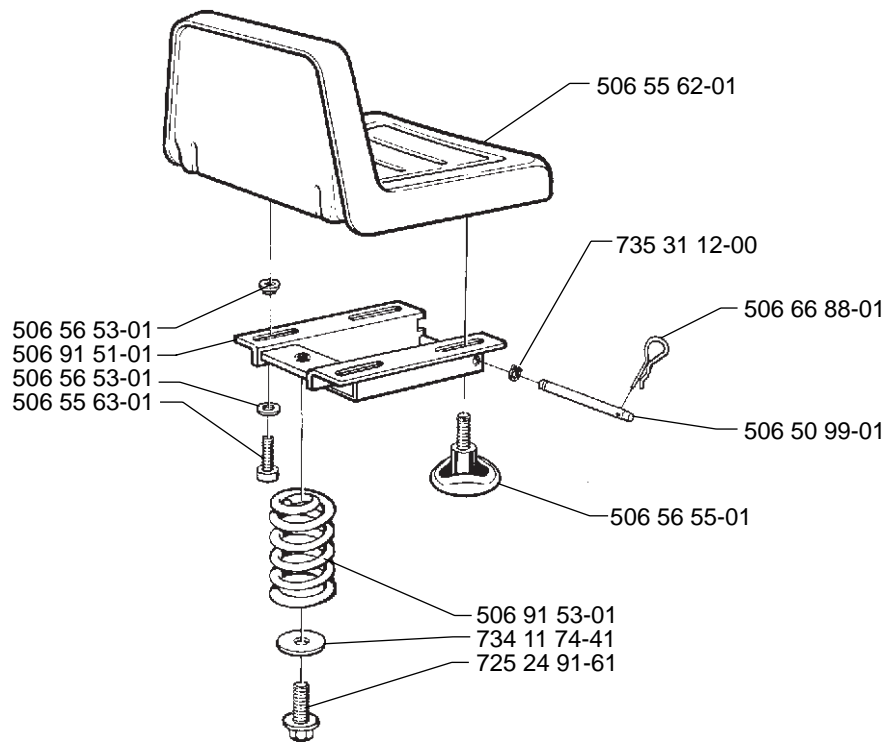
**Pièces détachées**

**Reserve onderdelen**

**Repuestos**

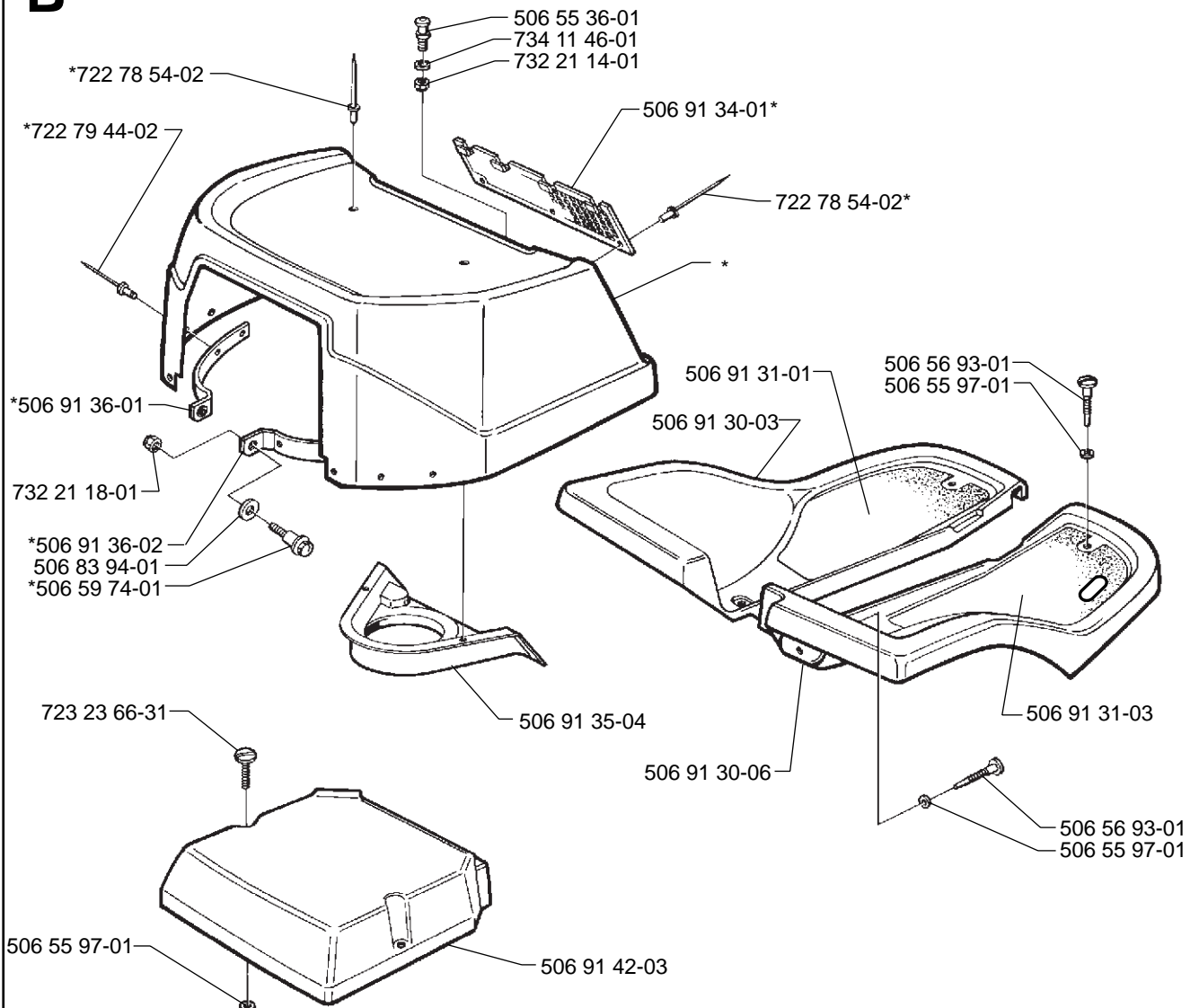
**Reservdelar**

**A**

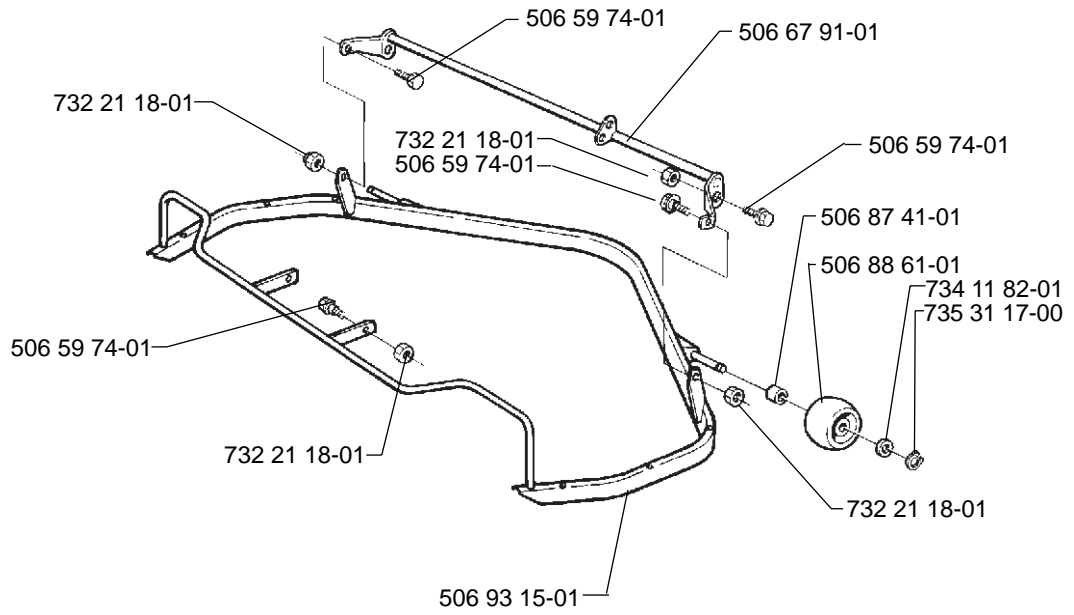


**B**

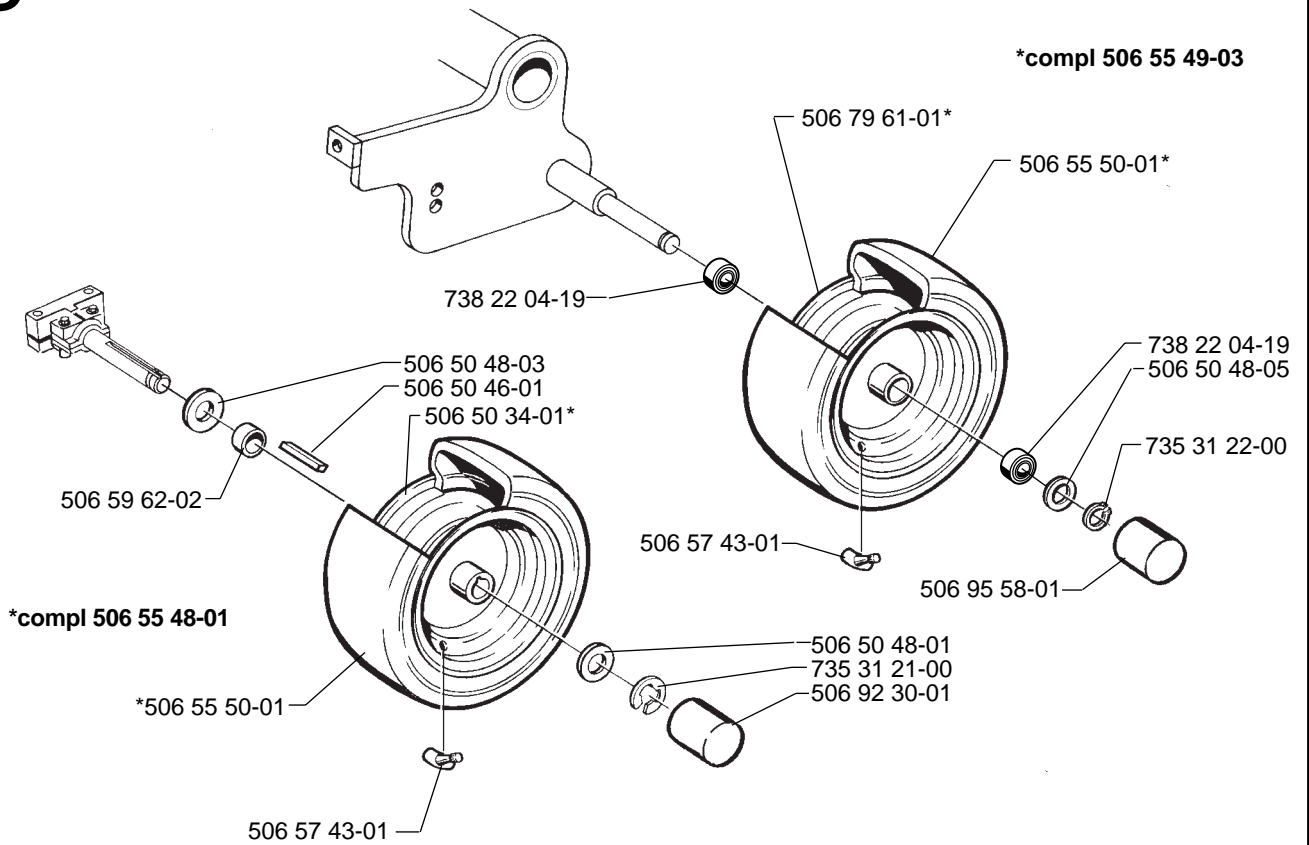
\*compl 506 91 32-04



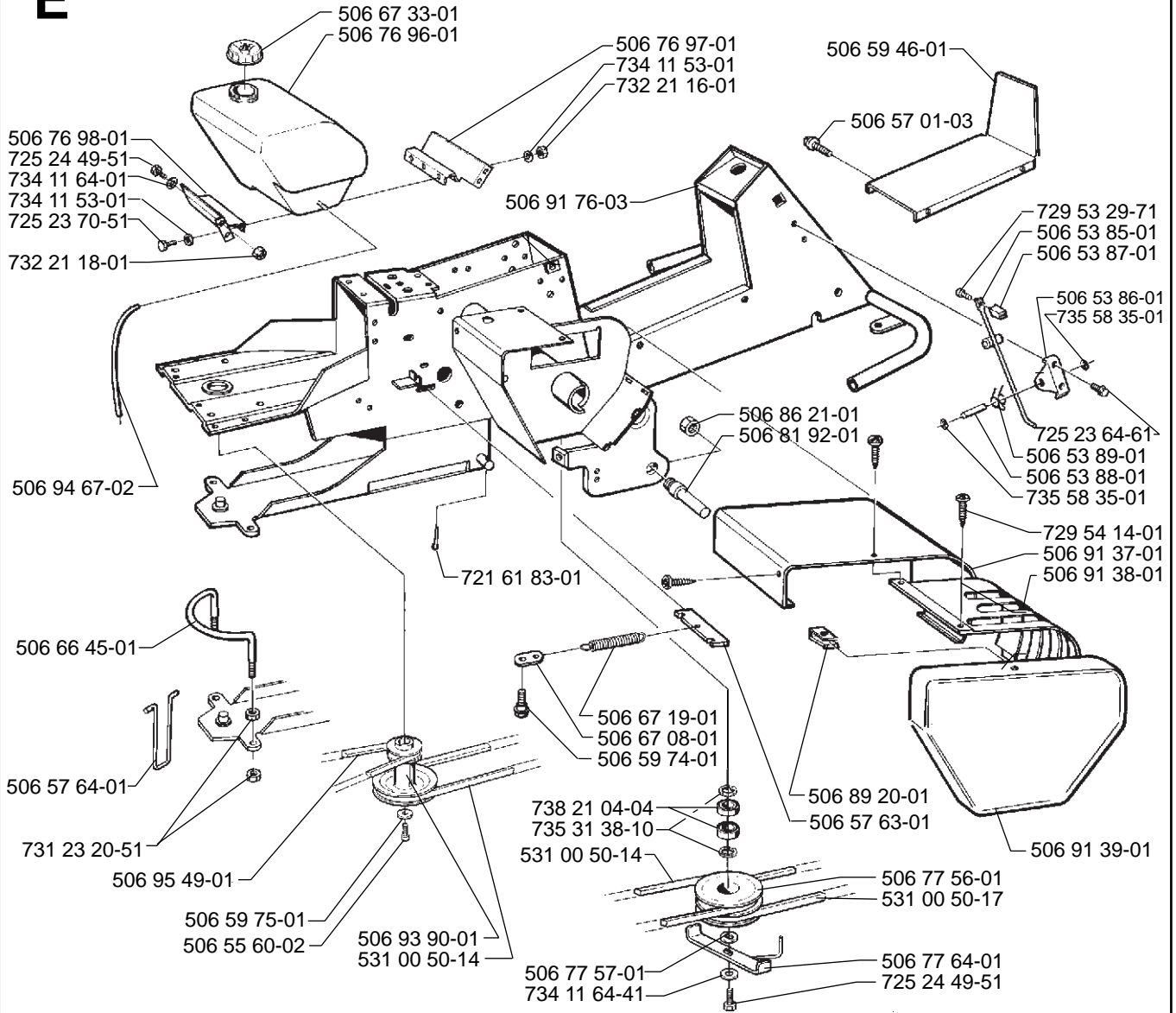
**C**



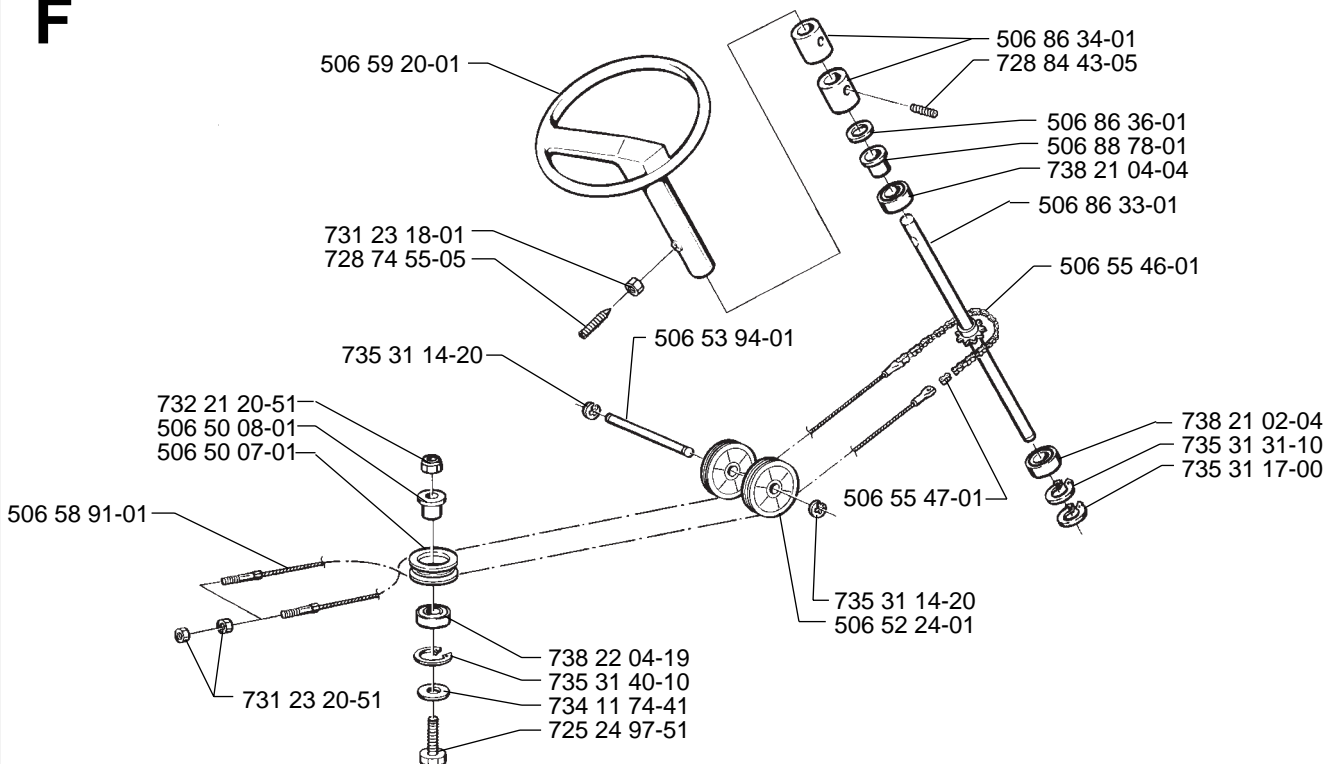
**D**



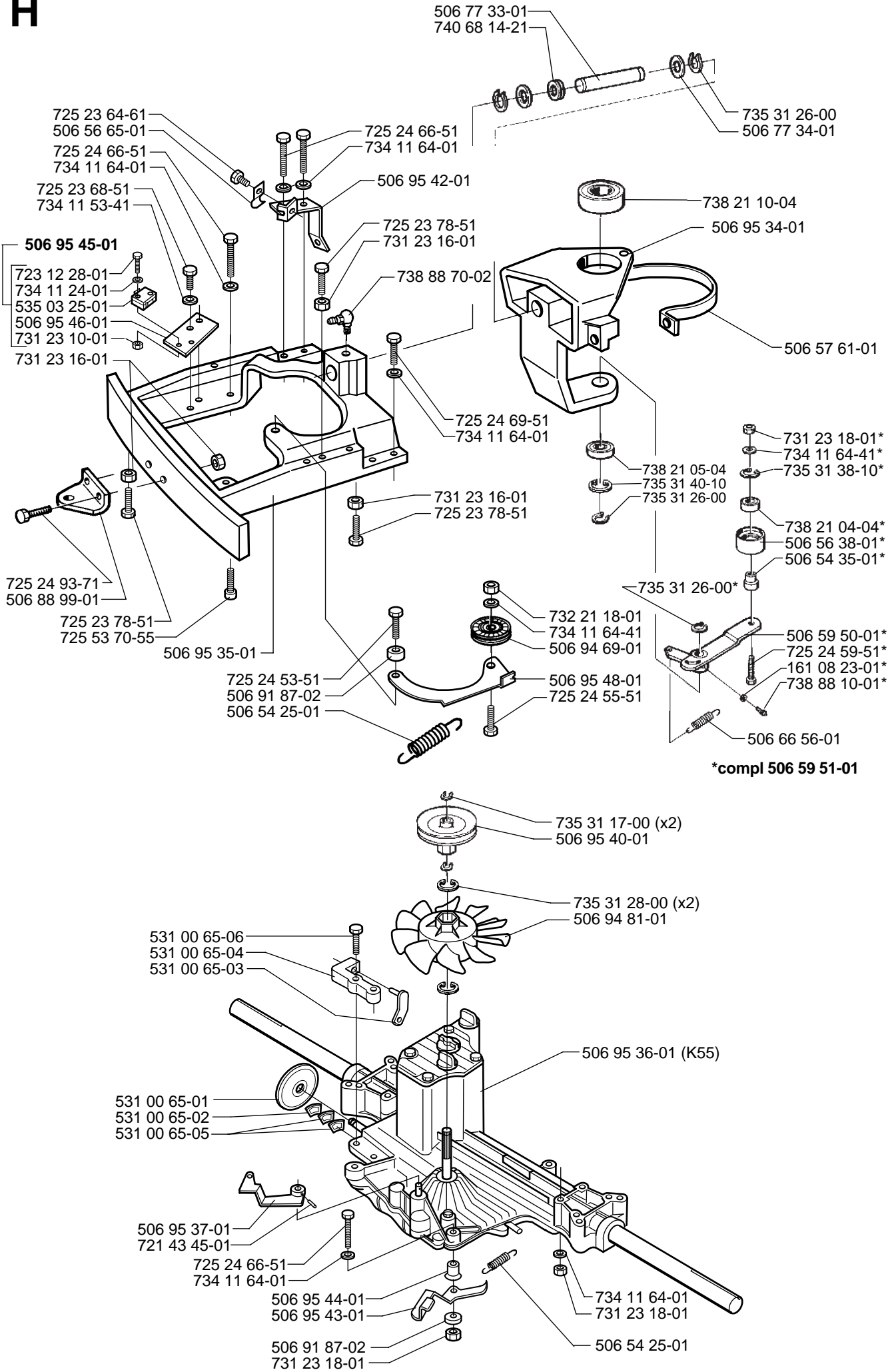
**E**



**F**

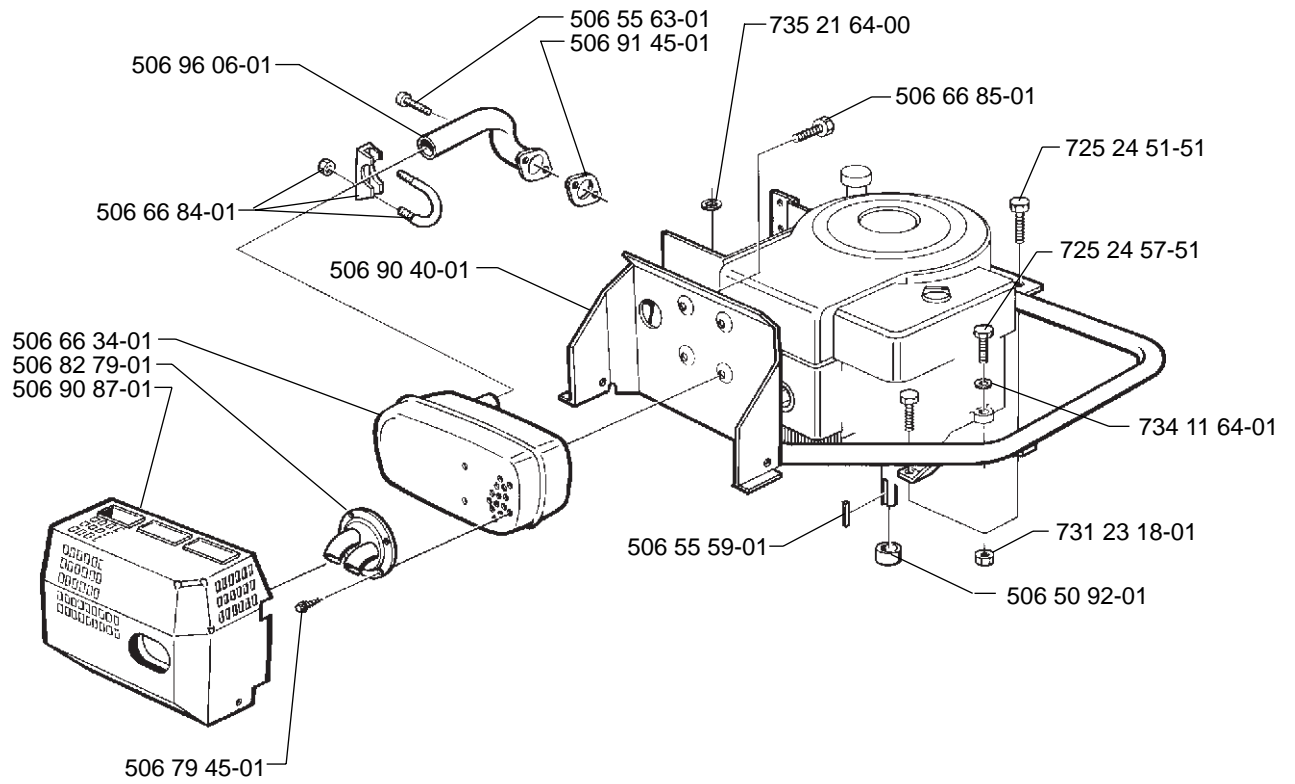


**H**

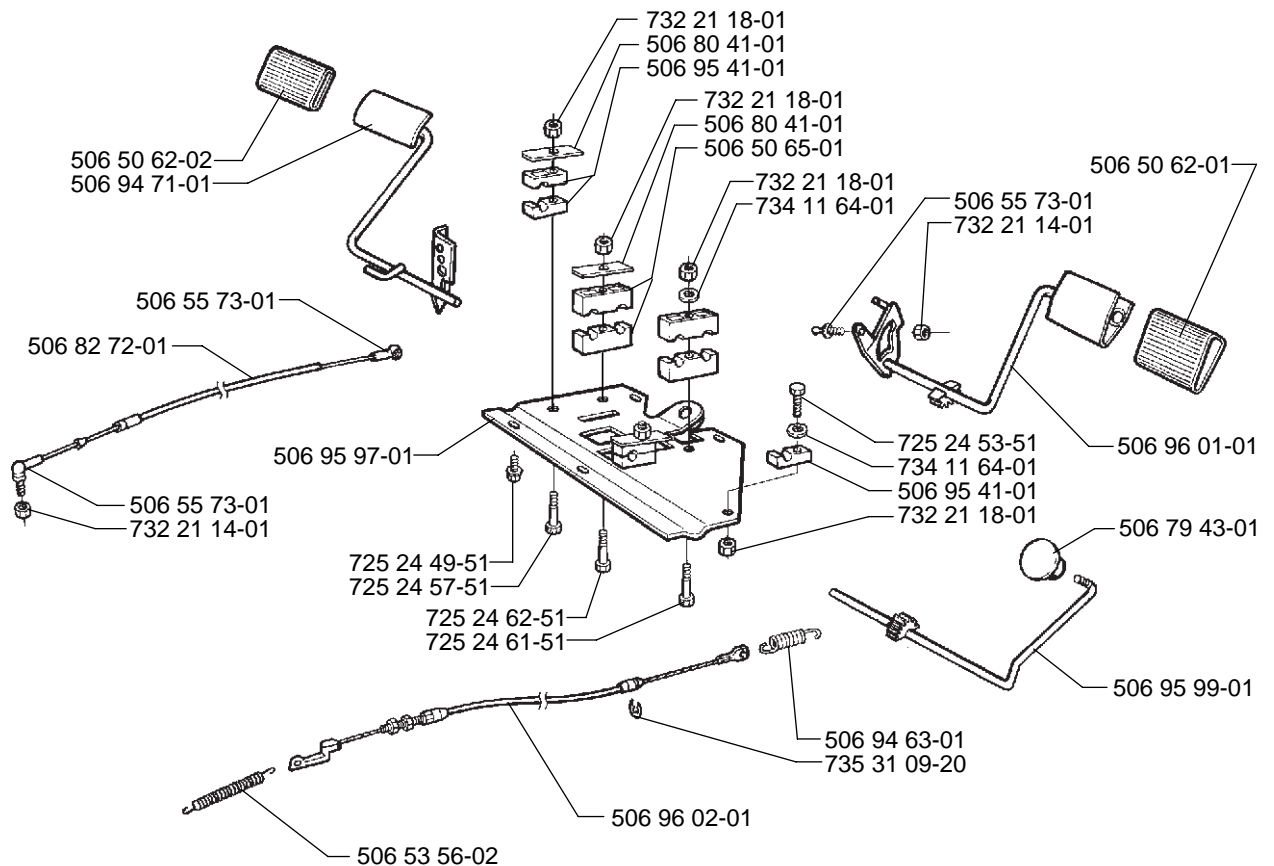


**G**

15,5 hp B & S Diamond plus

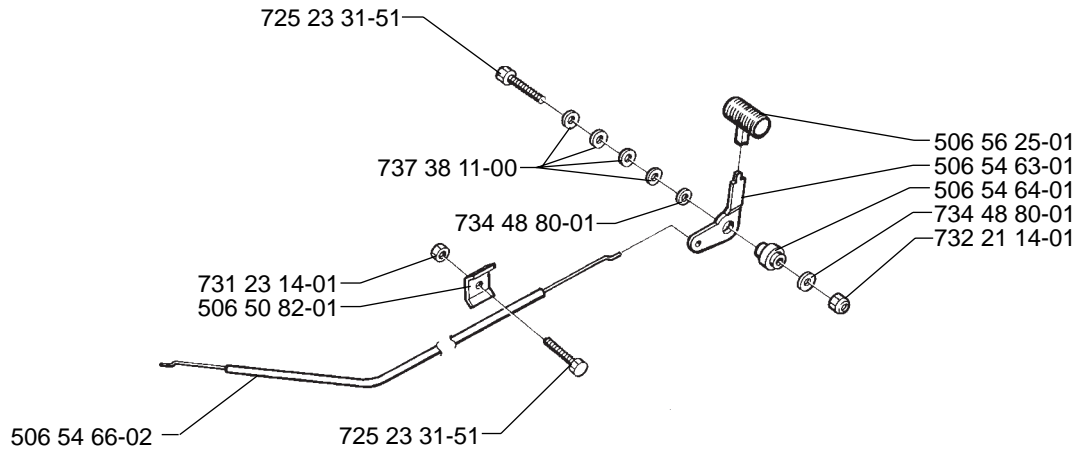


**I**

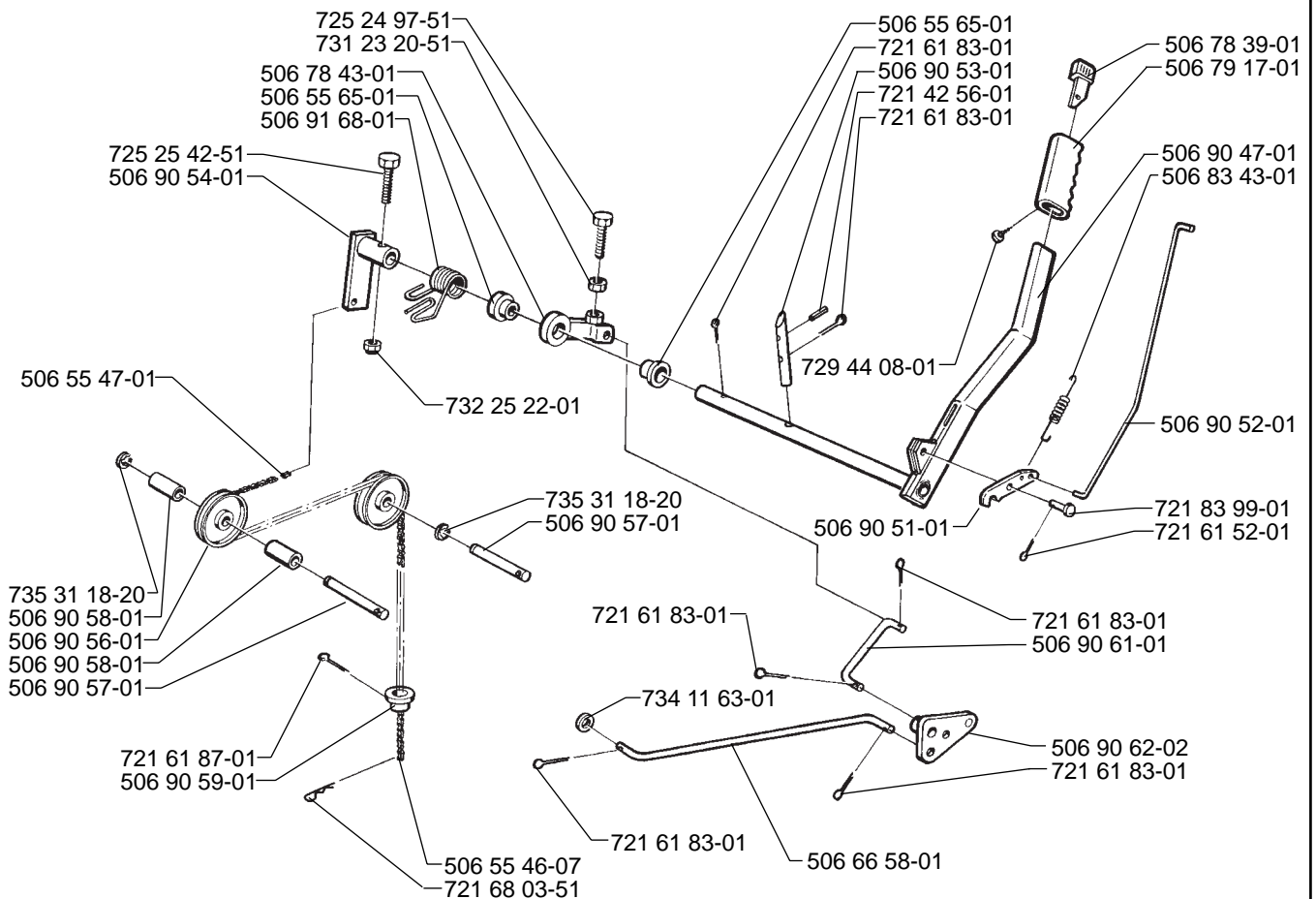




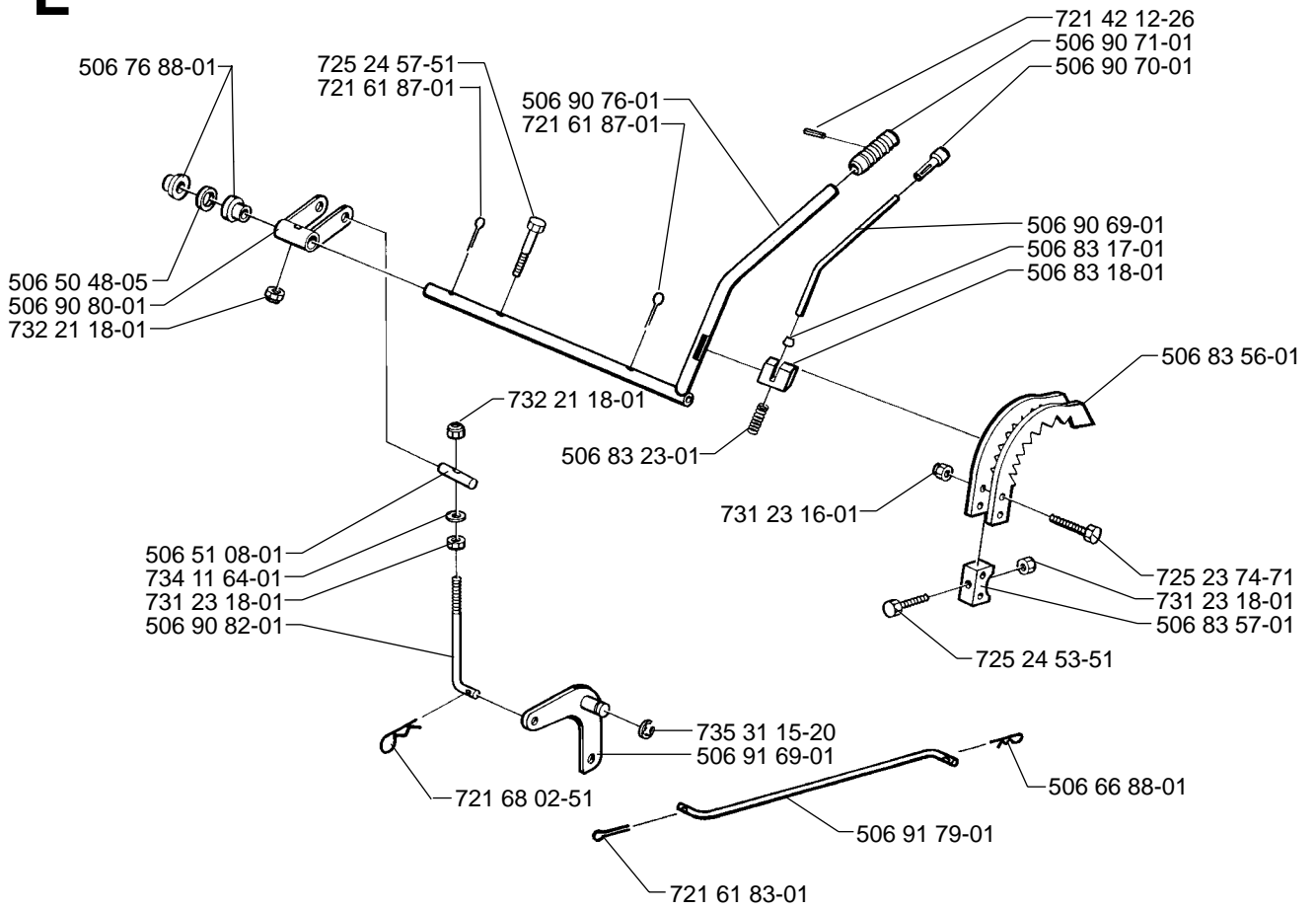
**J**



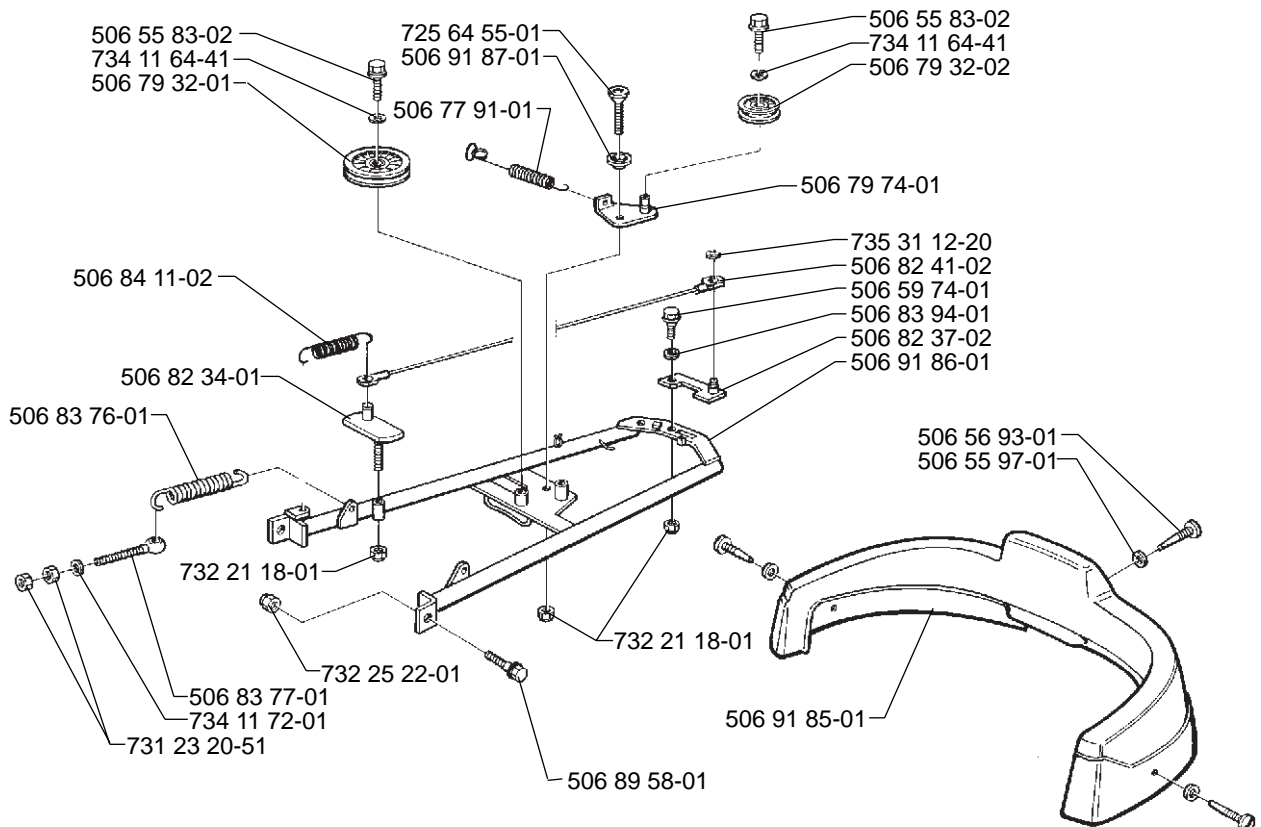
**K**



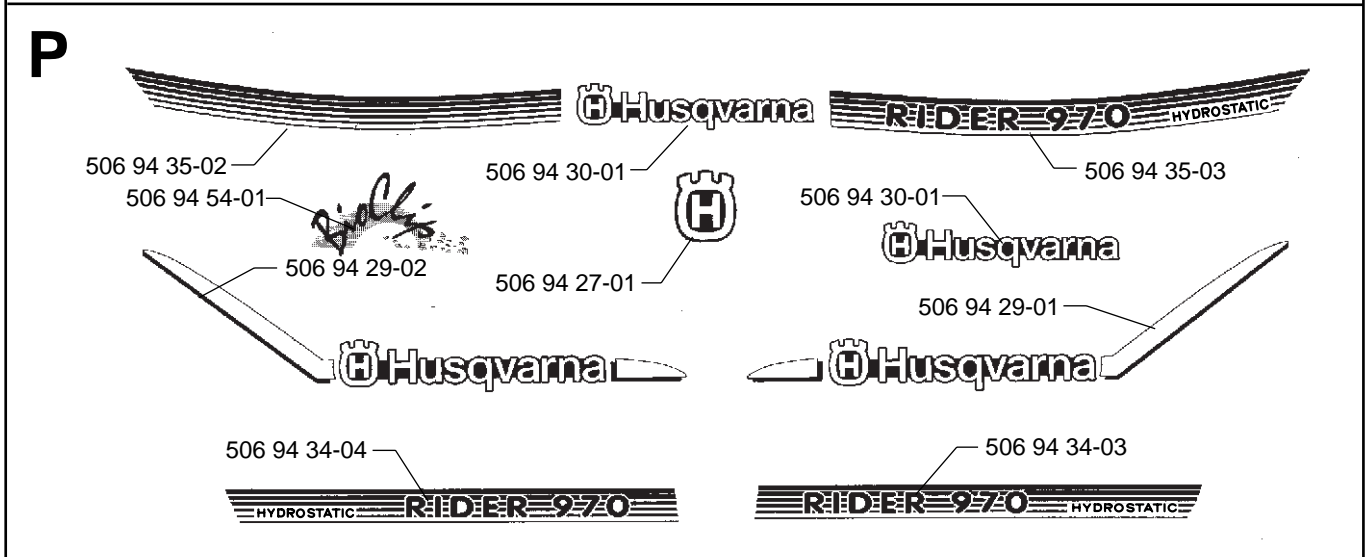
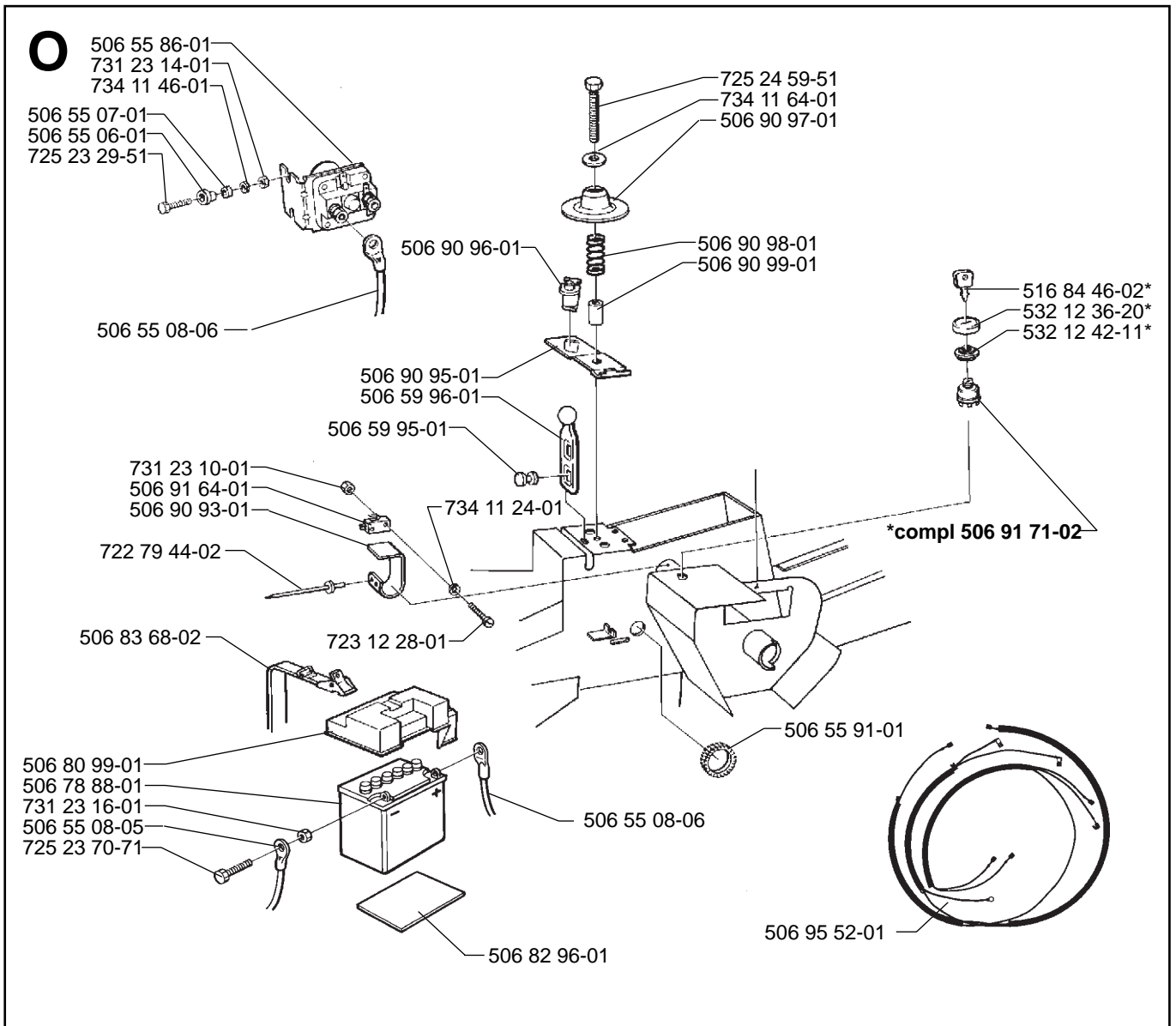
**L**



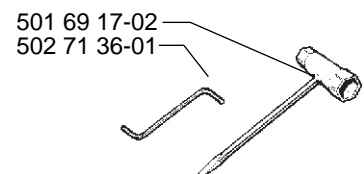
**M**







**Q** Leverans endast som reservdel  
Delivery as spare part only  
Nur als Ersatzteil lieferbar  
Livrabl seulement comme pièce de rechange  
Solo como repuesto  
Zasilá se jenom jako náhradni díl

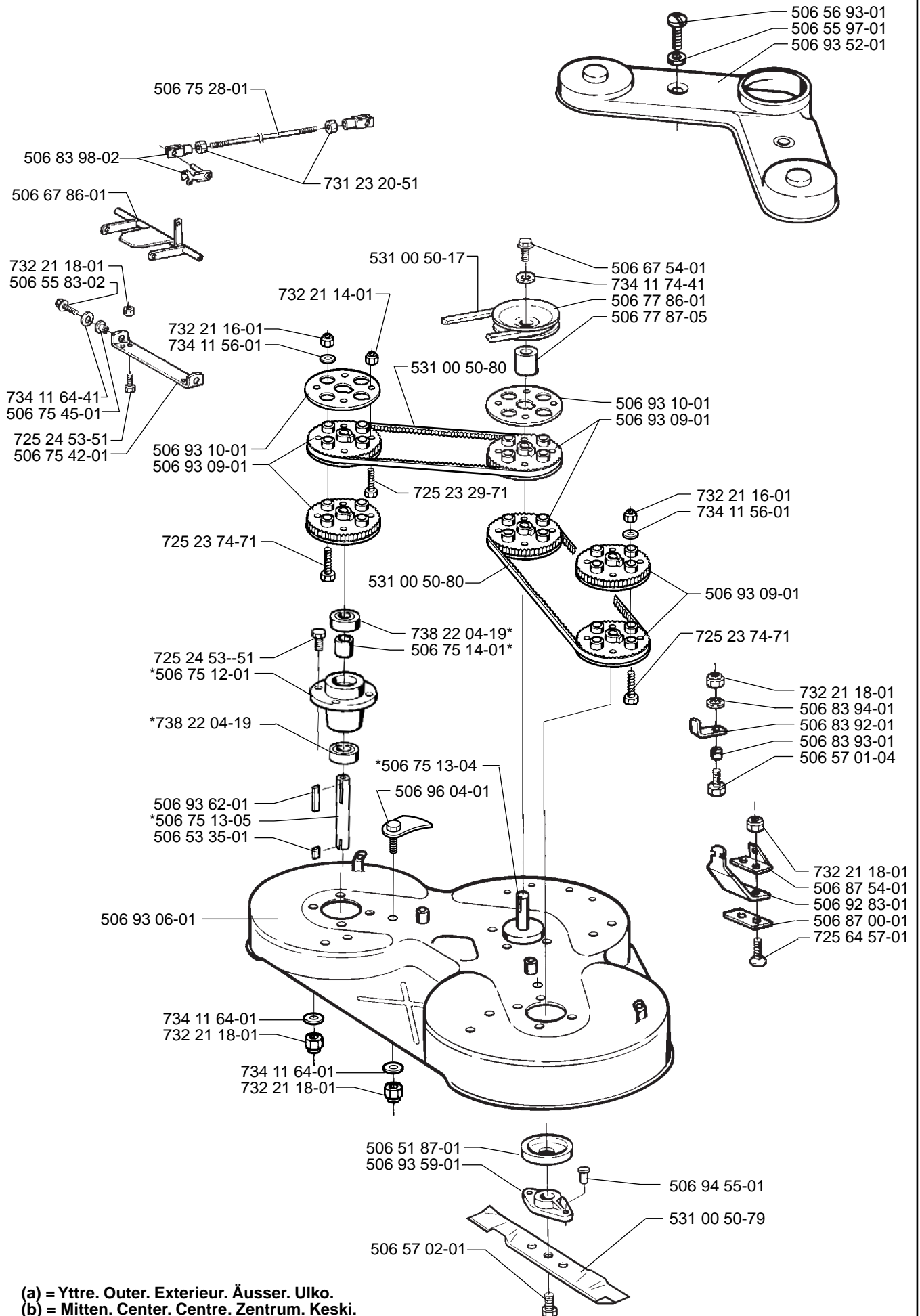


**R**

\*compl 506 75 11-05 (a)  
\*compl 506 75 11-04 (b)

Rear discharge see  
ref.nr. 106 23 45-67 square N

**BIOCLIP**



(a) = Yttre. Outer. Exterieur. Äusser. Ulko.  
(b) = Mitten. Center. Centre. Zentrum. Keski.

# For Husqvarna Parts Call 606-678-9623 or 606-561-4983

MODEL NUMBER R970H

PART NUMBER	SQUARE	NOTE	PART NUMBER	SQUARE	NOTE	PART NUMBER	SQUARE	NOTE	PART NUMBER	SQUARE	NOTE
161 08 23-01	H		506 59 46-01	E		506 83 93-01	R		506 93 09-01	R	
501 69 17-02	Q		506 59 50-01	H		506 83 94-01	B,M,R		506 93 10-01	R	
502 71 36-01	Q		506 59 51-01	H		506 83 98-02	R		506 93 15-01	C	
506 06 06-01	G		506 59 62-02	D		506 84 11-02	M		506 93 52-01	R	
506 50 07-01	F		506 59 74-01	B,C,E,M		506 86 21-01	E		506 93 59-01	R	
506 50 08-01	F		506 59 95-01	O		506 86 33-01	F		506 93 62-01	R	
506 50 34-01	D		506 59 96-01	Q		506 86 34-01	F		506 94 27-01	P	
506 50 46-01	D		506 66 34-01	G		506 86 36-01	F		506 94 29-01	P	
506 50 48-01	D		506 66 45-01	E		506 87 00-01	R		506 94 29-02	P	
506 50 48-03	D		506 66 56-01	H		506 87 41-01	C		506 94 30-01	P	
506 50 48-05	D,L		506 66 58-01	K		506 87 54-01	R		506 94 34-03	P	
506 50 62-01	I		506 66 84-01	G		506 88 61-01	C		506 94 34-04	P	
506 50 62-02	I		506 66 85-01	G		506 88 78-01	F		506 94 35-02	P	
506 50 65-01	I		506 66 88-01	A,L		506 88 99-01	H		506 94 35-03	P	
506 50 82-01	I		506 67 08-01	E		506 89 20-01	E		506 94 54-01	P	
506 50 92-01	G		506 67 19-01	E		506 89 58-01	M		506 94 55-01	R	
506 50 99-01	A		506 67 33-01	E		506 90 40-01	G		506 94 63-01	I	
506 51 08-01	L		506 67 54-01	R		506 90 47-01	K		506 94 67-02	E	
506 51 87-01	R		506 67 86-01	R		506 90 51-01	K		506 94 69-01	H	
506 52 24-01	F		506 67 91-01	C		506 90 52-01	K		506 94 71-01	I	
506 53 35-01	R		506 75 11-04	R		506 90 53-01	K		506 94 81-01	H	
506 53 56-02	I		506 75 11-05	R		506 90 54-01	K		506 95 34-01	H	
506 53 85-01	E		506 75 12-01	R		506 90 56-01	K		506 95 35-01	H	
506 53 86-01	E		506 75 13-04	R		506 90 57-01	K		506 95 36-01	H	
506 53 87-01	E		506 75 13-05	R		506 90 58-01	K		506 95 37-01	H	
506 53 88-01	E		506 75 14-01	R		506 90 59-01	K		506 95 40-01	H	
506 53 89-01	E		506 75 28-01	R		506 90 61-01	K		506 95 41-01	I	
506 53 94-01	F		506 75 42-01	R		506 90 62-02	K		506 95 42-01	H	
506 54 25-01	H		506 75 45-01	R		506 90 69-01	L		506 95 43-01	H	
506 54 35-01	II		506 76 88-01	L		506 90 70-01	L		506 95 44-01	H	
506 54 63-01	I		506 76 96-01	E		506 90 71-01	L		506 95 45-01	H	
506 54 64-01	I		506 76 97-01	E		506 90 76-01	L		506 95 46-01	H	
506 54 66-02	I		506 76 98-01	E		506 90 80-01	L		506 95 48-01	H	
506 55 06-01	O		506 77 33-01	H		506 90 82-01	L		506 95 49-01	E	
506 55 07-01	O		506 77 34-01	H		506 90 87-01	G		506 95 52-01	O	
506 55 08-05	O		506 77 56-01	E		506 90 93-01	O		506 95 58-01	D	
506 55 08-06	O		506 77 57-01	E		506 90 95-01	O		506 95 97-01	I	
506 55 36-01	B		506 77 64-01	E		506 90 96-01	O		506 95 99-01	I	
506 55 46-01	F		506 77 86-01	R		506 90 97-01	O		506 96 01-01	I	
506 55 46-07	K		506 77 87-05	R		506 90 98-01	O		506 96 02-01	I	
506 55 47-01	F,K		506 77 91-01	M		506 90 99-01	O		506 96 04-01	R	
506 55 48-01	D		506 78 39-01	K		506 91 30-03	B		516 84 46-02	O	
506 55 49-03	D		506 78 43-01	K		506 91 30-06	B		531 00 50-14	E	
506 55 50-01	D		506 78 88-01	O		506 91 31-01	B		531 00 50-17	E,R	
506 55 59-01	G		506 79 17-01	K		506 91 31-03	B		531 00 50-79	R	
506 55 60-02	E		506 79 32-01	M		506 91 32-04	B		531 00 50-80	R	
506 55 62-01	A		506 79 32-02	M		506 91 34-01	B		531 00 65-01	H	
506 55 63-01	A,G		506 79 43-01	I		506 91 35-04	B		531 00 65-02	H	
506 55 65-01	K		506 79 45-01	G		506 91 36-01	B		531 00 65-03	H	
506 55 73-01	I		506 79 61-01	D		506 91 36-02	B		531 00 65-04	H	
506 55 83-02	M,R		506 79 74-01	M		506 91 37-01	E		531 00 65-05	H	
506 55 86-01	O		506 80 41-01	I		506 91 38-01	E		531 00 65-06	H	
506 55 91-01	O		506 80 99-01	O		506 91 39-01	E		532 12 36-20	O	
506 55 97-01	B,M,R		506 81 92-01	E		506 91 42-03	B		532 12 42-11	O	
506 56 25-01	I		506 82 34-01	M		506 91 45-01	G		535 03 25-01	H	
506 56 38-01	H		506 82 37-02	M		506 91 51-01	A		721 42 12-26	L	
506 56 53-01	A		506 82 41-02	M		506 91 53-01	A		721 42 56-01	K	
506 56 55-01	A		506 82 72-01	I		506 91 64-01	O		721 43 45-01	H	
506 56 65-01	H		506 82 79-01	G		506 91 68-01	K		721 61 52-01	K	
506 56 93-01	B,M,R		506 82 96-01	O		506 91 69-01	L		721 61 83-01	E,K,L	
506 57 01-03	E		506 83 17-01	L		506 91 71-02	O		721 61 87-01	K,L	
506 57 01-04	R		506 83 18-01	L		506 91 76-03	E		721 68 02-51	L	
506 57 02-01	R		506 83 23-01	L		506 91 79-01	L		721 68 03-51	K	
506 57 43-01	D		506 83 43-01	K		506 91 85-01	M		721 83 99-01	K	
506 57 61-01	H		506 83 56-01	L		506 91 86-01	M		722 78 54-02	B	
506 57 63-01	E		506 83 57-01	L		506 91 87-01	M		722 79 44-02	B,O	
506 57 64-01	E		506 83 68-02	O		506 91 87-02	H		723 12 28-01	H,O	
506 58 52-01	E		506 83 76-01	M		506 92 30-01	D		723 23 66-31	B	
506 58 91-01	F		506 83 77-01	M		506 92 83-01	R		725 23 29-51	O	
506 59 20-01	F		506 83 92-01	R		506 93 06-01	R		725 23 29-71	R	

# For Husqvarna Parts Call 606-678-9623 or 606-561-4983

MODEL NUMBER R970H

PART NUMBER	SQUARE	NOTE	PART NUMBER	SQUARE	NOTE	PART NUMBER	SQUARE	NOTE	PART NUMBER	SQUARE	NOTE
725 23 31-51		I	738 21 05-04		H						
725 23 64-61		E,H	738 21 10-04		H						
725 23 68-51		H	738 22 04-19		D,F,R						
725 23 70-51		E	738 88 10-01		H						
725 23 70-71		O	738 88 70-02		H						
725 23 74-71		L,R	740 68 14-21		H						
725 23 78-51		H									
725 24 49-51		E,I									
725 24 51-51		G									
725 24 53-51		H,I,L,R									
725 24 55-51		H									
725 24 57-51		G,I,L									
725 24 59-51		H,O									
725 24 61-51		I									
725 24 62-51		I									
725 24 66-51		H									
725 24 69-51		H									
725 24 91-61		A									
725 24 93-71		H									
725 24 97-51		F,K									
725 25 42-51		K									
725 53 70-55		H									
725 64 55-01		M									
725 64 57-01		R									
728 74 55-05		F									
728 84 43-05		F									
729 44 08-01		K									
729 53 29-71		E									
729 54 14-01		E									
731 23 10-01		H,O									
731 23 14-01		I,O									
731 23 16-01		H,L,O									
731 23 18-01		F,H,G,L									
731 23 20-51		E,K,M,R									
732 21 14-01		B,I,R									
732 21 16-01		E,R									
732 21 18-01		BCEHILM									
732 21 20-51		F									
732 25 22-01		K,M									
734 11 24-01		H,O									
734 11 46-01		B,O									
734 11 53-01		E									
734 11 53-41		H									
734 11 56-01		R									
734 11 63-01		K									
734 11 64-01		EHGILOR									
734 11 64-41		E,H,M,R									
734 11 72-01		M									
734 11 74-41		A,F,R									
734 11 82-01		C									
734 48 80-01		I									
735 21 64-00		G									
735 31 09-20		I									
735 31 12-00		A									
735 31 12-20		M									
735 31 14-20		F									
735 31 15-20		L									
735 31 17-00		C,F,H									
735 31 18-20		K									
735 31 21-00		D									
735 31 22-00		D									
735 31 26-00		H									
735 31 28-00		H									
735 31 31-10		F									
735 31 38-10		E,H									
735 31 40-10		F,H									
735 58 35-01		E									
737 38 11-00		I									
738 21 02-04		F									
738 21 04-04		E,F,H									