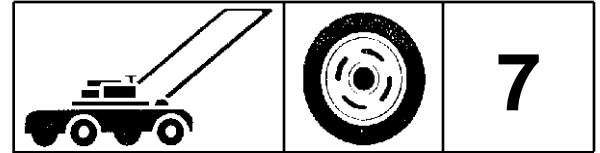
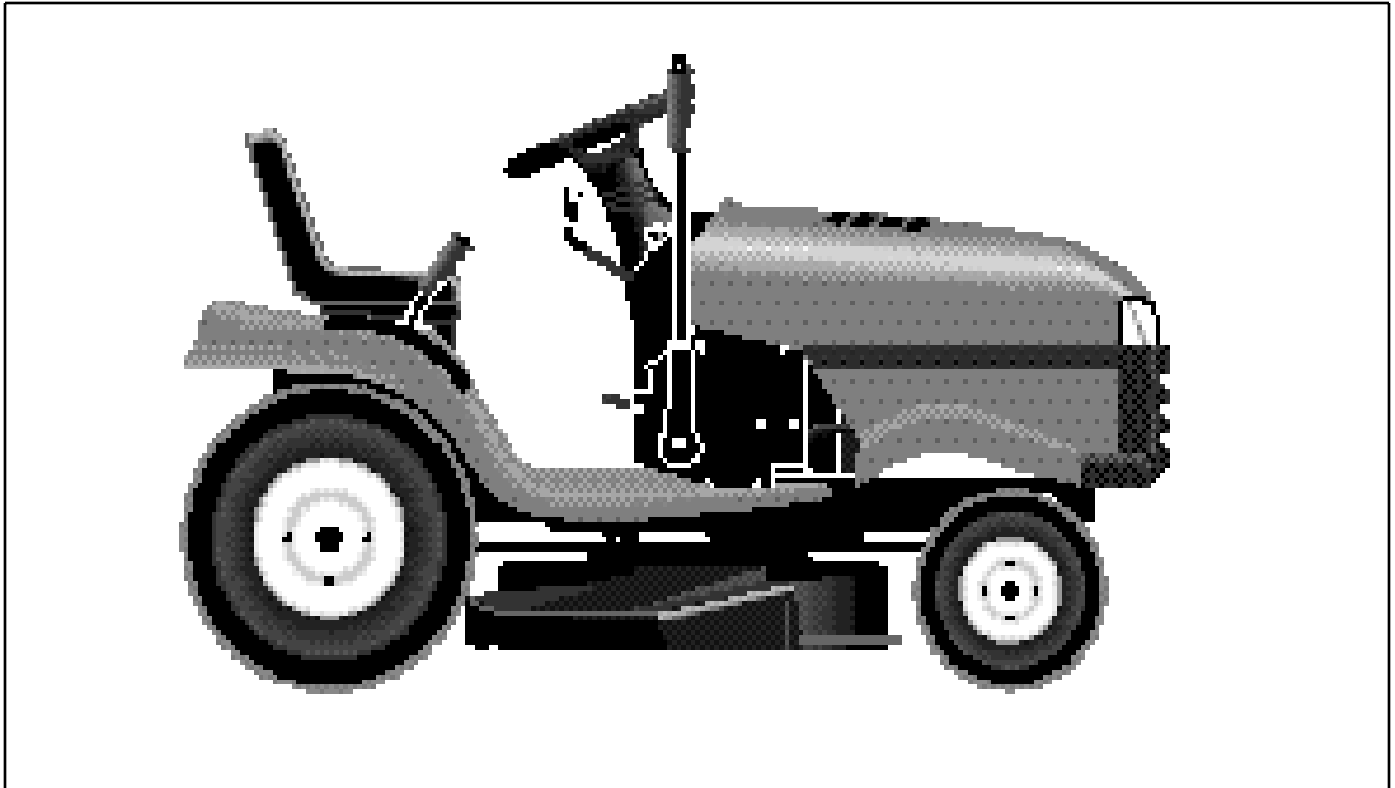


For Husqvarna Parts Call 606-678-9623 or 606-561-4983

 **Husqvarna**



YTH 180



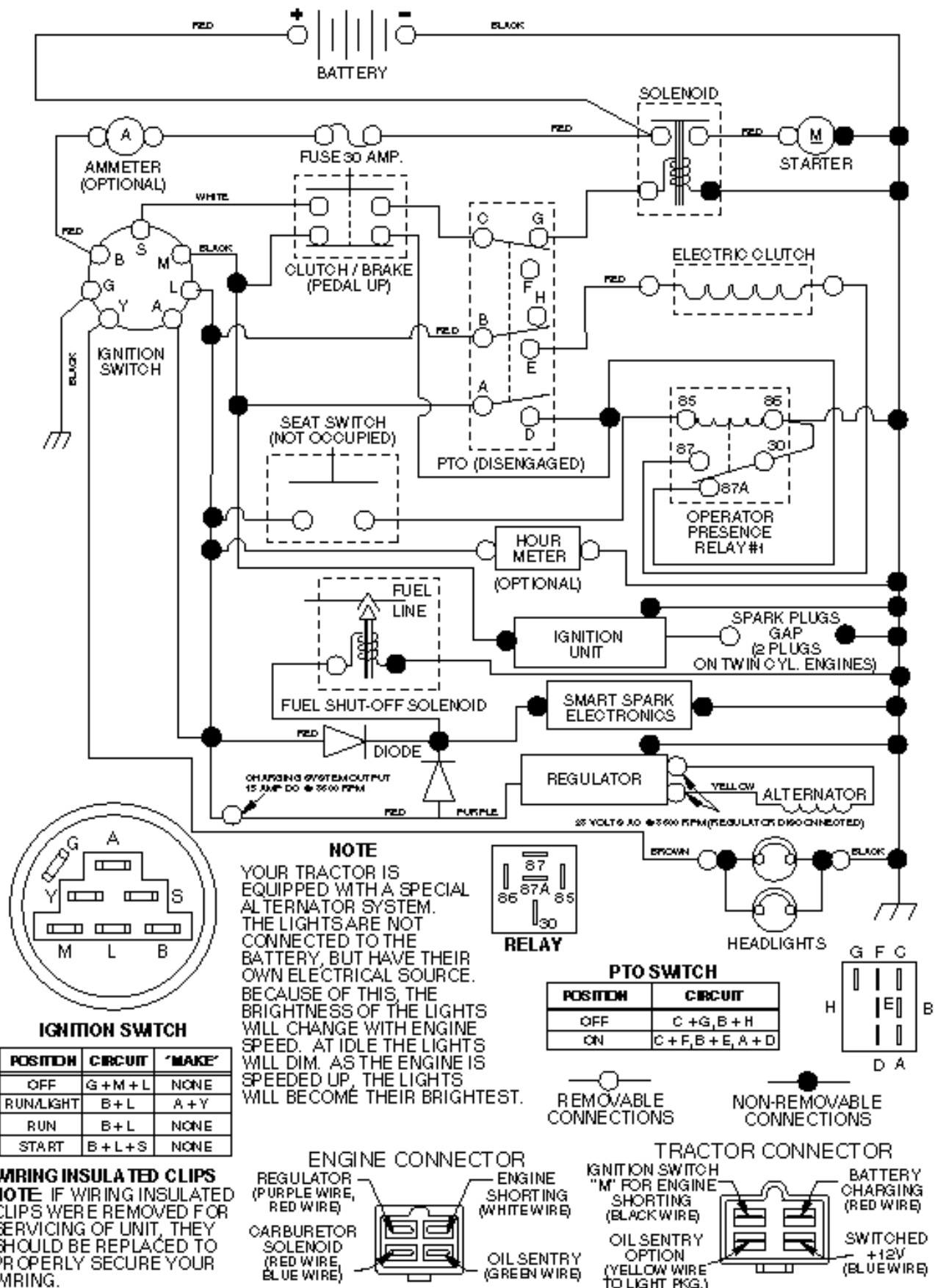
1.1997
Spare Parts

954 14 00-10D

For Husqvarna Parts Call 606-678-9623 or 606-561-4983 REPAIR PARTS

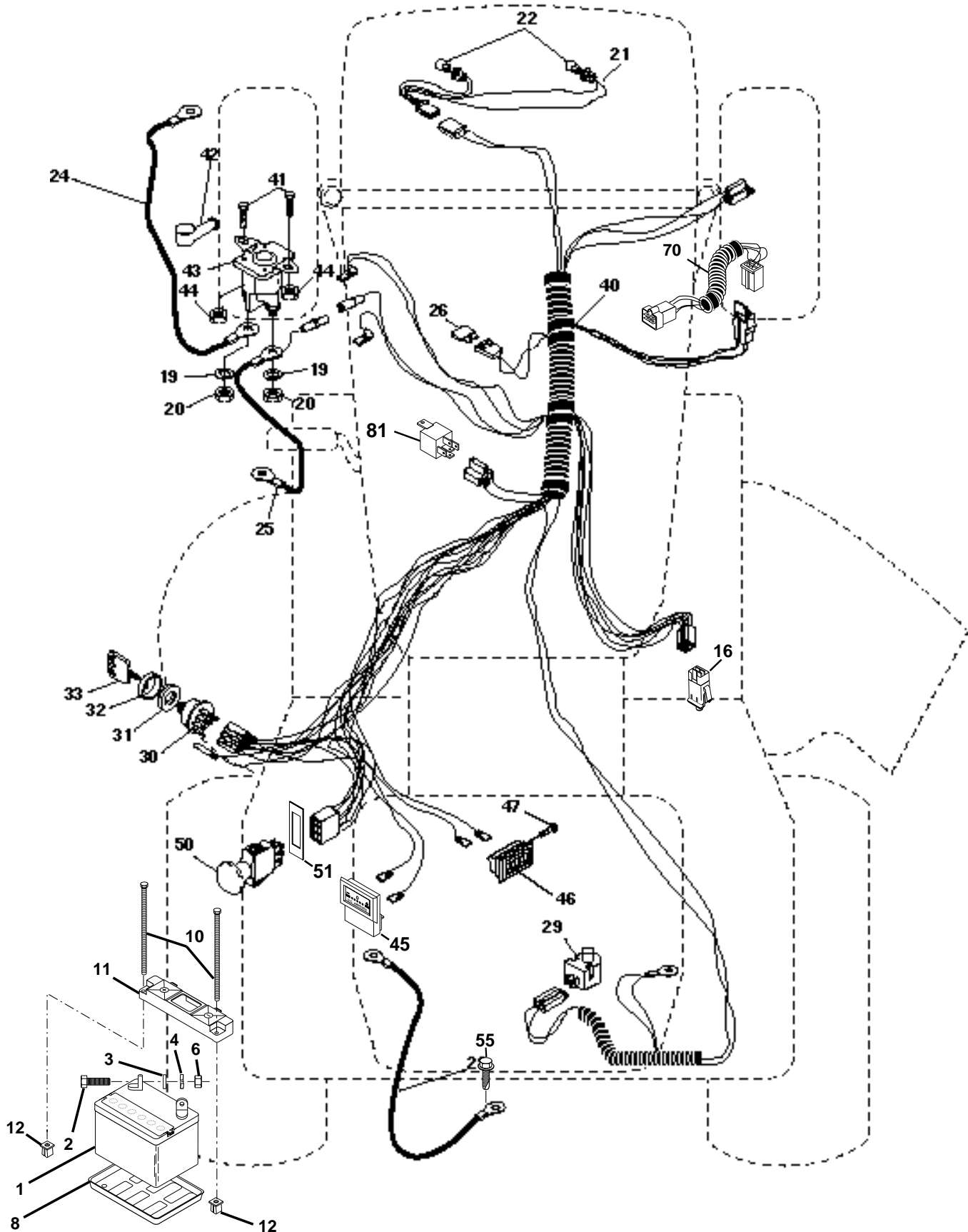
TRACTOR - MODEL NO. YTH180 (954140010D), PRODUCT NO. 954 14 00-10

SCHEMATIC



For Husqvarna Parts Call 606-678-9623 or 606-561-4983 REPAIR PARTS

TRACTOR - MODEL NO. YTH180 (954140010D), PRODUCT NO. 954 14 00-10
ELECTRICAL



For Husqvarna Parts Call 606-678-9623 or 606-561-4983

REPAIR PARTS

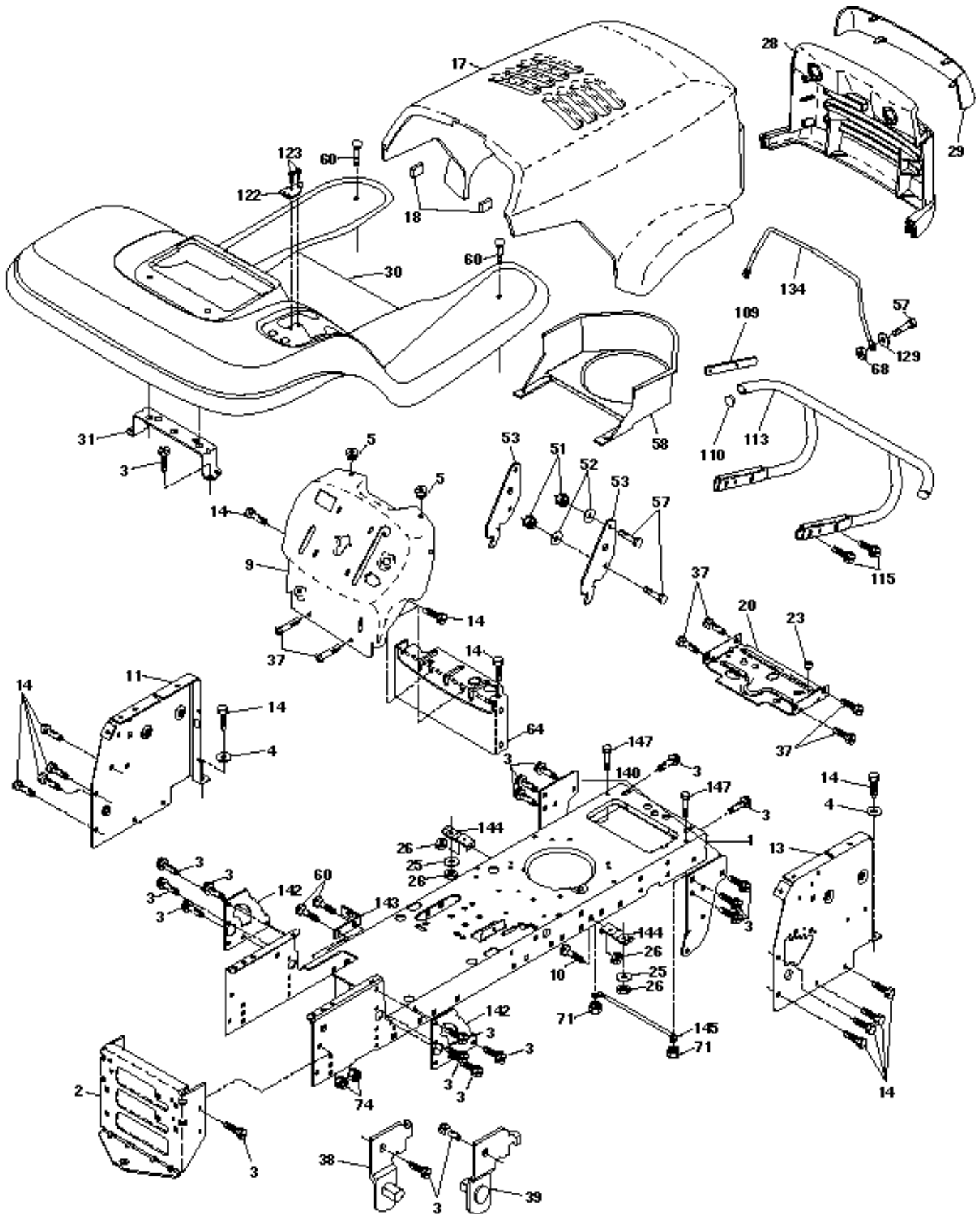
TRACTOR - MODEL NO. YTH180 (954140010D), PRODUCT NO. 954 14 00-10
ELECTRICAL

KEY NO.	PART NO.	DESCRIPTION
1	532144927	Battery 12 Volt 35 AMP
2	874760412	Bolt Hex Hd 1/4-20unc X 3/4
3	819091016	Washer 9/32 X 5/8 X 16 Ga.
4	810040400	Washer Lock Hvy Helical 1/4
6	873220400	Nut Fin Hex 1/4-20 Unc
8	532124886	Case Battery Mech Hinge
10	532145211	Bolt Brt Frt 1/4-20 x 75 Ainc
11	532150109	Holddown Battery Front Mount
12	532145769	Nut Push Nylon 1/4" Battery Frt
16	532153664	Switch Interlock Push-In
19	810090400	Washer Lock 1/4
20	873350400	Nut Jam Hex 1/4-20 Unc
21	532136850	Harness Asm Light W/4152j
22	532004152	Bulb Light #1156
24	532124780	Cable Battery 6 Ga 11" red
25	532146148	Cable Battery 6 Ga 22" red w/16 wire
26	532108824	Fuse 30 AMP Auto Green
28	532145491	Cable Ground 6 Ga 21" black
29	532160784	Switch Plunger Nc Gray
30	532140301	Switch Ign 4 pos w/lights
31	532124211	Nut Ignition
32	532141226	Cover Sw Ignition
33	532122147	Key Ign Modelled Generic
40	532160719	Harness Ign.
41	871110408	Bolt Blk Fin Hex 1/4 - 20 x 1/2
42	532131563	Cover Terminal Red
43	532145673	Solenoid
44	873640400	Nut Keps Hex 1/4-20 Unc
45	532122822	Ammeter Rectangular 15 Amp
46	532110940	Meter Hour
47	817011008	Screw 10-24 x 1/2 Black
50	532154959	Switch PTO 3 PDT Black Delta 96
51	532140405	Ring Retainer TTO
55	817490508	Screw Thdrol 5/16-18 x 1-1/2 Tyt
70	532157540	Harness, Eng.
81	5323109748	Relay Asm.

NOTE: All component dimensions given in U.S. inches.
1 inch = 25.4 mm.

For Husqvarna Parts Call 606-678-9623 or 606-561-4983
REPAIR PARTS

TRACTOR - MODEL NO. YTH180 (954140010D), PRODUCT NO. 954 14 00-10
CHASSIS AND ENCLOSURES



For Husqvarna Parts Call 606-678-9623 or 606-561-4983

REPAIR PARTS

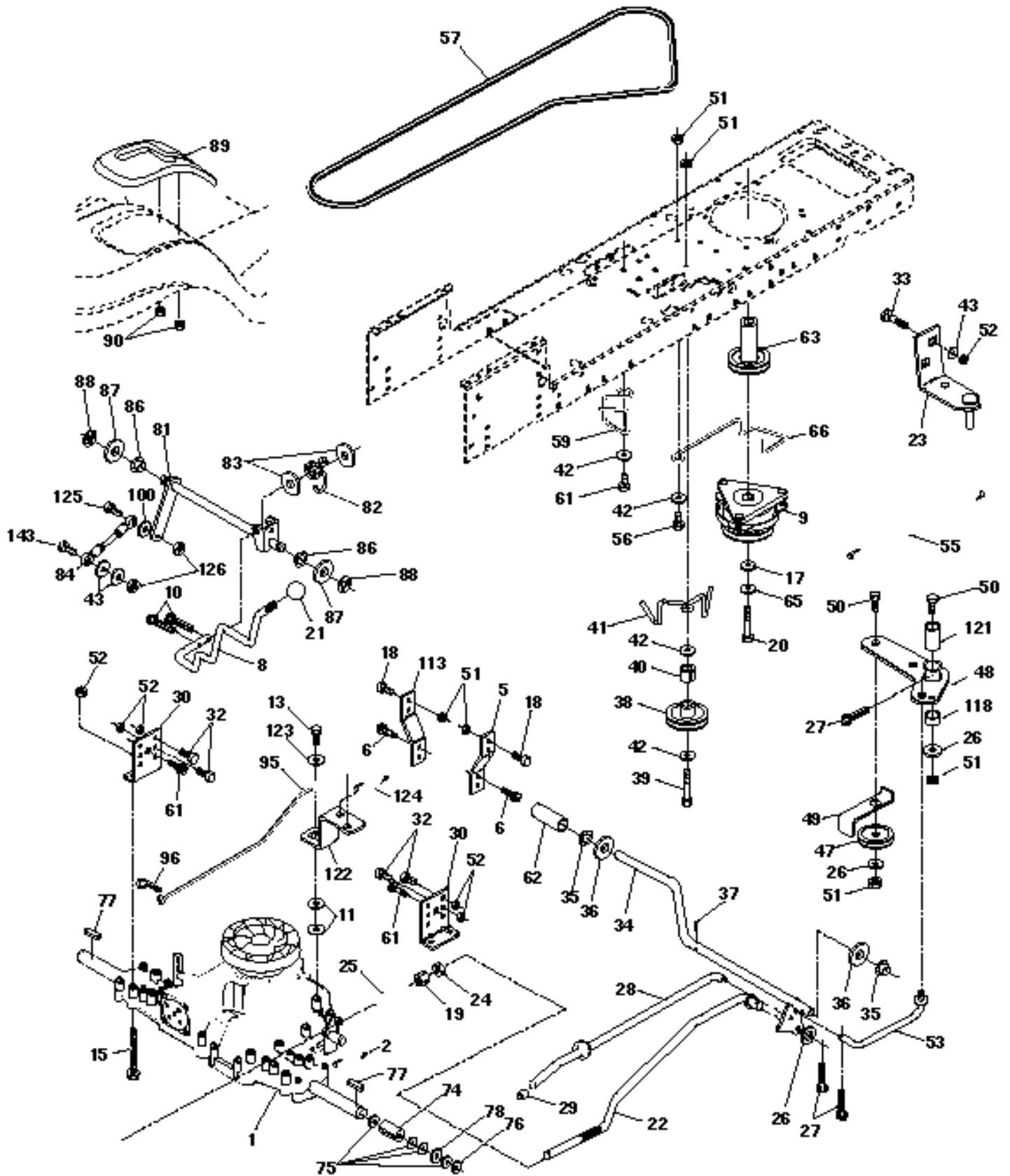
TRACTOR - MODEL NO. YTH180 (954140010D), PRODUCT NO. 954 14 00-10
CHASSIS AND ENCLOSURES

KEY NO.	PART NO.	DESCRIPTION
1	532159527	Chassis Weldment
2	532140356	Drawbar, Stretch
3	817490612	Screw Thdrol 3/8-16x3/4 Ty-tt
4	819131216	Washer 13/32 x 3/4 x 16 Ga.
5	532155272	Bumper Hood/Dash
9	532156490	Dash Slkscr
10	872140608	Bolt Carriage 3/8-16 x 1
11	532155927	Panel Dash Lh
13	532153913	Panel Dash Rh
14	817490608	Screw Thdrol 3/8-16x1/2 Ty-tt
17	532156051	Hood LT/PL Husqvarna
18	532126938	Bumper, Hood
20	532156437	Plate Mtg Battery Fuel Tank Fr
23	532124028	Bushing
25	819131312	Washer 13/32 X 13/16 X 12 Ga
26	873800600	Nut Lock Hex W/Ins 3/8-16 Unc
28	532149776	Grille LT/PL Husqvarna
29	532149777	Lens LT/PL Husqvarna
30	532156489	Fender Footrest STLT Pnt
31	532139976	Bracket Support Fender
37	817490508	Screw Thdrol 6/16-18 x 1/2 TYT
38	532139886	Bracket, Asm. Pivot, L.H., Mower Rear
39	532139887	Bracket, Asm. Pivot, R.H., Mower Rear
51	873800400	Nut Lock Hex W/Ins 1/4-20
52	819091416	Washer 9/32 x 7/8 x 16 Ga.
53	532150067	Bracket Pnt. Pick off LT/PL Husqvarna
57	874780412	Bolt Hex 1/4-20 x 3/4
58	532151171	Air Duct Engine CV18
60	872140606	Bolt Rdhd Sqnk 3/8-16unc x 3/4
64	532154798	Dash Lower STLT
68	873510400	Nut Keps Hex 1/4-20 Unc
71	873680400	Nut Crownlock 1/4-20 Unc
74	873680600	Nut Crownlock 3/8-16 UNC
109	532141461	Bracket Extension Bumper
110	532143679	Plug Plastic
111	872140612	Bolt Rdhd 3/8-16unc x 1-1/2
112	819131316	Washer 13/32 x 13/16 x 16 Ga.
113	532150300	Bumper Asm.
122	532157301	Bracket Shift STLT
123	532152927	Screw
129	819091016	Washer 9/32 x 5/8 x 16 Ga.
134	532160219	Rod Support Hood LT/PL Husq.
140	532158418	Bracket Chassis Front 7 Ga.
142	532156095	Plate Reinforcement STLT
143	532154966	Bracket Swaybar Chassis
144	532154207	Bracket Pnt Footrest STLT
145	532156524	Rod Pivot Chassis/Hood
146	532154334	Screw Torx Hd Thd 5/16-18 UN-2A
147	874760412	Bolt Hex Hd 1/4-20unc x 3/4

NOTE: All component dimensions given in U.S. inches
1 inch = 25.4 mm

For Husqvarna Parts Call 606-678-9623 or 606-561-4983 REPAIR PARTS

TRACTOR - MODEL NO. YTH180 (954140010D), PRODUCT NO. 954 14 00-10
DRIVE



For Husqvarna Parts Call 606-678-9623 or 606-561-4983

REPAIR PARTS

TRACTOR - MODEL NO. YTH180 (954140010D), PRODUCT NO. 954 14 00-10

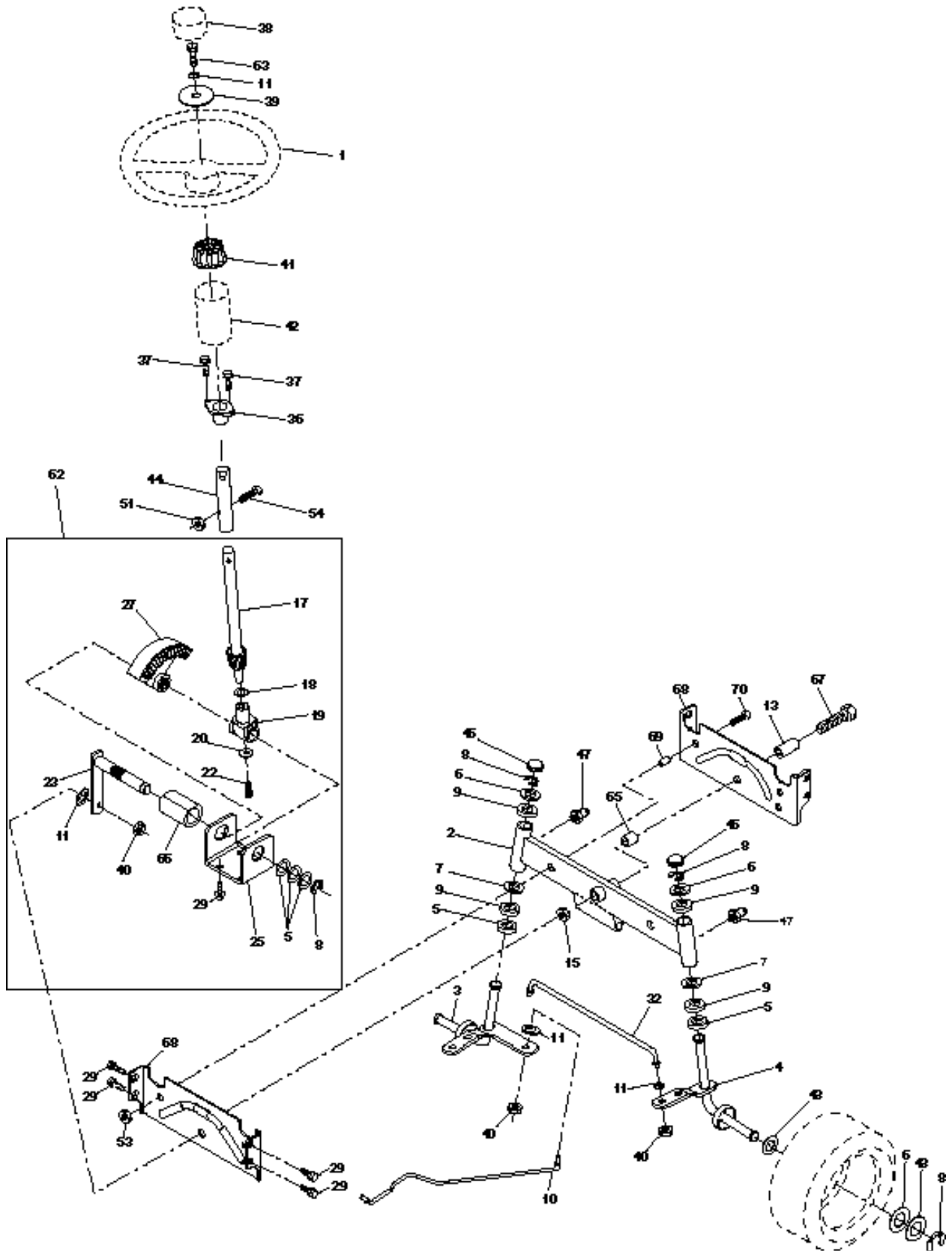
DRIVE

KEY PART NO. NO.	DESCRIPTION	KEY PART NO. NO.	DESCRIPTION
1 - - - - -	Transaxle (See Breakdown) Peerless Model 205-034B	50 874760624	Bolt
2 532146682	Spring, Return Brake	51 873680600	Nut Crownlock 3/8-16 UNC
5 532121520	Strap Torque	52 873680500	Nut, Crownlock 5/16-18 Unc
6 817490512	Screw Thdrol 5/16-18 x 3/4	53 532105710	Link, Clutch
8 532154792	Rod Shift Hydro LT	55 532105709	Spring, Return, Clutch
9 532137140	Clutch Elect	56 874760620	Bolt Hex 3/8-16 x 1-1/4
10 876020416	Pin Cotter 1/8 x 1 CAD	57 532156971	V-Belt, Ground Drive
11 532105701	Washer Plate Shf	59 532140312	Keeper, Center Span
13 874550412	Bolt 1/4-28 Unf Gr. 8 W/Patch	61 817490612	Screw Thdrol. 3/8-16 x 3/4 Ty. TT
15 874490544	Bolt Hex Flghd 5/16-18 Gr. 5	62 532123533	Cover, Pedal
17 532126197	Washer 1-1/2OD x 15/32 ID x .250	63 532140189	Pulley, Engine
18 874780616	Bolt Fin Hex 3/8-16 Unc x 1 Gr. 5	65 810040700	Washer
19 873800600	Nut Lock Hex W/Wsh 3/8-16 Unc	66 532154778	Keeper Belt Engine
20 532150280	Bolt Hex 7/16-20 x 4-1/4 5 Ga. 1.38	74 532156972	Spacer, Axle PVST
21 532140845	Knob	75 532121749	Washer 25/32 x 1-1/4 x 16 Gauge
22 532130804	Rod, Brake	76 812000001	E-Ring
23 532137141	Bracket Asm Mtg. Cl	77 532123583	Key, Square
24 873350600	Nut, Hex Jam 3/8-16 Unc	78 532121748	Washer 25/32 x 1-5/8 x 16 Gauge
25 532106888	Spring, Brake Rod	81 532156969	Shaft Asm. Cross Hydro
26 819131316	Washer	82 532123782	Spring Torsion T/A
27 876020412	Pin Cotter 1/8 x 3/4 CAD.	83 819171216	Washer 17/32 x 3/4 x 16 Ga.
28 532145204	Rod, Parking Brake	84 532156962	Rod, Tie PVST 20"
29 532071673	Cap, Parking Brake	86 532071208	Bushing Rod Strig. 629/632 ID
30 532130807	Bracket, Transaxle	87 819212016	Washer 21/32 x 1-1/4 x 16 Ga.
32 874760512	Bolt Hex Hd 5/16-18 Unc x 3/4	88 812000008	Ring Klip #5304-62
33 872140506	Bolt RdHd Sqnk 5/16-18 Unc x 3/4	89 532154882	Console, Shift
34 532155071	Shaft, Foot Pedal	90 532124346	Nut Self-Thd Wsh-Hd 1/4 Zinc
35 532120183	Bearing, Nylon	95 532156970	Rod Asm Bypass PVST
36 819211616	Washer	96 532124788	Retainer Spring 1" Zinc/Cad
37 532124963	Pin, Roll	100 819111216	Washer 11/32 x 3/4 x 16 Ga.
38 532123674	Pulley, Idler, Flat	113 532127285	Strap Torque LH LT
39 874760644	Bolt	118 532154774	Spacer Bellcrank
40 532124965	Spacer, Split	121 532154419	Nyliner Clutching STL
41 532154777	Keeper, Belt, Idler	122 532156963	Plate Bypass PVST
42 819131312	Washer 13/32 x 13/16 x 12 Gauge	123 819091016	Washer 9/32 x 5/8 x 16 Ga.
43 819111012	Washer 11/32 x 5/8 x 12 Ga.	124 532156967	Spring Return PVST
47 532127783	Pulley, Idler, V-Groove	125 874780516	Bolt Fin Hex 5/16-18 Unc x 1
48 532154604	Bellcrank Assembly	126 532124949	Nut Lock 5/16-18 Unc
49 532123205	Retainer, Belt	143 874780520	Bolt Fin Hex 5/16-18 Unc x 1-1/4

NOTE: All component dimensions given in U.S. inches
1 inch = 25.4 mm

For Husqvarna Parts Call 606-678-9623 or 606-561-4983 REPAIR PARTS

TRACTOR - MODEL NO. YTH180 (954140010D), PRODUCT NO. 954 14 00-10
STEERING ASSEMBLY



For Husqvarna Parts Call 606-678-9623 or 606-561-4983

REPAIR PARTS

TRACTOR - MODEL NO. YTH180 (954140010D), PRODUCT NO. 954 14 00-10
STEERING ASSEMBLY

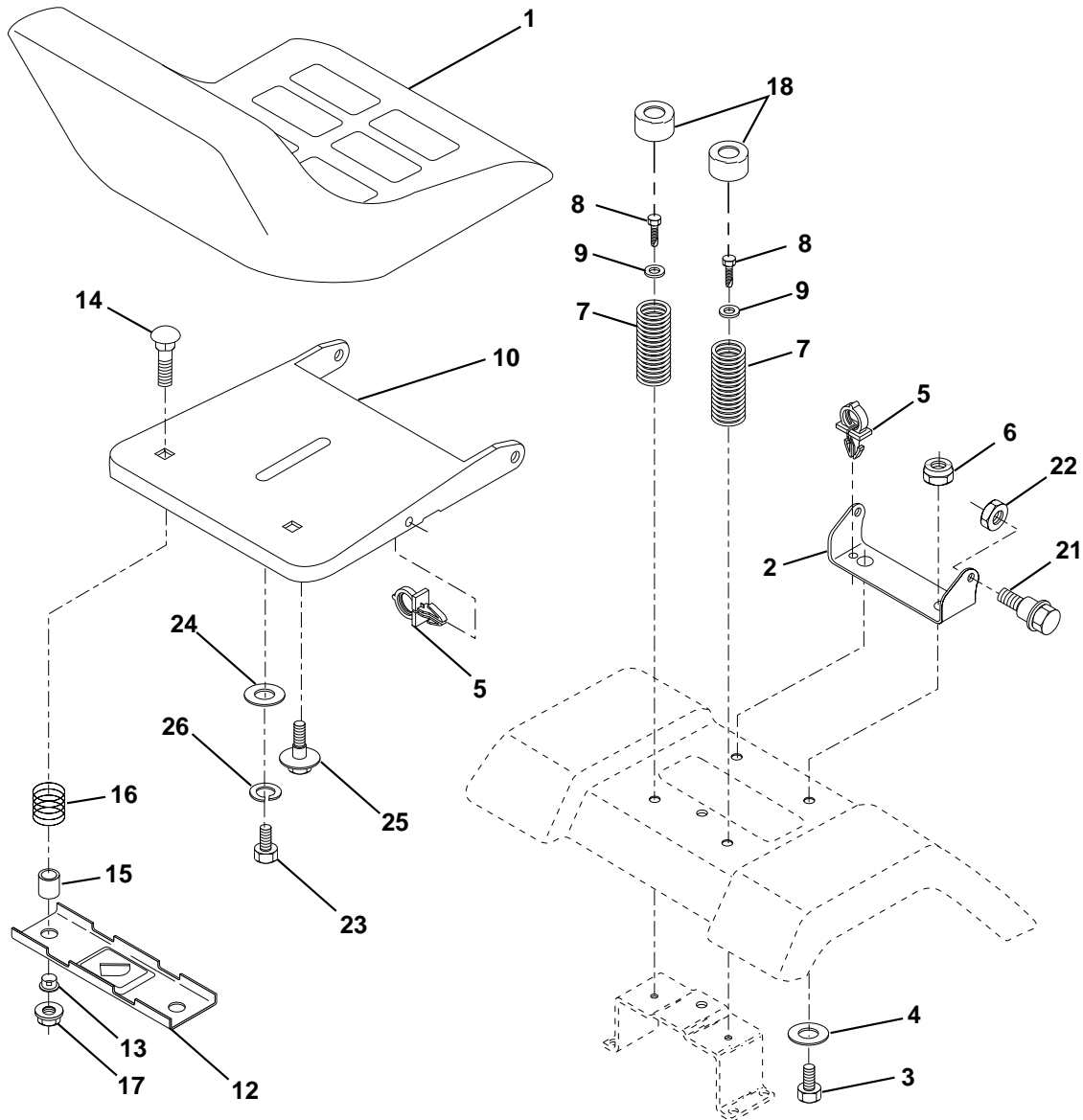
KEY NO.	PART NO.	DESCRIPTION
1	532124415	Wheel Steering
2	532137094	Axle Front Casting Machined
3	532157479	Spindle Asm LH
4	532157478	Spindle Asm RH
5	532124931	Bearing Race Thrust Harden
6	532121748	Washer 25/32 X 1-5/8 X 16 Ga
7	819272016	Washer 27/32 X 1-1/4 X 16 Ga
8	812000029	Ring Klip #t5304-75
9	532124937	Bearing Col Strg Blk
10	532154432	Link Drag Extended Cast
11	810040600	Washer Lock Hvy Hlcl Spr 3/8
13	532154779	Bearing Axle STLT/GT
15	873901000	Nut Lock Flange 5/8-11 Unc
17	532156546	Shaft Asm Strg
18	532057079	Washer Thrust 515x 750x 033
19	532124035	Support Shaft
20	532126684	Washer Shim 1/4 X 5/8 X 062
22	871200410	Screw Cap Sckt Hd Phos & Oil
23	532127501	Shaft Asm Pittman
25	532154406	Bracket Steering
26	543126847	Bushing Link Drag Blk LR
27	532136874	Gear Sector
28	819131416	Washer 13/32 X 7/8 X 16 Ga
29	817490612	Screw Thdrol 3/8-16x3/4 Ty-tt
30	876020412	Pin Cotter 1/8 X 3/4 Cad
32	532137347	Rod Asm Tie Ball
36	532155099	Bushing Strg
37	532152927	Screw
38	532124416	Insert Cap Strg Wh Au
39	819133808	Washer 13/32 X 2-3/8 X 8 Ga
40	532124701	Lock nut
41	532100711	Adaptor Wheel Strg
42	532155092	Boot Steering Shaft
43	532121749	Washer 25/32 X 1 1/4 X 16 Ga
44	532153720	Extension Steering Shaft LR/LT
46	532121232	Cap Spindle Fr Top Blk
47	532124836	Fitting Grease
51	873800500	Nut Lock Hex w/Ins 5/16-18
53	873680600	Nut Crownlock 3/8-16unc
54	874780520	Bolt Fin Hex 5/16-18 Unc x 1-1/4
62	532156594	Kit, Steering Assembly Svc
63	874780616	Bolt Fin Hex 3/8-16unc x 1 Gr. 5
65	532154780	Spacer Axle
66	532154404	Bearing Arm Pittman
67	874781044	Bolt, Fin Hex 5/8-11 UNC x 2-3/4
68	532154429	Axle, Brace
69	532160367	Spacer Brace Axle
70	874780636	Bolt Fin Hex 3/8-16unc x 2-1/4

NOTE: All component dimensions given in U.S. inches.
1 inch = 25.4 mm.

For Husqvarna Parts Call 606-678-9623 or 606-561-4983

REPAIR PARTS

TRACTOR - MODEL NO. YTH180 (954140010D), PRODUCT NO. 954 14 00-10
SEAT ASSEMBLY



KEY PART NO. NO.

DESCRIPTION

1	532140840	Seat
2	532140551	Bracket Pivot Seat 8 720
3	874760616	Bolt Fin Hex 3/8-16unc X 1
4	819131610	Washer 13/32 X 1 X 10 Ga
5	532145006	Clip Push-In
6	873800600	Nut Hex w/Ins. 3/8-16 Unc
7	532124181	Spring Seat Cprsn 2 250 Blk Zi
8	817490616	Screw Thdrol 3/8-16 X 1 Ty-tt
9	819131614	Washer 13/32 X 1 X 14 Ga.
10	532155925	Pan Seat
12	532121246	Bracket Mounting Switch
13	532121248	Bushing Snap Blk Nyl 50 Id
14	872050412	Bolt Rdhd Sqkn 1/4-20x1-1/2

KEY PART NO. NO.

DESCRIPTION

15	532121249	Spacer Split 28 x .88 Zinc
16	532123740	Spring Cprsn Plate
17	532123976	Nut Lock 1/4 Lge Flg Gr 5 Zinc
18	532124238	Cap Spring Seat
21	532153236	Bolt Shoulder 5/16-18 Unc
22	873800500	Nut Hex Lock W/Ins 5/16-18
23	874780814	Bolt, Hex Head, Fin 1/2-13 x 7/8 Grade 5
24	819171912	Washer 17/32 X 1-3/16 X 12 Ga.
25	532127018	Bolt Shoulder 5/16-18 X 62
26	810040800	Washer Lock

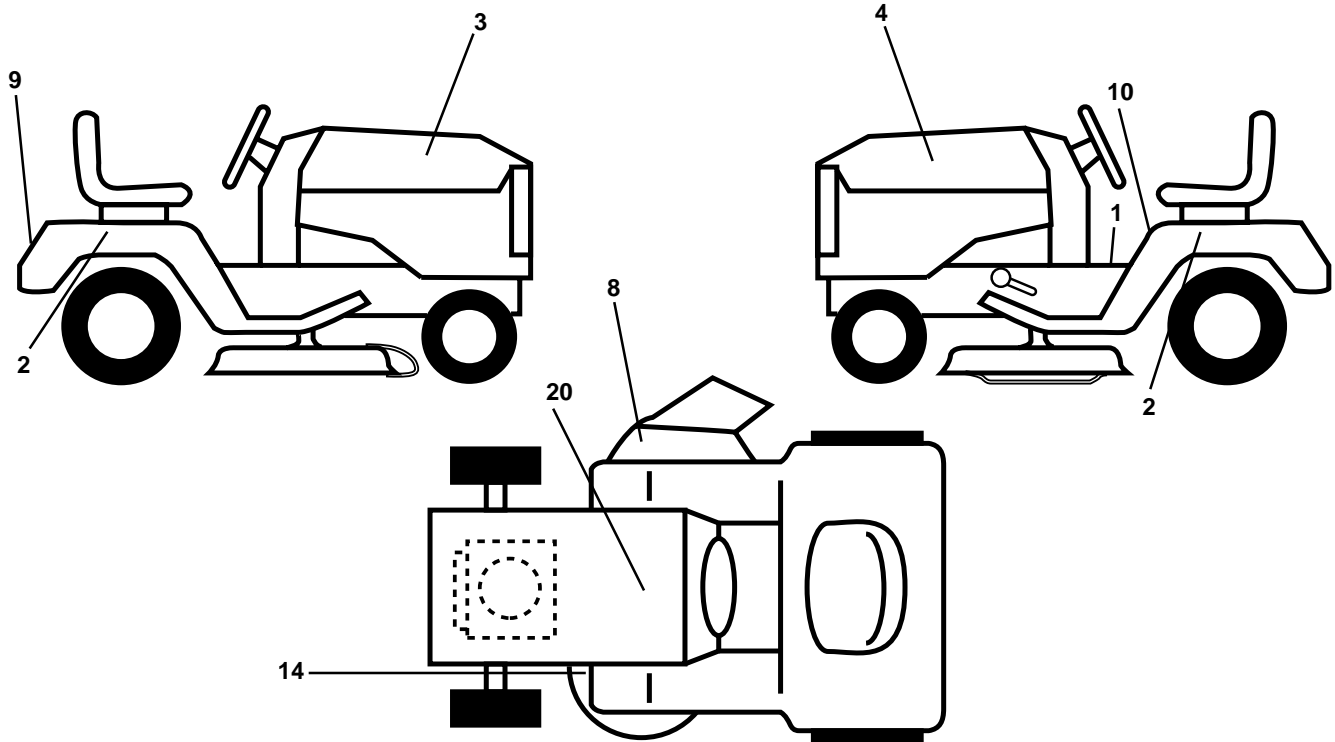
NOTE: All component dimensions given in U.S. inches.
1 inch = 25.4 mm

For Husqvarna Parts Call 606-678-9623 or 606-561-4983

REPAIR PARTS

TRACTOR - MODEL NO. YTH180 (954140010D), PRODUCT NO. 954 14 00-10

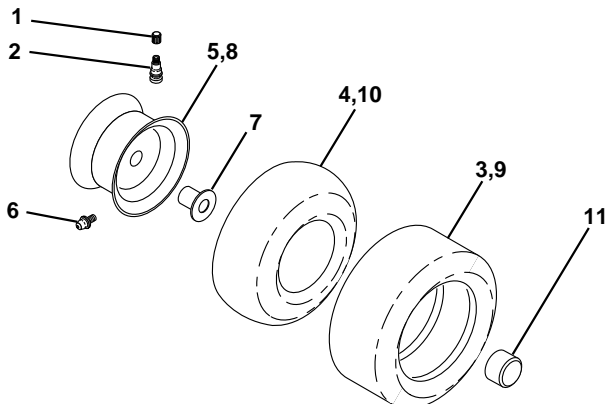
DECALS



KEY NO.	PART NO.	DESCRIPTION
1	532157032	Decal Oper Step Thru E/F
2	532157007	Decal Fender Auto Husq. Radius
3	532150727	Decal Hood RH
4	532150728	Decal Hood LH
8	532137259	Decal Warning
9	532150617	Decal Fender Husq
10	532157140	Decal Fender Danger E/F
14	532160397	Decal V-Belt Schematic
20	532145005	Decal Bat Dan/Psn
--	532142341	Decal Drawbar Cntrl Mvt Hyd Lt

KEY NO.	PART NO.	DESCRIPTION
--	532154515	Pad Footrest LH STL
--	532154516	Pad Footrest RH STL
--	532138311	Decal Handle Lft Height Adjust
--	532161049	Manual Owner's (English)
--	532161050	Manual Owner's (French)
Available accessories not included with tractor:		
--	LSB42	42" Snow Blower
--	LC05	Wheel Wts (Pair)
--	C42	Grass Catcher
--	LBD48	48" Snow Blade
--	LC06	Tire Chains

WHEELS & TIRES

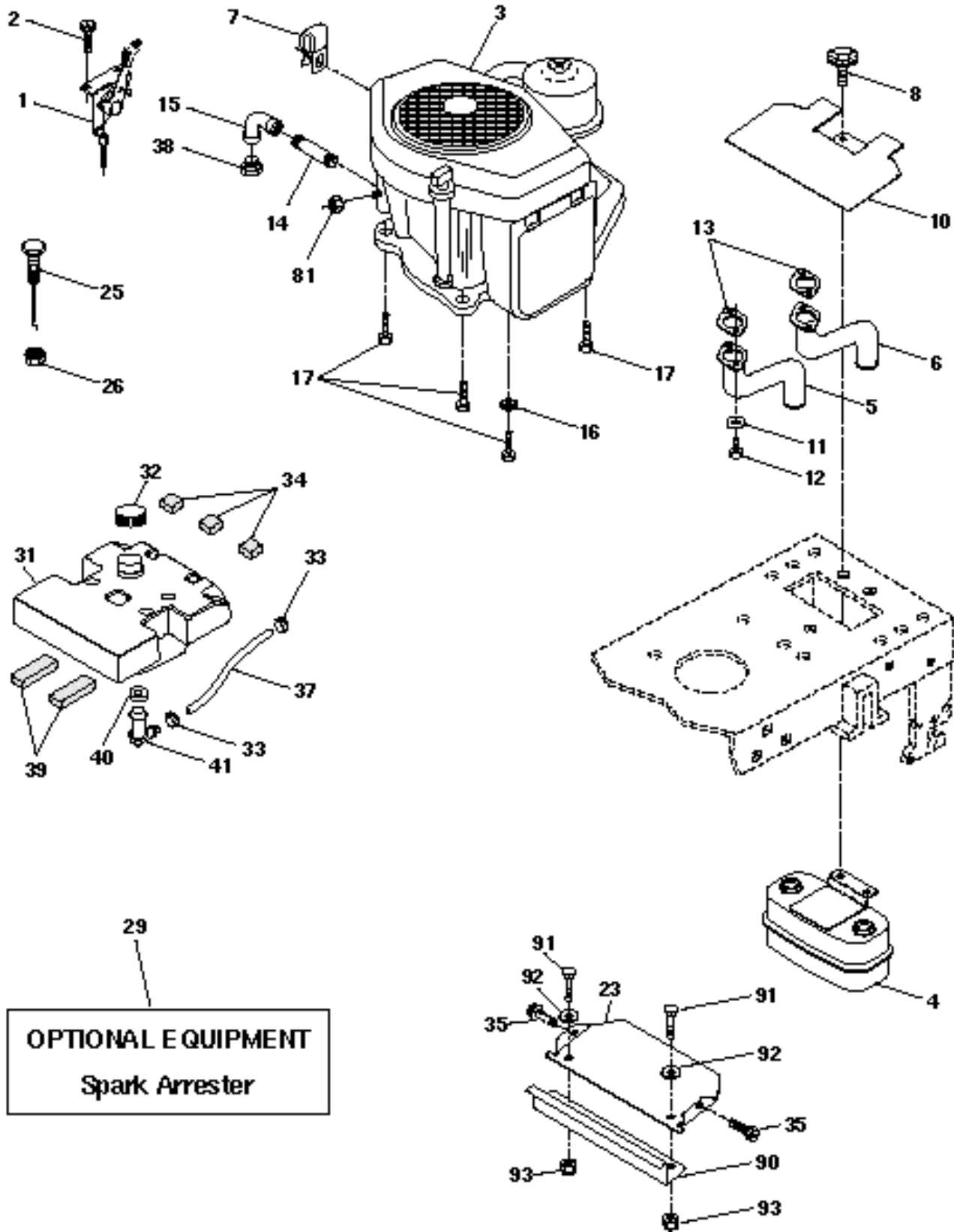


KEY NO.	PART NO.	DESCRIPTION
1	532059192	Cap Valve Tire
2	532065139	Stem Valve
3	532106222	Tire F Ts 15 X 6 0 - 6 Service
4	532059904	Tube Front (Service Item Only)
5	532138336	Rim Asm 6"front Silver Service
6	532124957	Fitting Grease (Front Wheel Only)
7	532124959	Bearing Flange (Front Wheel Only)
8	532138337	Rim Asm 8"rear Silver Service
9	532122082	Tire R Ts 20x10-8 C Service
10	532124926	Tube Rear (Service Item Only)
11	532104757	Cap Axle Blk 1 50 X 1 00
--	532144334	Sealant, Tire (10 oz. Tube)

NOTE: All component dimensions given in U.S. inches
1 inch = 25.4 mm

For Husqvarna Parts Call 606-678-9623 or 606-561-4983 REPAIR PARTS

TRACTOR - MODEL NO. YTH180 (954140010D), PRODUCT NO. 954 14 00-10
ENGINE



For Husqvarna Parts Call 606-678-9623 or 606-561-4983

REPAIR PARTS

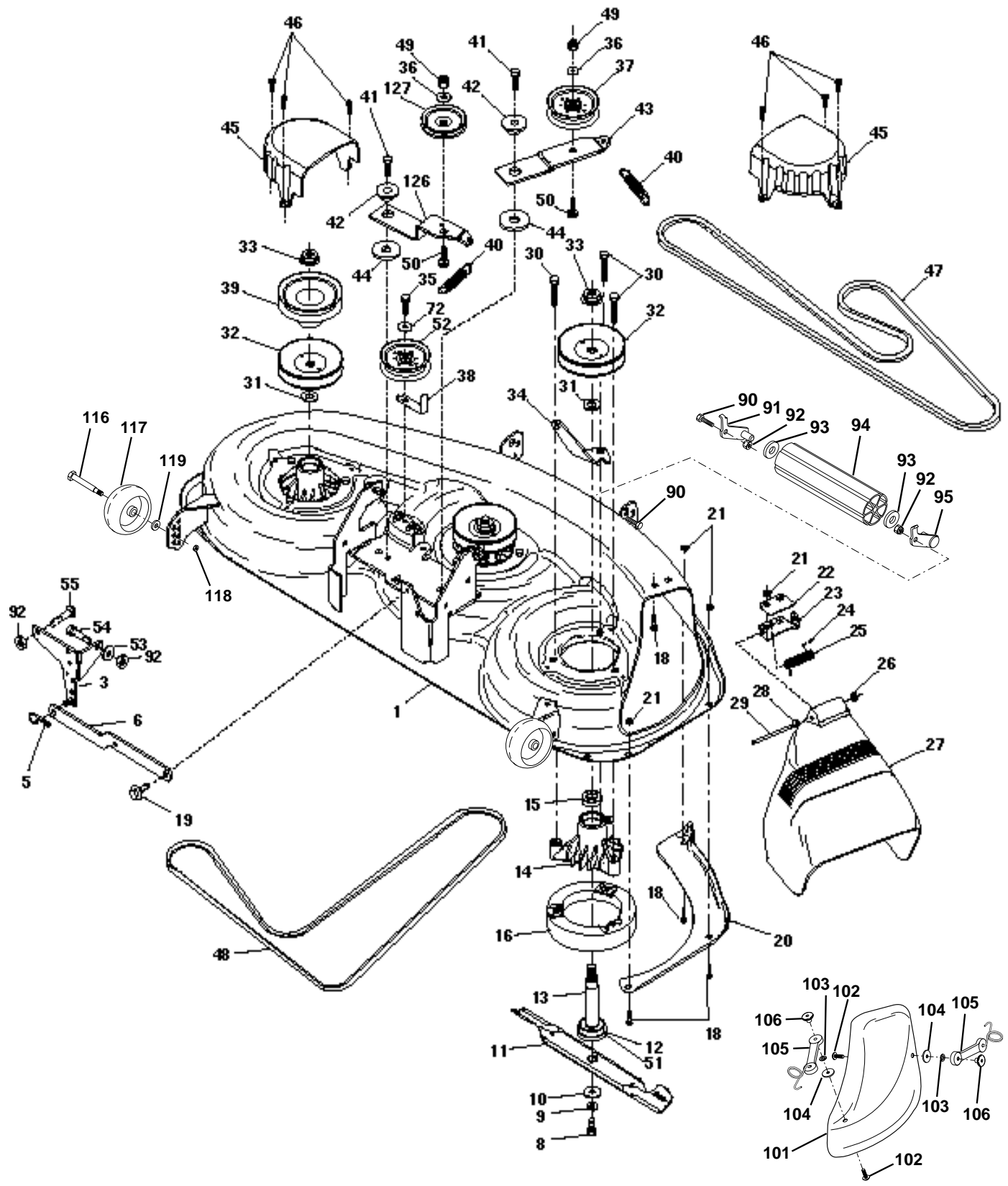
TRACTOR - MODEL NO. YTH180 (954140010D), PRODUCT NO. 954 14 00-10
ENGINE

KEY NO.	PART NO.	DESCRIPTION
1	532155274	Control Throt Flg 180 LH
2	817720410	Screw Hex Thd Cut 1/4-20x5/8 T
3	-----	Engine Model No. CV18S
4	532149723	Muffler Asm Twin Lo-Tone
5	532146699	Pipe Exhaust CV18/20 LH
6	532146700	Pipe Exhaust CV18/20 RH
7	532124996	Clip, Fuel Line
8	532150176	Bolt 5/16-18unc x 3/4 W/Sems
10	532146629	Shield Heat Muffler CV18/20
11	-----	Washer Lock Hvy Hlcl 1/4 (Order from Engine Manufacturer)
12	-----	Bolt, Fin Hex 1/4-20 x 3/4 (Order from Engine Manufacturer)
13	-----	Muffler Gasket (Order from Engine Manufacturer)
14	813280336	Nipple Pipe 3/8 Npt X 4-1/2"
15	813200300	Elbow Std 90 Degree 3/8-18 Npt
16	811050600	Washer Lock Ext Tooth 3/8
17	817490624	Screw Thdrol 3/8-16 x 1-1/2
23	532156123	Shield Browning
25	532145996	Choke Control 37"
26	873920600	Nut, Keps 3/8-24 Unf
29	532137180	Kit Spark Arrestor (Flat Scrn)
31	532157103	Tank Fuel 3 50 Rear
32	532140527	Cap Asm Fuel Top N/Lany Vented
33	532123487	Clamp Hose Blk
35	817490512	Screw Thdrol 5/16-18 x 3/4
34	532106082	Pad, Spacer
37	532124923	Line Fuel 7.5
38	-----	Plug Oil Drain (Order From Engine Manufacturer)
39	532109227	Pad, Idler
40	532124952	Bushing
41	532139277	Stem Tank Fuel
81	532128861	Nut Flange 1/4-20 Starter Nut
90	532159520	Guard Debris 97
91	871110408	Bolt Blk Fin Hex 1/4-20unc x 1/2
92	819091016	Washer 9/32 x 5/8 x 16 Ga.
93	532123976	Nut Lock 1/4 Lge Flg Gr 5 Ainc

NOTE: All component dimensions given in U.S. inches
1 inch = 25.4 mm

For Husqvarna Parts Call 606-678-9623 or 606-561-4983 REPAIR PARTS

TRACTOR - MODEL NO. YTH180 (954140010D), PRODUCT NO. 954 14 00-10
MOWER DECK



For Husqvarna Parts Call 606-678-9623 or 606-561-4983

REPAIR PARTS

TRACTOR - MODEL NO. YTH180 (954140010D), PRODUCT NO. 954 14 00-10

MOWER DECK

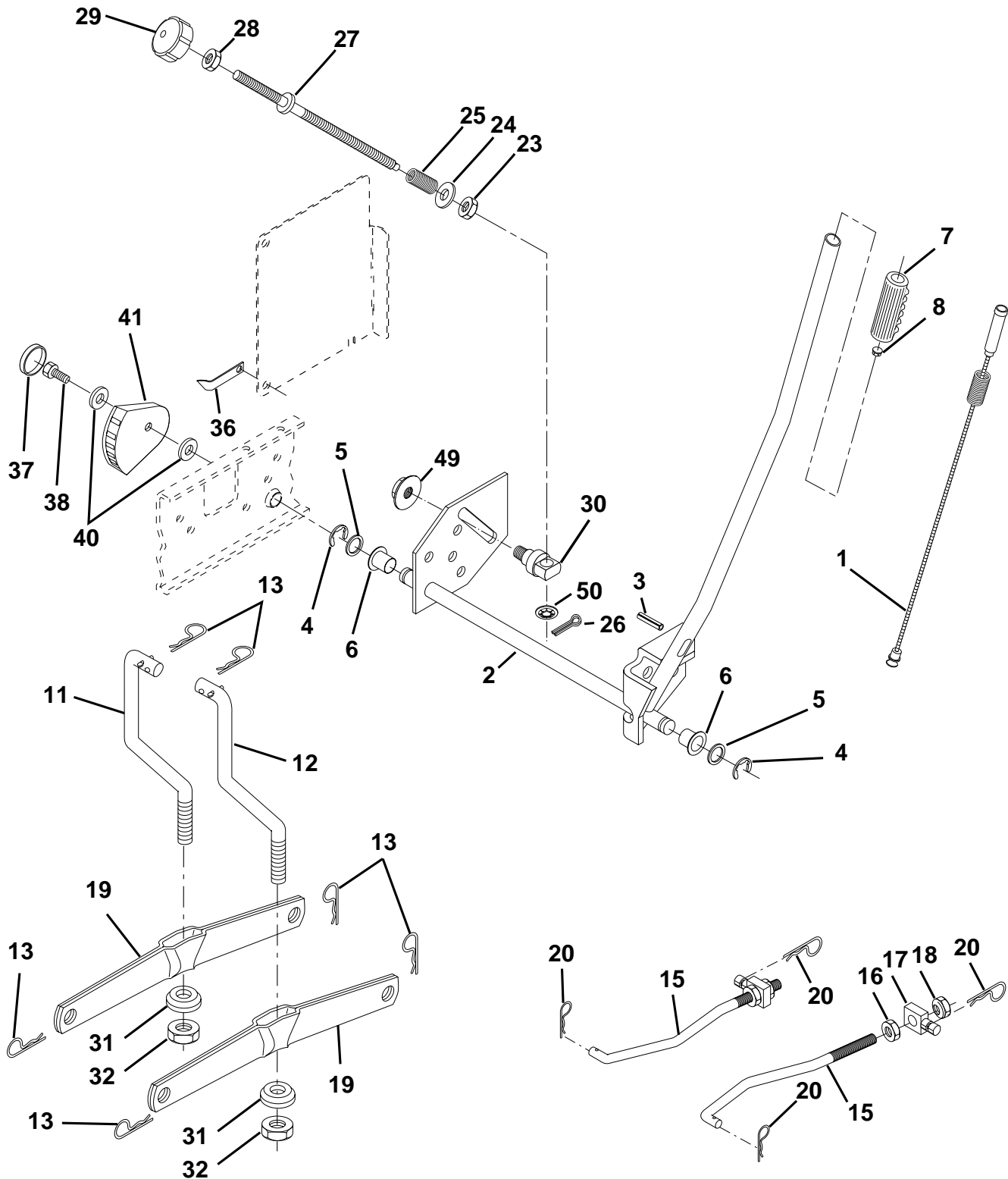
KEY NO.	PART NO.	DESCRIPTION	KEY NO.	PART NO.	DESCRIPTION
1	532156948	Deck Asm., Mower 46"	43	532144949	Arm, Idler Secondary
3	532138457	Bracket Asm., Sway Bar	44	532133943	Washer, Hardened
5	532124670	Retainer Spring	45	532145059	Cover, Mandrel Deck
6	532130832	Arm, Suspension, Rear (Sway Bar)	46	532137729	Screw, Thdroll. 1/4-20 x 5/8
8	532850857	Bolt, Patched 3/8-24 x 1-1/4 Gr. 8	47	532144959	V-Belt, Mower, Secondary
9	810030600	Washer, Lock Hvy., Unplated 3/8	48	532139573	V-Belt, Mower, Primary
10	532140296	Washer, Hard Blade, Mower Vented	49	873680600	Nut, Crownlock 3/8-16 UNC
11	532152443	Blade, 46" Mower Deck	50	872110612	Bolt, Carriage 3/8-16 x 1-1/2 Gr. 5
12	532129895	Bearing, Ball, Mandrel #6204	51	532153390	Washer, Felt
13	532137553	Shaft Asm. w/Lower Bearing (Includes Key No. 12)	52	532156493	Pulley Idler Flat 46 Pri. Drive
14	532137152	Housing, Mandrel	53	819131312	Washer 13/32 x 13/16 x 12 Ga.
15	532110485	Bearing, Ball, Mandrel	54	874780616	Bolt Fin Hex 3/8-16unc x 1 Gr. 5
16	532140329	Stripper, Mower Round	55	872140608	Bolt Rdhd Sqnc 3/8-16unc x 1
18	872140505	Bolt, Carriage 5/16-18 x 5/8	72	819131616	Washer 13/32 x 1 x 16 Ga.
19	532132827	Bolt, Hex Head, Shoulder 5/16-18	90	874760616	Bolt, Fin, Hex 3/8-16 UNC x 1
20	532145055	Baffle, Vortex Mower 46"	91	532132274	Bracket, Asm Noseroller, LH
21	873680500	Nut, Crownlock 5/16-18 UNC	92	873800600	Nut, Lock, Hex w/Ins 3/8-16UNC
22	532134753	Stiffener, Bracket	93	819171416	Washer 17/32 x 7/8 x 16 Ga.
23	532131267	Bracket, Deflector	94	532132264	Roller, Nose 38 & 42
24	532105304	Cap, Sleeve	95	532132273	Bracket, asm Noseroller RH
25	532149287	Spring, Torsion, Deflector	101	532145579	Cover, Mulching
26	532110452	Nut, Push	102	871161010	Screw
27	532157788	Shield, Deflector Mower	103	810071000	Washer, Lock #10
28	819111016	Washer 11/32 x 5/8 x 16 Ga.	104	819061216	Washer
29	532131491	Rod, Hinge	105	532160793	Latch Asm. Bagger
30	532157722	Screw, Thdroll, Washer Head	106	532125004	Nut, Weld
31	532129963	Washer, Spacer Mower Vented	116	532137644	Bolt, Shoulder
32	532153531	Pulley, Mandrel	117	532133957	Gauge Wheel
33	532137266	Nut, Flg. Top Lock Cntr. 9/16	118	873930600	Nut, Centerlock 3/8-16 UNC
34	532144945	Anchor, Spring Deck 46"	119	819121414	Washer 3/8 x 7/8 x 14 Ga.
35	817490628	Screw, Thdroll 3/8-16 x 1-3/4 Tytt	126	532144948	Arm, Idler, Primary Deck 46"
36	819131316	Washer 13/32 x 13/16 x 16 Ga.	127	532146763	Pulley, Idler, V-Groove Dim. 4.25
37	532131494	Pulley, Idler, Flat	--	532143651	Mandrel Assembly (Includes Key Nos. 8-10, 12-15, 31 and 33)
38	532156086	Keeper, Belt, Idler	--	532158851	Mower Serv 46" (Standard Deck Order nose roller, guage wheels, and mulching plate components separately Key Nos. 90-95,116-118, 101-106)
39	532144917	Pulley, Idler, Driven			
40	532137273	Spring, Secondary 44/46/50 Vent			
41	817490620	Screw, Thdroll 3/8-16 x 1-1/4 Tytt			
42	532122052	Spacer, Retainer			

NOTE: All component dimensions given in U.S. inches
1 inch = 25.4 mm

For Husqvarna Parts Call 606-678-9623 or 606-561-4983 REPAIR PARTS

TRACTOR - MODEL NO. YTH180 (954140010D), PRODUCT NO. 954 14 00-10

MOWER LIFT



For Husqvarna Parts Call 606-678-9623 or 606-561-4983

REPAIR PARTS

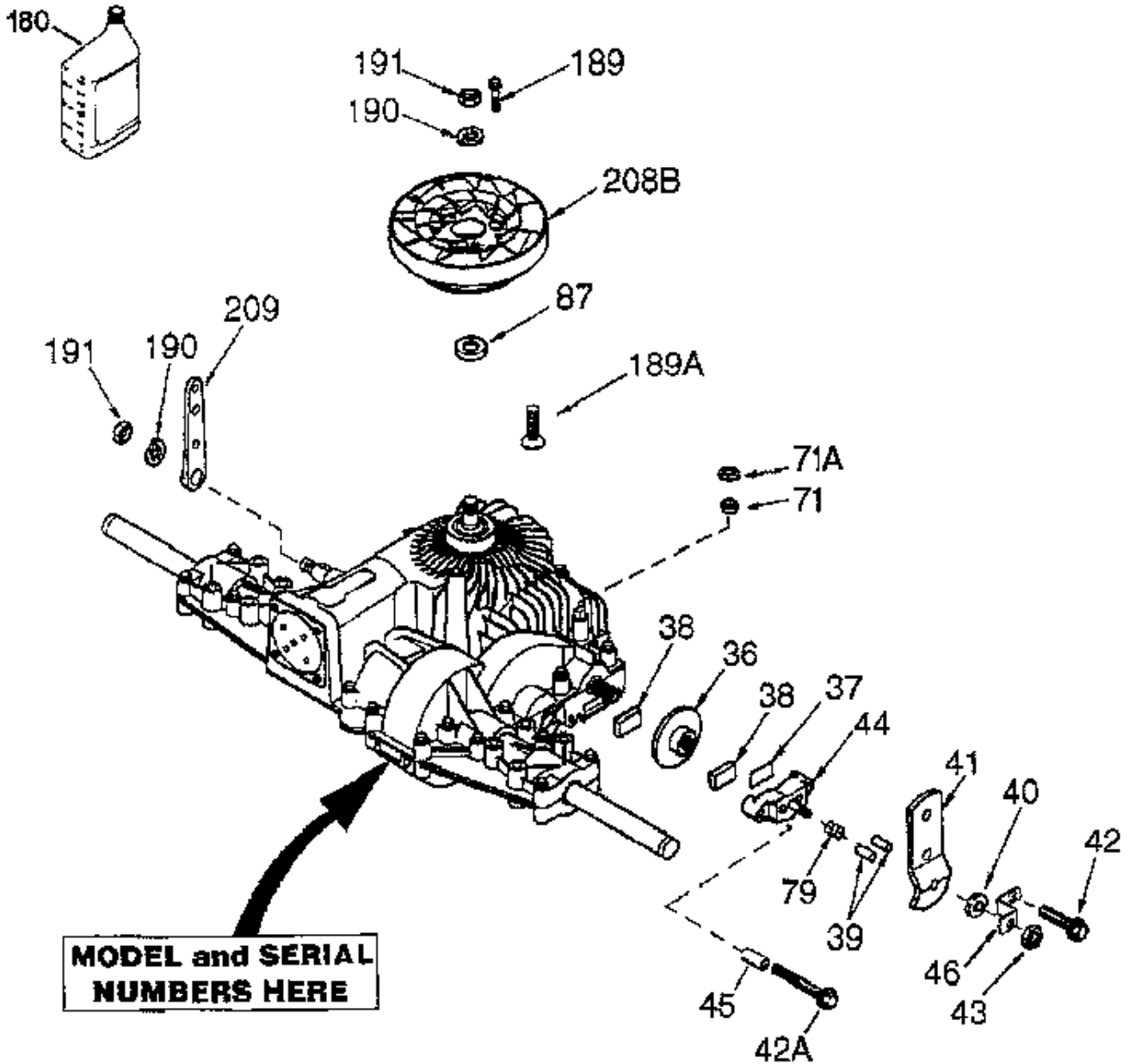
TRACTOR - MODEL NO. YTH180 (954140010D), PRODUCT NO. 954 14 00-10
MOWER LIFT

KEY NO.	PART NO.	DESCRIPTION
1	532159460	Wire Asm Inner/Spring W/Plunger LT
2	532159471	Shaft Asm Lift RH w/Inf
3	532105767	Pin Groove 1 500 Zinc
4	812000002	E Ring #5133-62
5	819211621	Washer 21/32 X 1 X 21 Ga
6	532120183	Bearing Nylon Blk 629 Id
7	532125631	Grip Handle Fluted Blk
8	532124526	Button Plunger Black
11	532139865	Link Lift LH Fixed Length
12	532139866	Link Lift RH Fixed Length
13	532124670	Retainer Spring
15	532127218	Link Front
16	873350800	Nut Jam Hex 1/2-13 Unc
17	532130171	Trunnion Blk Zinc
18	873800800	Nut Lock W/wsh 1/2-13unc
19	532139868	Arm Suspension Rear
20	532124660	Retainer Spring
23	532110807	Nut Special
24	819131016	Washer 13/32 X 5/8 X 16 Ga
25	532124874	Spring 2-1/8"
26	876020308	Pin Cotter 3/32 X 1/2
27	532126971	Rod Adj Lift Zinc 7.49 Wrk Lg
28	873350600	Nut Hex Jam 3/8-16 Unc
29	532138057	Knob Inf 3/8-16 Unc Blk W/sym
30	532150233	Trunnion Infin Height
31	532140302	Bearing Pvt Lift Spherical
32	873540600	Nut Crownlock 3/8 - 24
36	532155097	Indicator Height STLT
37	532123935	Plug Hole Blk 1.485/1.515 Dia.
38	817490512	Screw Thdrol 5/16-18 x 3/4
40	819112410	Washer 11/32 x 1-1/2 10 Ga.
41	532155098	Scale Ind. Height Blk.
49	532145212	Nut Hex Flange Lock
50	532110452	Nut, Push Phos & Oil

NOTE: All component dimensions given in U.S. inches
1 inch = 25.4 mm

For Husqvarna Parts Call 606-678-9623 or 606-561-4983
REPAIR PARTS

TRACTOR - MODEL NO. YTH180 (954140010D), PRODUCT NO. 954 14 00-10
PEERLESS TRANSAXLE - MODEL NUMBER 205-034B



For Husqvarna Parts Call 606-678-9623 or 606-561-4983

REPAIR PARTS

TRACTOR - MODEL NO. YTH180 (954140010D), PRODUCT NO. 954 14 00-10

PEERLESS TRANSAXLE - MODEL NUMBER 205-034B

REF PART NO. NO.	DESCRIPTION	REF PART NO. NO.	DESCRIPTION
36 790075	Brake Disc	71A 792162	Pushnut, 9/16"
37 790007	Brake Pad Plate	79 792144	Spring
38 799021	Brake Pad (pkg of 2)	87 788035	Oil Seal, 5/8"
39 786026	Dowel Pin	180 730229A	Gear Oil 80W90
40 792076A	Flat Washer	189 792168	Drive Screw #6 x 1/2"
41 790085	Brake Lever	189A 792169	Screw, 10-32 x 1/2"
42 792073	Screw, 1/4-20 x 1-1/4"	190 792150	Lockwasher
42A 792085A	Screw, 1/4-20 x 2-1/4"	191 792151	Nut, 7/16-20
43 792075	Locknut, 5/16-24	208B 798025	Fan/Coupling (Incl. 189 & 189A)
44 790025	Brake Pad Holder	209 798024	Control Lever
45 786066	Spacer		
46 790086	Brake Lever Bracket		
71 788069	Square Cut Ring		

Parts must be ordered from Tecumseh Products Co.
NOTE: All component dimensions given in U.S. inches
1 inch = 25.4 mm