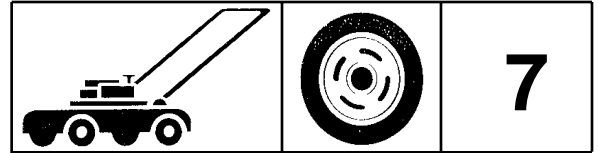
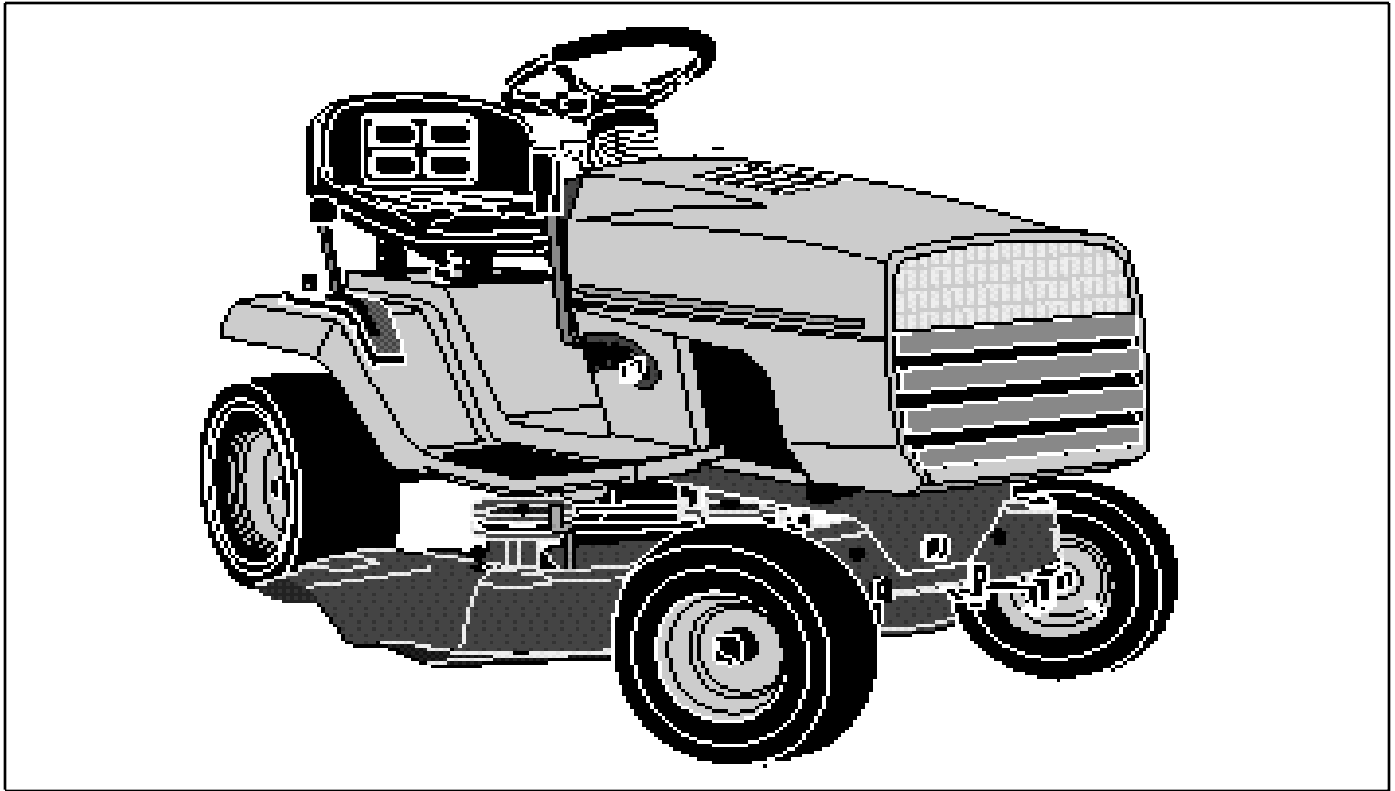


For Husqvarna Parts Call 606-678-9623 or 606-561-4983

 **Husqvarna**



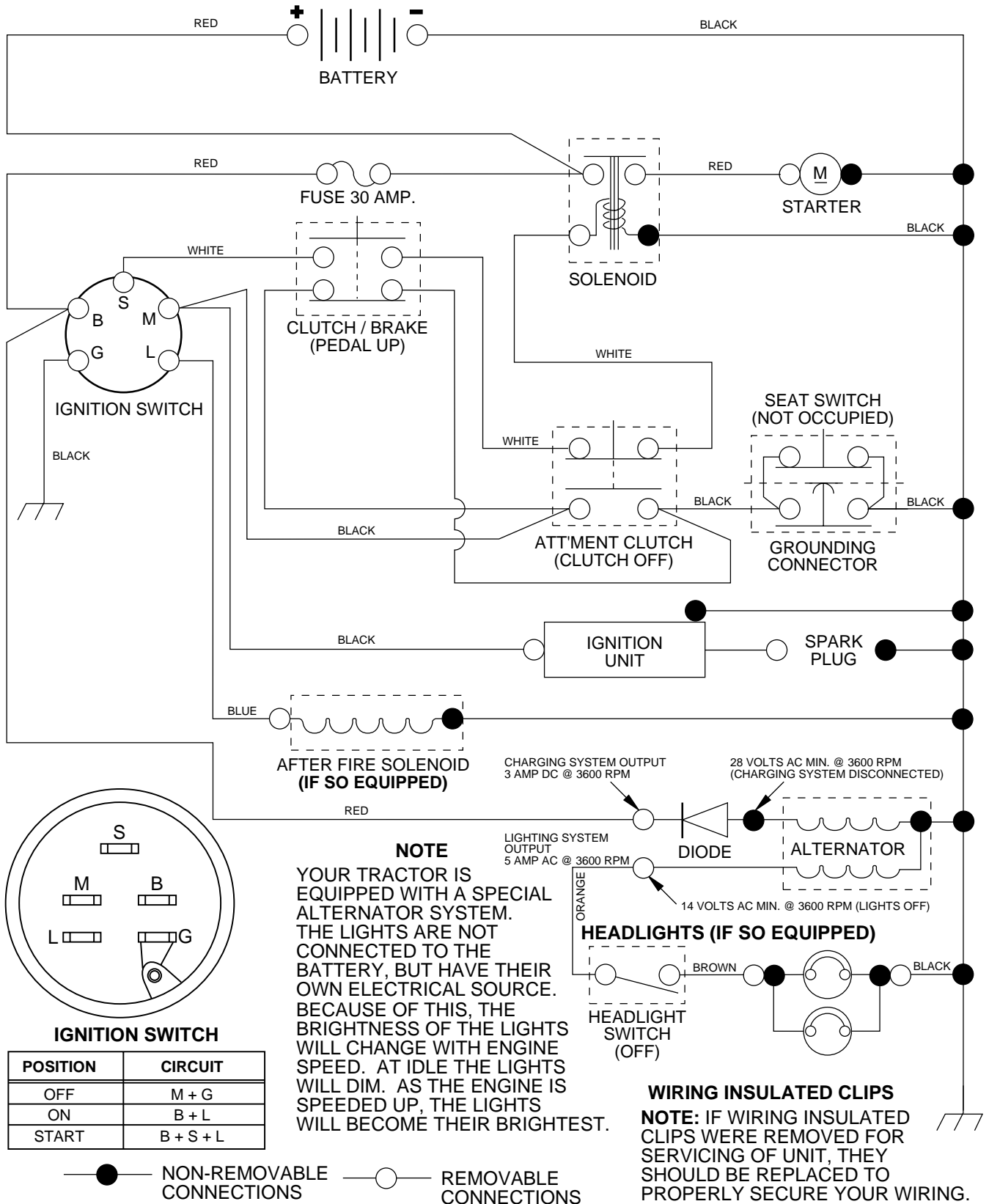
LR 121



1.1997
Spare Parts

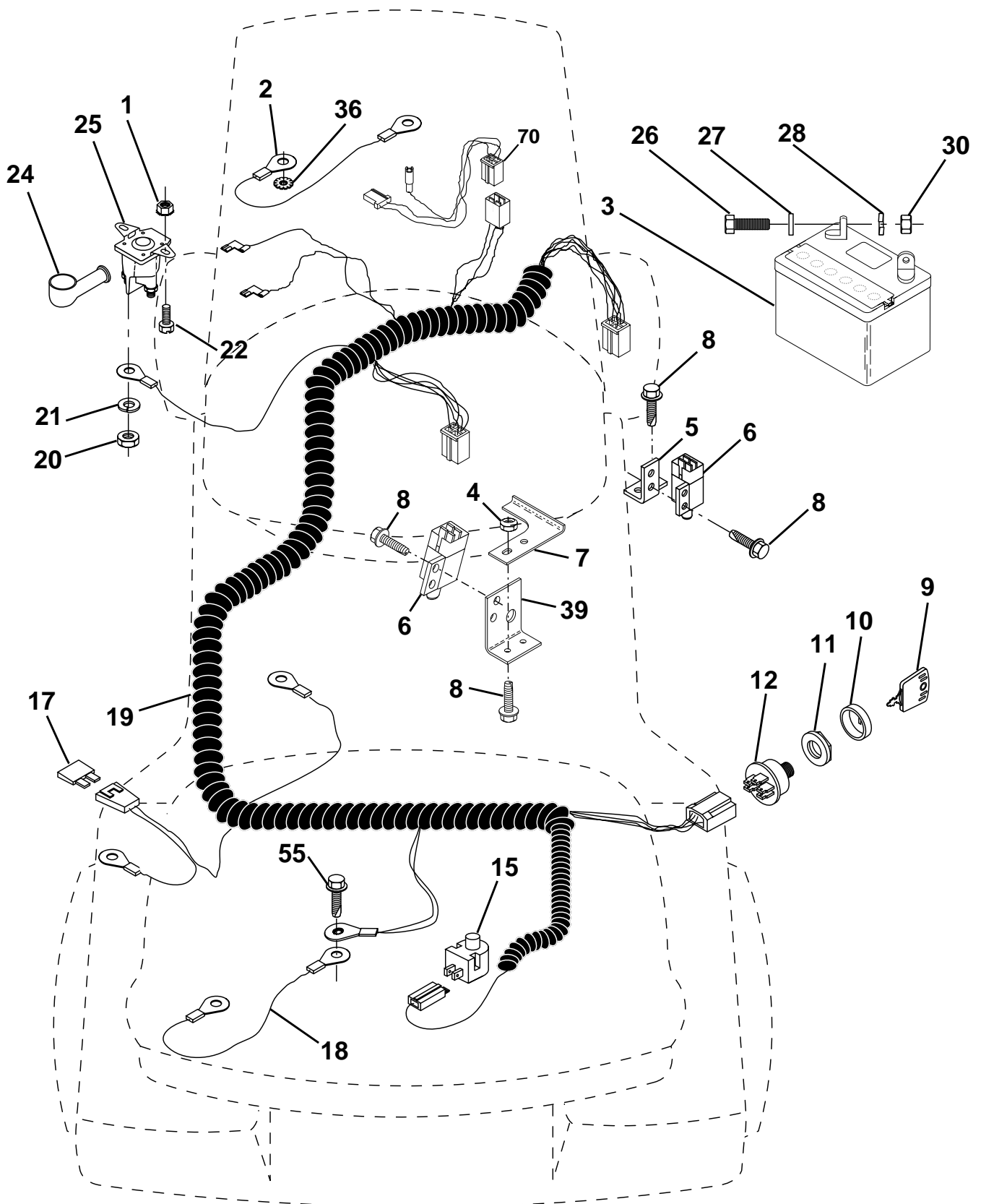
954 14 00-01A

SCHEMATIC



TRACTOR -- MODEL NUMBER LR121 (954140001A)

ELECTRICAL



TRACTOR - - MODEL NUMBER LR121 (954140001A)

ELECTRICAL

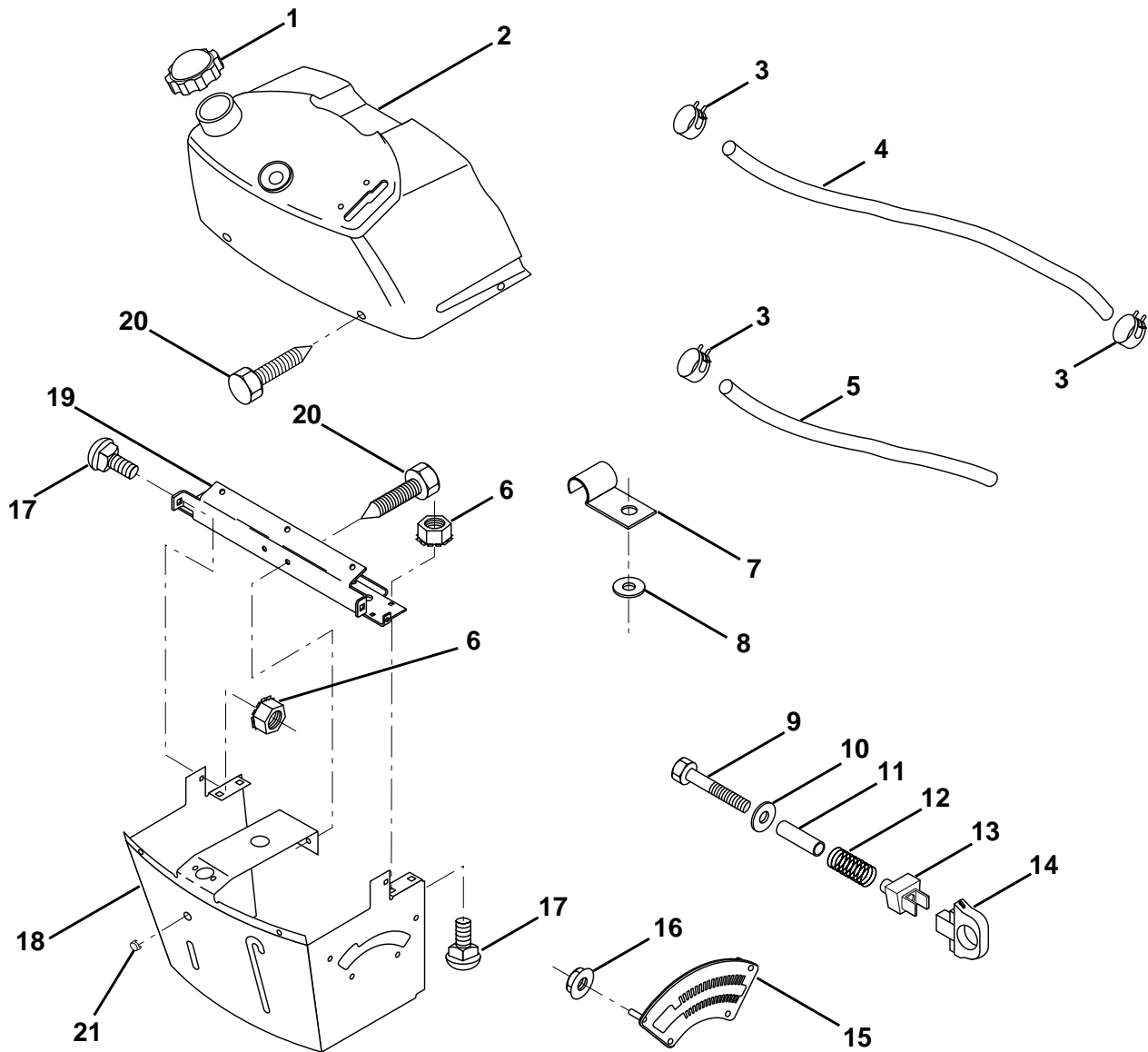
KEY NO.	PART NO.	DESCRIPTION
1	873 64 04-00	Nut, Hex Keps 1/4-20
2	532 10 84-23	Assembly, Cable
3	532 14 61-38	Battery
4	532 06 91-80	Nut, Lock #10-24 UNC
5	532 10 82-36	Bracket, Switch
6	532 10 95-53	Switch, Interlock (4-terminal)
7	532 14 63-74	Keeper Actuator
8	817 02 10-08	Screw, Hex Hd. Tap #10-24 x 1/2
9	532 14 04-02	Key, Steel Delta
10	532 14 12-26	Cover, Key Ignition
11	532 14 04-00	Nut, Ignition
12	532 14 49-21	Switch, Ignition
15	532 12 13-05	Switch, Plunger
17	532 10 88-24	Fuse
18	532 12 83-53	Assembly, Cable
19	532 14 60-63	Harness, Ignition
20	873 35 04-00	Nut, Hex Jam 1/4-20
21	810 09 04-00	Washer, Lock 1/4
22	871 11 04-08	Bolt, Fin. Hex 1/4-20 UNC x 1/2 Gr. 5
24	532 13 15-63	Cover, Terminal
25	532 14 56-73	Solenoid
26	874 76 04-12	Bolt, Hex Hd. 1/4-20 UNC x 3/4
27	819 09 10-16	Washer 9/32 x 5/8 x 16
28	810 04 04-00	Washer, Lock 1/4
30	873 22 04-00	Nut, Fin. Hex 1/4-20 UNC
36	811 15 04-00	Washer, Lock Inter. Tooth 1/4
39	532 14 17-35	Bracket, Switch Clutch
55	817 49 05-08	Screw Thdrol 5/16-18 x 1/2
70	532 14 04-13	Harness, Engine

NOTE: All component dimensions given in U.S. inches
1 inch = 25.4 mm

HARDWARE SHOWN LARGER FOR EASIER IDENTIFICATION

TRACTOR -- MODEL NUMBER LR121 (954140001A)

DASH



KEY NO.	PART NO.	DESCRIPTION
1	532 14 21-87	Cap, Fuel
2	532 13 83-94	Assembly, Dash & Fuel Tank
3	532 12 34-87	Clamp, Hose
4	532 00 85-44	Line, Fuel
5	532 00 85-48	Line, Fuel
6	873 64 04-00	Nut, Hex, Keps 1/4-20
7	532 12 49-96	Clip, Fuel Line
8	819 09 12-16	Washer 9/32 x 3/4 x 16 Ga.
9	874 76 04-28	Bolt, Hex, Fin 1/4-20 x 1-3/4
10	819 09 14-13	Washer 11/32 x 11/16 x 16 Ga.
11	532 12 12-49	Spacer, Split
12	532 00 37-20	Spring

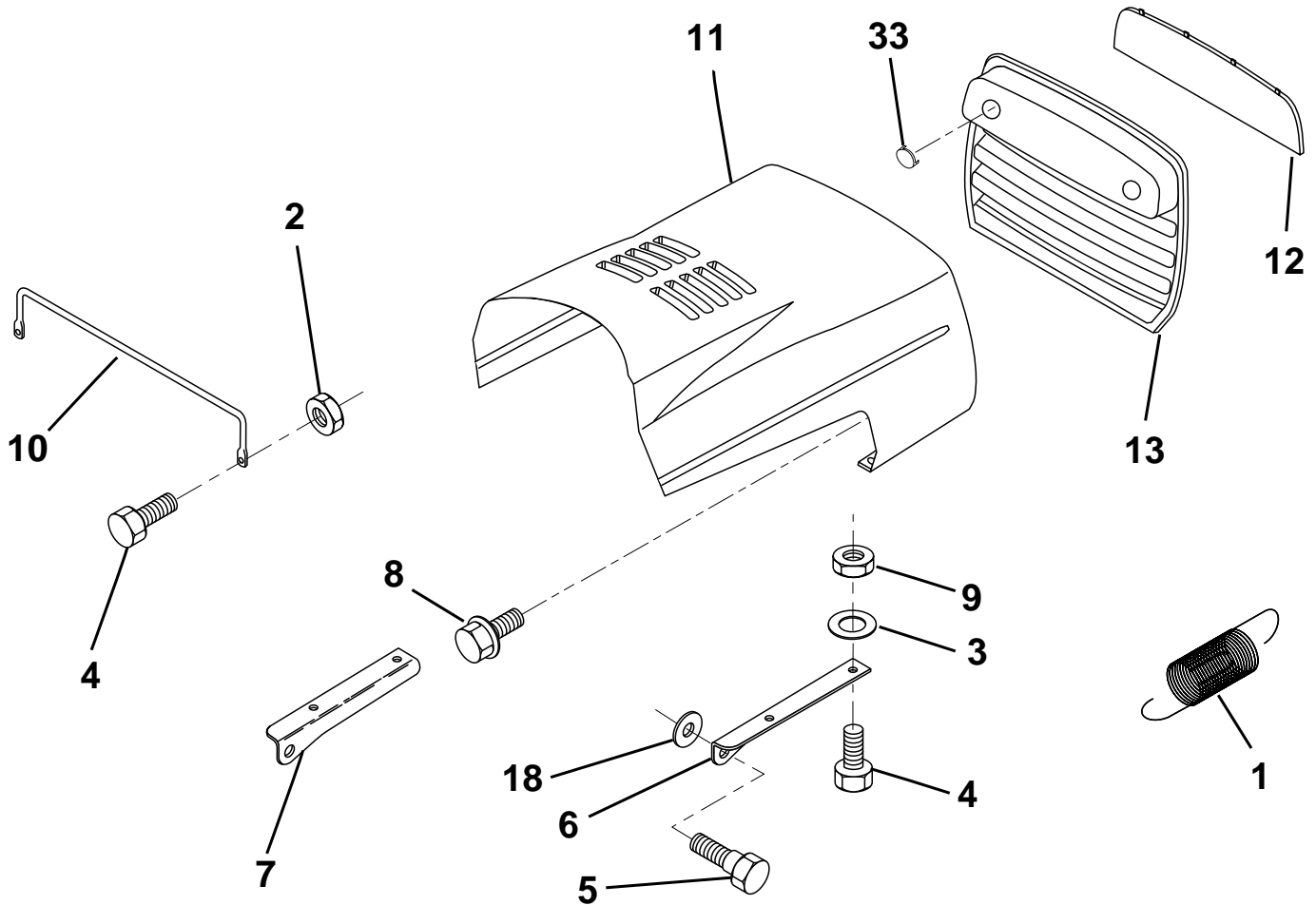
KEY NO.	PART NO.	DESCRIPTION
13	532 12 64-50	Clip, Height Adjustment
14	532 12 61-15	Knob, Height Stop
15	532 12 20-23	Adjustment, Quadrant Height
16	532 12 43-46	Nut, Self-Threading 3/16-18
17	872 11 04-04	Bolt, Carriage 1/4-20 x 1/2 Gr. 5
18	532 13 07-45	Support Assembly, Dash
19	532 13 47-44	Brace, Cross
20	817 06 04-08	Screw, Self-Tapping 1/4-20 x 1/2
21	532 13 40-14	Plug Dome Black

NOTE: All component dimensions given in U.S. inches
 1 inch = 25.4 mm

HARDWARE SHOWN LARGER FOR EASIER IDENTIFICATION

TRACTOR - - MODEL NUMBER LR121 (954140001A)

HOOD



KEY NO.	PART NO.	DESCRIPTION
1	532 12 46-57	Extension, Spring
2	873 64 04-00	Nut, Hex, Keps 1/4-20
3	819 09 14-16	Washer, 9/32 x 7/8 x 16 Ga.
4	874 78 04-12	Bolt, Hex Fin 1/4-20 x 3/4 Gr. 5
5	532 13 98-88	Bolt, Shoulder
6	532 12 25-49	Bracket, Hood R. H.
7	532 12 25-48	Bracket, Hood L.H.
8	817 52 13-12	Screw Sltd. Hex Hd W/PL Washer
9	873 80 04-00	Nut Lock W/Insert 1/4-20 UNC

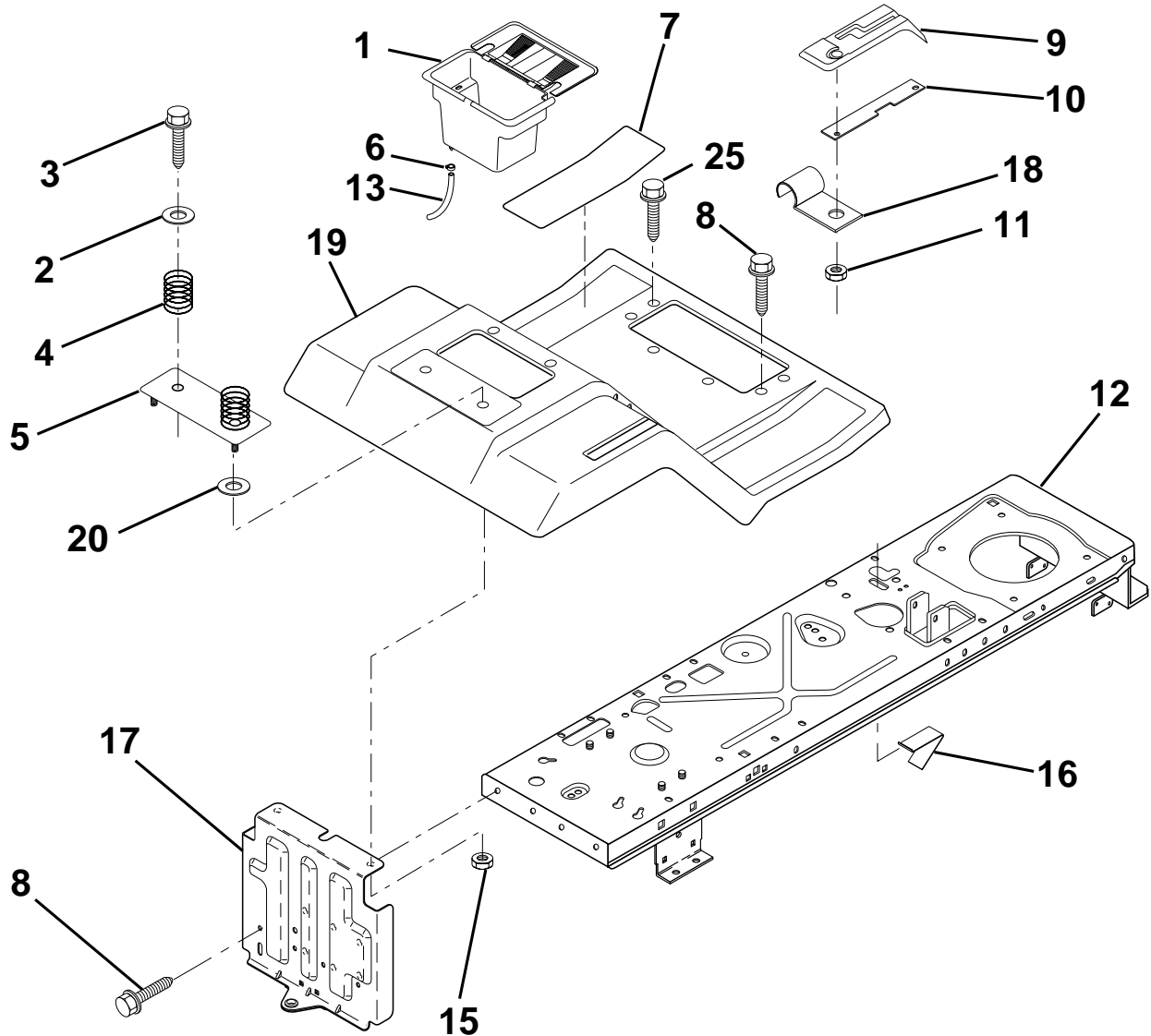
KEY NO.	PART NO.	DESCRIPTION
10	532 12 36-93	Brace, Hood
11	532 14 04-63	Hood
12	532 12 20-35	Lens Clear Bar
13	532 14 23-25	Grill
18	819 11 11-16	Washer 11/32 x 11/16 x 16 Ga.
33	532 13 13-19	Plug socket light

NOTE: All component dimensions given in U.S. inches
 1 inch = 25.4 mm

HARDWARE SHOWN LARGER FOR EASIER IDENTIFICATION

TRACTOR - - MODEL NUMBER LR121 (954140001A)

FENDER / CHASSIS



KEY NO.	PART NO.	DESCRIPTION
1	532 15 64-17	Case, Battery
2	819 13 20-12	Washer 13/32 x 1-1/4 x 12 Ga.
3	817 49 06-12	Screw, Hex Wsh. Thrdrol. 3/8-16 x 3/4
4	532 12 41-81	Spring, Compression, Seat
5	532 12 51-42	Plate, Asm. Battery
6	532 10 95-96	Clamp, Hose
7	532 12 41-44	Pad, Footrest
8	817 49 05-12	Screw, Hex Wsh Thdrol. 5/16-18 x 3/4
9	532 12 69-96	Console, Shift Control
10	532 13 97-83	Bar, Shift Lock
11	532 12 43-46	Nut, Self-Thrd., Wsh. Head 3/16

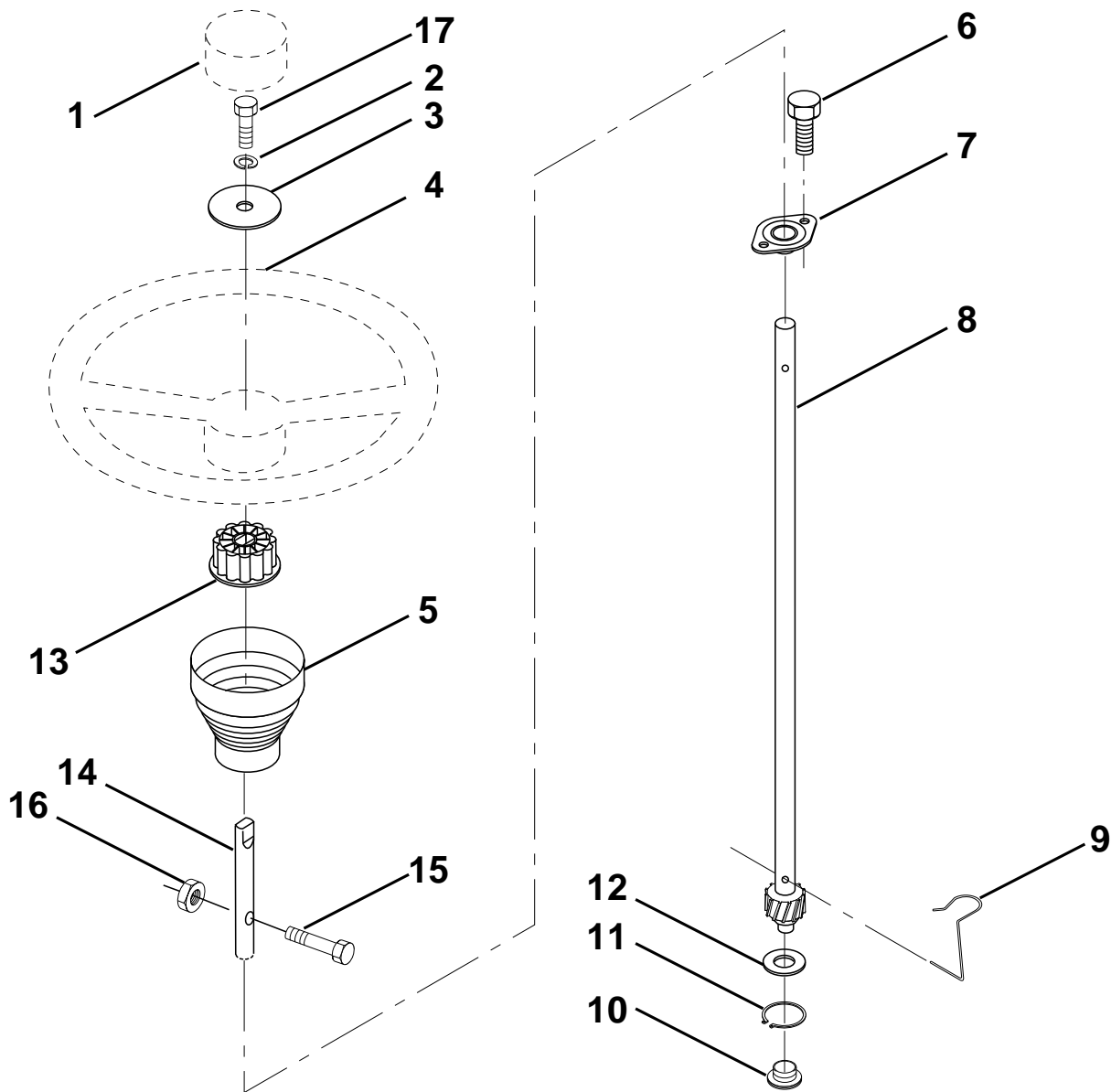
KEY NO.	PART NO.	DESCRIPTION
12	532 14 51-90	Assembly, Frame
13	532 10 92-38	Tube, Battery Drain
15	873 64 04-00	Nut, Keps Hex 1/4-20 UNC
16	532 14 17-36	Switch Actuator
17	532 14 07-82	Drawbar
18	532 12 64-70	Clip, Insulated
19	532 14 13-93	Fender/Footrest
20	819 09 14-13	Washer 9/32 x 7/8 x 13 Ga.
25	817 19 05-16	Screw Hex Wsh Thdroll 5/16-18 x 1

NOTE: All component dimensions given in U.S. inches
 1 inch = 25.4 mm

HARDWARE SHOWN LARGER FOR EASIER IDENTIFICATION

TRACTOR - - MODEL NUMBER LR121 (954140001A)

STEERING WHEEL



KEY NO.	PART NO.	DESCRIPTION
1	532 12 44-16	Insert, Wheel, Steering
2	810 04 06-00	Washer, Lock hvy HLCL SPR 3/8
3	819 13 38-08	Washer 12/32 x 2-3/8 x 8 Ga.
4	532 12 44-15	Wheel, Steering
5	532 12 73-96	Sleeve, Steering
6	532 15 29-27	Screw, TT #10-32.5.3/8 flange
7	532 15 51-04	Bushing, Steering
8	532 14 73-91	Shaft, Steering
9	532 12 42-10	Clip, Steering
10	532 12 34-38	Bushing, Lower, Steering

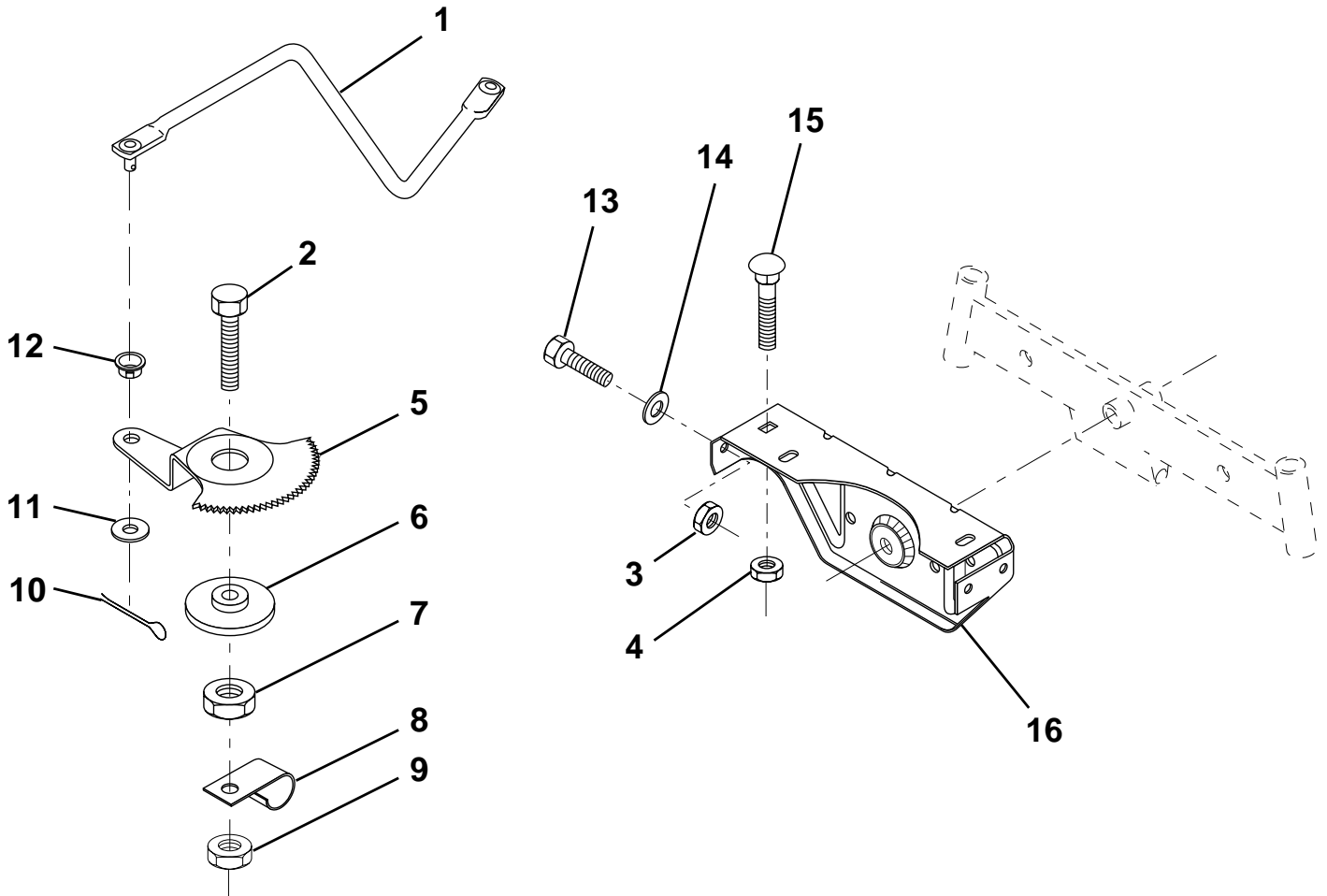
KEY NO.	PART NO.	DESCRIPTION
11	812 00 00-45	Ring, Retaining
12	819 21 16-16	Washer 21/32 x 1 x 16 Ga.
13	532 10 07-11	Adaptor, Wheel, Steering
14	532 15 37-20	Extension shaft steering
15	874 78 05-20	Bolt Fin Hex 5/16-18 UNC x 1-1/4
16	873 80 05-00	Nut Lock Hex W/Ins. 5/16-18 UNC
17	874 78 06-16	Bolt fin Hex 3/8-16 UNC x 1. Gr. 5

NOTE: All component dimensions given in U.S. inches
 1 inch = 25.4 mm

HARDWARE SHOWN LARGER FOR EASIER IDENTIFICATION

TRACTOR - - MODEL NUMBER LR121 (954140001A)

SECTOR GEAR / AXLE SUPPORT



KEY NO.	PART NO.	DESCRIPTION
1	532 13 25-66	Link, Drag
2	874 78 08-28	Bolt, Fin Hex 1/2-13 x 1-3/4
3	873 68 05-00	Nut, Crownlock 5/16-18
4	873 68 06-00	Nut, Crownlock 3/8-16 UNC
5	532 12 19-26	Gear, Sector
6	532 12 19-27	Bushing
7	873 03 08-00	Nut, Heavy Hex Top Lock 1/2-13 UNC
8	532 12 64-72	Clip, Insulated

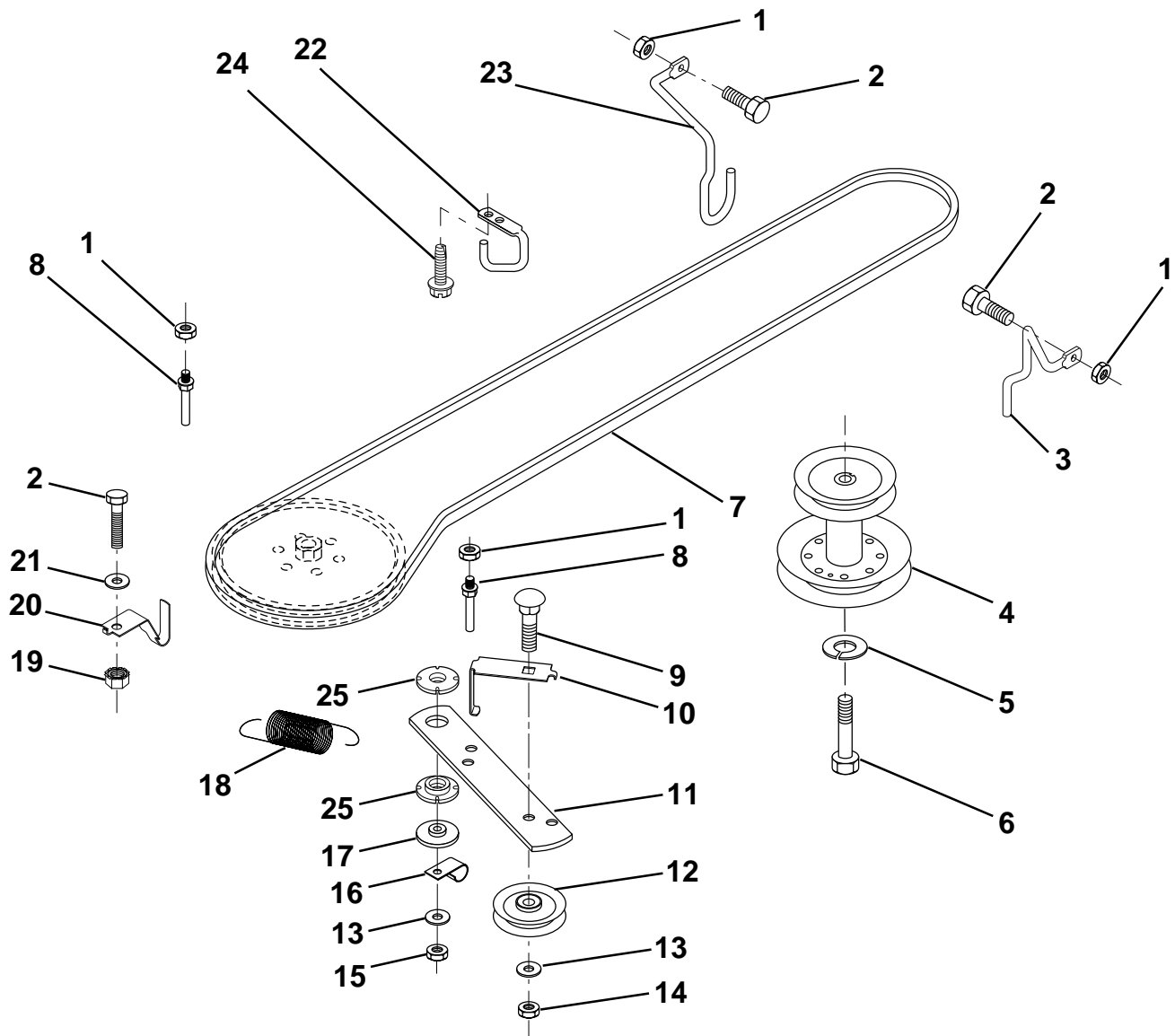
KEY NO.	PART NO.	DESCRIPTION
9	873 68 08-00	Nut, Crownlock 3/8-16
10	876 02 04-12	Pin, Cotter 1/8 x 3/4
11	819 13 13-16	Washer, 13/32 x 13/16 x 16 Ga.
12	532 12 68-47	Bushing
13	874 76 05-12	Bolt, Hex Hd. 5/16-18 UNC x 3/4
14	819 11 14-16	Washer 11/32 x 7/8 x 16 Ga.
15	872 11 06-06	Bolt, Carriage 3/8-16 UNC x 3/4
16	532 13 70-96	Support, Front Axle

NOTE: All component dimensions given in U.S. inches
 1 inch = 25.4 mm

HARDWARE SHOWN LARGER FOR EASIER IDENTIFICATION

TRACTOR - - MODEL NUMBER LR121 (954140001A)

GROUND DRIVE



KEY NO.	PART NO.	DESCRIPTION
1	873 68 05-00	Nut, Crownlock 5/16-18
2	874 76 05-12	Bolt, Hex Hd 5/16-18 UNC x 3/4
3	532 14 13-42	Keeper, Mower Drive, R. H.
4	532 13 80-29	Pulley, Engine
5	810 04 07-00	Washer, Lock 7/16
6	871 17 07-44	Bolt Hex 7/16-20 Gr. 5
7	532 12 65-20	Traction, V-Belt Drive
8	532 12 34-05	Keeper, T/A Ground Drive Belt
9	872 14 06-12	Bolt, Carr. 3/8-16 UNC x 1-1/2
10	532 12 33-96	Keeper, Belt Ground Drive Idler
11	532 15 09-26	Arm, Ground Drive Clutch
12	532 12 36-74	Idler, Flat
13	819 13 13-16	Washer 13/32 x 13/16 x 16 Ga.
14	873 93 06-00	Nut, Centerlock 3/8-16 UNC

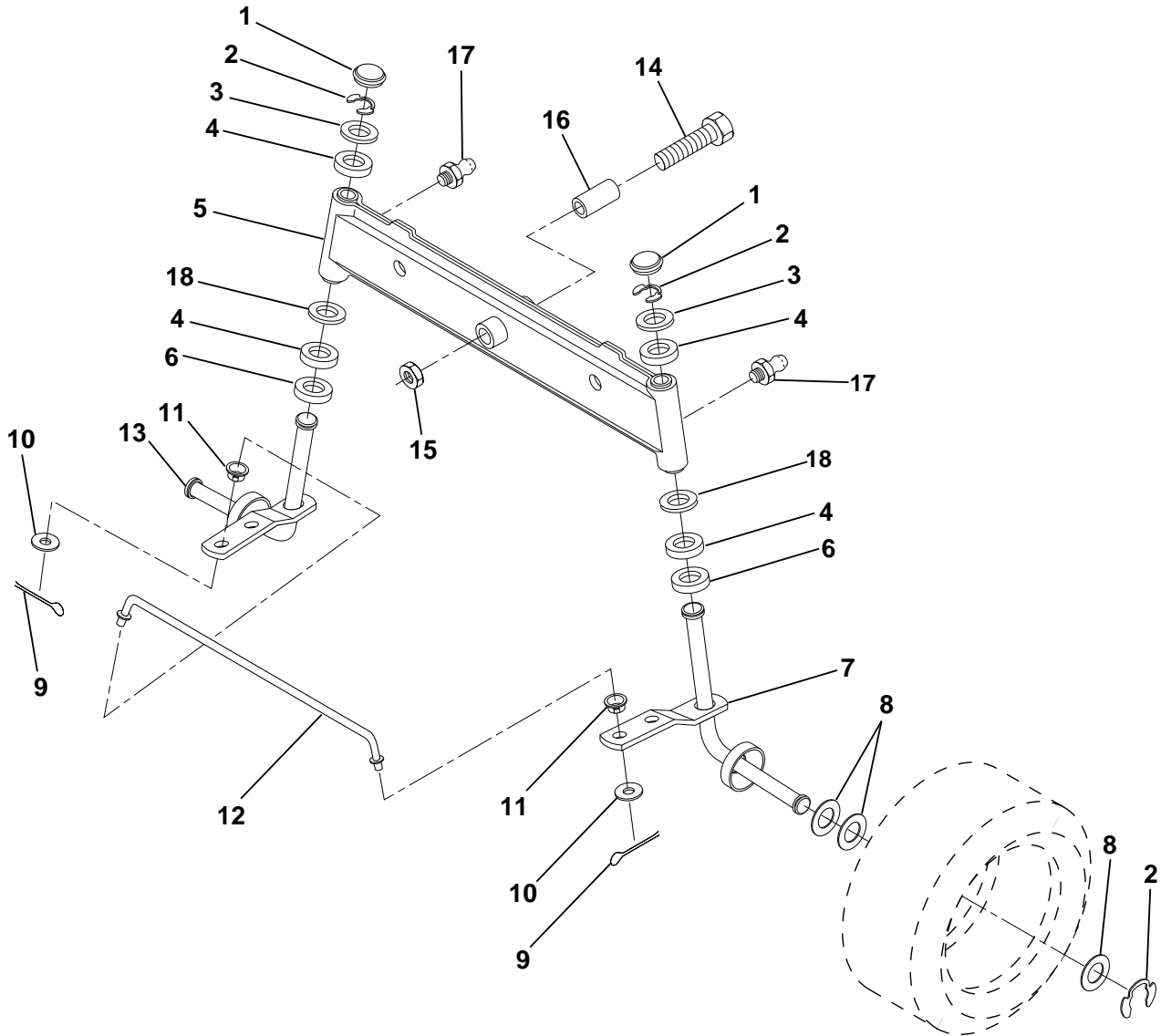
KEY NO.	PART NO.	DESCRIPTION
15	873 68 06-00	Nut, Crownlock 3/8-16 UNC
16	532 12 64-71	Clip, Insulated
17	532 15 09-32	Spacer, Retainer
18	532 13 14-59	Spring Extension
19	873 51 05-00	Nut, Keps 5/16-18 UNC
20	532 13 99-19	Keeper, T/A Ground Drive Belt
21	819 11 10-16	Washer 11/32 x 5/8 x 16 Ga.
22	532 12 34-04	Keeper, Frame Ground Drive Belt
23	532 14 09-16	Keeper, Mower Drive, L. H.
24	817 72 04-08	Screw, Thd. Cut 1/4-20 x 1/2
25	532 15 09-35	Bushing Nylon Collered

NOTE: All component dimensions given in U.S. inches
 1 inch = 25.4 mm

HARDWARE SHOWN LARGER FOR EASIER IDENTIFICATION

TRACTOR - - MODEL NUMBER LR121 (954140001A)

FRONT AXLE



KEY NO.	PART NO.	DESCRIPTION
1	532 12 12-32	Cap, Spindle
2	812 00 00-29	Ring, Clip
3	532 12 17-48	Washer 25/32 x 1-5/8 x 16 Ga.
4	532 12 49-37	Nyliner
5	532 14 20-33	Axle, Front
6	532 12 49-31	Bearing, Thrust
7	532 13 70-62	Spindle, R.H. Asm.
8	532 12 17-49	Washer 25/32 x 1-1/4 x 16 Ga.
9	876 02 04-12	Pin, Cotter 1/8 x 3/4
10	819 13 13-16	Washer 13/32 x 13/16 x 16 Ga.

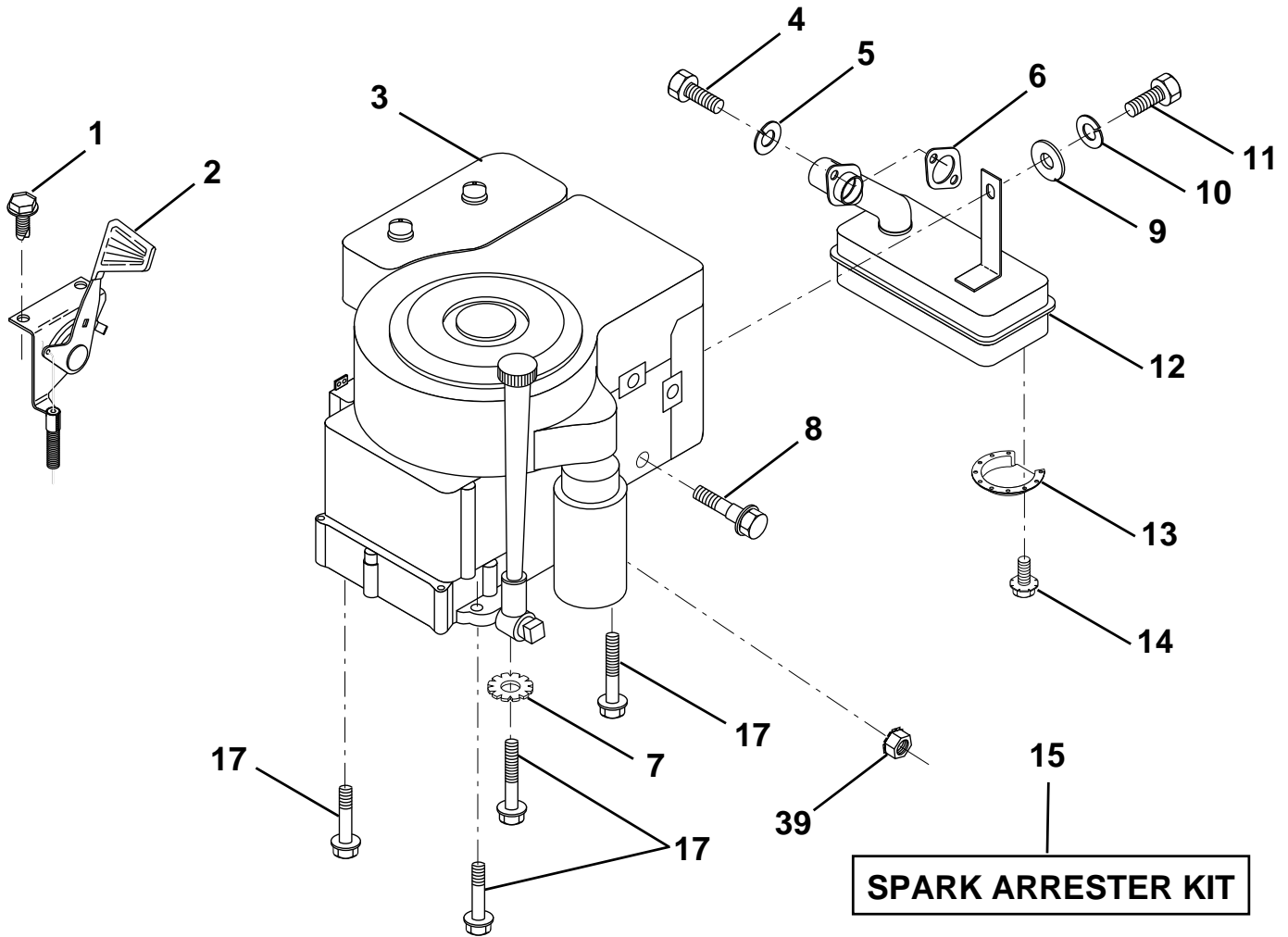
KEY NO.	PART NO.	DESCRIPTION
11	532 12 68-47	Bushing
12	532 13 04-65	Rod, Tie
13	532 13 70-61	Spindle, L.H. Asm.
14	874 01 10-56	Bolt Hex 5/1-11 x 3-1/2
15	873 90 10-00	Nut, Lock Flange 5/8-11
16	532 11 04-38	Spacer, Bearing Axle
17	532 12 48-36	Fitting, Grease
18	819 27 20-16	Washer 27/32 x 1-1/4 x 16 Ga.

NOTE: All component dimensions given in U.S. inches
 1 inch = 25.4 mm

HARDWARE SHOWN LARGER FOR EASIER IDENTIFICATION

TRACTOR -- MODEL NUMBER LR121 (954140001A)

ENGINE



KEY NO.	PART NO.	DESCRIPTION
1	817 06 04-08	Screw, Hex Thd. Cut 1/4-20 x 1/2
2	532 13 27-52	Control, Throttle
3	-----	Engine, Briggs and Stratton Model No. 285707
4	871 07 05-12	Screw, Hex, Cap 5/16-18 x 3/4
5	810 04 05-00	Washer, Lock Hvy Hcl Spring 5/16
6	532 27 22-93	Gasket, Exhaust
7	811 05 06-00	Washer Lock Ext. Tooth 3/8
8	532 12 10-94	Bolt, Shoulder 5/16
9	819 10 12-16	Washer 5/16 x 3/4 x 16
10	810 04 04-00	Washer, Lock Hvy Hcl Spring 1/4

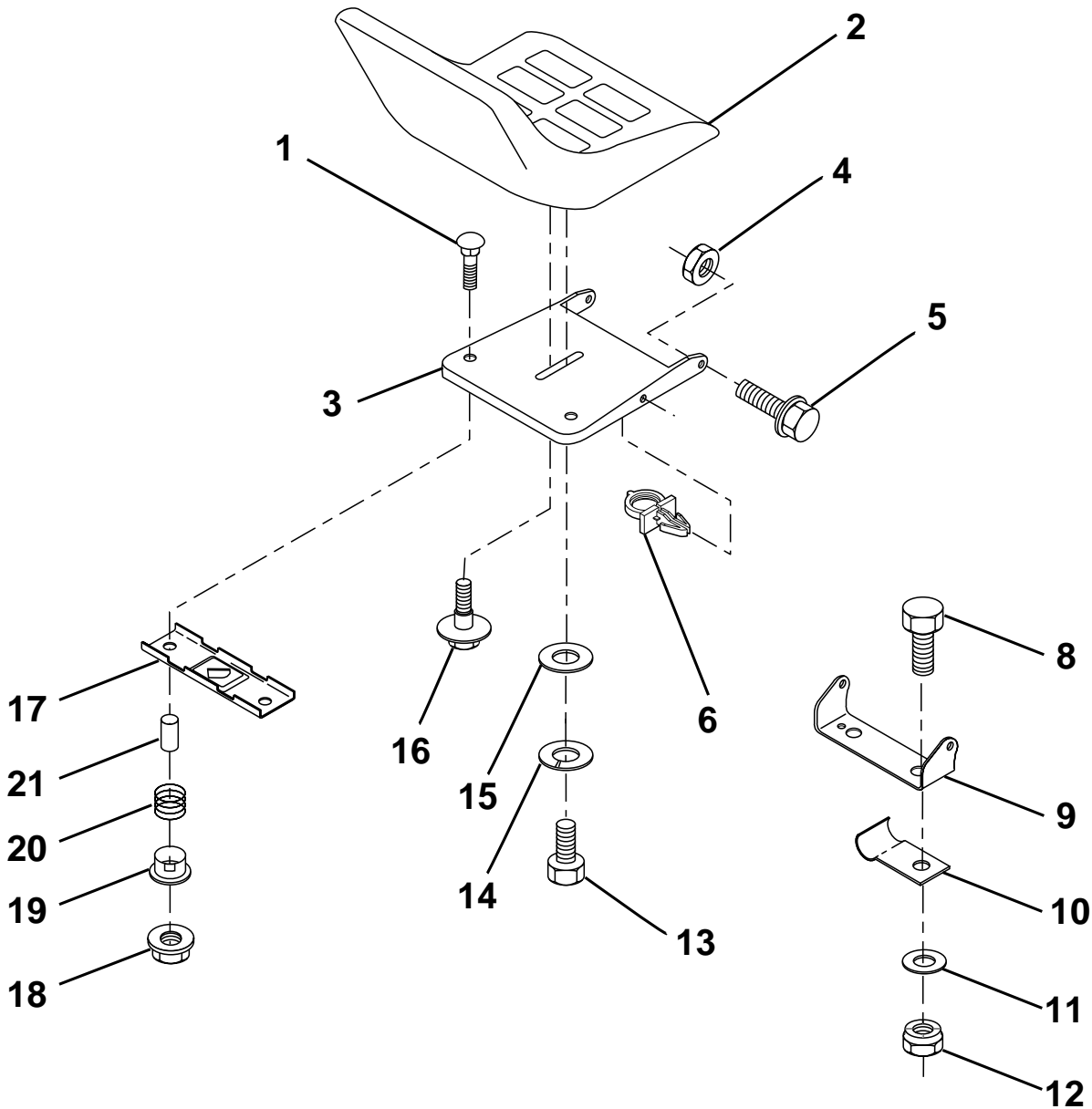
KEY NO.	PART NO.	DESCRIPTION
11	-----	Bolt, Hex Fin. (Order From Eng. Mfg.)
12	532 13 74-37	Muffler
13	532 10 13-26	Deflector, Muffler
14	817 03 08-08	Screw, Spiderlock, Hex Hd 8 x 1/2
15	532 13 71-80	Arrester, Spark (Optional equipment)
17	817 49 06-24	Screw, Hex Washer Head, Thdrol. 3/8-16 x 1-1/2
39	532 12 88-61	Nut, Flange 1/4-20

NOTE: All component dimensions given in U.S. inches
 1 inch = 25.4 mm

HARDWARE SHOWN LARGER FOR EASIER IDENTIFICATION

TRACTOR - - MODEL NUMBER LR121 (954140001A)

SEAT



KEY NO.	PART NO.	DESCRIPTION
1	872 05 04-11	Bolt, Carriage 1/4-20 x 1-3/8
2	532 13 08-75	Seat
3	532 15 59-25	Pan, Sea
4	873 80 05-00	Locknut, Hex w/Ins 5/16-18
5	532 15 32-36	Bolt, Shoulder 5/16-18 UNC
6	532 14 50-06	Clip, Push-in
8	874 76 06-16	Bolt, Fin Hex 3/8-16 UNC x 1
9	532 14 05-51	Bracket, Pivot Seat
10	532 12 64-71	Clip, Insulated
11	819 13 32-10	Washer 12/32 x 2 x 10 Ga.
12	873 80 06-00	Nut, Lock Hex w/Wsh 3/8-16

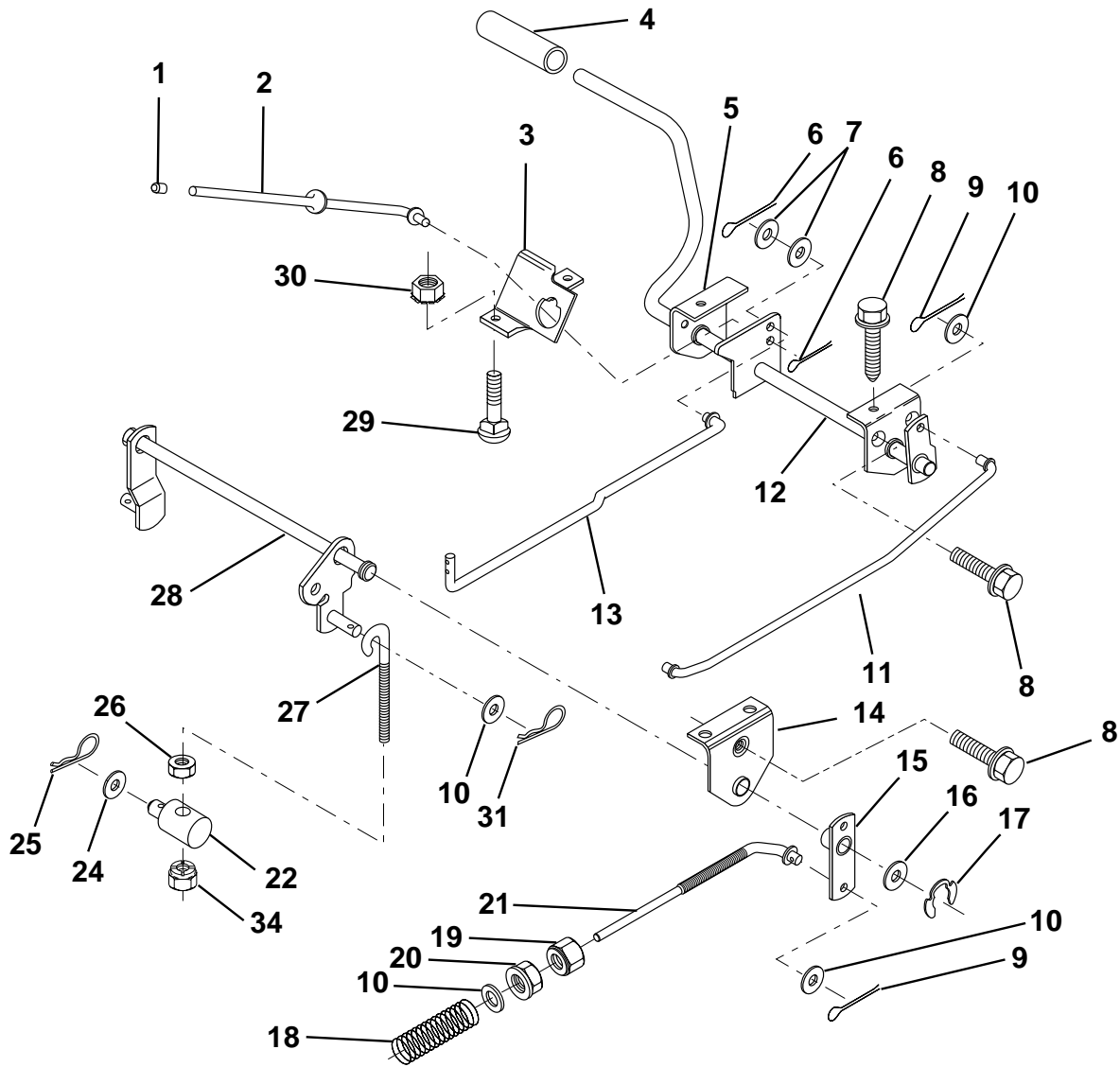
KEY NO.	PART NO.	DESCRIPTION
13	874 78 08-14	Bolt Hex 1/2-13 x 7/8
14	810 04 08-00	Washer Lock Hvy. Hlicl Spring 1/2
15	819 17 19-12	Washer, 17/32 x 1-3/16 x 12 Ga.
16	532 12 70-18	Bolt, Shoulder
17	532 12 12-46	Bracket, Switch, Mounting
18	532 12 39-76	Nut, Hex Large Flange Lock
19	532 12 12-48	Bushing, Snap
20	532 12 12-50	Spring, Compression
21	532 13 43-00	Spacer, Split 28 Id. x .88 Lg.

NOTE: All component dimensions given in U.S. inches
 1 inch = 25.4 mm

HARDWARE SHOWN LARGER FOR EASIER IDENTIFICATION

TRACTOR - - MODEL NUMBER LR121 (954140001A)

BRAKE / REAR MOWER LIFT ASSEMBLY



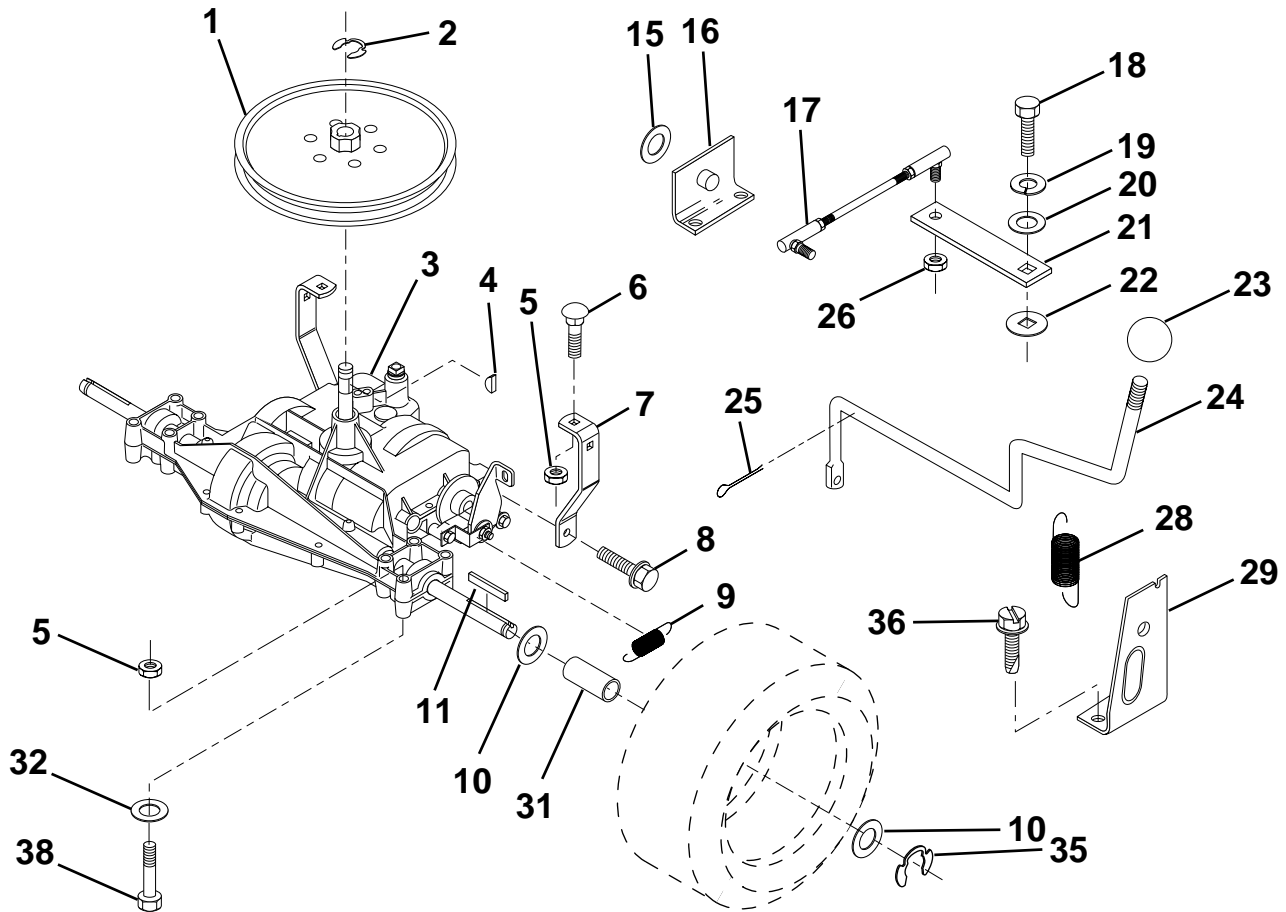
KEY NO.	PART NO.	DESCRIPTION
1	532 07 16-73	Cap, Plunger
2	532 12 34-36	Rod, Parking Brake
3	532 12 34-37	Bracket, Parking Brake
4	532 00 81-56	Cover, Pedal
5	532 12 25-04	Bracket, Clutch/Brake Pedal, L.H.
6	876 02 03-12	Pin, Cotter 3/32 x 3/4
7	819 13 10-16	Washer 13/32 x 5/8 x 16 Ga.
8	817 49 05-08	Screw, Hex, Thd. Roll. 5/16-18 x 1/2
9	876 02 04-12	Pin, Cotter 1/8 x 3/4
10	819 13 13-16	Washer 13/32 x 13/16 x 16 Ga.
11	532 12 35-43	Rod, Brake Front
12	532 13 99-33	Assembly, Clutch/Brake Pedal
13	532 12 33-94	Rod, Clutch
14	532 12 19-78	Bracket, Lift, Shaft
15	532 13 33-32	Assembly, Brake, Pivot, Arm
16	819 25 18-16	Washer 25/32 x 1-1/8 x 16 Ga.

KEY NO.	PART NO.	DESCRIPTION
17	812 00 00-34	Ring, Klip
18	532 15 13-32	Spring, Brake Rod
19	873 35 06-00	Nut, Hex, Jam 3/8-16 UNC
20	873 80 06-00	Nut, Lock, hex. w/Ins. 3/8-16 INC
21	532 13 14-60	Rod, Rear Brake
22	532 14 45-85	Trunnion, Lift
24	819 13 20-12	Washer 13/32 x 1-1/4 x 12 Ga.
25	532 12 49-61	Spring, Retainer
26	873 93 06-00	Nut, Centerlock 3/8-16 UNC
27	532 12 73-69	Link, Threaded
28	532 14 07-76	Assembly, Rear Mower Lift
29	872 11 05-06	Bolt, Carriage 5/16-18 UNC x 3/4
30	873 51 05-00	Nut, Keps 5/16-16 UNC
31	532 12 46-60	Retainer Spring
34	873 68 06-00	Nut, Crownlock 3/8-16 UNC

NOTE: All component dimensions given in U.S. inches
 1 inch = 25.4 mm

TRACTOR - - MODEL NUMBER LR121 (954140001A)

TRANSAXLE



KEY NO.	PART NO.	DESCRIPTION
1	532 12 33-85	Pulley
2	812 00 00-28	Ring, Retainer
3	-----	Transaxle (See Breakdown),Peerless Model No. 930-008A
4	532 12 50-96	Key, Woodruff #9
5	873 68 05-00	Nut, Crownlock 5/16-18
6	872 14 05-06	Bolt, Carriage 5/16-18 UNC x 3/4
7	532 12 33-78	Strap, Torque
8	817 49 05-12	Screw 5/16-18 x 3/4
9	532 14 66-82	Spring, Brake
10	532 12 17-49	Washer 25/32 x 1-1/4 x 16 Ga.
11	532 12 35-83	Key, Square
15	819 17 16-16	Washer 17/32 x 1 x 16 Ga.
16	532 12 46-00	Support Handle Shift LH
17	532 12 62-93	Link, Shift
18	874 55 04-12	Bolt, Fin Hex 1/4-28 UNF x 3/4 Gr. 8
19	810 04 04-00	Washer, Lock 1/4

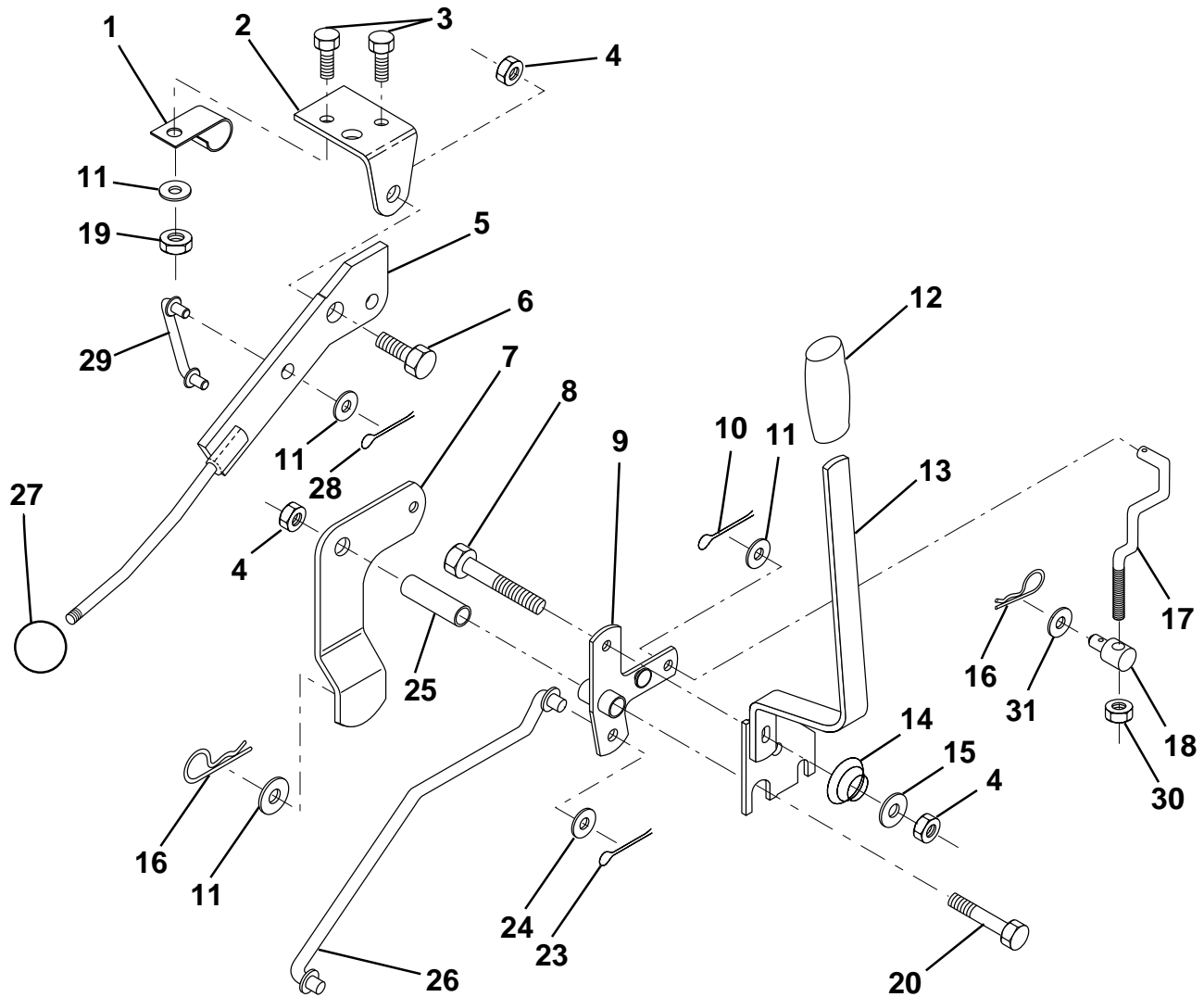
KEY NO.	PART NO.	DESCRIPTION
20	819 09 12-10	Washer 9/32 x 3/4 x 10 Ga.
21	532 12 62-92	Arm, Shift
22	532 10 57-01	Washer, Shift Plate
23	532 10 69-33	Knob, Rd 1/2-13
24	532 12 82-15	Rod Shift
25	876 02 04-16	Pin, Cotter 1/8 x 1
26	873 81 05-00	Locknut 5/16-24 UNF
28	532 12 80-85	Extension, Spring
29	532 12 80-84	Support Handle Shift RH
31	532 13 70-57	Spacer Axle
32	819 11 11-16	Washer 11/32 x 11/16 x 16
35	812 00 00-01	E-Ring
36	817 72 04-08	Screw, Thd Cut 1/4-20 x 1/2
38	874 49 05-44	Bolt, Hex Hd 5/16-18 x 2-3/4

NOTE: All component dimensions given in U.S. inches
 1 inch = 25.4 mm

HARDWARE SHOWN LARGER FOR EASIER IDENTIFICATION

TRACTOR - - MODEL NUMBER LR121 (954140001A)

MOWER LIFT LEVER



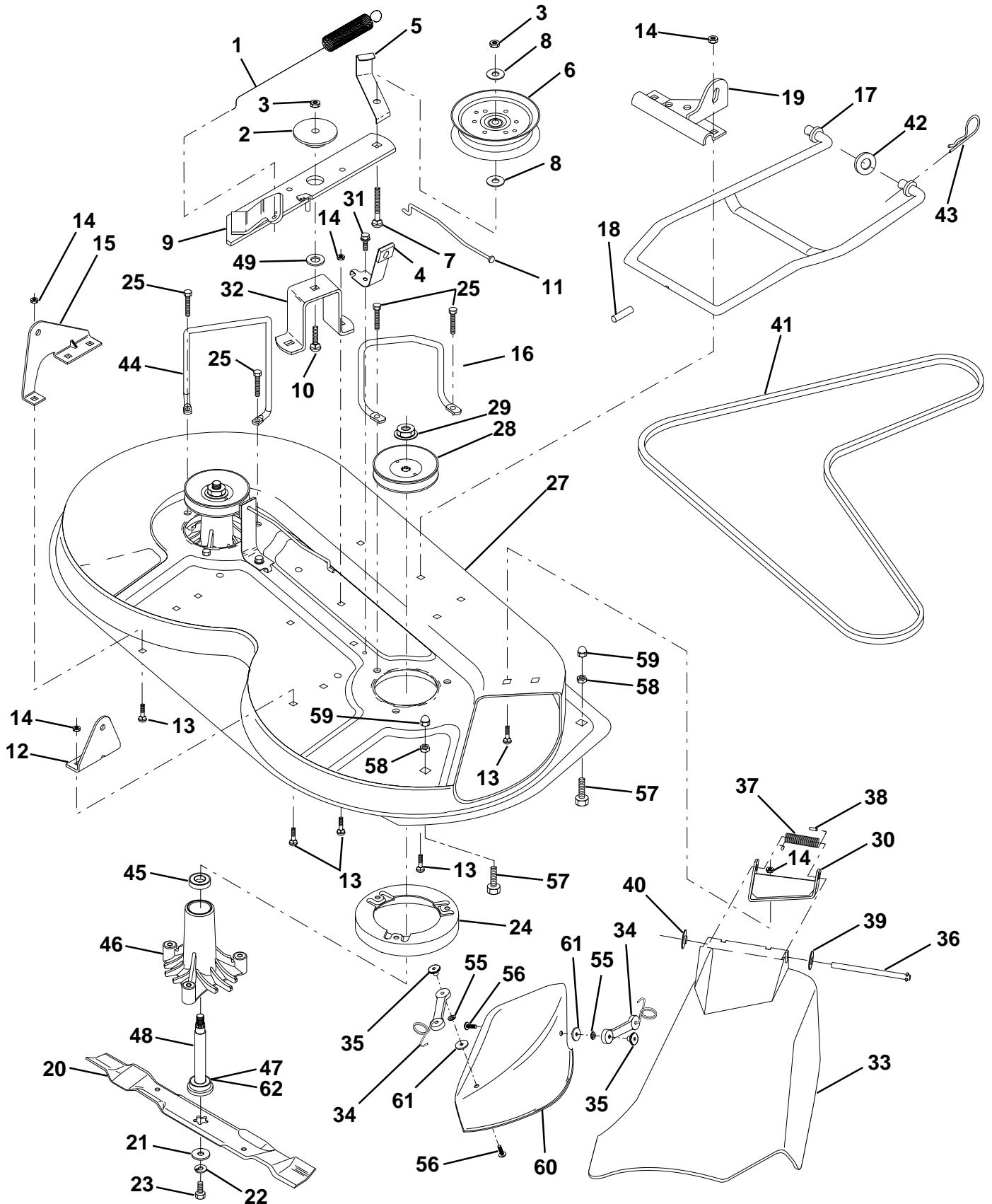
KEY NO.	PART NO.	DESCRIPTION	KEY NO.	PART NO.	DESCRIPTION
1	532 12 64-70	Clip, Insulated	16	532 12 49-61	Retainer, Spring
2	532 12 20-18	Bracket, Mower Clutch	17	532 12 73-59	Link, Front Lift
3	871 11 04-08	Bolt, Fin. Hex 1/4-20 UNC x 1/2 Gr. 5	18	532 14 20-28	Trunnion, Threaded 3/8-16
4	873 68 06-00	Nut, Crownlock 3/8-16 UNC	19	873 68 04-00	Nut, Crownlock 1/4-20
5	532 14 51-87	Assembly, Clutch Lever	20	874 76 06-44	Bolt, Fin. Hex 3/8-16 UNC x 2-3/4
6	532 10 64-51	Bolt, Shoulder	23	876 02 04-16	Pin, Cotter 1/8 x 1
7	532 13 53-71	Assembly, Mower Clutch Arm	24	819 17 16-12	Washer 17/32 x 1 x 12 Ga.
8	874 76 06-36	Bolt, Hex 3/8-16 UNC x 2-1/4	25	532 12 19-33	Tube, Spacer
9	532 12 19-30	Assembly, Bellcrank Lift	26	532 14 14-70	Rod, Mower Lift
10	876 02 04-12	Pin, Cotter 1/8 x 3/4	27	532 10 69-32	Knob
11	819 13 13-16	Washer 13/32 x 13/16 x 16 Ga.	28	876 02 03-12	Pin, Cotter 3/32 x 3/4
12	532 13 18-61	Grip, Handle	29	532 13 16-55	Link, Mower Clutch
13	532 13 93-52	Assembly, Lift Handle	30	873 35 06-00	Nut Hex Jam 3/8-16 x 1.30
14	532 12 34-96	Spring, Compression	31	819 13 20-12	Washer 13/32 x 1-1/4 x 12 Ga.
15	819 13 12-12	Washer 13/32 x 3/4 x 12 Ga.			

NOTE: All component dimensions given in U.S. inches
 1 inch = 25.4 mm

HARDWARE SHOWN LARGER FOR EASIER IDENTIFICATION

TRACTOR -- MODEL NUMBER LR121 (954140001A)

MOWER DECK



TRACTOR - - MODEL NUMBER LR121 (954140001A)

MOWER DECK

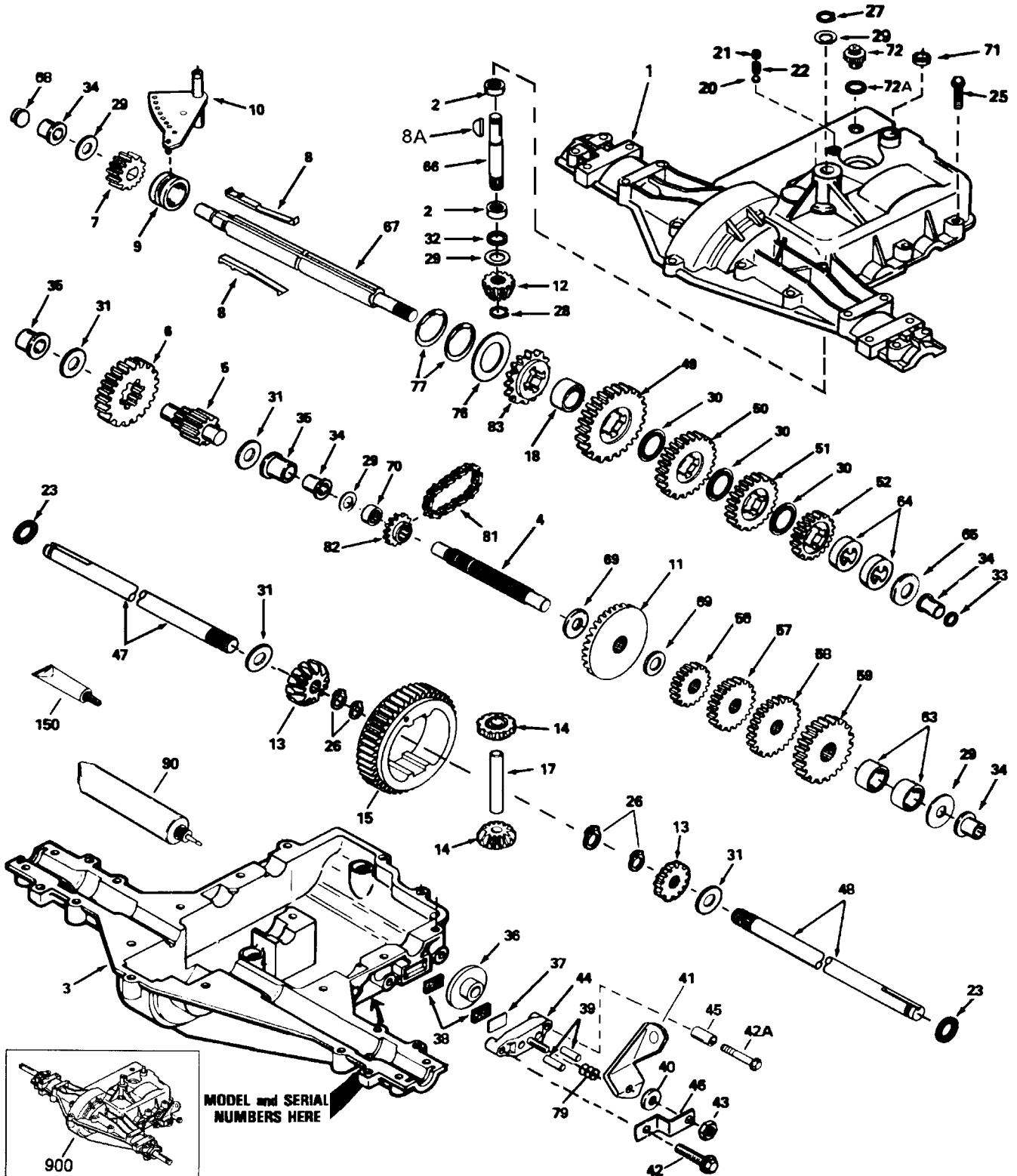
KEY NO.	PART NO.	DESCRIPTION	KEY NO.	PART NO.	DESCRIPTION
1	532 14 00-64	Spring, Mower Clutch	33	532 13 15-60	Deflector
2	532 12 20-52	Spacer, Retainer	34	532 13 07-58	Latch Asm, Bagger
3	873 68 06-00	Nut, Crownlock 3/8-16	35	532 12 50-04	Nut, Weld
4	532 13 08-40	Brake Asm.	36	532 12 19-80	Rod, Hinge
5	532 13 12-51	Guide, Belt Idler	37	532 12 37-13	Spring, Torsion Deflector
6	532 12 13-16	Pulley, Flat Idler	38	532 10 53-04	Cap, Sleeve
7	872 11 06-16	Bolt, Carr. 3/8-16 x 1-3/4 Gr. 5	39	819 11 10-16	Washer 11/32 x 5/8 x 16 Ga.
8	819 13 14-10	Washer 13/21 x 7/8 x 10 Ga.	40	532 11 04-52	Pushnut
9	532 12 77-44	Arm Asm., Idler Mower	41	532 13 12-64	V-Belt
10	872 14 06-10	Bolt, Carriage 3/8-16 x 1-1/4	42	819 17 16-16	Washer 11/32 x 5/8 16 Ga.
11	532 13 08-41	Rod, Brake	43	532 12 46-60	Retainer, Spring
12	532 12 73-56	Bracket, Lift R. H. Rear	44	532 14 06-08	Keeper, L. H.
13	872 14 05-06	Bolt, Carriage 5/16-18 x 3/4	45	532 11 04-85	Bearing
14	873 68 05-00	Nut, Crownlock 5/16-18	46	532 12 87-74	Housing Mandrel Vented
15	532 12 73-57	Bracket, Lift L. H. Rear	47	532 12 98-95	Bearing
16	532 15 32-98	Keeper, R. H.	48	532 13 76-45	Shaft, Mandrel (Includes Key # 47)
17	532 12 85-08	Link, Asm. Mower Stabilizer	49	532 13 39-43	Washer, Hardened
18	532 12 85-11	Pin, Drive	55	810 07 10-00	Washer, Lock
19	532 12 73-80	Bracket, Asm. Front	56	871 16 10-10	Screw
20	532 14 01-01	Blade Mulching	57	874 93 05-16	Bolt, Fin Hex 5/16-18 x 1
21	532 14 02-96	Washer, Hard	58	532 06 31-24	Nut, Nylon Insert
22	810 03 06-00	Washer, Lock 3/8	59	532 13 38-41	Nut, Acorn Hex 5/16 x 18
23	532 85 08-57	Bolt 3/8-24 x 1-1/4 Gr. 8	60	532 14 01-02	Cover, Mulching
24	532 14 03-29	Stripper	61	819 06 12-16	Washer
25	532 13 87-76	Screw Thdrol Hex Hd	62	532 15 33-90	Washer Felt
27	532 15 66-00	Deck Assembly	--	532 13 07-94	Mandrel Asm. (Includes Key No.'s 22-23, 26, 29 and 45-48)
28	532 15 35-31	Pulley, Mandrel	--	532 15 68-66	Deck, Mower Complete (Std. Deck - Order separately mulcher plate components key nos. 50-58)
29	532 13 72-66	Nut, Flangelock 9/16			
30	532 13 66-31	Bracket, Asm. Deflector			
31	817 49 05-08	Screw, Hex Wsh. Thdrol. 5/16-18 x 1/2			
32	532 12 20-51	Arm, Support Idler Mower			

NOTE: All component dimensions given in U.S. inches
 1 inch = 25.4 mm

HARDWARE SHOWN LARGER FOR EASIER IDENTIFICATION

TRACTOR - - MODEL NUMBER LR121 (954140001A)

PEERLESS TRANSAXLE MODEL NUMBER P930-008A



TRACTOR - - MODEL NUMBER LR121 (954140001A)

PEERLESS TRANSAXLE MODEL NUMBER P930-008A

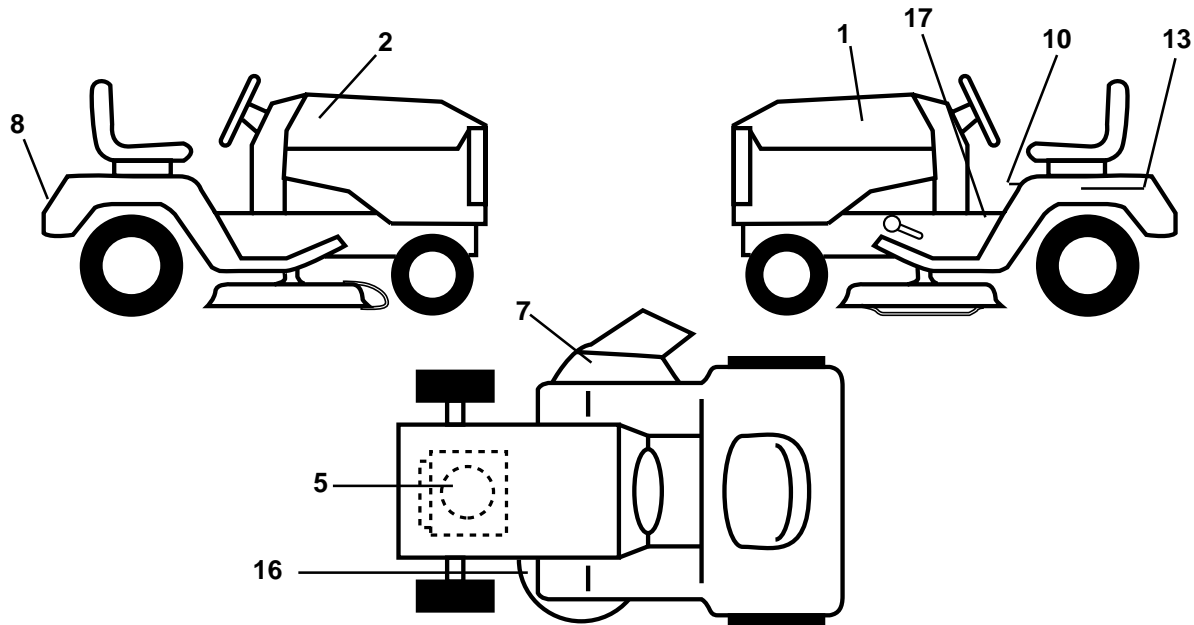
REF PART NO. NO.	DESCRIPTION	REF PART NO. NO.	DESCRIPTION
1 772108A	Cover, Transaxle	42 792073	Screw, Flanged Hex Head, Thread Forming 1/4-20 x 1-1/4
2 780086	Bearing, Needle	42A 792085A	Screw 1/4-20 x 2-1/4
3 770102A	Case, Transaxle	43 792075	Locknut 5/16-24
4 776260	Shaft, Counter	44 790025	Holder, Brake Pad
5 776219B	Shaft and Pinion Assembly, Output	45 786067	Spacer
6 778139	Gear, Output	46 786086	Bracket, Brake Lever
7 778136	Gear, Spur, 15 Teeth	47 774690	Axle 11-5/16" long
8 792136A	Key, Shift	48 774691	Axle 16-1/2" long
8A 792047	Key, Woodruff	49 778191	Gear, Spur, 37 Teeth (1 st)
9 784352	Collar, Shifter	50 778124A	Gear, Spur, 30 Teeth (2 nd)
10 784355	Rod and Fork Assembly, Shift	51 778123A	Gear, Spur, 25 Teeth (3 rd)
11 778229	Gear, Bevel, 42 Teeth	52 778273	Gear, Spur, 19 Teeth, Steel (4 th)
12 778113A	Bevel Pinion, Input	56 778230	Gear, Spur, 12 Teeth (1 st)
13 778221	Gear, Bevel	57 778126A	Gear, Spur, 20 Teeth (2 nd)
14 778068	Gear, Bevel Pinion	58 778127A	Gear, Spur, 25 Teeth (3 rd)
15 778260	Gear, Ring	59 778129A	Gear, Spur, 30 Teeth (4 th)
17 786139	Pin, Drive	63 786071	Spacer
18 786102	Spacer, Neutral	64 786072	Spacer
20 792077	Ball, Steel 5/16" diameter	65 780109	Washer, Thrust
21 792078	Set Screw 3/8-16 x 3/8	66 776135	Shaft, Input
22 792079	Spring	67 776315A	Shaft, Brake, 4 Keyed
23 788061	Ring, Seal	68 786116A	Plug
25 792073	Screw, Flanged Hex Head, Thread Forming 1/4-20 x 1-1/4	69 780051	Washer, Thrust
26 792125	Ring, Retainer (4 Required, Package of 2)	70 786118	Spacer
27 792035	Ring, Retainer	71 788069	Seal, Square Cut
28 788040	Ring, Retainer	72 792165	Plug, Threaded 9/16-18
29 780072	Washer, Thrust	72A 788091	"O" Ring
30 780108	Washer, Thrust	76 780090	Washer, Thrust
31 780001	Washer	77 788078A	Ring, Retaining, Inverted (Package of 2)
32 792001	"O" Ring	79 792144	Spring, Brake
33 788095	Seal, Square Cut	81 786081	Chain, Roller (Number 41 Chain, 24 Links)
34 780105A	Bushing, Flanged	82 786082	Sprocket, 9 Teeth (Reverse)
35 780118A	Bushing, Flanged	83 786123	Sprocket, 18 Teeth (Reverse)
36 790003	Disk, Brake	90 788067B	Grease, Bentonite, 32 Ounce Bottle
37 790007	Plate, Brake Pad	150 510334	Gasket Eliminator (Loctite #515)
38 799021	Pad, Brake	900 794534A	Replacement Transaxle
39 786026	Pin, Dowel		
40 792076A	Washer, Flat		
41 790079	Lever, Brake		

NOTE: All component dimensions given in U.S. inches
 1 inch = 25.4 mm

Parts must be ordered from Tecumseh Products Co.

TRACTOR - - MODEL NUMBER LR121 (954140001A)

DECALS



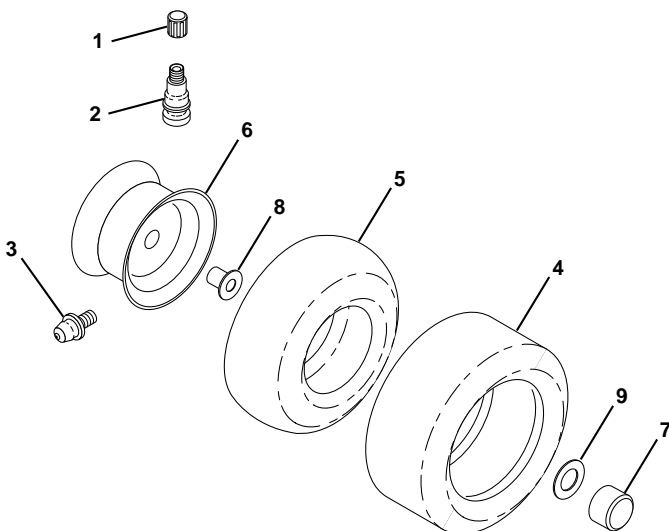
KEY NO. PART NO. DESCRIPTION

1	532 15 70-01	Decal, Hood, L. H.
2	532 15 70-00	Decal, Hood, R. H.
5	532 27 24-40	Decal, Engine
7	532 13 72-59	Decal, Warning Multi/Lang
8	532 15 06-17	Decal, Logo, Fender
10	532 15 71-98	Decal Caution Fender
13	532 14 64-51	Decal, Caution, Battery

KEY NO. PART NO. DESCRIPTION

16	532 13 68-30	Decal, V-Belt Sch.
17	532 15 71-10	Decal, Inst. Oper.
--	532 15 68-98	Manual, Owner's (English)
--	532 15 68-99	Manual, Owner's (French)
--	532 13 83-11	Decal, Handle Lift
Available accessories not included with the tractor:		
--	C36	Grass Catcher

WHEELS & TIRES



KEY NO. PART NO. DESCRIPTION

1	532 05 91-92	Cap, Valve
2	532 06 51-39	Stem, Valve
3	532 12 49-57	Fitting, Grease (Front Wheels Only)
4	532 12 34-10	Tire, Front
4	532 10 62-30	Tire, Rear
5	532 05 99-04	Tube, Front (Optional Service Items Only)
5	532 00 81-34	Tube, Rear (Optional Service Items Only)
6	532 14 20-39	Rim, Front
6	532 14 16-52	Rim, Rear
7	532 10 47-57	Cap Axle
8	532 12 49-59	Bearing Flange
9	532 12 17-48	Washer 25/32 x 1-5/8 x 16 Ga.
--	532 14 43-34	Sealant, Tire (10 oz. Tube)

NOTE: All component dimensions given in U.S. inches
 1 inch = 25.4 mm