



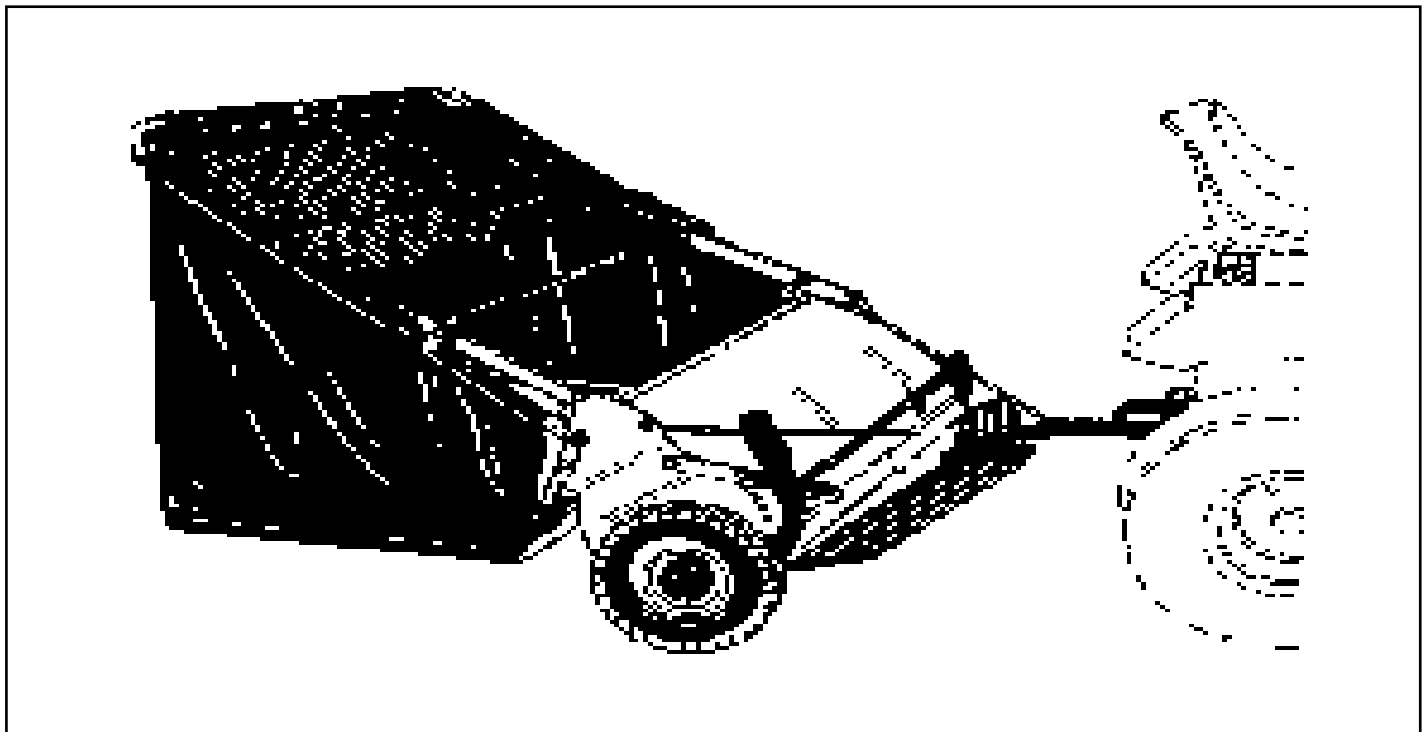
For Husqvarna Parts Call 606-678-9623 or 606-561-4983

 **Husqvarna**

		9
		1996-11

HS 380

38" LAWN SWEEPER



1.1990

Spare Parts

MODEL NUMBER'S

45-0197

190-507A-000

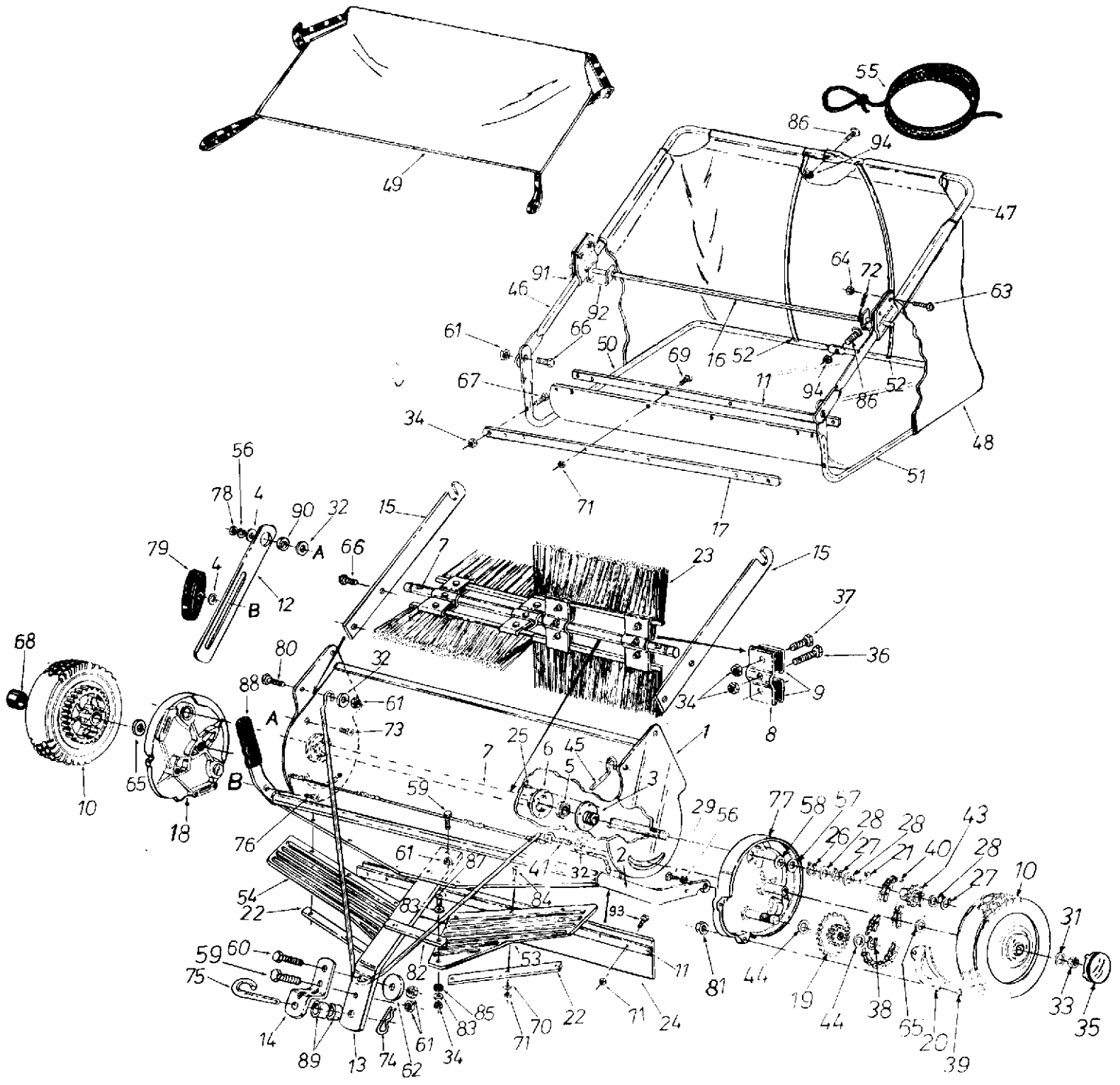
954 99 52-01

MW11-13-96

www.mymowerparts.com

For Husqvarna Parts Call 606-678-9623 or 606-561-4983

REPAIR PARTS FOR MODEL 45-0197 38" LAWN SWEEPER



REPAIR PARTS FOR MODEL 45-0197 38" LAWN SWEEPER

REF. NO.	PART NO.	QTY.	DESCRIPTION	REF. NO.	PART NO.	QTY.	DESCRIPTION
1	62500	1	Sweeper Housing Ass'y.	51	43969	1	Lower Hopper Tube—L.H.
2	62801	1	Adjustment Rod Ass'y.	52	43938	2	Hopper Support Rod 34" Lg.
3	62489	2	Brush Bushing Ass'y.				
4	43081	2	Washer, 5/16" Std.	53	43939	1	Hitch Shield—L.H.
5	1652-13	2	Ball Bearing .5916 I.D.	54	43940	1	Hitch Shield—R.H.
6	1629-56	2	Bearing Retainer	55	43737	1	Hopper Rope
7	23574	1	Brush Shaft—38"	56	43086	5	Spring Lock Washer 5/16"*
8	23580	4	Brush Retainer—Double	57	1540-31	2	Fl.-Washer .78 x 1.25x.062
9	23581	8	Brush Retainer—Single	58	1540-107	2	Fl.-Washer .78 x 1.25x.031
10	44985	2	Wheel Ass'y. Complete	59	43001	3	Hex Bolt 3/8-16 x 1" Lg.
11	23343	2	Skirt & Bag Retainer—38"				(Gr. 5)
12	23387	1	Height Adjustment Strap	60	43062	1	Hex Bolt 3/8-16 x 1-1/2"Lg.*
13	23349	1	Hitch Bar	61	43082	10	Hex Lock Nut 3/8-16 Thd.
14	23014	1	Hitch Bracket	62	R19172410	1	Fl.-Washer 17-32 x 1-1/2 x 10 Ga.
15	23595	2	Hopper Mount Arm				
16	23601	1	Hopper Bag Pivot Rod	63	43182	4	Hex Bolt 5/16 x 3/4" Lg.*
17	23352	1	Bag Frame Strap	64	43064	4	Hex Lock Nut 5/16-18 Thd.
18	62792	1	Housing Wheel Drive Ass'y. (R.H.)	65	44008	2	Fl.-Washer .78 I.D.
				66	43407	4	Hex Bolt 3/8-16 x 3/4" Lg. (Gr. 5)
19	62490	2	Gear Sprocket Sub. Ass'y.				
20	23573	2	Dust Cover	67	1509-90	2	Hex Bolt 1/4-20 x 1-1/4"Lg.*
21	1671-1	2	Pawl	68	1652-52	2	Wheel Bearing
22	23597	2	Shield Retainer	69	43346	6	Slotted Truss Hd. Scr. #10-32 x 5/8" Lg.*
23	43904	4	Sweeper Brush				
24	43673	1	Skirt	71	43662	18	Hex Lock Nut #10-32 Thd.*
25	C-9M5732	8	Pop Rivet	72	0142-000	2	Cotter Pin 1/8" x 3/4" Lg.*
26	43655	2	Retaining Ring—3/4"	73	43080	1	Carriage Bolt 5/16-18 x 3/4" Lg.*
27	1650-21	4	Retaining Ring—.594" I.D.				
28	44007	6	Shim Wash. .596 x 1.125 x .025	74	43343	1	Hair Pin Cotter
				75	23353	1	Hitch Pin
29	43182	4	Hex Bolt 5/16 x 3/4" Lg.*	76	43080	1	Carriage Bolt 5/16-18 x 3/4" Lg.*
31	0141-000	2	Fl.-Washer .38 x 1.25 x .06				
32	43070	5	Washer, 3/8" Std.	77	62791	1	Housing Wheel Drive Ass'y. (LH)
33	1038	2	Hex Lock Nut 3/8-24 Thd.				
34	43013	16	Hex Lock Nut 1/4-20 Thd.	78	43083	1	Hex Nut 5/16-18 Thd.*
35	2674-32	2	Hub Cap	79	43720	1	Knob, Wing 5/16-18 Thd.
36	43661	4	Hex Bolt 1/4-20 x 1.0" Lg.*	80	43087	2	Hex Bolt 3/8-16 x 1-1/4"Lg.
37	43012	8	Hex Bolt 1/4-20 x 3/4" Lg.* (Gr. 5)	81	1534-8	4	Hex Lock Nut #10-32 Thd.*
				82	43941	1	Rubber Connector Flap
38	43894	2	Retaining Ring—1/2"	83	43088	4	Fl. Washer 1/4" Std.*
39	44004	4	Pan Hd. Screw #10-32 x 1" Lg.	84	43346	6	Slot Truss Hd. Scr. #10-32 x 5/8" Lg.
40	44542	2	Roller Chain 3/8 x 1/2-40	85	1543-69	2	Nylon Washer 21/64
41	43932	2	Hex Bolt 3/8-24 x 3-1/4" Lg. (Gr. 5)	86	43978	2	Curved Head Bolt 1/4-20 x 1" Lg.
42	43890	1	Ratchet Sprocket R.H.-11 T. (Not Shown)	87	43012	2	Hex Bolt 1/4-20 x 3/4" Lg.
				88	43943	1	Grip
43	43889	1	Ratchet Sprocket L.H.-11 T.	89	23368	2	Hitch Adjustment Tube
44	44137	4	Washer .51 x .990 x .02	90	23400	1	Spacer 13/32 x 5/8 x 3/16
45	43958	1	Brace Rod	91	23331	4	Hopper Mounting Clamps
46	43966	1	Upper Hopper Tube—R.H.	92	23354	2	Bag Retainer Clevis
47	43967	1	Upper Hopper Tube—L.H.	93	1095	6	Slotted Truss Hd. Scr. #10-32 x 1/2" Lg.*
48	44067	1	Hopper Bag				
49	43937	1	Wind Screen	94	43013	2	Nut, Lock Hex 1/4-20 Thd.*
50	43968	1	Lower Hopper Tube—R.H.		44625		Owner's Manual

*Common hardware may be purchased locally.