

For Husqvarna Parts Call 606-678-9623 or 606-561-4983

GRASS CATCHER KIT NO. GCK2200B

ASSEMBLY INSTRUCTIONS

KIT CONTENTS:

- | | |
|-----------------------|---------------------|
| (1) Grass Bag | (4) Hex Head Screws |
| (1) Upper Frame | (1) Lower Frame |
| (1) R.H. Side Tube | (1) L.H. Side Tube |
| (1) Muffler Deflector | |

(For Bolt-on Chute Guard Models Only):

- | | |
|--------------------|---------------------|
| (1) Hinge Bracket | (2) 1/4-20 Locknuts |
| (2) Hinge Rod | (2) Push Nuts |
| (1) Torsion Spring | |

When right and left hand is mentioned in these instructions, it means when you are in the operating position of the mower (standing behind and facing the mower).

TO ASSEMBLE GRASS CATCHER

- Thread long leg of upper frame into right hand side of hem in grass bag as shown. Gather entire bag on the long leg of frame first, then, slide bag around back and left side of frame (see Figs. 1 & 2).
- Leave ends of upper frame exposed and insert ends inside the bag and back out the lower mouth opening as shown (see Fig. 3).
- Position and assemble side tubes and lower frame to upper frame as shown (see Fig. 3). Be sure side tubes are fully seated onto upper and lower frames.
- Pull mouth of bag down to lower frame.
- Starting with the sides first, slip all four (4) vinyl bindings onto lower frame (see Fig. 4).
- Close dumping flap by pulling flap over back of upper frame.

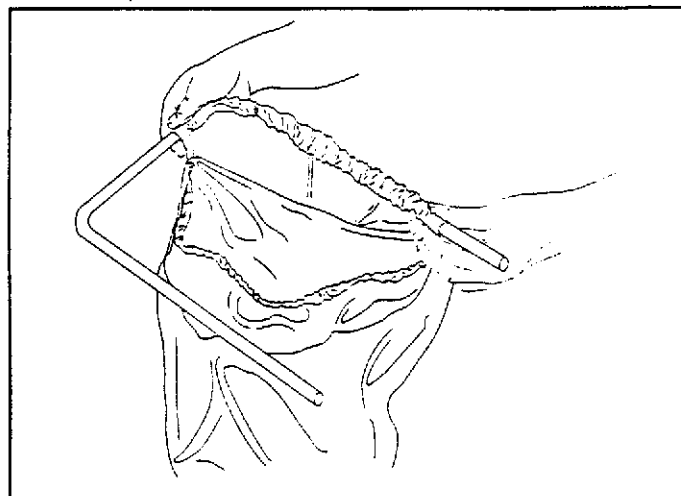


FIG. 2

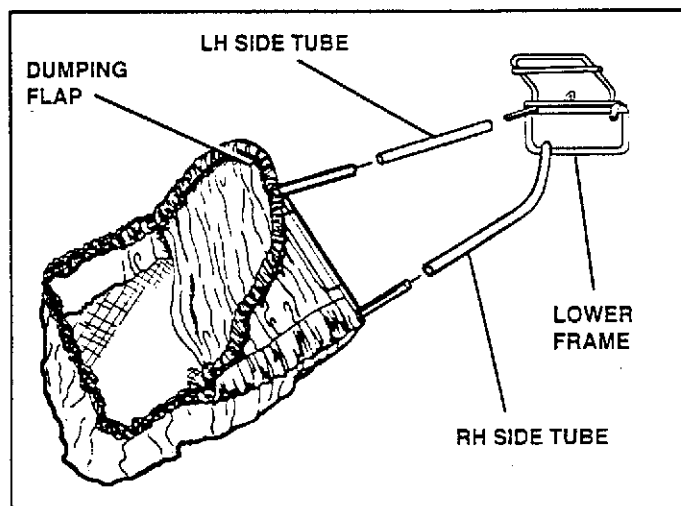


FIG. 3

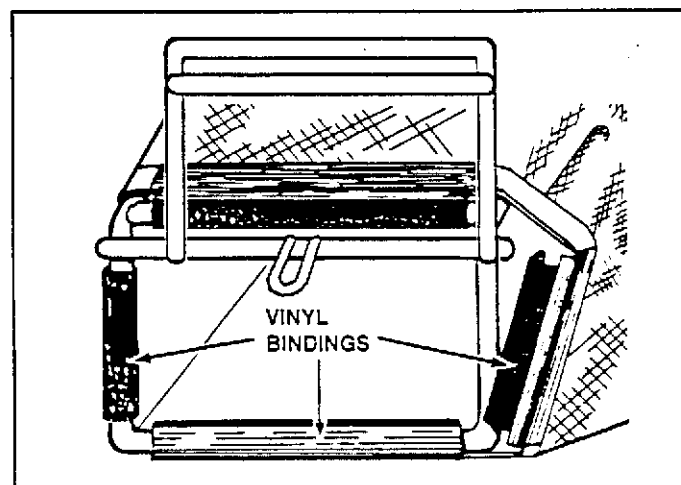


FIG. 4

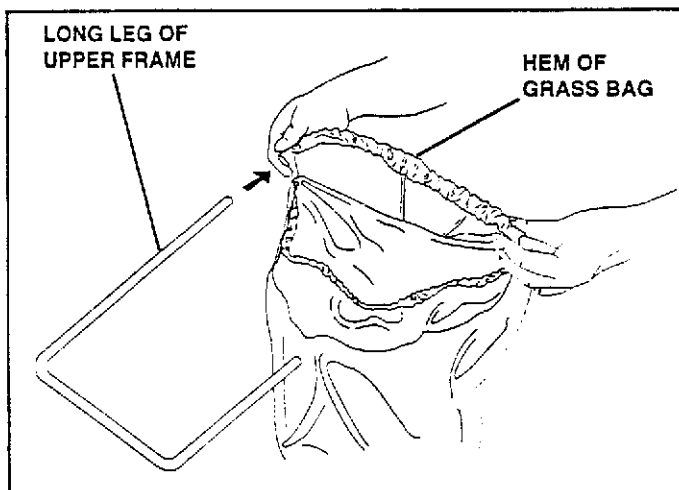


FIG. 1

ASSEMBLE HINGE BRACKET (See Figs. 5-7)

FOR BOLT-ON CHUTE GUARD MODELS ONLY)

If your mower is equipped with a bolt on chute guard the chute guard must be removed and reassembled with new hinge bracket, spring, and hinge rod supplied in this kit. If your lawn mower has a spring loaded chute guard, proceed to section "TO ATTACH GRASS CATCHER".



CAUTION: Disconnect spark plug wire from spark plug and place wire where it cannot contact spark plug.

- Remove bolt-on chute guard and discard hardware.
- Position hinge bracket studs into holes in mower deck discharge chute with hooked flange on bracket pointing outwards, away from mower, as shown.
- Install, from underside of mower, 1/4-20 locknuts as shown and tighten securely.
- Place chute guard in position shown and slide hinge rod through front tab holes of hinge bracket and chute guard.
- Slide torsion spring on hinge rod, as shown. Be sure that both extended ends of spring are pointing up.
Rotate looped end of spring in direction shown around to top side of chute guard. Be sure that straight end of spring rests against the top of mower deck housing.
- While holding spring in rotated position, continue pushing hinge rod through rear tabs of chute guard and hinge bracket so rod extends outside both front and rear tabs.

BEFORE INSTALLING PUSH NUTS TO HINGE ROD, CHECK FOR PROPER ASSEMBLY -

Chute guard should automatically close (fall down over discharge opening) when released from any raised position.

- Raise chute guard to full raised position and slowly allow it to return to its closed position.
- If chute guard binds or hangs up while closing, remove hinge rod and repeat assembly steps above.

Repeat check and assembly, as necessary, until chute guard closes automatically and completely from any raised position.

- Assemble push nuts to ends of hinge rod.



CAUTION: Do not operate lawn mower without the discharge guard or an approved grass catcher in place.

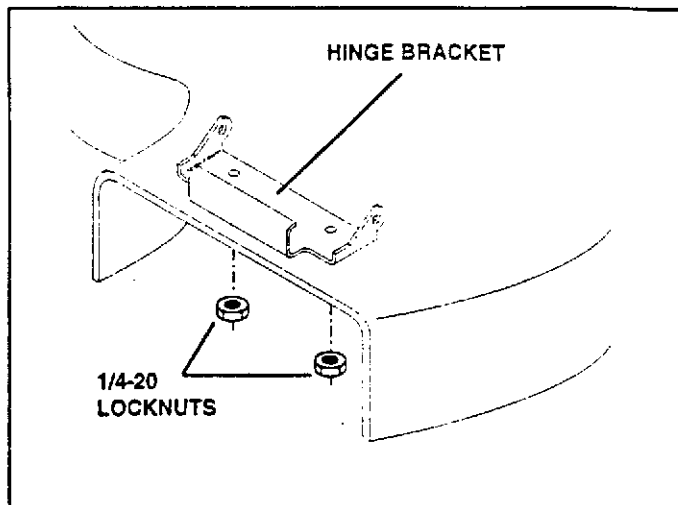


FIG. 5

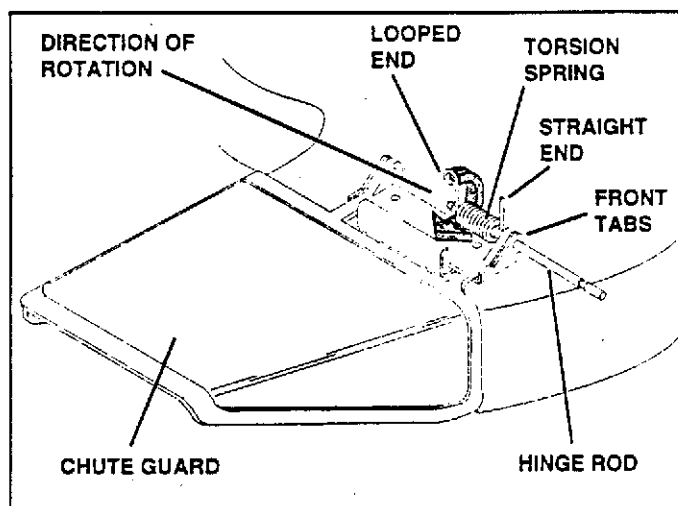


FIG. 6

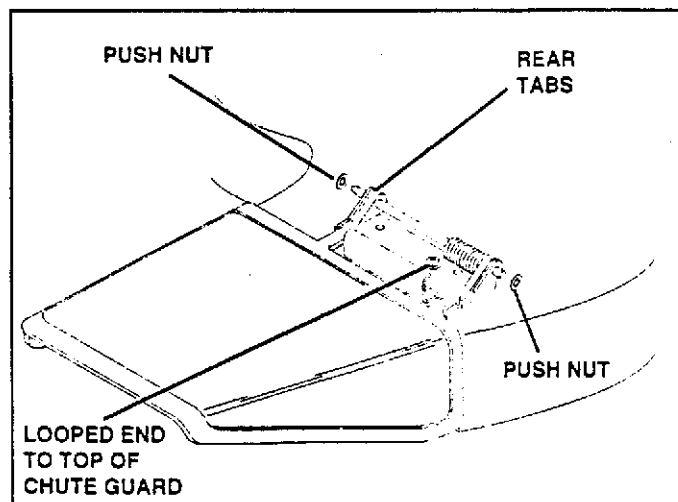


FIG. 7

TO ATTACH GRASS CATCHER (See Fig. 8-9)

- ⊞ Raise and hold chute guard open
- ∑ Place bagger assembly over rear edge of discharge opening.
- ∏ Slide lower frame support tab over hooked flange of deck bracket and under hinge rod of chute guard.
- π Position lower frame support rail in hooked flange of deck bracket.

MUFFLER DEFLECTOR (For models with spark plug at rear of mower) (See Fig. 10)

If your model has the spark plug in the front, disregard the following instructions and discard the muffler deflector.

- Position the deflector over the muffler with deflector opening towards the rear of mower as shown.
- Align mounting holes and install the four (4) screws. Tighten securely.

TO EMPTY GRASS CATCHER

Simply remove grass catcher from mower (reverse the steps under "To attach the grass catcher"), open dumping flap and empty catcher through opening.

- Close dumping flap and reattach catcher to mower.



CAUTION: Do not operate lawn mower with the dumping flap open.

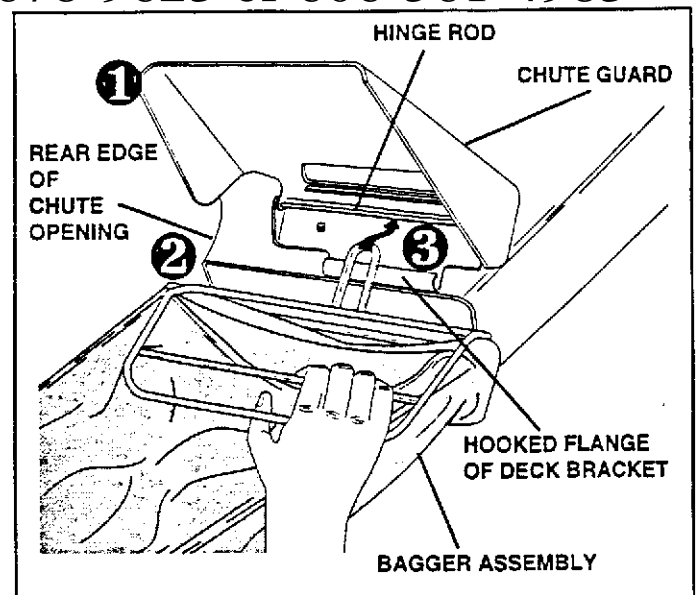


FIG. 8

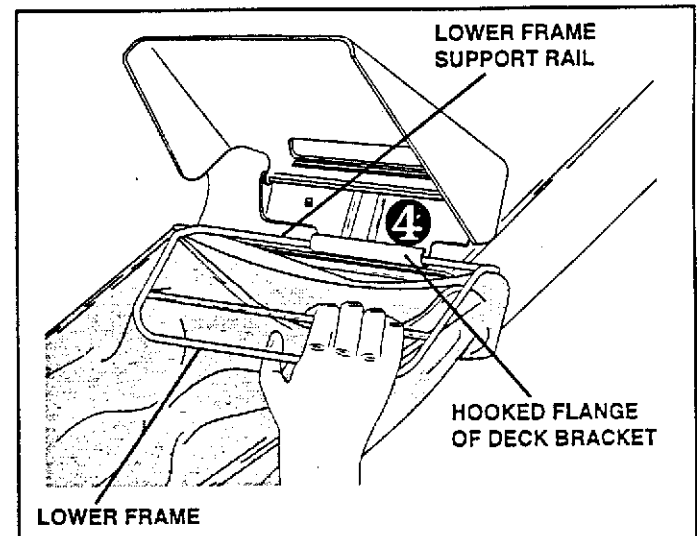


FIG. 9

KEEP THESE INSTRUCTIONS FOR FUTURE REFERENCE AND REPAIR PARTS ORDERING.

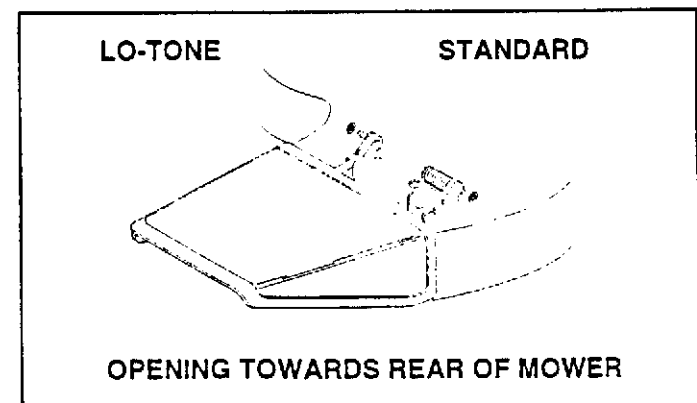
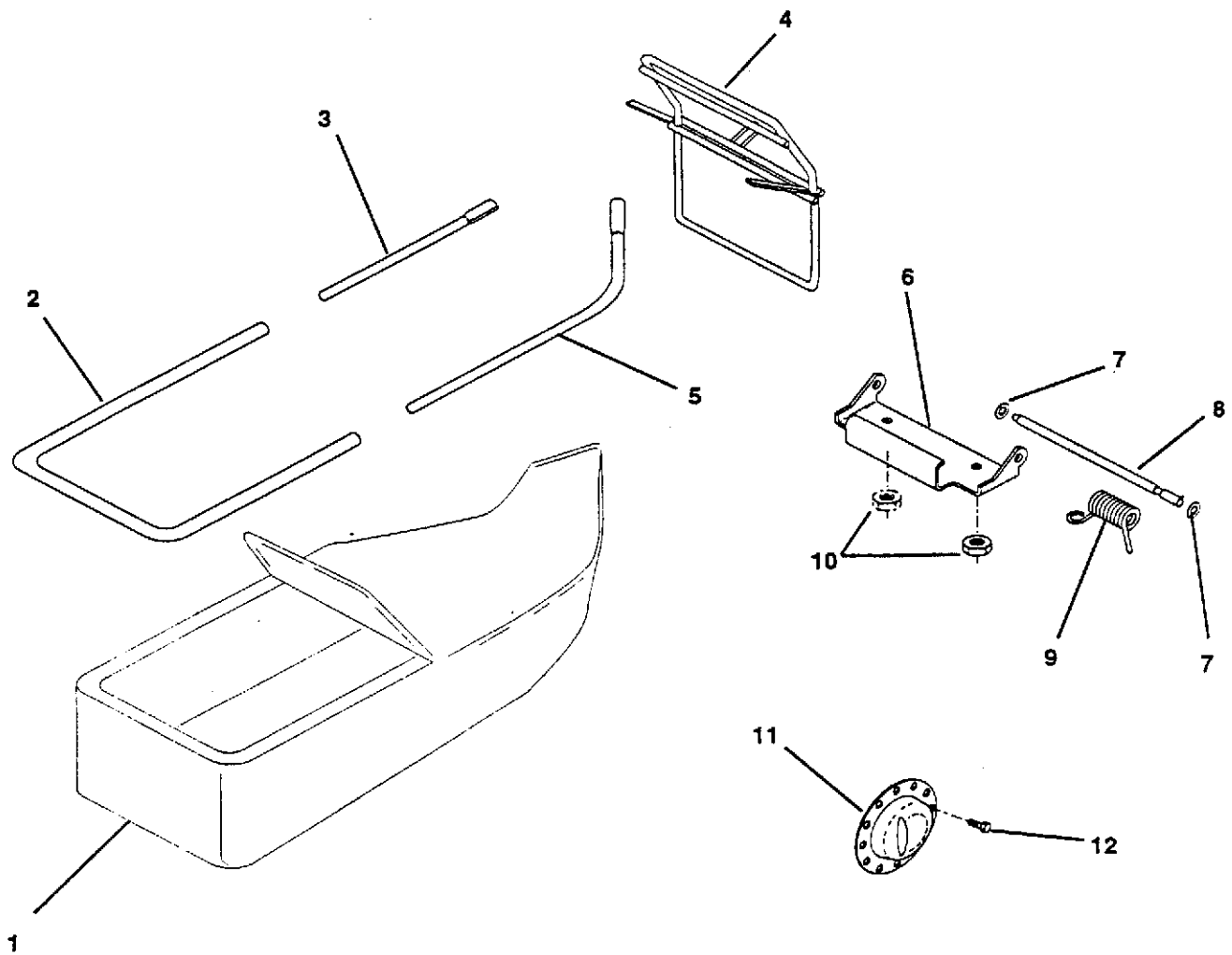


FIG. 10

For Husqvarna Parts Call 606-678-9623 or 606-561-4983
REPAIR PARTS



KEY PART NO.	NO.	DESCRIPTION
1	132685	Grass Bag
2	132683	Frame, Upper
3	134908	Side Tube, LH
4	137203	Frame, Lower
5	134907	Side Tube, RH
6	88602	Hinge Bracket
7	83731	Nut, Push
8	801728	Rod, Hinge
9	851855	Spring, Torsion
10	63601	Locknut
11	223290	Deflector, Muffler (Order from B&S)
12	93705	Screw (Order from B&S)