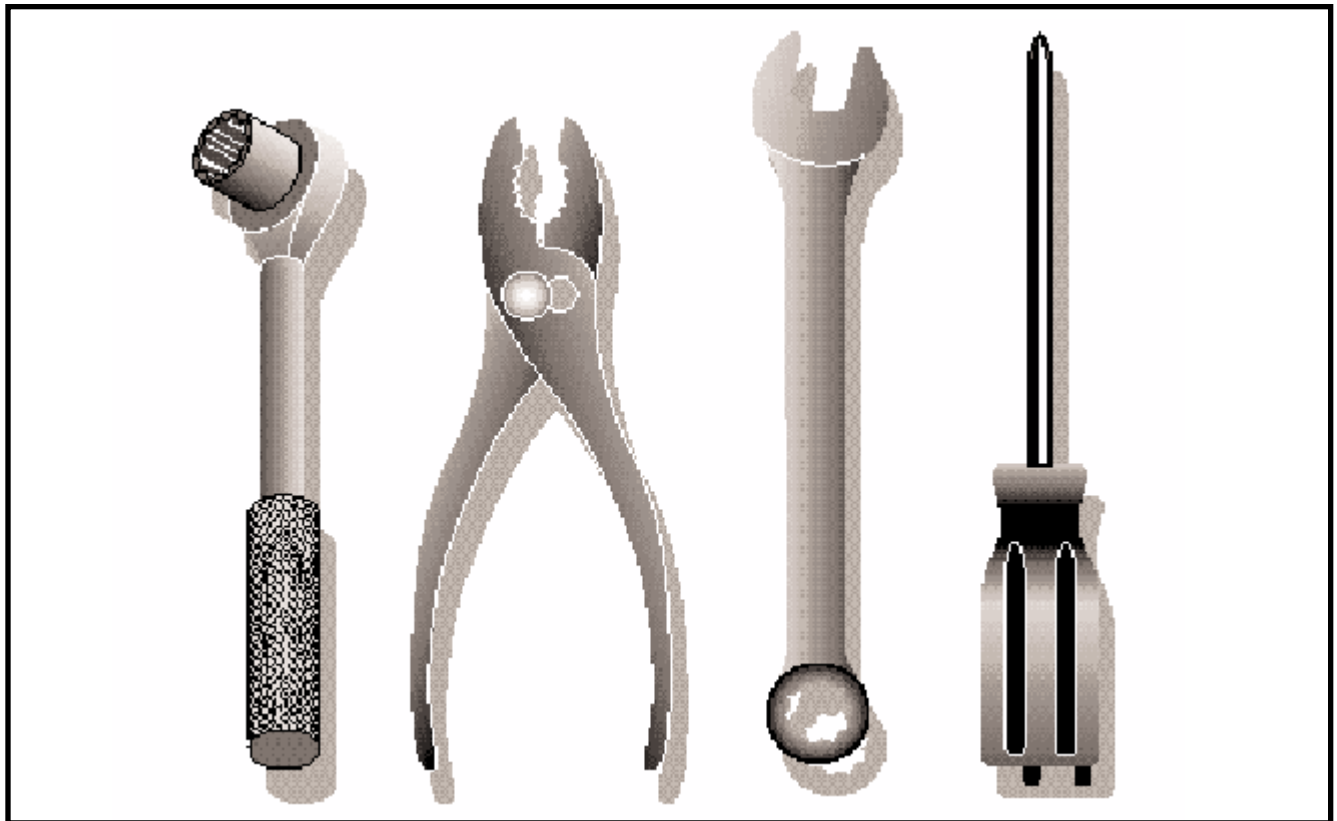




Illustrated Parts List	1995-03
	I9502013

# YTH 190

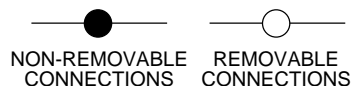
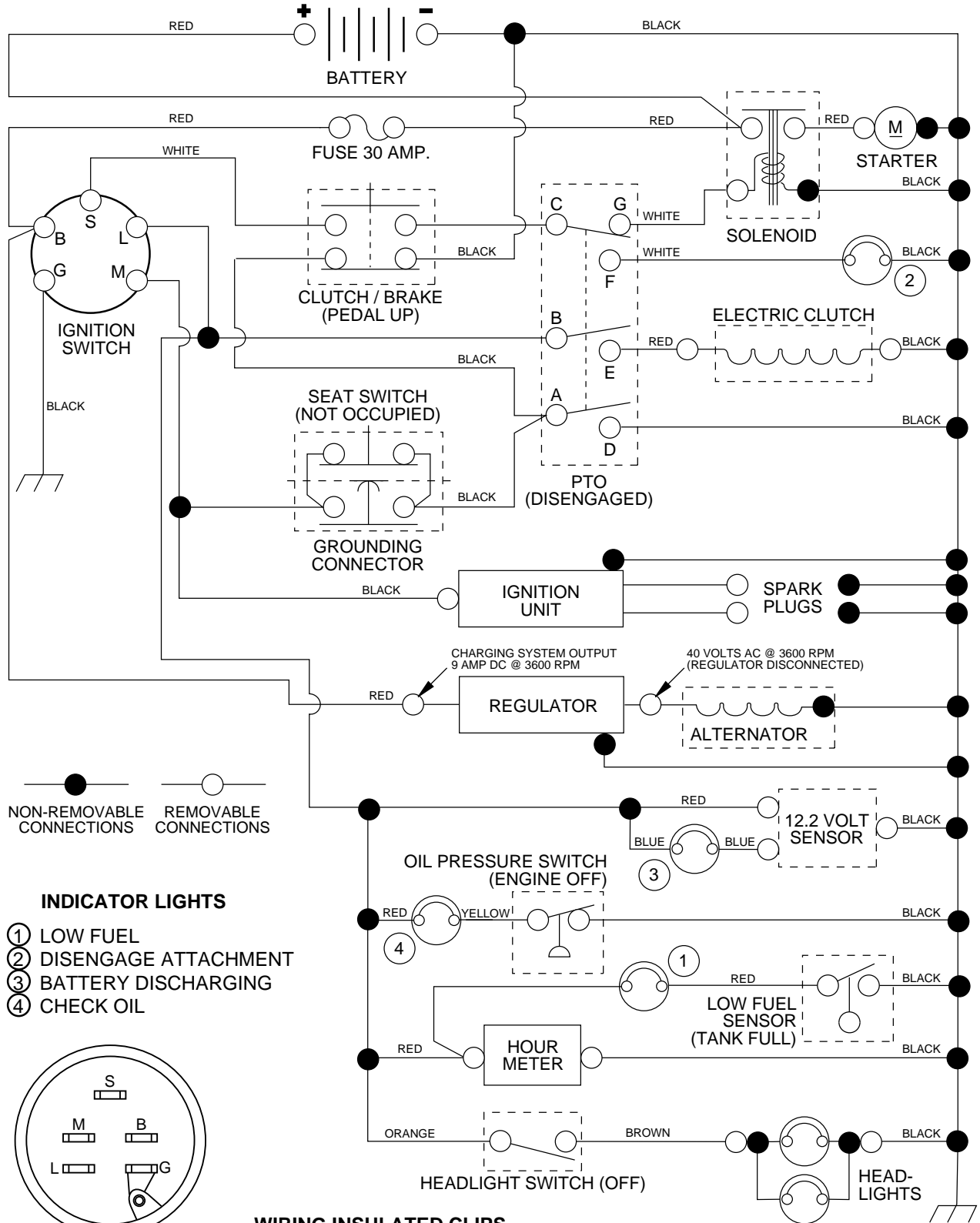
954001972A



Repair Parts Manual

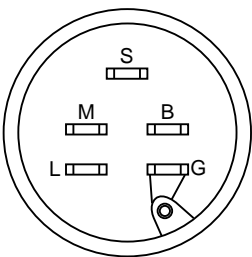
Ride Mower

**SCHEMATIC**



**INDICATOR LIGHTS**

- ① LOW FUEL
- ② DISENGAGE ATTACHMENT
- ③ BATTERY DISCHARGING
- ④ CHECK OIL



**IGNITION SWITCH**

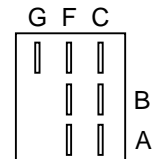
POSITION	CIRCUIT
OFF	M + G
ON	B + L
START	B + S + L

**WIRING INSULATED CLIPS**

**NOTE:** IF WIRING INSULATED CLIPS WERE REMOVED FOR SERVICING OF UNIT, THEY SHOULD BE REPLACED TO PROPERLY SECURE YOUR WIRING.

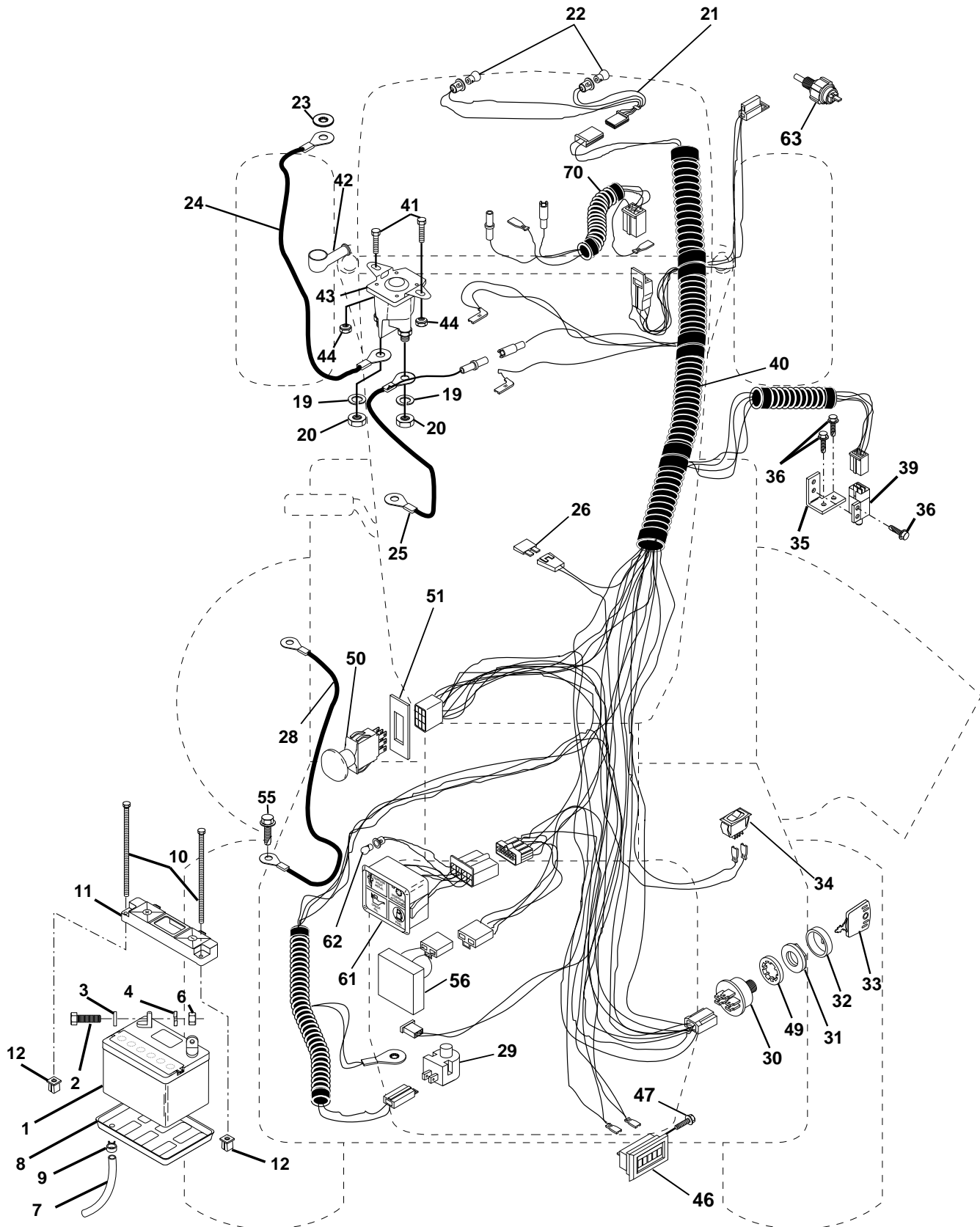
**PTO SWITCH**

POSITION	CIRCUIT
OFF	C + G
ON	C + F, B + E, A + D



# For Husqvarna Parts Call 606-678-9623 or 606-561-4983 REPAIR PARTS

TRACTOR - MODEL NO. YTH190 (954001972A), PRODUCT NO. 954 00 19-72  
ELECTRICAL



# For Husqvarna Parts Call 606-678-9623 or 606-561-4983

## REPAIR PARTS

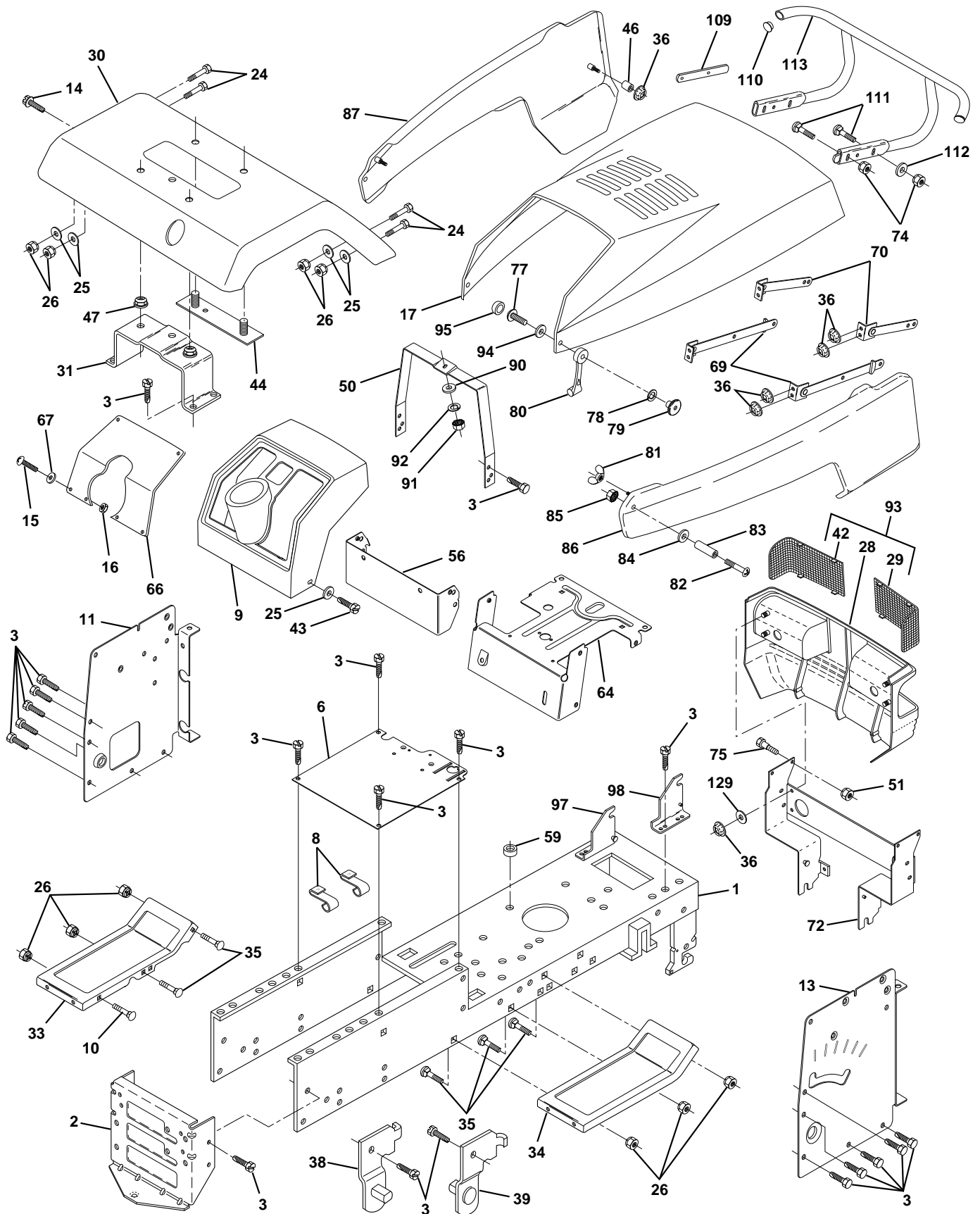
TRACTOR - MODEL NO. YTH190 (954001972A), PRODUCT NO. 954 00 19-72  
ELECTRICAL

KEY NO.	PART NO.	DESCRIPTION
1	532144926	Battery
2	874760412	Bolt, Hex Head 1/4-20 x 3/4
3	819091016	Washer 9/32 x 5/8 x 16 Gauge
4	810040400	Washer, Lock 1/4
6	873220400	Nut, Hex 1/4-20
7	532007697	Tube, Tray, Battery
8	532124886	Tray, Battery
9	532109596	Clamp, Hose
10	532145211	Bolt, BTR FRT 1/4-20 x 7-1/2 Zinc
11	532145209	Holddown Battery Dash Mount
12	532145769	Nut, Push Nylon Battery FRT 1/4"
19	810090400	Washer, Lock 1/4
20	873350400	Nut, Hex, Jam 1/4-20
21	532136850	Harness, Socket, Light w/4152J
22	532004152	Bulb, Light
24	532124780	Cable, Battery
25	532146148	Cable, Starter, 6 Ga W/16 Wire 22" Red
26	532108824	Fuse
28	532145491	Cable, Battery
29	532121305	Switch, Plunger
30	532144921	Switch, Ignition
31	532140400	Nut, Ignition
32	532141226	Cover, Switch, Ignition
33	532140401	Key, Molded
34	532110712	Switch, Light
35	532108236	Bracket Switch Interlock
36	817021008	Screw, Hex Tap #10-24 UNC
39	532109553	Switch, Interlock (4 Terminal)
40	532146061	Harness, Ignition
41	871110408	Bolt Blk Fin Hex 1/4-20 Unc x 1/2
42	532131563	Cover, Terminal
43	532145673	Solenoid
44	873640400	Nut Keps Blk Hex 1/4-20 Unc
46	532110940	Meter, Hour
47	817011008	Screw #10-24 x 1/2
49	811151000	Washer Lock Internal Tooth 5/8
50	532140404	Switch, P.T.O.
51	532140405	Ring, Retainer, Pto
55	817490508	Screw Thdrol 5/16-18 x 1/2 TYT
56	532127385	Sensor, Low Voltage
61	532126519	Package, Light
62	532110143	Bulb, Light Package
63	532142320	Switch, Engine Oil Pressure
70	532149961	Harness, Engine

**NOTE:** All component dimensions given in U.S. inches  
1 inch = 25.4 mm

# For Husqvarna Parts Call 606-678-9623 or 606-561-4983 REPAIR PARTS

TRACTOR - MODEL NO. YTH190 (954001972A), PRODUCT NO. 954 00 19-72  
CHASSIS AND ENCLOSURES



# For Husqvarna Parts Call 606-678-9623 or 606-561-4983

## REPAIR PARTS

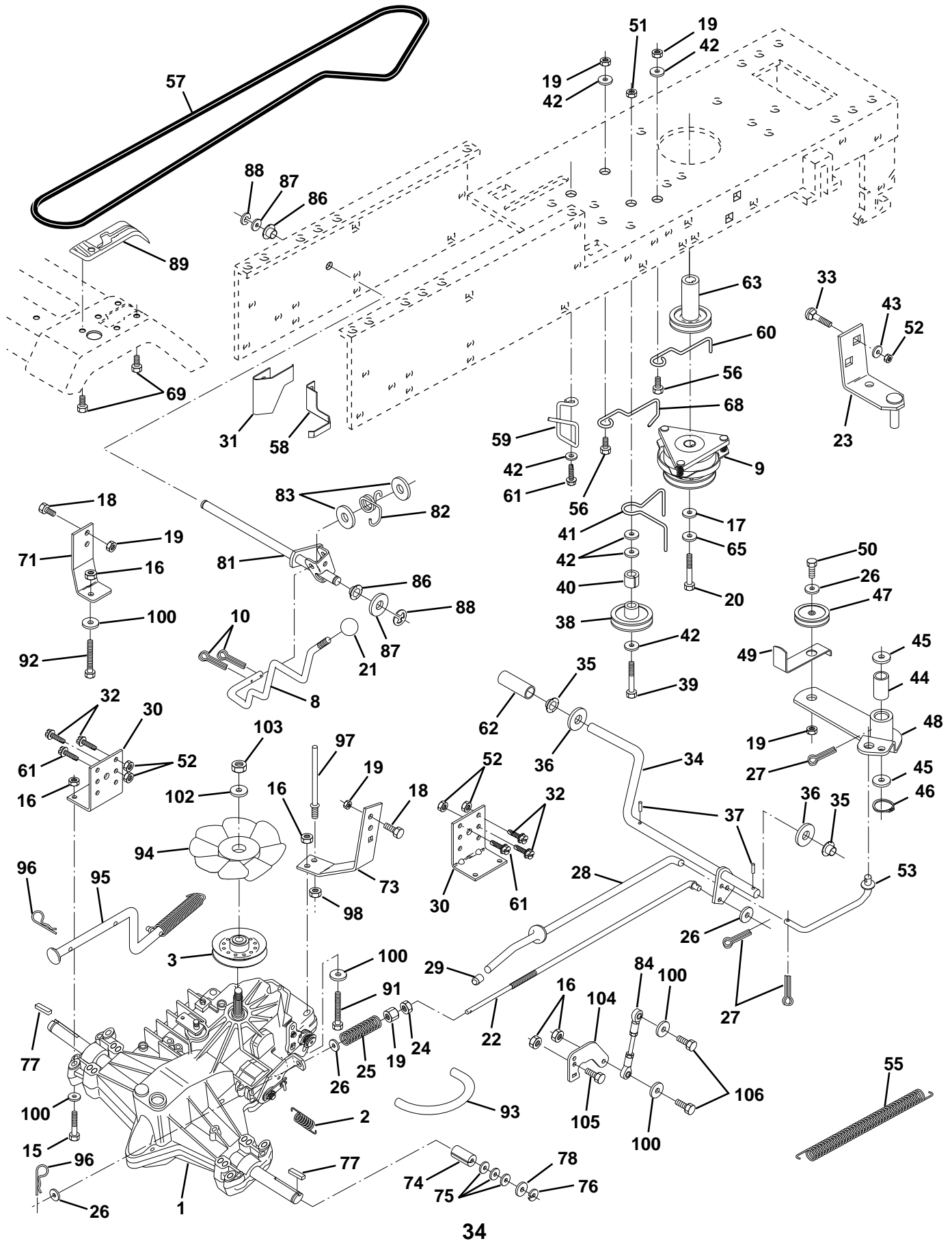
**TRACTOR - MODEL NO. YTH190 (954001972A), PRODUCT NO. 954 00 19-72**  
**CHASSIS AND ENCLOSURES**

KEY PART NO. NO.	DESCRIPTION	KEY PART NO. NO.	DESCRIPTION
1	532145501 Chassis	67	819111116 Washer 11/32 x 11/16 x 16 Gauge
2	532140356 Drawbar	69	532106784 Strap Assembly, Hinge, Rear
3	817490612 Screw, Thdrol 3/8-16 x 3/4	70	532104618 Strap Assembly, Hinge, Front
6	532145206 Saddle	72	532124574 Support Assembly, Grille
8	532126471 Clip, Insulator	74	873680600 Nut Crownlock 3/8-16 UNC
9	532140452 Dashboard	75	532123481 Bolt, Shoulder 1/4-20 UNC
10	872140608 Bolt, Carriage 3/8-16 UNC x 1	77	874191008 Screw, Machine, Cross Pan Head #10-24 x 1/2
11	532145218 Dash Panel, LH	78	810071000 Washer, Lock #10
13	532145217 Dash Panel, RH	79	532125004 Nut, Weld
14	817490608 Screw, Thd., Roll. 3/8-16 x 1/2	80	532109808 Latch, Chute
15	874180512 Screw, Machine 5/16-18 UNC x 3/4	81	532123198 Wing Nut, Plastic 1/4-20
16	873510500 Nut, Hex, Keps 5/16-18 UNC	82	874981020 Screw, Machine, Cross Pan Head #10-24 x 1-1/4
17	532125454 Hood	83	532007206 Spacer, Split #10 x 3/4
24	874780616 Bolt Fin Hex 3/8-16 UNC x 1 Gr. 5	84	819070818 Washer 7/32 x 1/2 x 18 Gauge
25	819131312 Washer 13/32 x 13/16 x 12 Gauge	85	873731000 Nut, Hex, Keps #10-24 UNC
26	873800600 Nut Lock Hex W/Ins. 3/8-16 UNC	86	532143365 Side Panel, RH
28	532127325 Grille	87	532143364 Side Panel, LH
29	532124251 Lens, Headlight, RH, Smoked	90	819091216 Washer 9/32 x 3/4 x 16 Gauge
30	532141449 Fender	91	873320400 Nut Fin Hex 1/4-20 UNC
31	532137113 Bracket Fender	92	810040400 Washer, Lock, Hvy Hlcl 1/4
33	532147203 Footrest, LH	93	532127320 Grill Assembly
34	532147202 Footrest, RH	94	532110357 Washer, Cap
35	872110606 Bolt, Carriage 3/8-16 x 3/4	95	532110356 Cap, Black
36	532108067 Nut Pal	97	532110853 Pivot Bracket Assembly, LH
38	532139886 Pivot Bracket Assembly, Rear, LH	98	532110852 Pivot Bracket Assembly, RH
39	532139887 Pivot Bracket Assembly, Rear, RH	109	532141461 Bracket Extension Bumper
42	532124250 Lens, Headlight, LH, Smoked	110	532143679 Plug Plastic
43	817490612 Screw Thdrol 3/8-16 x 3/4 Ty-Tt	111	872140610 Bolt Carriage 3/8-16 x 1-1/4
44	532140675 Strap, Fender	112	819131316 Washaer 13/32 x 13/16 x 16 Ja.
46	532127316 Retainer	113	423141460 Bumper Asm w/Poly Bag
47	532105531 Nut, Push, Nylon	129	819091016 Washer 9/32 x 5/8 x 16 Ga.
50	532145205 Support, Dash	--	532121794 Cover Access
51	873800400 Nut Lock W/Insert 1/4-20 UNC	--	532125085 Plug, Button
56	532145151 Extension Dash		
59	532110436 Bushing, Snap Split		
64	532145095 Dash, Lower		
66	532141626 Plate, Dash		

**NOTE:** All component dimensions given in U.S. inches  
1 inch = 25.4 mm

# For Husqvarna Parts Call 606-678-9623 or 606-561-4983 REPAIR PARTS

TRACTOR - MODEL NO. YTH190 (954001972A), PRODUCT NO. 954 00 19-72  
DRIVE



# For Husqvarna Parts Call 606-678-9623 or 606-561-4983

## REPAIR PARTS

TRACTOR - MODEL NO. YTH190 (954001972A), PRODUCT NO. 954 00 19-72

### DRIVE

KEY NO.	PART NO.	DESCRIPTION	KEY NO.	PART NO.	DESCRIPTION
1	532144436	Transaxle Assembly	55	532105709	Spring, Return, Clutch
2	532142431	Spring, Return, Brake	56	874760620	Bolt Fin Hex 3/8-16 Unc x 1-1/4
3	532143995	Pulley, Transaxle	57	532140294	V-Belt, Ground Drive
8	532141002	Rod Shift Hydro YT	58	532140470	Keeper Belt Lh Hydro 0750.18/20"
9	532137140	Clutch Electric	59	532140312	Keeper, Center Span
10	876020416	Pin Cotter 1/8 x 1 CAD	60	532121218	Keeper Belt Engine
15	874780544	Bolt Fin Hex 5/16-18 Unc	61	817490612	Screw Thdrol. 3/8-16 x 3/4 Ty. TT
16	873800500	Nut Lock Hex W/Ins. 5/16-18 Unc P	62	532123533	Cover, Pedal
17	532126197	Washer 1-1/2 OD x 15/32 ID x .250	63	532140189	Pulley, Engine
18	874780616	Bolt Fin Hex 3/8-16 Unc x 1 Gr.5	65	810040700	Washer
19	873680600	Nut Lock Hex W/Wsh 3/8-16 Unc	68	532105730	Keeper Belt Engine
20	871170768	Bolt, Hex 7/16-20 x 4-1/4 Ja. 5	69	532142432	Screw
21	532140845	Knob Deluxe 1/2-13 UNC BLK/BLK	71	532140158	Strap Torque Lh Hydro 18/20" T
22	532145240	Rod, Brake Hydro	73	532140157	Strap Torque Rh Hydro 18/20" T
23	532137141	Bracket Asm Mtg CL	74	532121199	Spacer, Split
24	873350600	Locknut	75	532121749	Washer 25/32 x 1-1/4 x 16 Gauge
25	532106888	Spring, Brake Rod	76	812000001	E-Ring
26	819131316	Washer	77	532123583	Key, Square
27	876020412	Pin Cotter 1/8 x 3/4 CAD.	78	532121748	Washer 25/32 x 1-5/8 x 16 Gauge
28	532145204	Rod, Parking Brake	81	532140154	Shaft Asm. Cross Hydro 20" Tires
29	532071673	Cap, Parking Brake	82	532123782	Spring Torsion T/A
30	532130807	Bracket, Transaxle	83	819171216	Washer 17/32 x 3/4 x 16 Ga.
31	532127275	Keeper Belt Lh	84	532140548	Rod, Tie Hydro 20" Tires
32	874760512	Bolt Hex Hd 5/16-18 Unc x 3/4	86	532071208	Bushing Rod Strig. 629/632 ID
33	872140506	Bolt Carriage 5/16-18 UNC x 3/4	87	819212016	Washer 21/32 x 1-1/4 x 16 Ga.
34	532149001	Shaft, Foot Pedal	88	812000008	Ring Klip #5304-62
35	532120183	Bearing, Nylon	89	532139989	Console, Shift
36	819211616	Washer	91	874780536	Bolt Fin Hex 5/16-18 x 2-1/4
37	532124963	Pin, Roll	92	874780524	Bolt Fin Hex 5/16-18 Unc x 1-1/2
38	532123674	Pulley, Idler, Flat	93	532142564	Line Fuel Hydro 4"
39	874760644	Bolt	94	532140462	Fan, Hydro 7"
40	532124965	Spacer Split	95	532144643	Control Asm. Bypass Hydro
41	532109070	Keeper, Belt Retainer	96	532124788	Retainer Spring 1" Zinc/Cad
42	819131312	Washer 13/32 x 13/16 x 12 Gauge	97	532140469	Keeper Belt Rh Hydro 0750.18/20"
43	819111012	Washer 11/32 x 5/8 x 12 Ga.	98	873510600	Nut Keps Hex 3/8-16 Unc
44	532105706	Bearing, Nylon	100	819111216	Washer 11/32 x 3/4 x 16 Ga.
45	532110812	Washer, Hardened	102	532141322	Washer Belleville .501D x 1.50D
46	812000039	Ring, Klip	103	873940800	Nut Hex Jam Toplock 1/2-20 Unf
47	532127783	Pulley, Idler, V-Groove	104	532140156	Arm, Control Hydro
48	532123789	Bellcrank Assembly	105	871070516	Screw Cap Hex 5/16 x 18 x 1
49	532123205	Retainer, Belt	106	874780520	Bolt Fin Hex 5/16-18 Unc x 1-1/4
50	874760624	Bolt			
51	873680600	Nut			
52	873680500	Nut Crown Lock 5/16-18			
53	532105710	Link, Clutch			

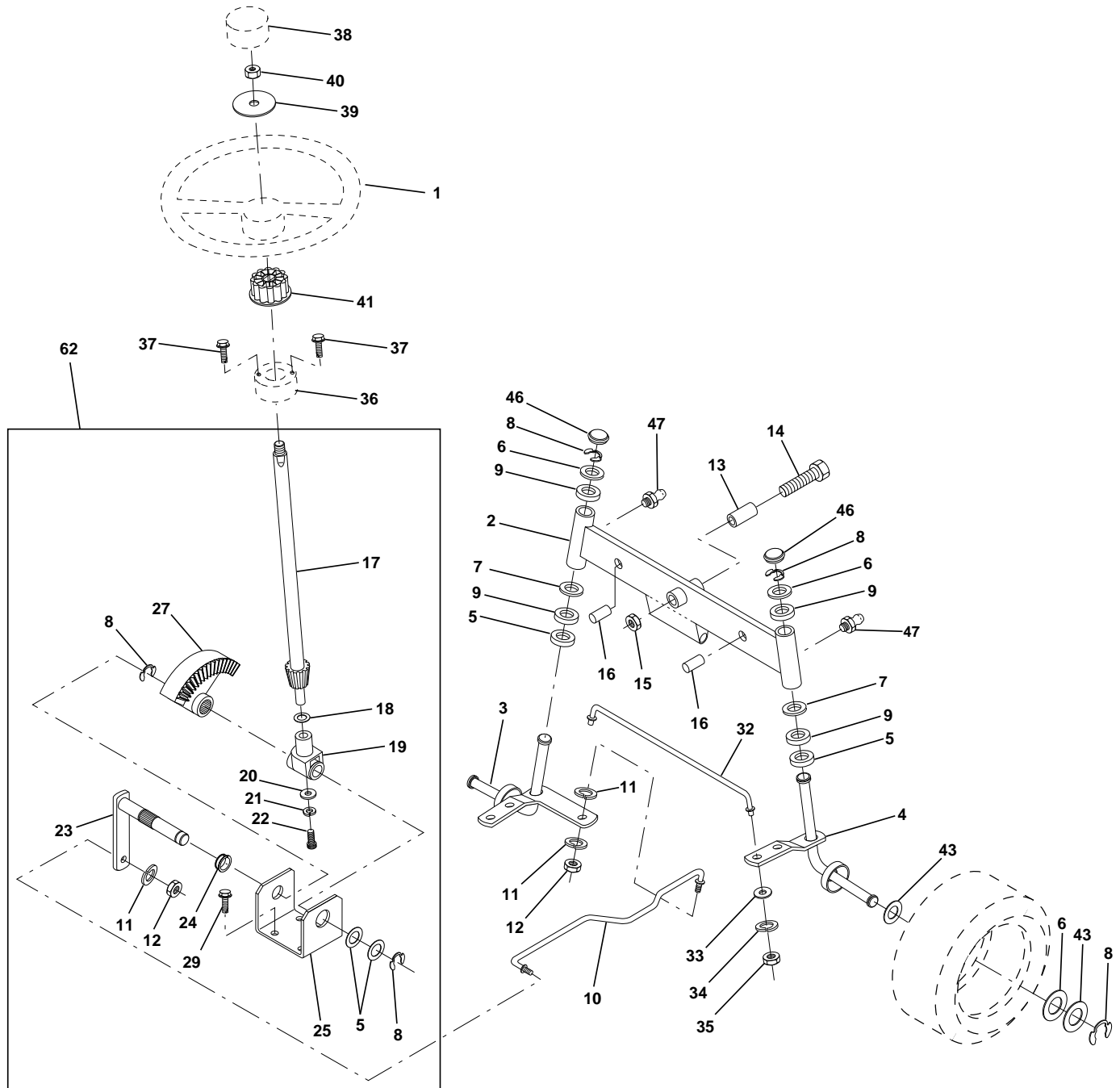
**NOTE** All component dimensions given in U. S. inches.  
1 inch = 25.4 mm



# REPAIR PARTS

TRACTOR - MODEL NO. YTH190 (954001972A), PRODUCT NO. 954 00 19-72

## STEERING ASSEMBLY



## REPAIR PARTS

TRACTOR - MODEL NO. YTH190 (954001972A), PRODUCT NO. 954 00 19-72

### STEERING ASSEMBLY

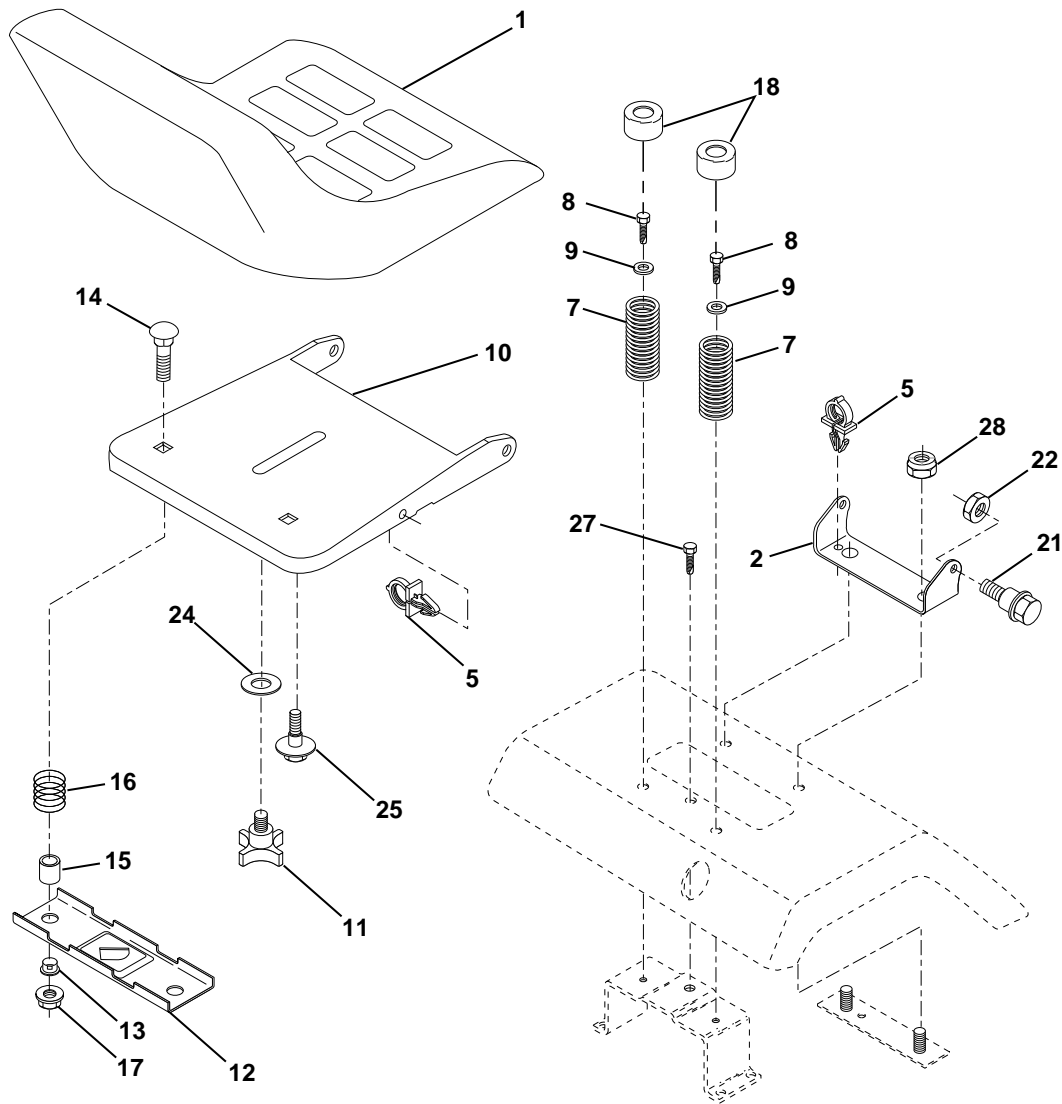
KEY PART NO.	PART NO.	DESCRIPTION
1	532124415	Wheel Steering Auto Grey
2	532142033	Axle Asm Fr LT W/gzks 38/42
3	532135227	Spindle Asm LH
4	532135228	Spindle Asm RH
5	532124931	Bearing Race Thrust Harden
6	532121748	Washer 25/32 X 1-5/8 X 16 Ga
7	819272016	Washer 27/32 X 1-1/4 X 16 Ga
8	812000029	Ring Klip #t5304-75
9	532124937	Bearing Col Strg Blk
10	532130468	Link Drag Sol Ball Jt 20 064
11	810040600	Washer Lock Hvy Hlcl Spr 3/8
12	873610600	Nut Fin Hex 3/8-24 Unf
13	532110438	Spacer Bearing Axle Front
14	874011056	Bolt Hex 5/8-11 Unc X 3-1/2
15	873901000	Nut Lock Flange 5/8-11 Unc
16	532132624	Pin Axle 5/8 X 1 55/1 54 Lg
17	532128762	Shaft Asm Strg 20 31 x 3/4 YP YT
18	532057079	Washer Thrust 515x 750x 033
19	532124035	Support Shaft
20	532126684	Washer Shim 1/4 X 5/8 X 062
21	810040400	Washer Lock Hvy Helical 1/4
22	871070410	Screw Hex Socket 1/4-20 X 5/8
23	532127501	Shaft Asm Pittman
24	532109816	Nyliner Snap In
25	532124036	Bracket Steering
27	532136874	Gear Sector
29	817490612	Screw Thdrol 3/8-16x3/4 Ty-tt
32	532130467	Rod Tie Wire Form 19 75 Elec
33	819111216	Washer 11/32 x 3/4 x 16 Ga.
34	810040500	Washer, Lock Hvy Hlcl Spr 5/16
35	873810500	Locknut 5/16-24 Unf
36	532145207	Bushing Strg
37	817541008	Screw Slftp #10-24 X 1/2 TT-B
38	532124416	Insert Cap Strg Wh Aut Hus Gry
39	532100712	Washer 53 X 2 25 X 160 Zinc
40	873940800	Nut Hex Jam Toplock 1/2-20 Unf
41	532100711	Adapter Wheel Strg 758/ 753id
43	532121749	Washer 25/32 X 1 1/4 X 16 Ga
46	532121232	Cap Spindle Fr Top Blk
47	532124836	Fitting Grease
62	532149683	Steering Assembly

**NOTE:** All component dimensions given in U.S. inches  
1 inch = 25.4 mm

## REPAIR PARTS

TRACTOR - MODEL NO. YTH190 (954001972A), PRODUCT NO. 954 00 19-72

### SEAT ASSEMBLY



KEY NO.	PART NO.	DESCRIPTION
1	532124186	Seat V-550 Gry/blk Std
2	532140551	Bracket Pivot Seat
5	532145006	Clip, Push-In Hinged
7	532124181	Spring Seat Cprsn 2 250 Blk Zi
8	817490508	Screw Hwsh Thdrol 5/16-18 x 1/2
9	819131614	Washer 13/32 X 1 X 14 Ga
10	532140552	Pan Seat
11	532120068	Knob Seat 1/2-13unc Blk
12	532121246	Bracket Mounting Switch
13	532121248	Bushing Snap Blk Nyl 50 Id
14	872050411	Bolt Rdhd Sht Nk 1/4-20x1-3/8
15	532121249	Spacer Split 28x 88 Yel Zinc

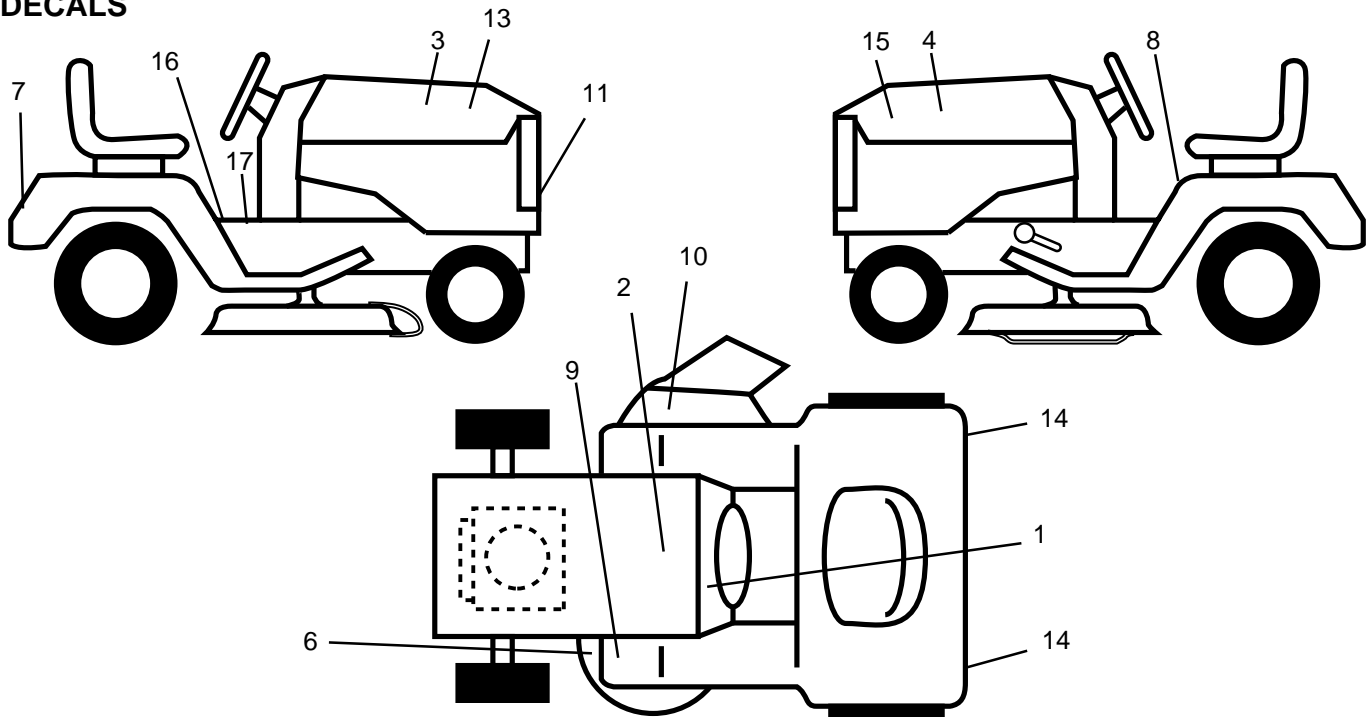
KEY NO.	PART NO.	DESCRIPTION
16	532123740	Spring Cprsn 1 310 Blk Pnt
17	532123976	Nut Lock 1/4 Lge Flg Gr 5 Zinc
18	532124238	Cap Spring Seat
21	532139888	Bolt Shoulder 5/16-18 Unc Blkz
22	873680500	Nut Crown Lock 5/16-18
24	819171912	Washer 17/32 X 1-3/16 X 12 Ga
25	532127018	Bolt Shoulder 5/16-18 X 62
27	817490608	Screw Thdrol 3/8-36 x 1/2
28	873680600	Nut Crownlock 3/8-16 UNC

**NOTE:** All component dimensions given in U.S. inches  
1 inch = 25.4 mm

## REPAIR PARTS

TRACTOR - MODEL NO. YTH190 (954001972A), PRODUCT NO. 954 00 19-72

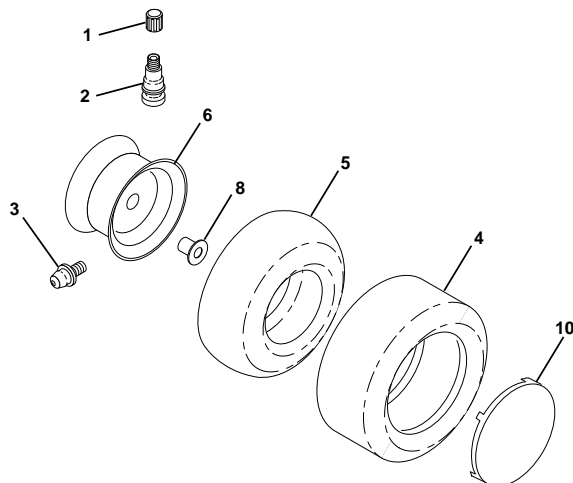
### DECALS



KEY NO.	PART NO.	DESCRIPTION
1	532138956	Decal Instruction Dash Eng/fr
2	532145005	Decal Bat DAN/POI P/L Symbols
3	532149932	Decal Hood RH Husq
4	532149933	Decal Hood LH Husq
6	532136832	Decal V-Belt Sch
7	532131582	Decal Fender Husqvarna
8	532133795	Decal Caution Fender Eng/fr
9	532101892	Decal Clutch/brake Eng/fr
10	532137259	Decal Warning MULT-LANGUAGE
11	532125989	Decal Grille Husqvarna
13	532140728	Decal Hood RH Husqvarna
14	532106202	Reflector Tail Light Red/amber
15	532140729	Decal Hood RH Husqvarna
16	532142337	Decal Sdl Cold Start Hyd Eng/Fr

KEY NO.	PART NO.	DESCRIPTION
17	532140837	Decal Brake Parking Saddle
--	532138311	Decal Lift Handle (Lift Handle)
--	532142341	Decal Drawbar Cntrl Mvt Hyd LT
--	532145246	Pad Footrest
--	532149948	Manual Owners, English
--	532149949	Manual Owners, French
--	532145247	Attache du repose-pied
Available accessories not included with tractor:		
-	LBD48	42" Snow blade
-	LC05	33 lb. Weights (pairs)
-	LSB42	40" Snow Thrower
-	C42	42" Bagger
-	LC06	Tire Chains
-	MK420	Mulch Kit

### WHEELS & TIRES



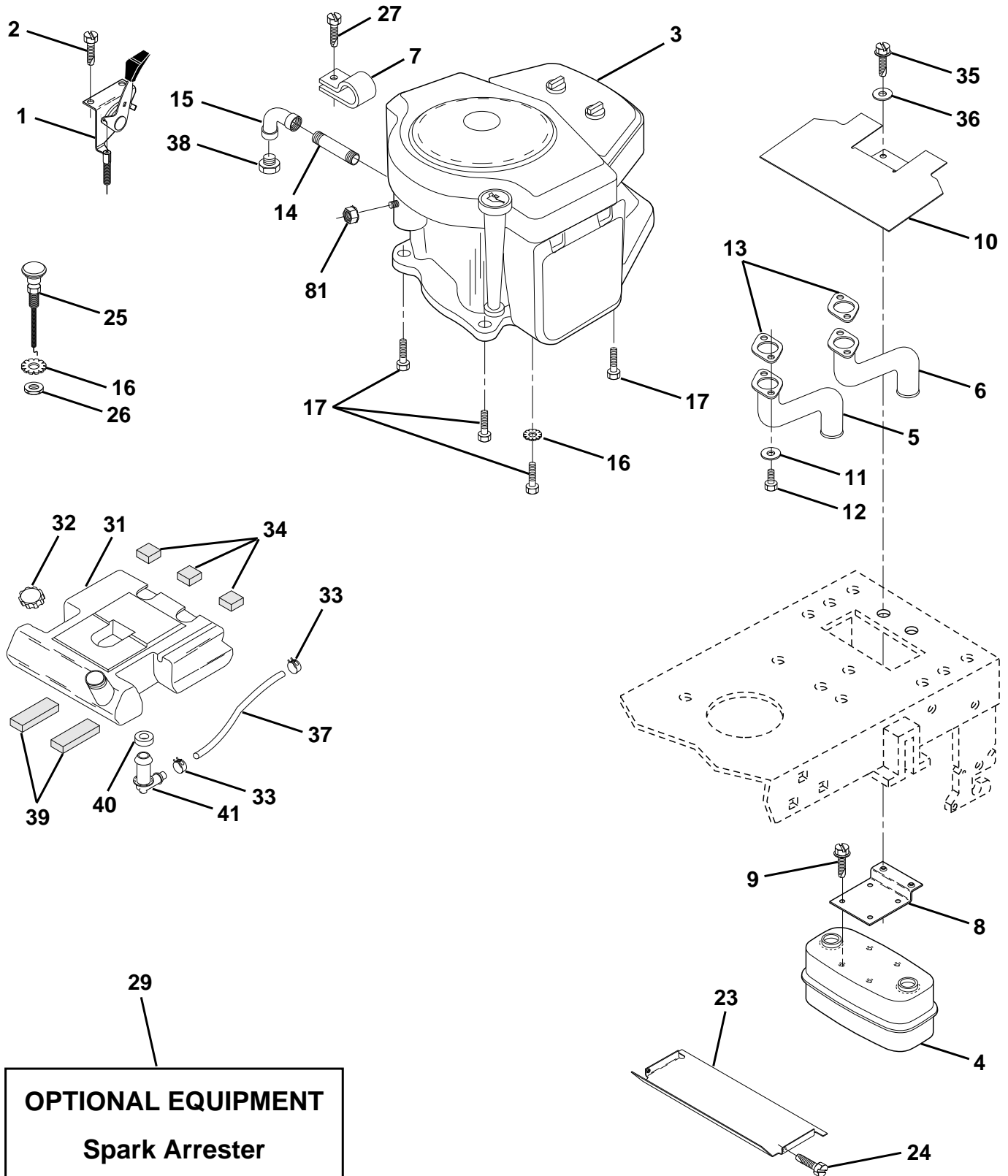
KEY NO.	PART NO.	DESCRIPTION
1	532059192	Cap Valve Tire
2	532065139	Stem Valve
3	532124957	Fitting Grease (Front Wheel Only)
4	532106222	Tire F Ts 15 X 6 0 - 6 Service
	532122082	Tire R Ts 20 X 10 - 8 Service
5	532059904	Tube Front (Service Item Only)
	532124926	Tube Rear (Service Item Only)
6	532141447	Rim Asm 8" rear White Service
	532141446	Rim Asm 6" front White Service
8	532124959	Bearing Flange (Front Wheel Only)
10	532124577	Cover Wheel 6" white
	532124578	Cover Wheel 8" white
--	532144334	Sealant, Tire (10 oz. Tube)

**NOTE:** All component dimensions given in U.S. inches  
1 inch = 25.4 mm

# REPAIR PARTS

TRACTOR - MODEL NO. YTH190 (954001972A), PRODUCT NO. 954 00 19-72

## ENGINE



**OPTIONAL EQUIPMENT**  
**Spark Arrester**

**REPAIR PARTS**

**TRACTOR - MODEL NO. YTH190 (954001972A), PRODUCT NO. 954 00 19-72  
ENGINE**

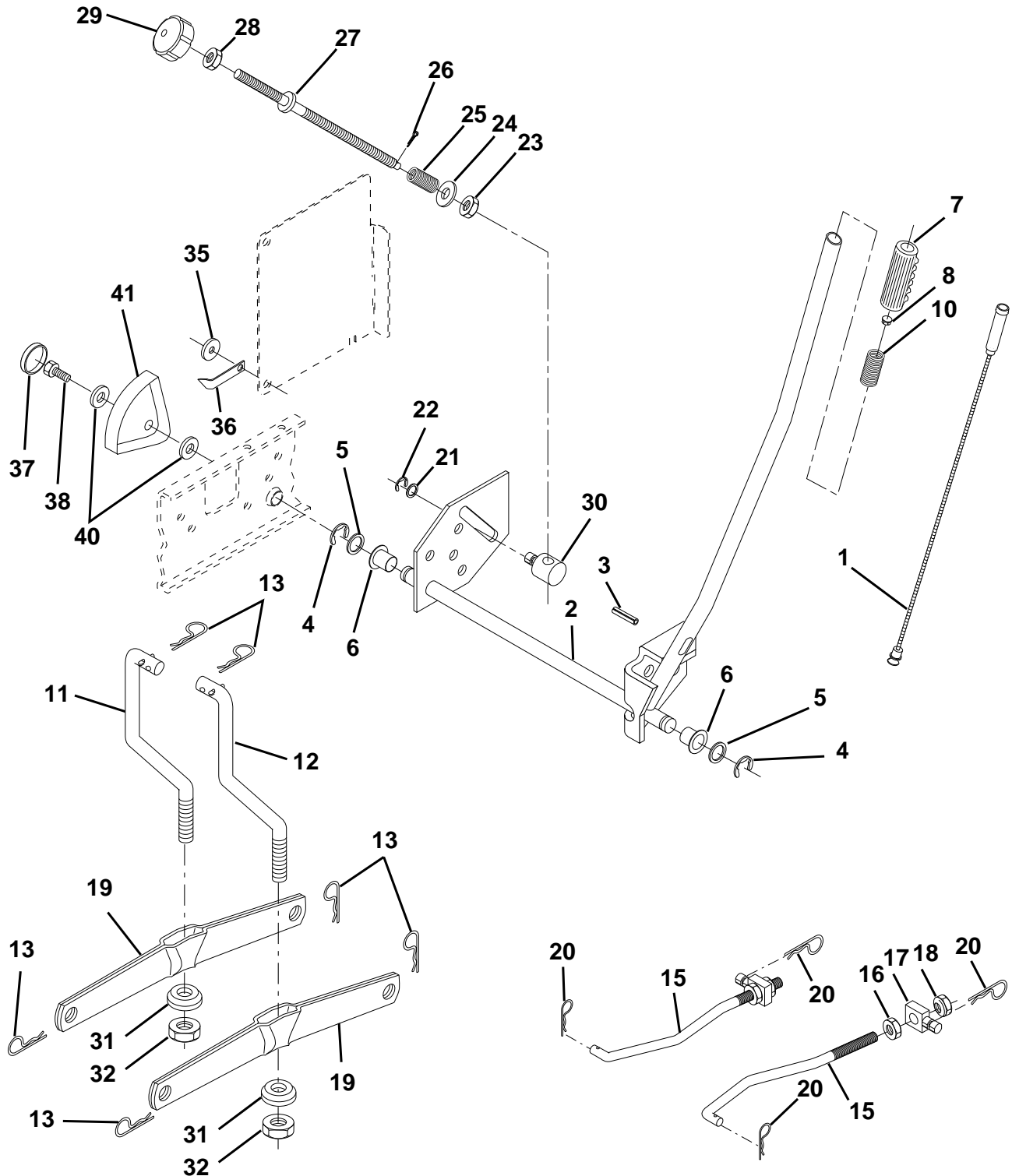
KEY PART NO.	PART NO.	DESCRIPTION
1	532132748	Control RH Blk Flg
2	817720410	Screw Hex Thd Cut 1/4-20x5/8 T
3	-----	Engine Briggs 42A777
4	532137978	Muffler VGT YT Dual Inlet
5	532144069	Exhaust Asm LH
6	532144068	Exhaust Asm RH
7	532138129	Clamp Tube Double Engine
8	532122439	Bracket Muffler Mounting
9	817190408	Screw Hex Wsh Thd Cut 1/4-20
10	532145552	Shield Heat LT
11	810040400	Washer, Lock Hvy HLCL Spr. 1/4
12	874780412	Bolt Fin Hex 1/4-20 x .75
13	-----	Muffler Gasket
14	813280336	Nipple Pipe 3/8 Npt X 4-1/2"
15	813200300	Elbow Std 90 Degree 3/8-18 Npt
16	811050600	Washer Lock Ext Tooth 3/8
17	817490624	Screw thdrol 3/8-16 x 1-1/2 TT
23	532128953	Shield Heat Browning LT/YT
24	817021008	Screw Tap Hex #10-24unc X 1/2
25	532138672	Choke Control
26	873610600	Nut, Fin Hex 3/8-24 Unf
27	817541008	Screw Slftp #10-24 x 1/2 Tt-B
29	532137180	Kit Spark Arrestor (Flat Scrn)
31	532141070	Tank Fuel 3 50 Rear
32	532140527	Cap Asm Fuel
33	532123487	Clamp Hose Blk
34	532106082	Pad, Spacer
35	817490512	Screw Thdrol 5/16-18 x 3/4
36	819132012	Washer 13/32 x 1-1/4 x 12 Ga.
37	532008543	Line Fuel 54"
38	-----	Plug Oil Drain (Order From Engine Manufacturer)
39	532109227	Pad, Idler
40	532124952	Bushing
41	532139277	Stem Tank Fuel
81	873510400	Nut Keps Hex 1/4-20 UNC

**NOTE:** All component dimensions given in U.S. inches  
1 inch = 25.4 mm

# REPAIR PARTS

TRACTOR - MODEL NO. YTH190 (954001972A), PRODUCT NO. 954 00 19-72

## MOWER LIFT ASSEMBLY



## REPAIR PARTS

TRACTOR - MODEL NO. YTH190 (954001972A), PRODUCT NO. 954 00 19-72  
MOWER LIFT ASSEMBLY

KEY NO.	PART NO.	DESCRIPTION
1	532136971	Wire Asm Inner W/plunger 20 56
2	532136968	Shaft Asm Lift RH w/Inf
3	532138284	Pin Groove 1 500 Zinc
4	812000002	E Ring #5133-62
5	819211621	Washer 21/32 X 1 X 21 Ga
6	532120183	Bearing Nylon Blk 629 Id
7	532125631	Grip Handle Fluted Blk
8	532124526	Button Plunger Black
10	532122512	Spring Cprsn 3 750 Oiled
11	532139865	Link Lift LH
12	532139866	Link Lift RH
13	532124670	Retainer Spring
15	532127218	Link Front
16	873350800	Nut Jam Hex 1/2-13 Unc
17	532130171	Trunnion Blk Zinc
18	873800800	Nut Lock W/wsh 1/2-13unc
19	532139868	Arm Suspension Rear
20	532124660	Retainer Spring
21	819151216	Washer 15/32 X 3/4 X 16 Ga
22	812000037	Ring Klip #t5304-37
23	532110807	Nut Special
24	819131016	Washer 13/32 X 5/8 X 16 Ga
25	532137150	Spring Compression Inf. Hgt.
26	876020308	Pin Cotter 3/32 X 1/2
27	532137167	Rod Adj Lift Zinc 9 00 Wrk Lg
28	873350600	Nut Hex Jam 3/8-16 Unc
29	532138057	Knob Inf 3/8-16 Unc Blk W/sym
30	532110810	Trunnion Dp Stop Dbl Thds PLT
31	532140302	Bearing Pvt Lift Spherical
32	873540600	Nut Crownlock 3/8-24
35	532120529	Washer Nylon .44 x .75 x .032
36	532138346	Pointer Height Indicator
37	532123935	Plug Hole Blk 1.485/1.515
38	817490512	Screw Thdrol 5/16-18 x 3/4 TYT
40	819112410	Washer 11/32 x 1-1/2 x 10 Ga.
41	532123934	Scale Ind. Height Blk

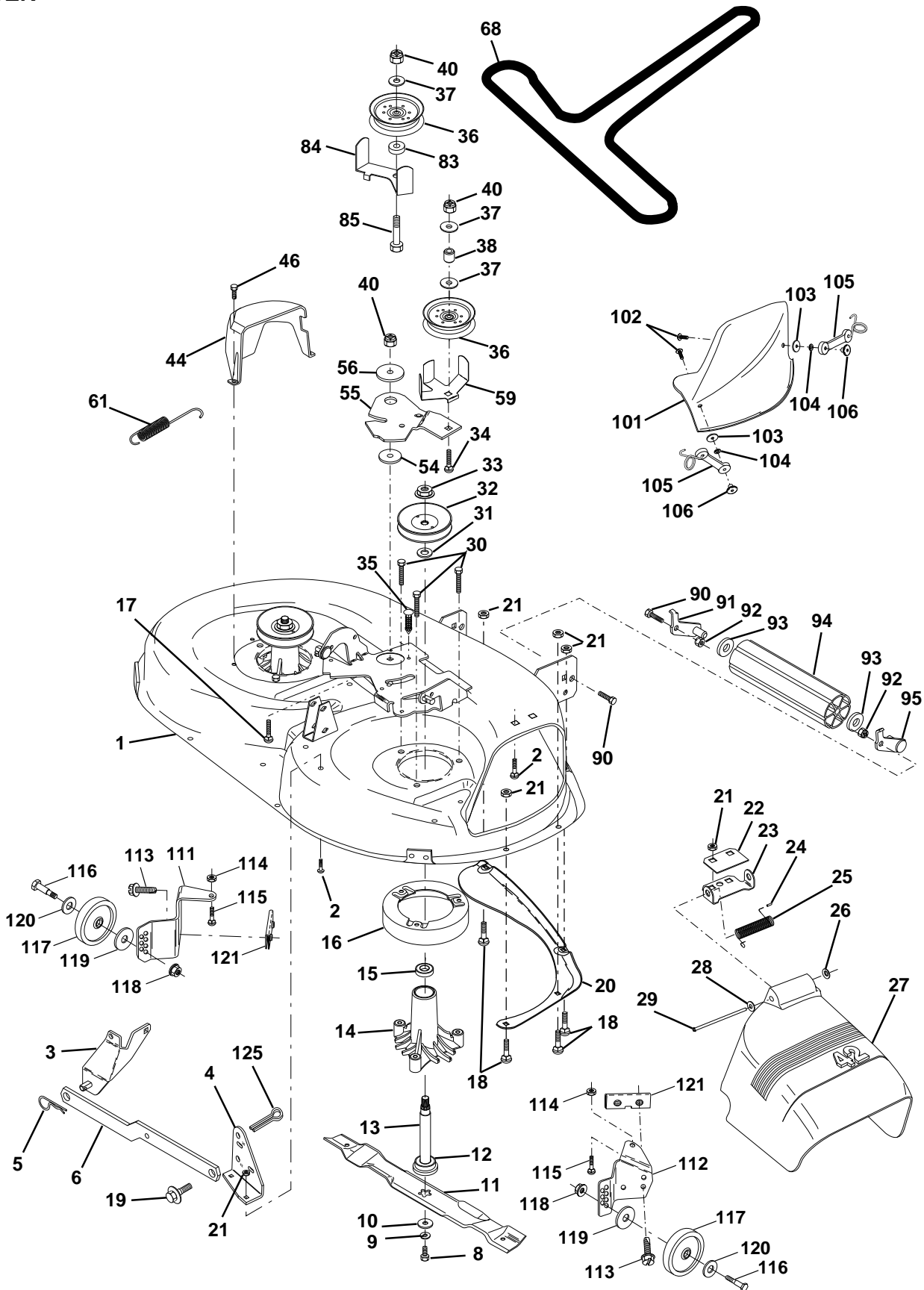
**NOTE:** All component dimensions given in U.S. inches  
1 inch = 25.4 mm



For Husqvarna Parts Call 606-678-9623 or 606-561-4983

# REPAIR PARTS

TRACTOR - MODEL NO. YTH190 (954001972A), PRODUCT NO. 954 00 19-72  
MOWER



## REPAIR PARTS

TRACTOR - MODEL NO. YTH190 (954001972A), PRODUCT NO. 954 00 19-72

### MOWER

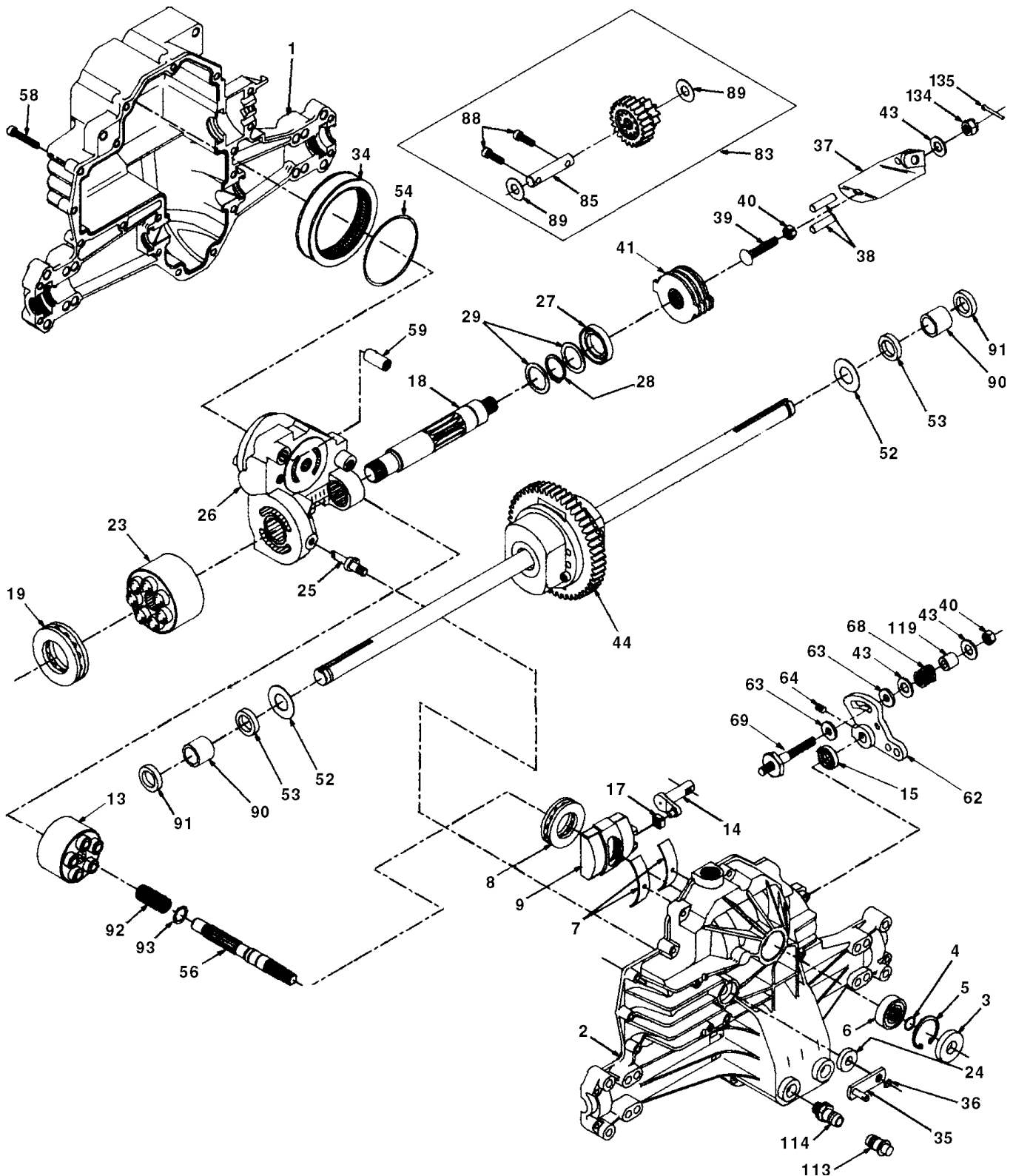
KEY PART NO. NO.	DESCRIPTION	KEY PART NO. NO.	DESCRIPTION
1	532144393 Deck Asm MWR 42" 94 T-Path	56	532122052 Spacer Retainer Pm Mower
2	872140506 Bolt Rdhd Sqnk 5/16-18unc X3/4	59	532141043 Guard, Belt
3	532138017 Bracket Asm Fr Sway Bar 38/42	61	532131950 Spring Ext. Elect
4	532138440 Bracket Asm Deck 42"sway Bar	68	532144200 V-Belt Mower
5	532124670 Retainer Spring	83	532120958 Washer Sintered
6	532130832 Arm Suspension Rear	84	532144394 Keeper Belt Idler Fixed
7	873800500 Locknut-hex W/ins 5/16-18unc P	85	872140618 Bolt RDHD SQNK 3/8-16 x 2-1/4 Gr. 5
8	532850857 Bolt 3/8-24x1 25 Gr8 Patched	90	874760616 Bolt Fin Hex 3/8-16unc X 1
9	810030600 Washer Lock Hvy 3/8 Unplated	91	532132274 Bracket Asm Noseroller LH
10	532140296 Washer Hard Blade Mower Vented	92	873680600 Nut Crownlock 3/8-16 Unc
11	532134149 Blade Mower Mulching 42"	93	819171416 Washer 17/32 X 7/8 X 16 Ga
12	532129895 Bearing Ball #6204 (Mandrel)	94	532132264 Roller Nose 38 & 42
13	532137645 Shaft Asm W/lower Bearing	95	532132273 Bracket Asm Noseroller RH
14	532128774 Housing Mandrel Vented(machd)	101	532136420 Cover Mulching 42" Blk
15	532110485 Bearing Ball Mandrel	102	871161010 Screw
16	532140329 Stripper Mower Round	103	810071000 Washer Lock #10
17	872110618 Bolt Rdhd Sqnk 3/8-16 X 2-1/4	104	819061216 Washer #10
18	872140505 Bolt Carr 5/16-18 X 5/8	105	532130758 Latch Asm Bagger
19	532132827 Bolt Shoulder	106	532125004 Nut Weld .327/.304 #10-24
20	532136888 Baffle Vortex 42	111	532140353 Bracket Wheel Guage Lh 42" Deck
21	873680500 Nut Crownlock 5/16-18	112	532132262 Bracket Guage Wheel Rh 42" Deck
22	532134753 Stiffener Bracket 42"deck	113	817490512 Screw Thdrol 5/16-18 x 3/4 TYT
23	532131267 Bracket Deflector Mower 42"	114	873510500 Nut Keps 5/16 - 18 UNC
24	532105304 Cap Sleeve 80x 112 Blk Mower	115	872110504 Bolt Carriage 5/16 - Unc x 1/2
25	532123713 Spring Torsion Deflector 2 52	116	532124842 Bolt Shld "A" 2.41 "B" 1.66
26	532110452 Nut Push Phos & Oil	117	532105455 Wheel Guage blk. 4.93
27	532130968 Shield Deflector Mower 42" Blk	118	873930600 Nut Centerlock 3/8 - 16 UNC
28	819111016 Washer 11/32 X 5/8 X 16 Ga	119	819121414 Washer 3/8 x 7/8 x 14 Ga.
29	532131491 Rod Hinge 42"6 75 Wlg	120	819171512 Washer 17/32 x 15/16 x 12 Ga.
30	532138776 Screw Thdrol Hex Hd Zinc Mwr.	121	532143723 Bracket
31	532129963 Washer Spacer Mower Vented	125	876020816 Pin Cotter 1/4 x 1 Plated
32	532129861 Pulley Mandrel 42"	--	532145452 Deck Serv 42" Elec Vent (Standard Deck - Order Nose Roller, Gauge Wheel and Mulcher plate components separately Key Nos. 90-95, 101-106 and 111-121)
33	532137266 Nut 9/16top Lock Flng Cntr	--	532130794 Mandrel Assembly (Includes Key Numbers 8-10, 12-15, 31 and 33)
34	872110622 Bolt Rdhd 3/8-16uncx2-3/4 Gr5		
35	532133835 Fastner Christmas Tree		
36	532131494 Pulley Idler Flat 3 060		
37	819131316 Washer 13/32 X 13/16 X 16 Ga		
38	532132823 Spacer Spring Stop Idler		
40	873680600 Nut Crownlock 3/8-16 UNC		
44	532140088 Guard Mandrel LH Black		
46	532137729 Screw Thdrol 1/4-20x5/8		
54	532133943 Washer Hardened		
55	532140084 Arm Idler 42"mower LT/YT		

**NOTE:** All component dimensions given in U.S. inches  
1 inch = 25.4 mm

# REPAIR PARTS

TRACTOR - MODEL NO. YTH190 (954001972A), PRODUCT NO. 954 00 19-72

HYDRO-GEAR TRANSAXLE - - MODEL NUMBER 310-0750



## REPAIR PARTS

TRACTOR - MODEL NO. YTH190 (954001972A), PRODUCT NO. 954 00 19-72

HYDRO-GEAR TRANSAXLE - - MODEL NUMBER 310-0750

KEY PART NO. NO.	DESCRIPTION	KEY PART NO. NO.	DESCRIPTION		
1	532142930	Housing, Lower	43	532142884	Washer 7/16 x 7/8 x .060
2	532142931	Assembly, Upper Housing	44	532142959	Differential Assembly
3	532142932	Seal, Lip	52	532142960	Washer 3/4 x 1.5 x .03
4	532142928	Ring, Wire Retaining	53	532142961	Seal .75 x 1.25 x .250
5	532142933	Ring, Retaining	54	532142962	O-Ring .103 x 2.987 ID
6	532142934	Bearing, Shaft Ball	56	532142963	Shaft, Input
7	532142935	Bearing, Cradle	58	532142964	Bolt 1/4-20 x 1.38
8	532142936	Bearing, Thrust 30 x 52 x 13	59	532142965	Pin .5 OD x .43 ID x .750
9	532142937	Swashplate, Variable	62	532142966	Arm, Control
13	532142938	Block, Cylinder Assembly	63	532142967	Puck, Dampener
14	532142939	Arm, Trunnion	64	532142920	Set Screw
15	532142940	Seal, Lip	68	532142969	Spring
17	532142941	Guide, Slot	69	532144610	Stud 5/16-24
18	532142942	Shaft, Motor	83	532142971	Jack Shaft Assembly
19	532142943	Bearing, Thrust 42 x 68 x 16	85	532142972	Jack Shaft
23	532142944	Block, Cylinder Assembly	88	532142973	Capscrew
24	532142945	Seal, Lip 10 x 25 x 7	89	532142974	Washer
25	532142946	Actuator, Bypass	90	532142975	Sleeve Bearing
26	532142947	Center Section Assembly Kit	91	532142976	Seal, Wiper
27	532142948	Seal, Lip 26 x 42 x 8	92	532142977	Spring, Block
28	532142949	Ring, Retaining	93	532142978	Washer, Block Thrust
29	532142950	Washer 26 x 35 x 1	113	532142917	Cap, Vent Assembly
34	532142951	Oil Filter Element	114	532142918	Fitting, O-Ring Assembly
35	532142952	Arm, Bypass	119	532142980	Spacer
36	532142953	Ring, Retaining	134	532144607	Nut, Castle 5/16-24
37	532142954	Arm, Actuating	135	532144608	Pin, Cotter
38	532142955	Pin, Actuating			
39	532142956	Bolt 5/16-24 x 1-3/4			
40	532142957	Locknut, Hex 5/16-24 UNJC			
41	532142958	Brake Rotor/Stator Kit			

**NOTE:** All component dimensions given in U.S. inches  
1 inch = 25.4 mm