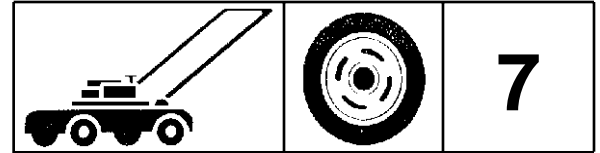
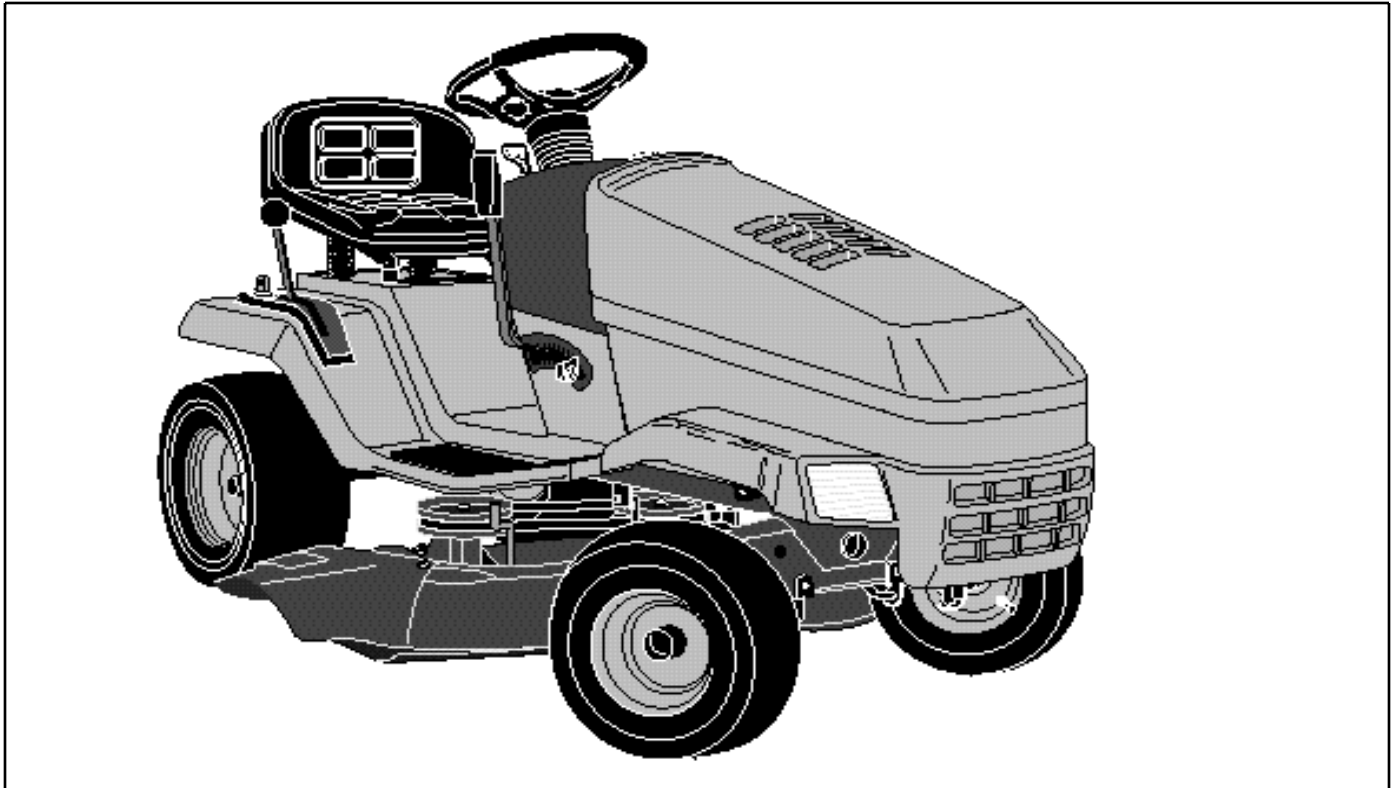


For Husqvarna Parts Call 606-678-9623 or 606-561-4983

 **Husqvarna**



LR 125

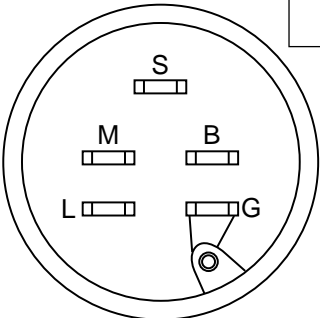
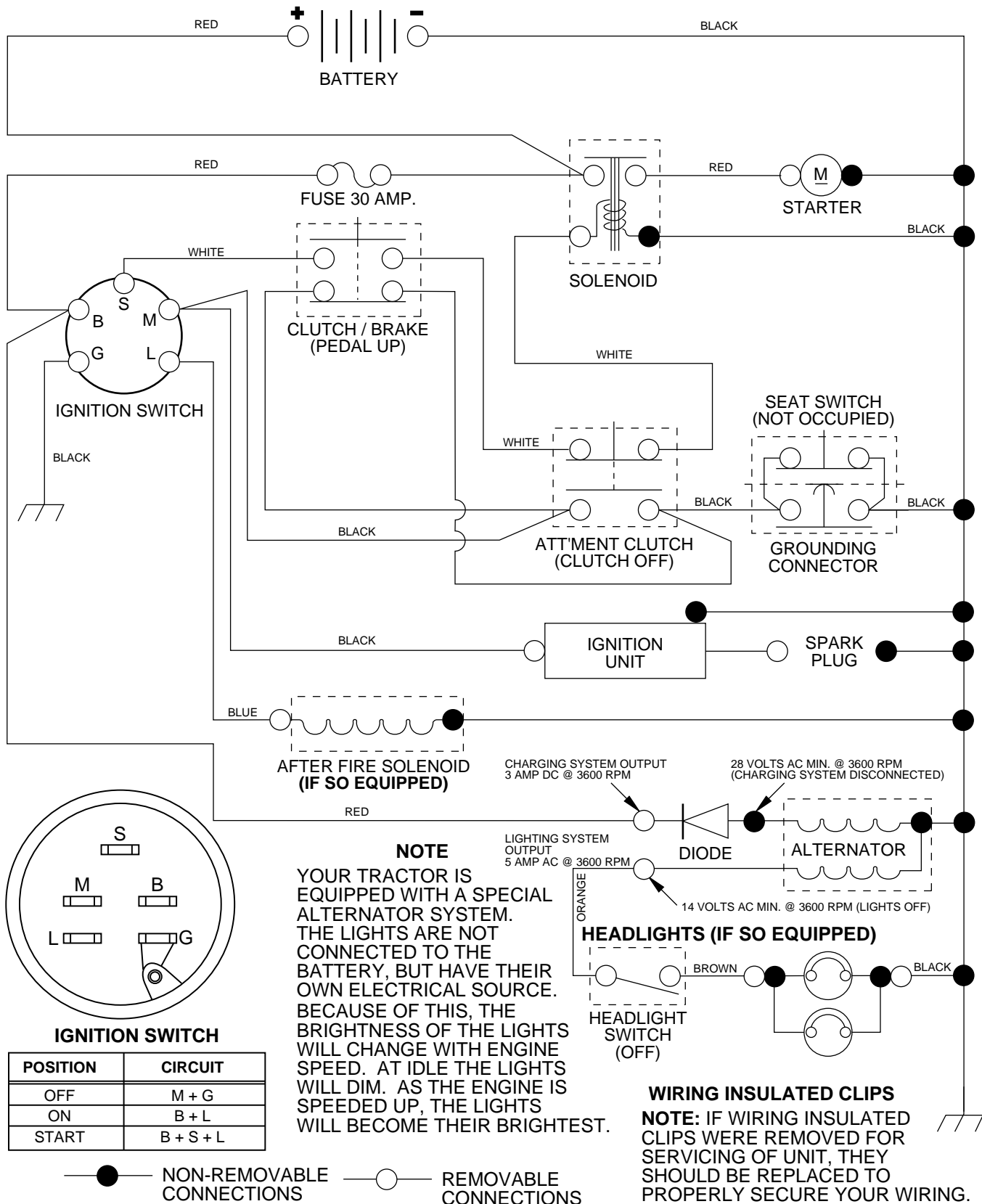


03.1995
PARTS LISTING

954001202C

TRACTOR - - MODEL NUMBER LR125 (954001202C)

SCHEMATIC



IGNITION SWITCH

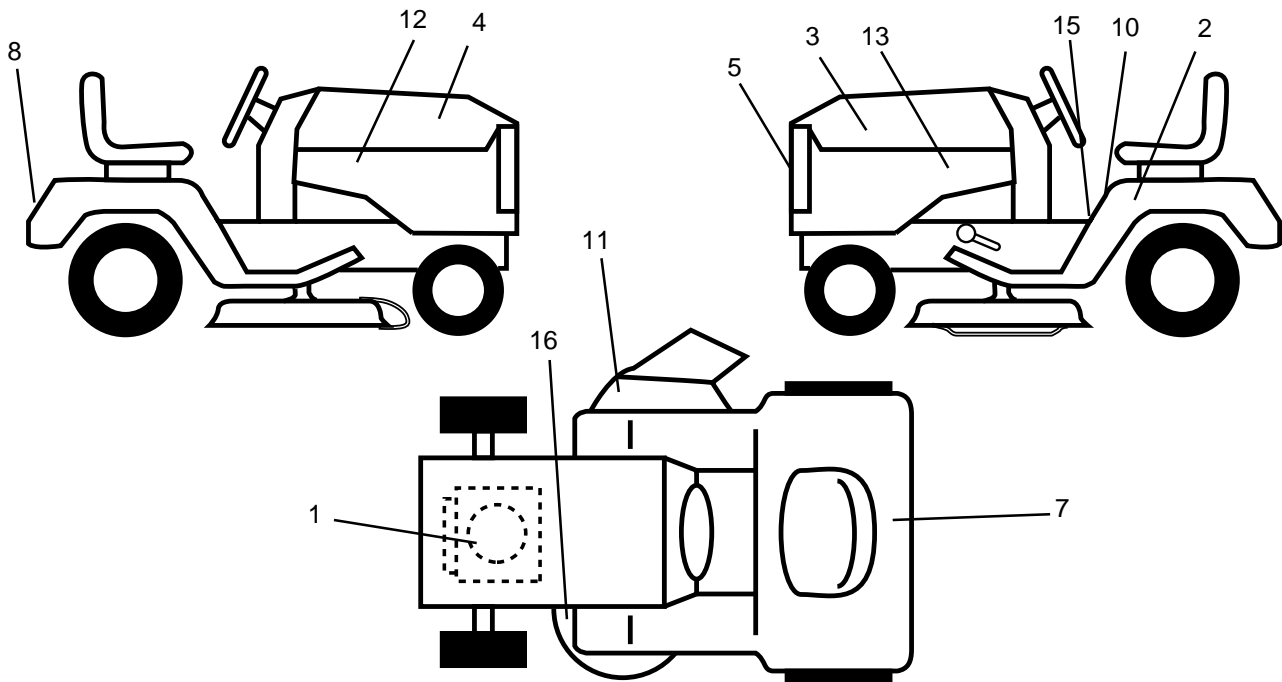
POSITION	CIRCUIT
OFF	M + G
ON	B + L
START	B + S + L

NOTE
 YOUR TRACTOR IS EQUIPPED WITH A SPECIAL ALTERNATOR SYSTEM. THE LIGHTS ARE NOT CONNECTED TO THE BATTERY, BUT HAVE THEIR OWN ELECTRICAL SOURCE. BECAUSE OF THIS, THE BRIGHTNESS OF THE LIGHTS WILL CHANGE WITH ENGINE SPEED. AT IDLE THE LIGHTS WILL DIM. AS THE ENGINE IS SPEEDED UP, THE LIGHTS WILL BECOME THEIR BRIGHTEST.

REPAIR PARTS

TRACTOR - - MODEL NUMBER LR125 (954001202C)

DECALS

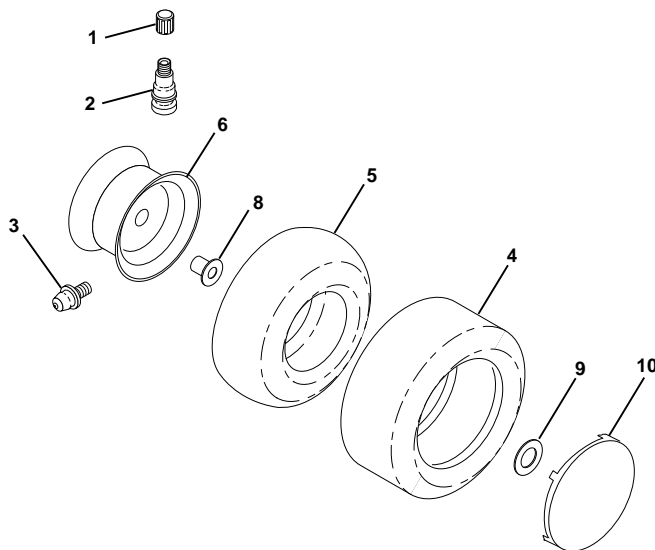


KEY NO.	PART NO.	DESCRIPTION
1	532140013	Decal, Engine, HP
2	532135073	Decal, Indicator
3	532140206	Decal, Hood, L.H.
4	532140205	Decal, Hood, R.H.
5	532140213	Decal, Logo, Grill
7	532145005	Decal, Caution Battery
8	532131582	Decal, Logo, Fender
10	532133795	Decal, Fender, Caution
11	532137259	Decal, Warning, Multi-Language

KEY NO.	PART NO.	DESCRIPTION
12	532140867	Decal, Hood, Insert, R.H.
13	532140866	Decal, Hood, Insert, L.H.
15	532138269	Decal, Instruction, Operating
16	532136832	Decal, V-Belt Schematic
--	532150015	Manual, English
--	532150016	Manual, French

Available accessories not included with tractor:
 -- CR38 Grass Catcher
 -- MK380 Mulch Kit

WHEELS & TIRES



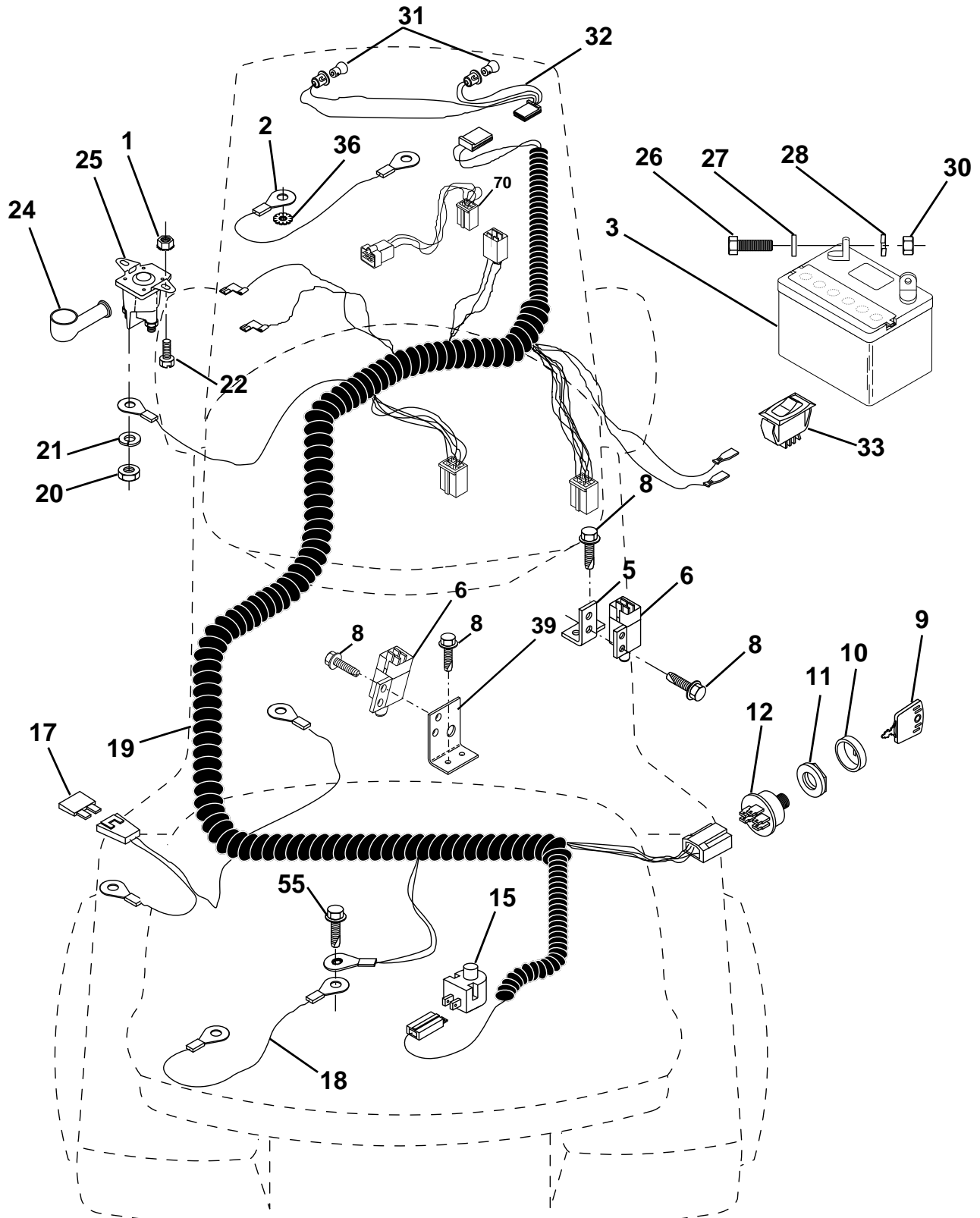
KEY NO.	PART NO.	DESCRIPTION
1	532059192	Cap, Valve Stem
2	532065139	Stem, Valve
3	532124957	Fitting, Grease (Front Wheels Only)
4	532137422	Tire, Front
	532132703	Tire, Rear
5	532059904	Tube, Front Tire
	532008134	Tube, Rear Tire
		(Optional - Service Item Only)
6	532140298	Rim, Front
	532140453	Rim, Rear
8	532124959	Bearing Flange
9	532121748	Washer 25/32 x 1-5/8 x 16 Gauge
10	532124577	Cover, Wheel, Front, 6"
	532124578	Cover, Wheel, Rear, 8"
--	532144334	Sealant, Tire (10 oz. Tube)

NOTE: All component dimensions given in U.S. inches
 1 inch = 25.4 mm

REPAIR PARTS

TRACTOR -- MODEL NUMBER LR125 (954001202C)

ELECTRICAL



REPAIR PARTS

TRACTOR - - MODEL NUMBER LR125 (954001202C)

ELECTRICAL

KEY NO.	PART NO.	DESCRIPTION
1	873640400	Nut, Keps Blk Hex 1/4-20
2	532108423	Assembly, Cable
3	532144924	Battery
5	532108236	Bracket, Switch
6	532109553	Switch, Interlock, 4 Terminal
8	817021008	Screw, Hex Head, Self-Tapping #10-24 x 1/2
9	532140401	Key, Molded
10	532141226	Cover, Ignition Key
11	532140400	Nut, Ignition
12	532144921	Switch, Ignition
15	532121305	Switch, Plunger
17	532108824	Fuse
18	532128353	Assembly, Cable
19	532146064	Harness, Ignition
20	873350400	Nut, Hex, Jam 1/4-20
21	810090400	Washer, Lock 1/4
22	871110408	Bolt, Hex, Fin. 1/4-20 UNC x 1/2 Grade 5
24	532131563	Cover, Terminal
25	532145673	Solenoid
26	874760412	Bolt, Hex Head 1/4-20 UNC x 3/4
27	819091016	Washer 9/32 x 5/8 x 16 Gauge
28	810040400	Washer, Lock 1/4
30	873220400	Nut, Hex, Fin. 1/4-20 UNC
31	532004152	Bulb, Light
32	532142881	Harness, Headlight
33	532110712	Switch, Light
36	811150400	Washer, Lock, Internal Tooth 1/4
39	532141735	Bracket, Switch Clutch
55	817490508	Screw Thdrol 5/16-18 x 1/2
70	532140426	Harness, Engine

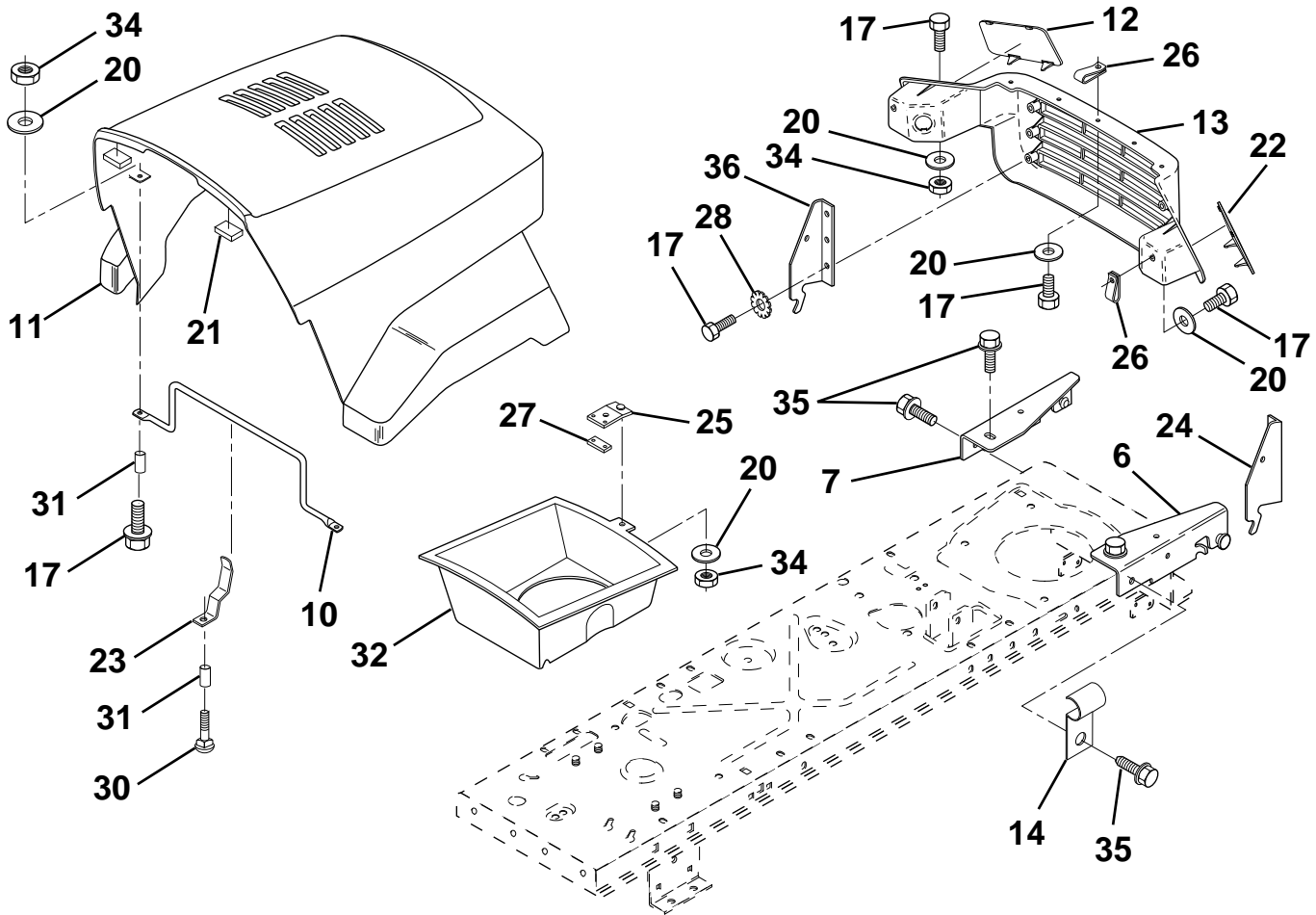
NOTE: All component dimensions given in U.S. inches
1 inch = 25.4 mm

HARDWARE SHOWN LARGER FOR EASIER IDENTIFICATION

REPAIR PARTS

TRACTOR - - MODEL NUMBER LR125 (954001202C)

HOOD



KEY NO.	PART NO.	DESCRIPTION
3	532128445	Bracket Pivot Hood LH
6	532140051	Bracket Asm. Pivot Hood RH
7	532140050	Bracket Asm. Pivot Hood LH
10	532130850	Brace Hood
11	532140142	Hood
12	532130986	Lens LH
13	532130984	Grille
14	532124996	Clip Line Fuel
17	874780410	Bolt Fin Hex 1/4-20 x 5/8
20	819091016	Washer Flat 1/4
21	532126938	Bumper Hood
22	532130985	Lens RH
23	532139969	Latch Hood

KEY NO.	PART NO.	DESCRIPTION
24	532142873	Bracket Pivot Hood RH
25	532138740	Clip, Duct Air
26	532052921	Clip, Tinnerman
27	532131028	Clip, Tinnerman
28	811050400	Washer Lock Ext Tooth
30	872050411	Bolt Rdhd. Sht. Nk 1/4-20 x 1-3/8
31	532147031	Spacer
32	532123840	Duct Air Hood
33	874780424	Bolt Hex Fin 1/4-20 x 1-1/2
34	873680400	Nut Crownlock 1/4-20
35	817490512	Screw Thdrol 5/16-18 x 3/4

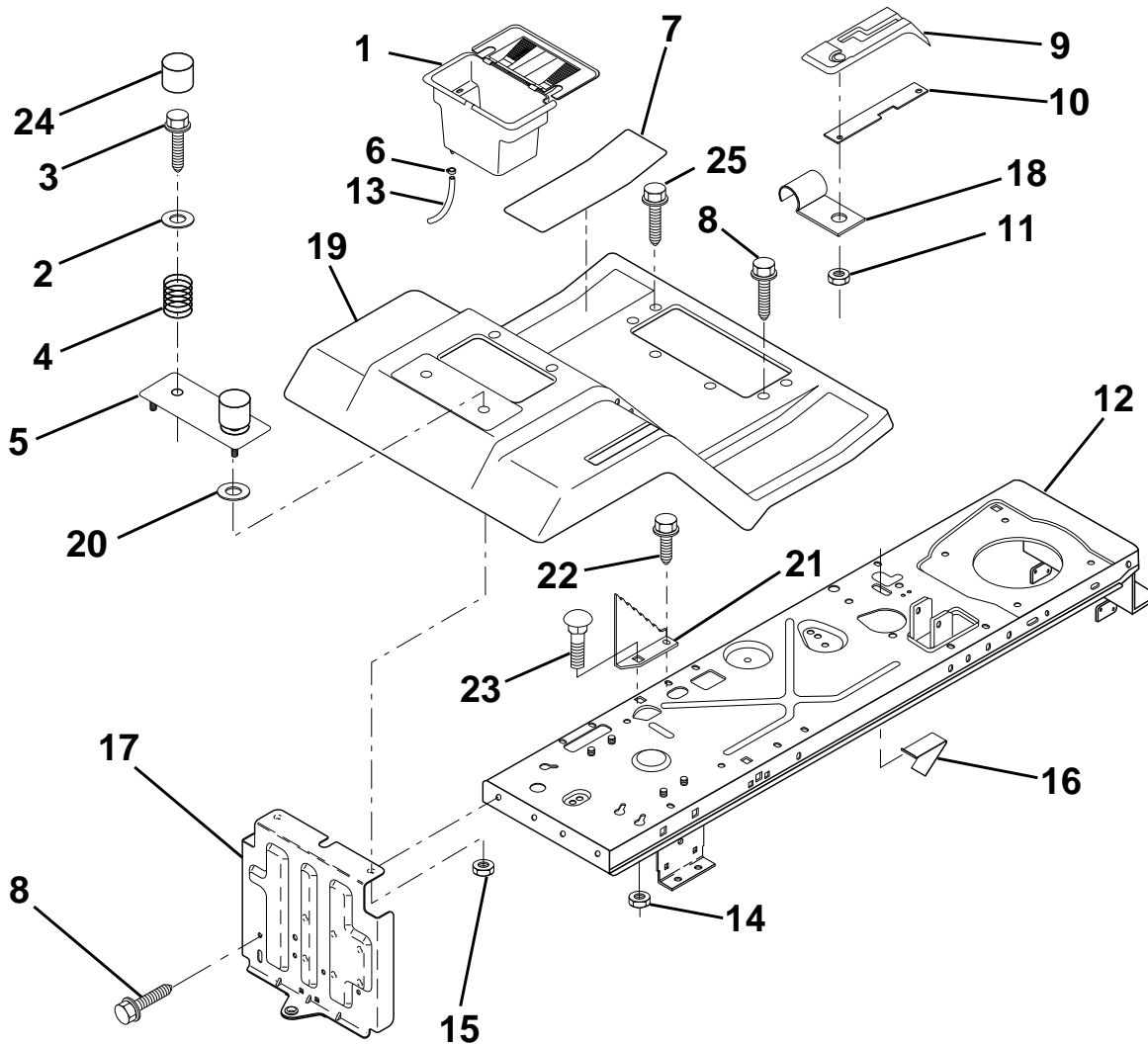
NOTE: All component dimensions given in U.S. inches
1 inch = 25.4 mm

HARDWARE SHOWN LARGER FOR EASIER IDENTIFICATION

REPAIR PARTS

TRACTOR - - MODEL NUMBER LR125 (954001202C)

FENDER/CHASSIS



KEY NO.	PART NO.	DESCRIPTION
---------	----------	-------------

1	532144940	Case Asm. Battery
2	819132012	Washer 13/32 x 1-1/4 x 12 Ga.
3	817490612	Screw Thdrol. 3/8-16 x 3/4
4	532124181	Spring seat
5	532125142	Plate Asm. Pnt Battery Fender
6	532109596	Clamp Hose Olive
7	532126700	Pad Footrest Rubber Deluxe
8	817490512	Screw Thdrol. 5/16-18 x 3/4
9	532126995	Console Shf. 6sp W/Ign.
10	532139783	Plate Lock Shift
11	532124346	Nut Self Thd. Wsh-Hd 1/4
12	532145190	Chassis Asm. Weldment
13	532109238	Tube Plastic
14	873680500	Nut Crownlock 5/16-18

KEY NO.	PART NO.	DESCRIPTION
---------	----------	-------------

15	873640400	Nut Keps Blk Hex 1/4-20 UNC
16	532141736	Switch Activator
17	532140782	Drawbar Asm.
18	532126470	Clip Insulated
19	532141366	Fend/Foot Asm. Pnt Shf. Fnd.
20	819091413	Washer 9/32 x 7/8 x 13 Ga.
21	532140297	Bracket Stop Depth
22	817490508	Screw Thdrol 5/16-18 x 1/2
23	872110506	Bolt Rdhdsqkn. 5/16-18 x 3/4
24	532124238	Cap Spring Seat
25	817190516	Scr-Hex Wsh Rol 5/16-18 x 1

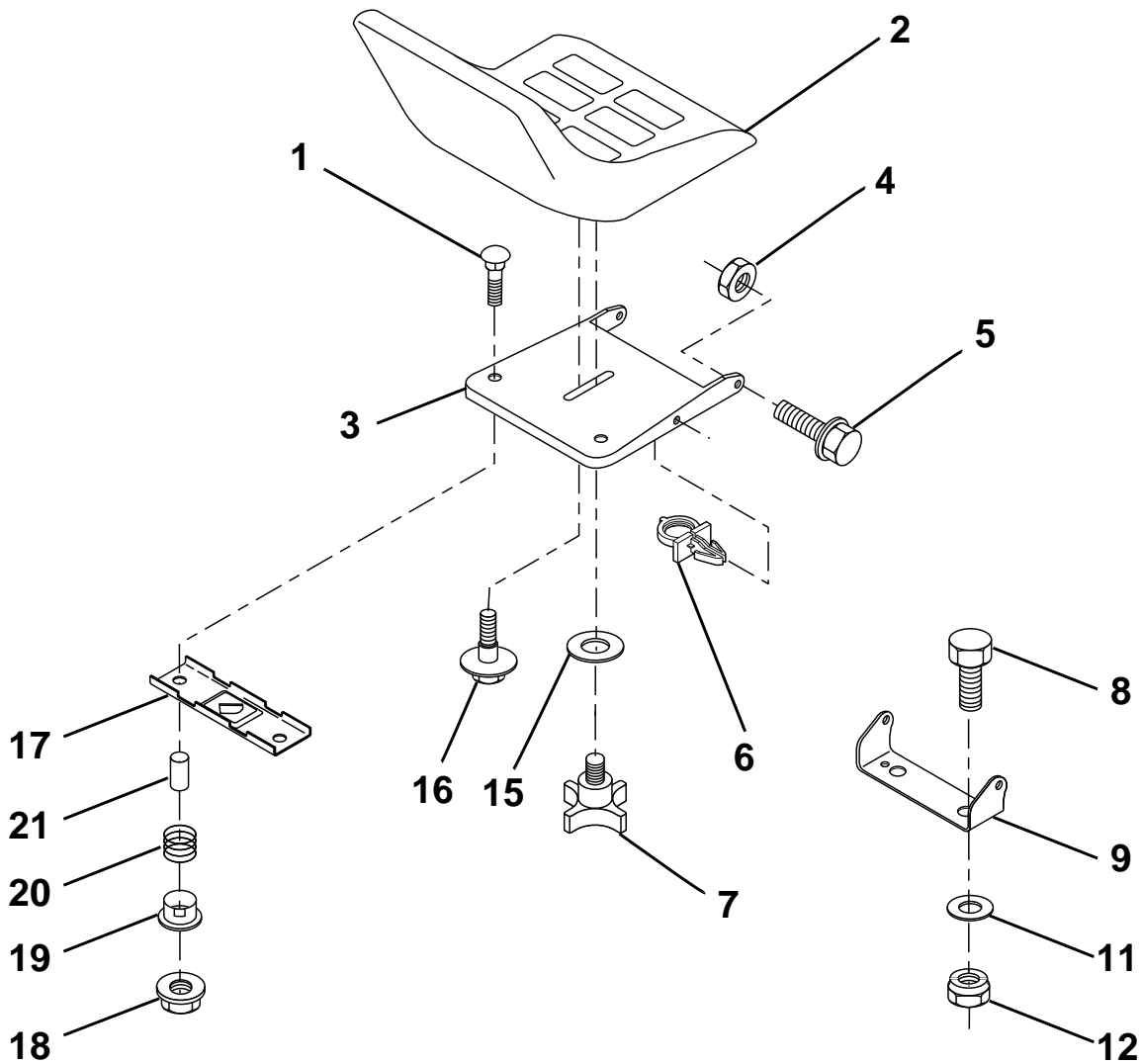
NOTE: All component dimensions given in U.S. inches
1 inch = 25.4 mm

HARDWARE SHOWN LARGER FOR EASIER IDENTIFICATION

REPAIR PARTS

TRACTOR -- MODEL NUMBER LR125 (954001202C)

SEAT



KEY NO.	PART NO.	DESCRIPTION
1	872050411	Bolt, Carriage 1/4-20 x 1-3/8
2	532130875	Seat
3	532140552	Pan, Seat
4	873800500	Nut Lock Hex W/Ins 5/16-18
5	532139888	Bolt, Shoulder 5/16-18 UNC
6	532145006	Clip, Push-In
7	532120068	Knob, Seat
8	874760616	Bolt, Hex, Fin. 3/8-16 UNC x 1
9	532140551	Bracket, Pivot, Seat
11	819133210	Washer 12/32 x 2 x 10 Gauge

KEY NO.	PART NO.	DESCRIPTION
12	873800600	Nut Lock Hex W/Wsh 3/8-16
15	819171912	Washer 17/32 x 1-3/16 x 12 Gauge
16	532127018	Bolt, Shoulder
17	532121246	Bracket, Switch Mounting
18	532123976	Nut, Hex, Large, Flange Lock
19	532121248	Bushing, Snap
20	532121250	Spring, Compression
21	532134300	Spacer, Split, Large .28 Id. x .96

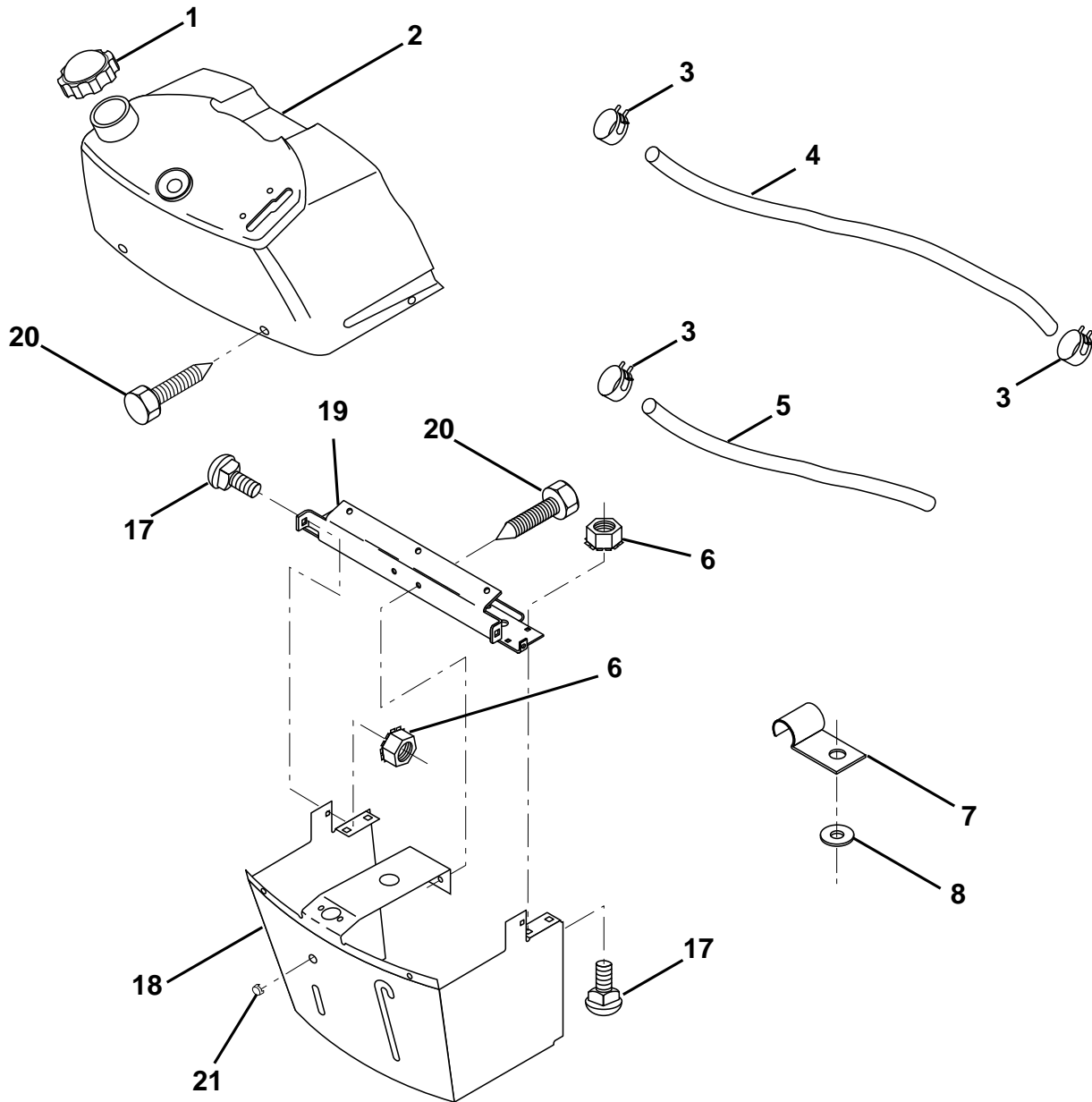
NOTE: All component dimensions given in U.S. inches
1 inch = 25.4 mm

HARDWARE SHOWN LARGER FOR EASIER IDENTIFICATION

REPAIR PARTS

TRACTOR -- MODEL NUMBER LR125 (954001202C)

DASH



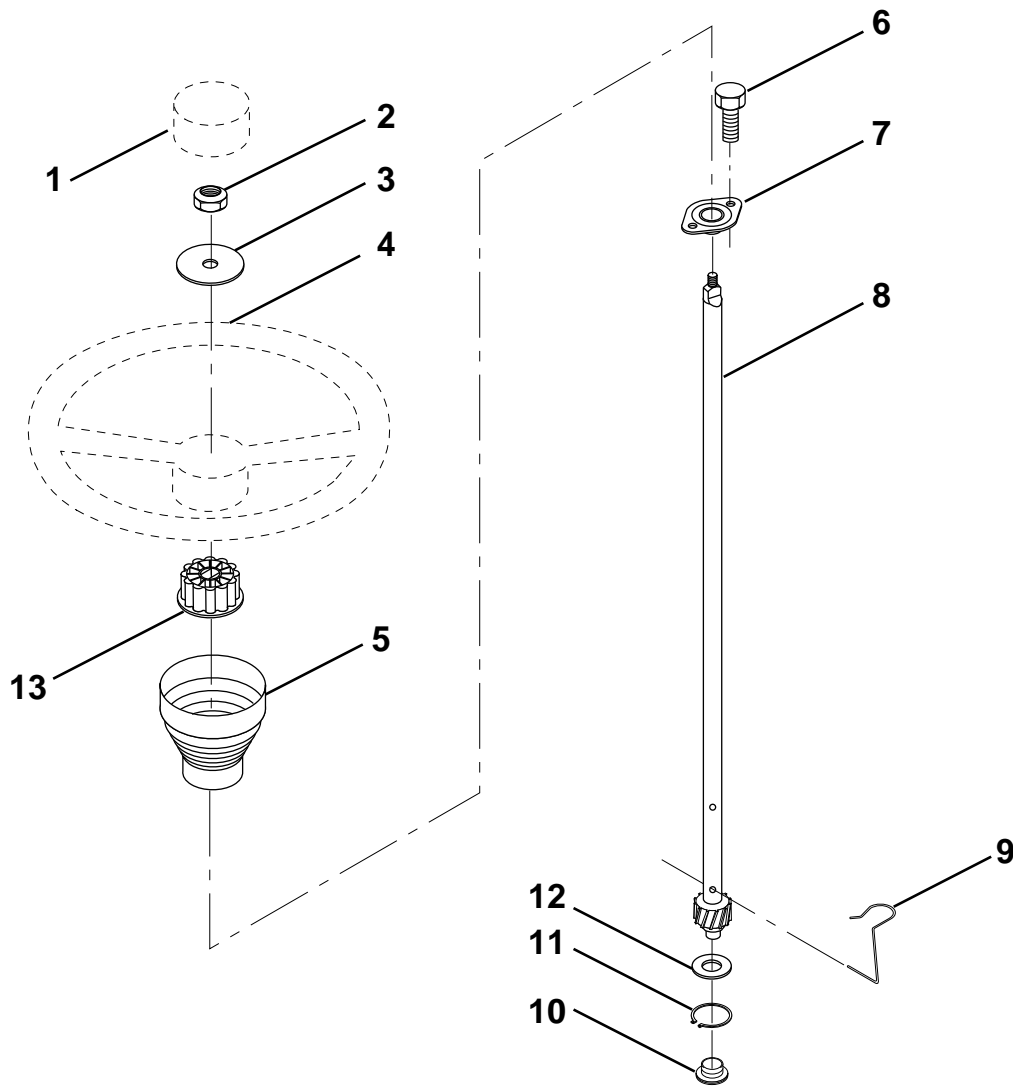
KEY NO.	PART NO.	DESCRIPTION	KEY NO.	PART NO.	DESCRIPTION
1	532142187	Cap, Fuel Tank	17	872110404	Bolt, Carriage 1/4-20 x 1/2 Grade 5
2	532138395	Assembly, Dash & Fuel Tank	18	532131886	Support Assembly, Dash
3	532123487	Clamp, Hose	19	532134744	Brace, Cross
4	532008544	Line, Fuel	20	817060408	Screw, Self-Tapping 1/4-20 x 1/2
5	532008548	Line, Fuel	21	532134014	Plug, Dome, Black
6	873640400	Nut, Keps Blk Hex 1/4-20	NOTE: All component dimensions given in U.S. inches 1 inch = 25.4 mm		
7	532124996	Clip, Fuel Line			
8	819091216	Washer 9/32 x 3/4 x 16 Gauge			

HARDWARE SHOWN LARGER FOR EASIER IDENTIFICATION

REPAIR PARTS

TRACTOR -- MODEL NUMBER LR125 (954001202C)

STEERING WHEEL



KEY NO.	PART NO.	DESCRIPTION
1	532124416	Insert, Steering Wheel
2	532124701	Locknut 3/8-24 UNF
3	819133808	Washer 12/32 x 2-3/8 x 8 Gauge
4	532124415	Steering Wheel
5	532127396	Sleeve, Steering
6	817431008	Screw, Hex Head #10-16 x 1/2
7	532102803	Bushing, Steering
8	532123651	Shaft, Steering

KEY NO.	PART NO.	DESCRIPTION
9	532124210	Clip, Steering
10	532123438	Bushing, Lower, Steering
11	812000045	Ring, Retaining
12	819211616	Washer 21/32 x 1 x 16 Gauge
13	532104820	Adaptor, Steering Wheel

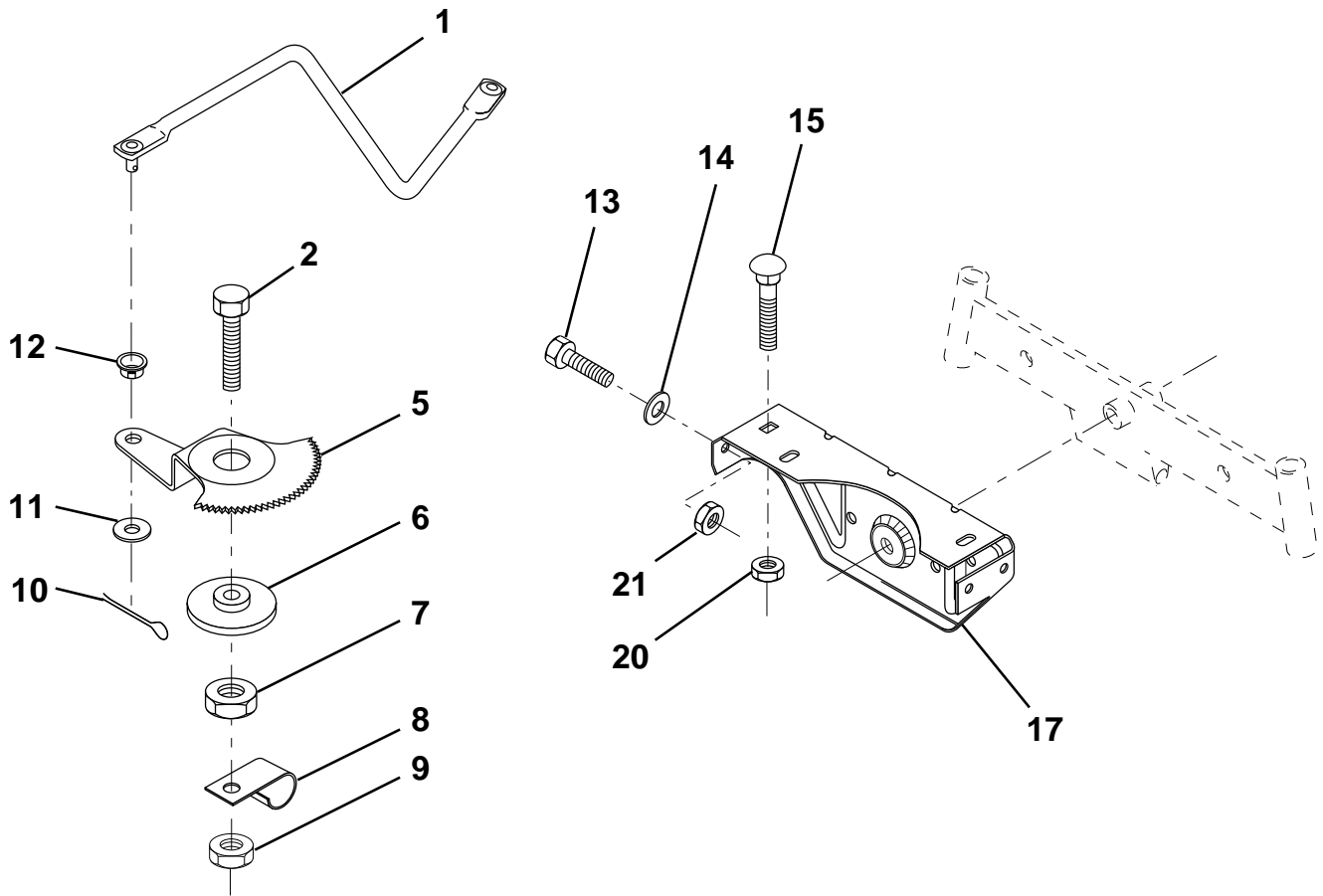
NOTE: All component dimensions given in U.S. inches
1 inch = 25.4 mm

HARDWARE SHOWN LARGER FOR EASIER IDENTIFICATION

REPAIR PARTS

TRACTOR -- MODEL NUMBER LR125 (954001202C)

SECTOR GEAR / AXLE SUPPORT



KEY NO.	PART NO.	DESCRIPTION
1	532132566	Link, Drag
2	874780828	Bolt, Hex, Fin. 1/2-13 x 1-3/4
5	532121926	Gear, Sector
6	532121927	Bushing
7	873030800	Nut, Heavy Hex, Top Lock 1/2-13 UNC
8	532126472	Clip, Insulated
9	873680800	Nut, Crownlock 3/8-16
10	876020412	Pin, Cotter 1/8 x 3/4
11	819131316	Washer 13/32 x 13/16 x 16 Gauge

KEY NO.	PART NO.	DESCRIPTION
12	532126847	Bushing
13	874760512	Bolt, Hex Head 5/16-18 UNC x 1
14	819111416	Washer 11/32 x 7/8 x 16 Gauge
15	872110606	Bolt, Carriage 3/8-16 UNC x 3/4
17	532137096	Support, Front Axle
20	873680600	Nut Crownlock 3/8-16
21	873680500	Nut Crownlock 5/16-18

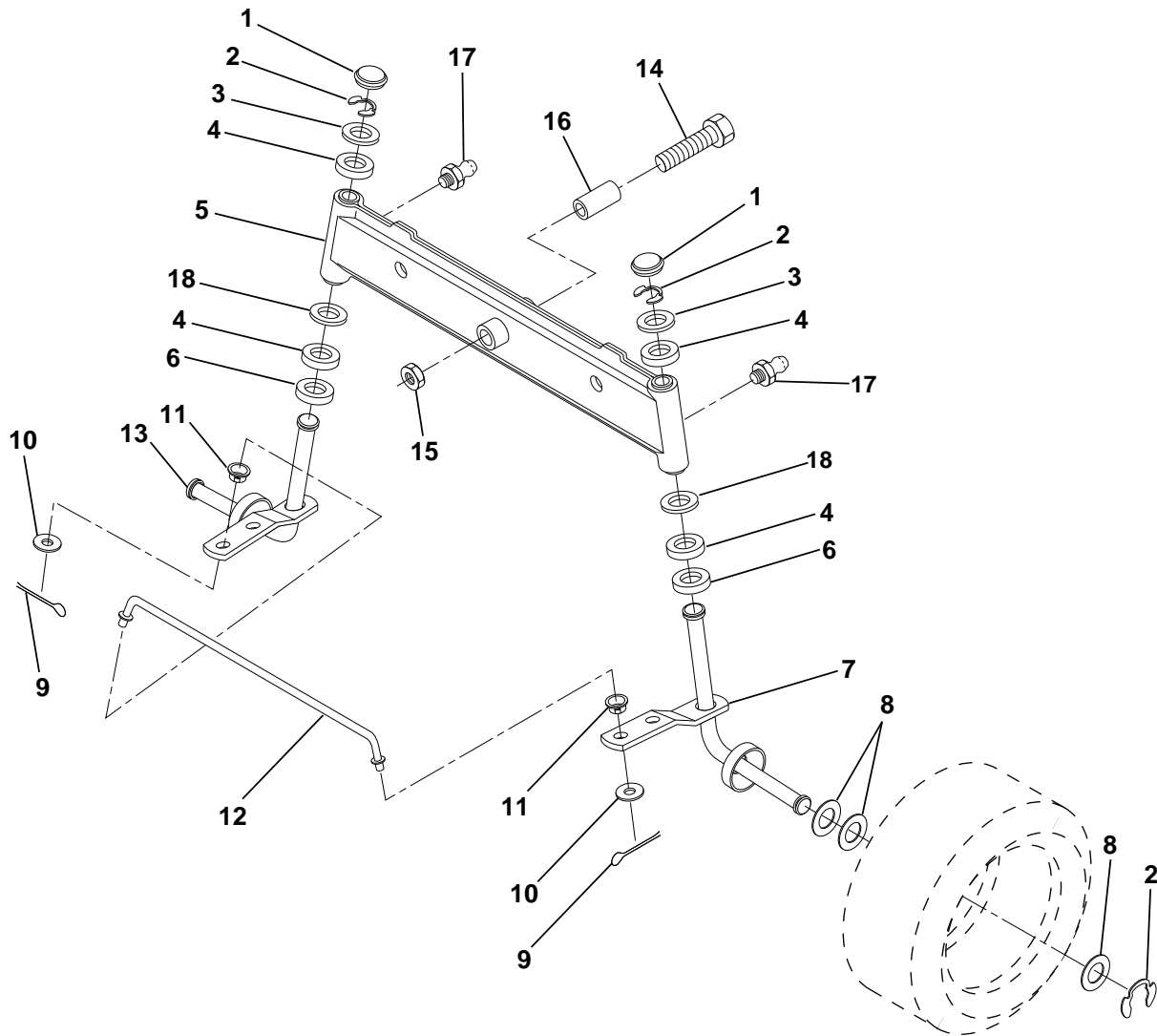
NOTE: All component dimensions given in U.S. inches
1 inch = 25.4 mm

HARDWARE SHOWN LARGER FOR EASIER IDENTIFICATION

REPAIR PARTS

TRACTOR -- MODEL NUMBER LR125 (954001202C)

FRONT AXLE



KEY NO.	PART NO.	DESCRIPTION
1	532121232	Cap, Spindle
2	812000029	Ring, Clip
3	532121748	Washer 25/32 x 1-5/8 x 16 Gauge
4	532124937	Bearing
5	532142033	Axle, Front
6	532124931	Bearing, Thrust
7	532137062	Spindle Assembly, R.H.
8	532121749	Washer 25/32 x 1-1/4 x 16 Gauge
9	876020412	Pin, Cotter 1/8 x 3/4
10	819131316	Washer 13/32 x 13/16 x 16 Gauge

KEY NO.	PART NO.	DESCRIPTION
11	532126847	Bushing
12	532130465	Tie Rod
13	532137061	Spindle Assembly, L.H.
14	874011056	Bolt Hex 5/8-11 Unc x 3-1/2
15	873901000	Nut Lock Flange 5/8-11 Unc
16	532110438	Spacer Bearing
17	532124836	Fitting Grease
18	819272016	Washer 27/32 x 1-1/4 x 16 Ga.

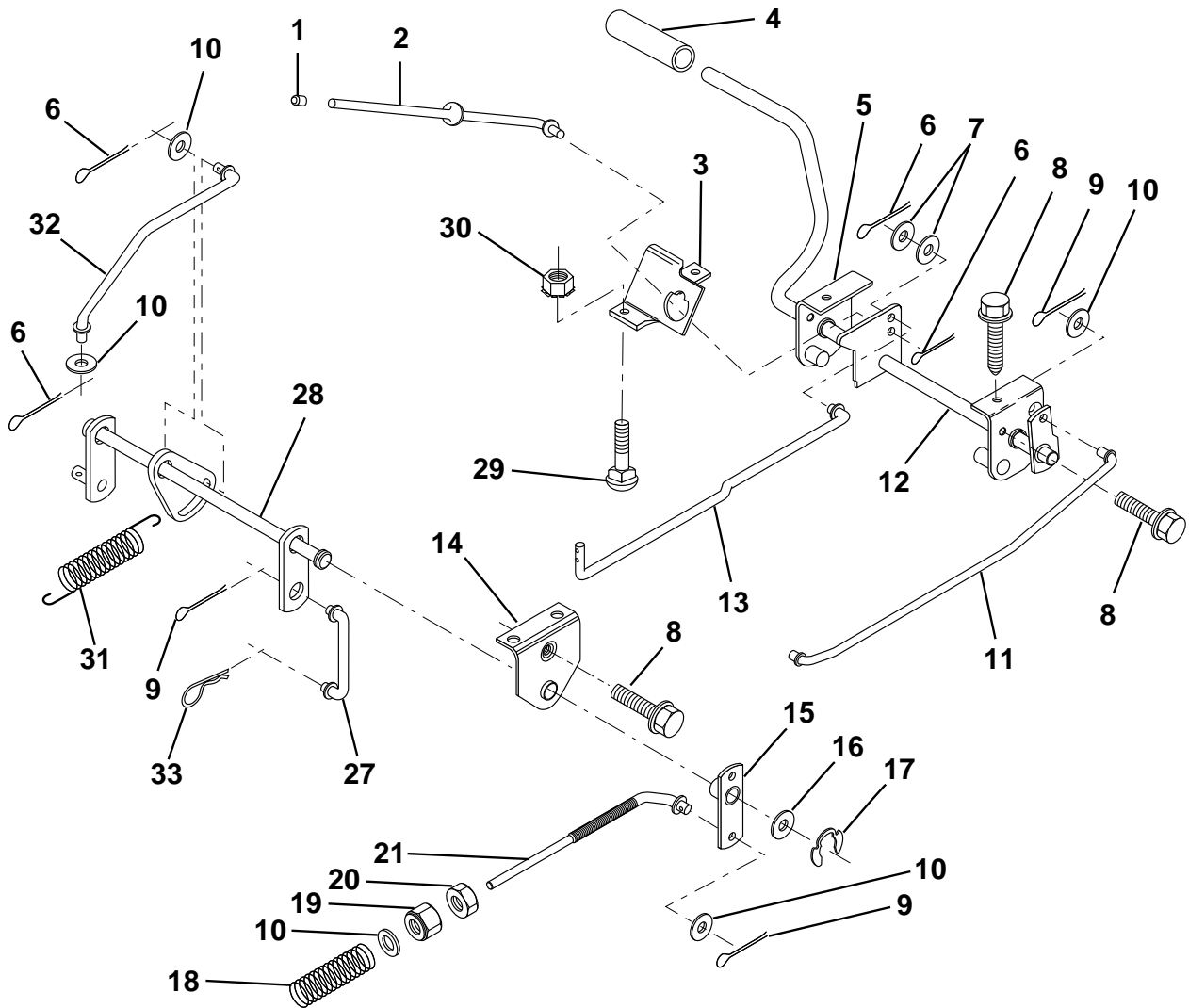
NOTE: All component dimensions given in U.S. inches
1 inch = 25.4 mm

HARDWARE SHOWN LARGER FOR EASIER IDENTIFICATION

REPAIR PARTS

TRACTOR -- MODEL NUMBER LR125 (954001202C)

BRAKE / REAR MOWER LIFT ASSEMBLY



KEY NO.	PART NO.	DESCRIPTION	KEY NO.	PART NO.	DESCRIPTION
1	532071673	Cap, Plunger	16	819251816	Washer 25/32 x 1-1/8 x 16 Gauge
2	532123436	Rod, Parking Brake	17	812000034	Ring, Klip
3	532123437	Bracket, Parking Brake	18	532106888	Spring, Brake Rod
4	532008156	Cover, Pedal	19	873680600	Nut, Crownlock 3/8-16 UNC
5	532132205	Bracket, Clutch/Brake Pedal, L.H.	20	873350600	Nut, Hex, Jam 3/8-16 UNC
6	876020312	Pin, Cotter 3/32 x 3/4	21	532131460	Rod, Brake, Rear
7	819131016	Washer 13/32 x 5/8 x 16 Gauge	27	532136780	Link, Lift, Rear
8	817490508	Screw, Hex Head, Thd., Roll. 5/16-18 x 1/2	28	532140777	Assembly, Rear Mower Lift
9	876020412	Pin, Cotter 1/8 x 3/4	29	872110506	Bolt, Carriage 5/16-18 UNC x 3/4
10	819131316	Washer 13/32 x 13/16 x 16 Gauge	30	873510500	Nut, Hex, Keps 5/16-16 UNC
11	532123543	Rod, Brake, Front	31	532133095	Spring, Counterbalance
12	532139934	Assembly, Clutch/Brake Pedal	32	532133721	Link, Lift Lever
13	532123394	Rod, Clutch	33	532124670	Retainer Spring
14	532121978	Bracket, Lift Shaft			
15	532133332	Assembly, Brake, Pivot, Arm			

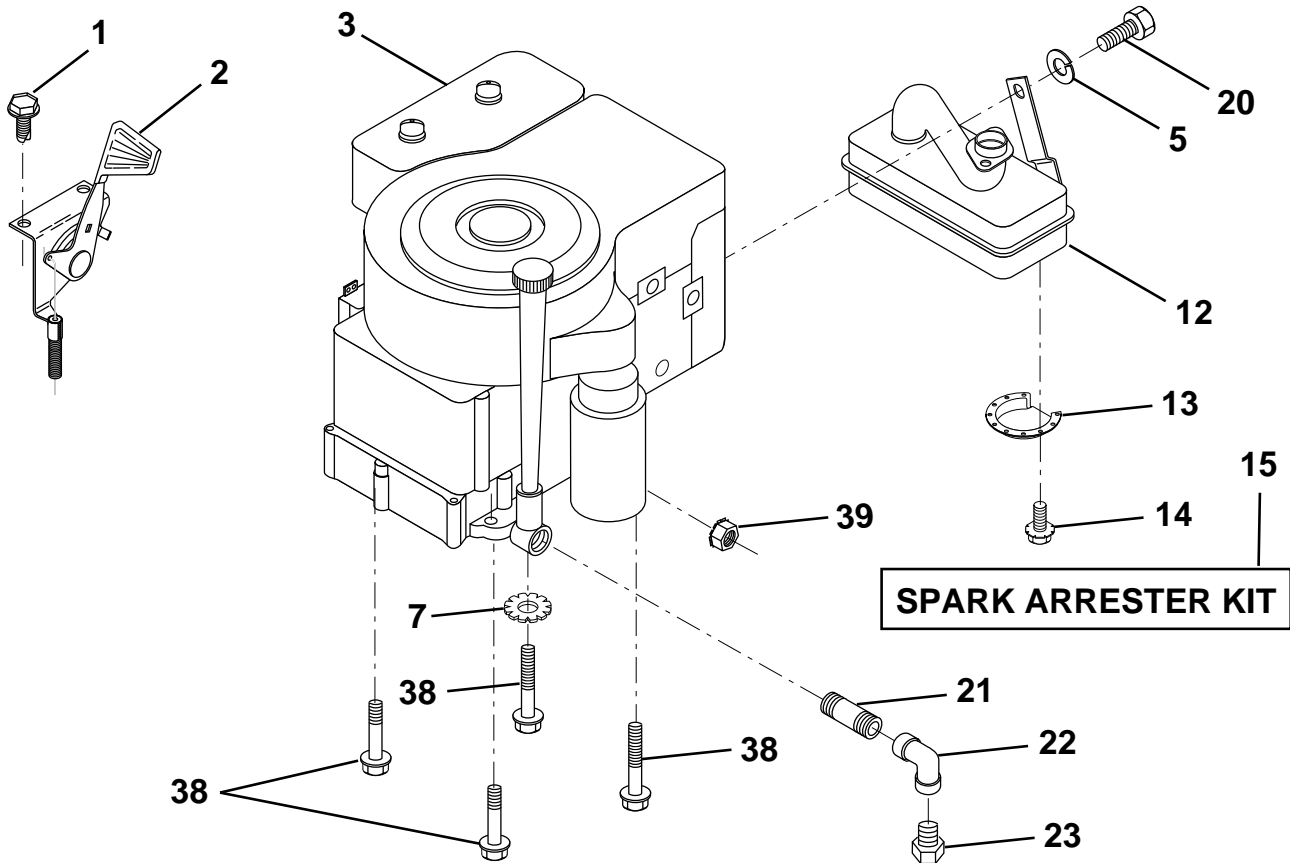
NOTE: All component dimensions given in U.S. inches
1 inch = 25.4 mm

HARDWARE SHOWN LARGER FOR EASIER IDENTIFICATION

REPAIR PARTS

TRACTOR - - MODEL NUMBER LR125 (954001202C)

ENGINE



KEY NO.	PART NO.	DESCRIPTION
1	817060408	Screw, Head Head, Thread Cutting 1/4-20 x 1/2
2	532132753	Control, Throttle
3	-----	Engine, Kohler 12.5 Hp Model C.V. 14
5	810040500	Washer, Lock, Heavy Helical Spring 5/16
7	811050600	Washer, Lock Ext. Tooth 3/8
12	532138149	Muffler
13	532101326	Deflector, Muffler

KEY NO.	PART NO.	DESCRIPTION
14	817030808	Screw, Spiderlock
15	532137180	Arrester, Spark (Optional Equipment)
20	874760508	Bolt, Hex Hd. 5/16-18 x 1/2
21	813280328	Nipple, Pipe 3/8 NPT x 3-1/2
22	813200300	Elbow, STD 90 Degree 3/8-18NPT
23	-----	Nipple, Pipe (Order from eng. mfg.)
38	532125398	Bolt, Hex
39	873510400	Nut Keps Hex 1/4-20

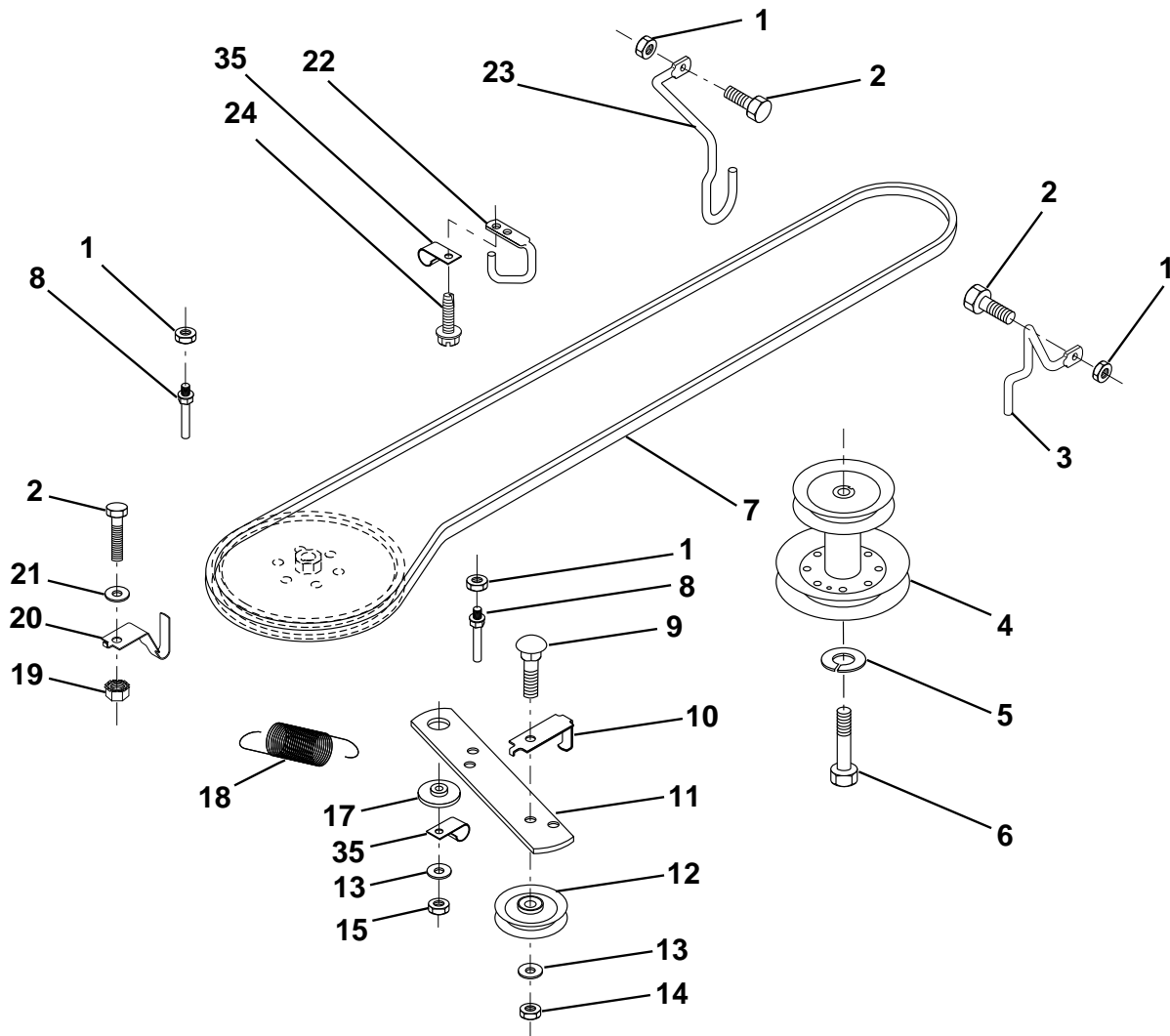
NOTE: All component dimensions given in U.S. inches
1 inch = 25.4 mm

HARDWARE SHOWN LARGER FOR EASIER IDENTIFICATION

REPAIR PARTS

TRACTOR - - MODEL NUMBER LR125 (954001202C)

GROUND DRIVE



KEY NO.	PART NO.	DESCRIPTION	KEY NO.	PART NO.	DESCRIPTION
1	873680500	Nut, Corwnlock 5/16-18	14	873930600	Nut, Hex, Centerlock 3/8-16 UNC
2	874760512	Bolt, Hex Head 5/16-18 UNC x 3/4	15	873680600	Nut, Crownlock 3/8-16 UNC
3	532141341	Keeper, Mower Drive, R.H.	17	532122052	Spacer, Retainer
4	532138029	Pulley, Engine	18	532131459	Spring, Extension
5	810040700	Washer, Lock 7/16	19	873510500	Nut, Hex, Keps 5/16-18 UNC
6	532138887	Bolt, Fin Hex M10 x 1.5 x 75 MM	20	532139919	Keeper, T/A, Ground Drive Belt
7	532124525	Traction, V-Belt Drive	21	819111016	Washer 11/32 x 5/8 x 16 Gauge
8	532123405	Keeper, T/A, Ground Drive Belt	22	532123404	Keeper, Frame Ground Drive Belt
9	872140612	Bolt, Carriage 3/8-16 UNC x 1-1/2	23	532146792	Keeper, Belt LH Front
10	532123396	Keeper, Ground Drive Belt Idler	24	817720408	Screw, Thd. Cut 1/4-20 x 1/2
11	532140911	Arm, Ground Drive Clutch	35	532126472	Clip, Insulated
12	532123674	Idler, Flat			
13	819131316	Washer 13/32 x 13/16 x 16 Gauge			

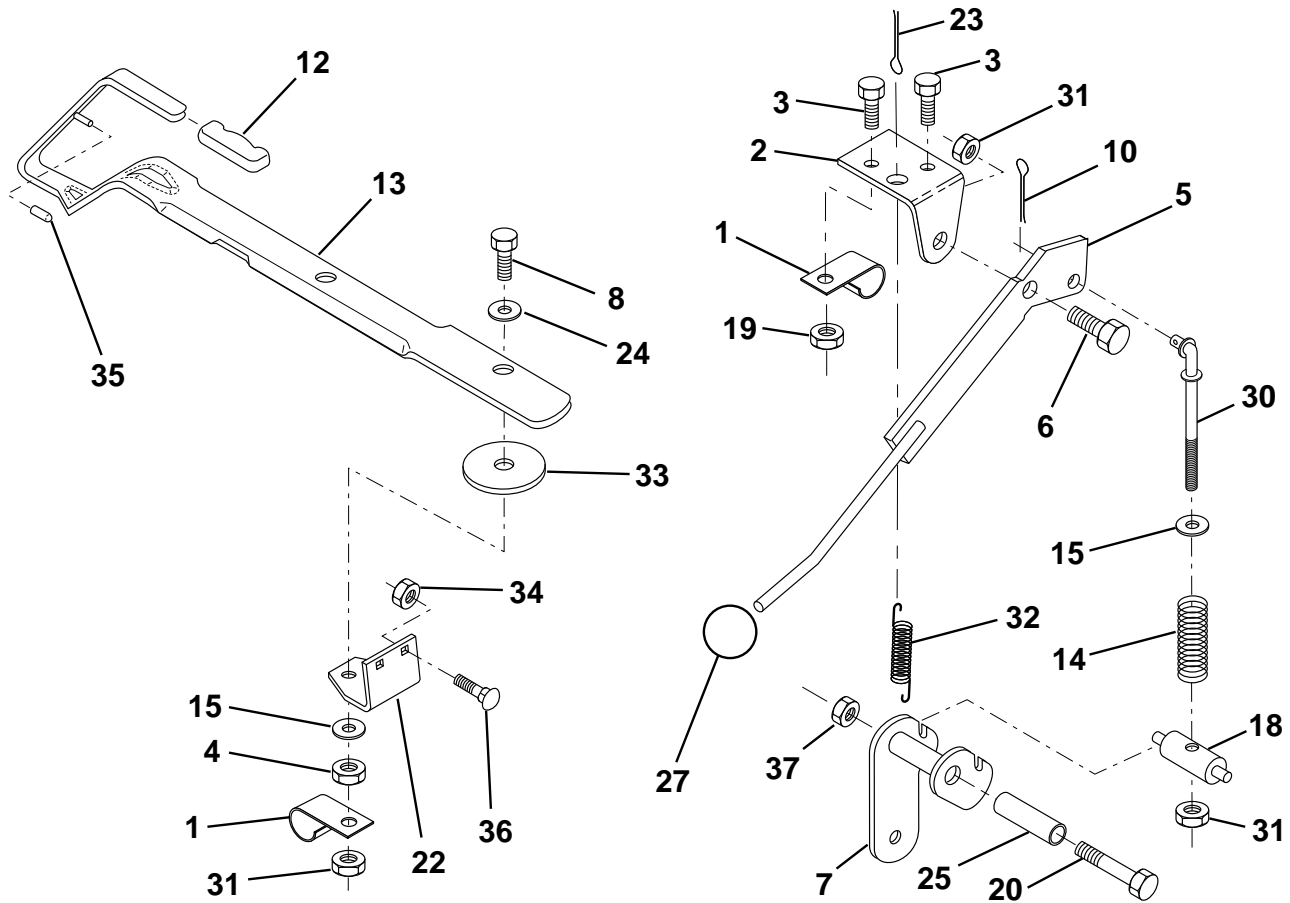
NOTE: All component dimensions given in U.S. inches
1 inch = 25.4 mm

HARDWARE SHOWN LARGER FOR EASIER IDENTIFICATION

REPAIR PARTS

TRACTOR - - MODEL NUMBER LR125 (954001202C)

MOWER LIFT LEVER



KEY NO.	PART NO.	DESCRIPTION
1	532126470	Clip, Insulated
2	532122018	Bracket, Mower Clutch
3	871110408	Bolt, Blk Fin. Hex 1/4-20 x 1/2
4	873930600	Nut, Lock Hex w/Wsh 3/8-16
5	532147187	Assembly, Clutch Lever
6	532106451	Bolt, Shoulder
7	532141435	Assembly, Mower Clutch Arm
8	874930624	Bolt, Hex Head 3/8-16 UNC x 1-1/2
10	876020412	Pin, Cotter 1/8 x 3/4
12	532122027	Handle, Lift Lever
13	532136658	Assembly, Lift Handle
14	532133939	Spring, Compression
15	819131616	Washer 13/32 x 1 x 11 Gauge
18	532135107	Trunnion, Threaded 3/8-16
19	873680400	Nut, Crownlock 1/4-20
20	874760644	Bolt, Hex Hd Fin 3/8-16 UNC x 2-3/4

KEY NO.	PART NO.	DESCRIPTION
22	532132561	Bracket, Lift Lever
23	876020312	Pin, Cotter 3/32 x 3/4
24	532007672	Washer 25/64 x 1-1/4 x 12 Gauge
25	532121933	Tube, Spacer
27	532121466	Knob
30	532135039	Rod, Tension, Clutch
31	873800600	Nut, Lock Hex W/Ins. 3/8-16
32	532133435	Spring, Extension, Return
33	532062333	Washer .390 x 1.437 x .074
34	873800500	Nut, Lock Hex w/Ins 5/16-18
35	532133603	Cap, Vinyl, Red
36	872140506	Bolt, Carriage 5/16-18 x 3/4
37	873680600	Nut, Crownlock 3/8-16

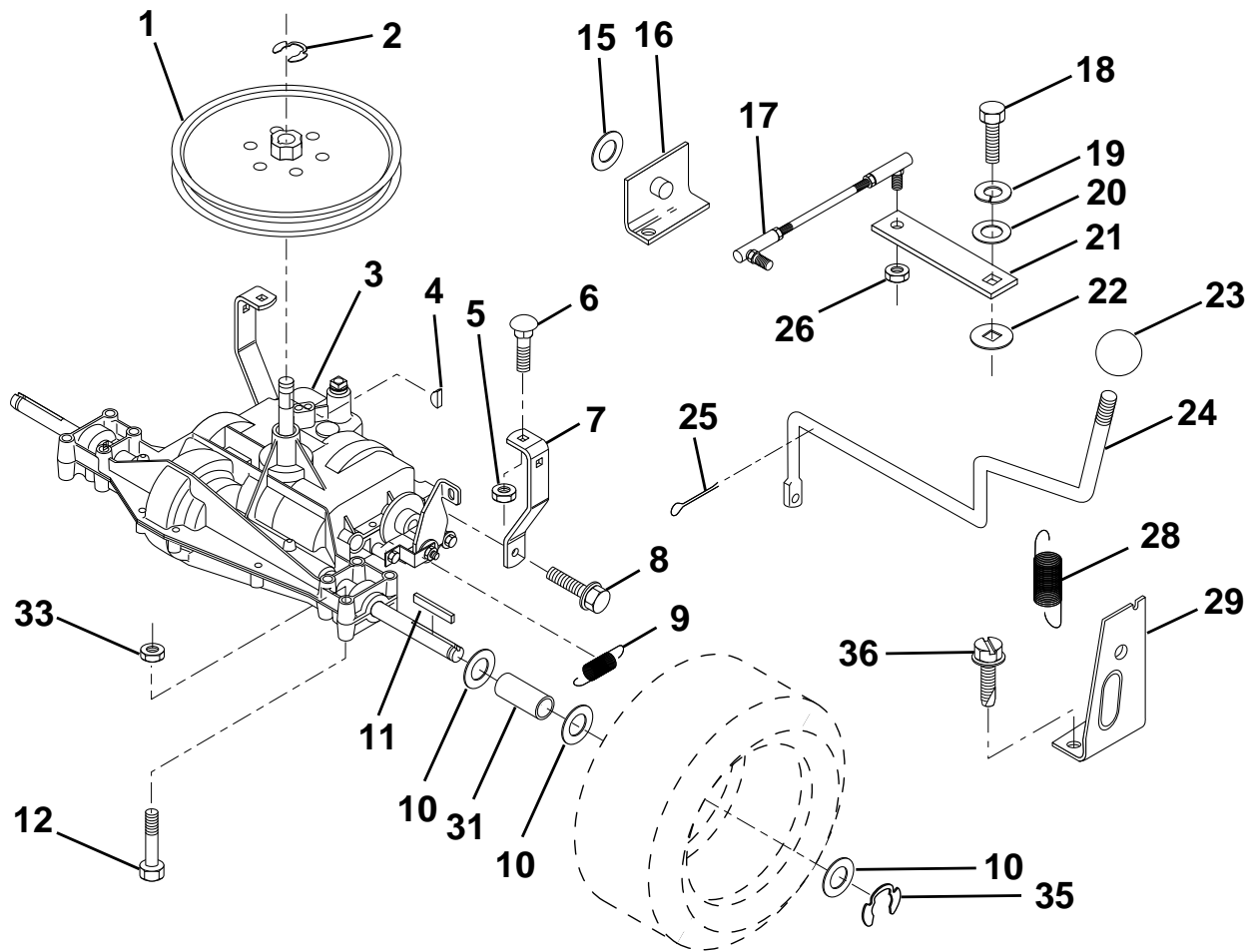
NOTE: All component dimensions given in U.S. inches
1 inch = 25.4 mm

HARDWARE SHOWN LARGER FOR EASIER IDENTIFICATION

REPAIR PARTS

TRACTOR - - MODEL NUMBER LR125 (954001202C)

TRANSAXLE



KEY NO.	PART NO.	DESCRIPTION
1	532123385	Pulley
2	812000028	Ring, Retainer
3	532142603	Transaxle, Dana Model No. 4360-79
4	532125096	Key, Woodruff #9
5	873680500	Nut, Crownlock 5/16-18
6	872140506	Bolt, Carriage 5/16-18 UNC x 3/4
7	532123378	Strap, Torque
8	817490512	Screw 5/16-18 x 3/4
9	532146682	Spring, Brake
10	532121749	Washer 25/32 x 1-1/4 x 16 Gauge
11	532123583	Key, Square
12	874760644	Bolt, Hex, Fin. 3/8-16 Unc x 2-3/4
15	819171616	Washer 17/32 x 1 x 16 Gauge
16	532124600	Support Handle Shift, LH
17	532123632	Link, Shift
18	874550412	Bolt, Hex, Fin. 1/4-28 UNF x 3/4 Grade 8

KEY NO.	PART NO.	DESCRIPTION
19	810040400	Washer, Lock 1/4
20	819091210	Washer 9/32 x 3/4 x 10 Gauge
21	532123539	Arm, Shift
22	532105701	Washer, Shift Plate
23	532121274	Knob, Duckhead
24	532128215	Rod Assembly, Shift
25	876020416	Pin, Cotter 1/8 x 1
26	873810500	Locknut 5/16-24 UNF
28	532128085	Extension, Spring
29	532128084	Support Handle Shift, RH
31	532109502	Spacer Split
33	873680600	Nut, Crownlock 3/8-16 UNC
35	812000001	E-Ring
36	817720408	Screw, Thd. Cut 1/4-20 x 1/2

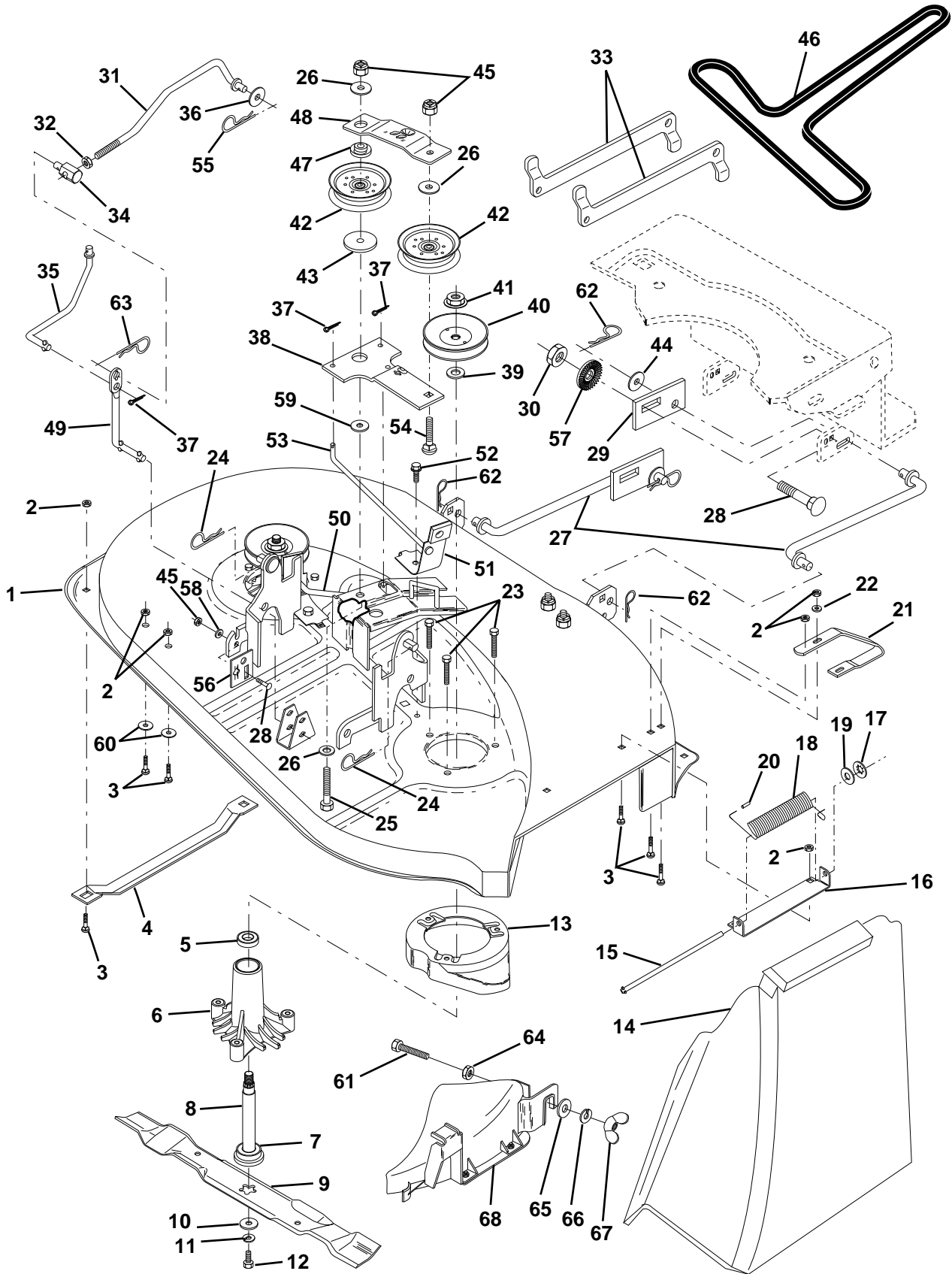
NOTE: All component dimensions given in U.S. inches
1 inch = 25.4 mm

HARDWARE SHOWN LARGER FOR EASIER IDENTIFICATION

REPAIR PARTS

TRACTOR - - MODEL NUMBER LR125 (954001202C)

MOWER DECK



REPAIR PARTS

TRACTOR - - MODEL NUMBER LR125 (954001202C)

MOWER DECK

KEY NO.	PART NO.	DESCRIPTION	KEY NO.	PART NO.	DESCRIPTION
1	532142830	Mower Deck Assembly	39	532129963	Washer .150 Thick
2	873680500	Nut, Crownlock 5/16-18	40	532129206	Pulley, Mandrel
3	872140506	Bolt, Carriage 5/16-18 x 3/4	41	532137266	Nut, Flangelock 9/16
4	532125074	Runner, L.H.	42	532121316	Pulley, Flat Idler
5	532110485	Bearing	43	532122052	Spacer, Retainer
6	532128774	Housing, Mandrel	45	873680600	Nut, Crownlock 3/8-16
7	532129895	Bearing	46	532126520	Belt
8	532137645	Shaft and Bearing Assembly, Mandrel (Includes Key Number 7)	47	532133502	Spacer, Idler Arm
9	532134148	Blade	48	532133503	Stiffener, Idler Arm
10	532140296	Washer, Hardened	49	532133551	Rod, Pivot
11	810030600	Washer, Lock 3/8	50	532131289	Rod, Brake, L.H.
12	532850857	Bolt, Hex 3/8-24 x 1-1/4 Grade 8	51	532130840	Brake Assembly
13	532140329	Stripper, Mower, Vented	52	817490512	Screw, Hex Washer Head, Thd., Roll. 5/16-18 x 3/4
14	532106736	Shield, Deflector	53	532131288	Rod, Brake, R.H.
15	532106735	Rod, Hinge	54	872110614	Bolt, Carriage 3/8-16 x 1-3/4 Grade 5
16	532137607	Bracket Assembly, Deflector	55	532124961	Spring, Retainer
17	532110452	Pushnut	56	532136782	Adjustment Plate, Rear Link, L.H.
18	532123713	Spring, Deflector	57	532144283	Washer, Serranted 13/32 x 1
19	819111016	Washer 11/32 x 5/8 x 16 Gauge	58	819131212	Washer 13/32 x 3/4 x 12 Gauge
20	532105304	Cap, Sleeve	59	532133943	Washer, Hardened
21	532128772	Runner, R.H.	60	819111112	Washer 11/32 x 11/16 x 12 Gauge
22	819111216	Washer 11/32 x 3/4 x 16 Gauge	61	874930620	Bolt 3/8-16 x 1-1/4
23	532138776	Screw, Thdrol. Hex Hd. Zinc Mwr	62	532124660	Retainer, Spring
24	532124670	Retainer, Spring	63	532124788	Retainer, Spring
25	874600636	Bolt, Carriage 3/8-16 x 2-1/4	64	873930600	Nut Centerlock 3/8-16
26	819131612	Washer 13/32 x 1 x 12 Gauge	65	819132016	Washer 13/32 x 1-1/4 x 16
27	532139756	Link Assembly, Front	66	810040600	Washer Lock Hvy Hlcl
28	872140608	Bolt, RdHd SqNk 3/8-16 x 1	67	532135651	Nut Wing
29	532139757	Plate, Slide Link	68	532132803	Cover Asm. Mulching 38"
30	873800600	Nut, Lock Hex w/Wsh 3/8-16	--	532130794	Mandrel Assembly (Includes Key Numbers 5-8, 10-12, 39 and 41)
31	532140915	Clutch Rod, Primary	--	532142862	Mower Deck, Complete (Std. Deck Order Mulcher Plate Components Separately Key Nos. 61, 64-68)
32	873350600	Nut, Hex, Jam 3/8-16			
33	532132559	Arm, Suspension, Rear			
34	532133604	Trunnion 3/8-16			
35	532132554	Clutch Rod, Secondary			
36	819131316	Washer 13/32 x 13/16 x 16 Gauge			
37	876020312	Pin, Cotter 3/32 x 3/4			
38	532133840	Idler Arm			

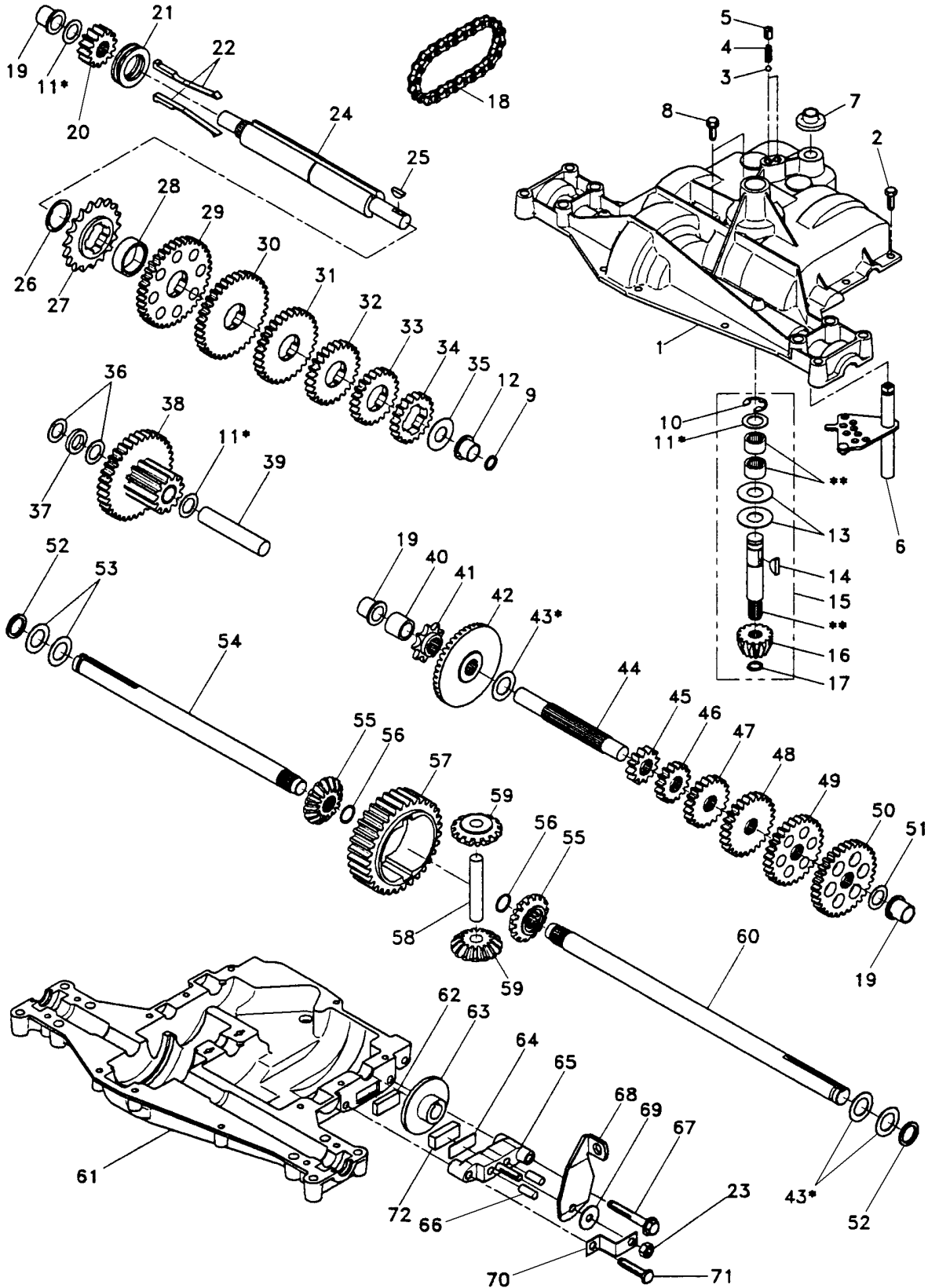
NOTE: All component dimensions given in U.S. inches
1 inch = 25.4 mm

HARDWARE SHOWN LARGER FOR EASIER IDENTIFICATION

REPAIR PARTS

TRACTOR -- MODEL NUMBER LR125 (954001202C)

TRANSAXLE DANA, MODEL NO. 4360-79



REPAIR PARTS

TRACTOR - - MODEL NUMBER LR125 (954001202C)

TRANSAXLE DANA, MODEL NO. 4360-79

KEY PART NO. NO.	DESCRIPTION	KEY PART NO. NO.	DESCRIPTION
1	532142671 Housing, Upper	41	532105928 Sprocket, 9 Teeth (Reverse)
2	532002274 Screw, Self-Tapping, Large 1/4-20 x .734	42	532110084 Gear, Bevel, 42 Teeth
3	532134400 Ball, Detent	43	532134394 * Assembly, Kit, Shim .750 Shaft
4	532105904 Spring, Detent	44	532120473 Shaft, Drive
5	532105905 Screw, Set	45	532142678 Gear, Spur, 12 Teeth (1 st)
6	532138235 Kit, Shifter Assembly	46	532142679 Gear, Spur, 15 Teeth (2 nd)
7	532134399 Boot, Shifter	47	532120407 Gear, Spur, 20 Teeth (3 rd)
8	532134791 Screw, Self-Tapping, with Sealer	48	532106589 Gear, Spur, 25 Teeth (4 th)
9	532138241 Square Ring	49	532120408 Gear, Spur, 28 Teeth (5 th)
10	532142672 Ring, Retaining	50	532105937 Gear, Spur, 31 Teeth (6 th)
11	532134793 * Assembly, Kit, Shim .625 Shaft	51	532002226 Washer, Plain .632 x 1.00 x .060
12	532142673 Bearing, Flange	52	532134401 Washer, Neoprene
13	532120415 Washer, Plain .632 x 1.38 x .046	53	532002264 Washer, Plain .758 x 1.25 x .031
14	532142674 Key, Woodruff, #9	54	532120474 Axle, L.H.
15	532138234 Assembly, Kit, Input Shaft	55	532110081 Gear, Miter, 15 Teeth
16	532110078 Pinion, Bevel, 14 Teeth	56	532105941 Ring, Retaining
17	532105909 Ring, Retaining	57	532110071 Gear, Spur, 32 Teeth
18	532105910 Chain, 24 Pitches	58	532120952 Shaft, Cross
19	532105911 Bearing, Flange	59	532110082 Gear, Miter, 15 Teeth
20	532142675 Gear, Spur, 14 Teeth	60	532123908 Axle, R.H.
21	532138246 Collar, Clutch	61	532142680 Housing, Lower
22	532138236 Assembly, Kit, Clutch Keys	62	532120961 Puck, Friction
23	873810500 Locknut 5/16-24	63	532007294 Disc, Brake
24	532142676 Shaft, Intermediate	64	532108989 Spacer
25	532002244 Key, Woodruff, #61	65	532120953 Jaw, Brake
26	532105916 Ring, Retaining	66	532120954 Pin, Dowel
27	532120470 Sprocket, 18 Teeth (Reverse)	67	532134799 Screw, Self-Tapping, Large 5/16-18 x 2.25
28	532110070 Spacer	68	532138244 Lever, Actuating
29	532142677 Gear, Spur, 37 Teeth (1 st)	69	532108996 Washer, Plain .321 x 1.00 x .055
30	532142681 Gear, Spur, 35 Teeth (2 nd)	70	532120956 Bracket, Anti-Rotation
31	532120405 Gear, Spur, 30 Teeth (3 rd)	71	532106596 Screw, Self-Tapping, Large 5/16-18 x 1.44
32	532108980 Gear, Spur, 25 Teeth (4 th)	72	532120951 Puck, Friction
33	532120406 Gear, Spur, 22 Teeth (5 th)	73	532120416 Grease
34	532134796 Gear, Spur, 19 Teeth (6 th)		
35	532105925 Washer, Plain .640 x 1.37 x .061		
36	532002232 Washer, Plain .632 x 1.00 x .026		
37	532108978 Spacer .630 x 1.00 x .169		
38	532110079 Assembly, Gear, Combination of 12 Teeth and 35 Teeth		
39	532124639 Shaft, Idler		
40	532120472 Spacer .635 x .875 x .755		

* Use in combinations to maintain proper clearances

** Order Key No. 15

NOTE: All component dimensions given in U.S. inches
1 inch = 25.4 mm