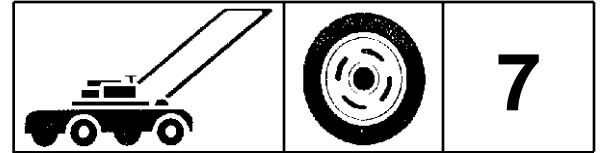
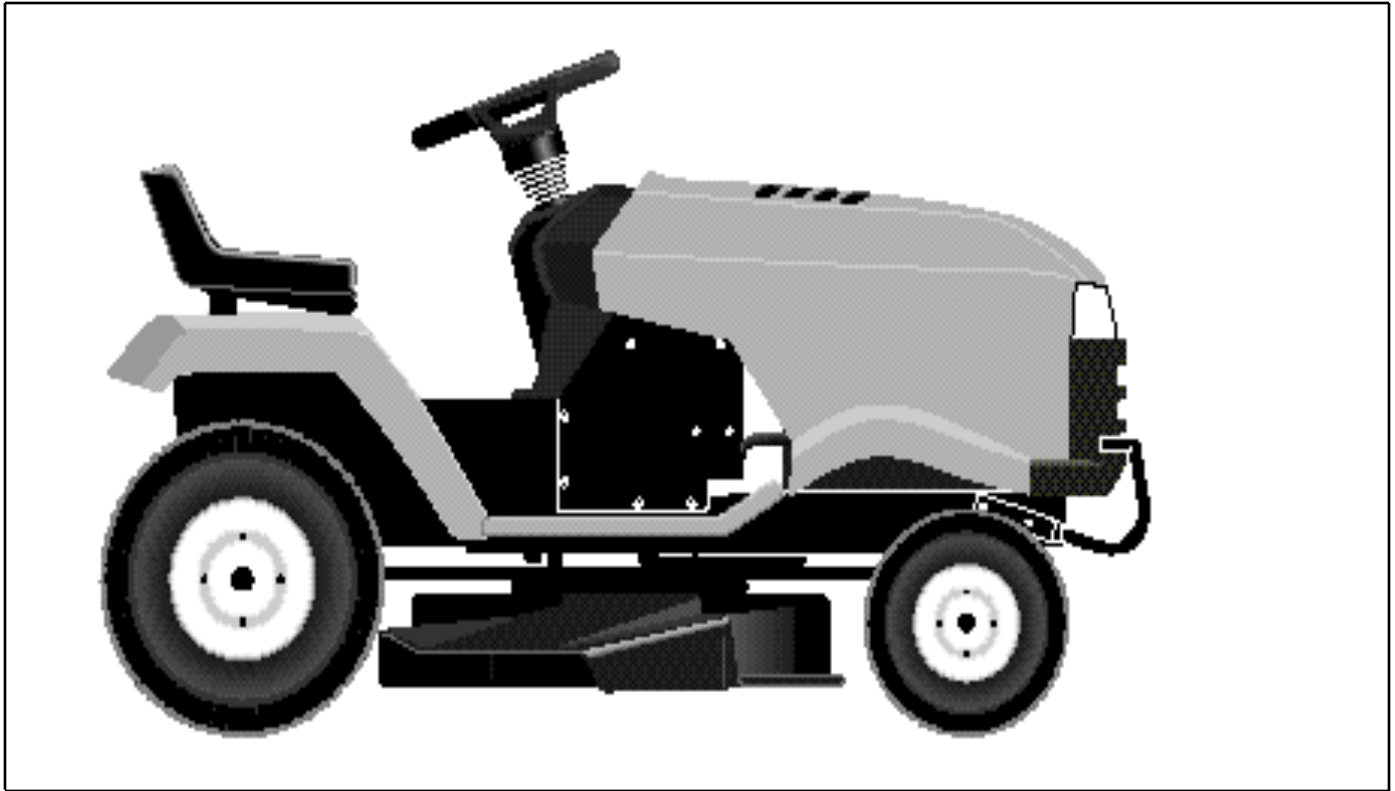


For Husqvarna Parts Call 606-678-9623 or 606-561-4983

 **Husqvarna**



YTH 180



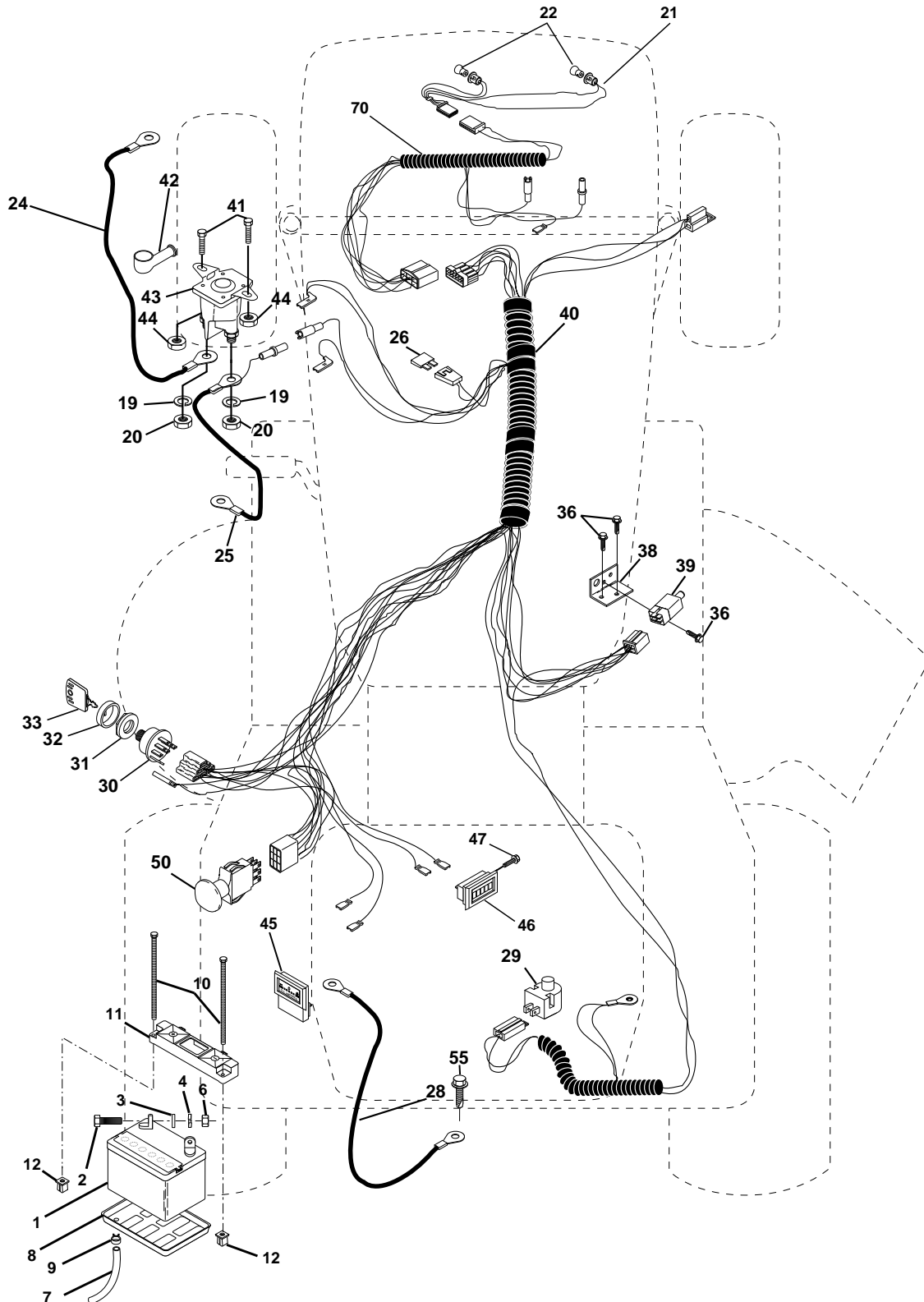
**10.1995**  
**PARTS LISTING**

**954830134A**

**REPAIR PARTS**

**TRACTOR - MODEL NO. YTH180 (954830134A)**

**ELECTRICAL**



**REPAIR PARTS**

**TRACTOR - MODEL NO. YTH180 (954830134A)**

**ELECTRICAL**

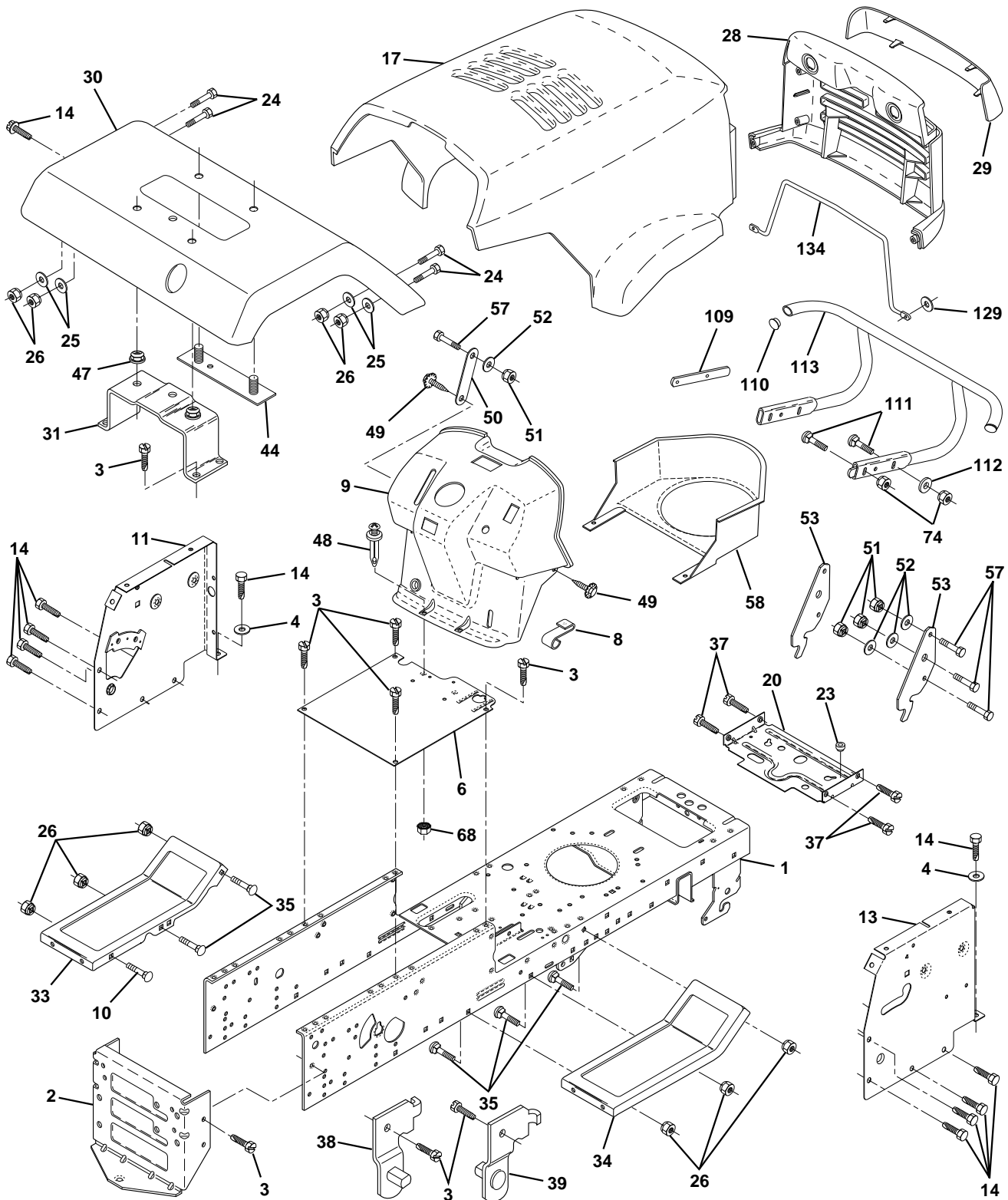
KEY NO.	PART NO.	DESCRIPTION
1	532144926	Battery 12 Volt 30 AMP
2	874760412	Bolt Hex Hd 1/4-20unc X 3/4
3	819091016	Washer 9/32 X 5/8 X 16 Ga.
4	810040400	Washer Lock Hvy Helical 1/4
6	873220400	Nut Fin Hex 1/4-20 Unc
7	532007697	Tube Plastic 12"
8	532124886	Tray Battery 7.80 x 5.25 Blk
9	532109596	Clamp Hose Olive
10	532145211	Bolt, Btr., Frt., 1/4-20 x 7.5 Zinc
11	532145209	Holddown, Battery, Dash Mount
12	532145769	Nut, Push, Nylon 1/4" Battery Frt
19	810090400	Washer Lock 1/4
20	873350400	Nut Jam Hex 1/4-20 Unc
21	532147430	Harness Asm Light W/4152j
22	532004152	Bulb Light #1156
24	532124780	Cable Battery 6 Ga 11" red
25	532146148	Cable Battery 6 Ga 22" w/16W
26	532108824	Fuse 30 AMP Auto Green
28	532145491	Cable Ground 6 Ga 21" 90T black
29	532121305	Switch Plunger Nc Gray
30	532140301	Switch Ign 4 pos w/lights
31	532124211	Nut Ignition
32	532141226	Cover Sw Ignition
33	532122147	Key Ign Modleded Generic
36	817021008	Screw Tap Hex #10-24unc X 1/2
38	532140336	Bracket, Switch, Interlock
39	532109553	Switch Intlk Clutch Red 4 Term
40	532151215	Harness Ign. Elec. P/L Elect. HM
41	871110408	Bolt Blk Fin Hex 1/4 - 20 x 1/2
42	532131563	Cover Terminal Red
43	532145673	Solenoid
44	873640400	Nut Keps Hex 1/4-20 Unc
45	532122822	Ammeter, Rectangular 15 AMP
46	532110940	Meter, Hour
47	817011008	Screw 10-24 x 1/2 Black
50	532140404	Switch PTO 3 PTD Black
55	817490508	Screw, Thdrol. 5/16-18 x 1/2 TYT
70	532141861	Harness, Eng.

**NOTE:** All component dimensions given in U.S. inches.  
1 inch = 25.4 mm.

# REPAIR PARTS

TRACTOR - MODEL NO. YTH180 (954830134A)

## CHASSIS AND ENCLOSURES



**REPAIR PARTS**

**TRACTOR - MODEL NO. YTH180 (954830134A)**

**CHASSIS AND ENCLOSURES**

KEY NO.	PART NO.	DESCRIPTION
1	532145501	Chassis Weldment 11ga
2	532140356	Drawbar, Stretch
3	817490612	Screw Thdrol 3/8-16x3/4 Ty-tt
4	819131216	Washer 13/32 x 3/4 x 16 Ga.
6	532145206	Saddle LT Fender Shift
8	532126471	Clip Insulator .406 Mtg Hole
9	532151015	Dash P/L w/PTO Grey
10	872140608	Bolt Carriage 3/8-16 x 1
11	532146956	Panel Pnt Dash Lh
13	532146962	Panel Dash Rh
14	817490608	Screw Thdrol 3/8-16x1/2 Ty-tt
17	532149775	Hood LT/PL Husqvarna
20	532145210	Plate Mtg. Battery Fuel Tank. 95
23	532124028	Bushing
24	874780616	Bolt Fin Hex 3/8-16unc X 1 Gr. 5
25	819131312	Washer 13/32 X 13/16 X 12 Ga
26	873800600	Nut Lock Hex W/Ins 3/8-16 Unc
28	532149776	Grille LT/PL Husqvrna
29	532149777	Lens LT/PL Husqvrna
30	532140002	Fender Yt/Gt W Shift, W/Fuel 94
31	532137113	Bracket Asm Fender
33	532145244	Footrest LT/YT/GT 95 Lh
34	532145243	Footrest LT/YT/GT 95 Rh
35	872110606	Bolt Rdhd Sht Sqnk 3/8-16 X3/4
37	817490508	Screw Thdrol 5/16-18 X1/2
38	532139886	Bracket, Asm. Pivot, L.H., Mower Rear
39	532139887	Bracket, Asm. Pivot, R.H., Mower Rear
44	532140675	Strap Asm. Fender 94
47	532105531	Nut, Push Nylon
48	532138096	Rivet Push Plate D Plastick Blk
49	817490412	Screw Hexwsh. Thdrol 1/4-20 x 3/4
50	532142779	Brace
51	873800400	Nut Lock Hex W/Ins 1/4-20
52	819091416	Washer 9/32 x 7/8 x 16 Ga.
53	532150067	Bracket Pnt. Pick off LT/PL Husq.
57	874780412	Bolt Hex 1/4-20 x 3/4
58	532150127	Air Duct P/L / LT
68	873510400	Nut Keps Hex 1/4-20
74	873680600	Nut Crownlock 3/8-16 UNC
109	532141461	Bracket Extension Bumper
110	532143679	Plug Plastic
111	872140610	Bolt Carriage 3/8-16 x 1-1/4
112	819131316	Washer 13/32 x 13/16 x 16 Ga.
113	532150300	Bumper Asm.
129	819091016	Washer 9/32 x 5/8 x 16 Ga.
134	532150132	Rod Support Hood LT/PL Husq.
--	532005479	Plug Button

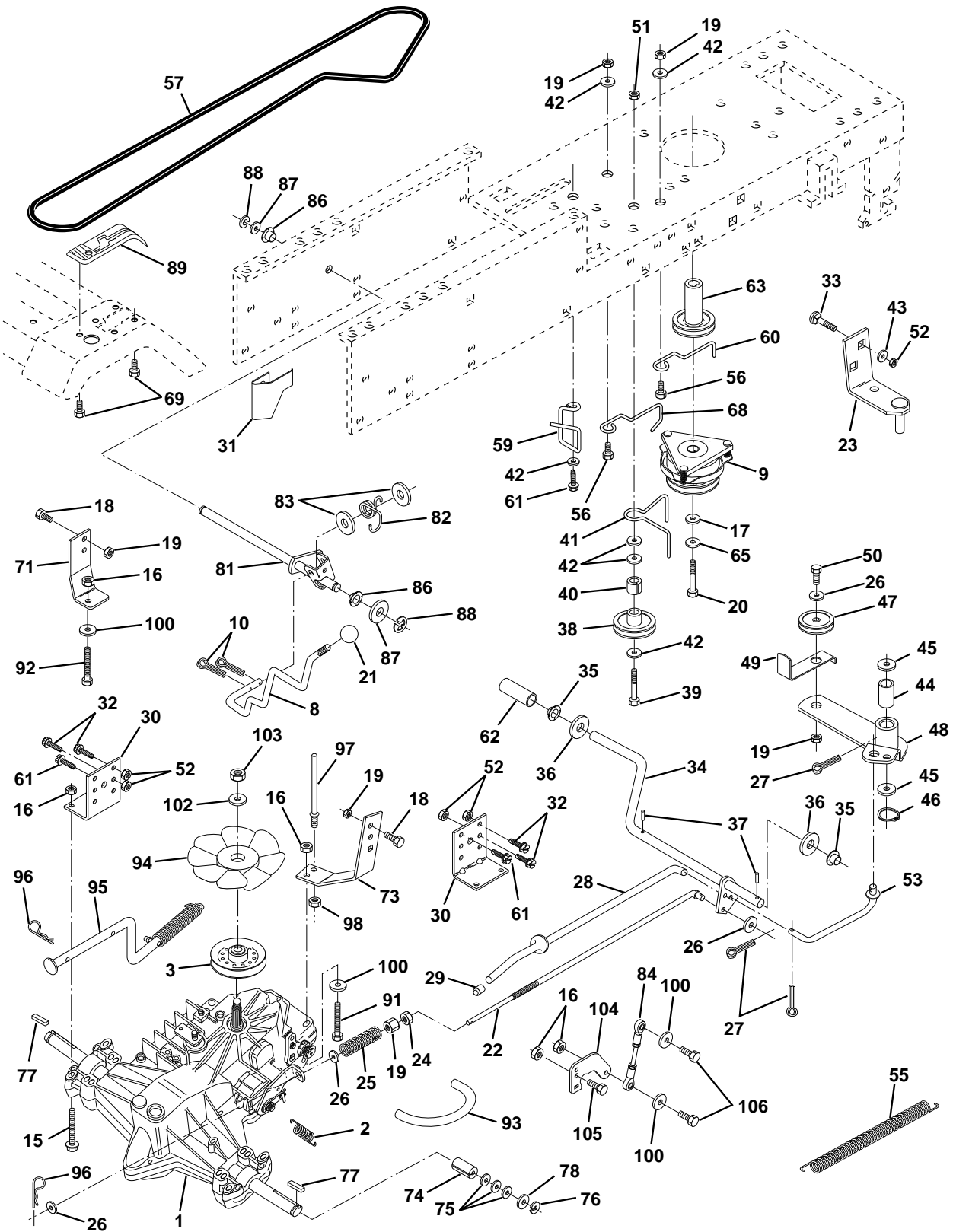
**NOTE:** All component dimensions given in U.S. inches.

1 inch = 25.4 mm

REPAIR PARTS

TRACTOR - MODEL NO. YTH180 (954830134A)

DRIVE



**REPAIR PARTS**

**TRACTOR - MODEL NO. YTH180 (954830134A)**

**DRIVE**

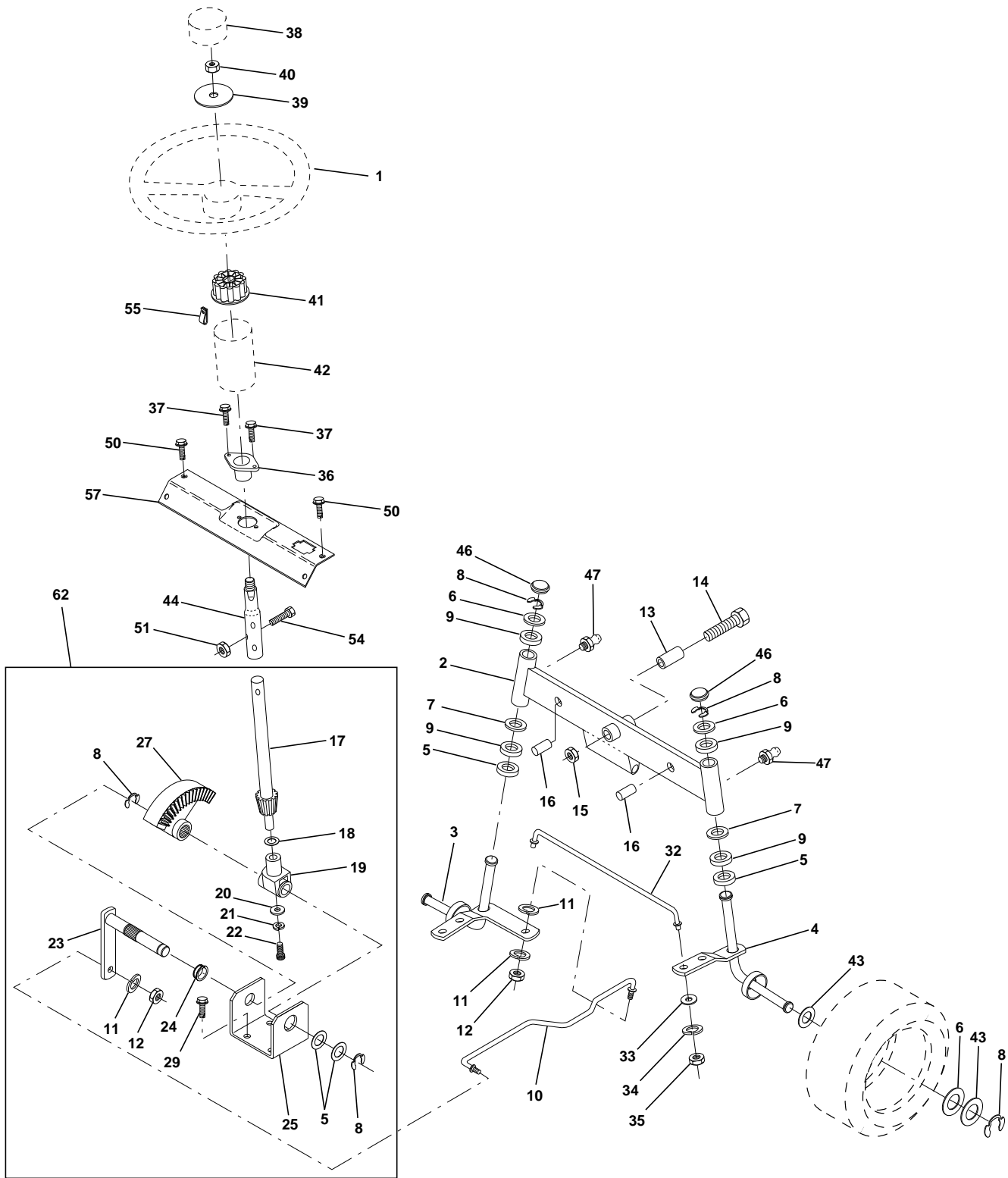
<b>KEY PART NO. NO.</b>	<b>DESCRIPTION</b>	<b>KEY PART NO. NO.</b>	<b>DESCRIPTION</b>
1 532150071	Transaxle Assembly 310-0650	52 873680500	Nut Crownlock 5/16-18
2 532142431	Spring, Return, Brake	53 532105710	Link, Clutch
3 532143995	Pulley, Transaxle	55 532105709	Spring, Return, Clutch
8 532141002	Rod Shift Fender LT	56 874760620	Bolt Fin Hex 3/8-16 UNC x 1-1/4
9 532137140	Clutch, Elect.	57 532140294	V-Belt, Ground Drive
10 876020416	Pin Cotter 1/8 x 1 CAD	59 532140312	Keeper, Center Span
15 874490544	Bolt Hex FLGHD 5/16-18 Gr. 5	60 532105730	Keeper Belt Engine
16 873800500	Nut Lock Hex W/Ins. 5/16-18 Unc P	61 817490612	Screw Thdrol. 3/8-16 x 3/4 Ty. TT
17 532126197	Washer 1-1/2 OD x 15/32 IDX .250	62 532123533	Cover, Pedal
18 874780616	Bolt Fin Hex 3/8-16 Unc x 1 Gr. 5	63 532140189	Pulley, Clutch Electric
19 873800600	Nut Lock Hex W/Wsh 3/8-16 Unc	65 810040700	Washer
20 871170768	Bolt Hex 7/16-20 x 4-1/4 Ga. 5	68 532121218	Keeper Belt Engine
21 532140845	Knob, Deluxe	69 532142432	Screw
22 532145627	Rod, Brake Hydro	71 532140158	Strap Torque Lh Hydro
23 532137141	Bracket, Asm Clutch Mtg	73 532140157	Strap Torque Rh Hydro
24 873350600	Nut	74 532121199	Spacer, Split
25 532106888	Spring, Brake Rod	75 532121749	Washer 25/32 x 1-1/4 x 16 Gauge
26 819131316	Washer	76 812000001	E-Ring
27 876020412	Pin Cotter 1/8 x 3/4 CAD.	77 532123583	Key, Square
28 532145204	Rod, Parking Brake	78 532121748	Washer 25/32 x 1-5/8 x 16 Gauge
29 532071673	Cap, Parking Brake	81 532140154	Shaft Asm. Cross Hydro
30 532130807	Bracket, Transaxle	82 532123782	Spring Torsion T/A
31 532127275	Keeper Belt Lh	83 819171216	Washer 17/32 x 3/4 x 16 Ga.
32 874760512	Bolt Hex Hd 5/16-18 Unc x 3/4	84 532140548	Rod, Tie Hydro
33 872140506	Bolt Rdhd Sqnk 5/16-18 UNC x 3/4	86 532071208	Bushing Rod Steering 629/632 ID
34 532149001	Shaft, Foot Pedal	87 819212016	Washer 21/32 x 1-1/4 x 16 Ga.
35 532120183	Bearing, Nylon	88 812000008	Ring Klip #5304-62
36 819211616	Washer	89 532139988	Console, Shift
37 532124963	Pin, Roll	91 874780536	Bolt Fin Hex 5/16-18 x 2-1/4
38 532123674	Pulley, Idler, Flat	92 874780524	Bolt Fin Hex 5/6-18 Unc x 1-1/2
39 874760644	Bolt	93 532142564	Line Fuel Hydro 4"
40 532124965	Spacer, Split	94 532140462	Fan, Hydro 7"
41 532109070	Keeper, Belt Retainer	95 532144643	Control Asm Bypass Hydro
42 819131312	Washer 13/32 x 13/16 x 12 Gauge	96 532124788	Retainer Spring 1" Zinc/Cad
43 819111012	Washer 11/32 x 5/8 x 12 Ga.	97 532140469	Keeper Belt Rh Hydro
44 532105706	Bearing, Nylon	98 873510600	Nut Keps Hex 3/8-16 Unc
45 532110812	Washer, Hardened	100 819111216	Washer 11/32 x 3/4 x 16 Ga.
46 812000039	Ring, Klip	102 532141322	Washer Belleville .501D x 1.50D
47 532127783	Pulley, Idler, V-Groove	103 873940800	Nut Nylon Insert 1/2-20 Unf.
48 532123789	Bellcrank Assembly	104 532140156	Arm, Control Hydro
49 532123205	Retainer, Belt	105 871070516	Screw Cap Hex 5/16 x 18 x 1
50 874760624	Bolt	106 874780520	Bolt Fin Hex 5/16-18 Unc x 1-1/4
51 873680600	Nut		

**NOTE:** All component dimensions give in U.S. inches.  
1 inch = 25.4 mm.

# REPAIR PARTS

TRACTOR - MODEL NO. YTH180 (954830134A)

## STEERING ASSEMBLY





**REPAIR PARTS**

**TRACTOR - MODEL NO. YTH180 (954830134A)**

**STEERING ASSEMBLY**

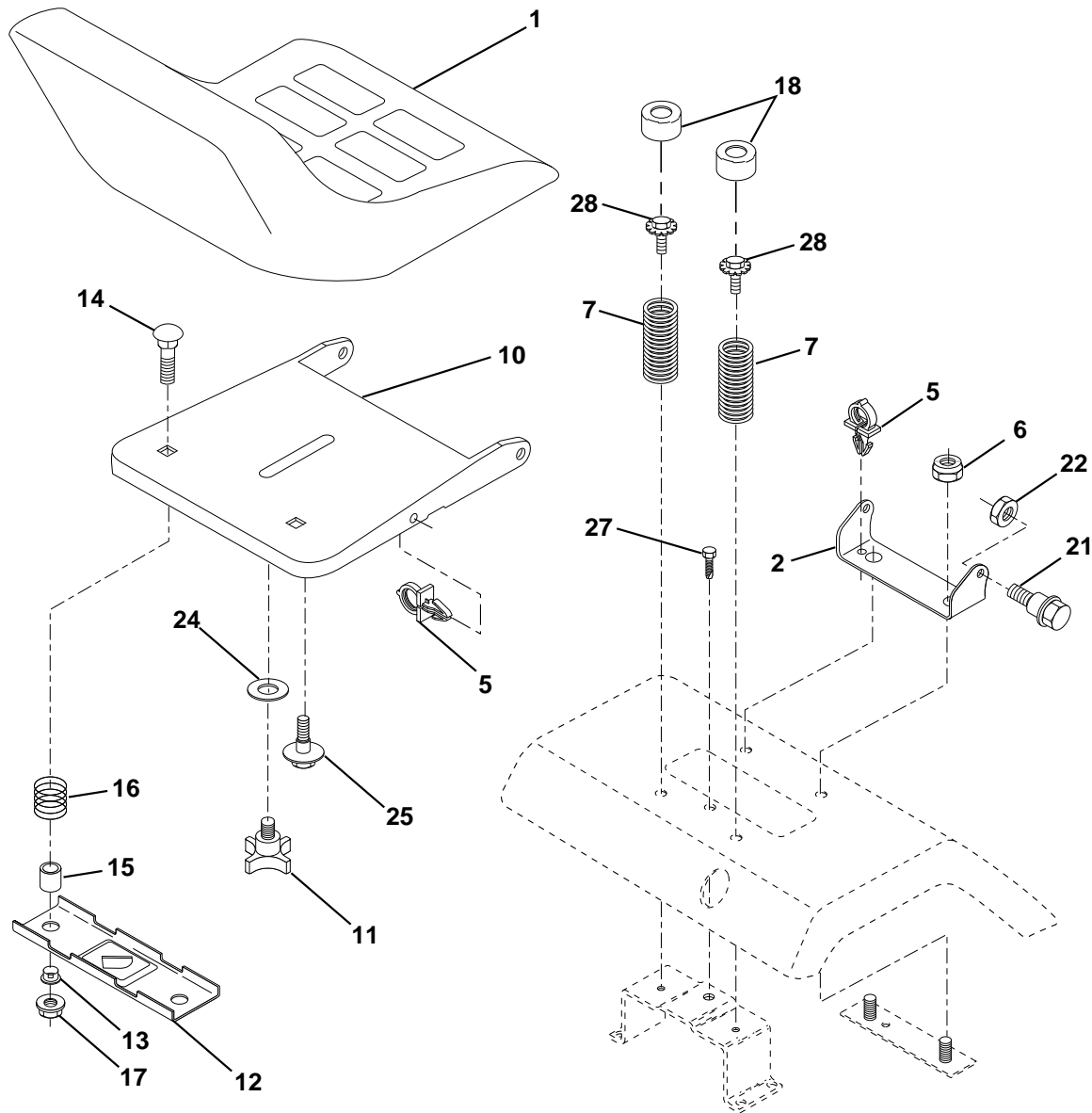
KEY NO.	PART NO.	DESCRIPTION
1	532124415	Wheel Steering Auto Grey
2	532142033	Axle Asm Fr
3	532135227	Spindle Asm LH
4	532135228	Spindle Asm RH
5	532124931	Bearing Race Thrust Harden
6	532121748	Washer 25/32 X 1-5/8 X 16 Ga
7	819272016	Washer 27/32 X 1-1/4 X 16 Ga
8	812000029	Ring Klip #t5304-75
9	532124937	Bearing Col Strg Blk
10	532130468	Link Drag Sol Ball Jt 20 064
11	810040600	Washer Lock Hvy Hlcl Spr 3/8
12	873610600	Nut Fin Hex 3/8-24 Unf
13	532110438	Spacer Bearing Axle Front
14	874011056	Bolt Hex 5/8-11 Unc X 3-1/2
15	873901000	Nut Lock Flange 5/8-11 Unc
16	532132624	Pin Axle 5/8 X 1 55/1 54 Lg
17	532140176	Shaft Asm Strg Private Label
18	532057079	Washer Thrust 515x 750x 033
19	532124035	Support Shaft
20	532126684	Washer Shim 1/4 X 5/8 X 062
21	810040400	Washer Lock Hvy Helical 1/4
22	871070410	Screw Hex Socket 1/4-20 X 5/8
23	532127501	Shaft Asm Pittman
24	532109816	Nyliner Snap In
25	532124036	Bracket Steering
27	532136874	Gear Sector
29	817490612	Screw Thdrol 3/8-16x3/4 Ty-tt
32	532130467	Rod Tie Ball JT. Sol. 19.75 Elec.
33	819111216	Washer 11/32 x 3/4 16 Ga.
34	810040500	Washer Lock, Hvy., Hlcl., Spr 5/16
35	873810500	Locknut 5/16-24 Unf 3847
36	532102803	Bushing Strg
37	817431008	Screw Slftp #10-16 X 1/2 Ty-b
38	532124416	Insert Cap Strg Wh Au
39	819133808	Washer 13/32 X 2-3/8 X 8 Ga
40	532124701	Nut Lock Center 3/8-24unf
41	532104820	Adaptor Wheel Strg 640/ 635id
42	532150390	Boot Steering Shaft
43	532121749	Washer 25/32 X 1 1/4 X 16 Ga
44	532146690	Shaft Extention Steering
46	532121232	Cap Spindle Fr Top Blk
47	532124836	Fitting Grease
50	817490412	Screw Hex Wsh Thdrol 1/4-20 x 3/4
51	873800500	Nut Lock Hex w/Ins 5/16-18
54	874780520	Bolt Fin Hex 5/16-18 Unc x 1-1/4
55	532140285	Clip Tinnerman
57	532140172	Support Shaft Steering
62	532149686	Kit, Steering Assembly

**NOTE:** All component dimensions given in U.S. inches.  
1 inch = 25.4 mm.

**REPAIR PARTS**

**TRACTOR - MODEL NO. YTH180 (954830134A)**

**SEAT ASSEMBLY**



**KEY PART  
NO. NO.**

**DESCRIPTION**

1	532140840	Seat 2500/1516 H AYP PL Gry/blk
2	532140551	Bracket Pivot Seat Quick Conn
5	532145006	Clip Push-in Hinged
6	873800600	Nut Lock Hex W/Ins. 3/8-16 Unc
7	532124181	Spring Seat Cprsn 2 250 Blk Zi
10	532140552	Pan Seat Embossed Quick Connec.
11	532120068	Knob Seat 1/2-13unc Blk
12	532121246	Bracket Mounting Switch
13	532121248	Bushing Snap Blk Nyl 50 Id
14	872050411	Bolt Rdhd Sht Nk 1/4-20x1-3/8
15	532121249	Spacer Split 28x 88 Yel Zinc

**KEY PART  
NO. NO.**

**DESCRIPTION**

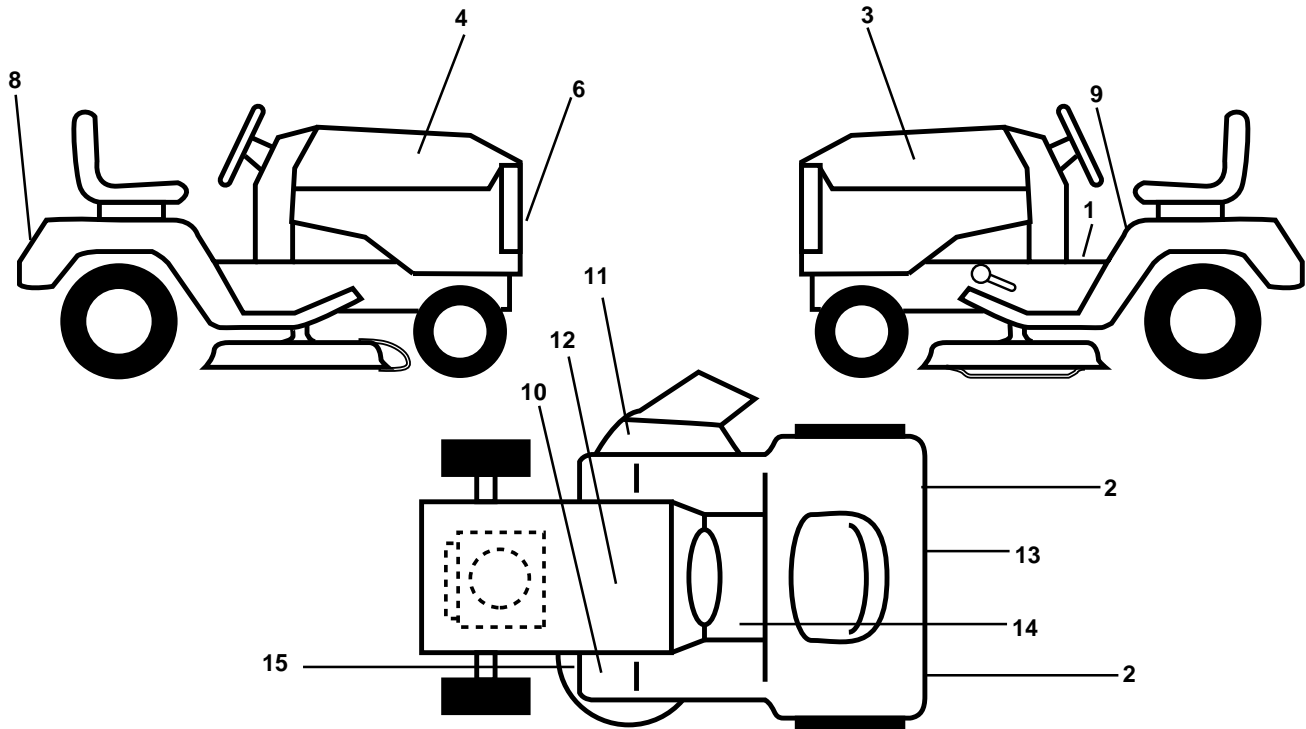
16	532123740	Spring Cprsn 1 310 Blk Pnt
17	532123976	Nut Lock 1/4 Lge Flg Gr 5 Zinc
18	532124238	Cap Spring Seat
21	532139888	Bolt Shoulder 5/16-18 Unc Blkz
22	873680500	Nut Crown Lock 5/16-18
24	819171912	Washer 17/32 X 1-3/16 X 12 Ga
25	532127018	Bolt Shoulder 5/16-18 X 62
27	817490608	Screw Thdrol 3/8 - 16 x 1/2 Ty-TT
28	532150176	Bolt Hex Washer Hd 5/16-18 Unc x 3/4

**NOTE:** All component dimensions given in U.S. inches.  
1 inch = 25.4 mm

**REPAIR PARTS**

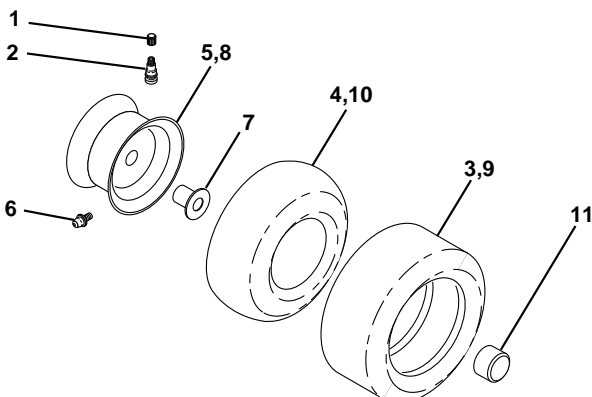
**TRACTOR - MODEL NO. YTH180 (954830134A)**

**DECALS**



KEY NO.	PART NO.	DESCRIPTION	KEY NO.	PART NO.	DESCRIPTION
1	532140820	Decal Instruction Dash Eng/Fr P/L	--	532138311	Decal Handle Lft Height Adjust
2	532106202	Reflector Tail Light Red/Amber	--	532145246	Pad FTREST RBR SQ Generic 95
3	532150728	Decal Hood LH YTH 180 Husq P/L	--	532145247	Fastener Pop In Footrest (8per)
4	532150727	Decal Hood RH YTH 180 Husq P/L	--	532151288	Manual Owner's (English)
6	532150616	Decal Grille	--	532151289	Manual Owner's (French)
8	532150617	Decal Fender Husq	Available accessories not included with tractor:		
9	532133795	Decal Caution Fender Eng/fr	--	LBD48	42" Snow Blade
10	532101892	Decal Clutch/brake Eng/fr	--	LSB42	40" Snow Thrower
11	532137259	Decal Warning Multi-Language	--	LC05	33lb. Wheel Wts. (Pair)
12	532145005	Decal Bat Dan/Poi P/L Sym WPN	--	LC06	Tire Chains (20 x 10-8)
13	532142341	Decal Drawbar CNTRL MVT HYD LT	--	CL46	Grass Catcher
14	532142337	Decal SDL COLD START HYD E/F			
15	532139346	Decal V-Belt Schematic 44"/46"/50" Vent			

**WHEELS & TIRES**



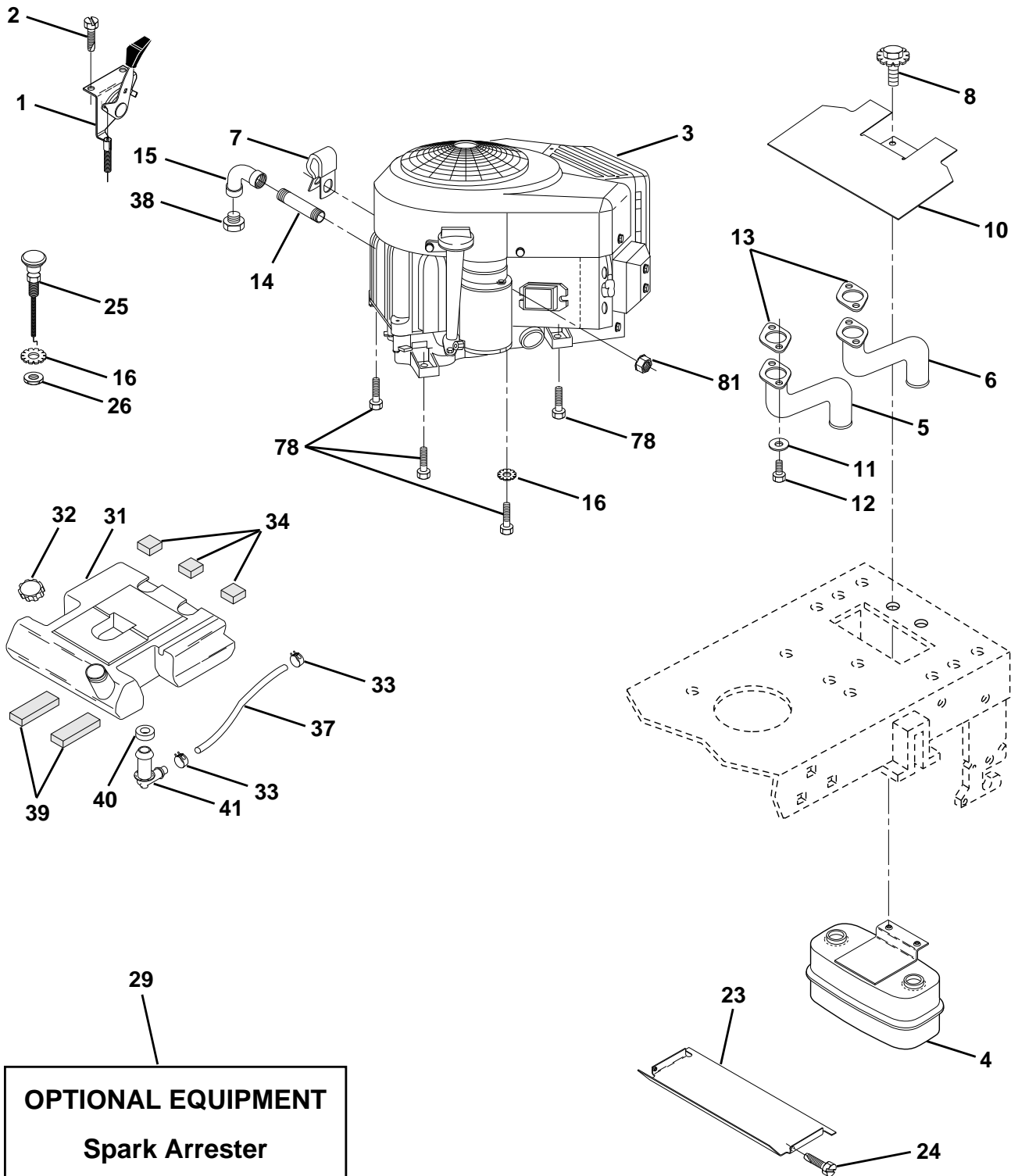
KEY NO.	PART NO.	DESCRIPTION
1	532059192	Cap Valve Tire
2	532065139	Stem Valve
3	532106222	Tire F Ts 15 X 6 0 - 6 Service
4	532059904	Tube Front (Service Item Only)
5	532138336	Rim Asm 6"front Silver Service
6	532124957	Fitting Grease (Front Wheel Only)
7	532124959	Bearing Flange (Front Wheel Only)
8	532138337	Rim Asm 8"rear Silver Service
9	532122082	Tire R Ts 20x10-8 C Service
10	532124926	Tube Rear (Service Item Only)
11	532104757	Cap Axle Blk 1 50 X 1 00
--	532144334	Sealant, Tire ( 10 oz. Tube)

**NOTE:** All component dimensions given in U.S. inches  
1 inch = 25.4 mm

# REPAIR PARTS

TRACTOR - MODEL NO. YTH180 (954830134A)

## ENGINE



**REPAIR PARTS**

**TRACTOR - MODEL NO. YTH180 (954830134A)**

**ENGINE**

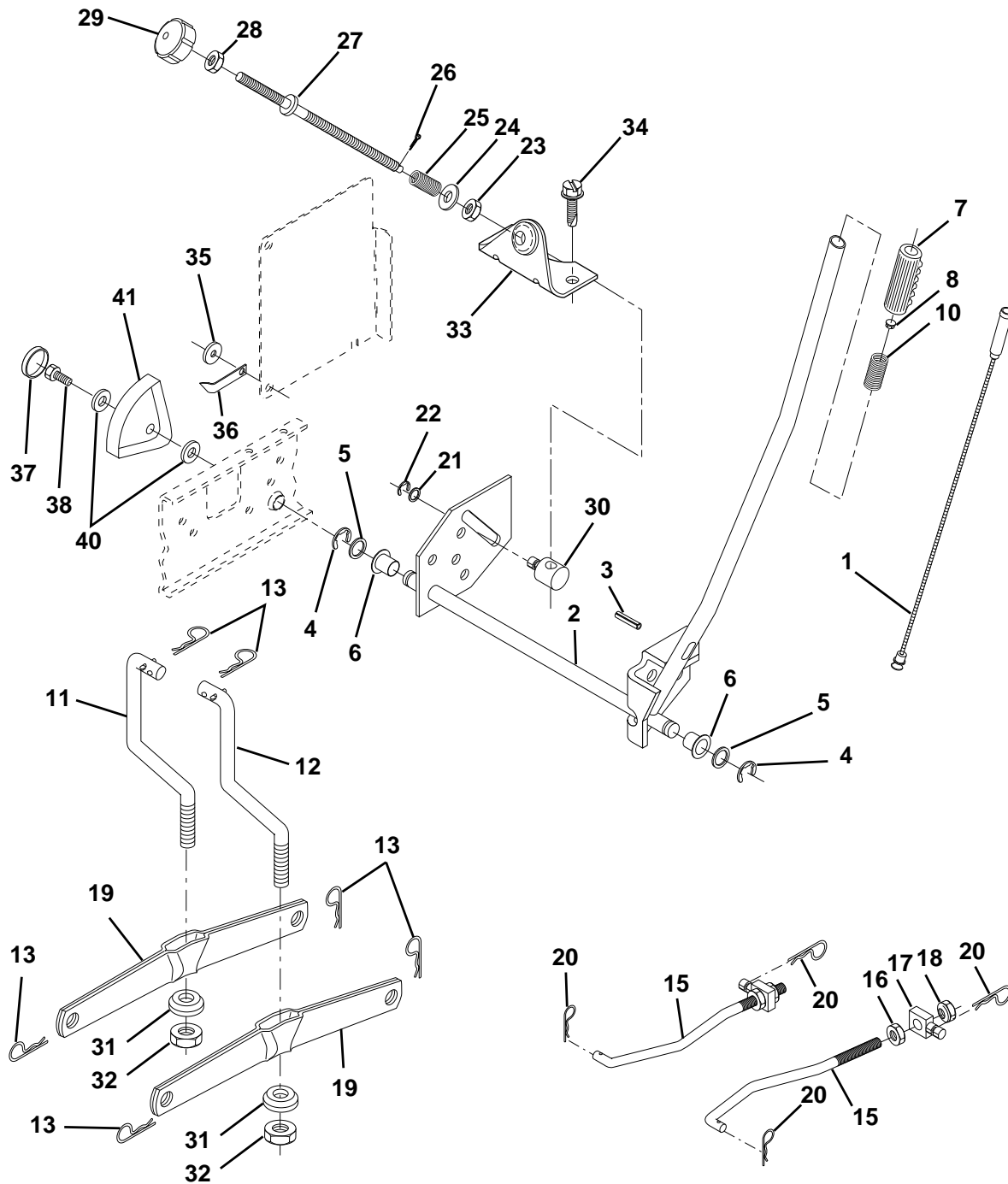
KEY NO.	PART NO.	DESCRIPTION
1	532148875	Control Throt. 36" Lh. Inv180 Flg
2	817720410	Screw Hex Thd Cut 1/4-20x5/8 T
3	-----	Engine Model No. 350777
4	532149723	Muffler Asm., Twin Lo-Tone
5	532122434	Tube Manifold LH
6	532122435	Tube Manifold RH
10	532145552	Shield Heat LT
11	-----	Washer Lock Hvy Hlcl 1/4 (Order from Engine Manufacturer)
12	-----	Bolt, Fin Hex 1/4-20 x 3/4 (Order from Engine Manufacturer)
13	-----	Muffler Gasket (Order from Engine Manufacturer)
14	813280336	Nipple Pipe 3/8 Npt X 4-1/2"
15	813200300	Elbow Std 90 Degree 3/8-18 Npt
16	811050600	Washer Lock Ext Tooth 3/8
23	532128953	Shield Heat Browning LT/YT
24	817021008	Screw Tap Hex #10-24unc X 1/2
25	532145996	Choke Control 37"
26	873610600	Nut, Fin Hex 3/8-24 Unf
29	532137180	Kit Spark Arrestor (Flat Scrn)
31	532141069	Tank Fuel 3 50 Rear Yt/Gt
32	532140527	Cap Asm Fuel W/sym Vented
33	532123487	Clamp Hose Blk
34	532106082	Pad, Spacer
35	817490512	Screw Thdrol 5/16-18 x 3/4
36	819132012	Washer 13/32 x 1-1/4 x 12 Ga.
37	532124923	Line Fuel 7.5"
38	-----	Plug Oil Drain (Order From Engine Manufacturer)
39	532109227	Pad, Idler
40	532124952	Bushing
41	532139277	Stem Tank Fuel
78	817490620	Screw Thdrol 3/8-16 x 1-1/4 TYTT
81	532128861	Nut Flange 1/4-20 Starter Nut

**NOTE:** All component dimensions given in U.S. inches  
1 inch = 25.4 mm

# REPAIR PARTS

TRACTOR - MODEL NO. YTH180 (954830134A)

## MOWER LIFT



**REPAIR PARTS**

**TRACTOR - MODEL NO. YTH180 (954830134A)**

**MOWER LIFT**

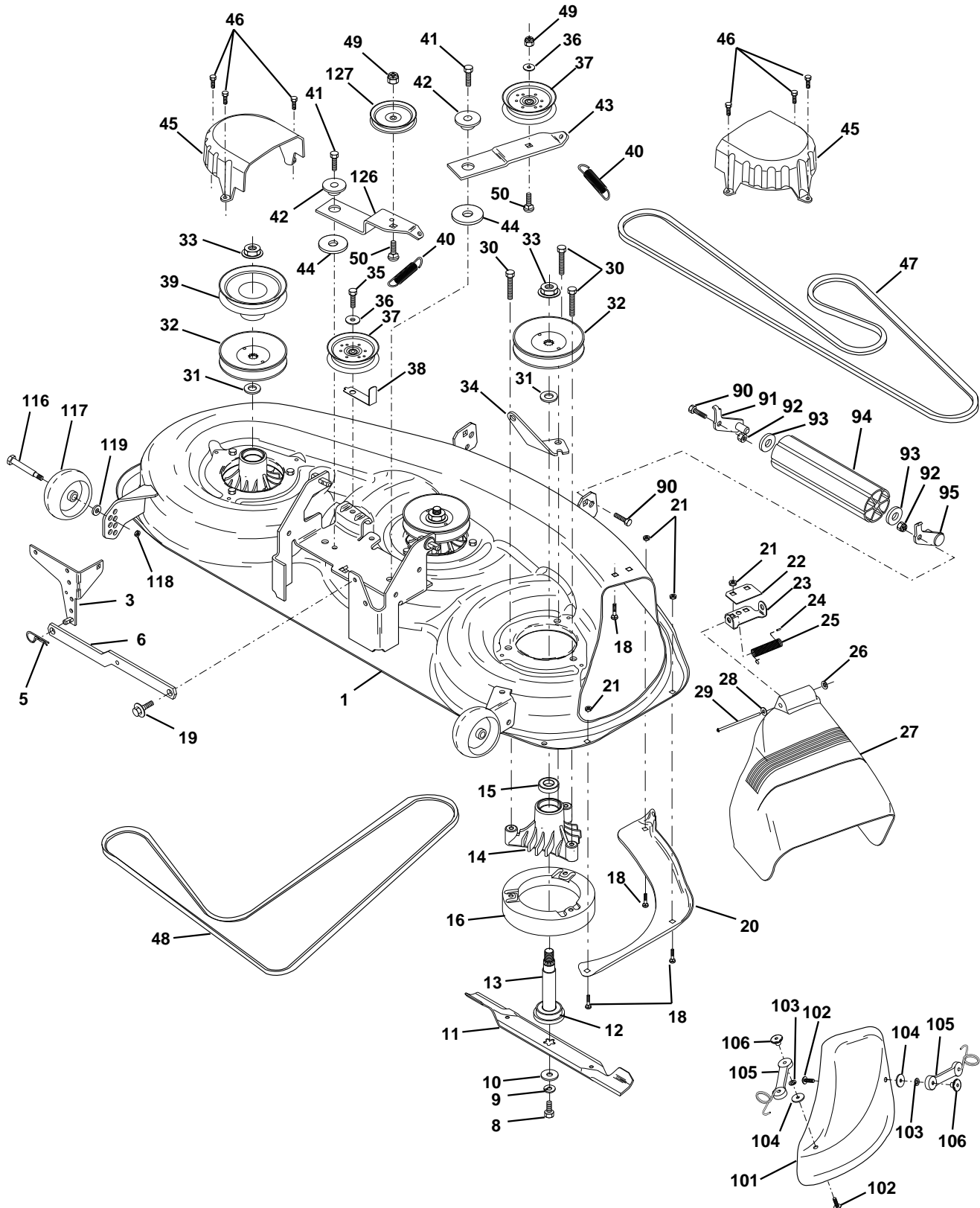
KEY NO.	PART NO.	DESCRIPTION
1	532136973	Wire Asm Inner W/plunger 17.32
2	532145117	Shaft Asm Lift RH
3	532105767	Pin Groove 1 500 Zinc
4	812000002	E Ring #5133-62
5	819211621	Washer 21/32 X 1 X 21 Ga
6	532120183	Bearing Nylon Blk 629 Id
7	532125631	Grip Handle Fluted Blk
8	532124526	Button Plunger Black
10	532122512	Spring Cprsn 3 750 Oiled
11	532139865	Link Lift LH Fixed Length
12	532139866	Link Lift RH Fixed Length
13	532124670	Retainer Spring
15	532127218	Link Front
16	873350800	Nut Jam Hex 1/2-13 Unc
17	532130171	Trunnion Blk Zinc
18	873800800	Nut Lock W/wsh 1/2-13unc
19	532139868	Arm Suspension Rear
20	532124660	Retainer Spring
21	819151216	Washer 15/32 X 3/4 X 16 Ga
22	812000037	Ring Klip #t5304-37
23	532110807	Nut Special
24	819131016	Washer 13/32 X 5/8 X 16 Ga
25	532124874	Spring 2-1/8"
26	876020308	Pin Cotter 3/32 X 1/2
27	532126971	Rod Adj Lift Zinc 4.79 Wrk Lg
28	873350600	Nut Hex Jam 3/8-16 Unc
29	532138057	Knob Inf 3/8-16 Unc Blk W/sym
30	532110810	Trunnion Dp Stop Dbl Thds PLT
31	532140302	Bearing Pvt Lift Spherical
32	873540600	Nut Crownlock 3/8-24
33	532140168	Bracket Stop Inf. Hgt.
34	817490608	Screw Thdrol. 3/8-16 x 1/2 TY-TT
35	532120529	Washer Nylon .44 x .75 x .032
36	532123933	Pointer Height ind
37	532123935	Plug Hole Blk 1.485/1.515 Dia.
38	817490512	Screw Thdrol 5/16-18 x 3/4
40	819112410	Washer 11/32 x 1-1/2 10 Ga.
41	532123934	Scale Ind. Height Blk.

**NOTE:** All component dimensions given in U.S. inches  
1 inch = 25.4 mm

# REPAIR PARTS

TRACTOR - MODEL NO. YTH180 (954830134A)

## MOWER DECK





**REPAIR PARTS**

**TRACTOR - MODEL NO. YTH180 (954830134A)**

**MOWER DECK**

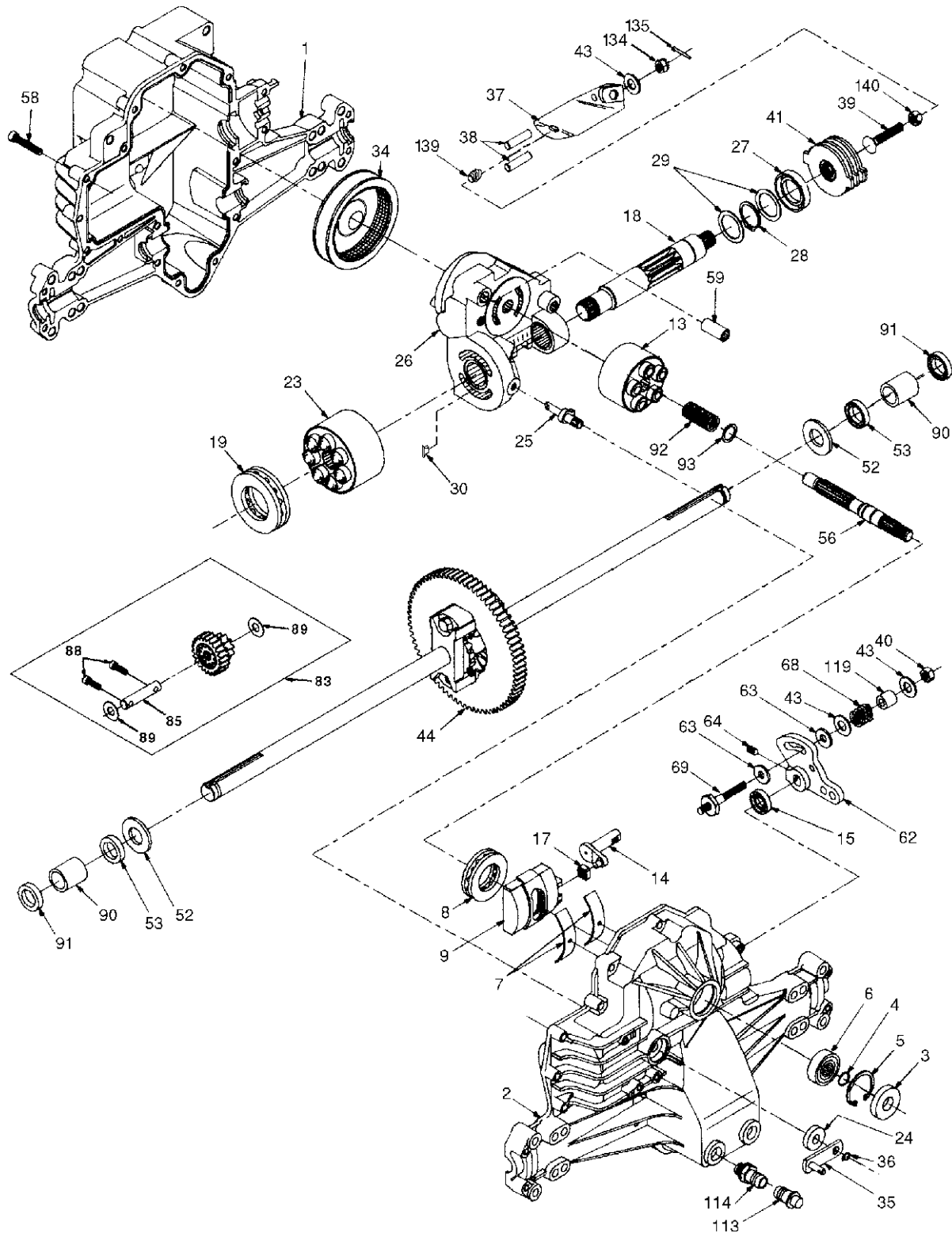
KEY NO.	PART NO.	DESCRIPTION	KEY NO.	PART NO.	DESCRIPTION
1	532145008	Deck Asm., Mower 46"	40	532137273	Spring, Secondary 44/46/50 Vent
3	532138457	Bracket Asm., Sway Bar	41	817490620	Screw, Thdroll 3/8-16 x 1-1/4 Tytt
5	532004939	Retainer Spring	42	532122052	Spacer, Retainer
6	532130832	Arm, Suspension, Rear (Sway Bar)	43	532144949	Arm, Idler Secondary
8	532850857	Bolt, Patched 3/8-24 x 1-1/4 Gr. 8	44	532133943	Washer, Hardened
9	810030600	Washer, Lock Hvy., Unplated 3/8	45	532145059	Cover, Mandrel Deck
10	532140296	Washer, Hard Blade, Mower Vented	46	532137729	Screw, Thdroll. 1/4-20 x 5/8
11	532145708	Blade, 46" Mower Deck ,Mulching	47	532144959	V-Belt, Mower, Secondary
12	532110485	Bearing, Ball, Mandrel	48	532148763	V-Belt, Mower, Primary
13	532137553	Shaft Asm. w/Lower Bearing (Includes Key No. 12)	49	873680600	Nut, Crownlock 3/8-16 UNC
14	532137152	Housing, Mandrel	50	532110612	Bolt, Carriage 3/8-16 x 1-1/2 Gr. 5
15	532110485	Bearing, Ball, Mandrel	90	874760616	Bolt, Fin., Hex 3/8-16 Unc x 1
16	532140329	Stripper, Mower Round	91	532132274	Bracket Asm., Noseroller Lh
18	872140505	Bolt, Carriage 5/16-18 x 5/8	92	873800600	Nut, Lock, Hex W/Ins.
19	532132827	Bolt, Hex Head, Shoulder 5/16-18	93	819171416	Washer 17/32 x 7/8 x 16 Ga.
20	532145055	Baffle, Vortex Mower 46"	94	532132264	Roller, Nose
21	873680500	Nut, Crownlock 5/16-18 UNC	95	532132273	Bracket Asm., Noseroller Rh
22	532134753	Stiffener, Bracket	101	532145579	Cover, Mulching
23	532131267	Bracket, Deflector Mower 42/46"	102	871161010	Screw
24	532105304	Cap, Sleeve	103	810071000	Washer, Lock #10
25	532149287	Spring, Torsion, Deflector	104	819061216	Washer
26	532110452	Nut, Push	105	532130758	Latch Asm. Bagger
27	532145325	Shield, Deflector Mower	106	532002029	Nut, Weld
28	819111016	Washer 11/32 x 5/8 x 16 Ga.	116	532137644	Bolt, Shoulder
29	532131491	Rod, Hinge	117	532133957	Gauge Wheel, Donut
30	532138776	Screw, Hex Head, Thdroll	118	873930600	Nut, Centerlock 3/8-16 UNC
31	532129963	Washer, Spacer Mower Vented	120	819121414	Washer 3/8 x 7/8 x 14 Ga.
32	532129207	Pulley, Mandrel	126	532144948	Arm, Idler, Primary Deck 46"
33	532137266	Nut, Flg. Top Lock Cntr. 9/16	127	532146763	Pulley, Idler, V-Groove Dim. 4.25
34	532144945	Anchor, Spring Deck 46"	128	532137789	Shield, Idler
35	817490628	Screw, Thdroll 3/8-16 x 1-3/4 Tytt	129	532146881	Keeper, Belt, Idler 46"
36	819131316	Washer 13/32 x 13/16 x 16 Ga.	--	532147401	Mower Service 46" W/GWB Symbols
37	532131494	Pulley, Idler, Flat	--	532143651	Mandrel Asm., 44"/50" Service (Includes Key Numbers 8-10, 12-15, 31 and 33)
38	532137554	Keeper, Belt, Idler			
39	532144917	Pulley, Idler, Driven			

**NOTE:** All component dimensions given in U.S. inches.  
1 inch = 25.4 mm

# REPAIR PARTS

TRACTOR - MODEL NO. YTH180 (954830134A)

HYDRO TRANSAXLE - MODEL NUMBER 310-0650



## REPAIR PARTS

TRACTOR - MODEL NO. YTH180 (954830134A)

HYDRO TRANSAXLE - MODEL NUMBER 310-0650

KEY PART NO.	NO.	DESCRIPTION	KEY PART NO.	NO.	DESCRIPTION
1	532142930	Housing, Lower	43	532142884	Washer 7/16 x 7/8 x .060
2	532142931	Assembly, Upper Housing	44	532150829	Differential Assembly
3	532142932	Seal, Lip	52	532142991	Washer 3/4 x 1.5 x .13
4	532142928	Ring, Wire Retaining	53	532142961	Seal .75 x 1.25 x .250
5	532142933	Ring, Retaining	56	532142963	Shaft, Input
6	532142934	Bearing, Shaft Ball	58	532142964	Bolt 1/4-20 x 1.38
7	532142935	Bearing, Cradle	59	532142965	Pin .5 OD x .43 ID x .750
8	532150771	Bearing, Thrust 30 x 52 x 13	62	532142966	Arm, Control
9	532142937	Swashplate, Variable	63	532142967	Puck, Dampener
13	532142938	Block, Cylinder Assembly	64	532142920	Set Screw
14	532142939	Arm, Trunnion	68	532142969	Spring
15	532142940	Seal, Lip	69	532144610	Stud 5/16-24
17	532142941	Guide, Slot	83	532142971	Jackshaft Assembly
18	532150772	Shaft, Motor	85	532150806	Jackshaft
19	532150773	Bearing, Thrust 42 x 68 x 16	88	532142973	Screw, Cap
23	532142944	Block, Cylinder Assembly	89	532142974	Washer 7/16 x 1 x 1/2
24	532142945	Seal, Lip 10 x 25 x 7	90	532142975	Sleeve Bearing
25	532142946	Actuator, Bypass	91	532142976	Seal, Wiper
26	532150774	Center Section Assembly Kit	92	532142977	Spring, Block
27	532142948	Seal, Lip 26 x 42 x 8	93	532142978	Washer, Block Thrust
28	532142949	Ring, Retaining	113	532142917	Cap, Vent Assembly
29	532142950	Washer 26 x 35 x 1	114	532142918	Fitting, O-Ring Assembly
34	532142951	Oil Filter Element	119	532142980	Spacer
35	532142952	Arm, Bypass	134	532144607	Nut, Castle 5/16-24
36	532142953	Ring, Retaining	135	532144608	Pin, Cotter
37	532142954	Arm, Actuating	139	532150775	Spring, Compression
38	532142955	Pin, Actuating	140	532150776	Nut, Hex 5/16-24
39	532150777	Bolt 5/16-24 x 1-3/4			
40	532150778	Locknut, Hex 5/16-24 UNJC			
41	532142958	Brake Rotor/Stator Kit			

**NOTE:** All component dimensions given in U.S. inches  
1 inch = 25.4 mm