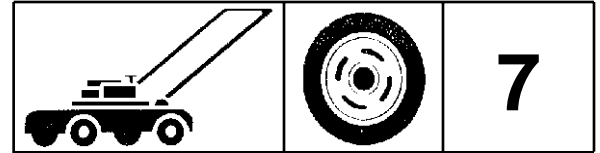
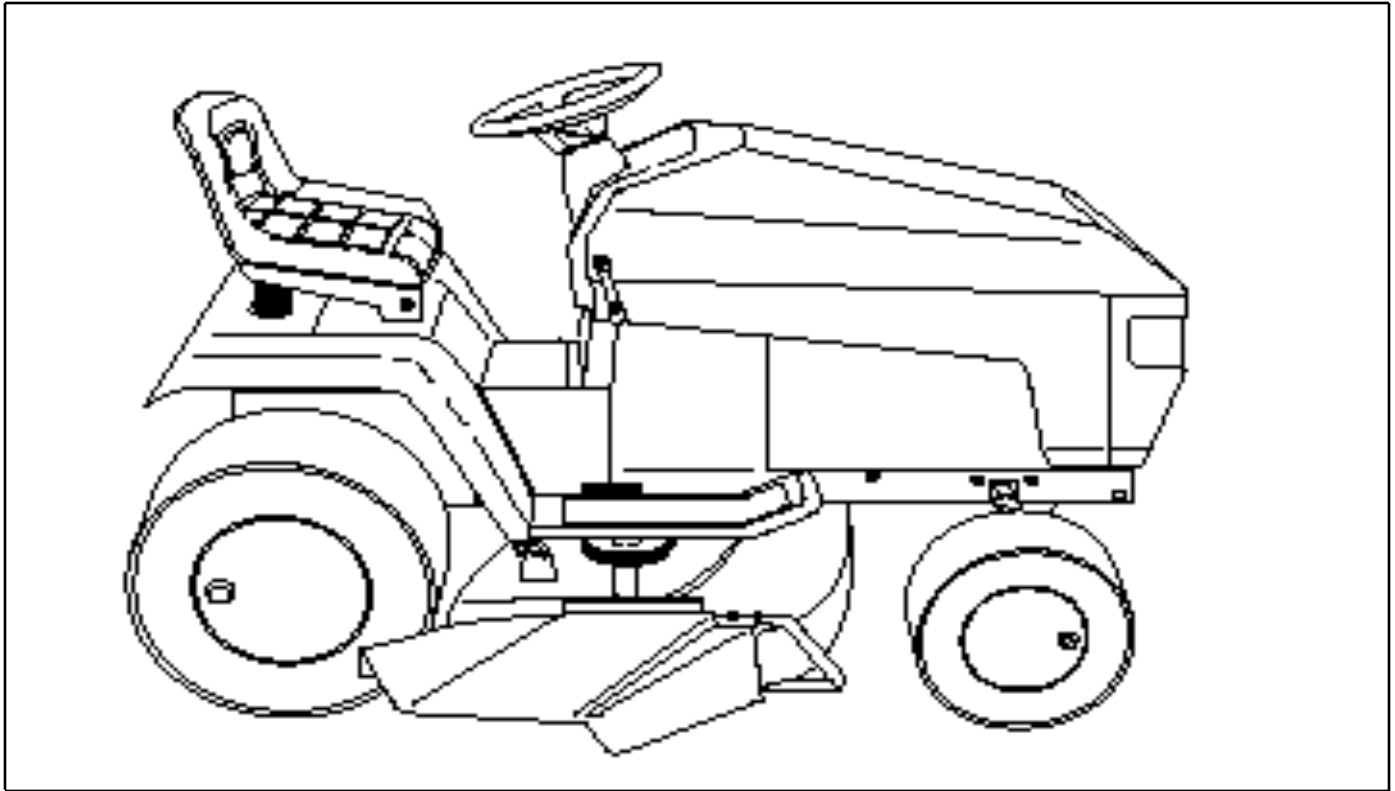


For Husqvarna Parts Call 606-678-9623 or 606-561-4983

 **Husqvarna**



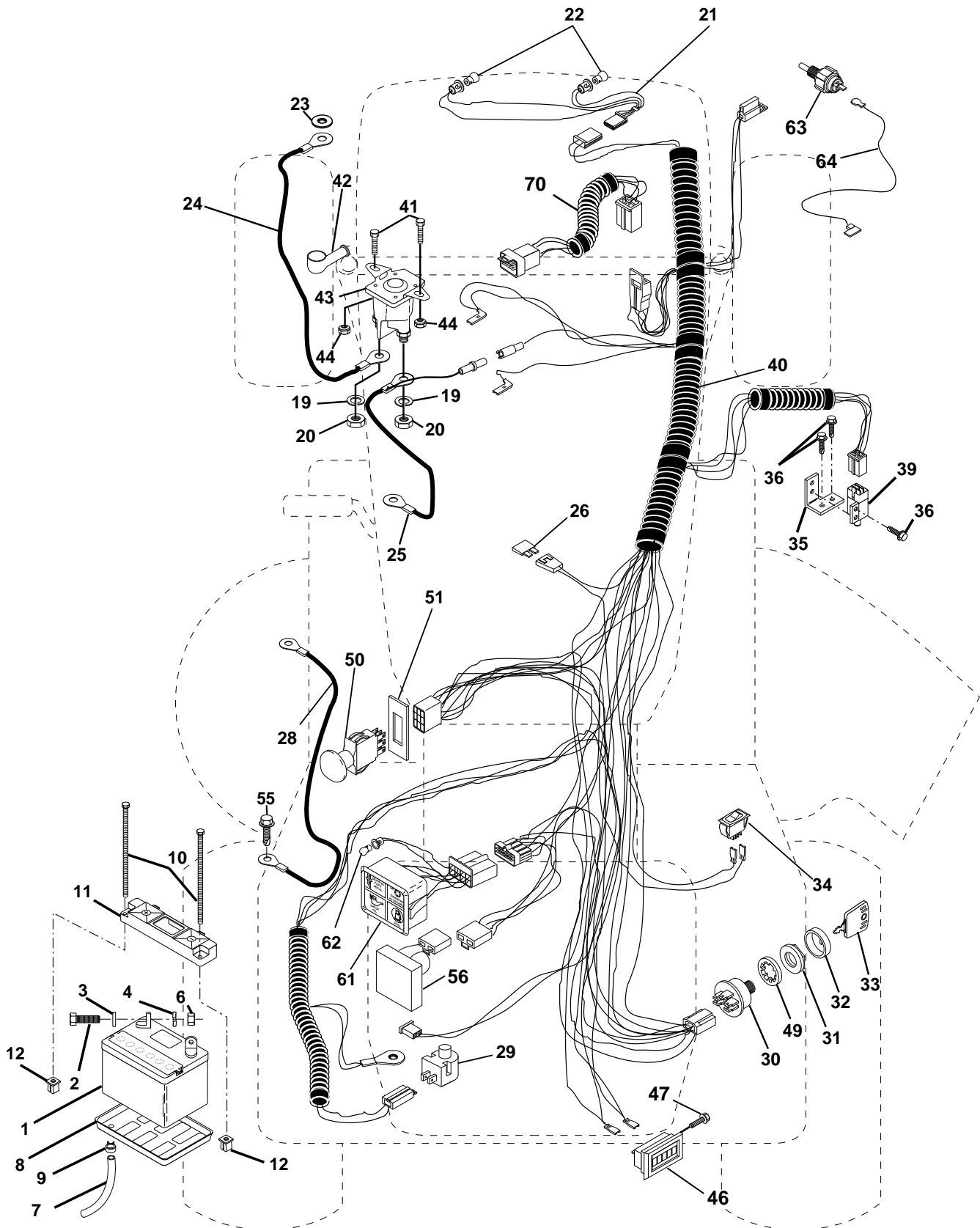
YTH 180



12.1994
PARTS LISTING

954001172B

For Husqvarna Parts Call 606-678-9623 or 606-561-4983
REPAIR PARTS
TRACTOR - MODEL NO. YTH180 (954001172B), PRODUCT NO. 954 00 11-72
ELECTRICAL



For Husqvarna Parts Call 606-678-9623 or 606-561-4983

REPAIR PARTS

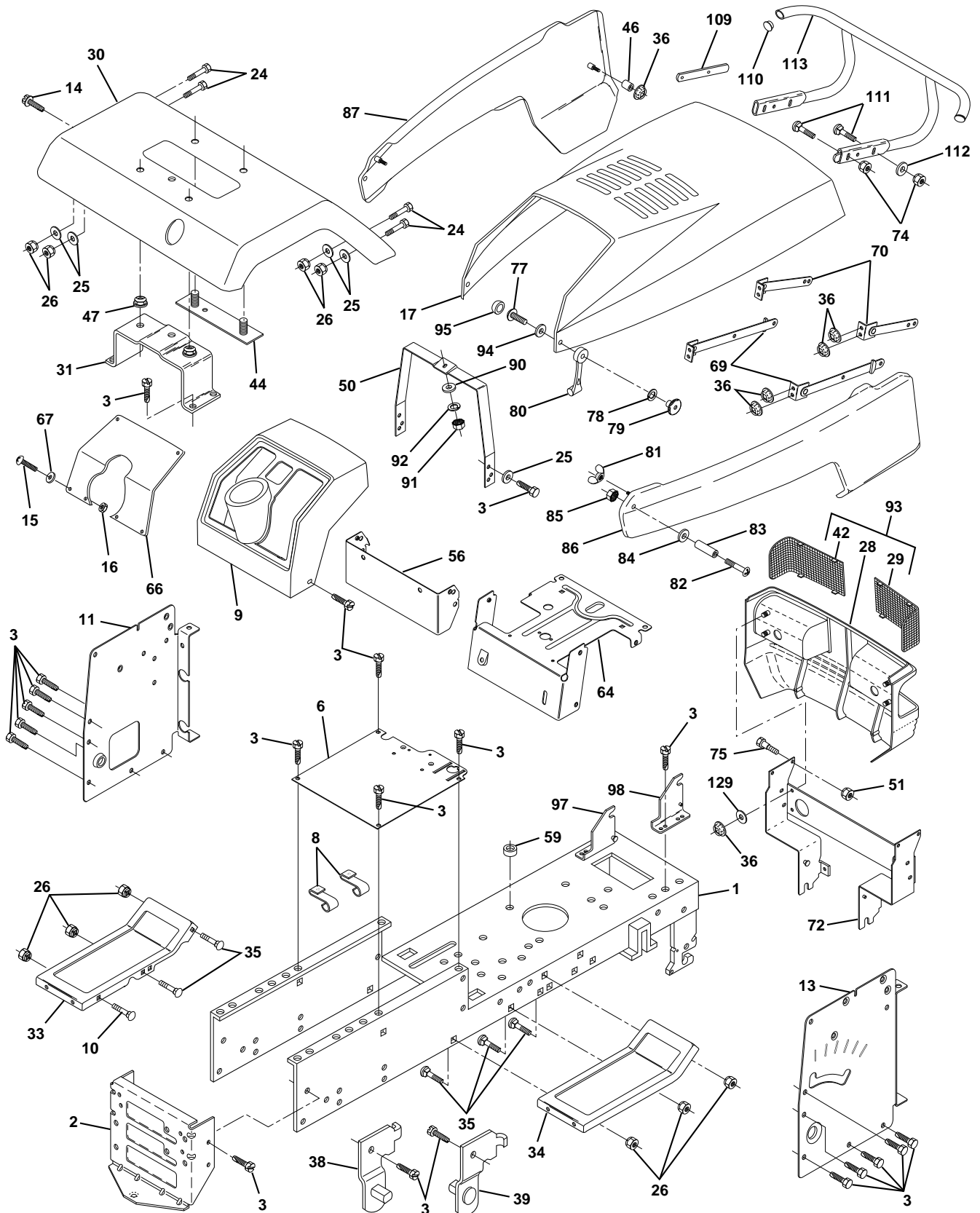
TRACTOR - MODEL NO. YTH180 (954001172B), PRODUCT NO. 954 00 11-72
ELECTRICAL

KEY NO.	PART NO.	DESCRIPTION
1	532144926	Battery
2	874760412	Bolt, Hex Head 1/4-20 x 3/4
3	819091016	Washer 9/32 x 5/8 x 16 Gauge
4	810040400	Washer, Lock 1/4
6	873220400	Nut, Hex 1/4-20
7	532007697	Tube, Tray, Battery
8	532124886	Tray, Battery
9	532109596	Clamp, Hose
10	532145211	Bolt, BTR FRT 1/4-20 x 7-1/2 Zinc
11	532145209	Holddown Battery Dash Mount
12	532145769	Nut, Push Nylon Battery FRT 1/4"
19	810090400	Washer, Lock 1/4
20	873350400	Nut, Hex, Jam 1/4-20
21	532136850	Harness, Socket, Light w/4152J
22	532004152	Bulb, Light
24	532124780	Cable, Battery
25	532146148	Cable, Starter, 6 Ga W/16 Wire 22" Red
26	532108824	Fuse
28	532145491	Cable, Battery
29	532121305	Switch, Plunger
30	532144921	Switch, Ignition
31	532140400	Nut, Ignition
32	532141226	Cover, Switch, Ignition
33	532140401	Key, Molded
34	532110712	Switch, Light
35	532108236	Bracket Switch Interlock
36	817021008	Screw, Hex Tap #10-24 UNC
39	532109553	Switch, Interlock (4 Terminal)
40	532146061	Harness, Ignition
41	871110412	Bolt, Hex 1/4-20 x 3/4
42	532131563	Cover, Terminal
43	532145673	Solenoid
44	873510400	Nut, Keps Hex 1/4-20 UNC
46	532110940	Meter, Hour
47	817011008	Screw #10-24 x 1/2
49	811151000	Washer Lock Internal Tooth 5/8
50	532140404	Switch, P.T.O.
51	532140405	Ring, Retainer, Pto
55	817490508	Screw Thdrol 5/16-18 x 1/2 TYT
56	532127385	Sensor, Low Voltage
61	532126519	Package, Light
62	532110143	Bulb, Light Package
63	532142320	Switch, Engine Oil Pressure
64	532142321	Wire Lead Sentry Oil Vanguard
70	532142047	Harness, Engine

NOTE: All component dimensions given in U.S. inches
1 inch = 25.4 mm

For Husqvarna Parts Call 606-678-9623 or 606-561-4983 REPAIR PARTS

TRACTOR - MODEL NO. YTH180 (954001172B), PRODUCT NO. 954 00 11-72
CHASSIS AND ENCLOSURES



For Husqvarna Parts Call 606-678-9623 or 606-561-4983

REPAIR PARTS

TRACTOR - MODEL NO. YTH180 (954001172B), PRODUCT NO. 954 00 11-72

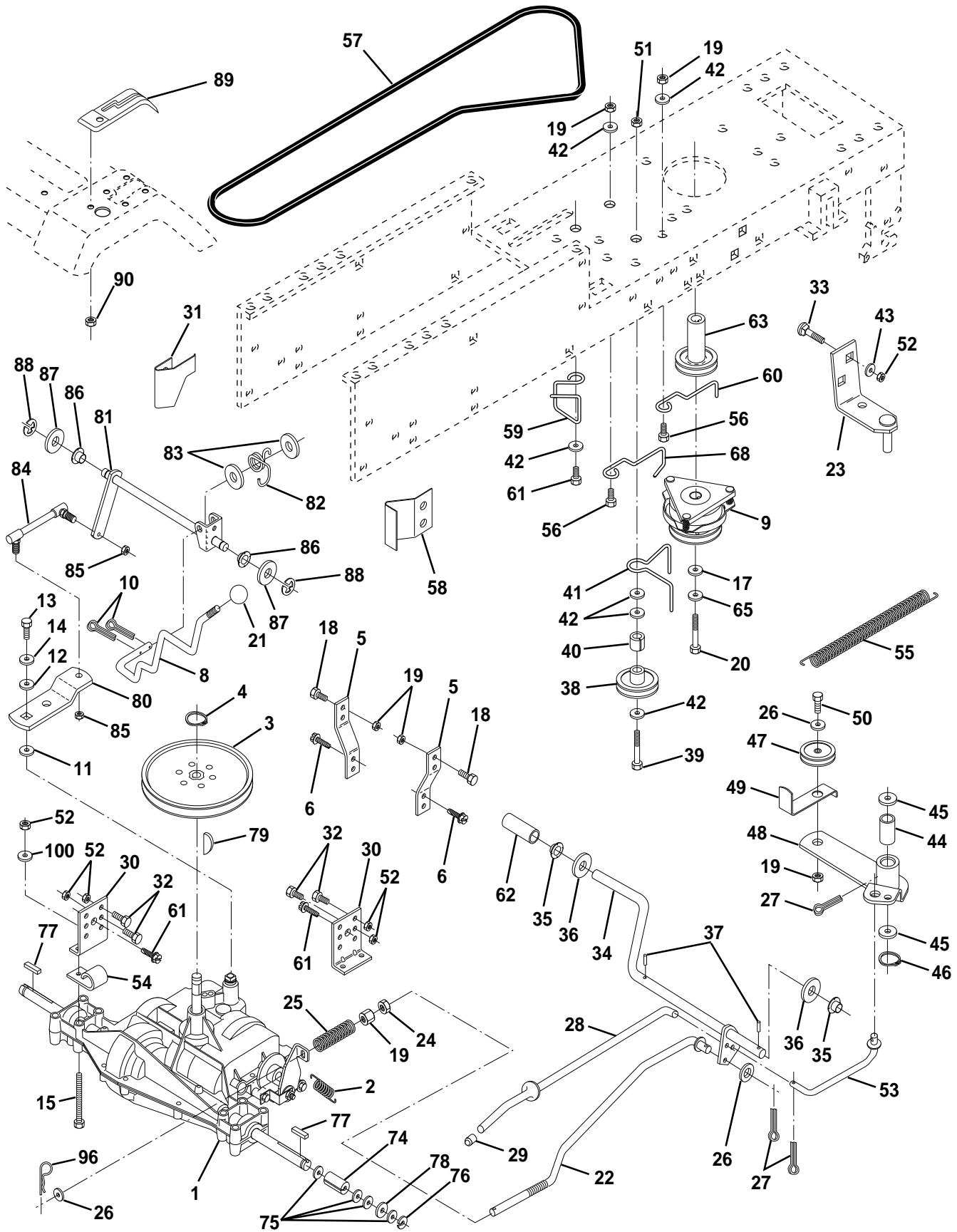
CHASSIS AND ENCLOSURES

KEY PART NO. NO.	DESCRIPTION	KEY PART NO. NO.	DESCRIPTION
1	532145501 Chassis	69	532106784 Strap Assembly, Hinge, Rear
2	532140356 Drawbar	70	532104618 Strap Assembly, Hinge, Front
3	817490612 Screw, Thdrol 3/8-16 x 3/4	72	532124574 Support Assembly, Grille
6	532145206 Saddle	74	873680600 Nut Crownlock 3/8-16 UNC
8	532126471 Clip, Insulator	75	532123481 Bolt, Shoulder 1/4-20 UNC
9	532140452 Dashboard	77	874191008 Screw, Machine, Cross Pan Head #10-24 x 1/2
10	872140608 Bolt, Carriage 3/8-16 UNC x 1	78	810071000 Washer, Lock #10
11	532145218 Dash Panel, LH	79	532125004 Nut, Weld
13	532145217 Dash Panel, RH	80	532109808 Latch, Chute
14	817490608 Screw, Thd., Roll. 3/8-16 x 1/2	81	532123198 Wing Nut, Plastic 1/4-20
15	874180512 Screw, Machine 5/16-18 UNC x 3/4	82	874981020 Screw, Machine, Cross Pan Head #10-24 x 1-1/4
16	873510500 Nut, Hex, Keps 5/16-18 UNC	83	532007206 Spacer, Split #10 x 3/4
17	532125454 Hood	84	819070818 Washer 7/32 x 1/2 x 18 Gauge
24	874780616 Bolt Fin Hex 3/8-16 UNC x 1 Gr. 5	85	873731000 Nut, Hex, Keps #10-24 UNC
25	819131312 Washer 13/32 x 13/16 x 12 Gauge	86	532143365 Side Panel, RH
26	873800600 Nut Lock Hex W/Ins. 3/8-16 UNC	87	532143364 Side Panel, LH
28	532127325 Grille	90	819091216 Washer 9/32 x 3/4 x 16 Gauge
29	532124251 Lens, Headlight, RH, Smoked	91	873320400 Nut Fin Hex 1/4-20 UNC
30	532141449 Fender	92	810040400 Washer, Lock, Hvy Hlcl 1/4
31	532137113 Bracket Fender	93	532127320 Grill Assembly
33	532147203 Footrest, LH	94	532110357 Washer, Cap
34	532147202 Footrest, RH	95	532110356 Cap, Black
35	872110606 Bolt, Carriage 3/8-16 x 3/4	97	532110853 Pivot Bracket Assembly, LH
36	532108067 Nut Pal	98	532110852 Pivot Bracket Assembly, RH
38	532139886 Pivot Bracket Assembly, Rear, LH	109	532141461 Bracket Extension Bumper
39	532139887 Pivot Bracket Assembly, Rear, RH	110	532143679 Plug Plastic
42	532124250 Lens, Headlight, LH, Smoked	111	872140610 Bolt Carriage 3/8-16 x 1-1/4
44	532140675 Strap, Fender	112	819131316 Washer 13/32 x 13/16 x 16 Ja.
46	532127316 Retainer	113	423141460 Bumper Asm w/Poly Bag
47	532105531 Nut, Push, Nylon	129	819091016 Washer 9/32 x 5/8 x 16 Ga.
50	532145205 Support, Dash	--	532121794 Cover Access
51	873800400 Nut Lock W/Insert 1/4-20 UNC	--	532125085 Plug, Button
56	532145151 Extension Dash		
59	532110436 Bushing, Snap Split		
64	532145095 Dash, Lower		
66	532141626 Plate, Dash		
67	819111116 Washer 11/32 x 11/16 x 16 Gauge		

NOTE: All component dimensions given in U.S. inches
1 inch = 25.4 mm

For Husqvarna Parts Call 606-678-9623 or 606-561-4983 REPAIR PARTS

TRACTOR - MODEL NO. YTH180 (954001172B), PRODUCT NO. 954 00 11-72
DRIVE



For Husqvarna Parts Call 606-678-9623 or 606-561-4983

REPAIR PARTS

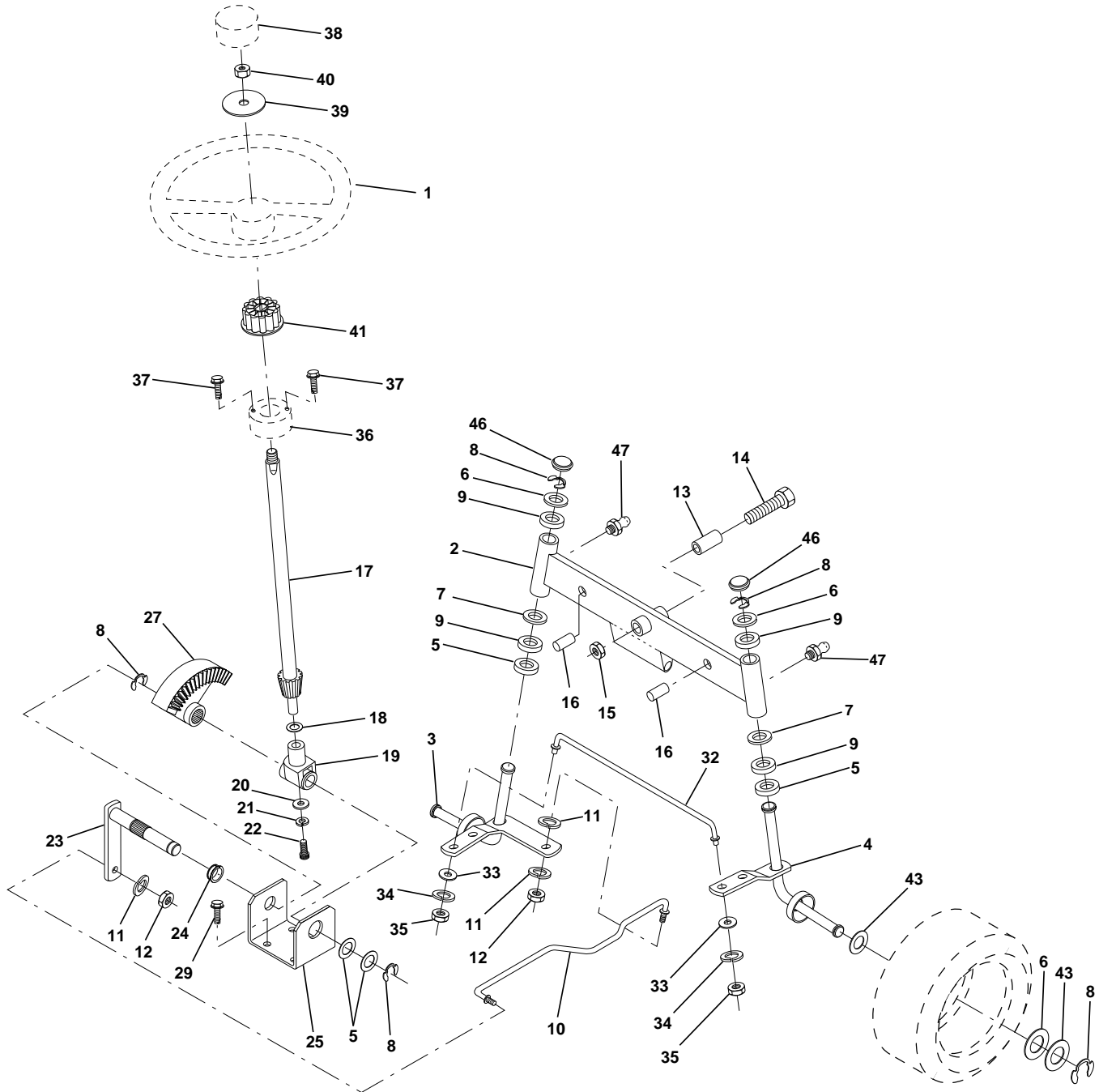
TRACTOR - MODEL NO. YTH180 (954001172B), PRODUCT NO. 954 00 11-72

DRIVE

KEY NO.	PART NO.	DESCRIPTION	KEY NO.	PART NO.	DESCRIPTION
1	532144436	Transaxle Assembly	55	532105709	Spring, Return, Clutch
2	532142431	Spring, Return, Brake	57	532140294	V-Belt, Ground Drive
3	532143995	Pulley, Transaxle	58	532140470	Keeper Belt
8	532141002	Rod Shift Fender YT	59	532140312	Keeper, Center Span
9	532137140	Clutch, Electric	60	532105730	Keeper Belt Engine
10	876020416	Pin Cotter 1/8 x 1 CAD	61	817490612	Screw, Thdroll. 3/8-16 x 1 Type TT
15	874780544	Bolt Fin Hex 5/16-18 Unc	62	532123533	Cover, Pedal
16	873800500	Nut Lock Hex W/Ins. 5/16-18 Unc P	63	532140189	Pulley, Engine
17	532126197	Washer 1-1/2 OD x 15/32 ID x .250	65	810040700	Washer
19	873800600	Nut Lock Hex W/Wsh 3/8-16 Unc	67	874760620	Bolt
20	871170768	Bolt, Hex	68	532121218	Keeper Belt Engine
21	532140845	Knob, Duckhead 1/2-13	69	532142432	Screw Hex Wsh Hi-Lo 1/4-1/2 UNC
22	532145240	Rod, Brake Hydro	71	532140158	Strap Torque Lh Hydro 18/20" T
23	532137141	Bracket, Asm Mtg Clutch	73	532140157	Strap Torque Rh Hydro 18/20" T
24	873350600	Nut	74	532121199	Spacer, Split
25	532106888	Spring, Brake Rod	75	532121749	Washer 25/32 x 1-1/4 x 16 Gauge
26	819131316	Washer	76	812000001	E-Ring
27	876020412	Pin Cotter 1/8 x 3/4 Cad.	77	532123583	Key, Square
28	532145204	Rod, Parking Brake	78	532121748	Washer 25/32 x 1-5/8 x 16 Gauge
29	532071673	Cap, Parking Brake	81	532140154	Shaft Asm. Cross Hydro 20" Tires
30	532130807	Bracket, Transaxle	82	532123782	Spring Torsion T/A
31	532127275	Keeper Belt Lh	83	819171216	Washer 17/32 x 3/4 x 16 Ga.
32	874760512	Bolt Hex Hd 5/16-18 Unc x 3/4	84	532140548	Rod, Tie Hydro 20" Tires
33	872140506	Bolt Carriage 5/16-18	86	532071208	Bushing Rod Steering 629/632 ID
34	532149001	Shaft, Foot Pedal	87	819212016	Washer 21/32 x 1-1/4 x 16 Ga.
35	532120183	Bearing, Nylon	88	812000008	Ring Klip #5304-62
36	819211616	Washer	89	532139989	Console, Shift
37	532124963	Pin, Roll	91	874780536	Bolt Fin Hex 5/16-18 x 2-1/4
38	532123674	Pulley, Idler, Flat	92	874780524	Bolt Fin Hex 5/6-18 Unc x 1-1/2
39	874760644	Bolt	93	532142564	Line Fuel Hydro 4"
40	532124965	Spacer, Split	94	532140462	Fan, Hydro 7"
41	532109070	Keeper, Belt Retainer	95	532144643	Control Bypass Hydro 18" Tires
42	819131312	Washer 13/32 x 13/16 x 12 Gauge	96	532124788	Retainer Spring 1" Zinc/Cad
43	819111012	Washer 11/32 x 5/8 x 12 Ga.	97	532140469	Keeper Belt Rh Hydro 0750. 18/20"
44	532105706	Bearing, Nylon	98	873510600	Nut Keps Hex 3/8-16 Unc
45	532110812	Washer, Hardened	100	819111216	Washer 11/32 x 3/4 x 16 Ga.
46	812000039	Ring, Klip	102	532141322	Washer Belleville .501D x 1.50D
47	532127783	Pulley, Idler, V-Groove	103	73940800	Nut Hex Jam toplock 1/2-20 UNF
48	532123789	Bellcrank Assembly	104	532140156	Arm, Control Hydro
49	532123205	Retainer, Belt	105	871070516	Screw Cap Hex 5/16 x 18 x 1
50	874760624	Bolt	106	874780520	Bolt Fin Hex 5/16-18 Unc x 1-1/4
51	873680600	Nut			
52	873680500	Nut, Crownlock 5/16-18			
53	532105710	Link, Clutch			

NOTE: All component dimensions give in U.S. inches.
1 inch = 25.4 mm.

For Husqvarna Parts Call 606-678-9623 or 606-561-4983
REPAIR PARTS
TRACTOR - MODEL NO. YTH180 (954001172B), PRODUCT NO. 954 00 11-72
STEERING ASSEMBLY



For Husqvarna Parts Call 606-678-9623 or 606-561-4983

REPAIR PARTS

TRACTOR - MODEL NO. YTH180 (954001172B), PRODUCT NO. 954 00 11-72
STEERING ASSEMBLY

KEY PART NO.	NO.	DESCRIPTION
1	532124415	Wheel Steering Auto Grey
2	532142033	Axle Asm Fr LT W/gzks 38/42
3	532135227	Spindle Asm LH
4	532135228	Spindle Asm RH
5	532124931	Bearing Race Thrust Harden
6	532121748	Washer 25/32 X 1-5/8 X 16 Ga
7	819272016	Washer 27/32 X 1-1/4 X 16 Ga
8	812000029	Ring Klip #t5304-75
9	532124937	Bearing Col Strg Blk
10	532130468	Link Drag Sol Ball Jt 20 064
11	810040600	Washer Lock Hvy Hlcl Spr 3/8
12	873610600	Nut Fin Hex 3/8-24 Unf
13	532110438	Spacer Bearing Axle Front
14	874011056	Bolt Hex 5/8-11 Unc X 3-1/2
15	873901000	Nut Lock Flange 5/8-11 Unc
16	532132624	Pin Axle 5/8 X 1 55/1 54 Lg
17	532128762	Shaft Asm Strg 20 31 x 3/4 YP YT
18	532057079	Washer Thrust 515x 750x 033
19	532124035	Support Shaft
20	532126684	Washer Shim 1/4 X 5/8 X 062
21	810040400	Washer Lock Hvy Helical 1/4
22	871070410	Screw Hex Socket 1/4-20 X 5/8
23	532127501	Shaft Asm Pittman
24	532109816	Nyliner Snap In
25	532124036	Bracket Steering
27	532136874	Gear Sector
29	817490612	Screw Thdrol 3/8-16x3/4 Ty-tt
32	532130467	Rod Tie Wire Form 19 75 Elec
33	819111216	Washer 11/32 x 3/4 x 16 Ga.
34	810040500	Washer, Lock Hvy Hlcl Spr 5/16
35	873810500	Locknut 5/16-24 Unf
36	532145207	Bushing Strg
37	817541008	Screw Slftp #10-24 X 1/2 TT-B
38	532124416	Insert Cap Strg Wh Aut Hus Gry
39	532100712	Washer 53 X 2 25 X 160 Zinc
40	873940800	Nut Hex Jam Toplock 1/2-20 Unf
41	532100711	Adapter Wheel Strg 758/ 753id
43	532121749	Washer 25/32 X 1 1/4 X 16 Ga
46	532121232	Cap Spindle Fr Top Blk
47	532124836	Fitting Grease

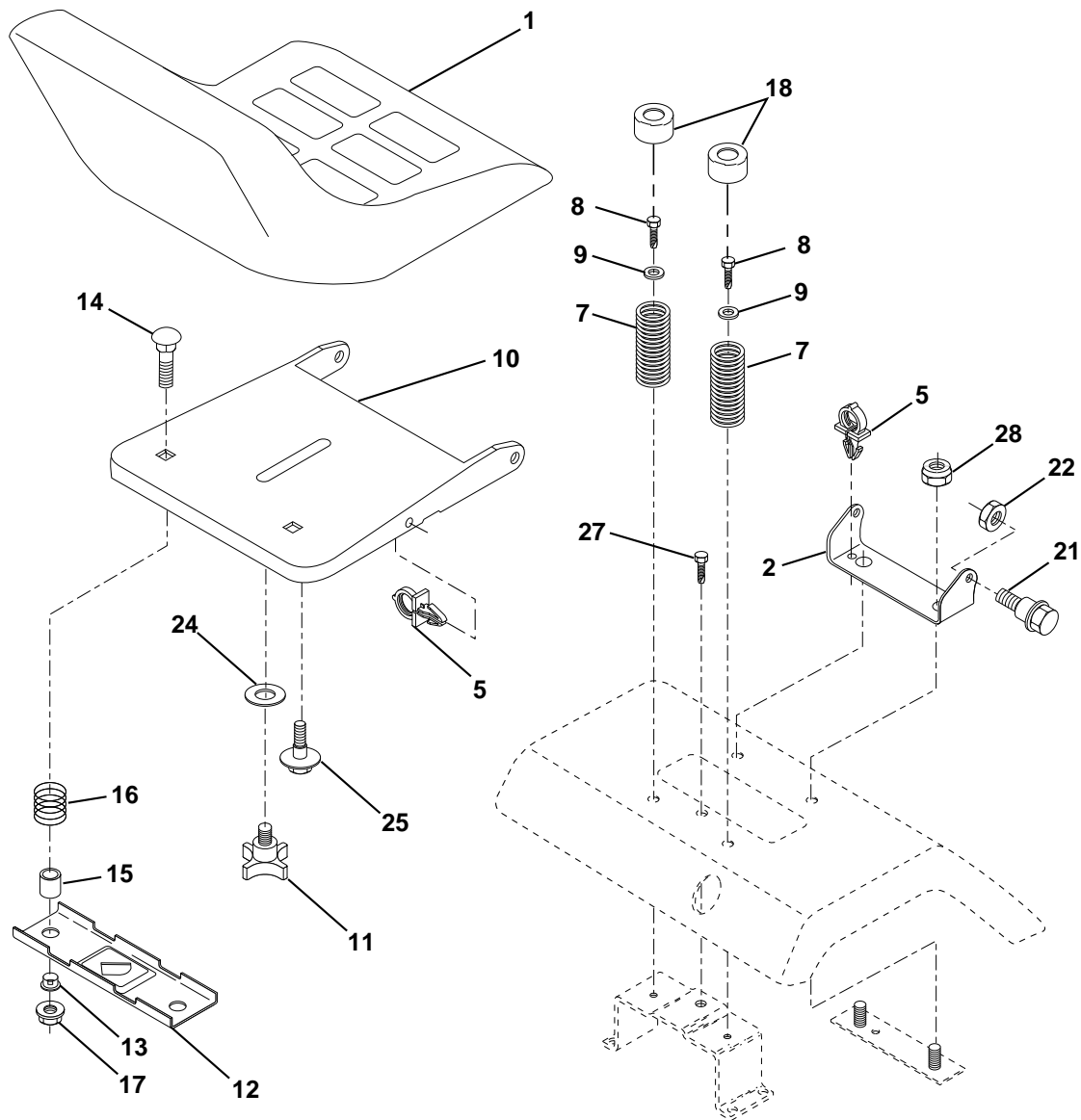
NOTE: All component dimensions given in U.S. inches
1 inch = 25.4 mm

For Husqvarna Parts Call 606-678-9623 or 606-561-4983

REPAIR PARTS

TRACTOR - MODEL NO. YTH180 (954001172B), PRODUCT NO. 954 00 11-72

SEAT ASSEMBLY



KEY NO.	PART NO.	DESCRIPTION
1	532124186	Seat V-550 Gry/blk Std
2	532140551	Bracket Pivot Seat
5	532145006	Clip, Push-In Hinged
7	532124181	Spring Seat Cprsn 2 250 Blk Zi
8	817490508	Screw Hwsh Thdrol 5/16-18 x 1/2
9	819131614	Washer 13/32 X 1 X 14 Ga
10	532140552	Pan Seat
11	532120068	Knob Seat 1/2-13unc Blk
12	532121246	Bracket Mounting Switch
13	532121248	Bushing Snap Blk Nyl 50 Id
14	872050411	Bolt Rdhd Sht Nk 1/4-20x1-3/8
15	532121249	Spacer Split 28x 88 Yel Zinc

KEY NO.	PART NO.	DESCRIPTION
16	532123740	Spring Cprsn 1 310 Blk Pnt
17	532123976	Nut Lock 1/4 Lge Flg Gr 5 Zinc
18	532124238	Cap Spring Seat
21	532139888	Bolt Shoulder 5/16-18 Unc Blkz
22	873680500	Nut Crown Lock 5/16-18
24	819171912	Washer 17/32 X 1-3/16 X 12 Ga
25	532127018	Bolt Shoulder 5/16-18 X 62
27	817490608	Screw Thdrol 3/8-36 x 1/2
28	873680600	Nut Crownlock 3/8-16 UNC

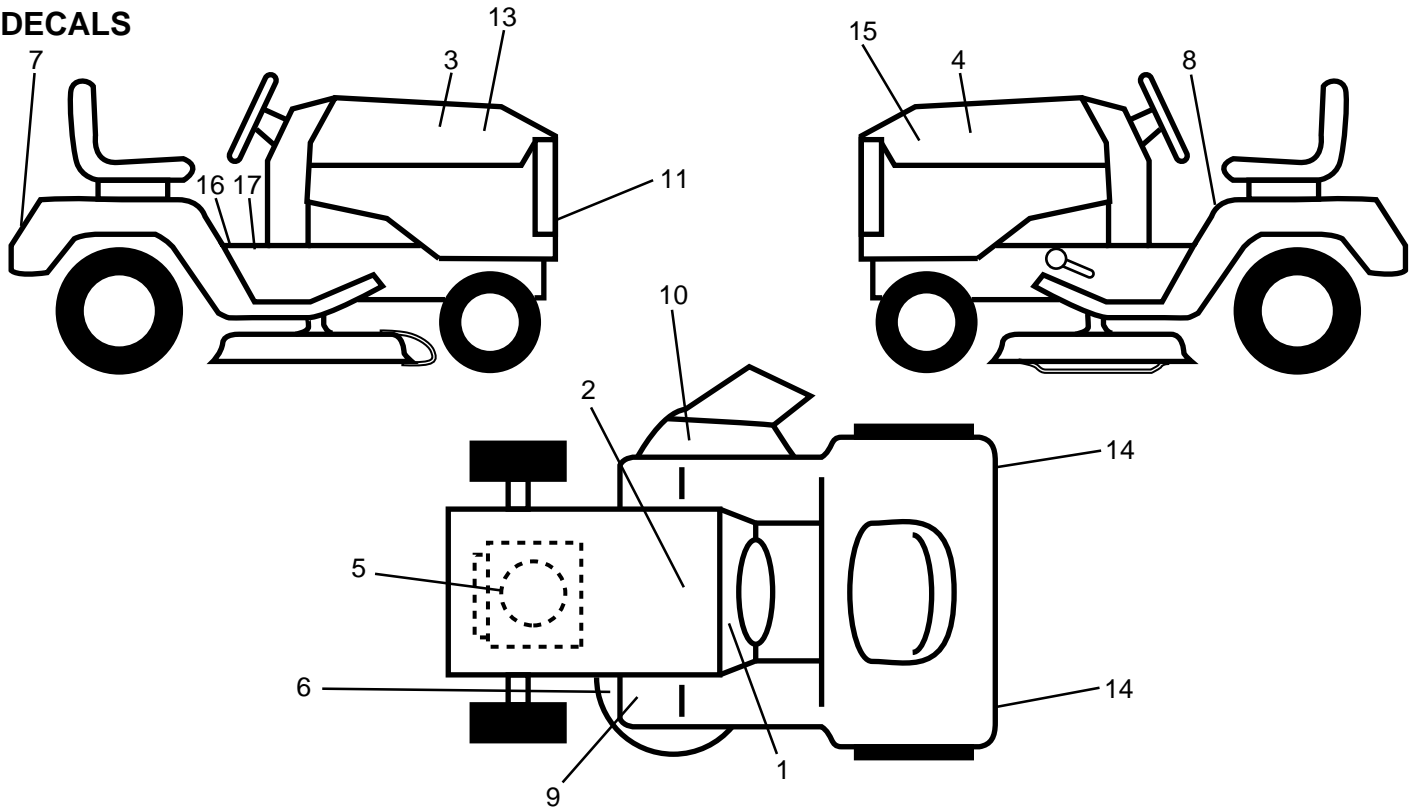
NOTE: All component dimensions given in U.S. inches
1 inch = 25.4 mm

For Husqvarna Parts Call 606-678-9623 or 606-561-4983

REPAIR PARTS

TRACTOR - MODEL NO. YTH180 (954001172B), PRODUCT NO. 954 00 11-72

DECALS

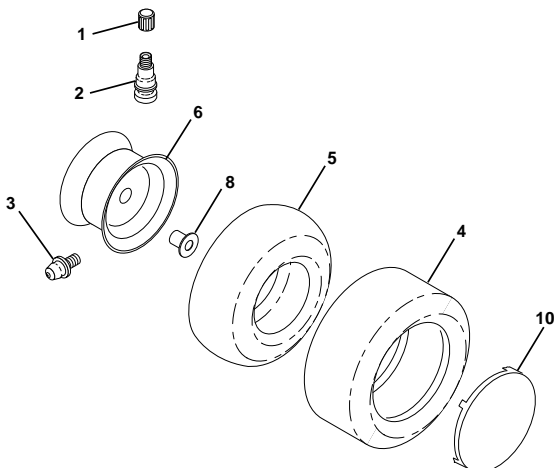


KEY NO.	PART NO.	DESCRIPTION	KEY NO.	PART NO.	DESCRIPTION
1	532138956	Decal Instruction Dash Eng/fr	15	532140729	Decal Hood RH Husqvarna
2	532145005	Decal Bat DAN/POI P/L Symbols	16	532142337	Decal Sdl Cold Start Hyd Eng/Fr
3	532140855	Decal Hood RH Husq YT 180 Insert	17	532140837	Decal Brake Parking Saddle
4	532140854	Decal Hood LH Husq YT 180 Insert	--	532138311	Decal Lift Handle(Lift Handle)
5	532132507	Decal Engine	--	532142341	Decal Drawbar Cntrl Mvt Hyd LT
6	532136832	Decal V-Belt Sch	--	532145246	Pad Footrest
7	532131582	Decal Fender Husqvarna	--	532147875	Manual Owners, English
8	532133795	Decal Caution Fender Eng/fr	--	532147877	Manual Owners, French
9	532101892	Decal Clutch/brake Eng/fr	--	532145247	Attache du repose-pied
10	532137259	Decal Warning MULT-LANGUAGE			
11	532125989	Decal Grille Husqvarna			
13	532140728	Decal Hood RH Husqvarna			
14	532106202	Reflector Tail Light Red/amber			

Available accessories not included with tractor:

- LBD48 42" Snow blade
- LC05 33 lb. Weights (pairs)
- LSB42 40" Snow Thrower
- C42 42" Bagger
- LC06 Tire Chains

WHEELS & TIRES

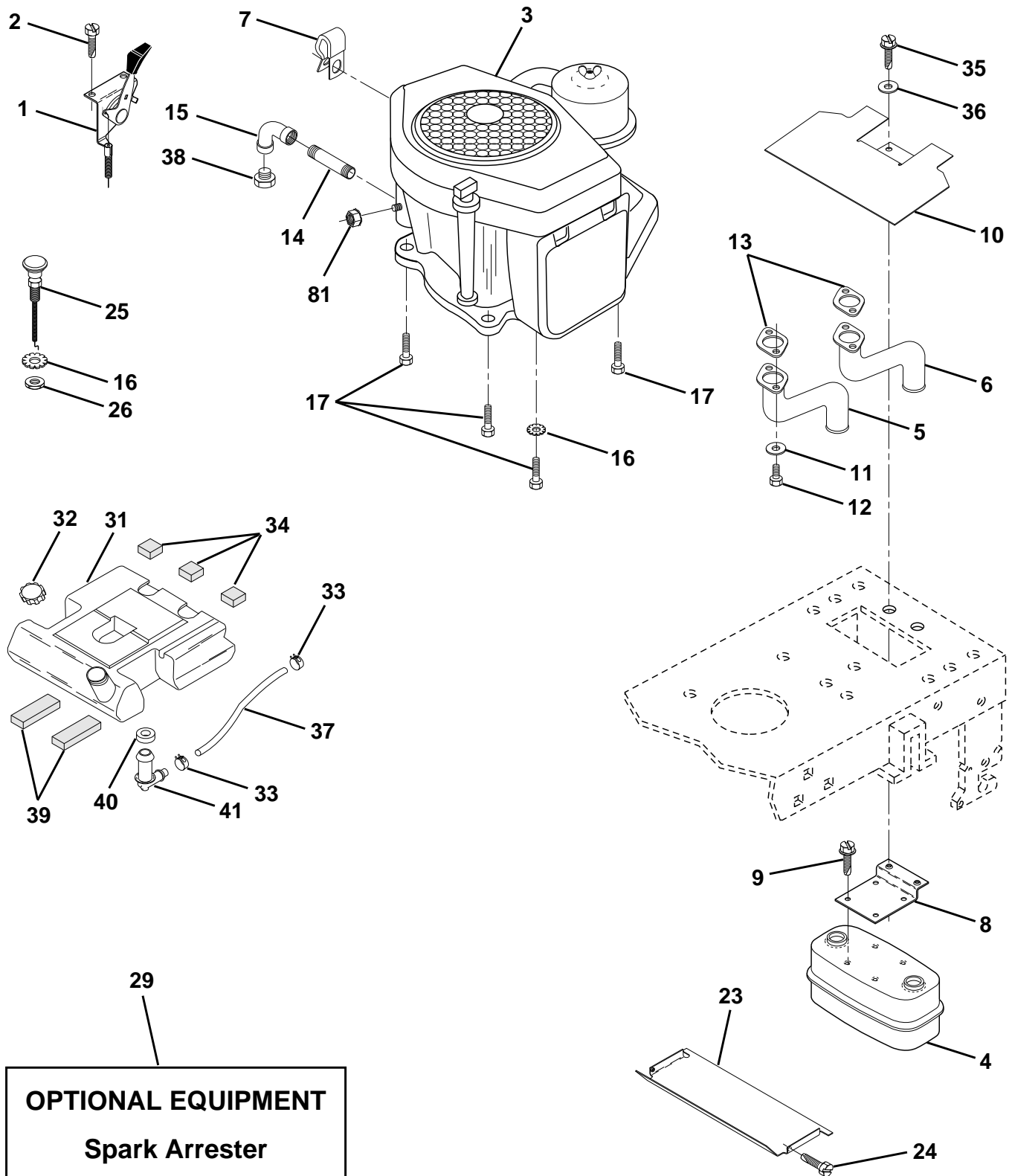


KEY NO.	PART NO.	DESCRIPTION
1	532059192	Cap Valve Tire
2	532065139	Stem Valve
3	532124957	Fitting Grease (Front Wheel Only)
4	532106222	Tire F Ts 15 X 6 0 - 6 Service
	532122082	Tire R Ts 20 X 10 - 8 Service
5	532059904	Tube Front (Service Item Only)
	532124926	Tube Rear (Service Item Only)
6	532141447	Rim Asm 8"rear White Service
	532141446	Rim Asm 6" front White Service
8	532124959	Bearing Flange (Front Wheel Only)
10	532124577	Cover Wheel 6"white
	532124578	Cover Wheel 8"white
--	144334	Sealant, Tire (10 oz. Tube)

NOTE: All component dimensions given in U.S. inches
1 inch = 25.4 mm

For Husqvarna Parts Call 606-678-9623 or 606-561-4983 REPAIR PARTS

TRACTOR - MODEL NO. YTH180 (954001172B), PRODUCT NO. 954 00 11-72
ENGINE



For Husqvarna Parts Call 606-678-9623 or 606-561-4983

REPAIR PARTS

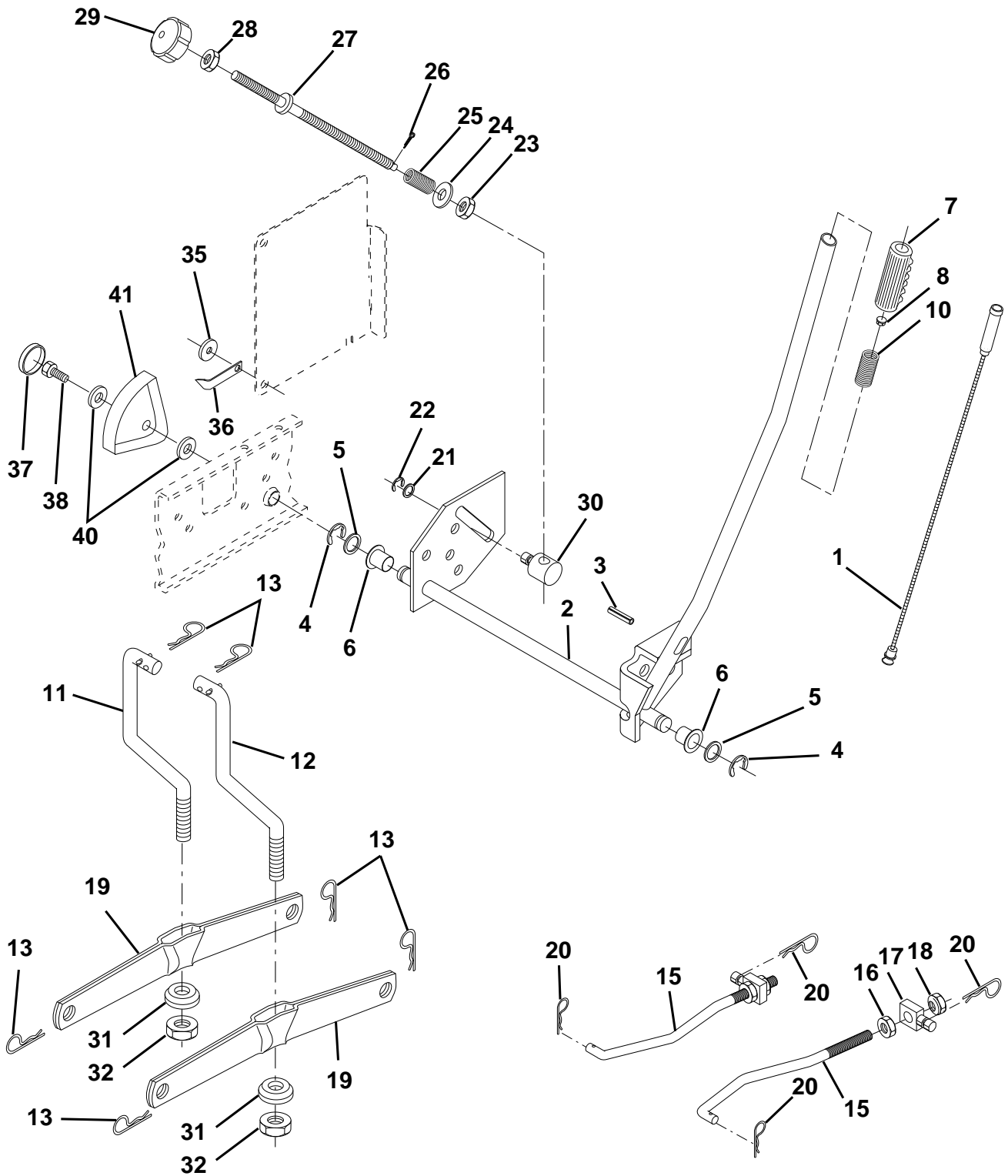
TRACTOR - MODEL NO. YTH180 (954001172B), PRODUCT NO. 954 00 11-72
ENGINE

KEY PART NO.	PART NO.	DESCRIPTION
1	532137214	Control RH Blk Flg 37 88
2	817720410	Screw Hex Thd Cut 1/4-20x5/8 T
3	-----	Engine Kohler Model No. MV18
4	532137978	Muffler VGT YT Dual Inlet
5	532136215	Tube Manifold LH
6	532136216	Tube Manifold RH
7	532124996	Clip Line Fuel 13/32 Mtg Hole
8	532122439	Bracket Muffler Mounting
9	817190408	Screw Hex Wsh Thd Cut 1/4-20
10	532145552	Shield Heat LT
11	810040500	Washer, Lock Hvy HLCL Spr. 5/16
12	874570512	Bolt, Hex SKT 5/16-18 x 3/4
13	-----	Muffler Gasket (Order from Engine Manufacturer)
14	813280336	Nipple Pipe 3/8 Npt X 4-1/2"
15	813200300	Elbow Std 90 Degree 3/8-18 Npt
16	811050600	Washer Lock Ext Tooth 3/8
17	817490624	Screw thdrol 3/8-16 x 1-1/2 TT
23	532128953	Shield Heat Browning LT/YT
24	817021008	Screw Tap Hex #10-24unc X 1/2
25	532132782	Choke Control
26	873610600	Nut, Fin Hex 3/8-24 Unf
29	532137180	Kit Spark Arrestor (Flat Scrn)
31	532141070	Tank Fuel 3 50 Rear
32	532140527	Cap Asm Fuel
33	532123487	Clamp Hose Blk
34	532106082	Pad, Spacer
35	817490512	Screw Thdrol 5/16-18 x 3/4
36	819132012	Washer 13/32 x 1-1/4 x 12 Ga.
37	532008543	Line Fuel 54"
38	-----	Plug Oil Drain (Order From Engine Manufacturer)
39	532109227	Pad, Idler
40	532124952	Bushing
41	532139277	Stem Tank Fuel
81	873510400	Nut Keps Hex 1/4-20 UNC

NOTE: All component dimensions given in U.S. inches
1 inch = 25.4 mm

For Husqvarna Parts Call 606-678-9623 or 606-561-4983 REPAIR PARTS

TRACTOR - MODEL NO. YTH180 (954001172B), PRODUCT NO. 954 00 11-72
MOWER LIFT ASSEMBLY



For Husqvarna Parts Call 606-678-9623 or 606-561-4983

REPAIR PARTS

TRACTOR - MODEL NO. YTH180 (954001172B), PRODUCT NO. 954 00 11-72
MOWER LIFT ASSEMBLY

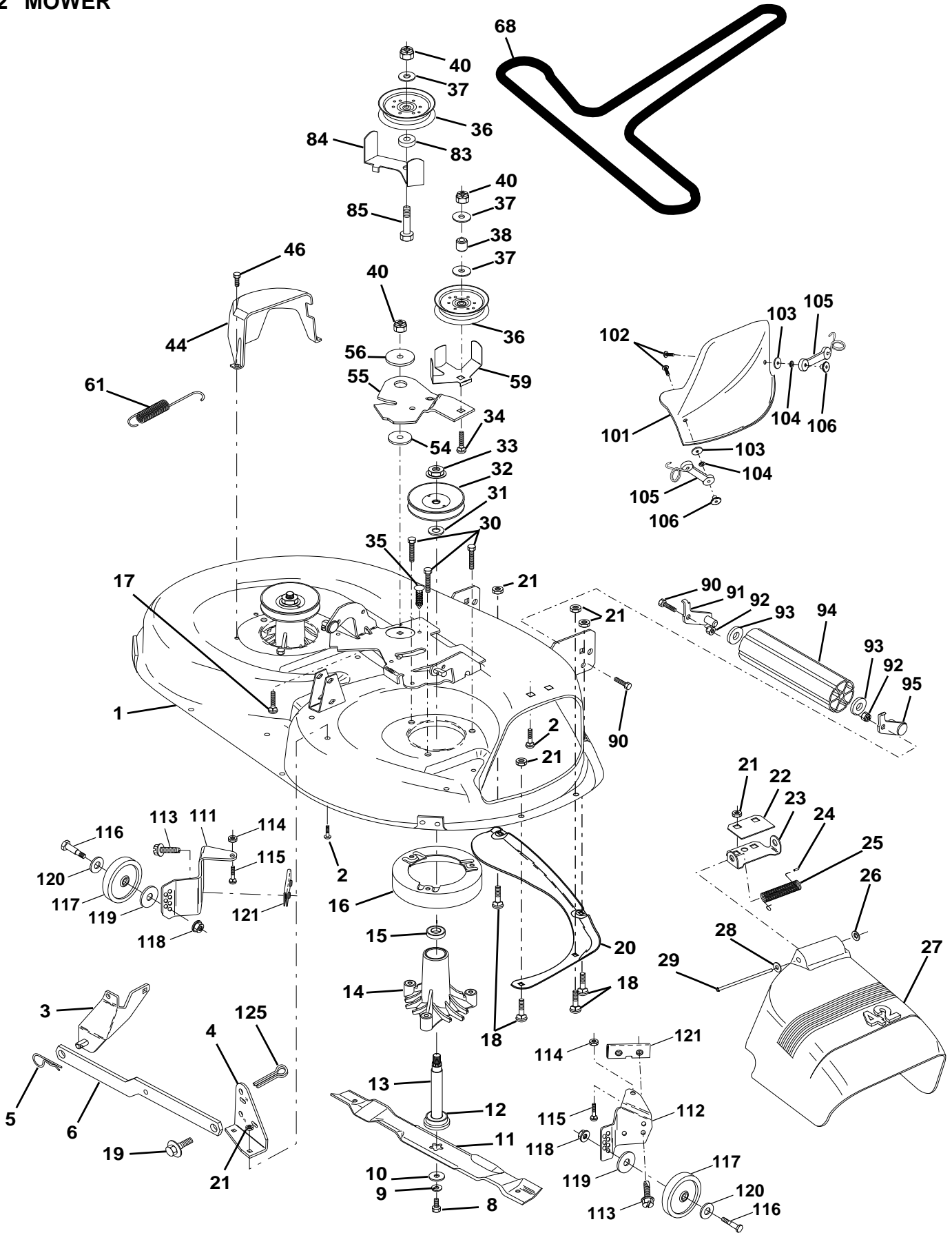
KEY NO.	PART NO.	DESCRIPTION
1	532136971	Wire Asm Inner W/plunger 20 56
2	532136968	Shaft Asm Lift RH w/Inf
3	532138284	Pin Groove 1 500 Zinc
4	812000002	E Ring #5133-62
5	819211621	Washer 21/32 X 1 X 21 Ga
6	532120183	Bearing Nylon Blk 629 Id
7	532125631	Grip Handle Fluted Blk
8	532124526	Button Plunger Black
10	532122512	Spring Cprsn 3 750 Oiled
11	532139865	Link Lift LH
12	532139866	Link Lift RH
13	532124670	Retainer Spring
15	532127218	Link Front
16	873350800	Nut Jam Hex 1/2-13 Unc
17	532130171	Trunnion Blk Zinc
18	873800800	Nut Lock W/wsh 1/2-13unc
19	532139868	Arm Suspension Rear
20	532124660	Retainer Spring
21	819151216	Washer 15/32 X 3/4 X 16 Ga
22	812000037	Ring Klip #t5304-37
23	532110807	Nut Special
24	819131016	Washer 13/32 X 5/8 X 16 Ga
25	532137150	Spring Compression Inf. Hgt.
26	876020308	Pin Cotter 3/32 X 1/2
27	532137167	Rod Adj Lift Zinc 9 00 Wrk Lg
28	873350600	Nut Hex Jam 3/8-16 Unc
29	532138057	Knob Inf 3/8-16 Unc Blk W/sym
30	532110810	Trunnion Dp Stop Dbl Thds PLT
31	532140302	Bearing Pvt Lift Spherical
32	873540600	Nut Crownlock 3/8-24
35	532120529	Washer Nylon .44 x .75 x .032
36	532138346	Pointer Height Indicator
37	532123935	Plug Hole Blk 1.485/1.515
38	817490512	Screw Thdrol 5/16-18 x 3/4 TYT
40	819112410	Washer 11/32 x 1-1/2 x 10 Ga.
41	532123934	Scale Ind. Height Blk

NOTE: All component dimensions given in U.S. inches
1 inch = 25.4 mm

For Husqvarna Parts Call 606-678-9623 or 606-561-4983 REPAIR PARTS

TRACTOR - MODEL NO. YTH180 (954001172B), PRODUCT NO. 954 00 11-72

42" MOWER



For Husqvarna Parts Call 606-678-9623 or 606-561-4983

REPAIR PARTS

TRACTOR - MODEL NO. YTH180 (954001172B), PRODUCT NO. 954 00 11-72

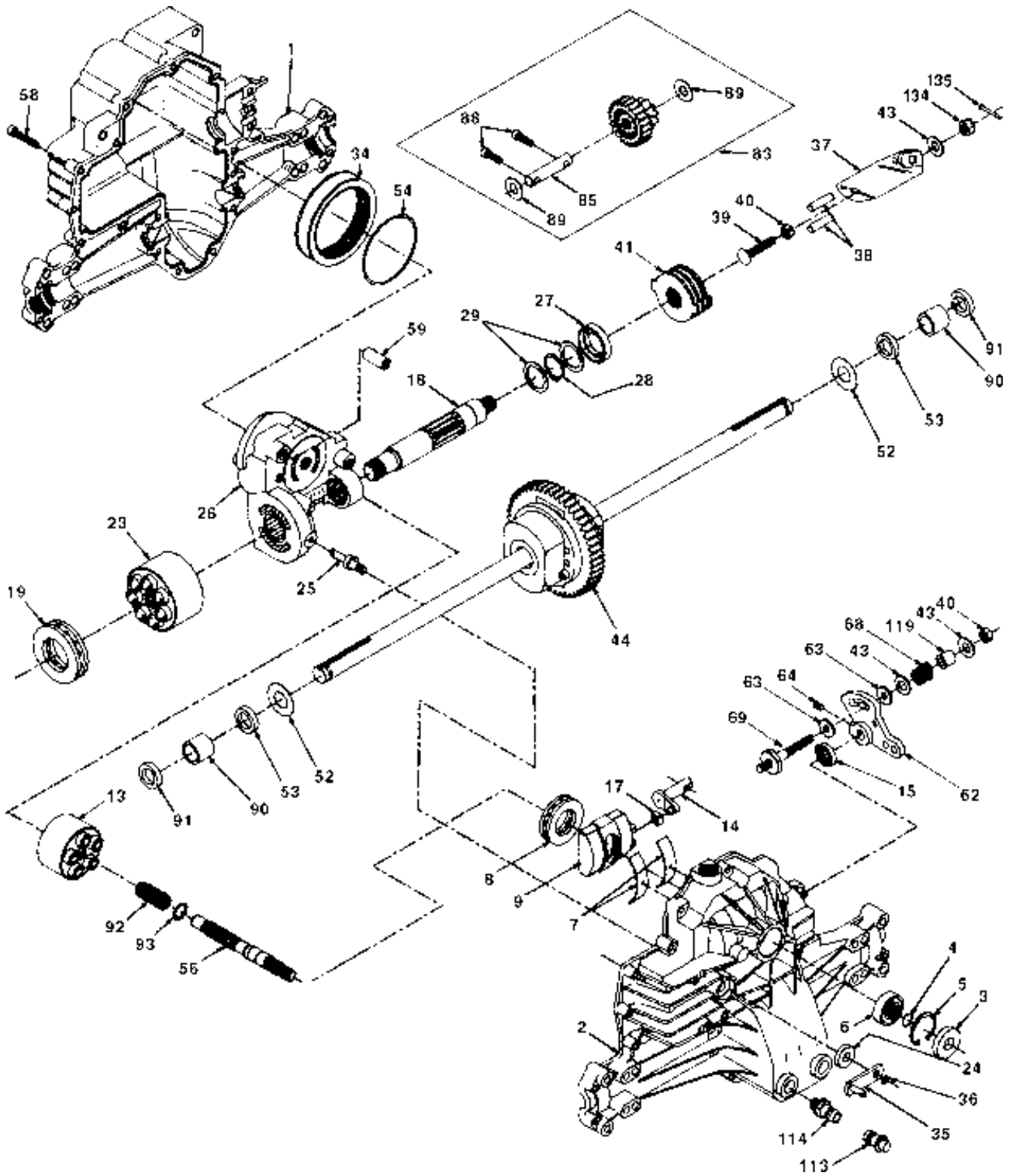
42" MOWER

KEY PART NO. NO.	DESCRIPTION	KEY PART NO. NO.	DESCRIPTION
1 532144393	Deck Asm MWR 42" 94 T-Path	56 532122052	Spacer Retainer Pm Mower
2 872140506	Bolt Rdhd Sqnk 5/16-18unc X3/4	57 532140090	Guide, Belt
3 532138017	Bracket Asm Fr Sway Bar 38/42	59 532141043	Guard, Belt
4 532138440	Bracket Asm Deck 42"sway Bar	61 532131950	Spring Ext. Elect
5 532124670	Retainer Spring	68 532144200	V-Belt Mower
6 532130832	Arm Suspension Rear	83 532120958	Washer Sintered
7 873800500	Locknut-hex W/ins 5/16-18unc P	84 532144394	Keeper Belt Idler Fixed
8 532850857	Bolt 3/8-24x1 25 Gr8 Patched	85 872140620	Bolt RDHD SQNK 3/8-16 x 2-1/2 Gr. 5
9 810030600	Washer Lock Hvy 3/8 Unplated	90 874760616	Bolt Fin Hex 3/8-16unc X 1
10 532140296	Washer Hard Blade Mower Vented	91 532132274	Bracket Asm Noseroller LH
11 532134149	Blade Mower Mulching 42"	92 873680600	Nut Crownlock 3/8-16 Unc
12 532129895	Bearing Ball #6204 (Mandrel)	93 819171416	Washer 17/32 X 7/8 X 16 Ga
13 532137645	Shaft Asm W/lower Bearing	94 532132264	Roller Nose 38 & 42
14 532128774	Housing Mandrel Vented(machd)	95 532132273	Bracket Asm Noseroller RH
15 532110485	Bearing Ball Mandrel	101 532136420	Cover Mulching 42" Blk
16 532140329	Stripper Mower Round	102 871161010	Screw
17 872110618	Bolt Rdhd Sqnk 3/8-16 X 2-1/4	103 810071000	Washer Lock #10
18 872140505	Bolt Carr 5/16-18 X 5/8	104 819061216	Washer #10
19 532132827	Bolt Shoulder	105 532130758	Latch Asm Bagger
20 532136888	Baffle Vortex 42	106 532125004	Nut Weld .327/.304 #10-24
21 873680500	Nut Crownlock 5/16-18	111 532140353	Bracket Wheel Guage Lh 42" Deck
22 532134753	Stiffener Bracket 42"deck	112 532132262	Bracket Guage Wheel Rh 42" Deck
23 532131267	Bracket Deflector Mower 42"	113 817490512	Screw Thdrol 5/16-18 x 3/4 TYT
24 532105304	Cap Sleeve 80x 112 Blk Mower	114 873510500	Nut Keps 5/16 - 18 UNC
25 532123713	Spring Torsion Deflector 2 52	115 872110504	Bolt Carriage 5/16 - Unc x 1/2
26 532110452	Nut Push Phos & Oil	116 532124842	Bolt Shld "A" 2.41 "B" 1.66
27 532130968	Shield Deflector Mower 42" Blk	117 532105455	Wheel Guage blk. 4.93
28 819111016	Washer 11/32 X 5/8 X 16 Ga	118 873930600	Nut Centerlock 3/8 - 16 UNC
29 532131491	Rod Hinge 42"6 75 Wlg	119 819121414	Washer 3/8 x 7/8 x 14 Ga.
30 532138776	Screw Thdrol Hex Hd Zinc Mwr.	120 819171512	Washer 17/32 x 15/16 x 12 Ga.
31 532129963	Washer Spacer Mower Vented	121 532143723	Bracket
32 532129861	Pulley Mandrel 42"	125 876020816	Pin Cotter 1/4 x 1 Plated
33 532137266	Nut 9/16top Lock Flng Cntr	-- 532145452	Deck Serv 42" Elec Vent (Standard Deck - Order Nose Roller, Gauge Wheel and Mulcher plate components separately Key Nos. 90-95, 101-106 and 111-121)
34 872110622	Bolt Rdhd 3/8-16uncx2-3/4 Gr5		Mandrel Assembly (Includes Key Numbers 8-10, 12-15, 31 and 33)
35 532133835	Fastner Christmas Tree		
36 532131494	Pulley Idler Flat 3 060		
37 819131316	Washer 13/32 X 13/16 X 16 Ga		
38 532132823	Spacer Spring Stop Idler		
40 873680600	Nut Crownlock 3/8-16 UNC	-- 532130794	
44 532140088	Guard Mandrel LH Black		
46 532137729	Screw Thdrol 1/4-20x5/8		
54 532133943	Washer Hardened		
55 532140084	Arm Idler 42"mower LT/YT		

NOTE: All component dimensions given in U.S. inches
1 inch = 25.4 mm

For Husqvarna Parts Call 606-678-9623 or 606-561-4983
REPAIR PARTS

TRACTOR - MODEL NO. YTH180 (954001172B), PRODUCT NO. 954 00 11-72
HYDRO-GEAR TRANSAXLE - - MODEL NUMBER 310-0750



For Husqvarna Parts Call 606-678-9623 or 606-561-4983

REPAIR PARTS

TRACTOR - MODEL NO. YTH180 (954001172B), PRODUCT NO. 954 00 11-72
 HYDRO-GEAR TRANSAXLE - - MODEL NUMBER 310-0750

KEY PART NO.	NO.	DESCRIPTION	KEY PART NO.	NO.	DESCRIPTION
1	532142930	Housing, Lower	43	532142884	Washer 7/16 x 7/8 x .060
2	532142931	Assembly, Upper Housing	44	532142959	Differential Assembly
3	532142932	Seal, Lip	52	532142960	Washer 3/4 x 1.5 x .03
4	532142928	Ring, Wire Retaining	53	532142961	Seal .75 x 1.25 x .250
5	532142933	Ring, Retaining	54	532142962	O-Ring .103 x 2.987 ID
6	532142934	Bearing, Shaft Ball	56	532142963	Shaft, Input
7	532142935	Bearing, Cradle	58	532142964	Bolt 1/4-20 x 1.38
8	532142936	Bearing, Thrust 30 x 52 x 13	59	532142965	Pin .5 OD x .43 ID x .750
9	532142937	Swashplate, Variable	62	532142966	Arm, Control
13	532142938	Block, Cylinder Assembly	63	532142967	Puck, Dampener
14	532142939	Arm, Trunnion	64	532142920	Set Screw
15	532142940	Seal, Lip	68	532142969	Spring
17	532142941	Guide, Slot	69	532144610	Stud 5/16-24
18	532142942	Shaft, Motor	83	532142971	Jack Shaft Assembly
19	532142943	Bearing, Thrust 42 x 68 x 16	85	532142972	Jack Shaft
23	532142944	Block, Cylinder Assembly	88	532142973	Capscrew
24	532142945	Seal, Lip 10 x 25 x 7	89	532142974	Washer
25	532142946	Actuator, Bypass	90	532142975	Sleeve Bearing
26	532142947	Center Section Assembly Kit	91	532142976	Seal, Wiper
27	532142948	Seal, Lip 26 x 42 x 8	92	532142977	Spring, Block
28	532142949	Ring, Retaining	93	532142978	Washer, Block Thrust
29	532142950	Washer 26 x 35 x 1	113	532142917	Cap, Vent Assembly
34	532142951	Oil Filter Element	114	532142918	Fitting, O-Ring Assembly
35	532142952	Arm, Bypass	119	532142980	Spacer
36	532142953	Ring, Retaining	134	532144607	Nut, Castle 5/16-24
37	532142954	Arm, Actuating	135	532144608	Pin, Cotter
38	532142955	Pin, Actuating			
39	532142956	Bolt 5/16-24 x 1-3/4			
40	532142957	Locknut, Hex 5/16-24 UNJC			
41	532142958	Brake Rotor/Stator Kit			

NOTE: All component dimensions given in U.S. inches
 1 inch = 25.4 mm