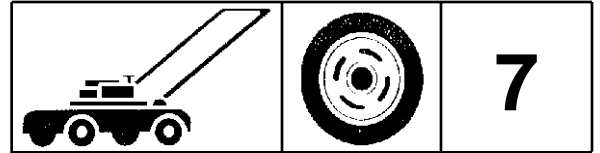
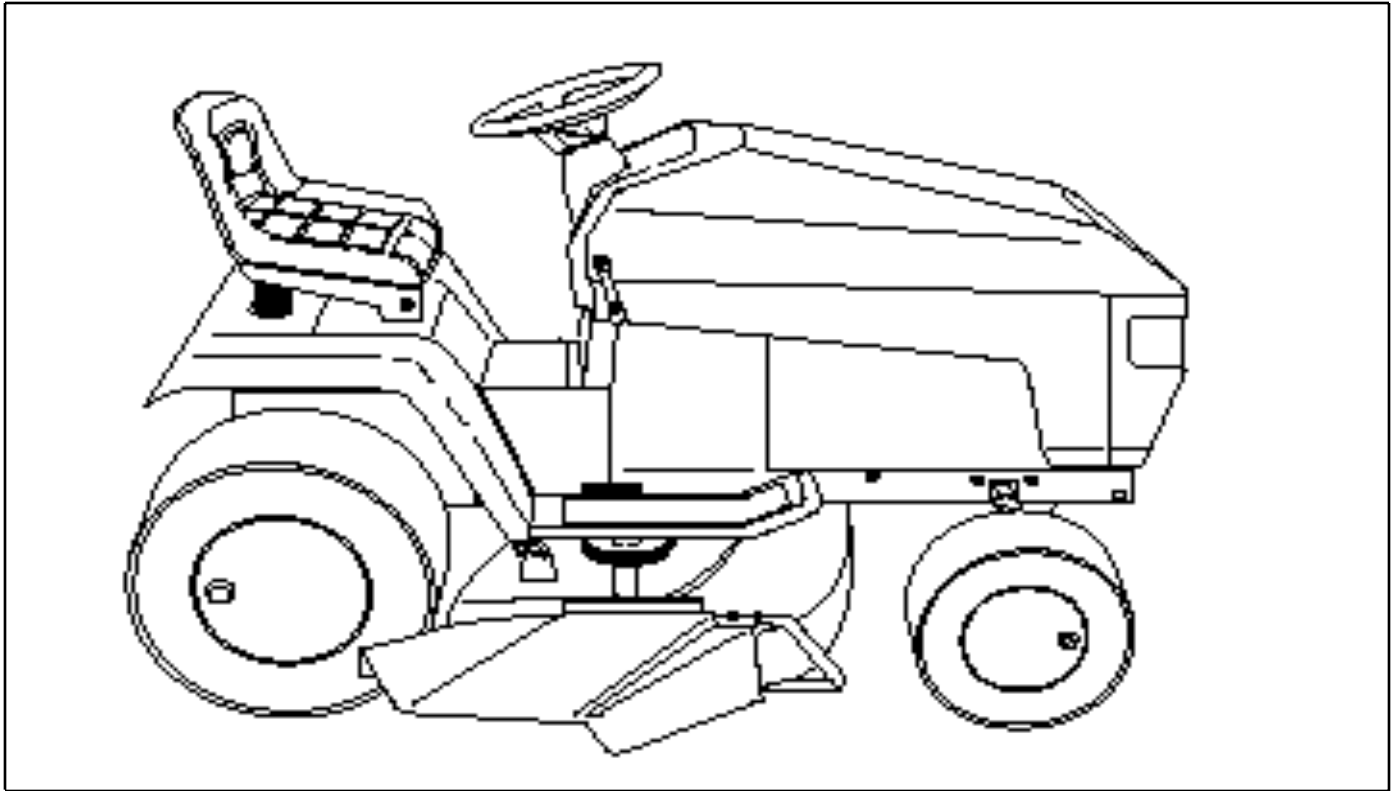


For Husqvarna Parts Call 606-678-9623 or 606-561-4983

 **Husqvarna**



YT 180

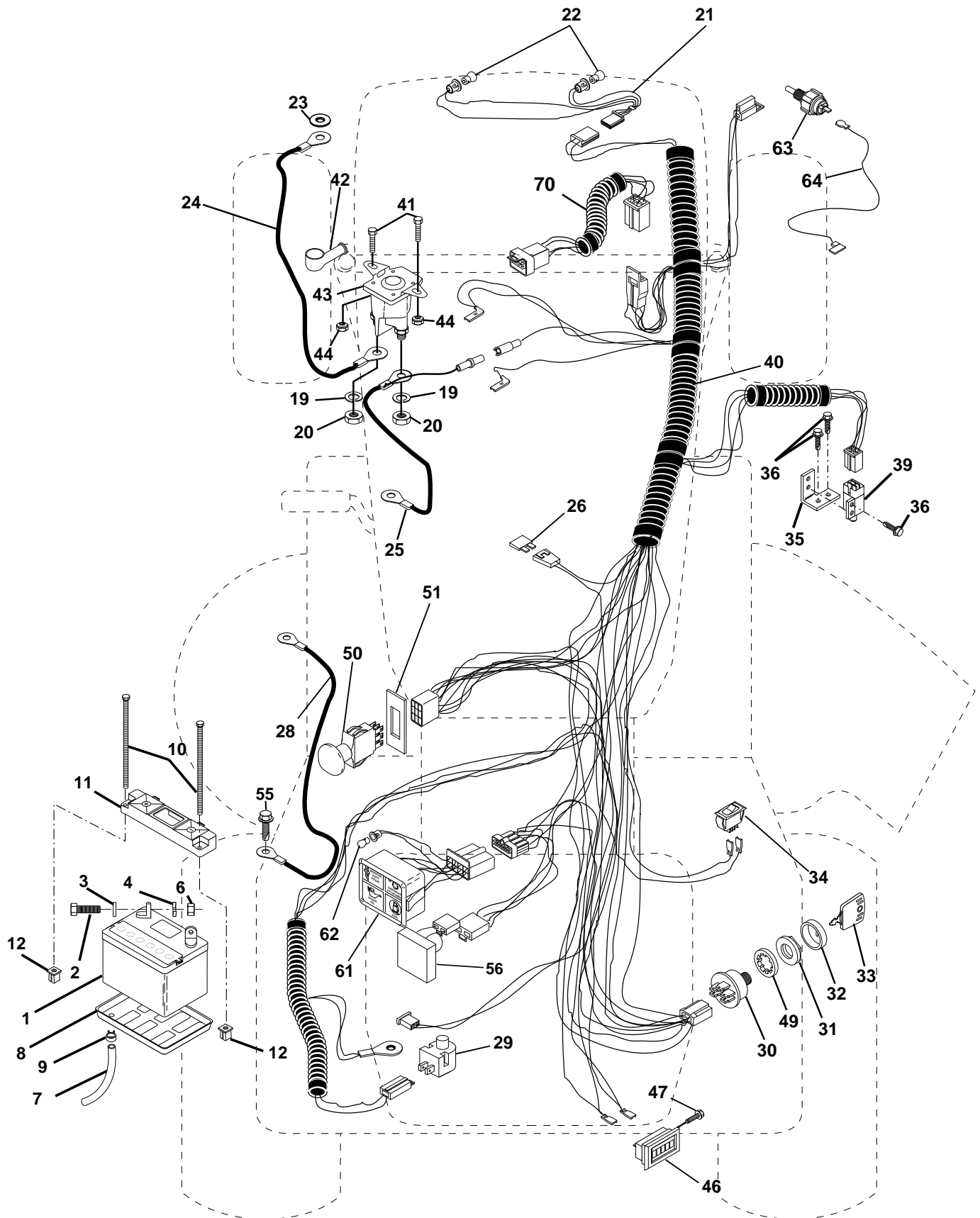


**12.1994**  
**PARTS LISTING**

**95400182B**

**TRACTOR - - MODEL NUMBER YT180 (954001082B)**

**ELECTRICAL**



# For Husqvarna Parts Call 606-678-9623 or 606-561-4983

## REPAIR PARTS

TRACTOR - - MODEL NUMBER YT180 (954001082B)

### ELECTRICAL

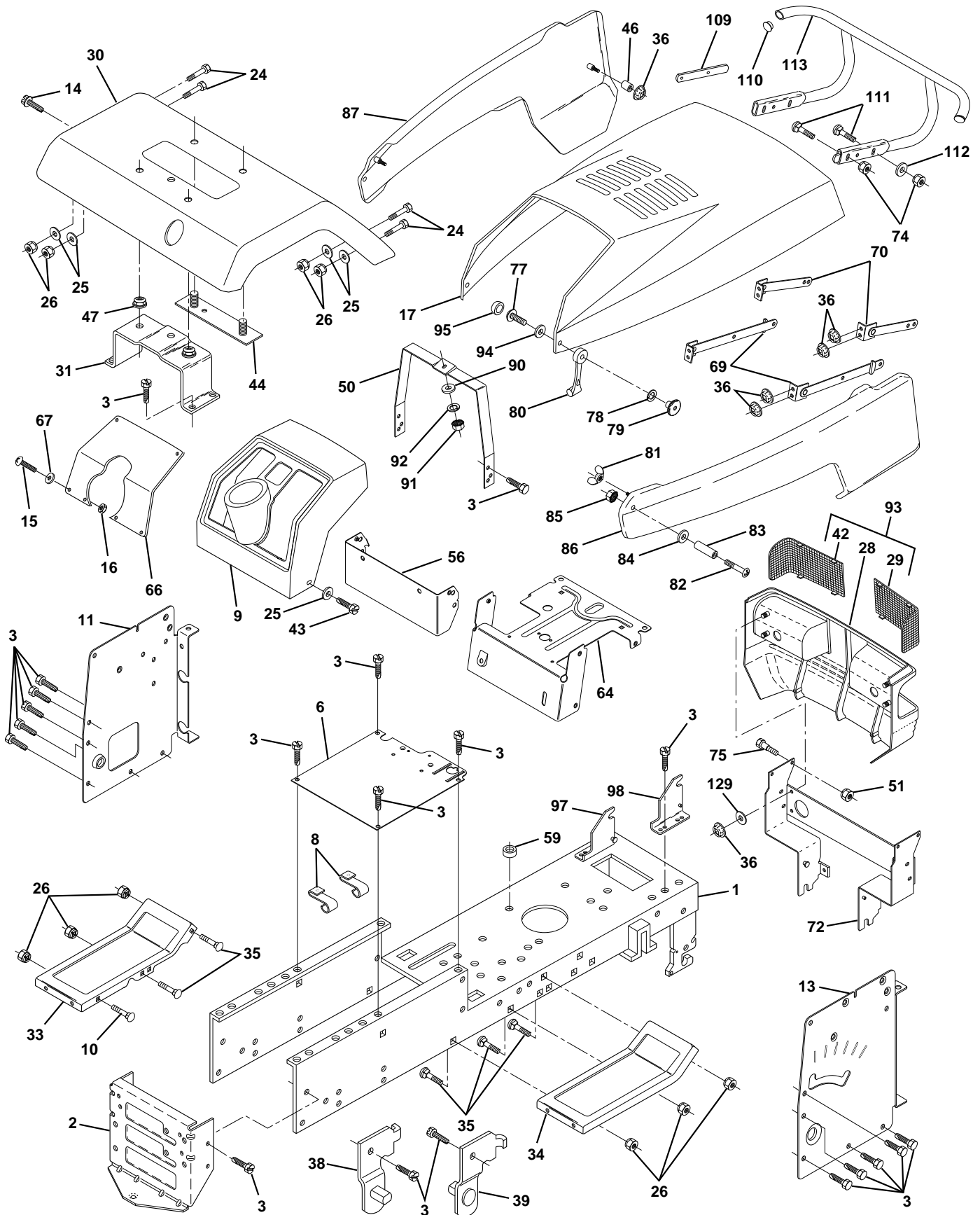
KEY NO.	PART NO.	DESCRIPTION
1	532144926	Battery
2	874760412	Bolt, Hex Head 1/4-20 x 3/4
3	819091016	Washer 9/32 x 5/8 x 16 Gauge
4	810040400	Washer, Lock 1/4
5	532121264	Caps, Battery
6	873220400	Nut, Hex 1/4-20
7	532007697	Tube, Tray, Battery
8	532124886	Tray, Battery
9	532109596	Clamp, Hose
10	532145211	Bolt Battery Frt 1/4-20 x 3/4 Zinc
11	532145209	Holddown Battery Dash Mount
12	532145769	Push Nut Nylon 1/4" Battery Frnt.
19	810090400	Washer, Lock 1/4
20	873350400	Nut, Hex, Jam 1/4-20
21	532136850	Harness, Socket, Light (Includes Key #11)
22	532004152	Bulb, Light
24	532124780	Cable Starter 6 Ga. 11" Red
25	532146148	Cable 6 Ga. Red 22' W/16 Wire
26	532108824	Fuse
28	532145491	Cable, Ground 21" Black 6 Ga.
29	532121305	Switch, Plunger
30	532144921	Switch, Ignition
31	532140400	Nut, Ignition
32	532141226	Bezel, Ignition
33	532140401	Key, Molded
34	532110712	Switch, Light
35	532108236	Bracket Switch Interlock
36	817021008	Screw, Hex Tap #10-24 UNC
39	532109553	Switch, Intlk 4 Term
40	532146061	Harness, Ignition
41	871110412	Bolt, Hex 1/4-20 x 3/4
42	532131563	Cover, Terminal
43	532145673	Solenoid
44	873510400	Nut, Hex, Keps 1/4-20
46	532110940	Meter, Hour
47	817011008	Screw #10-24 x 1/2
49	811151000	Washer Lock Internal Tooth 5/8
50	532140404	Switch, P.T.O.
51	532140405	Ring, Retainer PTO
55	817490508	Screw Thdrol 5/16-18 x 1/2
56	532127385	Sensor, Low Voltage
61	532126519	Package, Light
62	532110143	Bulb Dashboard Light 27 amp.
63	532142320	Switch Engine Oil Pressure
64	532144222	Wire Lead Sentry Vanguard
70	532142047	Harness Eng. Koh. Tw 16 AR O Pump

**NOTE:** All component dimensions given in U.S. inches.

1 inch = 25.4 mm

**TRACTOR - - MODEL NUMBER YT180 (954001082B)**

**CHASSIS AND ENCLOSURES**



# For Husqvarna Parts Call 606-678-9623 or 606-561-4983

## REPAIR PARTS

### TRACTOR - - MODEL NUMBER YT180 (954001082B)

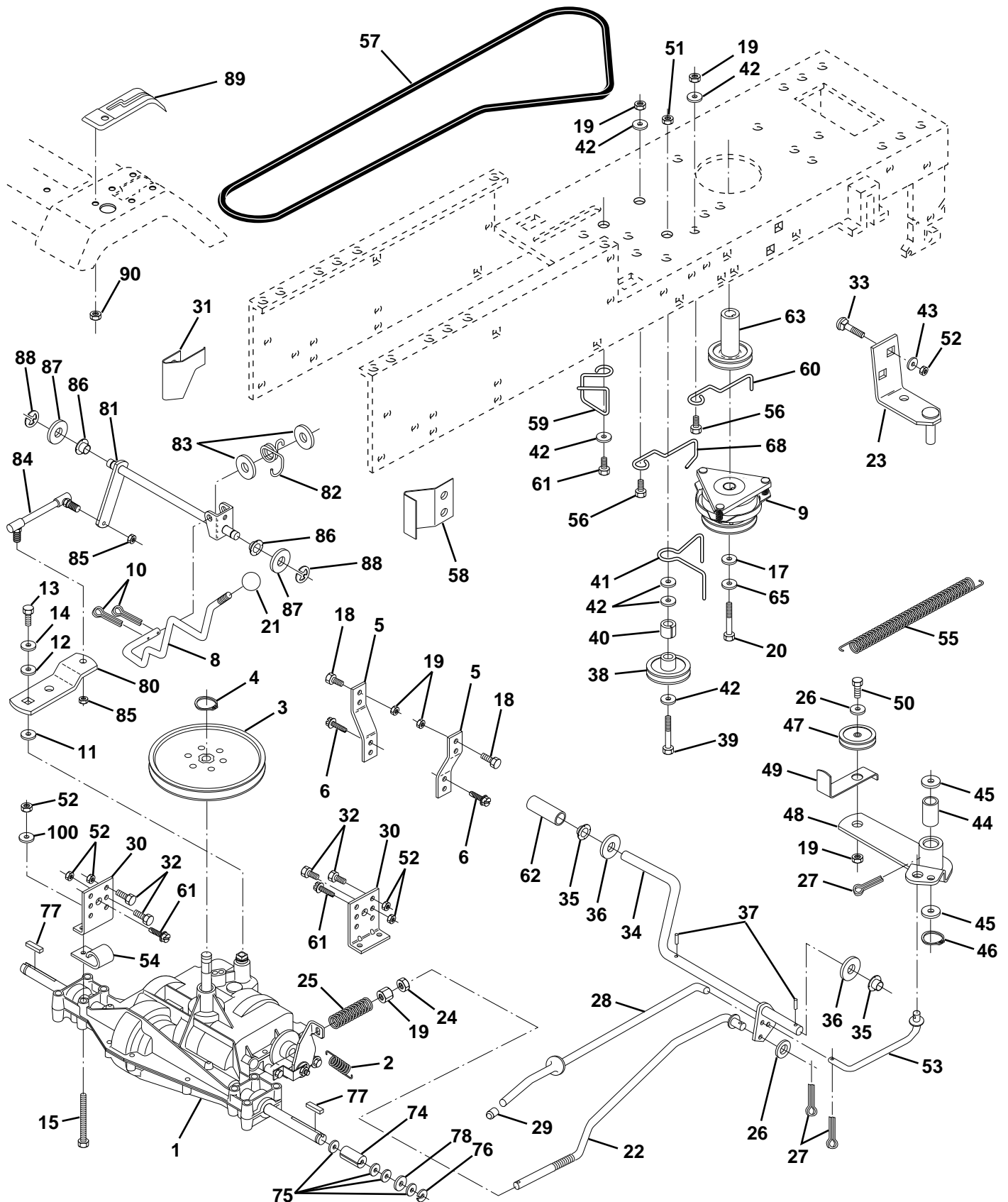
#### CHASSIS AND ENCLOSURES

KEY NO.	PART NO.	DESCRIPTION	KEY NO.	PART NO.	DESCRIPTION
1	532145501	Chassis WLDMT 11 Ga.	70	532104618	Strap Assembly, Hinge, Front
2	532140356	Drawbar	72	532124574	Support Assembly, Grille
3	817490612	Screw, Thd., Roll. 3/8-16 x 3/4	74	873680600	Nut Crownlock 3/8-16 UNC
6	532145206	Saddle	75	532123481	Bolt, Shoulder 1/4-20 UNC
8	532126471	Clip Insulator	77	874191008	Screw, Machine, Cross Pan Head #10-24 x 1/2
9	532140452	Dashboard	78	810071000	Washer, Lock #10
10	872140608	Bolt, Carriage 3/8-16 UNC x 1	79	532125004	Nut, Weld
11	532145218	Dash Panel, LH	80	532109808	Latch, Chute
13	532145217	Dash Panel, RH	81	532123198	Nut Plastic Locking Wing 1/4-20
14	817490608	Screw Thdrol. 3/8-16 x 1/2	82	874981020	Screw, Machine, Cross Pan Head #10-24 x 1-1/4
15	874180512	Screw, Machine 5/16-18 UNC x 3/4	83	532007206	Spacer, Split #10 x 3/4
16	873510500	Nut, Hex, Keps 5/16-18 UNC	84	819070818	Washer 7/32 x 1/2 x 18 Gauge
17	532125454	Hood	85	873731000	Nut, Hex, Keps #10-24 UNC
24	874780616	Bolt, Hex, Fin. 3/8-16 UNC x 1	86	532143365	Side Panel, RH
25	819131312	Washer 13/32 x 13/16 x 12 Gauge	87	532143364	Side Panel, LH
26	873800600	Nut Lock Hex W/Ins. 3/8-16 UNC	90	819091216	Washer 9/32 x 3/4 x 16 Gauge
28	532127325	Grille	91	873220400	Nut, Hex, Fin. 1/4-20 UNC
29	532124251	Lens, Headlight, RH, Smoked	92	810040400	Washer, Lock, Hvy Helical 1/4
30	532141449	Fender	93	532127320	Grill Assembly
31	532137113	Bracket Fender	94	532110357	Washer, Cap
33	532147203	Footrest, LH	95	532110356	Cap, Black
34	532147202	Footrest, RH	97	532110853	Pivot Bracket Assembly, LH
35	872110606	Bolt, Carriage 3/8-16 x 3/4	98	532110852	Pivot Bracket Assembly, RH
36	532108067	Nut Pal	109	532141461	Bracket Extension Bumper
38	532139886	Pivot Bracket Assembly, Rear, LH	110	532143679	Plug Plastic
39	532139887	Pivot Bracket Assembly, Rear, RH	111	872140610	Bolt, Carriage 3/8-16 x 1-1/4
42	532124250	Lens, Headlight, LH, Smoked	112	819131316	Washer 13/32 x 13/16 x 16 Ga.
46	532127316	Retainer	113	532141460	Bumper Asm
50	532145205	Support, Dash	129	819091016	Washer 9/32 x 5/8 x 16 Ga.
51	873800400	Nut Lock w/Ins. 1/4-20 UNC	—	532121794	Cover Access
56	532145151	Dash Extension	—	532125085	Plug Dash
59	532110436	Bushing Snap Split			
64	532145095	Dash, Lower			
66	532141626	Plate, Dash			
67	819111116	Washer 11/32 x 11/16 x 16 Gauge			
69	532106784	Strap Assembly, Hinge, Rear			

**NOTE:** All component dimensions given in U.S. inches  
1 inch = 25.4 mm

### TRACTOR - - MODEL NUMBER YT180 (954001082B)

#### DRIVE



# For Husqvarna Parts Call 606-678-9623 or 606-561-4983

## REPAIR PARTS

### TRACTOR - - MODEL NUMBER YT180 (954001082B)

#### DRIVE

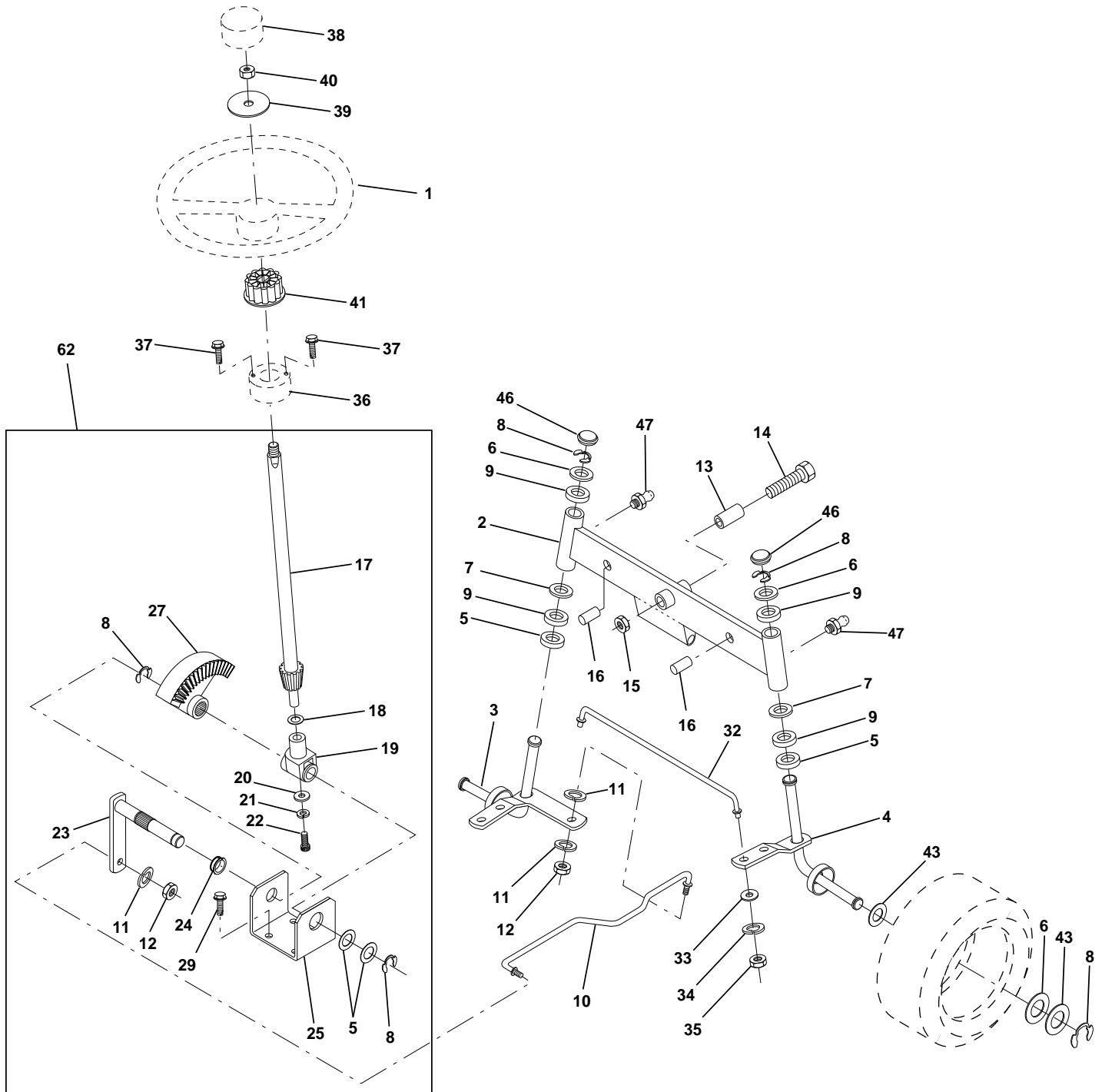
KEY NO.	PART NO.	DESCRIPTION	KEY NO.	PART NO.	DESCRIPTION
1	532145605	Transaxle 6sp Dana LT Model # 4360-96	44	532105706	Bearing Nyl 503 X 628 X 1 25
2	532146682	Spring Return Brake	45	532110812	Washer Hardened
3	532123666	Pulley Transaxle 20"tires	46	812000039	Ring Klip #t5304-50
4	812000028	Ring Retainer # 5100-62	47	532127783	Pulley Idler V Groove Plastic
5	532121520	Strap Torque 30 Degrees	48	532123789	Bellcrank Asm Clutch
6	817490512	Screw Thdrol 5/16-18 X 3/4 TYT	49	532123205	Retainer Belt Style Spring
8	532141002	Rod Shifter	50	874760624	Bolt Hex Hd 3/8-16unc X 1-1/2
9	532137140	Clutch Electric	51	873680600	Nut Crownlock 3/8-16 Unc
10	876020416	Pin Cotter 1/8 X 1 Cad	52	873680500	Nut Crownlock 5/16 - 18
11	532105701	Washer Plate Shf 388 Sq Hole	53	532105710	Link Clutch 7 66
12	819151216	Washer 15/32 X 3/4 X 16 Ga	54	532124996	Clip Fuel Line 13/32 Mtg. Hole
13	874550412	Bolt 1/4-28 unf Gr 8 w/Patch	55	532105709	Spring Return Clutch 6 75
14	810040400	Washer Lock Hvy Helical 1/4	56	874760620	Bolt Fin Hex 3/8-16unc X 1-1/4
15	874780544	Bolt Fin Hex 5/16-18uncx 2 3/4	57	532130801	V-Belt Ground Drive 95 25 42"
17	532126197	Washer 1-1/2 OD X 15/32 ID X .250	58	532127274	Keeper Belt RH LT Pnt/zinc 16g
18	874780616	Bolt Fin Hex 3/8-16unc X 1 Gr. 5	59	532140312	Keeper Belt Chassis Span Ctr
19	873800600	Nut Lock 3/8-16 Unc	60	532121218	Keeper Belt Engine LH LT
20	871170768	Bolt, Hex 7/16-20 x 4-1/4	61	817490612	Screw Thdrol 3/8-16x3/4 Ty-tt
21	532121274	Knob Duckhead 3/8-16unc Blk	62	532123533	Cover Pedal Premuim
22	532130804	Rod Brake Blk Zinc 27 326	63	532140189	Engine Pulley LT/YT
23	532137141	Bracket Asm. Clutch	65	810040700	Washer Lock Hvy Hlcl Spr 7/16
24	873350600	Nut Hex Jam 3/8-16 Unc	68	532105730	Keeper Belt Engine BZP Zinc
25	532106888	Spring Rod Brake 2 00 Zinc	74	532109502	Spacer Split
26	819131316	Washer 13/32 X 13/16 X 16 Ga	75	532121749	Washer 25/32 X 1 1/4 X 16 Ga
27	876020412	Pin Cotter 1/8 X 3/4 Cad	76	812000001	E-ring #5133-75
28	532145204	Rod Brake Parking	77	532123583	Key Square 2 0 X 1845/ 1865
29	532071673	Cap Brake Parking Black	78	532121748	Washer 25/32 X 1-5/8 X 16 Ga
30	532130807	Bracket Mtg Transaxle	80	532131487	Arm Shift Transaxle
31	532127275	Keeper Belt LH LT 14 Ga	81	532136933	Shaft Asm Cross 20"t 42"deck
32	874760512	Bolt Hex Hd 5/16-18unc X 3/4	82	532123782	Spring Torsion T/a
33	872140506	Bolt, Carriage 5/16-18 x 3/4	83	819171216	Washer 17/32 X 3/4 X 16 Ga
34	532149001	Shaft Asm Pedal Foot	84	532132183	Rod Tie Shift Adj Ball
35	532120183	Bearing Nylon Blk 629 Id	85	873530400	Nut Nylock 1/4-28
36	819211616	Washer 21/32 X 1 X 16 Ga	86	532071208	Bushing Rod Strg 629/632 Id
37	532124963	Pin Roll 3/16 X 1"	87	819212016	Washer 21/32 X 1-1/4 X 16 Ga
38	532123674	Pulley Idler Flat	88	812000008	Ring Klip #5304-62
39	874760644	Bolt Fin Hex 3/8-16unc X 2-3/4	89	532139991	Console Shift 6sp W/ign LT
40	532124965	Spacer Split 395 X 59 Bzp	90	532124346	Nut Self-thd wsh-hd 1/4 zinc
41	532109070	Keeper Belt Retainer	100	819111216	Washer 11/32 x 3/4 x 16 Ga.
42	819131312	Washer 13/32 X 13/16 X 12 Ga			
43	819111012	Washer 11/32 x 5/8 x 12 Ga.			

**NOTE:** All component dimensions given in U.S. inches  
1 inch = 25.4 mm

# For Husqvarna Parts Call 606-678-9623 or 606-561-4983 REPAIR PARTS

## TRACTOR - - MODEL NUMBER YT180 (954001082B)

### STEERING ASSEMBLY





# For Husqvarna Parts Call 606-678-9623 or 606-561-4983

## REPAIR PARTS

TRACTOR - - MODEL NUMBER YT180 (954001082B)

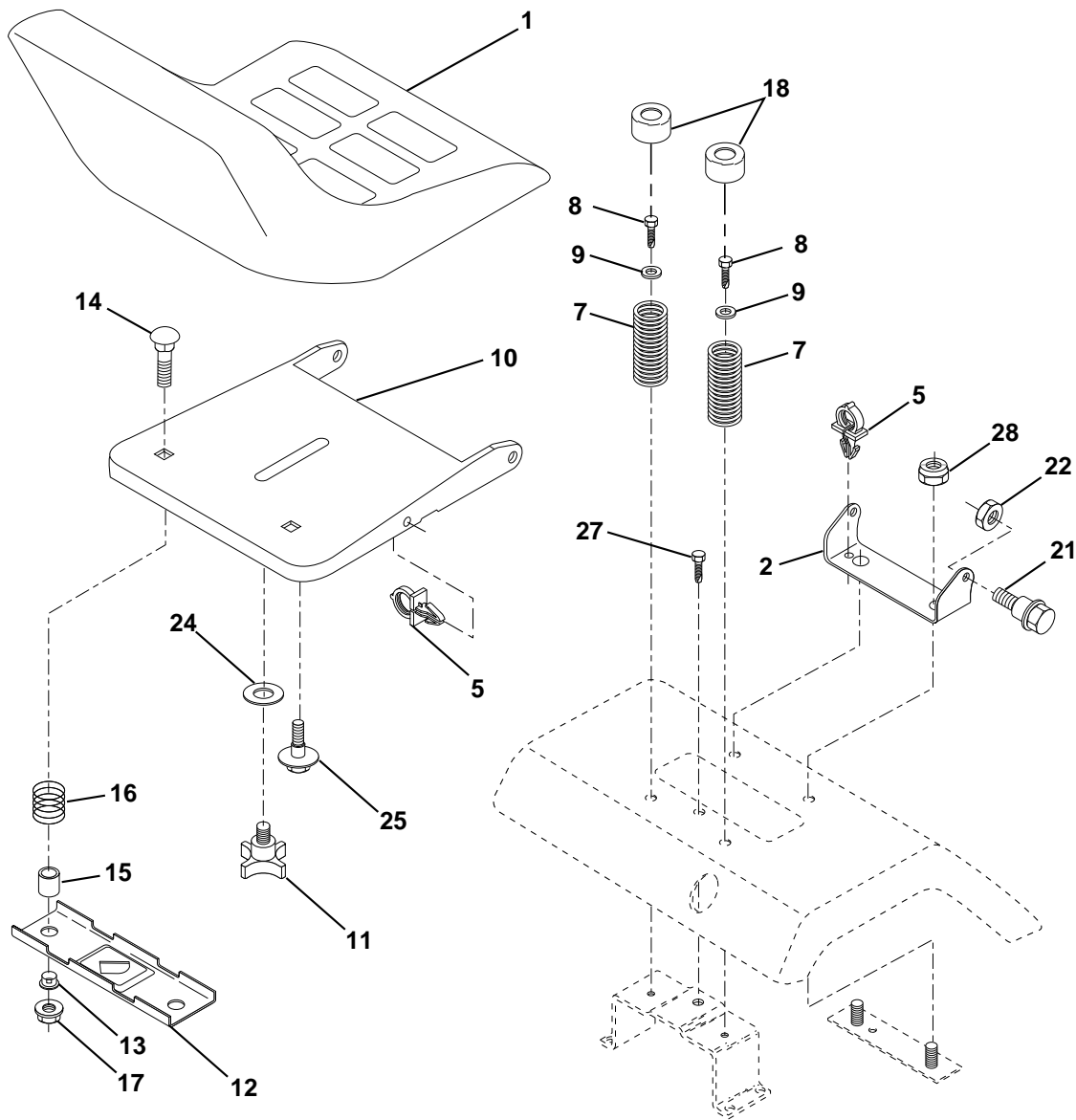
### STEERING ASSEMBLY

KEY NO.	PART NO.	DESCRIPTION
1	532124415	Wheel Steering Auto Grey
2	532142033	Axle Asm Fr LT W/gzks 38/42
3	532135227	Spindle Asm LH
4	532135228	Spindle Asm RH
5	532124931	Bearing Race Thrust Harden
6	532121748	Washer 25/32 X 1-5/8 X 16 Ga
7	819272016	Washer 27/32 X 1-1/4 X 16 Ga
8	812000029	Ring Klip #t5304-75
9	532124937	Bearing Col Strg Blk
10	532130468	Link Drag Sol Ball Jt 20 064
11	810040600	Washer Lock Hvy Hlcl Spr 3/8
12	873610600	Nut Fin Hex 3/8-24 Unf
13	532110438	Spacer Bearing Axle Front
14	874011056	Bolt Hex 5/8-11 Unc X 3-1/2
15	873901000	Nut Lock Flange 5/8-11 Unc
16	532132624	Pin Axle 5/8 X 1 55/1 54 Lg
17	532128762	Shaft Asm Strg 20 31 x 3/4 YP YT
18	532057079	Washer Thrust 515x 750x 033
19	532124035	Support Shaft
20	532126684	Washer Shim 1/4 X 5/8 X 062
21	810040400	Washer Lock Hvy Helical 1/4
22	871070410	Screw Hex Socket 1/4-20 X 5/8
23	532127501	Shaft Asm Pittman
24	532109816	Nyliner Snap In
25	532124036	Bracket Steering
27	532136874	Gear Sector
29	817490612	Screw Thdrol 3/8-16x3/4 Ty-tt
32	532130467	Rod Tie Wire Form 19 75 Elec
33	819111216	Washer 11/32 x 3/4 x 16 Ga.
34	810040500	Washer, Lock Hvy Hlcl Spr 5/16
35	873810500	Locknut 5/16-24 Unf
36	532145207	Bushing Strg Angle 3/4"
37	817431008	Screw Slftp #10-16 X 1/2 Ty-b
38	532124416	Insert Cap Strg Wh Aut Hus Gry
39	532100712	Washer 53 X 2 25 X 160 Zinc
40	873940800	Nut Hex Jam Toplock 1/2-20 Unf
41	532100711	Adapter Wheel Strg 758/ 753id
43	532121749	Washer 25/32 X 1 1/4 X 16 Ga
46	532121232	Cap Spindle Fr Top Blk
47	532124836	Fitting Grease

**NOTE:** All component dimensions given in U.S. inches  
1 inch = 25.4 mm

**TRACTOR - - MODEL NUMBER YT180 (954001082B)**

**SEAT ASSEMBLY**



KEY NO.	PART NO.	DESCRIPTION
1	532124186	Seat V-550 Gry/blk Std
2	532140551	Bracket Pivot Seat 8 720
5	532145006	Clip Push-in Hinged
7	532124181	Spring Seat Cprsn 2 250 Blk Zi
8	817490508	Screw Hwsh Thdrol 5/16-18 x 1/2
9	819131614	Washer 13/32 X 1 X 14 Ga
10	532140552	Pan Seat
11	532120068	Knob Seat 1/2-13unc Blk
12	532121246	Bracket Mounting Switch
13	532121248	Bushing Snap Blk Nyl 50 Id
14	872050411	Bolt Rdhd Sht Nk 1/4-20x1-3/8
15	532121249	Spacer Split 28x 88 Yel Zinc

KEY NO.	PART NO.	DESCRIPTION
16	532123740	Spring Cprsn 1 310 Blk Pnt
17	532123976	Nut Lock 1/4 Lge Flg Gr 5 Zinc
18	532124238	Cap Spring Seat
21	532139888	Bolt Shoulder 5/16-18 Unc Blkz
22	873680500	Nut Crown Lock 5/16-18
24	819171912	Washer 17/32 X 1-3/16 X 12 Ga
25	532127018	Bolt Shoulder 5/16-18 X 62
27	817490608	Screw Thdrol 3/8 - 16 x 1/2 Ty-TT
28	873680600	Nut Crownlock 3/8-16 Unc

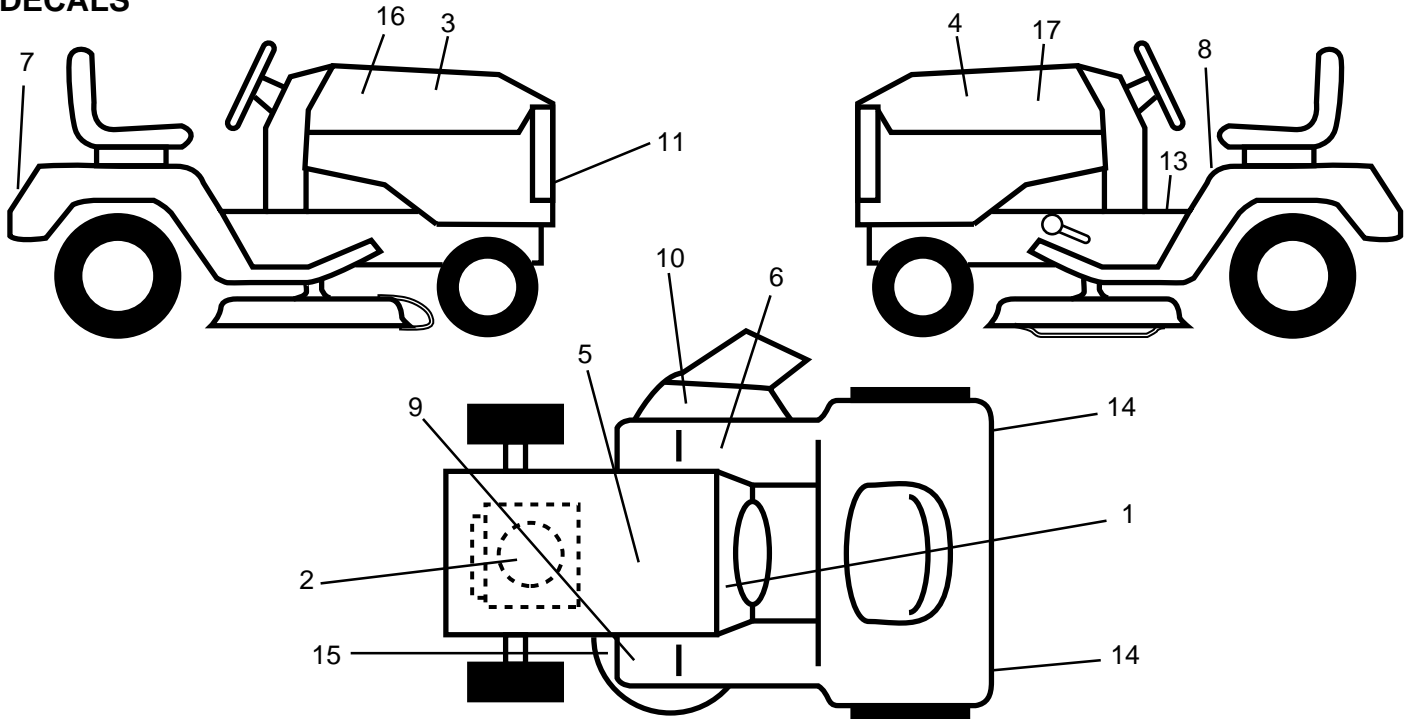
**NOTE:** All component dimensions given in U.S. inches  
 1 inch = 25.4 mm

# For Husqvarna Parts Call 606-678-9623 or 606-561-4983

## REPAIR PARTS

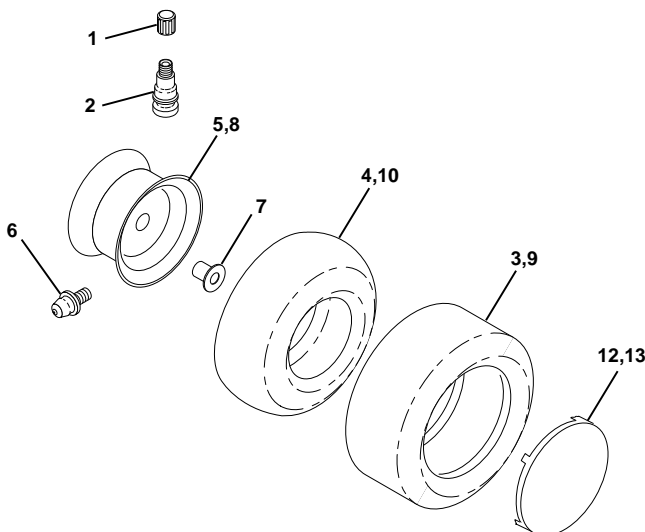
### TRACTOR - - MODEL NUMBER YT180 (954001082B)

#### DECALS



KEY NO.	PART NO.	DESCRIPTION	KEY NO.	PART NO.	DESCRIPTION
1	532138956	Decal Instruction Dash Eng/fr	15	532136832	Decal V-Belt Mower Multi-Lang.
2	532132507	Decal HP Engine	16	532140858	Decal Insert Hood Rh YT180 6 sp.
3	532140728	Decal Hood RH Husq	17	532140859	Decal Insert Hood Lh YT180 6sp.
4	532140729	Decal Hood LH Husq	-	532145247	Fastner Pop In Footrest
5	532145005	Decal Bat Dan/Poi P/L Symbols	-	532145246	Pad Footrest Rbr. Sq. Generic 95
7	532131582	Decal Fender Husqvarna	-	532138311	Decal Lift Handle(Lift Handle)
8	532133795	Decal Caution Fender Eng/fr	-	532145534	Manual Owners, English
9	532101892	Decal Clutch/brake Eng/fr	-	532145535	Manual Owners, French
10	532137259	Decal Warning MULT-LANGUAGE	Available accessories not included with tractor:		
11	532125989	Decal Grille Husqvarna	-	MK420	Mulching Kit
13	532140837	Decal Brake Parking Saddle	-	LSB42	Snow Blower
14	532106202	Reflector Tail Light Red/amber	-	LC05	33 lb. wheel weights (Pair)
			-	C42	Grass Catcher for 42"
			-	LBD48	Snow Blade
			-	LC06	Tire Chains

#### WHEELS & TIRES

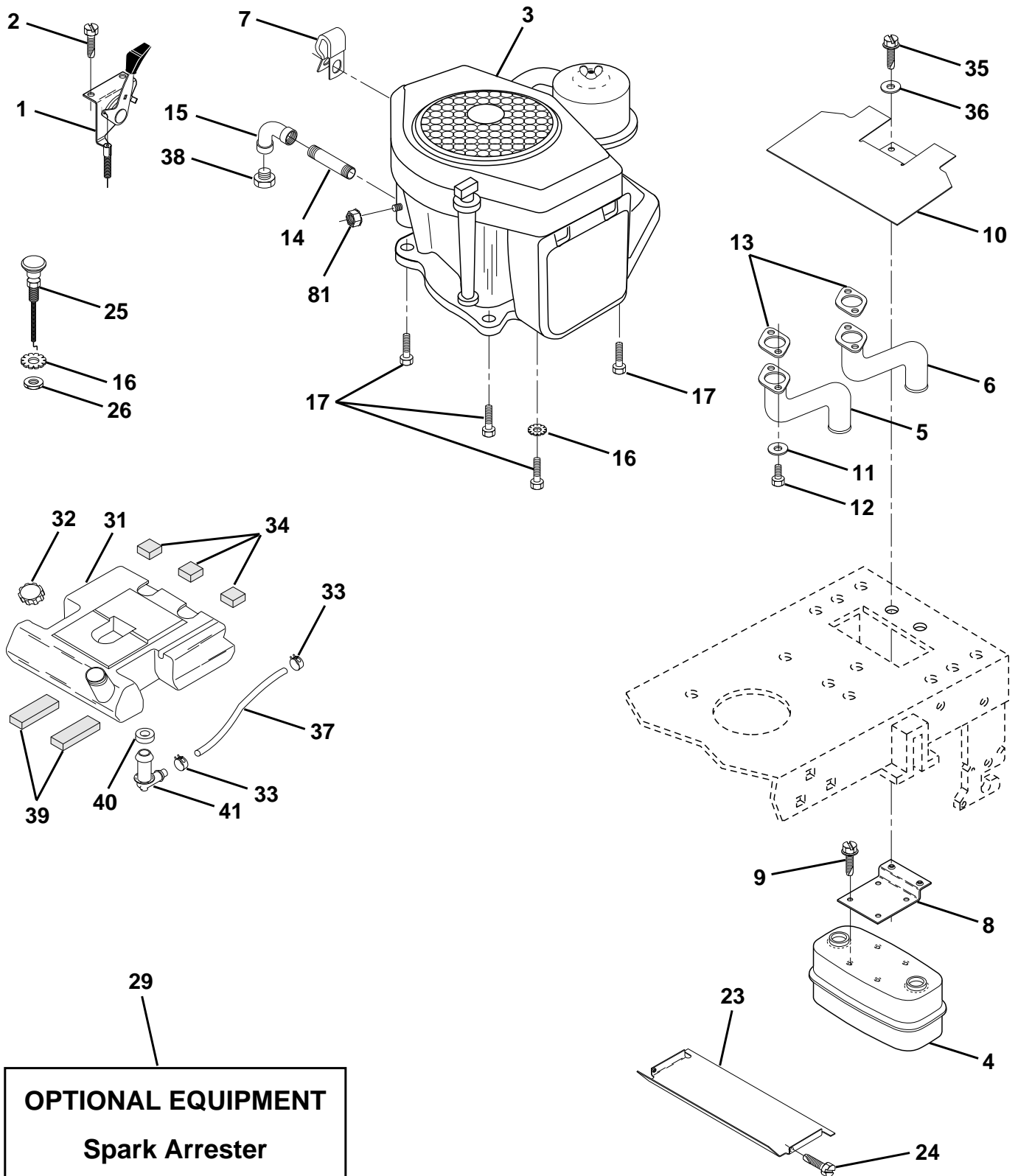


KEY NO.	PART NO.	DESCRIPTION
1	532059192	Cap Valve Tire
2	532065139	Stem Valve
3	532106222	Tire F Ts 15 X 6 0 - 6 Service
4	532059904	Tube Front (Service Item Only)
5	532141446	Rim Asm 6" front White Service
6	532124957	Fitting Grease (Front Wheel Only)
7	532124959	Bearing Flange (Front Wheel Only)
8	532141447	Rim Asm 8"rear White Service
9	532122082	Tire R Ts 20 10 C Service
10	532124926	Tube Rear (Service Item Only)
12	532124577	Cover Wheel 6"white
13	532124578	Cover Wheel 8"white

**NOTE:** All component dimensions given in U.S. inches  
1 inch = 25.4 mm

**TRACTOR - - MODEL NUMBER YT180 (954001082B)**

**ENGINE**



**OPTIONAL EQUIPMENT**  
**Spark Arrester**

# For Husqvarna Parts Call 606-678-9623 or 606-561-4983

## REPAIR PARTS

TRACTOR - - MODEL NUMBER YT180 (954001082B)

### ENGINE

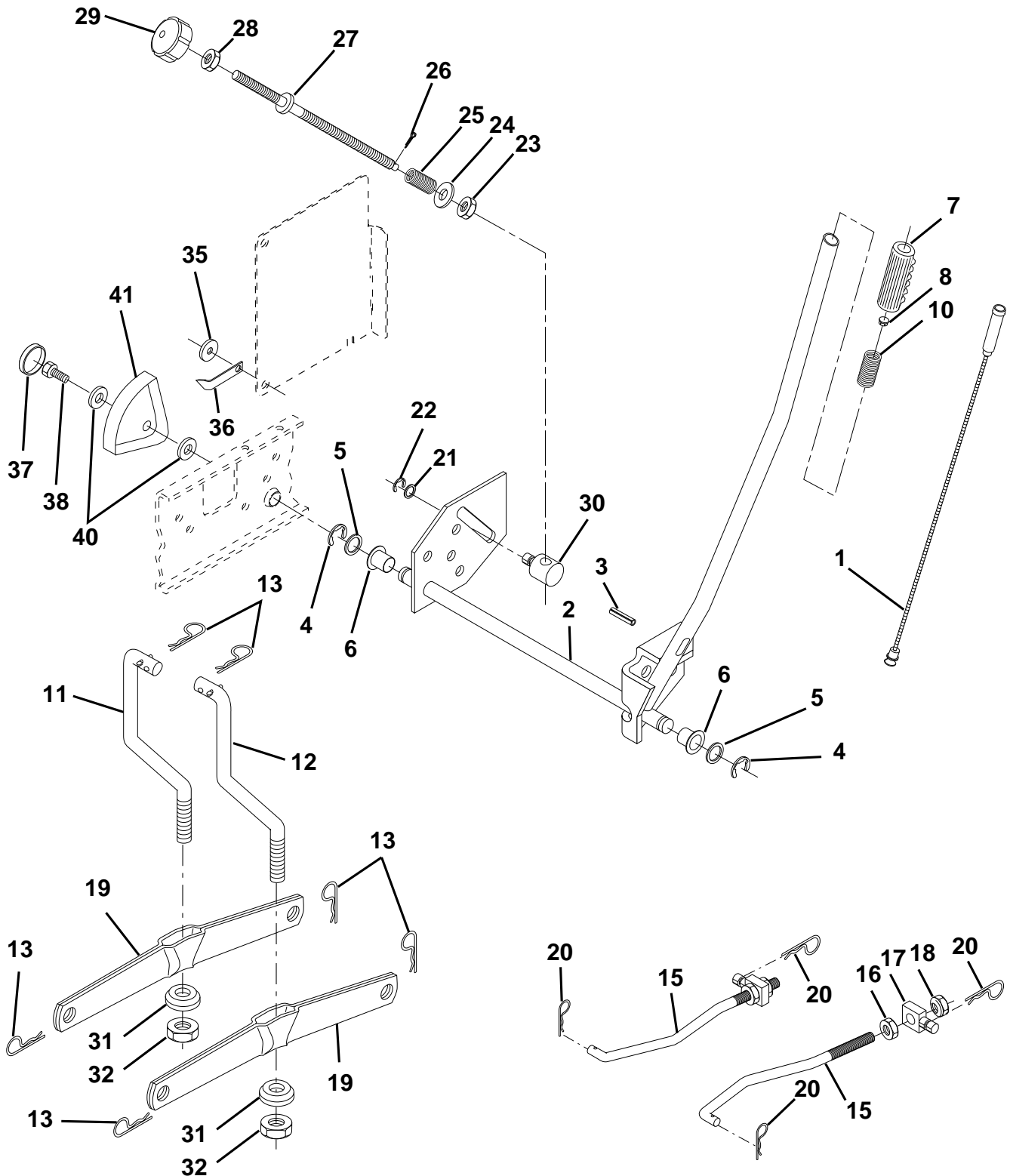
KEY NO.	PART NO.	DESCRIPTION
1	532137214	Control RH Blk Flg 37 88
2	817720410	Screw Hex Thd Cut 1/4-20x5/8 T
3	-----	Engine Model No. MV18
4	532137978	Muffler LT B&S
5	532136215	Tube Manifold LH
6	532136216	Tube Manifold RH
7	532124996	Clip Line Fuel 13/32 Mtg. Hole
8	532122439	Bracket Muffler Mounting
9	817190408	Screw Hex Wsh Thd Cut 1/4-20
10	532145552	Shield Heat LT
11	810040500	Washer Lock Hvy Hlcl 1/4 (Order from Engine Manufacturer)
12	874570512	Bolt, Fin Hex 1/4-20 x 3/4 (Order from Engine Manufacturer)
13	-----	Muffler Gasket (Order from Engine Manufacturer)
14	813280336	Nipple Pipe 3/8 Npt X 4-1/2"
15	813200300	Elbow Std 90 Degree 3/8-18 Npt
16	811050600	Washer Lock Ext Tooth 3/8
17	817490624	Screw Thdrol 3/8-16 x 1-1/2
23	532128953	Shield Heat Browning LT/YT
24	817021008	Screw Tap Hex #10-24unc X 1/2
25	532132782	Choke Control
26	873610600	Nut, Fin Hex 3/8-24 Unf
29	532137180	Kit Spark Arrestor (Flat Scrn)
31	532141070	Tank Fuel 3 50 Rear
32	532140527	Cap Asm Fuel W/sym Vented
33	532123487	Clamp Hose Blk
34	532106082	Pad, Spacer
35	817490512	Screw Thdrol 5/16-18 x 3/4
36	819132012	Washer 13/32 x 1-1/4 x 12 Ga.
37	532008543	Line Fuel 54"
38	-----	Plug Oil Drain (Order From Engine Manufacturer)
39	532109227	Pad, Idler
40	532124952	Bushing
41	532139277	Stem Tank Fuel
81	873510400	Nut Keps Hex 1/4-20 Unc

**NOTE:** All component dimensions given in U.S. inches.  
1 inch = 25.4 mm

# For Husqvarna Parts Call 606-678-9623 or 606-561-4983 REPAIR PARTS

TRACTOR - - MODEL NUMBER YT180 (954001082B)

## MOWER LIFT ASSEMBLY



# For Husqvarna Parts Call 606-678-9623 or 606-561-4983

## REPAIR PARTS

TRACTOR - - MODEL NUMBER YT180 (954001082B)

### MOWER LIFT ASSEMBLY

KEY NO.	PART NO.	DESCRIPTION
1	532136971	Wire Asm Inner W/plunger 20 56
2	532136968	Shaft Asm Lift RH w/Inf W/T
3	532138284	Pin Groove 1 500 Zinc
4	812000002	E Ring #5133-62
5	819211621	Washer 21/32 X 1 X 21 Ga
6	532120183	Bearing Nylon Blk 629 Id
7	532125631	Grip Handle Fluted Blk
8	532124526	Button Plunger Black
10	532122512	Spring Cprsn 3 750 Oiled
11	532139865	Link Lift LH Fixed Length
12	532139866	Link Lift RH Fixed Length
13	532124670	Retainer Spring
15	532127218	Link Front
16	873350800	Nut Jam Hex 1/2-13 Unc
17	532130171	Trunnion Blk Zinc
18	873800800	Nut Lock W/wsh 1/2-13unc
19	532139868	Arm Suspension Rear
20	532124660	Retainer Spring
21	819151216	Washer 15/32 X 3/4 X 16 Ga
22	812000037	Ring Klip #t5304-37
23	532110807	Nut Special
24	819131016	Washer 13/32 X 5/8 X 16 Ga
25	532137150	Spring Compression
26	876020308	Pin Cotter 3/32 X 1/2
27	532137167	Rod Adj Lift Zinc 9 75 Wrk Lg
28	873350600	Nut Hex Jam 3/8-16 Unc
29	532138057	Knob Inf 3/8-16 Unc Blk W/sym
30	532110810	Trunnion Dp Stop Dbl Thds PLT
31	532140302	Bearing Pvt Lift Spherical
32	873540600	Nut Crownlock 3/8-24
35	532120529	Washer Nylon .44 x .75 x .032
36	532138346	Pointer Pnt Height ind .505
37	532123935	Plug Hole Blk 1.485/1.515 Dia.
38	817490512	Screw Thdrol 5/16-18 x 3/4
40	819112410	Washer 11/32 x 1-1/2 10 Ga.
41	532123934	Scale Ind. Height Blk.

**NOTE:** All component dimensions given in U.S. inches  
1 inch = 25.4 mm





# For Husqvarna Parts Call 606-678-9623 or 606-561-4983

## REPAIR PARTS

### TRACTOR - - MODEL NUMBER YT180 (954001082B)

#### MOWER DECK

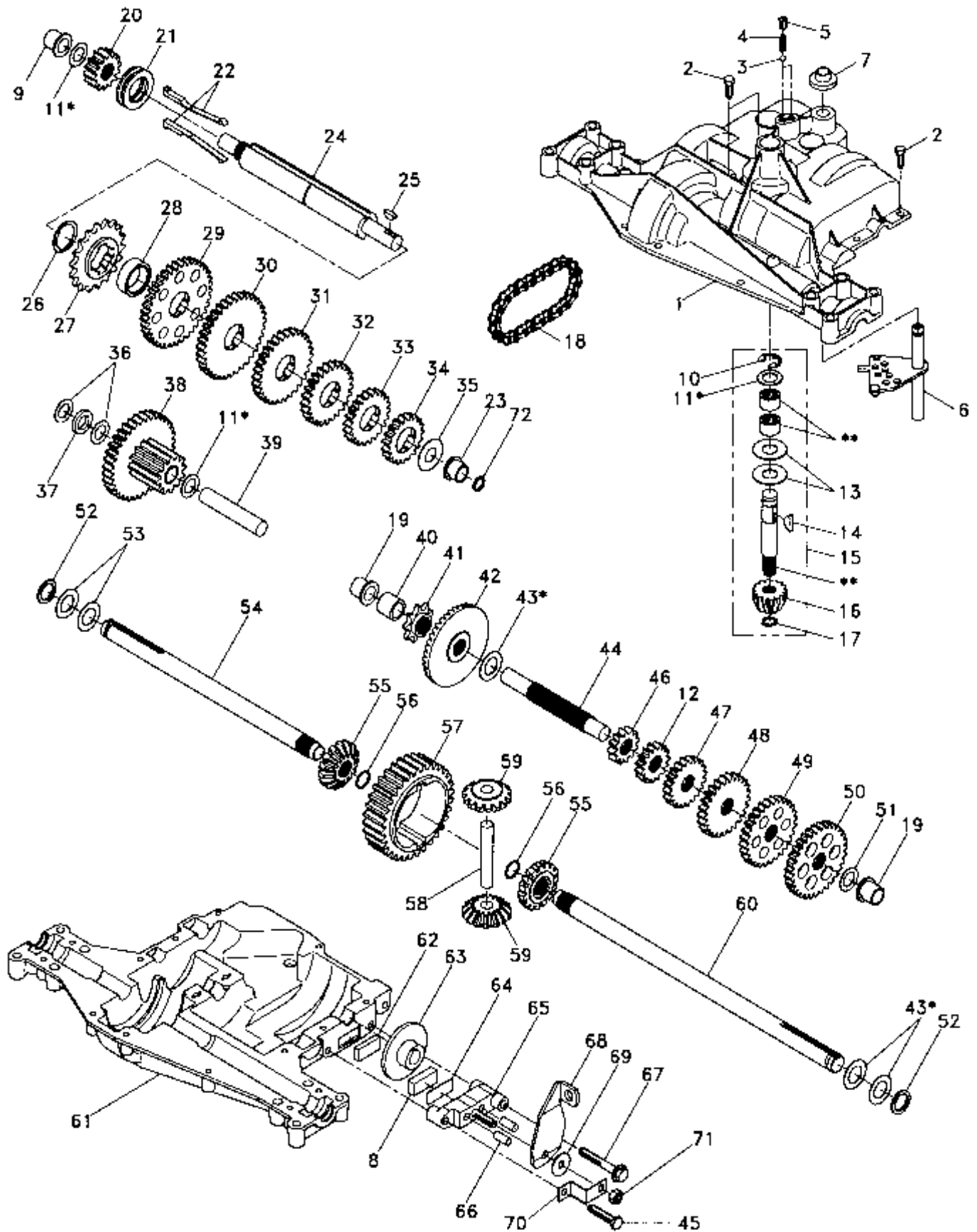
KEY NO.	PART NO.	DESCRIPTION	KEY NO.	PART NO.	DESCRIPTION
1	532144393	Deck Asm MWR 42"weldment	55	532140084	Arm Idler 42"mower LT/YT
2	872140506	Bolt Rdhd Sqnk 5/16-18unc X3/4	56	532122052	Spacer Retainer Pm Mower
3	532138017	Bracket Asm Fr Sway Bar 38/42	59	532141043	Guard, Belt
4	532138440	Bracket Asm Deck 42"sway Bar	61	532131950	Spring Ext. Elect
5	532124670	Retainer Spring	68	532144200	V-Belt Mower
6	532130832	Arm Suspension Rear	83	532120958	Washer Sintered
8	532850857	Bolt 3/8-24x1 25 Gr8 Patched	84	532144394	Keeper Belt Idler Fixed
9	810030600	Washer Lock Hvy 3/8 Unplated	85	872140620	Bolt Carriage 3/8-16 x 2-1/2 Gr. 5
10	532140296	Washer Hard Blade Mower Vented	90	874760616	Bolt Fin Hex 3/8-16unc X 1
11	532134149	Blade Mower Mulching 42"	91	532132274	Bracket Asm Noseroller LH
12	532129895	Bearing Ball #6204 (Mandrel)	92	873800600	Nut Lock 3/8-16 Unc
13	532137645	Shaft Asm W/lower Bearing	93	819171416	Washer 17/32 X 7/8 X 16 Ga
14	532128774	Housing Mandrel Vented(machd)	94	532132264	Roller Nose 38 & 42
15	532110485	Bearing Ball Mandrel	95	532132273	Bracket Asm Noseroller RH
16	532140329	Stripper Mower Vented	101	532136420	Cover Mulching 42" Black
17	872110618	Bolt Carriage 3/8-16 X 2-1/4	102	871161010	Screw
18	872140505	Bolt Carr 5/16-18 X 5/8	103	819061216	Washer #10
19	532132827	Bolt Shoulder	104	810071000	Washer Lock #10
20	532136888	Baffle Vortex 42	105	532130758	Latch Asm. Bagger
21	873680500	Nut Crown Lock 5/16-18	106	532125004	Nut Weld
22	532134753	Stiffener Bracket 42"deck	111	532140353	Bracket Wheel Gauge Lh 42" Deck
23	532131267	Bracket Deflector Mower 42"	112	532132262	Bracket Wheel Gauge Rh 42" Deck
24	532105304	Cap Sleeve 80x 112 Blk Mower	113	817490512	Screw Thdrol 5/16-18 x 3/4
25	532123713	Spring Torsion Deflector 2 52	114	873510500	Nut Keps 5/16-18 UNC
26	532110452	Nut Push Phos & Oil	115	872110504	Bolt Carriage 5/16-Unc x 1/2
27	532130968	Shield Deflector Mower 42" Blk	116	532137644	Bolt Shld "A" 2.41 "B" 1.66
28	819111016	Washer 11/32 X 5/8 X 16 Ga	117	532105455	Wheel Gauge blk. 4.93
29	532131491	Rod Hinge 42"6 75 Wlg	118	873930600	Nut Centerlock 3/8-16 UNC
30	532138776	Screw Thdrol Hex Hd Zinc Mwr.	119	819121414	Washer 3/8 x 7/8 x 14 Ga.
31	532129963	Washer Spacer Mower Vented	120	819171512	Washer 17/32 x 15/16 x 12 Ga.
32	532129861	Pulley Mandrel 42"	121	532143723	Bracket Extruded Gauge Wheel
33	532137266	Nut 9/16top Lock Flng Cntr	125	876020816	Pin Cotter 1/4 x 1 Plated
34	872110622	Bolt Rdhd 3/8-16uncx2-3/4 Gr5	--	532145452	Deck Serv 42" Elec Vent (Standard Deck - Order Nose Roller, Mulch Cover and Gauge Wheel components separately Key Nos. 90-95, 101-106, and 111-121)
35	532133835	Fastner Christmas Tree			
36	532131494	Pulley Idler Flat 3 060			
37	819131316	Washer 13/32 X 13/16 X 16 Ga			
38	532132823	Spacer Spring Stop Idler			
40	873680600	Nut Crownlock 3/8-16 Unc	--	532130794	Mandrel Assembly (Includes Key Numbers 8-10, 12-15, 31 and 33)
44	532140088	Guard Mandrel LH Black			
46	532137729	Screw Thdrol 1/4-20x5/8			
54	532133943	Washer Hardened			

**NOTE:** All component dimensions given in U.S. inches  
1 inch = 25.4 mm

# For Husqvarna Parts Call 606-678-9623 or 606-561-4983 REPAIR PARTS

TRACTOR - - MODEL NUMBER YT180 (954001082B)

DANA TRANSAXLE - - MODEL NUMBER 4360-96



# For Husqvarna Parts Call 606-678-9623 or 606-561-4983

## REPAIR PARTS

**TRACTOR - - MODEL NUMBER YT180 (954001082B)**

**DANA TRANSAXLE - - MODEL NUMBER 4360-96**

KEY PART NO.	NO.	DESCRIPTION	KEY PART NO.	NO.	DESCRIPTION
1	532132671	Housing, Upper	39	532124639	Shaft, Idler
2	532002274	Screw, Tapping, Large 1/4-20 x .734	40	532120472	Spacer .633 x .87 x .755
3	532134400	Ball, Detent	41	532105928	Sprocket, 9 Teeth
4	532105904	Spring, Detent	42	532106605	Gear, Bevel, 42 Teeth
5	532105905	Screw, Set	43	532134394	Assembly, Kit, Shim, .750 Shaft
6	532138235	Kit, Shifter Assembly	44	532120473	Shaft, Drive
7	532134399	Boot, Shifter	45	532106596	Screw, Tapping, Large 5/16-18 x 1.44
8	532120951	Puck, Friction	46	532142678	Gear, Spur, 12 Teeth
9	532148266	Bearing, Flange	47	532120407	Gear, Spur, 20 Teeth
10	532002225	Ring, Retaining	48	532106589	Gear, Spur, 25 Teeth
11	532134793	Assembly, Kit, Shim, .625 Shaft	49	532120408	Gear, Spur, 28 Teeth
12	532143679	Gear, Spur, 15 Teeth	50	532105937	Gear, Spur, 31 Teeth
13	532120415	Washer, Plain .632 x 1.38 x .046	51	532002226	Washer, Plain .632 x 1.00 x .060
14	532142674	Key, Woodruff, #9	52	532134401	Washer, Neoprene
15	532106846	Assembly, Kit, Input Shaft	53	532002264	Washer, Plain .758 x 1.25 x .031
16	532106095	Pinion, Bevel, 14 Teeth	54	532120474	Axle, L.H.
17	532105909	Ring, Retaining	55	532110081	Gear, Miter, 15 Teeth
18	532 105910	Chain, 24 Pitches	56	532105941	Ring, Retaining
19	532105911	Bearing, Flange	57	532110071	Gear, Spur, 32 Teeth
20	532142675	Gear, Spur, 14 Teeth	58	532120952	Shaft, Cross
21	532148267	Collar, Clutch	59	532110082	Gear, Miter, 15 Teeth
22	532138237	Assembly, Kit, Clutch Keys	60	532120475	Axle, R.H.
23	532148268	Bearing, Flange	61	532142680	Housing, Lower
24	532142676	Shaft, Intermediate	62	532120961	Puck, Friction
25	532002244	Key, Woodruff, #61	63	532007294	Disc, Brake
26	532105916	Ring, Retaining	64	532108989	Spacer
27	532120470	Sprocket, 18 Teeth	65	532120953	Jaw, Brake
28	532110070	Spacer	66	532120954	Pin, Dowel
29	532142677	Gear, Spur, 37 Teeth	67	532134799	Screw, Tapping 5/16-18 x 2.25
30	532142681	Gear, Spur, 35 Teeth	68	532138244	Lever, Actuating
31	532124644	Gear, Spur, 30 Teeth	69	532108996	Washer, Plain .321 x 1.00 x .055
32	532108980	Gear, Spur, 25 Teeth	70	532120956	Bracket, Anti-Rotation
33	532120406	Gear, Spur, 22 Teeth	71	873810500	Locknut 5/16-24
34	532134796	Gear, Spur, 19 Teeth	72	532148269	Seal, Oil
35	532105925	Washer, Plain .640 x 1.37 x .061	73	532120416	Grease
36	532002232	Washer, Plain .632 x 1.00 x .026			
37	532108978	Spacer .630 x 1.00 x .169			
38	532110079	Assembly, Gear, Combination, 12 Teeth and 35 Teeth			

**NOTE:** All component dimensions given in U.S. inches  
1 inch = 25.4 mm