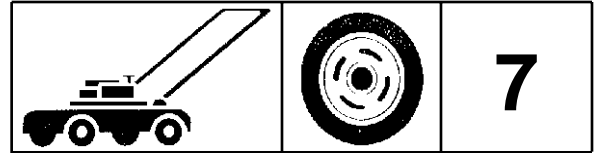
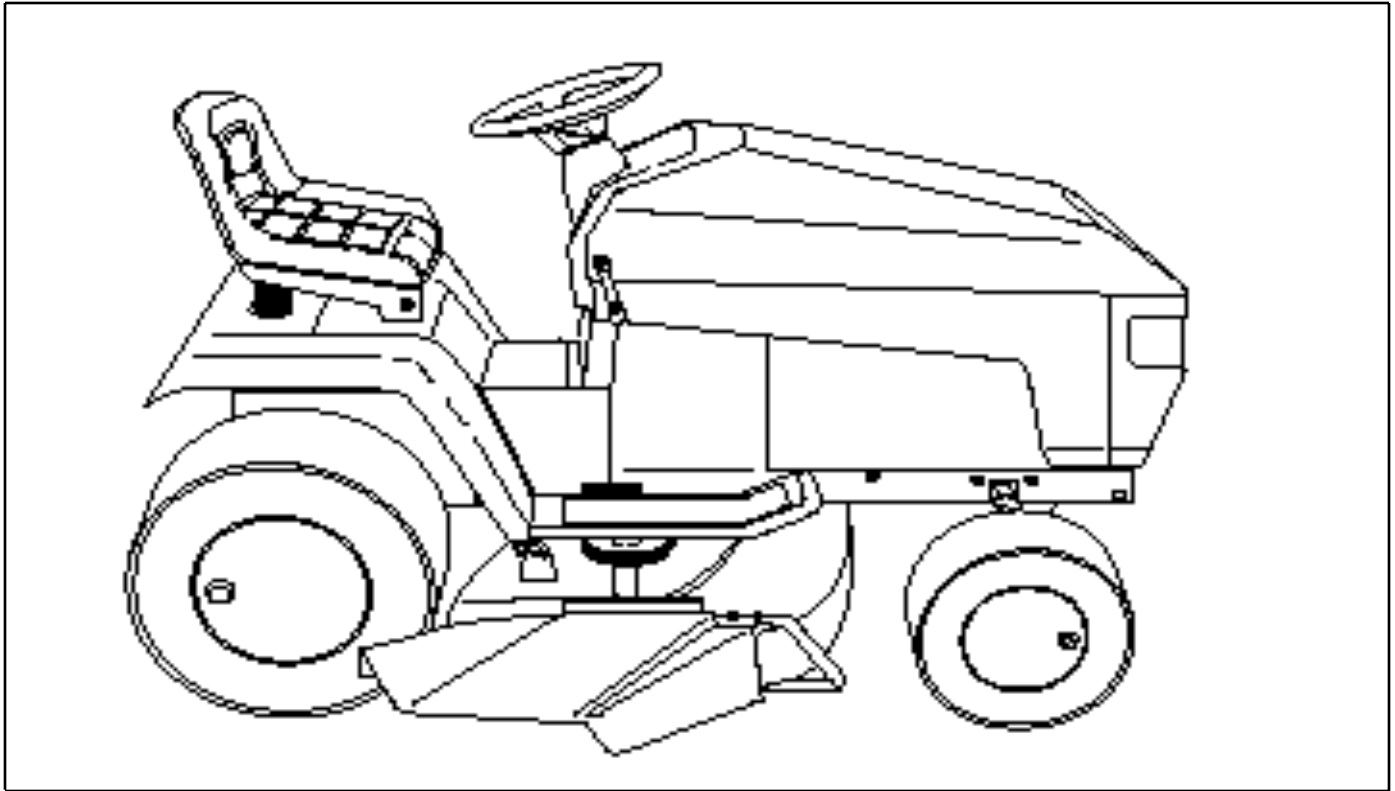


For Husqvarna Parts Call 606-678-9623 or 606-561-4983

 **Husqvarna**



YT 180



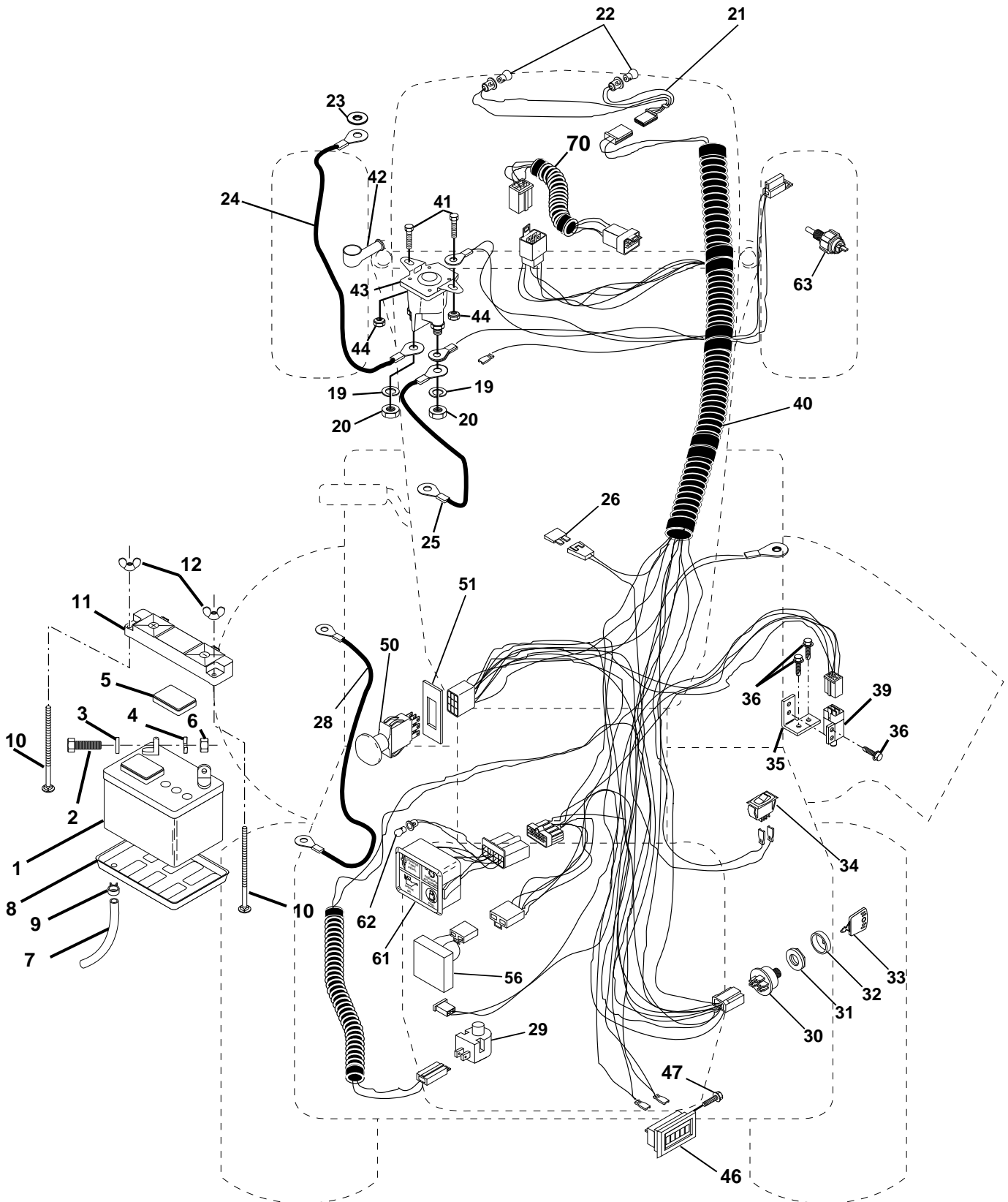
7.1994
PARTS LISTING

954001082A

For Husqvarna Parts Call 606-678-9623 or 606-561-4983 REPAIR PARTS

18 HP 42" TRACTOR - - MODEL NUMBER YT180 (954001082A)

ELECTRICAL



For Husqvarna Parts Call 606-678-9623 or 606-561-4983

REPAIR PARTS

18 HP 42" TRACTOR - - MODEL NUMBER YT180 (954001082A)

ELECTRICAL

KEY NO.	PART NO.	DESCRIPTION
1	532121537	Battery
2	874760412	Bolt, Hex Head 1/4-20 x 3/4
3	819091016	Washer 9/32 x 5/8 x 16 Gauge
4	810040400	Washer, Lock 1/4
5	532121264	Caps, Battery
6	873220400	Nut, Hex 1/4-20
7	532007697	Tube, Tray, Battery
8	532124886	Tray, Battery
9	532109596	Clamp, Hose
10	872240460	Bolt, Carriage 1/4-20 x 7-1/2
11	532102476	Guard, Terminal
12	532123198	Nut, Wing 1/4-20
19	810090400	Washer, Lock 1/4
20	873350400	Nut, Hex, Jam 1/4-20
21	532136850	Harness, Socket, Light (Includes Key #11)
22	532004152	Bulb, Light
23	811150400	Washer, Lock, Internal Tooth 1/4
24	532124770	Cable, Battery (2)
25	532124780	Cable Starter 6 Ga. 11" Red
26	532108824	Fuse
28	532124773	Cable, Battery
29	532121305	Switch, Plunger
30	532144921	Switch, Ignition
31	532140400	Nut, Ignition
32	532141226	Bezel, Ignition
33	532140401	Key, Molded
34	532110712	Switch, Light
35	532108236	Bracket Switch Interlock
36	817021008	Screw, Hex Tap #10-24 UNC
39	532109553	Switch, Intlk 4 Term
40	532141571	Harness, Ignition
41	871110408	Bolt, Hex 1/4-20 x 1/2 Grade 5
42	532131563	Cover, Terminal
43	532138406	Solenoid
44	873640400	Nut, Hex, Keps 1/4-20
46	532110940	Meter, Hour
47	817011008	Screw #10-24 x 1/2
50	532140404	Switch, P.T.O.
51	532140405	Ring, Retainer PTO
56	532127385	Sensor, Low Voltage
61	532126519	Package, Light
62	532110143	Bulb Dashboard Light 27 amp.
63	532142321	Wire Lead Sentry Kohler
70	532142047	Harness Eng. Koh. Tw 16 AR O Pump

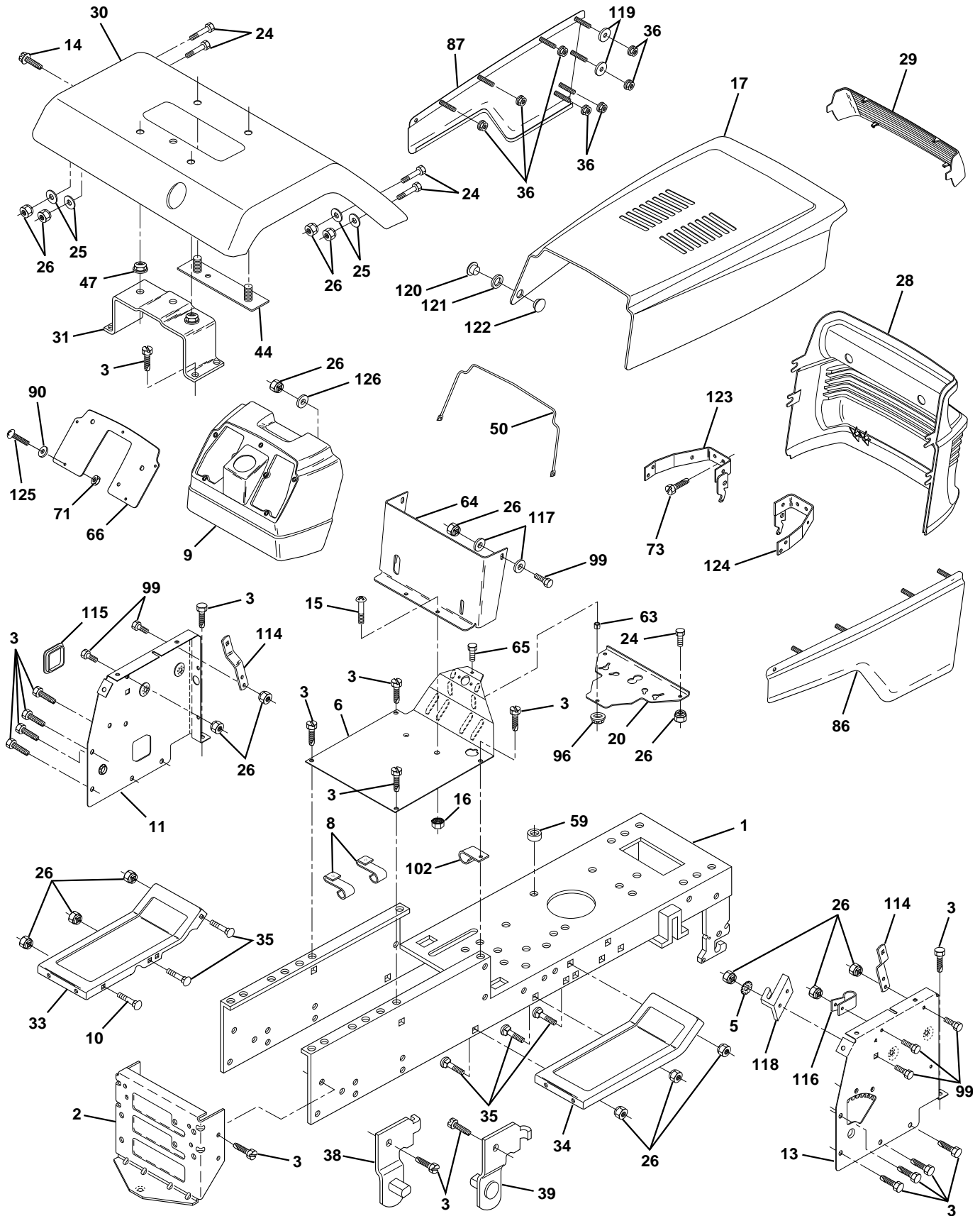
NOTE: All component dimensions given in U.S. inches.

1 inch = 25.4 mm

For Husqvarna Parts Call 606-678-9623 or 606-561-4983 REPAIR PARTS

18 HP 42" TRACTOR -- MODEL NUMBER YT180 (954001082A)

CHASSIS AND ENCLOSURES



For Husqvarna Parts Call 606-678-9623 or 606-561-4983

REPAIR PARTS

18 HP 42" TRACTOR - - MODEL NUMBER YT180 (954001082A)

CHASSIS AND ENCLOSURES

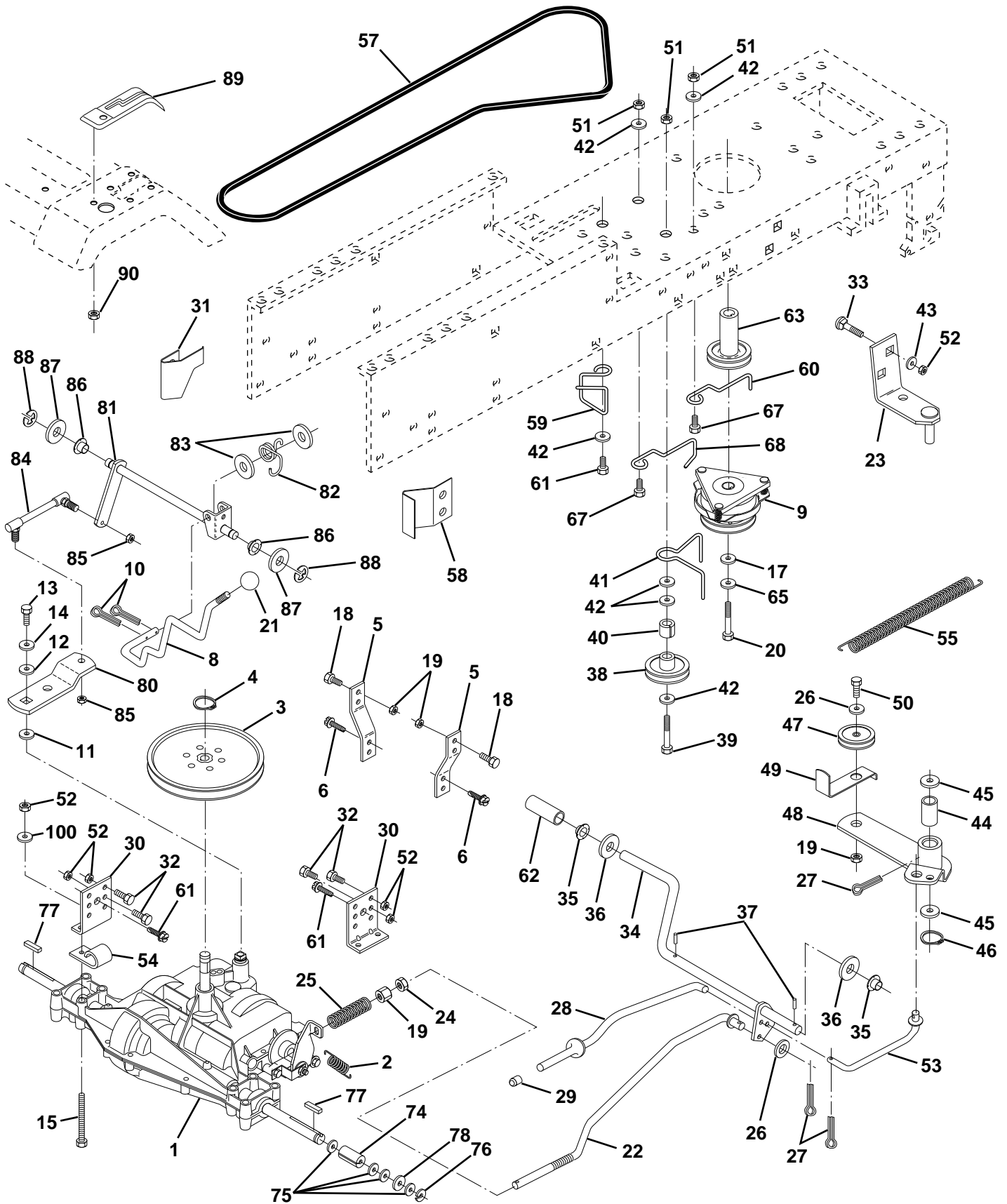
KEY NO.	PART NO.	DESCRIPTION	KEY NO.	PART NO.	DESCRIPTION
1	532140341	Chassis Weldment 12 ga 38/42	68	873510400	Nut Keps Hex 1/4 - 20 UNC
2	532140356	Drawbar Stretch	69	532106784	Strap Asm Pnt Hinge Rear (blk)
3	817490612	Screw Thdrol 3/8 - 16 x 3/4 Ty-TT	70	532104618	Strap Asm Pnt Hinge Front
6	532127543	Saddle Slkscr	71	873640400	Nut Keps Blk Hex 1/4-20 UNC
8	532126471	Clip Insulator	72	532124574	Support Asm Grille
9	532140452	Dash Black Hole "a" 88	74	873680600	Nut Crownlock 3/8-16 UNC
10	872140608	Bolt Carriage	75	532123481	Bolt, Shoulder 1/4 - 20 UNC
11	532136967	Panel Pnt Dash Lh	76	874780620	Botl Fin Hex 3/8 - 16 Unc x 1-1/4
13	532136970	Panel Pnt Dash Rh	77	874191008	Screw Mach Cr Pan #10-24 x 1/2
14	817490608	Screw Thdrol 3/8 - 16 x Ty-TT	78	810071000	Washer Lock #10
15	874180512	Screw Mach Trhd 5/16 - 18 UNC x 3/4	79	532125004	Nut Weld .327/.304 #10 - 24
16	873510500	Nut Keps 5/16 - 18 UNC	80	532109808	Latch Chute Blk
17	532125454	Hood Pnt	81	532123198	Nut Plastic Locking Wng 1/4 - 20
20	532140181	Plate Pnt Sprt Battery (blk)	82	874981020	Screw Mach Cr Pan #10 - 24 x 1-1/4
24	874780616	Bolt Hex 3/8 - 16 x 3/4	83	532007206	Spacer Split #10 x 3/4 Cad/Zin
25	819131312	Washer 13/32 x 13/16 x 12 Ga	84	819070818	Washer 7/32 x 1/2 x 18 Ga
26	873800600	Nut Lock 3/8	85	873731000	Nut Keps #10 - 24 Unc
28	532127325	Grille YT GT Husqvarna	86	532143365	Panel Pnt Rh Side
29	532124251	Lens Headlight Rh Smoked	87	532143364	Panel Pnt Lh Side
30	532141449	Fender Pnt	90	819091216	Washer 9/32 x 3/4 x 16 Ga
31	532137113	Bracket Pnt Fender	91	873220400	Nut Fin Hex 1/4 - 20 Unc
33	532124899	Footrest Pnt Lh	92	810040400	Washer Lock Hvy Helical 1/4
34	532124914	Footrest Pnt Th	93	532127320	Grille Asm
35	872110606	Bolt Rdhd Sht Sqnk 3/8 - 16 x 3/4	94	532110357	Cap Washer Snap Nat.
38	532139886	Bracket Asm Pivot Lh	95	532110356	Cap Snap Black
39	532139887	Bracket Asm Pivot Rh	96	873800500	Nut Lock Hex w/ins 5/16 - 18 Unc P
42	532124250	Lens Headlight Lh Smoked	97	532110853	Bracket Asm Fr Pvt Hinge Lh
44	532140675	Strap Asm. Fender	98	532110852	Bracket Asm Fr. Pvt Hinge Rh
46	532127316	Retainer	99	874760616	Bolt Fin Hex 3/8-16 x 1
47	532105531	Nut Push Nylon	109	532141461	Bracket Extension Bumper
50	532124130	Support Pnt Dash	110	532143679	Plug Plastic
51	873800400	Nut Lock w/Insert 1/4-20 UNC	111	872140610	Bolt Carriage 3/8-16 x 1-1/4
59	532110436	Bushing Snap Split	112	819131316	Washer 13/32 x 13/16 x 16 Ga.
63	532121236	Spacer Split 59/ x 1.25 Blk/zin	113	532141460	Bumper Asm.
64	532104805	Dash Pnt Lower	--	532121794	Cover Access Black Square
65	874760532	Bolt Fin Hex 5/16 - 18 Unc x 2 Gr. 2	--	532125085	Plug Dash Blk 5009 Dis. E. Lift
66	532141626	Plate Silkscreened Dash			
67	819111116	Washer 11/32 x 11/16 x 16 Ga			

NOTE: All component dimensions given in U.S. inches
1 inch = 25.4 mm

For Husqvarna Parts Call 606-678-9623 or 606-561-4983 REPAIR PARTS

18 HP 42" TRACTOR -- MODEL NUMBER YT180 (954001082A)

DRIVE



For Husqvarna Parts Call 606-678-9623 or 606-561-4983

REPAIR PARTS

18 HP 42" TRACTOR - - MODEL NUMBER YT180 (954001082A)

DRIVE

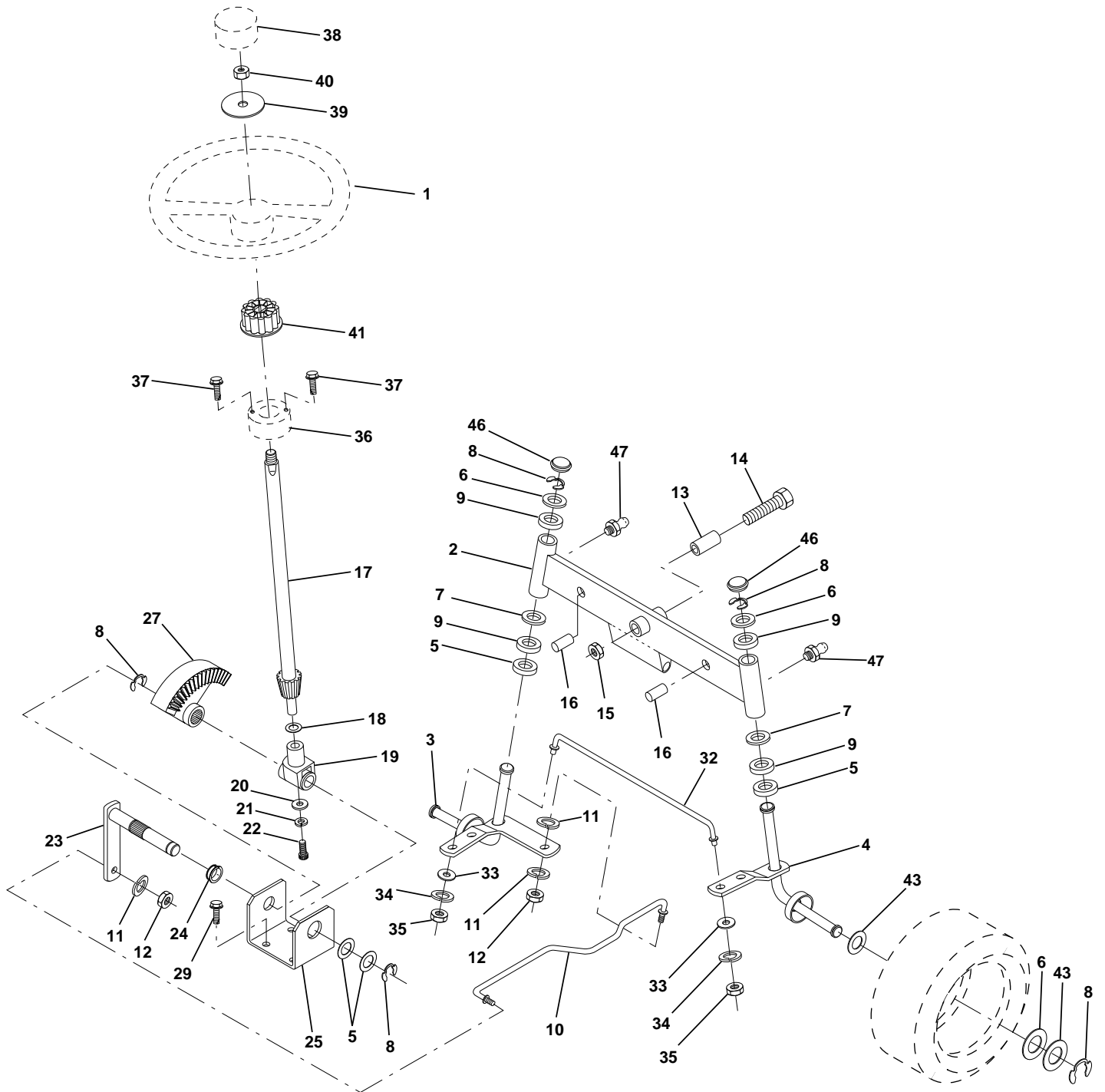
KEY NO.	PART NO.	DESCRIPTION	KEY NO.	PART NO.	DESCRIPTION
1	532142607	Transaxle 6sp Dana LT Model # 4360-81	44	532105706	Bearing Nyl 503 X 628 X 1 25
2	532110422	Spring Return Brake T/a Zinc	45	532110812	Washer Hardened
3	532123666	Pulley Transaxle 20"tires	46	812000039	Ring Klip #t5304-50
4	812000028	Ring Retainer # 5100-62	47	532127783	Pulley Idler V Groove Plastic
5	532121520	Strap Torque 30 Degrees	48	532123789	Bellcrank Asm Clutch
6	817490512	Screw Thdrol 5/16-18 X 3/4 TYT	49	532123205	Retainer Belt Style Spring
8	532141002	Rod Shifter	50	874760624	Bolt Hex Hd 3/8-16unc X 1-1/2
9	532137140	Clutch Electric	51	873680600	Nut Crownlock 3/8-16 Unc
10	876020416	Pin Cotter 1/8 X 1 Cad	52	873680500	Nut Crownlock 5/16 - 18
11	532105701	Washer Plate Shf 388 Sq Hole	53	532105710	Link Clutch 7 66
12	819151216	Washer 15/32 X 3/4 X 16 Ga	54	532124996	Clip Fuel Line 13/32 Mtg. Hole
13	871040412	Bolt Fin Hex 1/4-28unfx3/4 Gr8	55	532105709	Spring Return Clutch 6 75
14	810040400	Washer Lock Hvy Helical 1/4	57	532130801	V-Belt Ground Drive 95 25 42"
15	874780544	Bolt Fin Hex 5/16-18uncx 2 3/4	58	532127274	Keeper Belt RH LT Pnt/zinc 16g
16	873800500	Nut Lock H w/insert 5/16-18	59	532140312	Keeper Belt Chassis Span Ctr
17	532126197	Washer 1-1/2 OD X 15/32 ID X .250	61	817490612	Screw Thdrol 3/8-16x3/4 Ty-tt
18	874780616	Bolt Fin Hex 3/8-16unc X 1 Gr. 5	62	532123533	Cover Pedal Premuim
19	873800600	Nut Lock 3/8-16 Unc	63	532140189	Engine Pulley LT/YT
21	532121274	Knob Duckhead 3/8-16unc Blk	64	871170768	Bolt, Hex 7/16-20 x 4-1/4
22	532130804	Rod Brake Blk Zinc 27 326	65	810040700	Washer Lock Hvy Hlcl Spr 7/16
23	532137141	Bracket Asm. Clutch	66	532121218	Keeper Belt Engine LH LT
24	873350600	Nut Hex Jam 3/8-16 Unc	67	874760616	Bolt Fin Hex 3/8-16unc X 1
25	532106888	Spring Rod Brake 2 00 Zinc	70	532105730	Keeper Belt Engine BZP Zinc
26	819131316	Washer 13/32 X 13/16 X 16 Ga	74	532109502	Spacer Split
27	876020412	Pin Cotter 1/8 X 3/4 Cad	75	532121749	Washer 25/32 X 1 1/4 X 16 Ga
28	532133261	Rod Brake Parking 14 500	76	812000001	E-ring #5133-75
29	532071673	Cap Brake Parking Black	77	532123583	Key Square 2 0 X 1845/ 1865
30	532130807	Bracket Mtg Transaxle	78	532121748	Washer 25/32 X 1-5/8 X 16 Ga
31	532127275	Keeper Belt LH LT 14 Ga	80	532131487	Arm Shift Transaxle
32	874760512	Bolt Hex Hd 5/16-18unc X 3/4	81	532136933	Shaft Asm Cross 20"t 42"deck
33	872140506	Bolt, Carriage 5/16-18 x 3/4	82	532123782	Spring Torsion T/a
34	532122424	Shaft Asm Pedal Foot 1 930	83	819171216	Washer 17/32 X 3/4 X 16 Ga
35	532120183	Bearing Nylon Blk 629 Id	84	532132183	Rod Tie Shift Adj Ball
36	819211616	Washer 21/32 X 1 X 16 Ga	85	873530400	Nut Nylock 1/4-28
37	532124963	Pin Roll 3/16 X 1"	86	532071208	Bushing Rod Strg 629/632 Id
38	532123674	Pulley Idler Flat	87	819212016	Washer 21/32 X 1-1/4 X 16 Ga
39	874760644	Bolt Fin Hex 3/8-16unc X 2-3/4	88	812000008	Ring Klip #5304-62
40	532124965	Spacer Split 395 X 59 Bzp	89	532139991	Console Shift 6sp W/ign LT
41	532109070	Keeper Belt Retainer	90	532124346	Nut Self-thd wsh-hd 1/4 zinc
42	819131312	Washer 13/32 X 13/16 X 12 Ga	100	819111216	Washer 11/32 x 3/4 x 16 Ga.
43	819111012	Washer 11/32 x 5/8 x 12 Ga.			

NOTE: All component dimensions given in U.S. inches
1 inch = 25.4 mm

For Husqvarna Parts Call 606-678-9623 or 606-561-4983
REPAIR PARTS

18 HP 42" TRACTOR - - MODEL NUMBER YT180 (954001082A)

STEERING ASSEMBLY



For Husqvarna Parts Call 606-678-9623 or 606-561-4983

REPAIR PARTS

18 HP 42" TRACTOR - - MODEL NUMBER YT180 (954001082A)

STEERING ASSEMBLY

KEY NO.	PART NO.	DESCRIPTION
1	532124415	Wheel Steering Auto Grey
2	532142033	Axle Asm Fr LT W/gzks 38/42
3	532135227	Spindle Asm LH
4	532135228	Spindle Asm RH
5	532124931	Bearing Race Thrust Harden
6	532121748	Washer 25/32 X 1-5/8 X 16 Ga
7	819272016	Washer 27/32 X 1-1/4 X 16 Ga
8	812000029	Ring Klip #5304-75
9	532124937	Bearing Col Strg Blk
10	532130468	Link Drag Sol Ball Jt 20 064
11	810040600	Washer Lock Hvy Hlcl Spr 3/8
12	873610600	Nut Fin Hex 3/8-24 Unf
13	532110438	Spacer Bearing Axle Front
14	874011056	Bolt Hex 5/8-11 Unc X 3-1/2
15	873901000	Nut Lock Flange 5/8-11 Unc
16	532132624	Pin Axle 5/8 X 1 55/1 54 Lg
17	532128762	Shaft Asm Strg 20 31 x 3/4 YP YT
18	532057079	Washer Thrust 515x 750x 033
19	532124035	Support Shaft
20	532126684	Washer Shim 1/4 X 5/8 X 062
21	810040400	Washer Lock Hvy Helical 1/4
22	871070410	Screw Hex Socket 1/4-20 X 5/8
23	532127501	Shaft Asm Pittman
24	532109816	Nyliner Snap In
25	532124036	Bracket Steering
27	532136874	Gear Sector
29	817490612	Screw Thdrol 3/8-16x3/4 Ty-tt
32	532130467	Rod Tie Wire Form 19 75 Elec
33	819111216	Washer 11/32 x 3/4 x 16 Ga.
34	810040500	Washer, Lock Hvy Hlcl Spr 5/16
35	873810500	Locknut 5/16-24 Unf
36	532124720	Bushing Strg Blk 742/747 Id
37	817431008	Screw Slftp #10-16 X 1/2 Ty-b
38	532124416	Insert Cap Strg Wh Aut Hus Gry
39	532100712	Washer 53 X 2 25 X 160 Zinc
40	873940800	Nut Hex Jam Toplock 1/2-20 Unf
41	532100711	Adapter Wheel Strg 758/ 753id
43	532121749	Washer 25/32 X 1 1/4 X 16 Ga
44	532121748	Washer 25/32 X 1-5/8 X 16 Ga
45	812000029	Ring Klip #5304-75
46	532121232	Cap Spindle Fr Top Blk
47	532124836	Fitting Grease

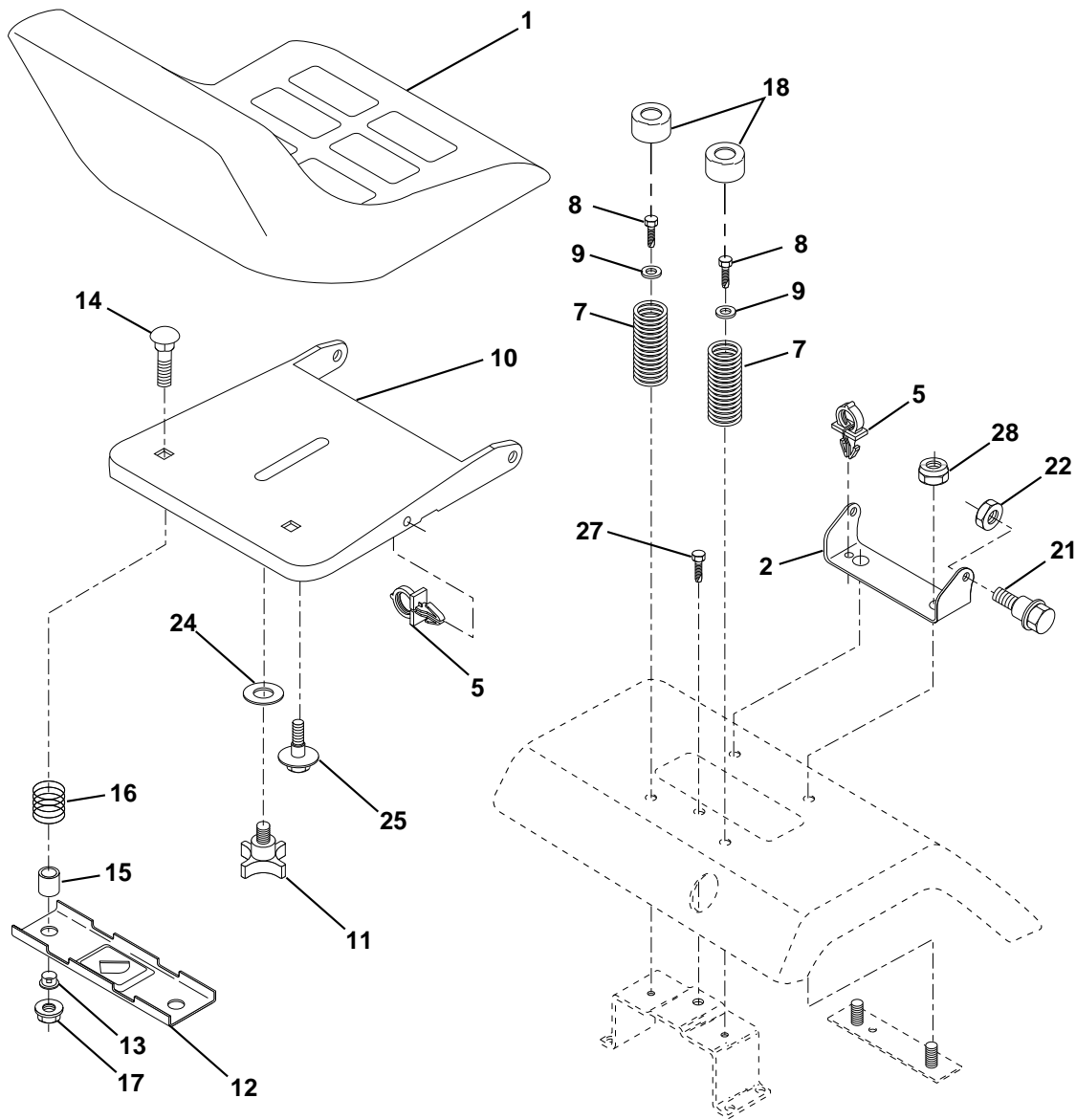
NOTE: All component dimensions given in U.S. inches
1 inch = 25.4 mm

For Husqvarna Parts Call 606-678-9623 or 606-561-4983

REPAIR PARTS

18 HP 42" TRACTOR - - MODEL NUMBER YT180 (954001082A)

SEAT ASSEMBLY



KEY NO.	PART NO.	DESCRIPTION
1	532124186	Seat V-550 Gry/blk Std
2	532140551	Bracket Pivot Seat 8 720
5	532145006	Clip Push-in Hinged
7	532124181	Spring Seat Cprsn 2 250 Blk Zi
8	817490508	Screw Hwsh Thdrol 5/16-18 x 1/2
9	819131614	Washer 13/32 X 1 X 14 Ga
10	532140552	Pan Seat
11	532120068	Knob Seat 1/2-13unc Blk
12	532121246	Bracket Mounting Switch
13	532121248	Bushing Snap Blk Nyl 50 Id
14	872050411	Bolt Rdhd Sht Nk 1/4-20x1-3/8
15	532121249	Spacer Split 28x 88 Yel Zinc

KEY NO.	PART NO.	DESCRIPTION
16	532123740	Spring Cprsn 1 310 Blk Pnt
17	532123976	Nut Lock 1/4 Lge Flg Gr 5 Zinc
18	532124238	Cap Spring Seat
21	532139888	Bolt Shoulder 5/16-18 Unc Blkz
22	873680500	Nut Crown Lock 5/16-18
24	819171912	Washer 17/32 X 1-3/16 X 12 Ga
25	532127018	Bolt Shoulder 5/16-18 X 62
27	817490608	Screw Thdrol 3/8 - 16 x 1/2 Ty-TT
28	873680600	Nut Crownlock 3/8-16 Unc

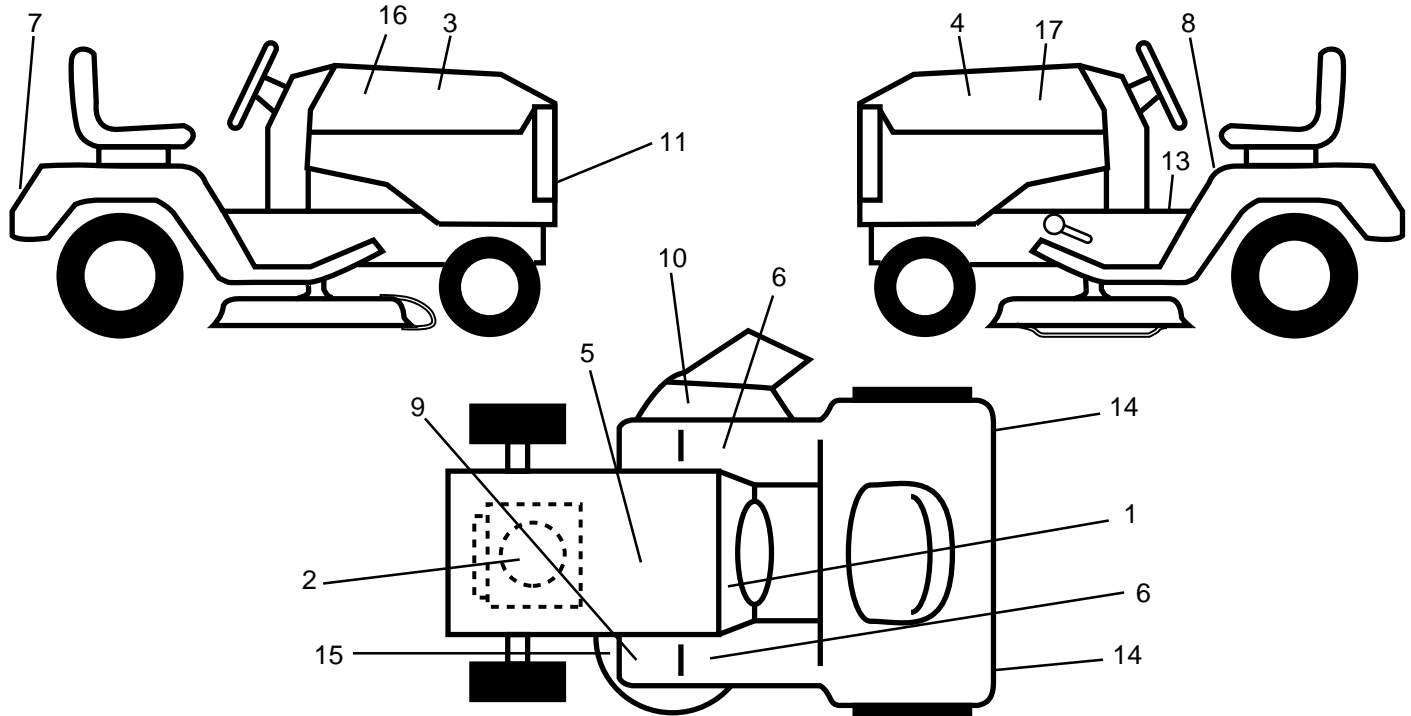
NOTE: All component dimensions given in U.S. inches
1 inch = 25.4 mm

For Husqvarna Parts Call 606-678-9623 or 606-561-4983

REPAIR PARTS

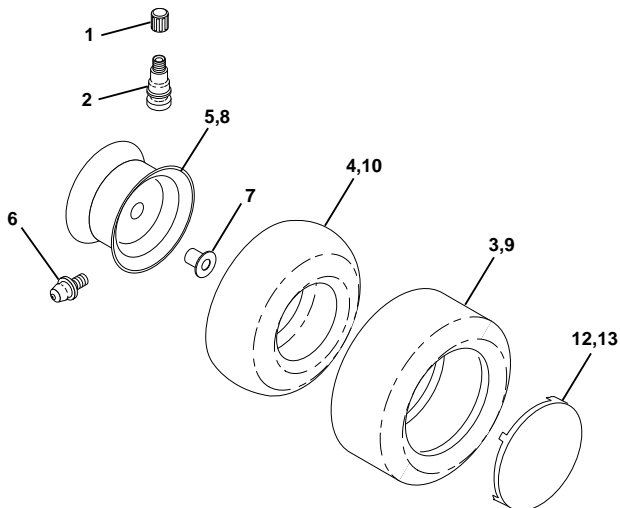
18 HP 42" TRACTOR - - MODEL NUMBER YT180 (954001082A)

DECALS



KEY NO.	PART NO.	DESCRIPTION	KEY NO.	PART NO.	DESCRIPTION
1	532138956	Decal Instruction Dash Eng/fr	14	532106202	Reflector Tail Light Red/amber
2	532132507	Decal HP Engine	15	532136832	Decal V-Belt Mower Multi-Lang.
3	532140728	Decal Hood RH Husq	16	532140858	Decal Insert Hood Rh YT180 6 sp.
4	532140729	Decal Hood LH Husq	17	532140859	Decal Insert Hood Lh YT180 6sp.
5	532121549	Decal Caution Battery Fr/ger	-	532138311	Decal Lift Handle(Lift Handle)
6	532108256	Decal Pad Footrest Rbr Sq Generic	-	532145019	Manual Owners, English
7	532131582	Decal Fender Husqvarna	-	532145020	Manual Owners, French
8	532133795	Decal Caution Fender Eng/fr	Available accessories not included with tractor:		
9	532101892	Decal Clutch/brake Eng/fr	-	MK420	Mulching Kit
10	532137259	Decal Warning MULT-LANGUAGE	-	LSB42	Snow Blower
11	532125989	Decal Grille Husqvarna	-	LC05	33 lb. wheel weights (Pair)
13	532140837	Decal Brake Parking Saddle	-	C42	Grass Catcher for 42"
			-	LBD48	Snow Blade
			-	LC06	Tire Chains

WHEELS & TIRES

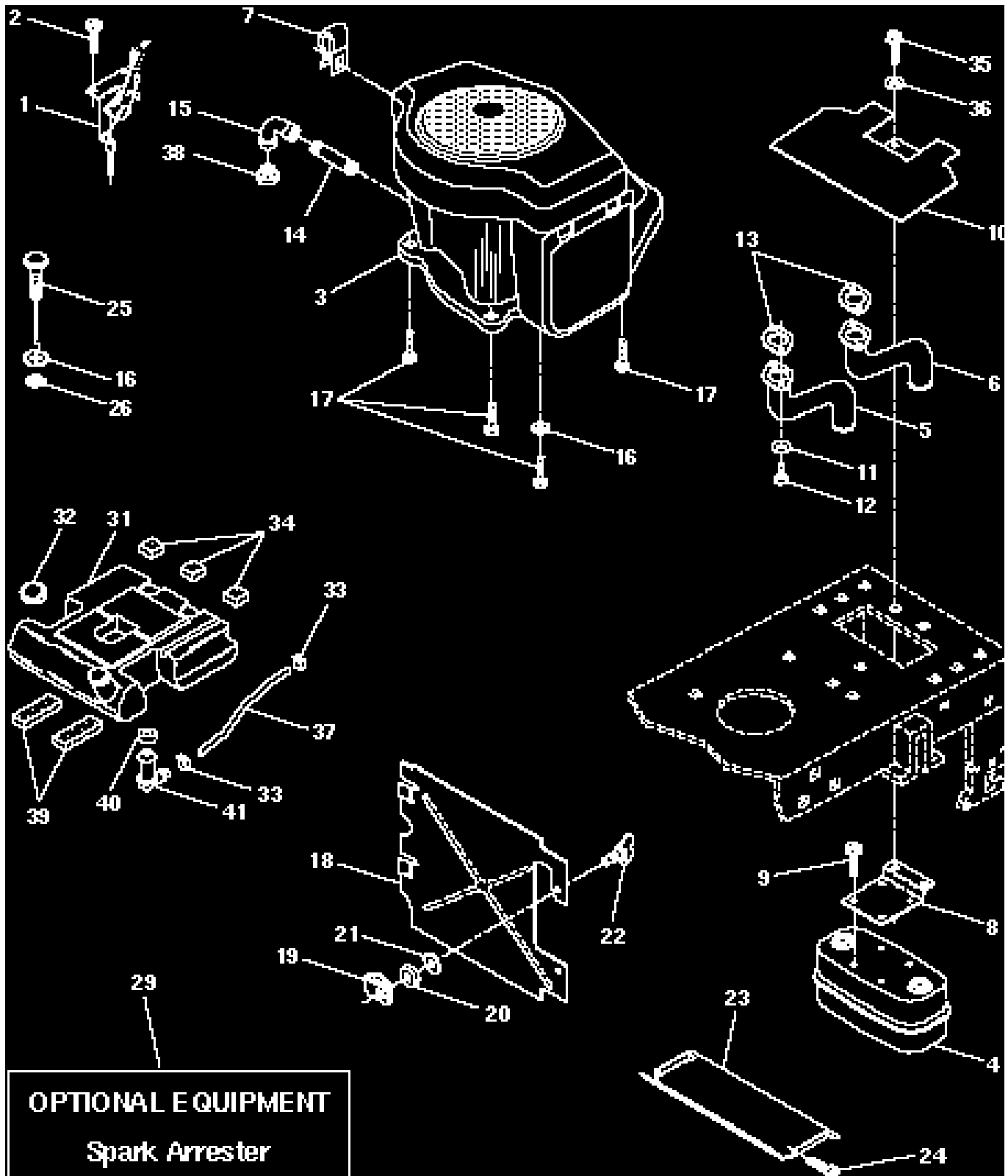


KEY NO.	PART NO.	DESCRIPTION
1	532059192	Cap Valve Tire
2	532065139	Stem Valve
3	532106222	Tire F Ts 15 X 6 0 - 6 Service
4	532059904	Tube Front (Service Item Only)
5	532141446	Rim Asm 6" front White Service
6	532124957	Fitting Grease (Front Wheel Only)
7	532124959	Bearing Flange (Front Wheel Only)
8	532141447	Rim Asm 8"rear White Service
9	532122082	Tire R Ts 20 10 C Service
10	532124926	Tube Rear (Service Item Only)
12	532124577	Cover Wheel 6"white
13	532124578	Cover Wheel 8"white

NOTE: All component dimensions given in U.S. inches
1 inch = 25.4 mm

18 HP 42" TRACTOR - - MODEL NUMBER YT180 (954001082A)

ENGINE



For Husqvarna Parts Call 606-678-9623 or 606-561-4983

REPAIR PARTS

18 HP 42" TRACTOR - - MODEL NUMBER YT180 (954001082A)

ENGINE

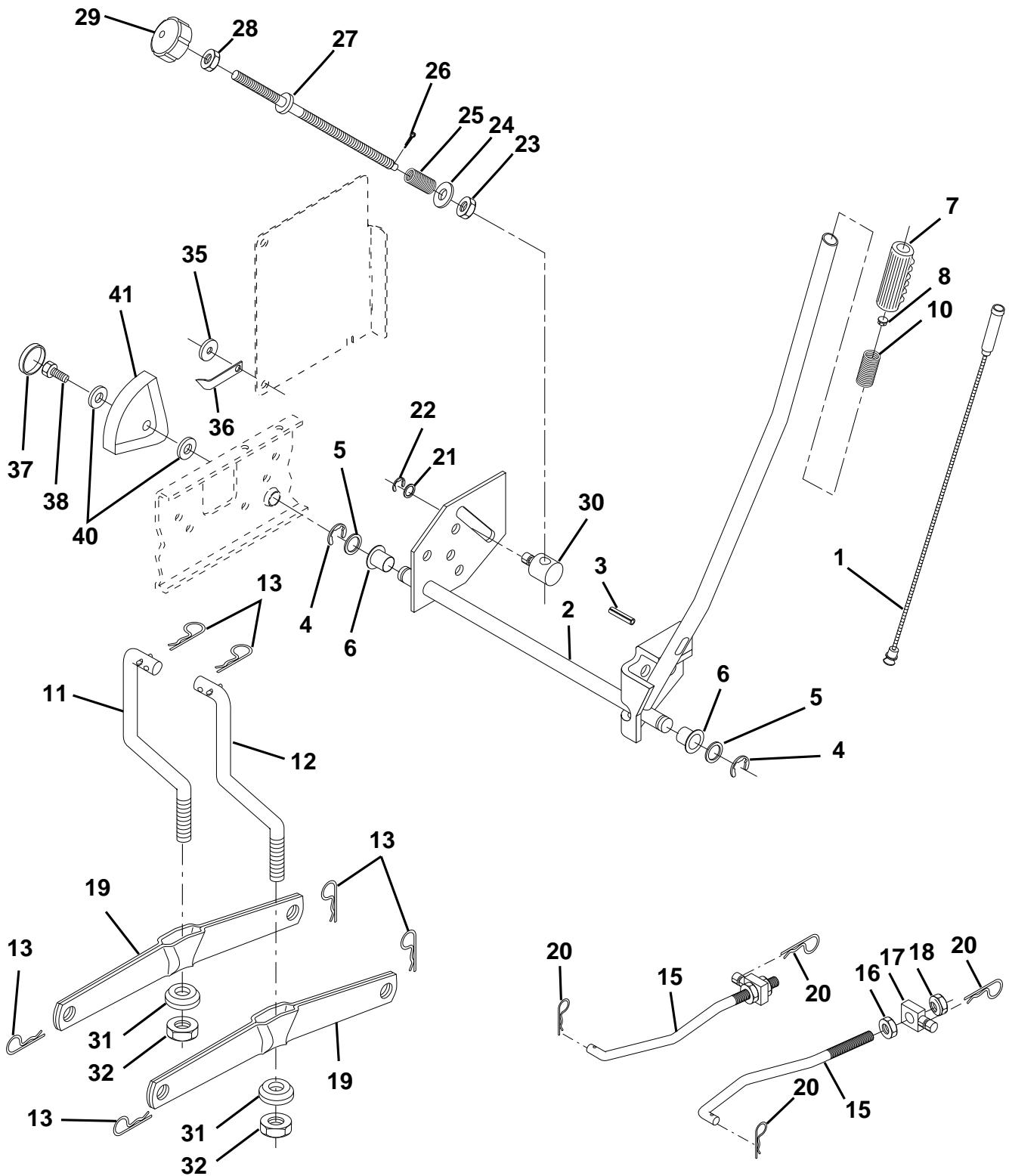
KEY NO.	PART NO.	DESCRIPTION
1	532137214	Control RH Blk Flg 37 88
2	817720410	Screw Hex Thd Cut 1/4-20x5/8 T
3	-----	Engine Model No. MV18-PS 58559
4	532137978	Muffler LT B&S
5	532136215	Tube Manifold LH
6	532136216	Tube Manifold RH
7	532138129	Clamp
8	532122439	Bracket Muffler Mounting
9	817190408	Screw Hex Wsh Thd Cut 1/4-20
10	532143600	Shield Heat LT
11	810040500	Washer Lock Hvy Hlcl 1/4 (Order from Engine Manufacturer)
12	874570512	Bolt, Fin Hex 1/4-20 x 3/4 (Order from Engine Manufacturer)
13	-----	Muffler Gasket (Order from Engine Manufacturer)
14	813280336	Nipple Pipe 3/8 Npt X 4-1/2"
15	813200300	Elbow Std 90 Degree 3/8-18 Npt
16	811050600	Washer Lock Ext Tooth 3/8
17	817490624	Screw Thdrol 3/8-16 x 1-1/2
18	532133747	Shield Heat Mech
19	532105839	Receptacle 1/4 Turn
20	532105838	Retainer 1/4 Turn
21	532110436	Bushing, Snap, Split
22	532123650	Stud 1/4 Turn
23	532128953	Shield Heat Browning LT/YT
24	817021008	Screw Tap Hex #10-24unc X 1/2
25	532132782	Choke Control
26	873610600	Nut, Fin Hex 3/8-24 Unf
29	532137180	Kit Spark Arrestor (Flat Scrn)
31	532141070	Tank Fuel 3 50 Rear
32	532140527	Cap Asm Fuel W/sym Vented
33	532123487	Clamp Hose Blk
34	532106082	Pad, Spacer
35	817490512	Screw Thdrol 5/16-18 x 3/4
36	819132012	Washer 13/32 x 1-1/4 x 12 Ga.
37	532008543	Line Fuel 54"
38	-----	Plug Oil Drain (Order From Engine Manufacturer)
39	532109227	Pad, Idler
40	532124952	Bushing
41	532139277	Stem Tank Fuel

NOTE: All component dimensions given in U.S. inches.
1 inch = 25.4 mm

For Husqvarna Parts Call 606-678-9623 or 606-561-4983
REPAIR PARTS

18 HP 42" TRACTOR - - MODEL NUMBER YT180 (954001082A)

MOWER LIFT ASSEMBLY



For Husqvarna Parts Call 606-678-9623 or 606-561-4983

REPAIR PARTS

18 HP 42" TRACTOR - - MODEL NUMBER YT180 (954001082A)

MOWER LIFT ASSEMBLY

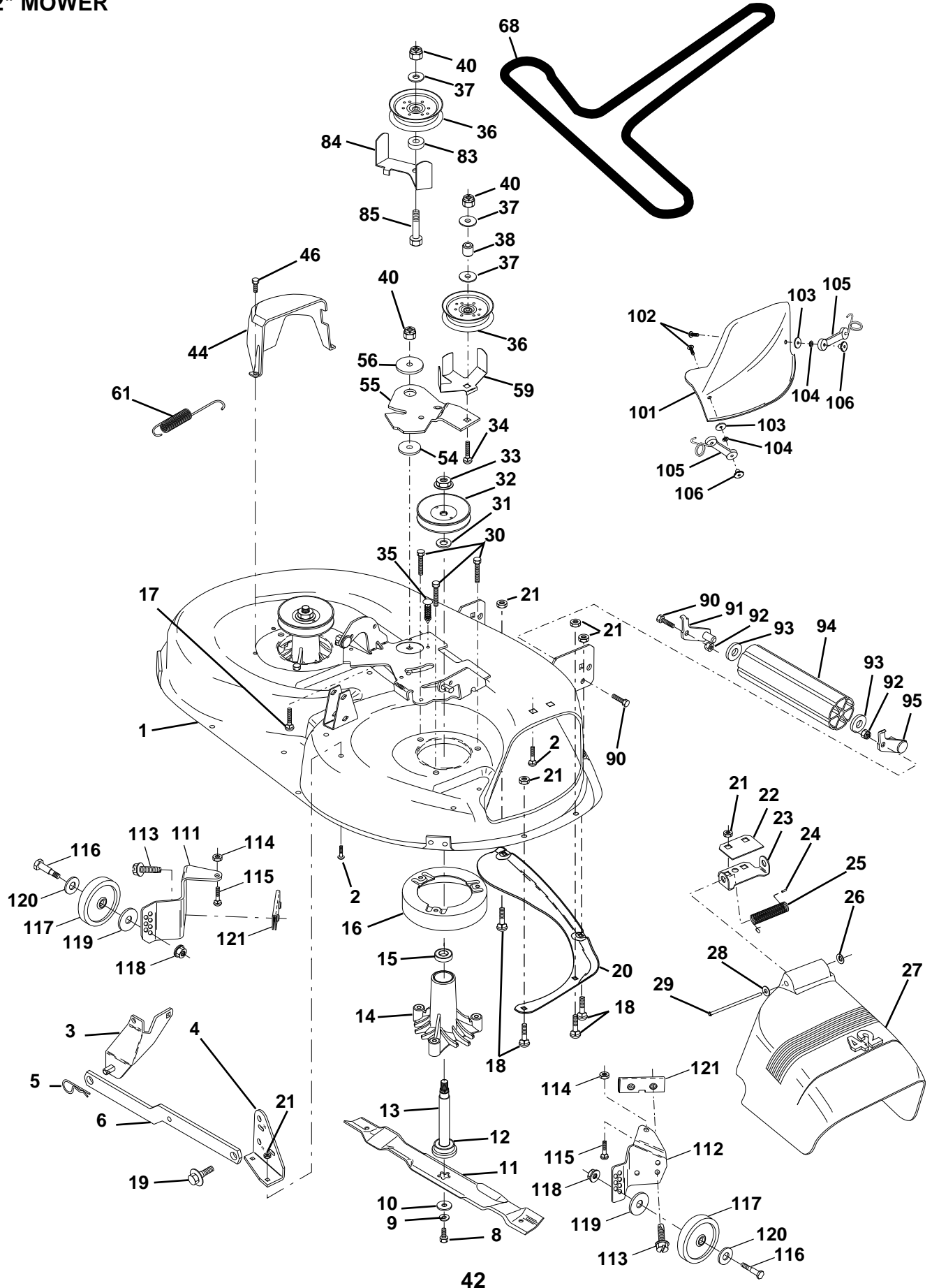
KEY NO.	PART NO.	DESCRIPTION
1	532136971	Wire Asm Inner W/plunger 20 56
2	532136968	Shaft Asm Lift RH w/Inf W/T
3	532138284	Pin Groove 1 500 Zinc
4	812000002	E Ring #5133-62
5	819211621	Washer 21/32 X 1 X 21 Ga
6	532120183	Bearing Nylon Blk 629 Id
7	532125631	Grip Handle Fluted Blk
8	532124526	Button Plunger Black
10	532122512	Spring Cprsn 3 750 Oiled
11	532139865	Link Lift LH Fixed Length
12	532139866	Link Lift RH Fixed Length
13	532124670	Retainer Spring
15	532127218	Link Front
16	873350800	Nut Jam Hex 1/2-13 Unc
17	532130171	Trunnion Blk Zinc
18	873800800	Nut Lock W/wsh 1/2-13unc
19	532139868	Arm Suspension Rear
20	532124660	Retainer Spring
21	819151216	Washer 15/32 X 3/4 X 16 Ga
22	812000037	Ring Klip #t5304-37
23	532110807	Nut Special
24	819131016	Washer 13/32 X 5/8 X 16 Ga
25	532124874	Spring 2-1/8"
26	876020308	Pin Cotter 3/32 X 1/2
27	532110729	Rod Adj Lift Zinc 9 00 Wrk Lg
28	873350600	Nut Hex Jam 3/8-16 Unc
29	532138057	Knob Inf 3/8-16 Unc Blk W/sym
30	532110810	Trunnion Dp Stop Dbl Thds PLT
31	532140302	Bearing Pvt Lift Spherical
32	873810600	Nut Nylock 3/8 - 24
35	532120529	Washer Nylon .44 x .75 x .032
36	532138346	Pointer Pnt Height ind .505
37	532123935	Plug Hole Blk 1.485/1.515 Dia.
38	817490512	Screw Thdrol 5/16-18 x 3/4
40	819112410	Washer 11/32 x 1-1/2 10 Ga.
41	532123934	Scale Ind. Height Blk.

NOTE: All component dimensions given in U.S. inches
1 inch = 25.4 mm

For Husqvarna Parts Call 606-678-9623 or 606-561-4983 REPAIR PARTS

18 HP 42" TRACTOR - - MODEL NUMBER YT180 (954001082A)

42" MOWER



For Husqvarna Parts Call 606-678-9623 or 606-561-4983

REPAIR PARTS

18 HP 42" TRACTOR - - MODEL NUMBER YT180 (954001082A)

42" MOWER

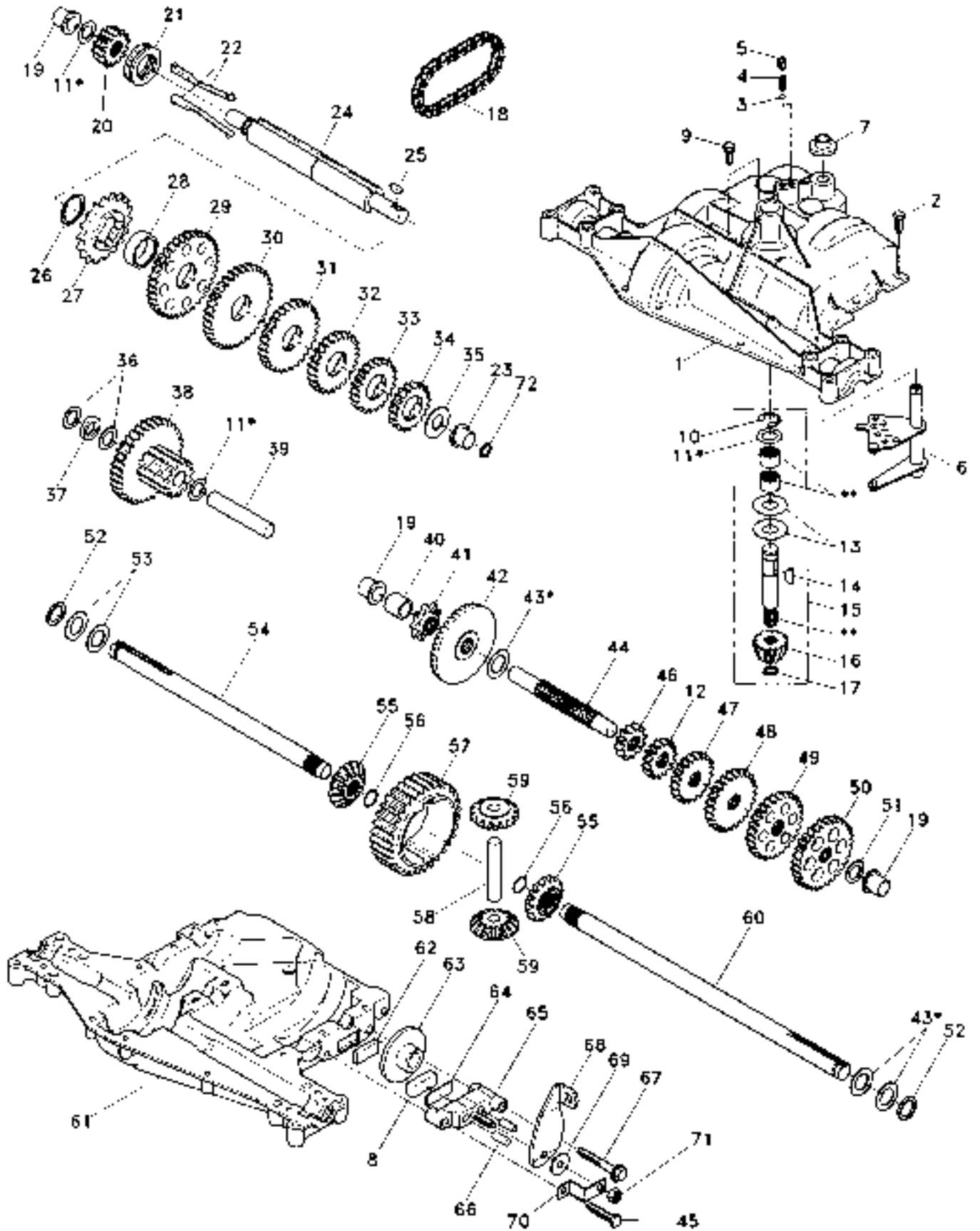
KEY PART NO. NO.	DESCRIPTION	KEY PART NO. NO.	DESCRIPTION
1	532144393 Deck Asm MWR 42"weldment	55	532140084 Arm Idler 42"mower LT/YT
2	872140506 Bolt Rdhd Sqnk 5/16-18unc X3/4	56	532122052 Spacer Retainer Pm Mower
3	532138017 Bracket Asm Fr Sway Bar 38/42	59	532141043 Guard, Belt
4	532138440 Bracket Asm Deck 42"sway Bar	61	532131950 Spring Ext. Elect
5	532124670 Retainer Spring	68	532144200 V-Belt Mower
6	532130832 Arm Suspension Rear	83	532120958 Washer Sintered
8	532850857 Bolt 3/8-24x1 25 Gr8 Patched	84	532144394 Keeper Belt Idler Fixed
9	810030600 Washer Lock Hvy 3/8 Unplated	85	872140620 Bolt Carriage 3/8-16 x 2-1/2 Gr. 5
10	532140296 Washer Hard Blade Mower Vented	90	874760616 Bolt Fin Hex 3/8-16unc X 1
11	532134149 Blade Mower Mulching 42"	91	532132274 Bracket Asm Noseroller LH
12	532129895 Bearing Ball #6204 (Mandrel)	92	873800600 Nut Lock 3/8-16 Unc
13	532137645 Shaft Asm W/lower Bearing	93	819171416 Washer 17/32 X 7/8 X 16 Ga
14	532128774 Housing Mandrel Vented(machd)	94	532132264 Roller Nose 38 & 42
15	532110485 Bearing Ball Mandrel	95	532132273 Bracket Asm Noseroller RH
16	532140329 Stripper Mower Vented	101	532136420 Cover Mulching 42" Black
17	872110610 Bolt Carriage 3/8-16 X 1-1/4	102	871161010 Screw
18	872140505 Bolt Carr 5/16-18 X 5/8	103	819061216 Washer #10
19	532132827 Bolt Shoulder	104	810071000 Washer Lock #10
20	532136888 Baffle Vortex 42	105	532130758 Latch Asm. Bagger
21	873680500 Nut Crown Lock 5/16-18	106	532125004 Nut Weld
22	532134753 Stiffener Bracket 42"deck	111	532140353 Bracket Wheel Gauge Lh 42" Deck
23	532131267 Bracket Deflector Mower 42"	112	532132262 Bracket Wheel Gauge Rh 42" Deck
24	532105304 Cap Sleeve 80x 112 Blk Mower	113	817490512 Screw Thdrol 5/16-18 x 3/4
25	532123713 Spring Torsion Deflector 2 52	114	873510500 Nut Keps 5/16-18 UNC
26	532110452 Nut Push Phos & Oil	115	872110504 Bolt Carriage 5/16-Unc x 1/2
27	532130968 Shield Deflector Mower 42" Blk	116	532137644 Bolt Shld "A" 2.41 "B" 1.66
28	819111016 Washer 11/32 X 5/8 X 16 Ga	117	532105455 Wheel Gauge blk. 4.93
29	532131491 Rod Hinge 42"6 75 Wlg	118	873930600 Nut Centerlock 3/8-16 UNC
30	532138776 Screw Thdrol Hex Hd Zinc Mwr.	119	819121414 Washer 3/8 x 7/8 x 14 Ga.
31	532129963 Washer Spacer Mower Vented	120	819171512 Washer 17/32 x 15/16 x 12 Ga.
32	532129861 Pulley Mandrel 42"	121	532143723 Bracket Extruded Gauge Wheel
33	532137266 Nut 9/16top Lock Fing Cntr	--	532140476 Deck Serv 42" Elec Vent (Standard Deck - Order Nose Roller, Mulch Cover and Gauge Wheel components separately Key Nos. 90-95, 101-106, and 111-121)
34	872110622 Bolt Rdhd 3/8-16uncx2-3/4 Gr5	--	532130794 Mandrel Assembly (Includes Key Numbers 8-10, 12-15, 31 and 33)
35	532133835 Fastner Christmas Tree		
36	532131494 Pulley Idler Flat 3 060		
37	819131316 Washer 13/32 X 13/16 X 16 Ga		
38	532132823 Spacer Spring Stop Idler		
40	873680600 Nut Crownlock 3/8-16 Unc		
44	532140088 Guard Mandrel LH Black		
46	532137729 Screw Thdrol 1/4-20x5/8		
54	532133943 Washer Hardened		

NOTE: All component dimensions given in U.S. inches
1 inch = 25.4 mm

For Husqvarna Parts Call 606-678-9623 or 606-561-4983
REPAIR PARTS

18 HP 42" TRACTOR - - MODEL NUMBER YT180 (954001082A)

DANA TRANSAXLE - - MODEL NUMBER 4360-81



For Husqvarna Parts Call 606-678-9623 or 606-561-4983

REPAIR PARTS

18 HP 42" TRACTOR - - MODEL NUMBER YT180 (954001082A)

DANA TRANSAXLE - - MODEL NUMBER 4360-81

KEY PART NO.	NO.	DESCRIPTION	KEY PART NO.	NO.	DESCRIPTION
1	532142671	Housing, Upper	41	532105928	Sprocket, 9 Teeth
2	532002274	Screw, Self-Tapping, Large 1/4-20 x .734	42	532106605	Gear, Bevel, 42 Teeth
3	532134400	Ball, Detent	43	532134394	* Assembly, Kit, Shim .750 Shaft
4	532105904	Spring, Detent	44	532120473	Shaft, Drive
5	532105905	Screw, Set	45	532106596	Screw, Self-Tapping, Large 5/16-18 x 1.44
6	532134788	Kit, Shifter Assembly	46	532142678	Gear, Spur, 12 Teeth
7	532134399	Boot, Shifter	47	532120407	Gear, Spur, 20 Teeth
8	532120951	Puck, Friction	48	532106589	Gear, Spur, 25 Teeth
9	532134791	Screw, Self-Tapping, with Sealer	49	532120408	Gear, Spur, 28 Teeth
10	532142672	Ring, Retaining	50	532105937	Gear, Spur, 31 Teeth
11	532134793	* Assembly, Kit, Shim .625 Shaft	51	532002226	Washer, Plain .632 x 1.00 x .060
12	532142679	Gear, Spur, 15 Teeth	52	532134401	Washer, Neoprene
13	532120415	Washer, Plain .632 x 1.38 x .046	53	532002264	Washer, Plain .758 x 1.25 x .031
14	532142674	Key, Woodruff, #9	54	532120474	Axle, L.H.
15	532106846	Assembly, Kit, Input Shaft	55	532120409	Gear, Miter, 15 Teeth
16	532106095	Pinion, Bevel, 14 Teeth	56	532105941	Ring, Retaining
17	532105909	Ring, Retaining	57	532110071	Gear, Spur, 32 Teeth
18	532105910	Chain, 24 Pitches	58	532120952	Shaft, Cross
19	532105911	Bearing, Flange	59	532106592	Gear, Miter, 15 Teeth
20	532142675	Gear, Spur, 14 Teeth	60	532123908	Axle, R.H.
21	532138246	Collar, Clutch	61	532142680	Housing, Lower
22	532138237	Assembly, Kit, Clutch Keys	62	532120961	Puck, Friction
23	532143051	Bearing, Flange	63	532007294	Disc, Brake
24	532142676	Shaft, Intermediate	64	532108989	Spacer
25	532002244	Key, Woodruff, #61	65	532120953	Jaw, Brake
26	532105916	Ring, Retaining	66	532120954	Pin, Dowel
27	532120470	Sprocket, 18 Teeth	67	532134799	Screw, Self-Tapping, Large 5/16-18 x 2.25
28	532110070	Spacer	68	532138244	Lever, Actuating
29	532142677	Gear, Spur, 37 Teeth	69	532108996	Washer, Plain .321 x 1.00 x .055
30	532142681	Gear, Spur, 35 Teeth	70	532120956	Bracket, Anti-Rotation
31	532120405	Gear, Spur, 30 Teeth	71	873810500	Locknut 5/16-24
32	532108980	Gear, Spur, 25 Teeth	72	532143045	Seal, Oil
33	532120406	Gear, Spur, 22 Teeth	73	532120416	Grease
34	532134796	Gear, Spur, 19 Teeth			
35	532105925	Washer, Plain .640 x 1.37 x .061			
36	532002232	Washer, Plain .632 x 1.00 x .026			
37	532108978	Spacer .630 x 1.00 x .169			
38	532110079	Assembly, Gear, Combination of 12 Teeth and 35 Teeth			
39	532124639	Shaft, Idler			
40	532120472	Spacer .635 x .875 x .755			
					* Use in combinations to maintain proper clearances
					** Order Key No. 15

NOTE: All component dimensions given in U.S. inches
1 inch = 25.4 mm