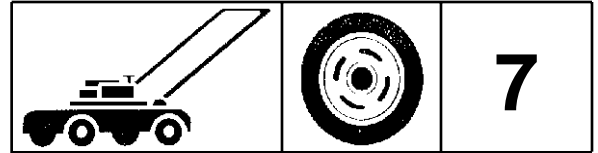
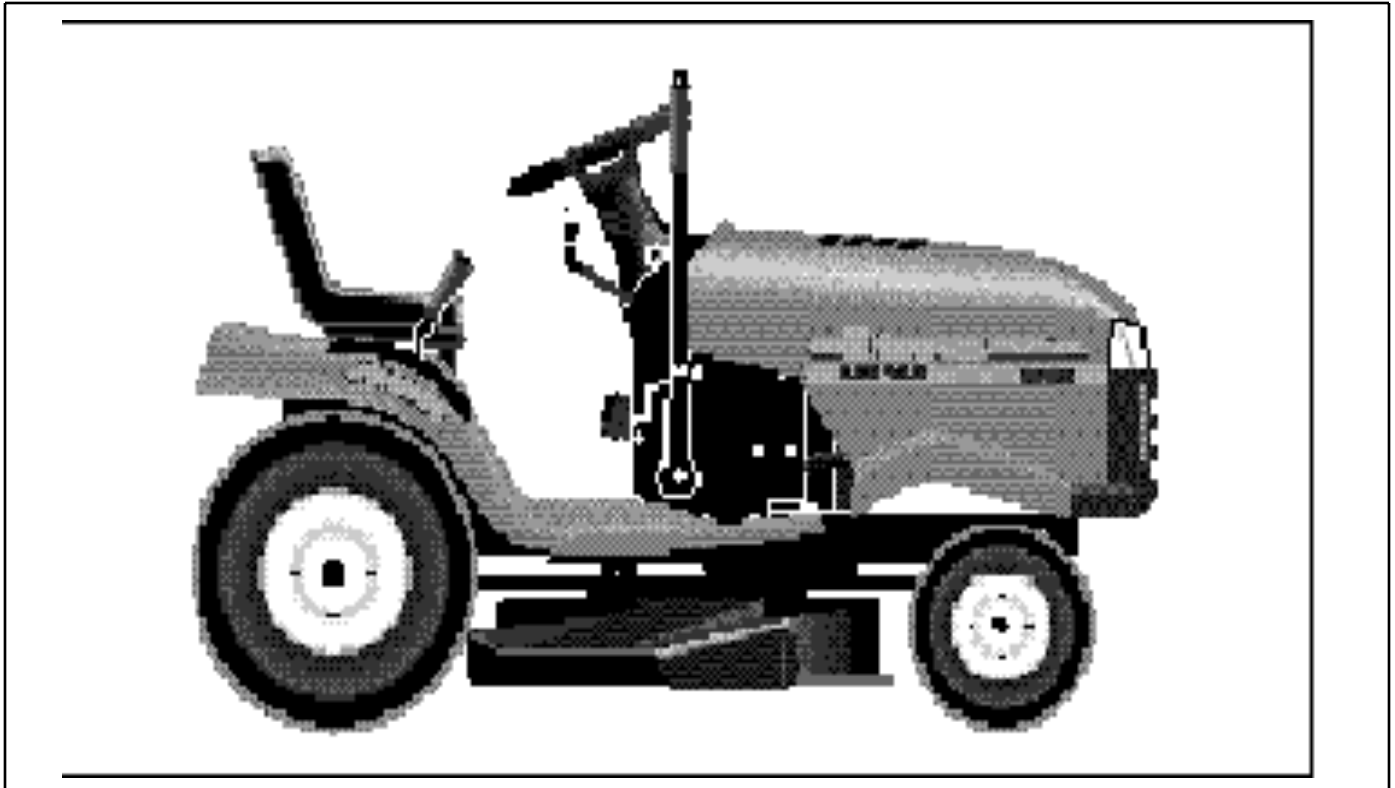


For Husqvarna Parts Call 606-678-9623 or 606-561-4983

 **Husqvarna**



LTH 140



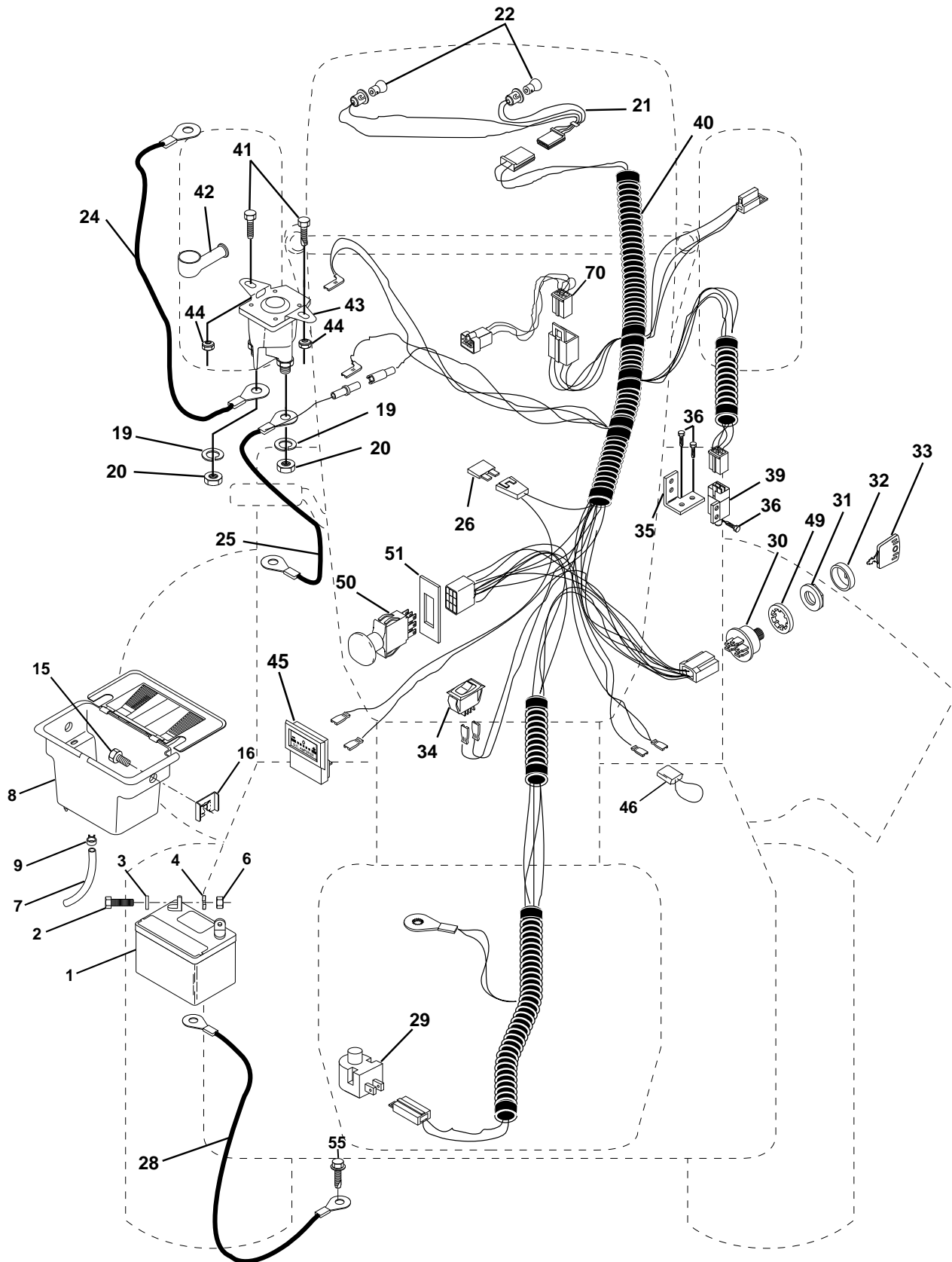
5.1998
PARTS LISTING

954001192B

For Husqvarna Parts Call 606-678-9623 or 606-561-4983 REPAIR PARTS

TRACTOR - - MODEL NO. LTH140 (954001192B)

ELECTRICAL



REPAIR PARTS

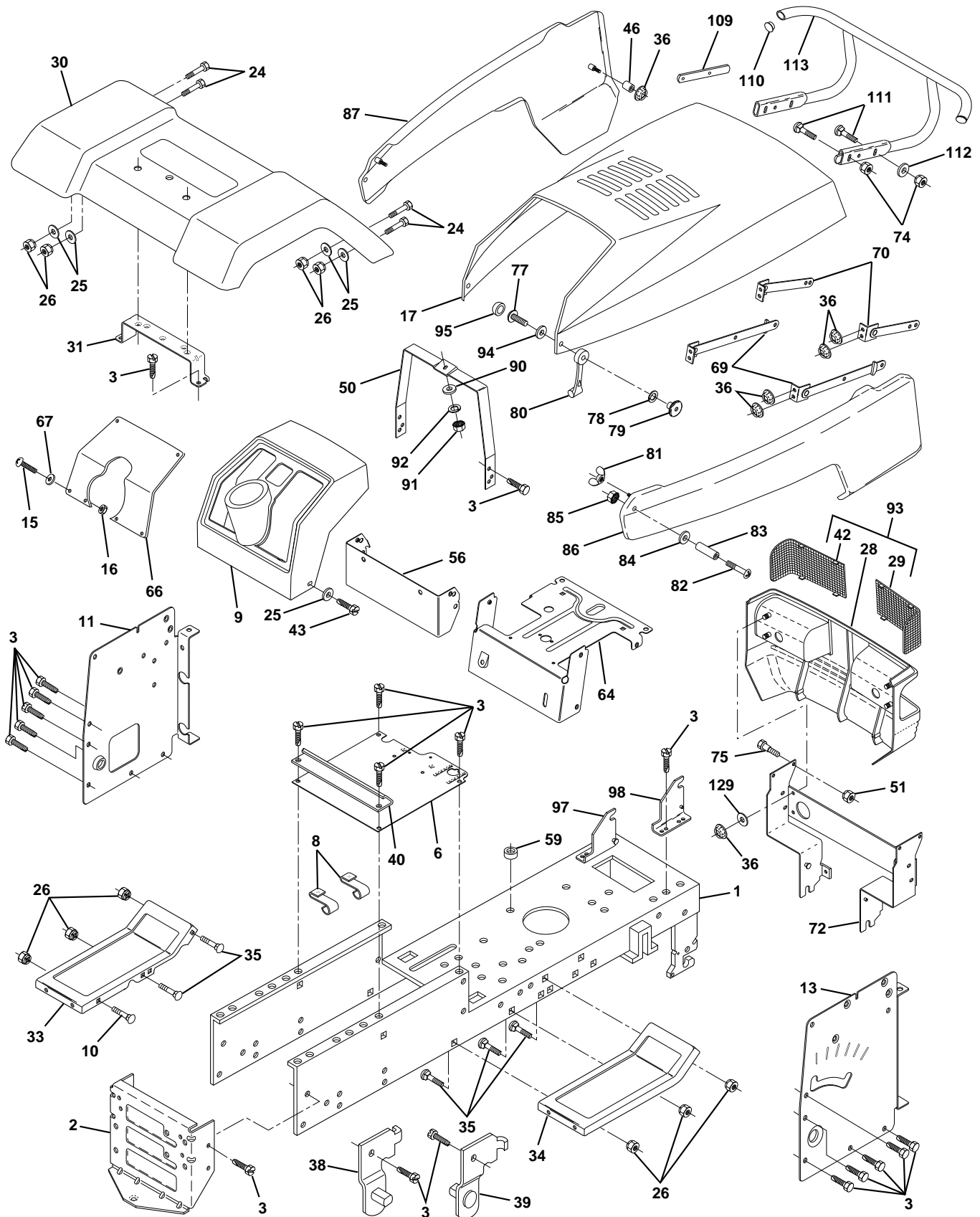
TRACTOR - - MODEL NO. LTH140 (954001192B)

ELECTRICAL

KEY NO.	PART NO.	DESCRIPTION
1	532144926	Battery 12 Volt 30 Amp
2	874760412	Bolt Hex Hd 1/4-20unc X 3/4
3	819091016	Washer 9/32 X 5/8 X 16 Ga
4	810040400	Washer Lock Hvy Helical 1/4
5	532121264	Caps Battery 20/25/30 Amp
6	873220400	Nut Fin Hex 1/4-20 Unc
7	532109238	Tube Plastic 12"
8	532144940	Case Battery
9	532109596	Clamp Hose Olive
15	532144935	Screw Cap Hex Nylon 3/8-16 x 1
16	532145355	Nut Nylon 3/8-16
19	810090400	Washer Lock 1/4
20	873350400	Nut Jam Hex 1/4-20 Unc
21	532136850	Harness Socket Light w/4152J
22	532004152	Bulb, Light # 1156
23	811150400	Washer, Lock Int. Tooth 1/4
24	532146136	Cable Battery 6ga 24" red
25	532148009	Cable Battery 6ga w/16 Ga. Wire 38"
26	532108824	Fuse 30 Amp Auto Green
28	532124773	Cable Ground 6ga 12"black
29	532121305	Switch Plunger Nc Gray
30	532144921	Switch Ign 3 pos
31	532140400	Nut Ignition
32	532141226	Cover Sw Key
33	532140401	Key Ign Molded Generic
34	532110712	Switch Light Blk Blk Red
35	532108236	Bracket Switch Clutch
36	817021008	Screw Hex Tapping # 10-24 X 1/2
39	532109553	Switch Interlock Clutch
40	532145493	Harness Ign Elec. Dash Yp 1995
41	871110412	Bolt Blk. Fin Hex 1/4-20 x 3/4
42	532131563	Cover Terminal Red
43	532145673	Solenoid
44	873510400	Nut Keps Hex 1/4-20 Unc
45	532122822	Ammeter Rectangular
46	532141940	Protection Wire Loop
49	811151000	Washer Lock Internal Tooth 5/8
50	532140404	Switich PTO 3 pdt deltg
51	532140405	Ring Retainer PTO
70	532140426	Harness Engine Koh. cmd I .15AR

NOTE: All component dimensions given in U.S. inches.
1 inch = 25.4 mm

CHASSIS AND ENCLOSURES



For Husqvarna Parts Call 606-678-9623 or 606-561-4983

REPAIR PARTS

TRACTOR - - MODEL NO. LTH140 (954001192B)

CHASSIS AND ENCLOSURES

KEY PART NO. NO.	DESCRIPTION	KEY PART NO. NO.	DESCRIPTION
1	532145501 Chassis 11 ga	69	532106784 Strap Assembly, Hinge, Rear
2	532140356 Drawbar	70	532104618 Strap Assembly, Hinge, Front
3	817490612 Screw, Thd., Roll. 3/8-16 x 3/4	72	532126025 Support Assembly, Grille
6	532145206 Saddle	74	873680600 Nut Crownlock 3/8-16 UNC
8	532126471 Clip Insulator .406 Mtg. Hole	75	532123481 Bolt, Shoulder 1/4-20 UNC
9	532140452 Dashboard	77	874191008 Screw, Machine, Cross Pan Head #10-24 x 1/2
10	872140608 Bolt, Carriage 3/8-16 UNC x 1	78	810071000 Washer, Lock #10
11	532145218 Dash Panel, LH	79	532125004 Nut, Weld
13	532145217 Dash Panel, RH	80	532109808 Latch, Chute
15	874180512 Screw, Machine 5/16-18 UNC x 3/4	81	532146525 Nut Wing Lck Nylon Notch 1/4-20
16	873510500 Nut, Hex, Keps 5/16-18 UNC	82	874981020 Screw, Machine, Cross Pan Head #10-24 x 1-1/4
17	532125454 Hood	83	532007206 Spacer, Split #10 x 3/4
24	874780616 Bolt Fin Hex 3/8-16 x 1 Gr.5	84	819070818 Washer 7/32 x 1/2 x 18 Gauge
25	819131312 Washer 13/32 x 13/16 x 12 Gauge	85	873731000 Nut, Hex, Keps #10-24 UNC
26	873800600 Nut Lock Hex w/ins 3/8-16 UNC	86	532138886 Side Panel, RH
28	532127325 Grille	87	532125393 Side Panel, LH
29	532124251 Lens, Headlight, RH, Smoked	90	819091216 Washer 9/32 x 3/4 x 16 Gauge
30	532143050 Fender	91	873220400 Nut, Hex, Fin. 1/4-20 UNC
31	532139976 Bracket Fender	92	810040400 Washer, Lock,Hvy Helical 1/4
33	532147203 Footrest, LH	93	532127321 Grill Assembly
34	532147202 Footrest, RH	94	532110357 Washer, Cap
35	872110606 Bolt, Carriage 3/8-16 x 3/4	95	532110356 Cap, Black
36	532108067 Nut Pal	97	532110853 Pivot Bracket Assembly, LH
38	532139886 Pivot Bracket Assembly, Rear, LH	98	532110852 Pivot Bracket Assembly, RH
39	532139887 Pivot Bracket Assembly, Rear, RH	109	532141461 Bracket Extension Bumper
40	532139977 Spacer Fender LT	110	532143679 Plug Plastic
41	532139978 Plate Extention Fender	111	872140610 Bolt Carriage 3/8-16 x 1-1/4
42	532124250 Lens, Headlight, LH, Smoked	112	819131316 Washer 13/32 x 13/16 x 16 Ga
43	817490616 Screw Thdrol 3/8-16 x 1	113	532141460 Bumper Asm
46	532127316 Retainer	129	819091016 Washer 9/32 x 5/8 x 16 Ga.
50	532145205 Support, Dash	---	532005479 Plug, Button
51	873800400 Nut Lock w/insert 1/4-20 UNC	---	532125085 Plug Dash
56	532145151 Dash Extension	---	532121794 Cover Access
59	532110436 Bushing Snap Split		
60	872140606 Bolt rdhd sqnk 3/8-16 x 3/4		
61	819171416 Washer 17/32 x 7/8 x 16 Ga		
64	532145095 Dash Lower		
66	532143049 Plate, Dash		
67	819111116 Washer 11/32 x 11/16 x 16 Gauge		

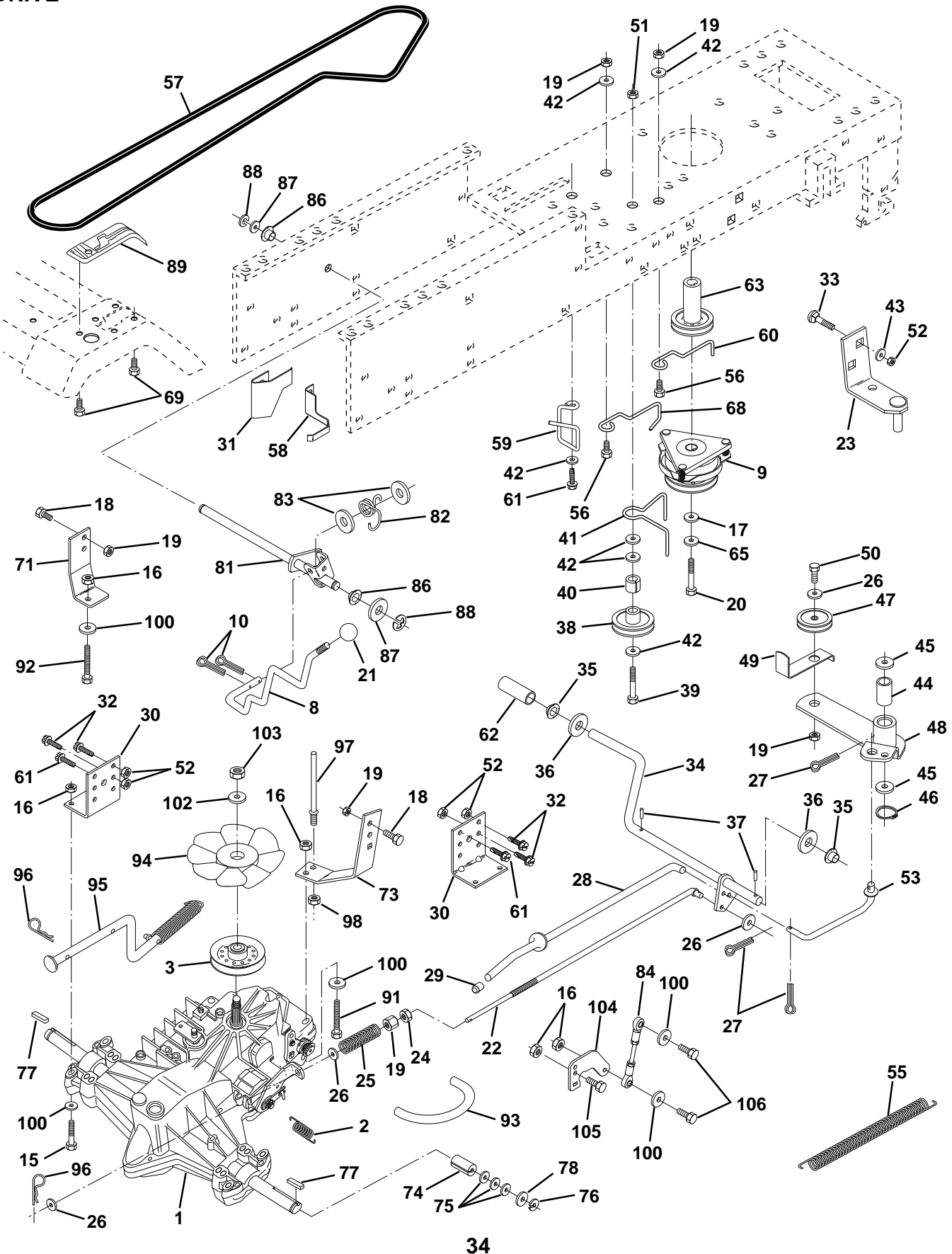
NOTE: All component dimensions given in U.S. inches

1 inch = 25.4 mm

REPAIR PARTS

TRACTOR -- MODEL NO. LTH140 (954001192B)

DRIVE



REPAIR PARTS

TRACTOR - - MODEL NO. LTH140 (954001192B)

DRIVE

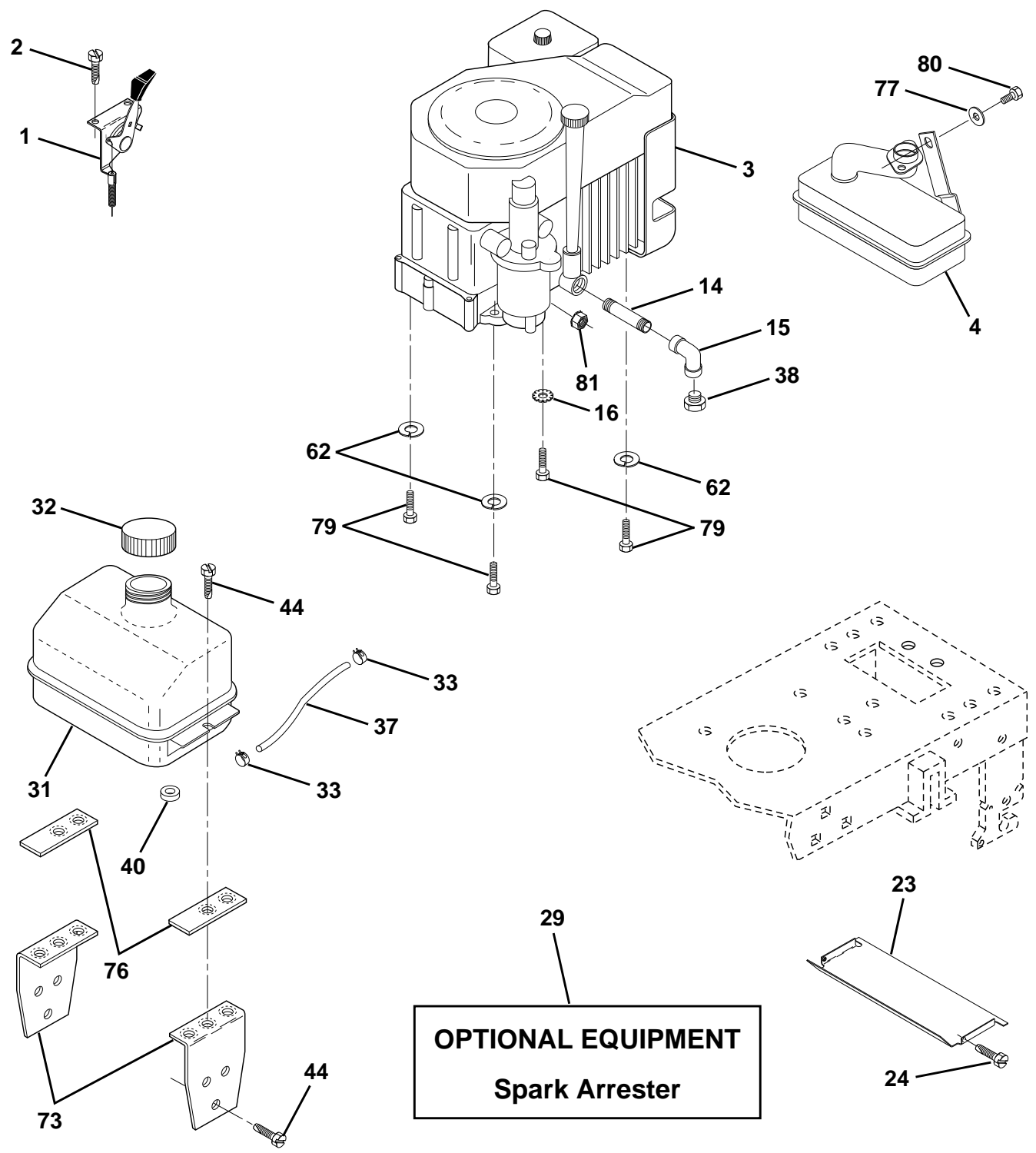
KEY NO.	PART NO.	DESCRIPTION	KEY NO.	PART NO.	DESCRIPTION
1	532144436	Transaxle Assembly	57	532140294	V-Belt, Ground Drive
2	532142431	Spring, Return, Brake	58	532140470	Keeper Belt Lh Hydro 0750.18/20"
3	532143995	Pulley, Transaxle			
8	532141003	Rod Shift Hydro LT	59	532140312	Keeper, Center Span
9	532137140	Clutch Elect 105 Ft/Lb	60	532121218	Keeper Belt Engine
10	876020416	Pin Cotter 1/8 x 1 CAD	61	817490612	Screw Thdrol. 3/8-16 x 3/4 Ty. TT
15	874780544	Bolt Fin Hex 5/16-18 Unc			
16	873800500	Nut Lock Hex W/Ins. 5/16-18 Unc P	62	532123533	Cover, Pedal
			63	532140189	Pulley, Engine
17	532126197	Washer 1-1/2 OD x 15/32 ID x .250	65	810040700	Washer
			67	874760616	Bolt
18	874780616	Bolt Fin Hex 3/8-16 Unc x 1 Gr.5	68	532105730	Keeper Belt Engine
			69	532142432	Screw
19	873800600	Nut Lock Hex W/Wsh 3/8-16 Unc	71	532140158	Strap Torque Lh Hydro 18/20" T
			73	532140157	Strap Torque Rh Hydro 18/20" T
20	532125120	Bolt, Hex			
21	532140845	Knob, Deluxe 1/2-13	74	532121199	Spacer Split .80 x 1.70 Cad 13 UNC
22	532145627	Rod, Brake Hydro			
23	532137141	Bracket Asm Mtg Cl	75	532121749	Washer 25/32 x 1-1/4 x 16 Gauge
24	873350600	Nut			
25	532106888	Spring, Brake Rod	76	812000001	E-Ring
26	819131316	Washer	77	532123583	Key, Square
27	876020412	Pin Cotter 1/8 x 3/4 CAD.	78	532121748	Washer 25/32 x 1-5/8 x 16 Gauge
28	532145204	Rod, Parking Brake			
29	532071673	Cap, Parking Brake	81	532140154	Shaft Asm. Cross Hydro 20" Tires
30	532130807	Bracket, Transaxle			
31	532127275	Keeper Belt Lh	82	532123782	Spring Torsion T/A
32	874760512	Bolt Hex Hd 5/16-18 Unc x 3/4	83	819171216	Washer 17/32 x 3/4 x 16 Ga.
33	872140506	Bolt Carriage 5/16-18 x 3/4	84	532140548	Rod, Tie Hydro 20" Tires
34	532149001	Shaft, Foot Pedal	86	532071208	Bushing Rod Strig. 629/632 ID
35	532120183	Bearing, Nylon	87	819212016	Washer 21/32 x 1-1/4 x 16 Ga.
36	819211616	Washer	88	812000008	Ring Klip #5304-62
37	532124963	Pin, Roll	89	532139988	Console, Shift
38	532123674	Pulley, Idler, Flat	91	874780536	Bolt Fin Hex 5/16-18 x 2-1/4
39	874760644	Bolt	92	874780524	Bolt Fin Hex 5/16-18 Unc x 1-1/2
40	532124965	Spacer Split			
41	532109070	Keeper, Belt Retainer	94	532140462	Fan, Hydro 7"
42	819131312	Washer 13/32 x 13/16 x 12 Gauge	93	532142564	Line Fuel Hydro 4"
			95	532144643	Control Asm Bypass Hydro
43	819111012	Washer 11/31 x 5/8 x 12 Ga.	96	532124788	Retainer Spring 1" Zinc/Cad
44	532105706	Bearing, Nylon	97	532140469	Keeper Belt Rh Hydro 0750.18/20"
45	532110812	Washer, Hardened			
46	812000039	Ring, Klip	98	873510600	Nut Keps Hex 3/8-16 Unc
47	532127783	Pulley, Idler, V-Groove	100	819111216	Washer 11/32 x 3/4 x 16 Ga.
48	532123789	Bellcrank Assembly	102	532141322	Washer Belleville .501D x 1.50D
49	532123205	Retainer, Belt			
50	874760624	Bolt	103	873940800	Nut Hex Jam Toplock 1/2-20 unf
51	873680600	Nut	104	532140156	Arm, Control Hydro
52	873680500	Nut Crownlock 5/16-18 UNC	105	871070516	Screw Cap Hex 5/16 x 18 x 1
53	532105710	Link, Clutch	106	874780520	Bolt Fin Hex 5/16-18 Unc x 1-1/4
55	532105709	Spring, Return, Clutch			
56	874760620	Bolt Fin Hex 3/8-16 x1-1/4			

NOTE All component dimensions given in U. S. inches.
1 inch = 25.4 mm

REPAIR PARTS

TRACTOR -- MODEL NO. LTH140 (954001192B)

ENGINE



REPAIR PARTS

TRACTOR - - MODEL NO. LTH140 (954001192B)

ENGINE

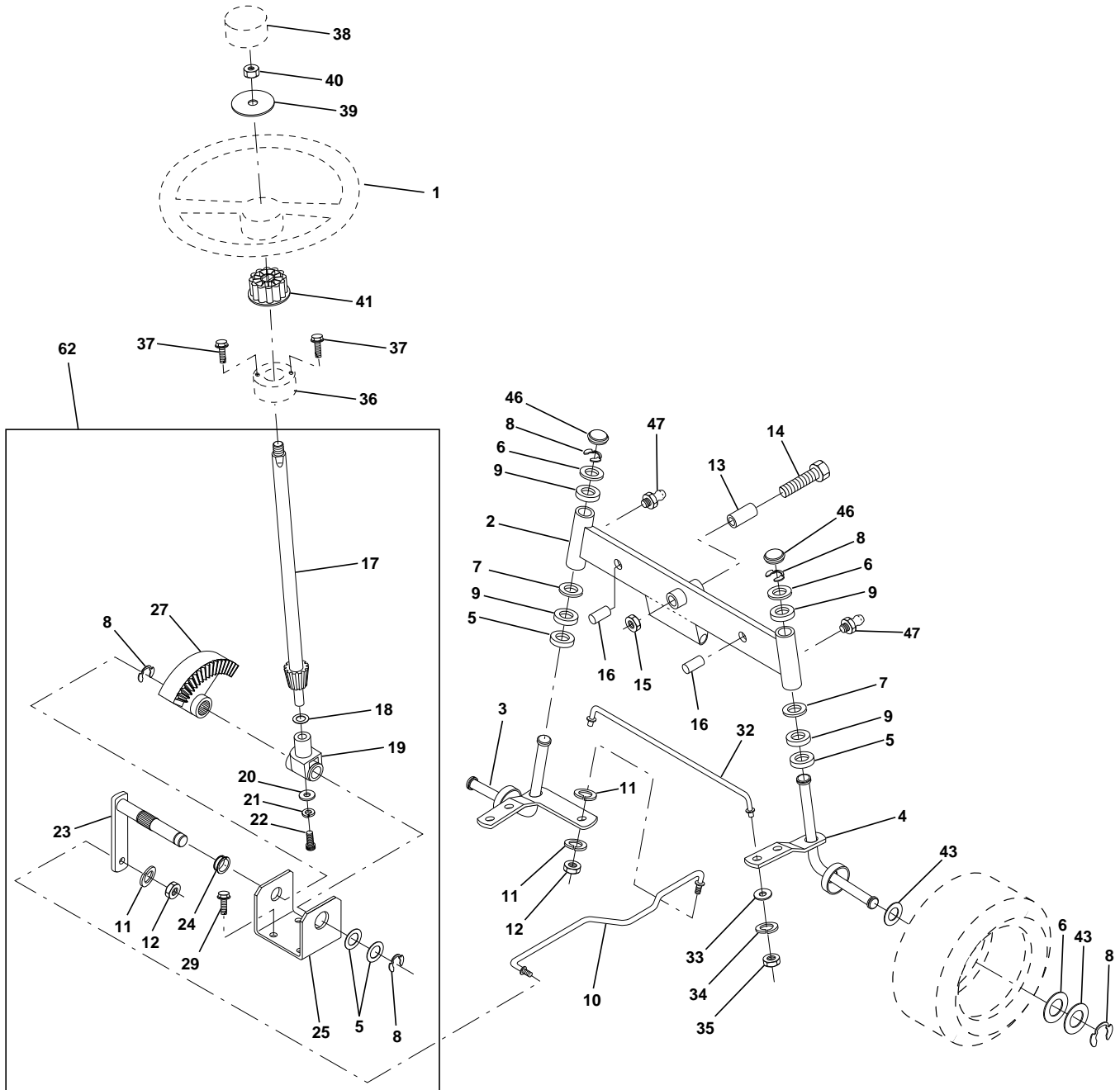
KEY PART NO.	PART NO.	DESCRIPTION
1	532132753	Control Th/ch
2	817720410	Screw Hex Thd Cut 1/4-20x5/8 T
3	-----	Engine Kohl 14 HP Model No. PS1456
4	532137350	Muffler LT Kohler
14	813280328	Nipple Pipe 3/8 Npt X 3-1/2"
15	813200300	Elbow Std 90° 3/8-18 Npt
16	811050600	Washer Lock Ext Tooth 3/8
23	532128953	Shield Heat Browning
24	817021008	Screw Hex Thd Cut #10-24unc X 1/2
29	532137180	Kit Spark Arrestor
31	532109202	Fuel Tank Front 1 25
32	532140527	Cap Asm Fuel W/sym Vented
33	532123487	Hose Clamp
37	532101335	Fuel Line
38	-----	Plug Oil Drain (Order from Engine Mfg.)
40	532110436	Bushing Snap Split
44	817490612	Screw Hexwash Thdrol 3/8-16x3/4 Ty-tt
45	-----	Bolt, Hex (Order from Engine Mfg.)
62	810040500	Washer Lock Hvy Hlcl Spr 5/16
73	532128229	Bracket Support Tank Fuel
76	532128230	Strap Support Fuel Tank
77	819101216	Washer, Flat
79	532125398	Bolt Hex
80	874760508	Bolt, Fin Hex 5/16-18 X 5/8
81	873510400	Nut Keps Hex 1/4-20 Unc

NOTE: All component dimensions given in U. S. inches.
1 inch = 25.4 mm

REPAIR PARTS

TRACTOR -- MODEL NO. LTH140 (954001192B)

STEERING ASSEMBLY



REPAIR PARTS

TRACTOR - - MODEL NO. LTH140 (954001192B)

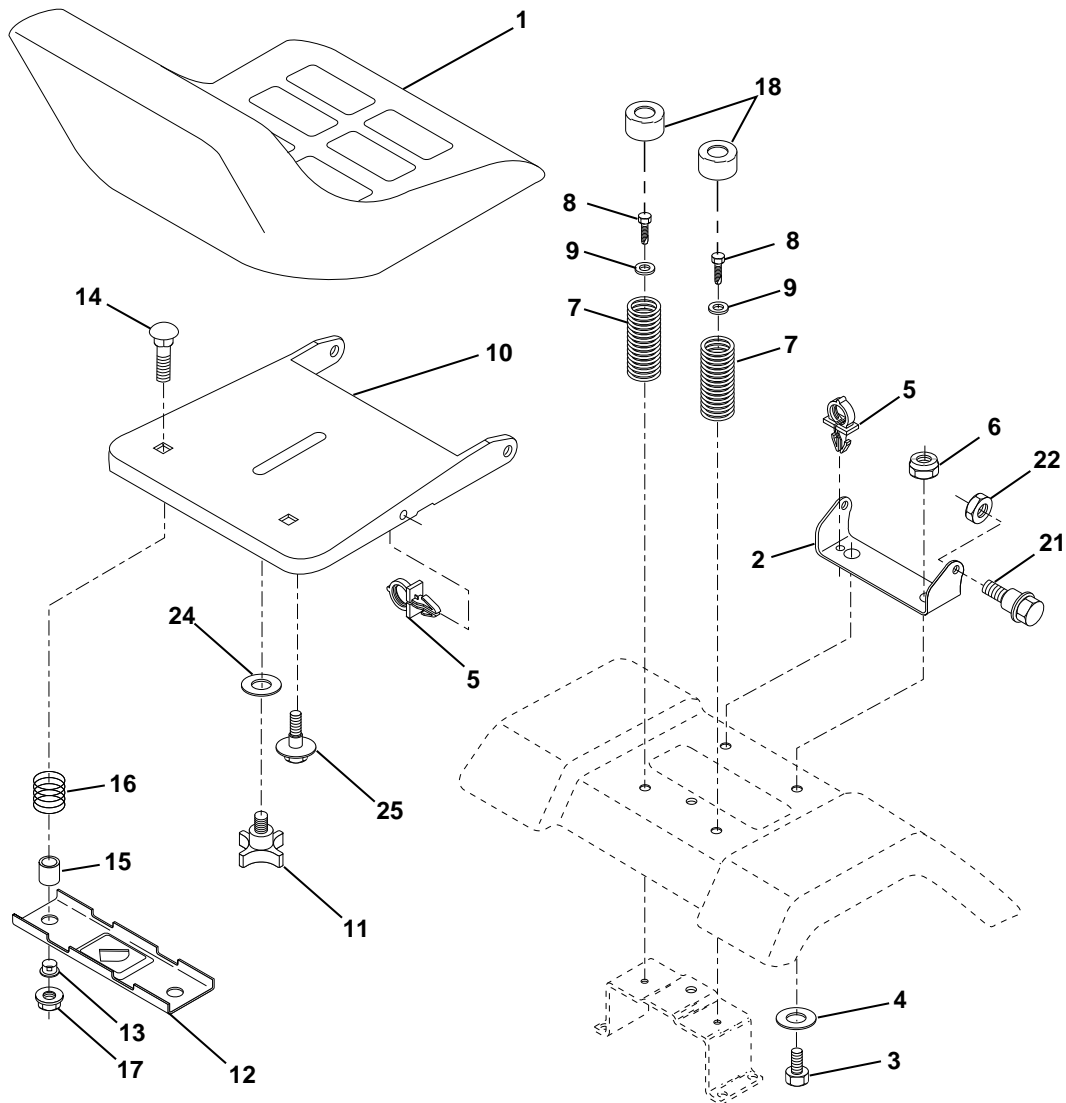
STEERING ASSEMBLY

KEY PART NO.	PART NO.	DESCRIPTION
1	532124415	Wheel Steering
2	532142033	Axle Asm Fr LT W/gzks 38/42
3	532135227	Spindle Asm LH
4	532135228	Spindle Asm RH
5	532124931	Bearing Race Thrust Harden
6	532121748	Washer 25/32 X 1-5/8 X 16 Ga
7	819272016	Washer 27/32 X 1-1/4 X 16 Ga
8	812000029	Ring Klip #5304-75
9	532124937	Bearing Col Strg
10	532130468	Link Drag Sol Ball Jt
11	810040600	Washer Lock Hvy Hlcl Spr 3/8
12	873610600	Nut Fin 3/8-24 Unf
13	532110438	Spacer Bearing Axle Front
14	874011056	Bolt Hex 5/8-11 Unc X 3-1/2
15	873901000	Nut Lock Flange 5/8-11 Unc
16	532132624	Pin Axle 5/8 X 1 55/1 54 Lg
17	532128758	Shaft Asm Strg 18 31x3/4
18	532057079	Washer Thrust 515x 750x 033
19	532124035	Suport Shaft
20	532126684	Washer Shim 1/4 X 5/8 X 062
21	810040400	Washer Lock Hvy Helical 1/4
22	871070410	Screw Hex Socket 1/4-20 X 5/8
23	532127501	Shaft Asm Pittman
24	532109816	Nyliner Snap In
25	532124036	Bracket Steering
27	532136874	Gear Sector
29	817490612	Screw Thdrol 3/8-16x3/4 Ty-tt
32	532130467	Rod Tie Wire Form
33	819111216	Washer 11/32 x 12/16 x 16 Ga.
34	810040500	Washer, Lock, Hvy Hlcl Spr 5/16
35	873810500	Locknut 5/16-24 Unf
36	532145207	Bushing Strg. 3/4" Angle
37	817541008	Screw Slftp #10-24 x 1/2
38	532124416	Insert Cap Strg Wh Aut
39	532100712	Washer 53 X 2 25 X 160
40	873940800	Nut Hex Jam Taplock 1/2-20 Unf
41	532100711	Adapter Wheel Strg
43	532121749	Washer 25/32 X 1 1/4 X 16 Ja
46	532121232	Cap Spindle Fr Top
47	532124836	Fitting Grease
62	532149682	Kit, Steering Asm.

NOTE: All component dimensions given in U. s. inches.
1 inch = 25.4 mm

TRACTOR - - MODEL NO. LTH140 (954001192B)

SEAT ASSEMBLY



KEY NO.	PART NO.	DESCRIPTION
1	532124185	Seat
2	532140551	Bracket Pivot Seat
3	874760616	Bolt, Hex 3/8-16unc x 1
4	819131610	Washer 13/32 X 1 X 10 Ga
5	532145006	Clip Push in Hinged
6	873800600	Nut, Crownlock 3/8-16 Unc
7	532124181	Spring Seat Cprsn
8	817490616	Screw Hwsh Thdrol 3/8-16x1
9	819131614	Washer 13/32 X 1 X 14 Ga
10	532140552	Pan Seat
11	532120068	Knob Seat 1/2-13unc
12	532121246	Bracket Mounting Switch

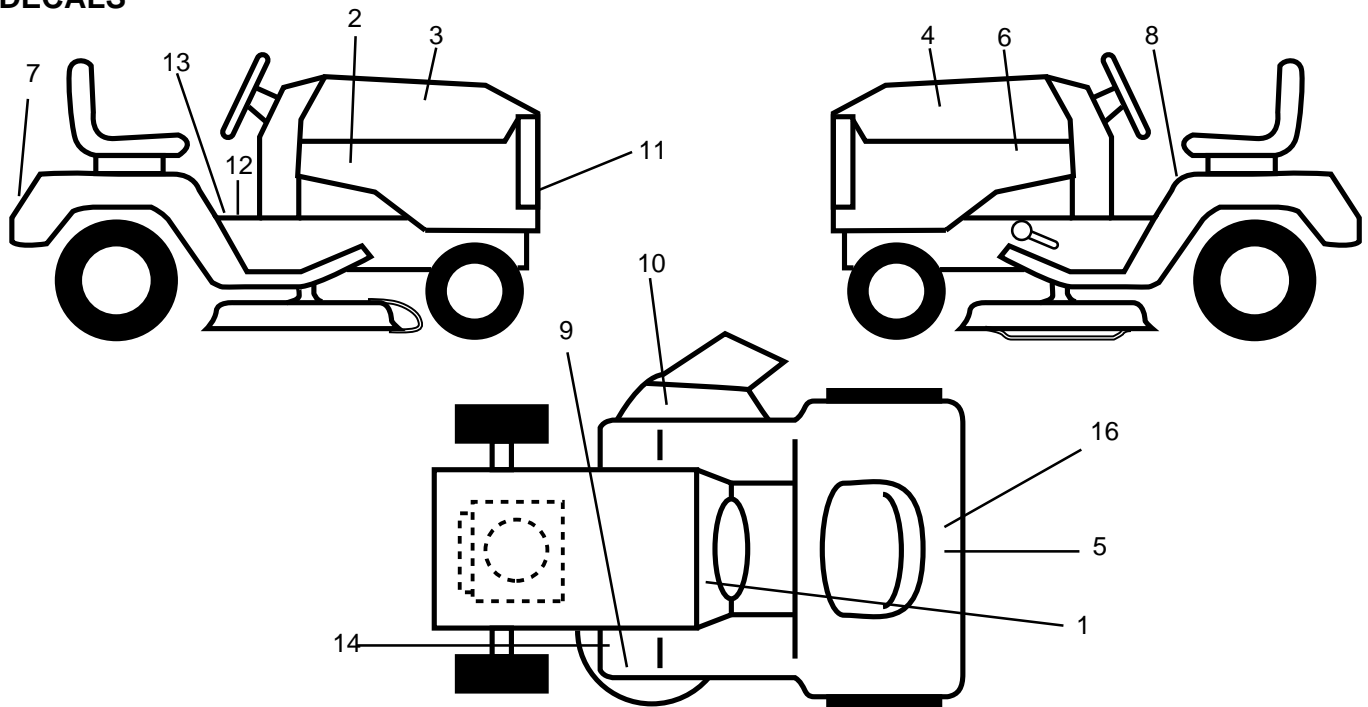
KEY NO.	PART NO.	DESCRIPTION
13	532121248	Bushing Snap
14	872050411	Bolt 1/4-20x1-3/8
15	532134300	Spacer Split
16	532121250	Spring Cprsn
17	532123976	Locknut 1/4 Gr. 5
18	532124238	Cap Spring Seat
21	532139888	Bolt, Shoulder 5/16-18 Unc
22	873800500	Nut, Lock Hex w/ins 5/16-18 UNC
24	819171912	Washer 17/32 X 1-3/16 X 12 Ga
25	532127018	Bolt, Shoulder 5/16-18 X 62

NOTE All component dimensions given in U.S. inches.
 1 inch = 25.4 mm

REPAIR PARTS

TRACTOR -- MODEL NO. LTH140 (954001192B)

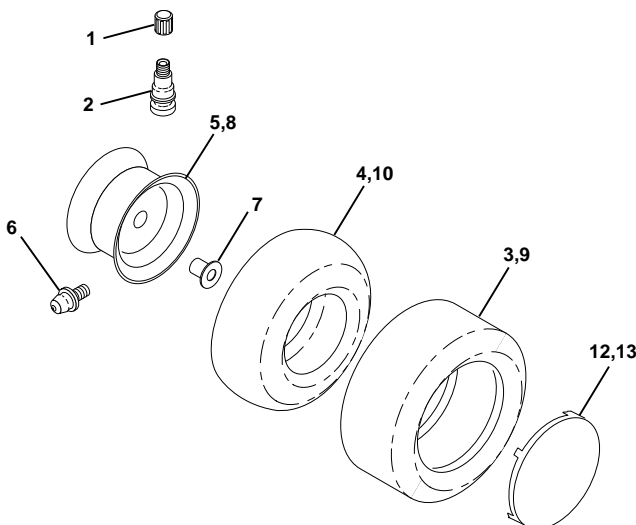
DECALS



KEY NO.	PART NO.	DESCRIPTION
1	532138956	Decal Instruction Dash Eng/fr
2	532140863	Decal Ins Hood RH LTH140 Hydro
3	532140728	Decal Hood RH Husq
4	532140729	Decal Hood LH Husq
6	532140865	Decal Ins Hood LH LTH140 Hydro
7	532131582	Decal Fender Husqvarna
8	532133795	Decal Caution Fender Eng/fr
9	532101892	Decal Clutch/brake Eng/fr
10	532137259	Decal Warning MULT-LANGUAGE
11	532125989	Decal Grille Husqvarna "h" logo
12	532142337	Decal Sdl Cold Start Hyd. e/f
13	532140837	Decal Brake Parking Saddle
14	532136832	Decal VBelt Sch. 38" and 42" LT

KEY NO.	PART NO.	DESCRIPTION
16	532145005	Decal Bat Ban/Poi P/L Symbols
-	532145246	Pad Footrest
-	532138311	Decal Lift Handle(Lift Handle)
-	532142341	Decal D-Bar Control Mnt. Hyd. Lt
-	532145247	Fastener Pop In Footrest (8 per)
-	532147921	Manual Owner's English
-	532147922	Manual Owner's French
Available accessories not included with tractor:		
-	LC06	Tire Chains
-	LBD48	48" Snow blade
-	CE42	42" Bagger
-	LC05	33 lb. Weights (pairs)
-	LSB42	42" Snow Thrower
-	MK420	Mulching Kit

WHEELS & TIRES



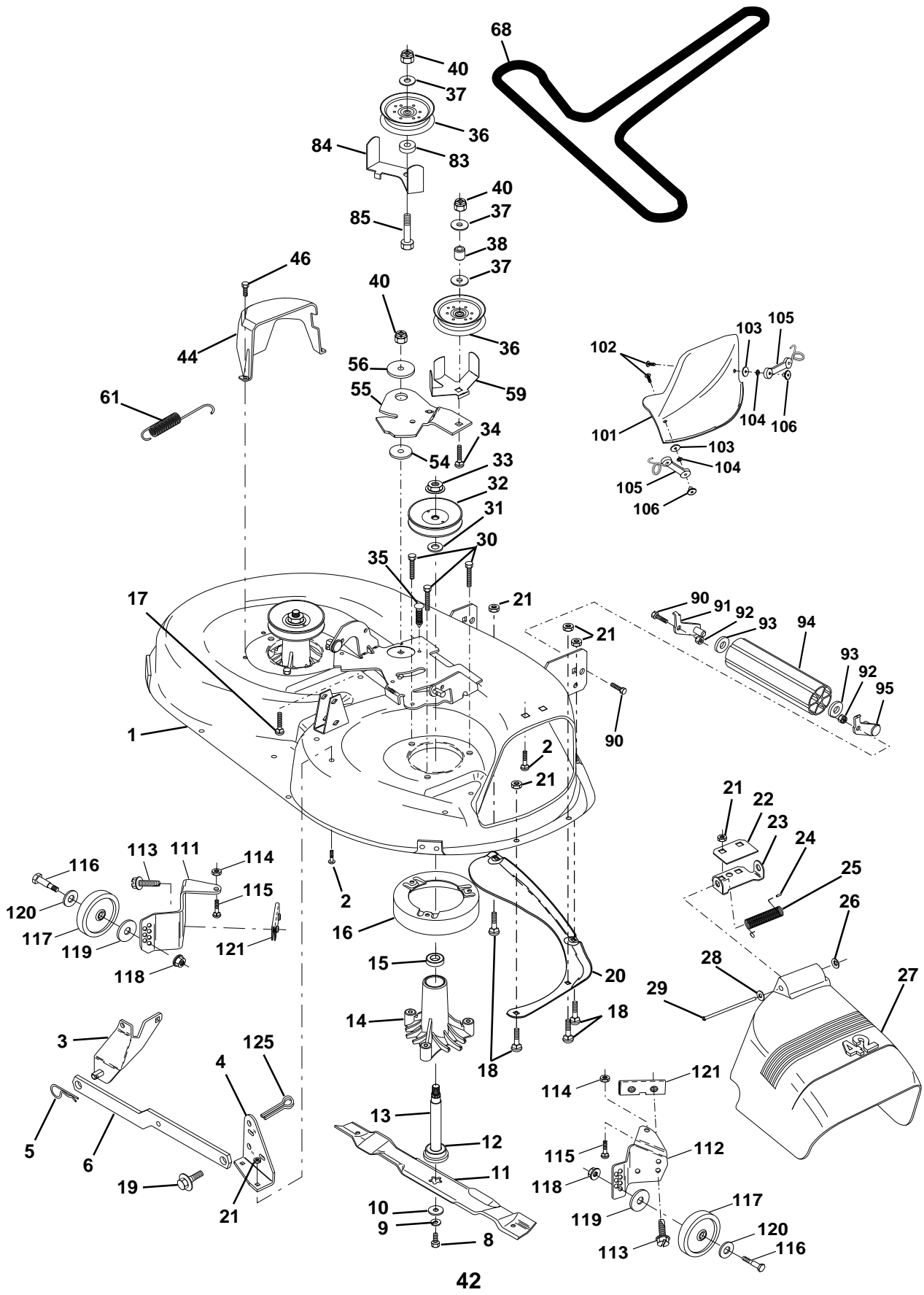
KEY NO.	PART NO.	DESCRIPTION
1	532059192	Cap Valve Tire
2	532065139	Stem Valve
3	532106222	Tire F Ts 15 X 6 0 - 6 Service
4	532059904	Tube Front (Service Item Only)
5	532141446	Rim Asm Front 6"
6	532124957	Fitting Grease (Front Wheel Only)
7	532124959	Bearing Flange (Front Wheel Only)
8	532141447	Rim Asm 8"rear White Service
9	532122082	Tire R Ts 20x10 -8C Service
10	532124926	Tube Rear (Service Item Only)
12	532124577	Cover Wheel 6"white
13	532124578	Cover Wheel 8"white
--	532144334	Sealant, Tire (10 oz. Tube)

NOTE: All component dimensions given in U.S. inches
1 inch = 25.4 mm

REPAIR PARTS

TRACTOR -- MODEL NO. LTH140 (954001192B)

MOWER



REPAIR PARTS

TRACTOR - - MODEL NO. LTH140 (954001192B)

MOWER

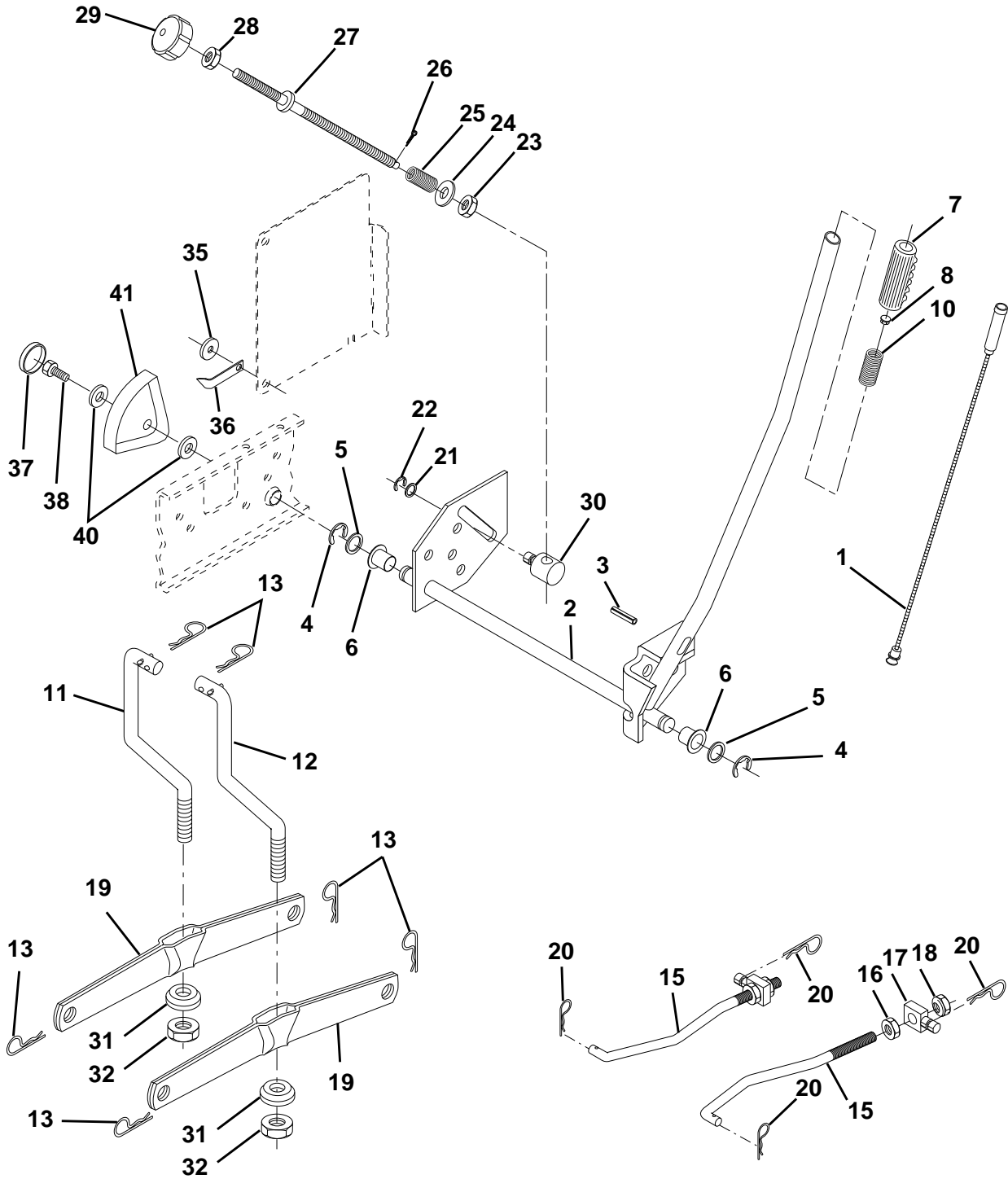
KEY PART NO. NO.	DESCRIPTION	KEY PART NO. NO.	DESCRIPTION
1	532144393 Deck Asm MWR 42"weldment	55	532140084 Arm Idler 42"mower LT/YT
2	872140506 Bolt Rdhd Sqnk 5/16-18unc X3/4	56	532122052 Spacer Retainer Pm Mower
3	532138017 Bracket Asm Fr Sway Bar 38/42	59	532141043 Guard, Belt
4	532138440 Bracket Asm Deck 42"sway Bar	61	532131950 Spring Ext. Elect
5	532124670 Retainer Spring	68	532144200 V-Belt Mower 42"
6	532130832 Arm Suspension Rear	83	532120958 Washer Sintered
8	532850857 Bolt 3/8-24x1 25 Gr8 Patched	84	532144394 Keeper Belt Idler Fixed
9	810030600 Washer Lock Hvy 3/8 Unplated	85	872140618 Bolt Carriage 3/8 - 16 x 2-1/4
10	532140296 Washer Hard Blade Mower Vented	90	874760616 Bolt Fin Hex 3/8-16unc X 1
11	532134149 Blade Mower Mulching 42"	91	532132274 Bracket Asm Noseroller LH
12	532129895 Bearing Ball #6204 (Mandrel)	92	873800600 Nut Lock 3/8-16 Unc
13	532137645 Shaft Asm W/lower Bearing	93	819171416 Washer 17/32 X 7/8 X 16 Ga
14	532128774 Housing Mandrel Vented(machd)	94	532132264 Roller Nose 38 & 42
15	532110485 Bearing Ball Mandrel	95	532132273 Bracket Asm Noseroller RH
16	532140329 Stripper Mower Vented	101	532136420 Cover Mulching 42" Blk
17	872110618 Bolt Rdhd Sqnk 3/8-16 X 2-1/4	102	871161010 Screw
18	872140505 Bolt Carr 5/16-18 X 5/8	103	810071000 Washer Lock #10
19	532132827 Bolt Shoulder	104	819061216 Washer #10
20	532136888 Baffle Vortex 42	105	532130758 Latch Asm Bagger
21	873680500 Nut Crown Lock 5/16-18 UNC	106	532125004 Nut Weld .327/.304 #10-24
22	532134753 Stiffener Bracket 42"deck	111	532140353 Bracket Wheel Gauge Lh 42" Deck
23	532131267 Bracket Deflector Mower 42"	112	532132262 Bracket Gauge Wheel Rh 42" Deck
24	532105304 Cap Sleeve 80x 112 Blk Mower	113	817490512 Screw Thdrol 5/16 - 18 x 3/4 Tyt
25	532123713 Spring Torsion Deflector 2 52	114	873510500 Nut Keps 5/16 - 18 UNC
26	532110452 Nut Push Phos & Oil	115	872110504 Bolt Carriage 5/16 - Unc x 1/2
27	532130968 Shield Deflector Mower 42" Blk	116	532124842 Bolt Shld "A" 2.41 "B" 1.66
28	819111016 Washer 11/32 X 5/8 X 16 Ga	117	532105455 Wheel Gauge blk. 4.93
29	532131491 Rod Hinge 42"6 75 Wlg	118	873930600 Nut Centerlock 3/8 - 16 UNC
30	532138776 Screw Thdrol Hex Hd Zinc Mwr.	119	819121414 Washer 3/8 x 7/8 x 14 Ga.
31	532129963 Washer Spacer Mower Vented	120	819171512 Washer 17/32 x 15/16 x 12 Ga.
32	532129861 Pulley Mandrel 42"	121	532143723 Bracket
33	532137266 Nut 9/16top Lock Flng Cntr	125	876020816 Pin Cotter 1/4 1 Plated
34	872110622 Bolt Rdhd 3/8-16uncx2-3/4 Gr5	--	532145452 Deck Serv 42" Elec Vent (Standard Deck - Order Nose Roller, Gauge Wheel and Mulcher Plate components separately Key Nos. 90-95, 101-106 and 111-121)
35	532133835 Fastner Christmas Tree	--	532130794 Mandrel Assembly (Includes Key Numbers 8-10, 12-15, 31 and 33)
36	532131494 Pulley Idler Flat 3 060		
37	819131316 Washer 13/32 X 13/16 X 16 Ga		
38	532132823 Spacer Spring Stop Idler		
40	873680600 Nut Crownlock 3/8-16 Unc		
44	532140088 Guard Mandrel LH Black		
46	532137729 Screw Thdrol 1/4-20x5/8		
54	532133943 Washer Hardened		

NOTE: All component dimensions given in U.S. inches
1 inch = 25.4 mm

REPAIR PARTS

TRACTOR - - MODEL NO. LTH140 (954001192B)

MOWER LIFT ASSEMBLY



REPAIR PARTS

TRACTOR - - MODEL NO. LTH140 (954001192B)

MOWER LIFT ASSEMBLY

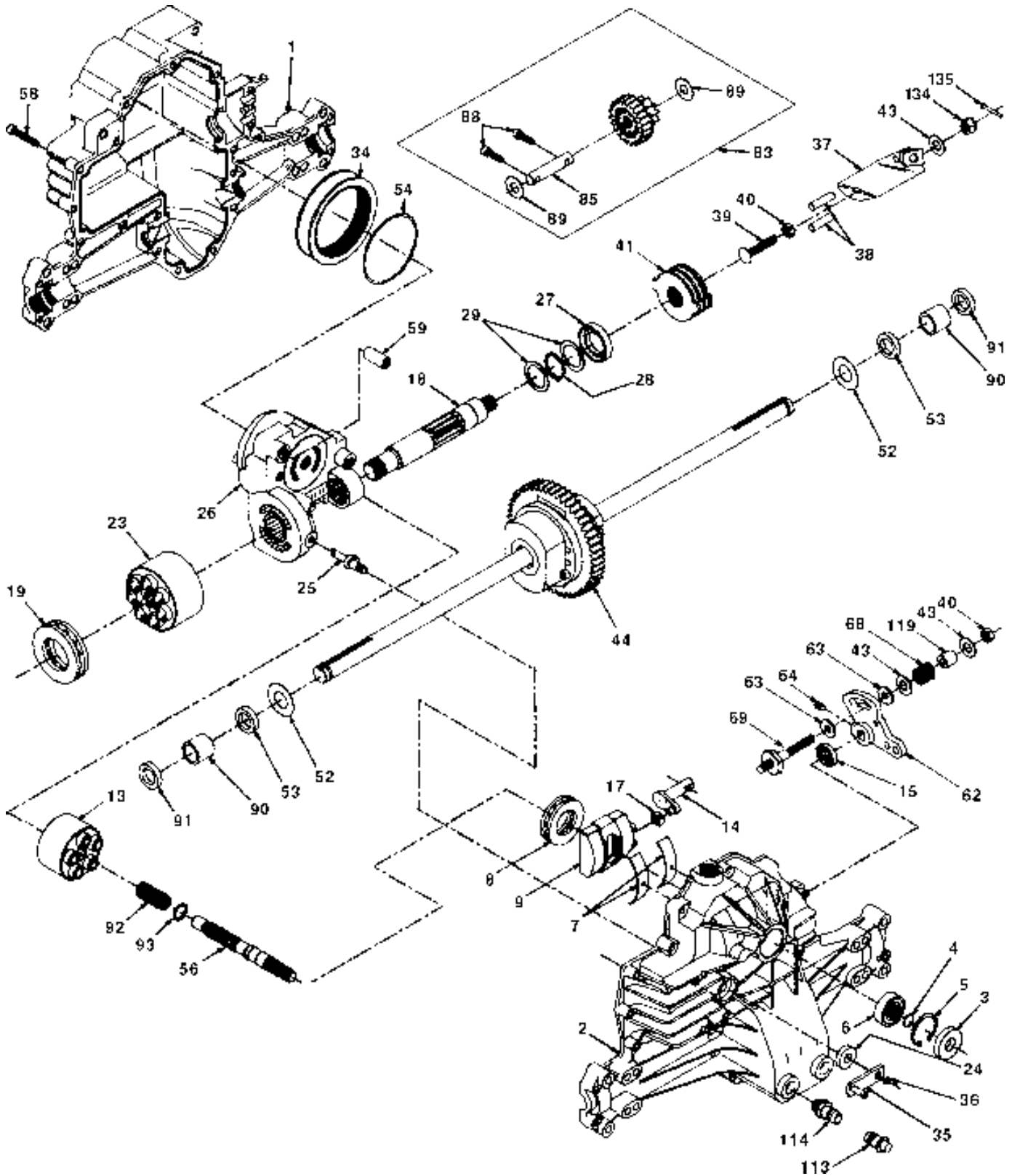
KEY PART NO. NO.	DESCRIPTION
1 532136971	Wire Asm Inner W/plunger 17 32
2 532136968	Shaft Asm Lift 93 RH
3 532138284	Pin Groove 1 500 Zinc
4 812000002	E Ring #5133-62
5 819211621	Washer 21/32 X 1 X 21 Ga
6 532120183	Bearing Nylon Blk 629 Id
7 532125631	Grip Handle Fluted Blk
8 532124526	Button Plunger Black
10 532122512	Spring Cprsn 3 750 Oiled
11 532139865	Link Lift LH
12 532139866	Link Lift RH
13 532124670	Retainer Spring
15 532127218	Link Front
16 873350800	Nut Jam Hex 1/2-13 Unc
17 532130171	Trunnion Blk Zinc
18 873800800	Nut Lock W/wsh 1/2-13unc
19 532139868	Arm Suspension Rear
20 532124660	Retainer Spring
21 819151216	Washer 15/32 X 3/4 X 16 Ga
22 812000037	Ring Klip #t5304-37
23 532110807	Nut Special
24 819131016	Washer 13/32 X 5/8 X 16 Ga
25 532137150	Spring
26 876020308	Pin Cotter 3/32 X 1/2
27 532137167	Rod Adj Lift
28 873350600	Nut Hex Jam 3/8-16 Unc
29 532138057	Knob Inf 3/8-16 Unc Blk W/sym
30 532110810	Trunnion Dp Stop Dbl Thds PLT
31 532140302	Bearing pvt. Lift Sphencal
32 873540600	Nut Crownlock 3/8-24
35 532120529	Washer Nylon .44 x .75 x 032
36 532138346	Pointer pnt height ind.
37 532123935	Plug hole Blk 1.485/1.515 Dia
38 817490512	Screw Thdrol 5/16-18 x 3/4 Tyt
40 819112410	Washer 11/32 x 1-1/2 10 Ga
41 532123934	Scale Ind. Hieght Black

NOTE: All component dimensions given in U.S. inches
1 inch = 25.4 mm

REPAIR PARTS

TRACTOR - - MODEL NO. LTH140 (954001192B)

HYDRO-GEAR TRANSAXLE - MODEL NO. 310-0750



REPAIR PARTS

TRACTOR - - MODEL NO. LTH140 (954001192B)

HYDRO-GEAR TRANSAXLE - MODEL NO. 310-0750

KEY PART NO. NO.	DESCRIPTION	KEY PART NO. NO.	DESCRIPTION
1 532142930	Housing, Lower	43 532142884	Washer 7/16 x 7/8 x .060
2 532142931	Assembly, Upper Housing	44 532142959	Differential Assembly
3 532142932	Seal, Lip	52 532142960	Washer 3/4 x 1.5 x .03
4 532142928	Ring, Wire Retaining	53 532142961	Seal .75 x 1.25 x .250
5 532142933	Ring, Retaining	54 532142962	O-Ring .103 x 2.987 ID
6 532142934	Bearing, Shaft Ball	56 532142963	Shaft, Input
7 532142935	Bearing, Cradle	58 532142964	Bolt 1/4-20 x 1.38
8 532142936	Bearing, Thrust 30 x 52 x 13	59 532142965	Pin .5 OD x .43 ID x .750
9 532142937	Swashplate, Variable	62 532142966	Arm, Control
13 532142938	Block, Cylinder Assembly	63 532142967	Puck, Dampener
14 532142939	Arm, Trunnion	64 532142920	Set Screw
15 532142940	Seal, Lip	68 532142969	Spring
17 532142941	Guide, Slot	69 532144610	Stud 5/16-24
18 532142942	Shaft, Motor	83 532142971	Jack Shaft Assembly
19 532142943	Bearing, Thrust 42 x 68 x 16	85 532142972	Jack Shaft
23 532142944	Block, Cylinder Assembly	88 532142973	Capscrew
24 532142945	Seal, Lip 10 x 25 x 7	89 532142974	Washer
25 532142946	Actuator, Bypass	90 532142975	Sleeve Bearing
26 532142947	Center Section Assembly Kit	91 532142976	Seal, Wiper
27 532142948	Seal, Lip 26 x 42 x 8	92 532142977	Spring, Block
28 532142949	Ring, Retaining	93 532142978	Washer, Block Thrust
29 532142950	Washer 26 x 35 x 1	113 532142917	Cap, Vent Assembly
34 532142951	Oil Filter Element	114 532142918	Fitting, O-Ring Assembly
35 532142952	Arm, Bypass	119 532142980	Spacer
36 532142953	Ring, Retaining	134 532144607	Nut, Castle 5/16-24
37 532142954	Arm, Actuating	135 532144608	Pin, Cotter
38 532142955	Pin, Actuating		
39 532142956	Bolt 5/16-24 x 1-3/4		
40 532142957	Locknut, Hex 5/16-24 UNJC		
41 532142958	Brake Rotor/Stator Kit		

NOTE: All component dimensions given in U.S. inches
1 inch = 25.4 mm