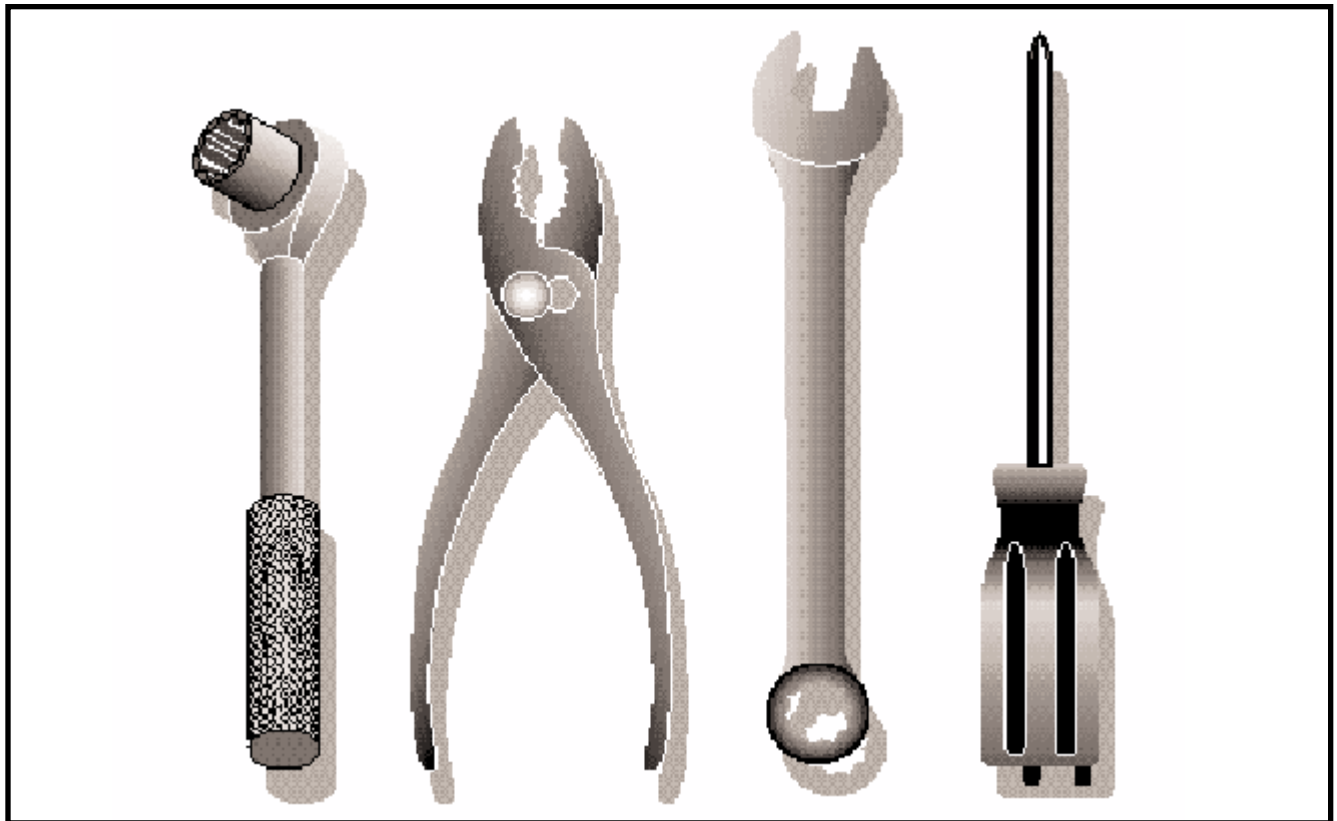




Illustrated Parts List	1994-01
	19402026

LTH 125

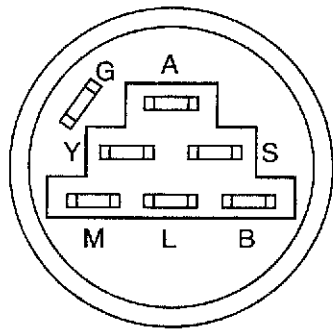
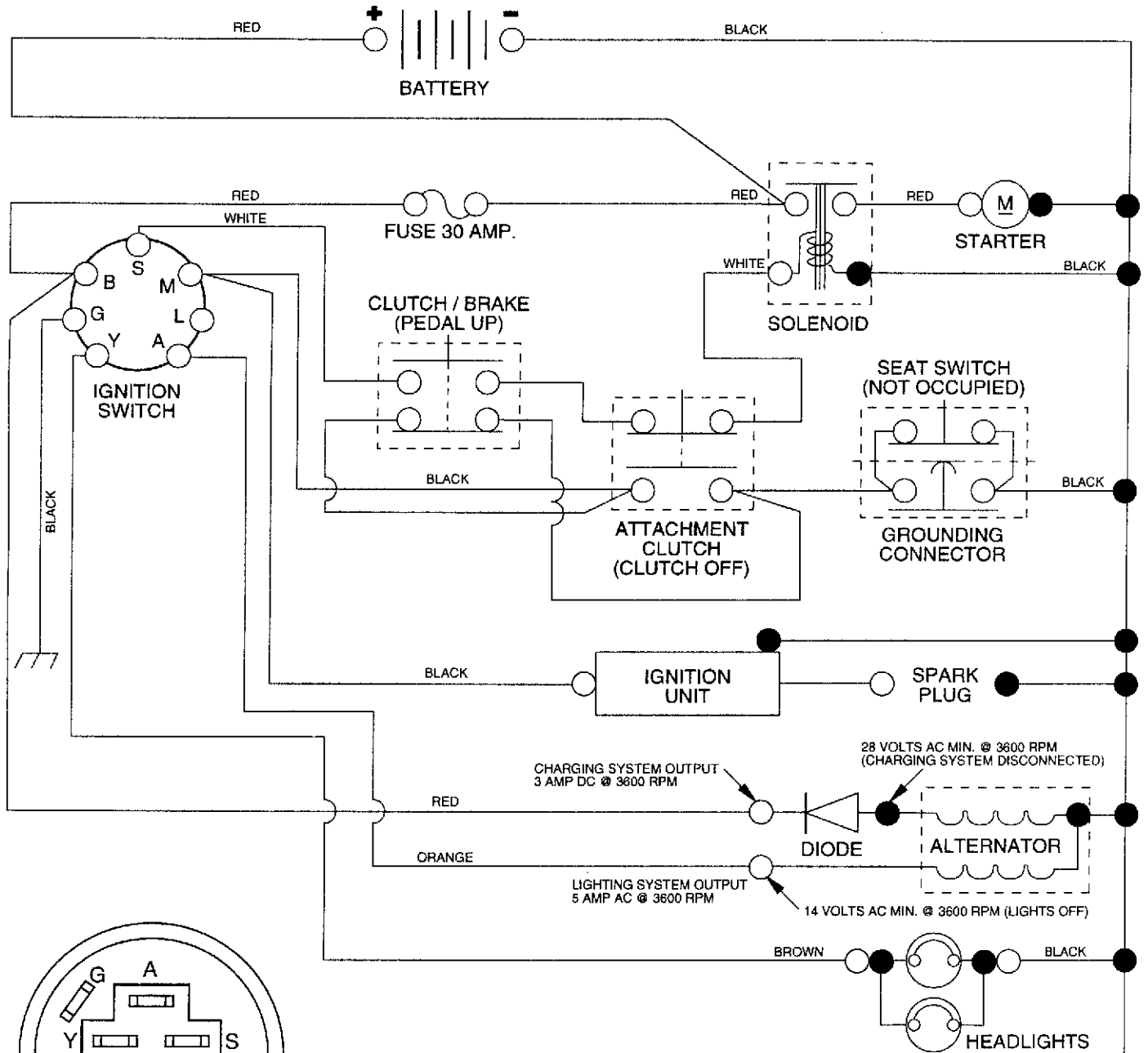
(HC125H42A), 954000782



Repair Parts Manual

Ride Mower

SCHEMATIC



IGNITION SWITCH

POSITION	CIRCUIT	"MAKE"
OFF	G + M + L	NONE
RUN/LIGHT	B + L	A + Y
RUN	B + L	NONE
START	B + L + S	NONE

- NON-REMOVABLE CONNECTIONS
- REMOVABLE CONNECTIONS

WIRING INSULATED CLIPS

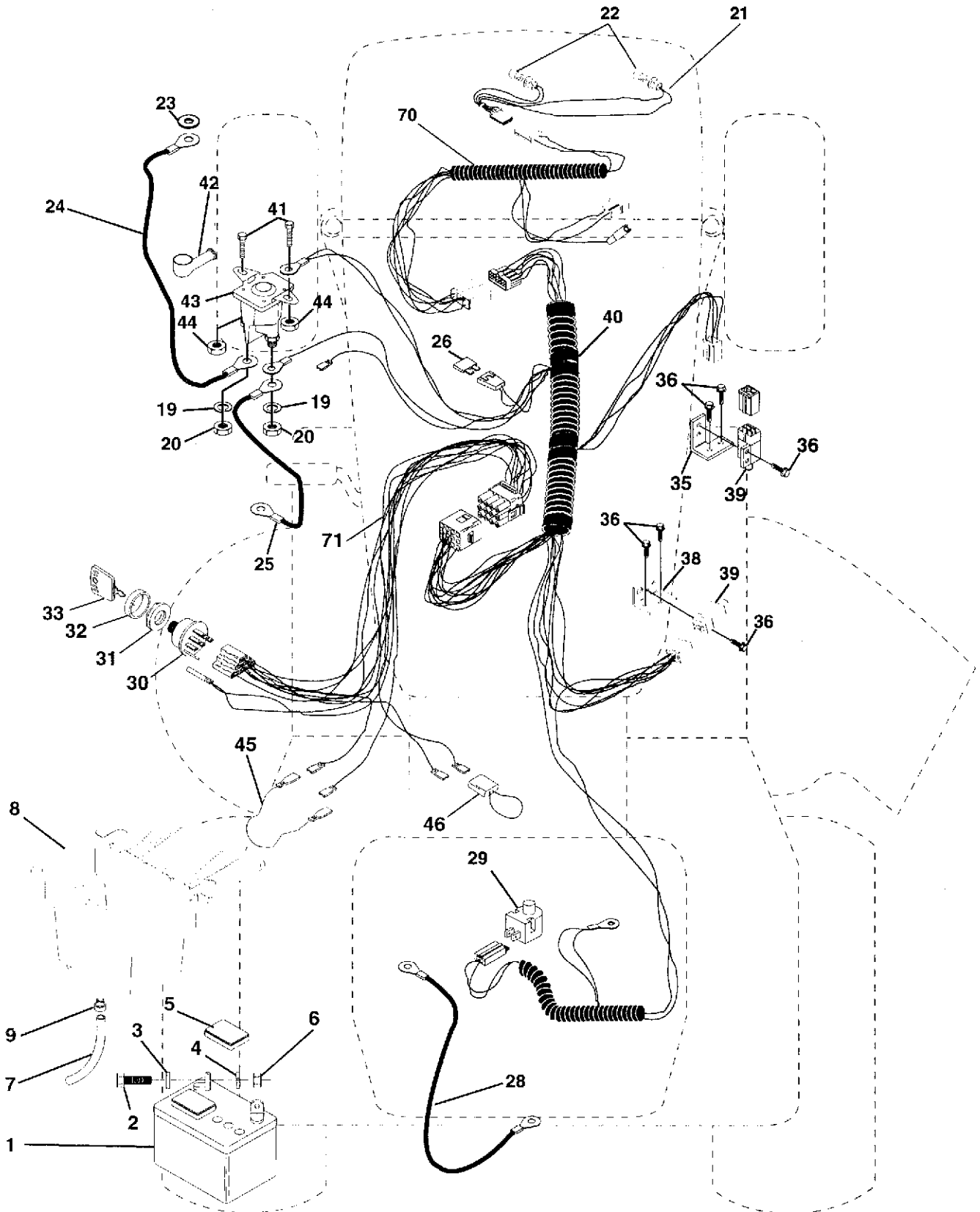
NOTE: IF WIRING INSULATED CLIPS WERE REMOVED FOR SERVICING OF UNIT, THEY SHOULD BE REPLACED TO PROPERLY SECURE YOUR WIRING

NOTE

YOUR TRACTOR IS EQUIPPED WITH A SPECIAL ALTERNATOR SYSTEM. THE LIGHTS ARE NOT CONNECTED TO THE BATTERY, BUT HAVE THEIR OWN ELECTRICAL SOURCE. BECAUSE OF THIS, THE BRIGHTNESS OF THE LIGHTS WILL CHANGE WITH ENGINE SPEED. AT IDLE THE LIGHTS WILL DIM. AS THE ENGINE IS SPEEDED UP, THE LIGHTS WILL BECOME THEIR BRIGHTEST.

**12.5 HP 42" TRACTOR- -MODEL NO. LTH125 (HC125H42A),
PRODUCT NO. 954 00 07-82**

ELECTRICAL



**12.5 HP 42" TRACTOR--MODEL NO. LTH125 (HC125H42A),
 PRODUCT NO. 954 00 07-82**

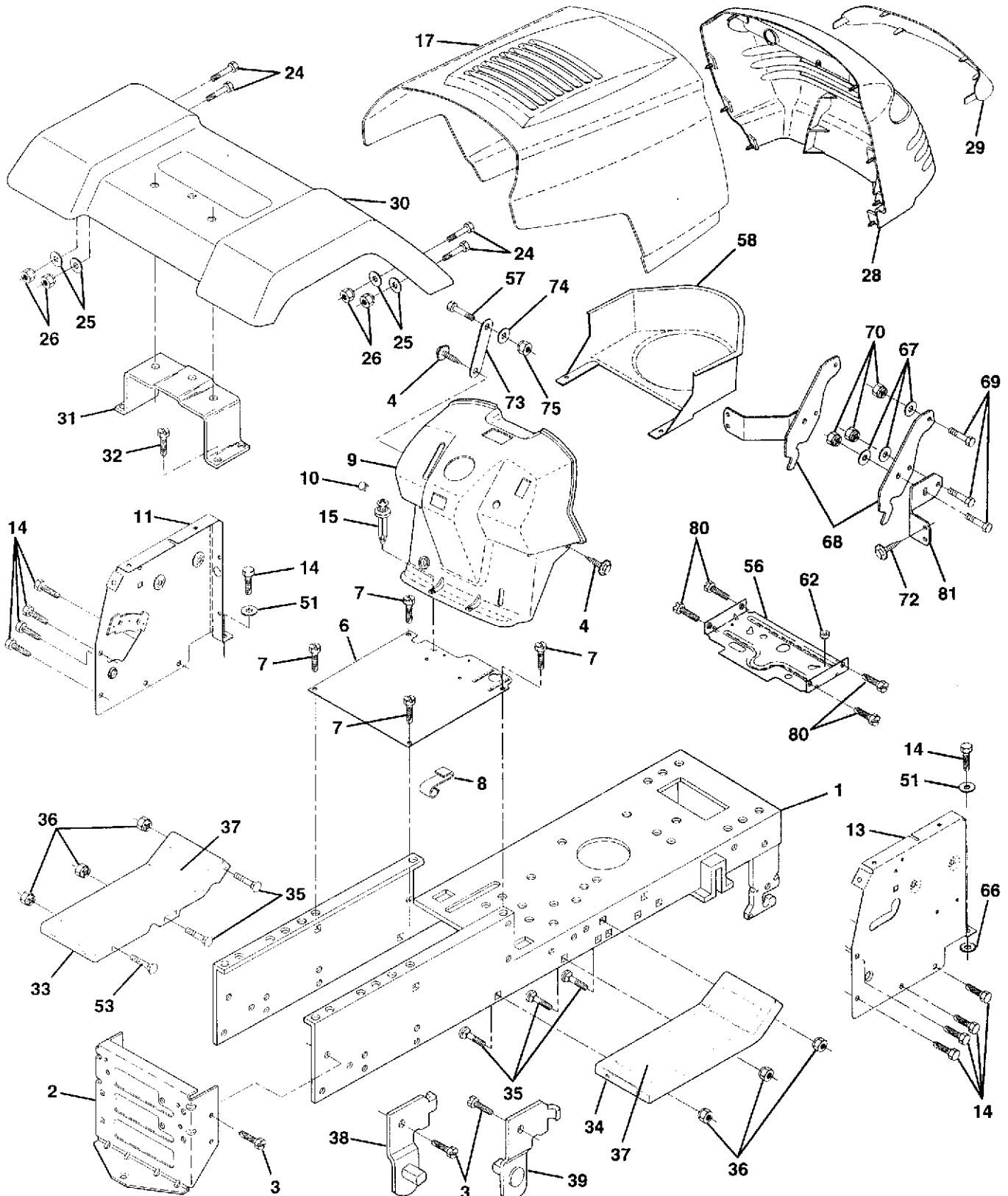
ELECTRICAL

KEY NO.	PART NO.	DESCRIPTION
1	532121265	Battery 12 Volt 25 Amp
2	874760412	Bolt Hex Hd 1/4-20unc X 3/4
3	819091016	Washer 9/32 X 5/8 X 16 Ga
4	810040400	Washer Lock Hvy Helical 1/4
5	532121264	Caps Battery 20/25/30 AMP
6	873220400	Nut Fin Hex 1/4-20 Unc
7	532109238	Tube Plastic 20"
8	532129965	Battery Case Hng Mech
9	532109596	Clamp Hose Olive
19	810090400	Washer Lock 1/4
20	873350400	Nut Jam Hex 1/4-20 Unc
21	532136850	Harness Asm Light W/4152j
22	532004152	Bulb Light #1156
23	811150400	Washer Lock Internal Tooth 1/4
24	532124780	Cable Battery 6 Ga 11"red
25	532132202	Cable Battery 6 Ga 43"red
26	532108824	Fuse 30 AMP Auto Green
28	532124773	Cable Ground 6 Ga 12"black
29	532121305	Switch Plunger Nc Gray
30	532140301	Switch Ign 4 Pos.
31	532124211	Nut Ignition
32	532141226	Cover Sw Key Blk 1 25 Text SLT
33	532122147	Key Ign
35	532140336	Bracket Switch Interlock
36	817021008	Screw Tap Hex #10-24unc X 1/2
38	532108236	Bracket Switch Clutch
39	532109553	Switch Intlk Clutch Gry 4 Term
40	532140707	Harness Ign Lt Mech Dash
41	871110408	Bolt Fin Hex 1/4-20 x 1/2
42	532131563	Cover Terminal Red
43	532138406	Solenoid
44	873640400	Nut Keps Hex 1/4-20 Unc
45	532140844	Adapter Ammeter rectangular
46	532141940	Protection Wire Loop (Hourmeter)
70	532141163	Harness Eng. B&S
71	532140710	Harness Dash Lt Private Label

NOTE: All component dimensions given in U.S. inches.
 1 inch = 25.4 mm

**12.5 HP 42" TRACTOR- -MODEL NO. LTH125 (HC125H42A),
PRODUCT NO. 954 00 07-82**

CHASSIS AND ENCLOSURES



12.5 HP 42" TRACTOR- -MODEL NO. LTH125 (HC125H42A),

PRODUCT NO. 954 00 07-82

CHASSIS AND ENCLOSURES

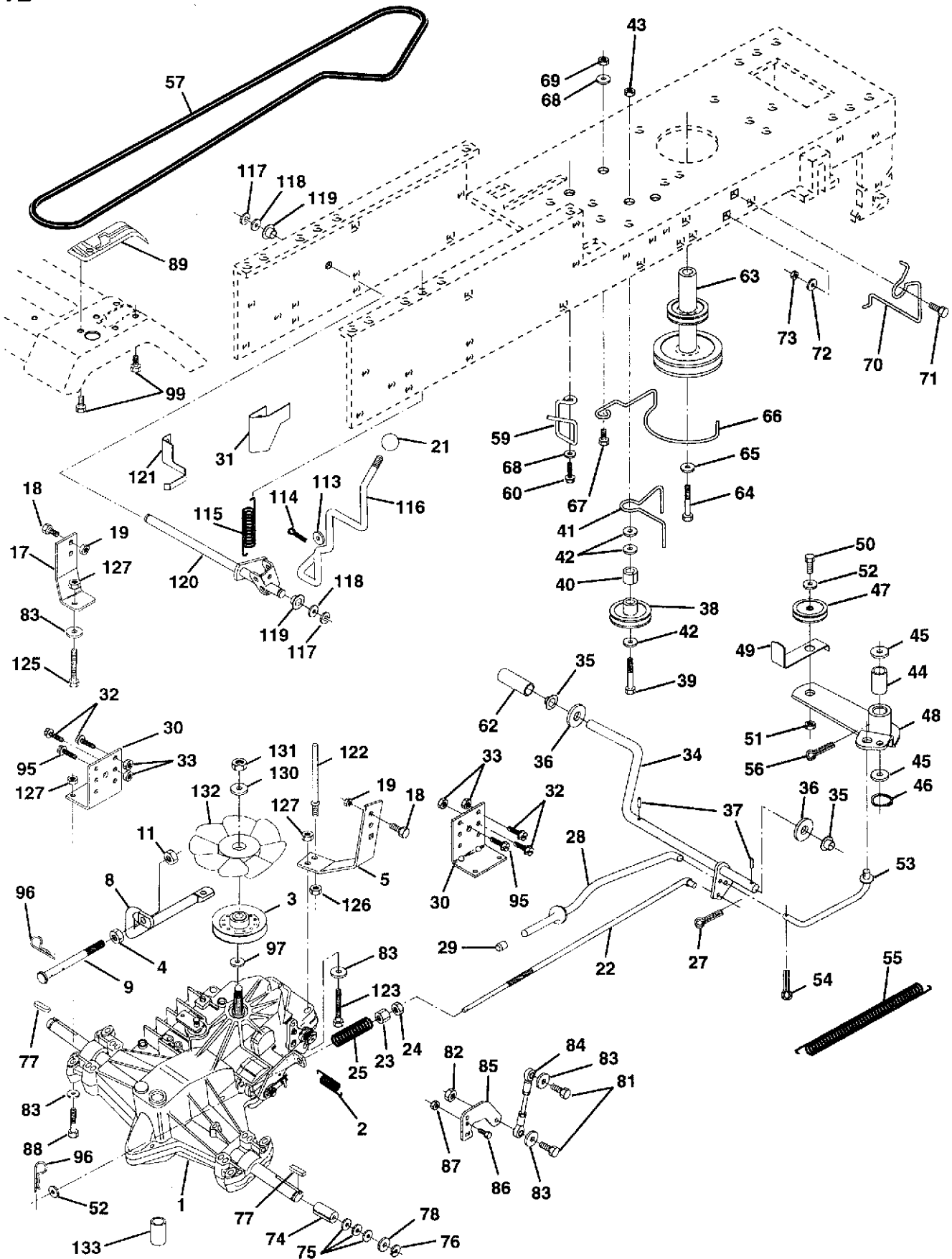
KEY NO.	PART NO.	DESCRIPTION
1	532140341	Chassis Weldment 11ga
2	532140356	Drawbar, Stretch
3	817490612	Screw Thdrol 3/8-16x3/4 Ty-tt
4	817490412	Screw Hexwsh. Thdrol 1/4-20 x 3/4
6	532140169	Saddle LT Fender Shift
7	817490612	Screw Thdrol 3/8-16x3/4 Ty-tt
8	532002751	Clip Line Fuel 13/32 Mtg Hole
9	532140072	Dash Private Label
10	532005479	Plug Button
11	532140311	Panel Pnt Dash Lh
13	532140178	Panel Dash Rh Weldment
14	817490608	Screw Thdrol 3/8-16x1/2 Ty-tt
15	532138096	Rivet Push
17	532144320	Hood Paint Steel Private Label
24	874780616	Bolt Fin Hex 3/8-16unc X1
25	819131312	Washer 13/32 X 13/16 X 12 Ga
26	873800600	Nut Lock 3/8-16 Unc
28	532142552	Grille Private Label
29	532140273	Lens Grille Private Label
30	532143050	Fender Pnt
31	532136619	Bracket Pnt Fender
32	817490612	Screw Thdrol 3/8-16x3/4 Ty-tt
33	532124899	Footrest Pnt Lh
34	532124914	Footrest Pnt Rh
35	872110606	Bolt Rdhd Sht Sqnk 3/8-16 X3/4
36	873680600	Nut Crownlock 3/8-16 Unc
37	532133671	Pad Footrest
38	532139886	Bracket, Asm. Pivot, L.H., Mower Rear
39	532139887	Bracket, Asm. Pivot, R.H., Mower Rear
51	819131216	Washer 13/32 x 3/4 x 16 Ga.
53	872140608	Bolt Carriage 3/8-16 x 1
56	532140281	Support Battery
57	874780412	Screw Hex 1/4-20 x 3/4
58	532140806	Air Duct P/L
62	532124028	Bushing
66	811050600	Washer Lock Ext. Tooth 3/8
67	819091416	Washer 9/32 x 7/8 x 16 Ga.
68	532140219	Hinge Pickoff Hood
69	874760412	Bolt Hex Hd 1/4-20
70	873680400	Nut, Crownlock 1/4-20
72	817030814	Screw Lock Spider #8 x 7/8
73	532142779	Brace
74	819091416	Washer 9/32 x 7/8 x 16 Ga.
75	873800400	Nut Lock Hex W/Ins 1/4-20
80	817490512	Screw Thdrol 5/16-18 X3/4
81	532143007	Bracket, Grill

NOTE: All component dimensions given in U.S. inches.
 1 inch = 25.4 mm

12.5 HP 42" TRACTOR- -MODEL NO. LTH125 (HC125H42A),

PRODUCT NO. 954 00 07-82

DRIVE



12.5 HP 42" TRACTOR- -MODEL NO. LTH125 (HC125H42A),

PRODUCT NO. 954 00 07-82

DRIVE

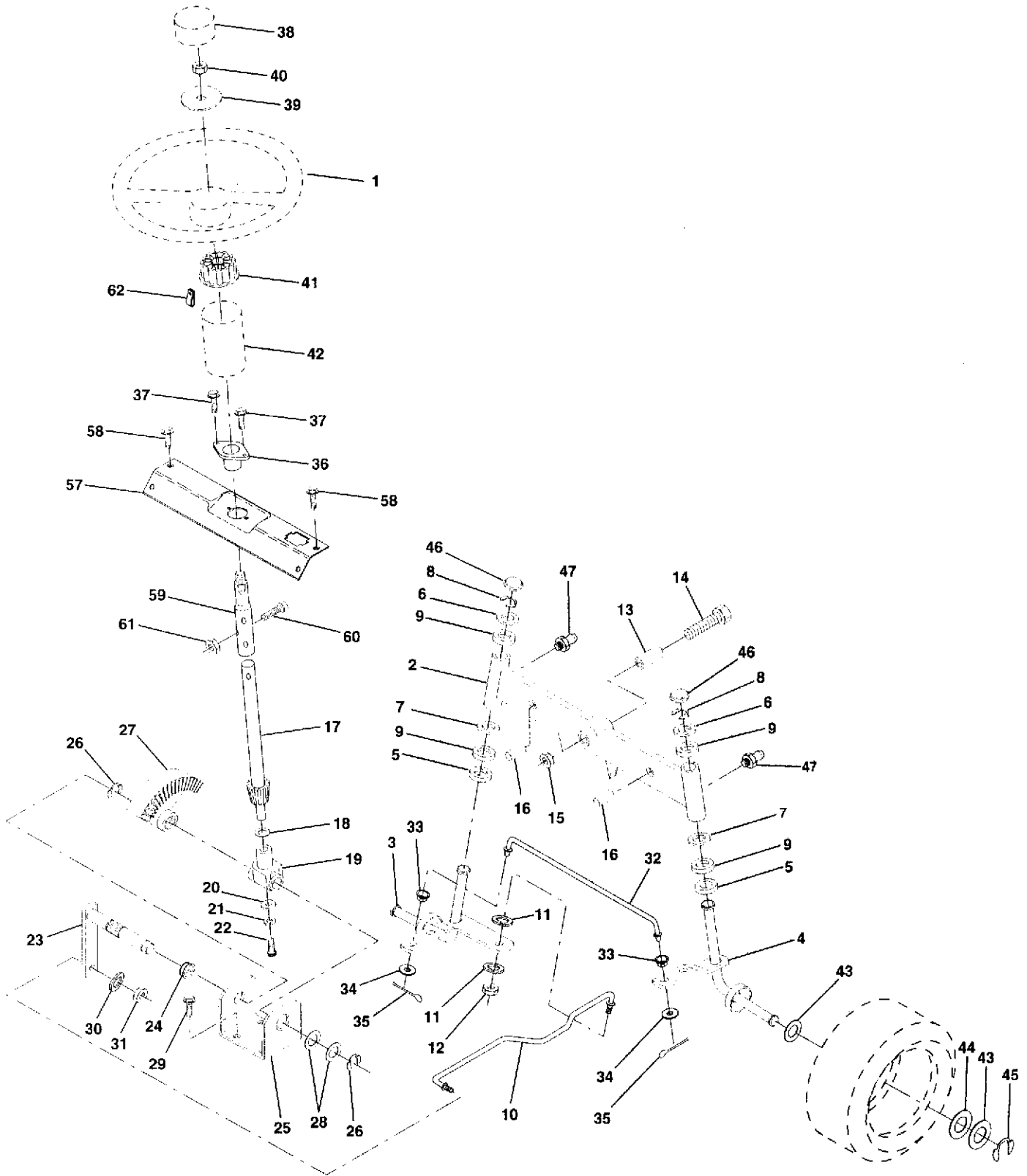
KEY NO.	PART NO.	DESCRIPTION	KEY NO.	PART NO.	DESCRIPTION
1	532140295	Transaxle Assembly	63	532140186	Pulley, Engine
2	532142431	Spring, Return, Brake	64	871170764	Bolt, Hex
3	532140293	Pulley, Transaxle	65	810040700	Washer
4	873350500	Nut Hex Jam 5/16-18 Unc	66	532129221	Keeper Belt Engine
5	532140157	Strap Torque Rh Hydro 18/20" T	67	874760616	Bolt
8	532141343	Control Bypass Hydro 18" Tires	68	819131312	Washer 13/32 x 13/16 x 12 Gauge
9	532140550	Rod Bypass Hydro 18/20"	69	873680600	Nut
11	873800500	Nut Lock Hex W/Ins 5/16-18 Unc P	70	532134683	Keeper Belt Engine
17	532140158	Strap Torque Lh Hydro 18/20" T	71	874760616	Bolt Hex 3/8-16 x 1
18	874780616	Bolt Fin Hex 3/8-16 Unc x 1 Gr. 5	72	819132012	Washer 13/32 x 1-1/4 x 12 Gauge
19	873800600	Nut Lock Hex W/Wsh 3/8-16 Unc	73	873680600	Nut Crownlock 3/8-16
21	532140845	Knob 1/2-13	74	532121199	Spacer, Split
22	532140217	Rod, Brake Hydro	75	532121749	Washer 25/32 x 1-1/4 x 16 Gauge
23	873350600	Nut	76	812000001	E-Ring
24	873800600	Locknut	77	532123583	Key, Square
25	532106888	Spring, Brake Rod	78	532121748	Washer 25/32 x 1-5/8 x 16 Gauge
27	876020412	Pin Cotter 1/8 x 3/4 CAD.	81	874780520	Bolt Fin Hex 5/16-18 Unc x 1-1/4
28	532140448	Rod, Parking Brake	82	873800500	Nut Lock Hex W/Ins. 5/16-18 Unc P
29	532071673	Cap, Parking Brake	83	819111216	Washer 11/32 x 3/4 x 16 Ga.
30	532130807	Bracket, Transaxle	84	532141392	Rod, Tie Hydro 18" Tires
31	532127275	Keeper Belt Lh	85	532140156	Arm, Control Hydro
32	874760512	Bolt Hex Hd 5/16-18 Unc x 3/4	86	871070516	Screw Cap Hex 5/16 x 18 x 1
33	873800500	Nut Lock Hex W/Ins. 5/16-18 Unc	87	873800500	Nut Lock Hex W/Ins. 5/16-18 Unc P
34	532122424	Shaft, Foot Pedal	88	874780544	Bolt Fin Hex 5/16-18 Unc
35	532120183	Bearing, Nylon	89	532139988	Console, Shift
36	819211616	Washer	95	817490612	Screw, Thdroll. 3/8-16 x 1 Type TT
37	532124963	Pin, Roll	96	532124788	Retainer Spring 1" Zinc/Cad
38	532123674	Pulley, Idler, Flat	97	819211616	Washer 21/32 x 1 x 16 Ga.
39	874760644	Bolt	99	532142432	Screw
40	532124965	Spacer, Split	113	819171216	Washer 17/32 x 3/4 x 16 Ga.
41	532109070	Keeper, Belt Retainer	114	876020416	Pin Cotter 1/8 x 1 CAD
42	819131312	Washer 13/32 x 13/16 x 12 Gauge	115	532123782	Spring Torsion T/A
43	873800600	Nut	116	532141003	Rod Shift Hydro LT
44	532105706	Bearing, Nylon	117	812000008	Ring Klip #5304-62
45	532110812	Washer, Hardened	118	819212016	Washer 21/32 x 1-1/4 x 16 Ga.
46	812000039	Ring, Klip	119	532071208	Bushing Rod Strig. 629/632 ID
47	532127783	Pulley, Idler, V-Groove	120	532140154	Shaft Asm. Cross Hydro 20" Tires
48	532123789	Bellcrank Assembly	121	532140470	Keeper Belt Lh Hydro 0750. 18/20"
49	532123205	Retainer, Belt	122	532140469	Keeper Belt Rh Hydro 0750. 18/20"
50	874760624	Bolt	123	874780536	Bolt Fin Hex 5/16-18 x 2-1/4
51	873680600	Nut	125	874780524	Bolt Fin Hex 5/6-18 Unc x 1-1/2
52	819131316	Washer	126	873510600	Nut Keps Hex 3/8-16 Unc
53	532105710	Link, Clutch	127	873800500	Nut Lock Hex W/Ins 5/16-18 Unc P
54	876020412	Pin	130	532141322	Washer Belville .501D x 1.50D
55	532105709	Spring, Return, Clutch	131	532050831	Nut Nylon Insert 1/2-20 Unf.
56	876020412	Pin	132	532140462	Fan, Hydro 7"
57	532140294	V-Belt, Ground Drive	133	532142564	Line Fuel Hydro 4"
59	532140312	Keeper, Center Span			
60	817490612	Screw Thdrol. 3/8-16 x 3/4 Ty. TT			
62	532008883	Cover, Pedal			

NOTE: All component dimensions give in U.S. inches.
 1 inch = 25.4 mm.

12.5 HP 42" TRACTOR- -MODEL NO. LTH125 (HC125H42A),

PRODUCT NO. 954 00 07-82

STEERING AND FRONT AXLE



**12.5 HP 42" TRACTOR- -MODEL NO. LTH125 (HC125H42A),
 PRODUCT NO. 954 00 07-82**

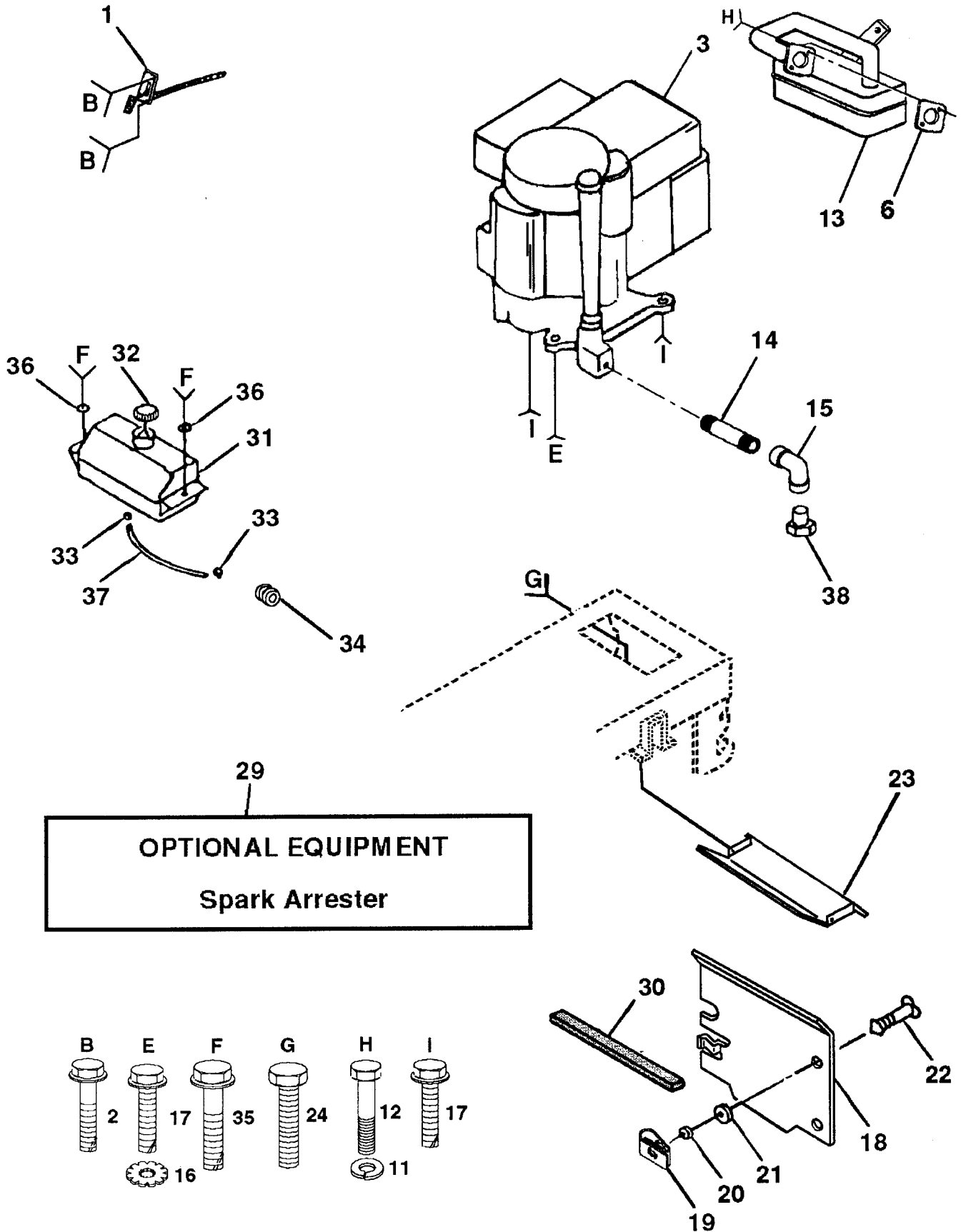
STEERING AND FRONT AXLE

KEY NO.	PART NO.	DESCRIPTION	KEY NO.	PART NO.	DESCRIPTION
1	532121472	Wheel Steering Auto Black	29	817490612	Screw Thdrol 3/8-16x3/4 Ty-tt
2	532142033	Axle Asm Fr LT W/gzks 38/42	30	810040600	Washer Lock Hvy Hlcl Spr 3/8
3	532135227	Spindle Asm LH	31	873610600	Nut Fin Hex 3/8-24 Unf
4	532135228	Spindle Asm RH	32	532130465	Rod Tie Wire Form 19 75 Mech
5	532124931	Bearing Race Thrust Harden	33	532126847	Bushing Link Drag Blk LR
6	532121748	Washer 25/32 X 1-5/8 X 16ga	34	819131416	Washer 13/32 X 7/8 X 16ga
7	819272016	Washer 27/32 X 1-1/4 X 16 Ga	35	876020412	Pin Cotter 1/8 X 3/4 Cad
8	812000029	Ring Klip #t5304-75	36	532102803	Bushing Strg
9	532124937	Bearing Col Strg Blk	37	817431008	Screw Slftp #10-16 X 1/2 Ty-b
10	532130468	Link Drag Sol Ball Jt 20 064	38	532126805	Insert Cap Strg Wh Au Gen Blk
11	810040600	Washer Lock Hvy Hlcl Spr 3/8	39	819133808	Washer 13/32 X 2-3/8 X 8 Ga
12	873610600	Nut Fin Hex 3/8-24 Unf	40	532124701	Nut Lock Center 3/8-24unf
13	532110438	Spacer Bearing Axle Front	41	532104820	Adaptor Wheel Strg 640/ 635id
14	874011056	Bolt Hex 5/8-11 Unc X 3-1/2	42	532140216	Boot Shaft Steering
15	873901000	Nut Lock Flange 5/8-11 Unc	43	532121749	Washer 25/32 X 1 1/4 X 16 Ga
16	532132624	Pin Axle 5/8 X 1 55/1 54 Lg	44	532121748	Washer 25/32 X 1-5/8 X 16ga
17	532140176	Shaft Asm Strg Private Label	45	812000029	Ring Klip #t5304-75
18	532057079	Washer Thrust 515x 750x 033	46	532121232	Cap Spindle Fr Top Blk
19	532124035	Support Shaft	47	532124836	Fitting Grease
20	532126684	Washer Shim 1/4 X 5/8 X 062	57	532140172	Support Shaft Steering
21	810040400	Washer Lock Hvy Helical 1/4	58	817490412	Screw Hex Wsh Thdrol 1/4-20 x 3/4
22	871070410	Screw Hex Socket 1/4-20 X 5/8	59	532140171	Shaft Extension Steering
23	532127501	Shaft Asm Pittman	60	874780520	Bolt Fin Hex 5/16-18 unc x 1-1/4
24	532109816	Nyliner Snap In	61	873800500	Nut Lock Hex w/Insert 5/16-18
25	532124036	Bracket Steering	62	532140285	Clip Tinnerman
26	812000029	Ring Klip #t5304-75			
27	532136874	Gear Sector 22 Teeth			
28	532124931	Bearing Race Thrust Harden			

NOTE: All component dimensions given in U.S. inches.
 1 inch = 25.4 mm

**12.5 HP 42" TRACTOR- -MODEL NO. LTH125 (HC125H42A),
PRODUCT NO. 954 00 07-82**

ENGINE



**12.5 HP 42" TRACTOR- -MODEL NO. LTH125 (HC125H42A),
 PRODUCT NO. 954 00 07-82**

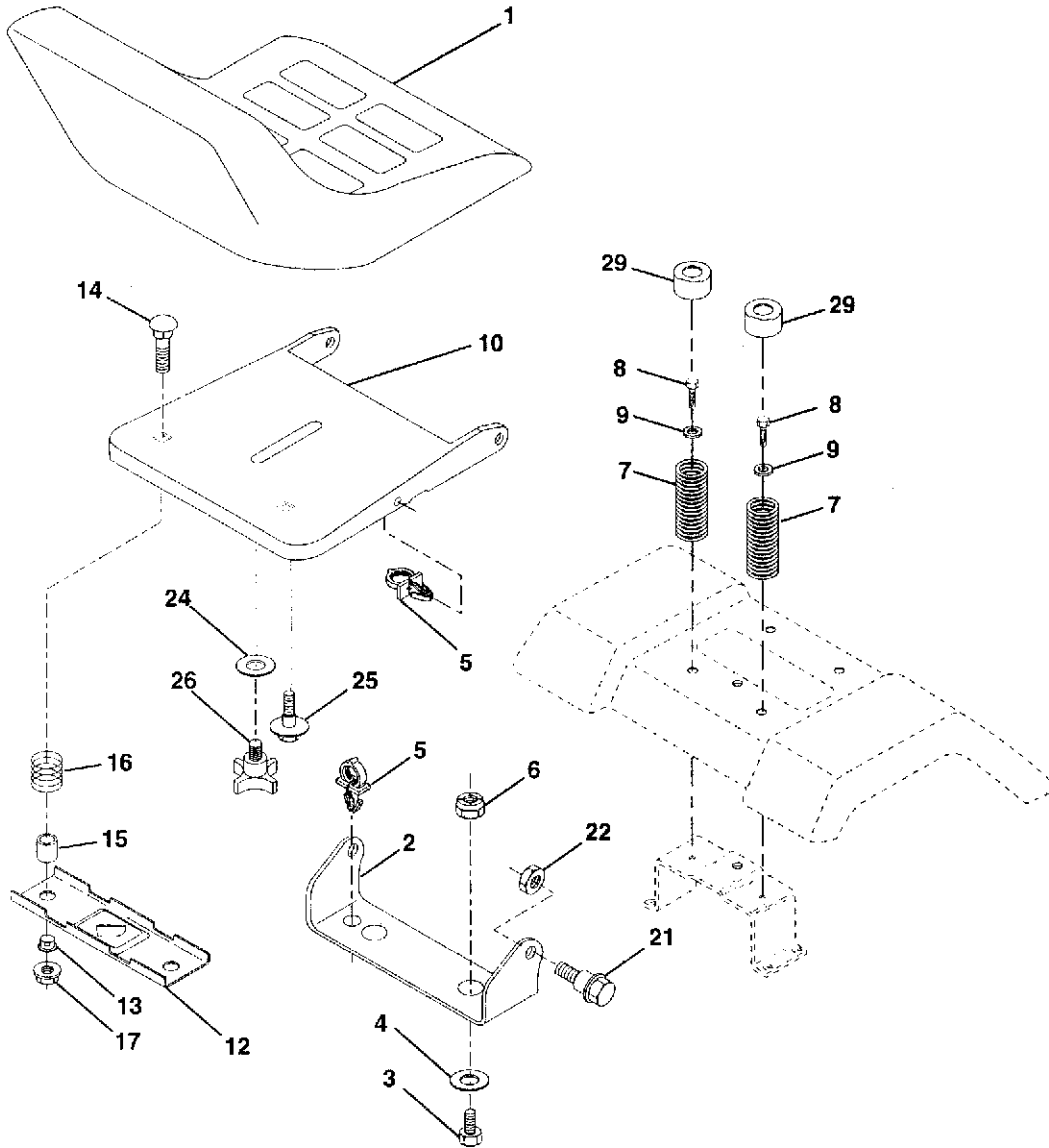
ENGINE

KEY NO.	PART NO.	DESCRIPTION	KEY NO.	PART NO.	DESCRIPTION
1	532140310	Control Th/ch RH Blk Tee Eec	22	532123650	Stud 1/4 Turn (replaces 105751)
2	817720410	Screw Hex Thd Cut 1/4-20x5/8 T	23	532128953	Shield Heat Browning LT/YT
3	-	Engine B&s 12.5HP lcc Dual 1vt Model No 286707	24	817021008	Screw Tap Hex #10-24unc X 1/2
6	532125593	Gasket Eng 1 313 Id Tin Plated	29	532131780	Kit Spark Arrestor 1 25
11	810040500	Washer Lock Hvy Hlcl Spr 5/16	30	532127057	Pinch Weld Hood Black 2.00
12	871070512	Screw Hexhd Cap 5/16-18x3/4	31	532140280	Tank Fuel Front 2.00
13	532137348	Muffler LT B&s 12/12.5 HP	32	532140527	Cap Asm Fuel W/sym Vented
14	813280324	Nipple Pipe 3/8 Npt X 3"	33	532123487	Clamp Hose Blk
15	813200300	Elbow Std 90 Degree 3/8-18 Npt	34	532124028	Bushing Snap Nyl Blk Fuel Line
16	811050600	Washer Lock Ext Tooth 3/8	35	817490412	Screw Hexwsh Thdrol 1/4-20x3/4
17	817490620	Screw Thdrol 3/8-16x1-1/4 TYTT	36	819091416	Washer 9/32 X 7/8 X 16ga
18	532136718	Shield Heat LT	37	532137040	Line Fuel 9 20"
19	532105839	Receptacle 1/4 Turn dacrotized	38	-----	Plug Oil Drain (Order From Engine Manufacturer)
20	532105838	Retainer 1/4 Turn 365 OD x .222 ID			
21	819091016	Washer 9/32 x 5/8 x 16 Ga			

NOTE: All component dimensions given in U.S. inches. 1 inch = 25,4 mm.

**12.5 HP 42" TRACTOR- -MODEL NO. LTH125 (HC125H42A),
 PRODUCT NO. 954 00 07-82**

SEAT



KEY NO.	PART NO.	DESCRIPTION	KEY NO.	PART NO.	DESCRIPTION
1	532127427	Seat V350 Blk/blk Std	15	532134300	Spacer Split 28x 96 Yel Zinc
2	532140551	Bracket Pivot Seat 8 720	16	532121250	Spring Cprsn 1 27 Blk Pnt
3	874760616	Bolt Fin Hex 3/8-16unc X 1	17	532123976	Nut Lock 1/4 Lge Flg Gr 5 Zinc
4	819131610	Washer 13/32 X 3/4 X 10 Ga	21	532139888	Bolt Shoulder 5/16-18 Type T.T.T.R.
5	532140407	Clip Push-In .375 x .250	22	873800500	Nut Lock 5/16-18
6	873800600	Nut Lock Hex w/Ins 3/8-16 Unc	24	819171912	Washer 17/32 X 1-3/16 X 12 Ga
7	532124181	Spring Seat Cprsn 2 250 Blk Zi	25	532127018	Bolt Shoulder 5/16-18 X 62
8	817490616	Screw Thdrol 3/8-16 X 1 Ty-tt	26	532120068	Knob Seat 1/2-13unc Blk
9	819131614	Washer 13/32 X 1 X 14 Ga	29	532124238	Cap Spring Seat Blk 1.75 x 1.0
10	532140552	Pan Seat			
12	532121246	Bracket Mounting Switch			
13	532121248	Bushing Snap Blk Nyl 50 Id			
14	872050411	Bolt Rdhd Sht Nk 1/4-20x1-3/8			

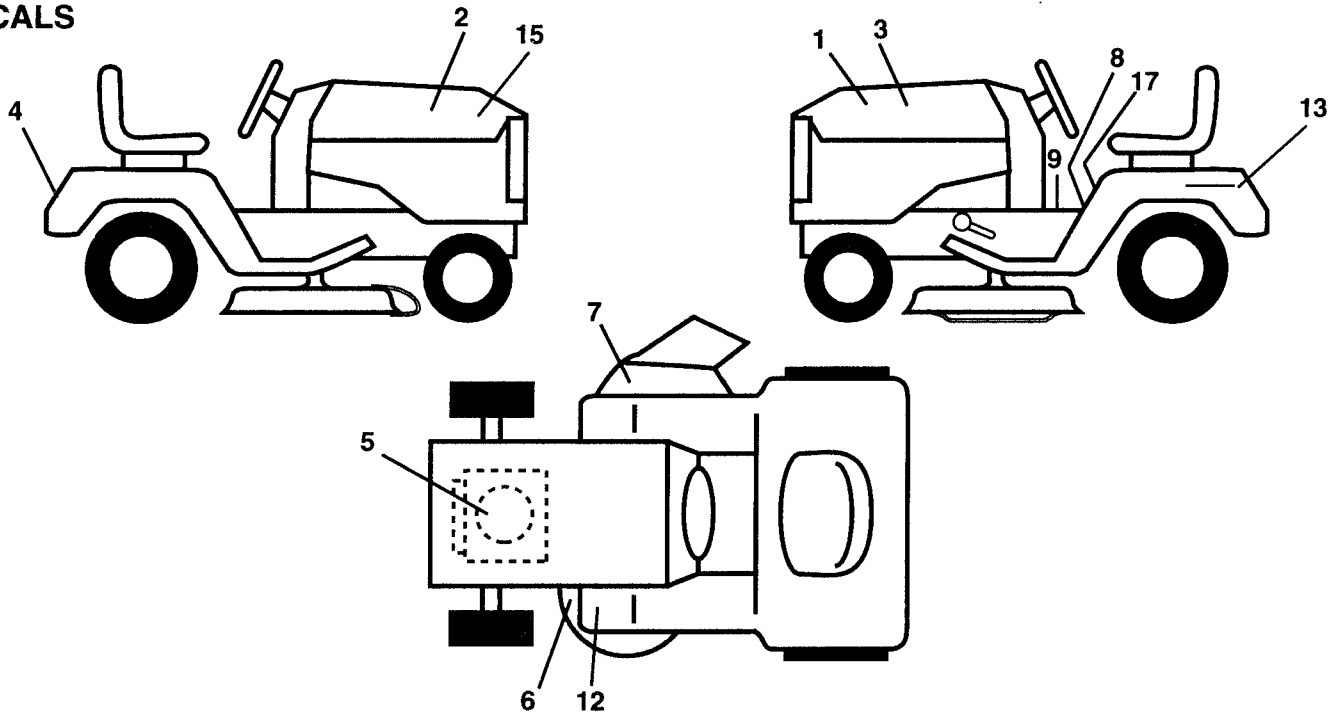
NOTE: All component dimensions given in U.S. inches.
 1 inch = 25.4 mm

For Husqvarna Parts Call 606-678-9623 or 606-561-4983 REPAIR PARTS

12.5 HP 42" TRACTOR- -MODEL NO. LTH125 (HC125H42A),

PRODUCT NO. 954 00 07-82

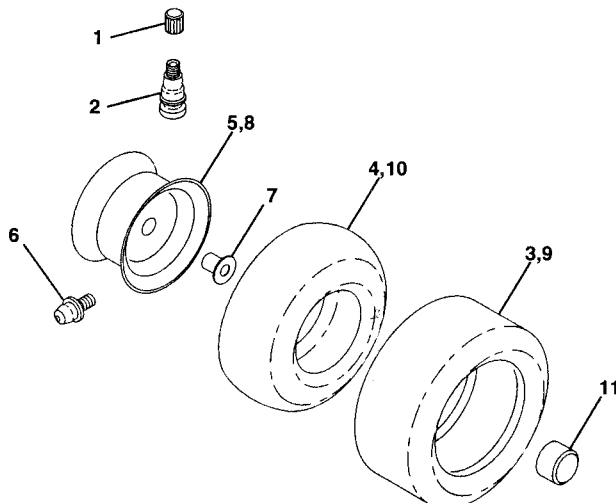
DECALS



KEY NO.	PART NO.	DESCRIPTION	KEY NO.	PART NO.	DESCRIPTION
1	532143609	Decal Hood Slope LH	17	532133795	Decal Caution Fender Eng/Fr
2	532143608	Decal Hood Slope RH	-	532138311	Decal Handle Lift Height Adjust
3	532143742	Decal Panel Side LH	-	532142341	Decal Drawbar Control
4	532131582	Decal Fender	-	532143672	Manual Owner's (English)
5	532129057	Decal Engine 12.5 HP B&S ICQ	-	532143674	Manual Owner's (French)
6	532136830	Decal, V-Belt Sch 38"/42" LT			
7	532137259	Decal Warning MULT-LANGUAGE			
8	532140820	Decal Dash Instructions Operating Eng/Fr			
9	532142337	Decal Sdl Cold Start Hydo Eng/Fr			
12	532101892	Decal Clutch/brake Eng/Fr/Ger/Du			
13	532121549	Decal Caution Battery Fr/Ger			
15	532143741	Decal Panel Side RH Hydr.			

- Available accessories (not included with tractor)
- LA018 Tire Chains (18 x 9.5 x 8)
 - SB20 40" Snow Thrower
 - BD20 42" Snow Blade
 - LC05 33 lb. Wheel Wts. (pair)
 - MP42 Mulching Plate for 42"

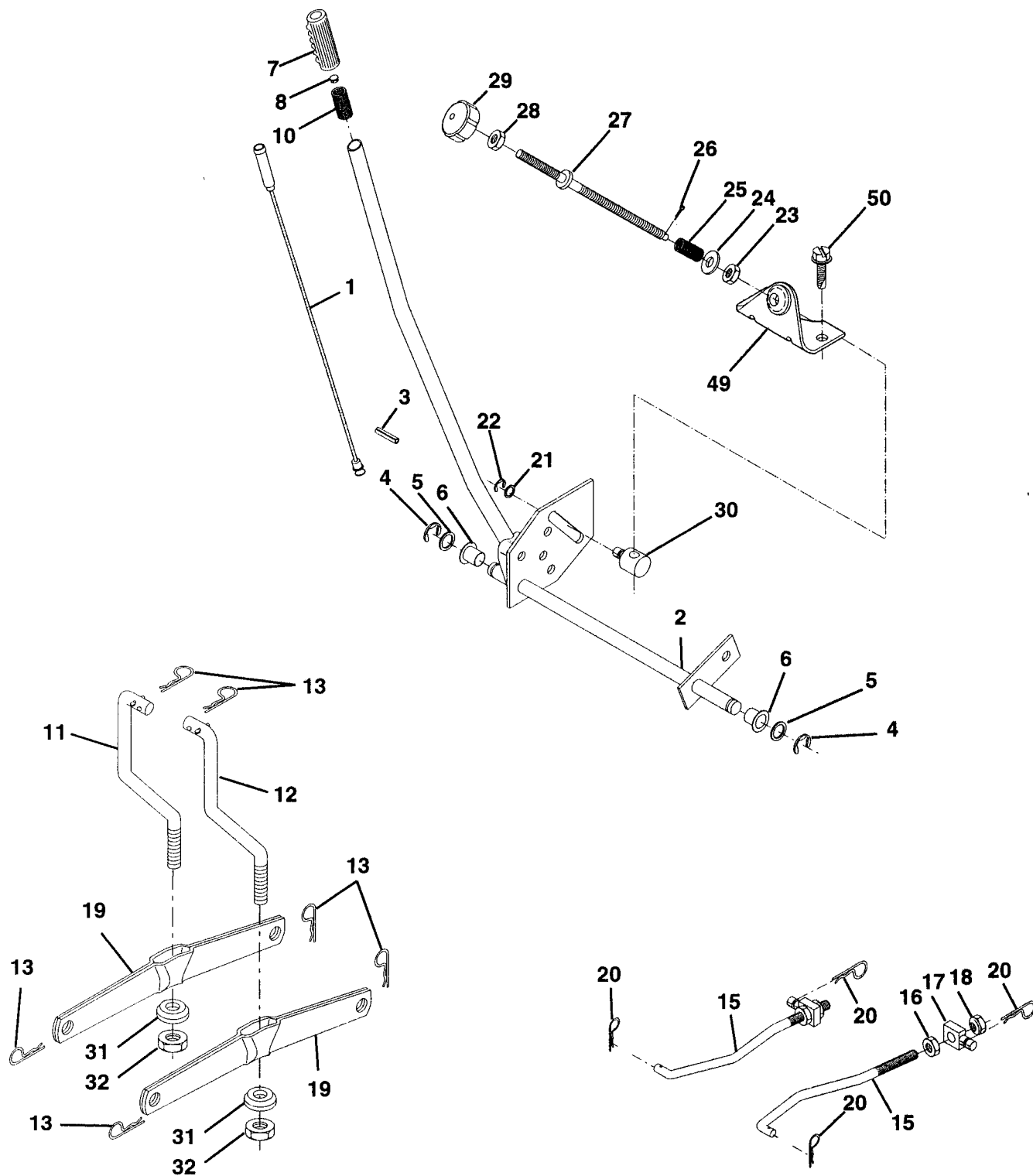
WHEELS AND TIRES



KEY NO.	PART NO.	DESCRIPTION
1	532059192	Cap Valve Tire
2	532065139	Stem Valve
3	532106222	Tire F Ts 15 X 6 0 - 6 Service
4	532059904	Tube Front (Service Item Only)
5	532141446	Rim Asm 6" front Service
6	532124957	Fitting Grease (Front Wheel Only)
7	532124959	Bearing Flange (Service Item Only)
8	532141447	Rim Asm 8" rear Service
9	532106268	Tire R Ts 18x9 5-8 C Service
10	532124926	Tube Rear (Service Item Only)
11	532104757	Cap Axle Blk 1 50 X 1 00

**12.5 HP 42" TRACTOR- -MODEL NO. LTH125 (HC125H42A),
PRODUCT NO. 954 00 07-82**

LIFT



**12.5 HP 42" TRACTOR- -MODEL NO. LTH125 (HC125H42A),
PRODUCT NO. 954 00 07-82**

LIFT

KEY NO.	PART NO.	DESCRIPTION
1	532136973	Wire Asm Inner w/plunger
2	532140278	Shaft Asm Lift LH Inf Hgt P/L
3	532138284	Pin Groove
4	812000002	E Ring #5133-62
5	819211621	Washer PLTD 21/32 X 1 X 21ga
6	532120183	Bearing Nylon Blk 629 Id
7	532109413	Grip Handle Bicycle Matte Blk
8	532124526	Button Plunger Black
10	532122512	Spring Cprsn 3 750 Oiled
11	532139865	Link Lift LH
12	532139866	Link Lift RH
13	532124670	Retainer Spring
15	532127218	Link Front
16	873350800	Nut Jam Hex 1/2-13 Unc
17	532130171	Trunnion Blk Zinc
18	873800800	Nut Lock W/wsh 1/2-13unc
19	532139868	Arm Suspension Rear
20	532124660	Retainer Spring
21	819151216	Washer 15/32 X 3/4 X 16ga
22	812000037	Ring Klip
23	532110807	Nut Special
24	819131016	Washer 13/32 x 5/8 x 16 ga
25	532124874	Spring 2-1/8
26	876020308	Pin Cotter 3/32 x 1/2
27	532126971	Rod Adj Lift
28	873350600	Nut Hex Jam 3/8-16 Unc
29	532138057	Knob Inf 3/8-16 UNC
30	532110810	Trunnion Dp Stop
31	532140302	Bearing Pivot Lift Spherical
32	873810600	Nut Lock 3/8-24 w/nylon Insert
49	532140168	Bracket Stop Inf Hgt
50	817490608	Screw Thdrol 3/8-16 x 1/2

NOTE: All component dimensions given in U.S. inches
1 inch = 25.4 mm

12.5 HP 42" TRACTOR- -MODEL NO. LTH125 (HC125H42A),

PRODUCT NO. 954 00 07-82

42" MOWER DECK

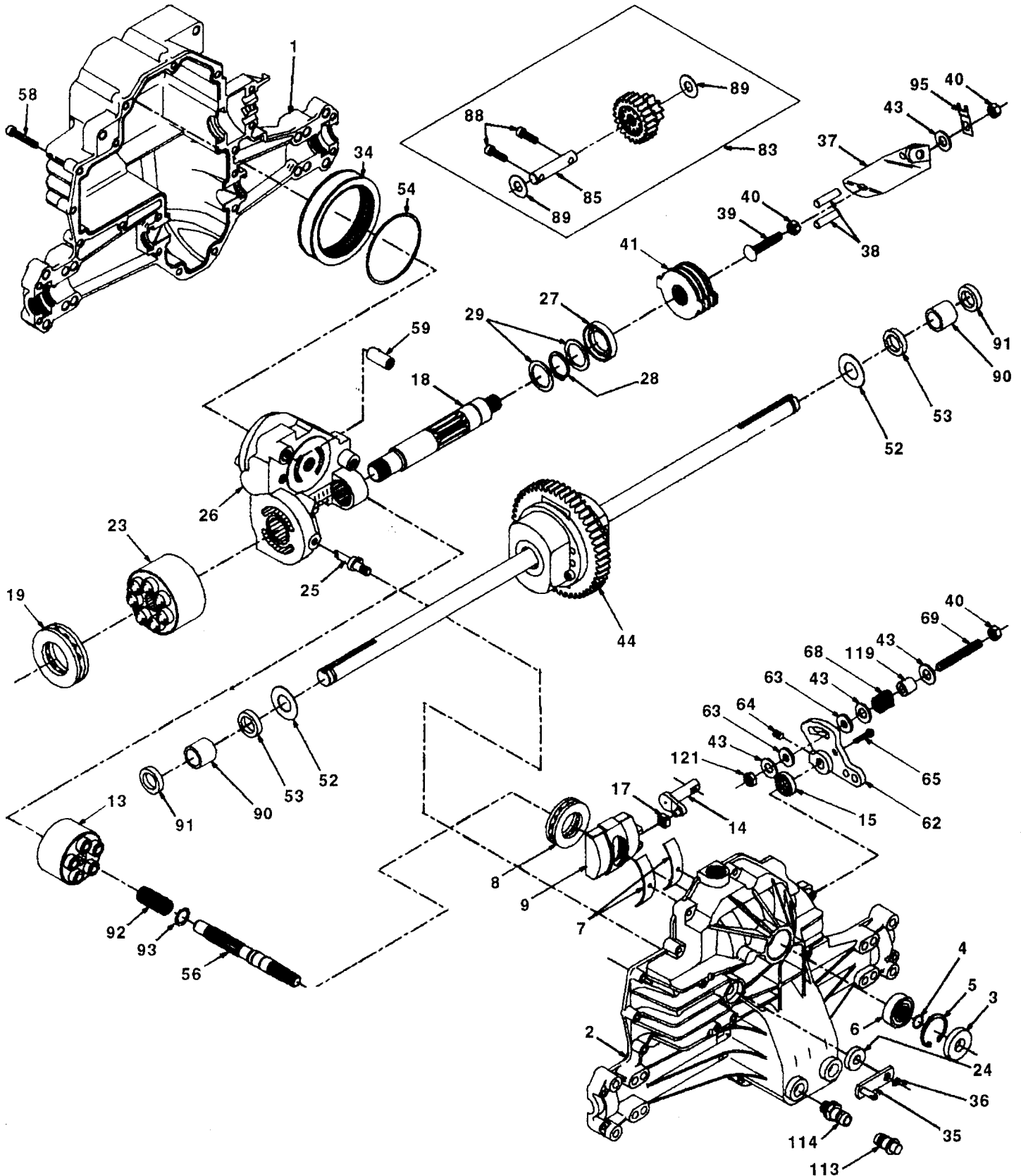
KEY NO.	PART NO.	DESCRIPTION	KEY NO.	PART NO.	DESCRIPTION
1	532140081	Deck Asm Mower 42"	45	532124788	Spring Retainer 1" Zinc/cad
2	872140506	Bolt Rdhd Sqnk 5/16-18unc X3/4	46	532137729	Screw Hex Thd Cut 1/4-20x5/8 T
3	532138017	Bracket Asm Fr Sway Bar	48	532133944	Washer Hardened Smaller
4	532138440	Bracket Asm Deck Sway Bar 42"	49	532133940	Roller Asm Cam Follower 42" dec
4a	532132827	Bolt Shoulder 5/16 - 18	50	532131340	Bolt Shldr 10-24 Zinc Gr 5 42"
5	532124670	Retainer Spring	51	532069180	Nut Lock #10-24 Unc
6	532130832	Arm Suspension Rear	52	532139888	Bolt Shoulder 5/16-18
7	873800500	Locknut Hex W/Ins 5/16 - 18	53	532131845	Arm Asm Pad Brake
8	532850857	Bolt 3/8-24x1 25 Gr8 Patched	54	532133943	Washer Hardened
9	810030600	Washer Lock Hvy 3/8 Unplated	55	532140084	Arm Idler 42" mower LT/YT
10	532140296	Washer Hard Blade Mower Vented	56	532122052	Spacer Retainer Pm Mower
11	532134149	Blade	57	532140090	Keeper Belt LH Front
12	532129895	Bearing Ball #6204 (Mandrel)	58	532140086	Spring Torsion Brakes
13	532137645	Shaft Asm W/lower Bearing	59	532141043	Guard Tuv Idler
14	532128774	Housing Mandrel Vented(machd)	67	532106933	Knob Rd 1/2-13 Plstc Thds Blk
15	532110485	Bearing Ball Mandrel	68	532140067	V-Belt Mower 42" 82 625
16	532140329	Stripper Mower Vented	71	532142427	Rod Clutch Primary 38/42
17	872110610	Bolt Rdhd Sqnk 3/8-16 X 1-1/4	72	532131870	Spring Return
18	872140505	Bolt Rdhd Sqnk 5/16-18 X 5/8	73	532127847	Arm Clutch Secondary
19	873800500	Locknut-hex W/ins 5/16-18unc P	74	532121748	Washer 25/32 X 1-5/8 X 16 Ga
20	532136888	Baffle Vortex 42	75	812000029	Ring Klip #15304-75
21	873800500	Nut Lock Hx w/Ins 5/16-18	76	532128903	Bolt Shoulder 3/8-16 Unc 1 44
22	532134753	Stiffener Bracket 42" deck	77	532127845	Keeper Spring 4 000
23	532131267	Bracket Deflector Mower 42"	78	532140179	Arm Asm Clutch Primary
24	532105304	Cap Sleeve 80x 112 Blk Mower	79	532127498	Bushing 747 Od X 794 Lg Brass
25	532123713	Spring Torsion Deflector 2 52	80	532128759	Spring Clutch Mower 2 750 Zinc
26	532110452	Nut Push Phos & Oil	81	873350600	Nut Hex Jam 3/8-16 unc
27	532130968	Shield Deflector Mower 42" Blk"	82	532142028	Trunnion Adj.
28	819111016	Washer 11/32 X 5/8 X 16 Ga	101	532136420	Cover Mulching 42" Black
29	532131491	Rod Hinge 42" 6 75 Wig	102	871161010	Screw
30	532138776	Screw Thdrol Hex Head	103	810071000	Washer Lock #10
31	532129963	Washer Spacer Mower Vented	104	819061216	Washer #10
32	532129861	Pulley Mandrel 42"	105	532130758	Latch Asm Bagger
33	532137266	Nut Flg Top Lock Cntr B 9/16	106	532125004	Nut Weld .327/.304 #10-24
34	872110614	Bolt Rdhd 3/8-16uncx1-3/4 Gr5	--	532130794	Mandrel Asm Service
35	532133835	Fastner Christmas Tree	--	532140475	Deck Serv 42" mech Vent Multi-Lang (Order Mulcher Plate separately- Key Nos. 101-106)
36	532131494	Pulley Idler Flat 3 060			
37	819131316	Washer 13/32 X 13/16 X 16 Ga			
40	873800600	Nut Lock Hx w/Wsh 3/8-16 Unc			
41	532133551	Rod Pivot W/nibs			
43	532140083	Rod Clutch Secondary W/nibs			
44	532140088	Guard Mandrel LH Black			

NOTE: All component dimensions given in U.S. inches
 1 inch = 25.4 mm

12.5 HP 42" TRACTOR- -MODEL NO. LTH125 (HC125H42A),

PRODUCT NO. 954 00 07-82

HYDRO-GEAR TRANSAXLE - MODEL NO. 319-0750



12.5 HP 42" TRACTOR- -MODEL NO. LTH125 (HC125H42A),

PRODUCT NO. 954 00 07-82

HYDRO-GEAR TRANSAXLE - MODEL NO. 319-0750

KEY PART NO. NO.	DESCRIPTION	KEY PART NO. NO.	DESCRIPTION
1 532142930	Housing, Lower	43 532142884	Washer 7/16 x 7/8 x .060
2 532142931	Assembly, Upper Housing	44 532142959	Differential Assembly
3 532142932	Seal, Lip	52 532142960	Washer 3/4 x 1.5 x .03
4 532142928	Ring, Wire Retaining	53 532142961	Seal .75 x 1.25 x .250
5 532142933	Ring, Retaining	54 532142962	O-Ring .103 x 2.987 ID
6 532142934	Bearing, Shaft Ball	56 532142963	Shaft, Input
7 532142935	Bearing, Cradle	58 532142964	Bolt 1/4-20 x 1.38
8 532142936	Bearing, Thrust 30 x 52 x 13	59 532142965	Pin .5 OD x .43 ID x .750
9 532142937	Swashplate, Variable	62 532142966	Arm, Control
13 532142938	Block, Cylinder Assembly	63 532142967	Puck, Dampener
14 532142939	Arm, Trunnion	64 532142920	Set Screw
15 532142940	Seal, Lip	65 532142968	Bolt #8-32 x .875
17 532142941	Guide, Slot	68 532142969	Spring
18 532142942	Shaft, Motor	69 532142970	Socket Set Screw
19 532142943	Bearing, Thrust 42 x 68 x 16	83 532142971	Jack Shaft Assembly
23 532142944	Block, Cylinder Assembly	85 532142972	Jack Shaft
24 532142945	Seal, Lip 10 x 25 x 7	88 532142973	Capscrew
25 532142946	Actuator, Bypass	89 532142974	Washer
26 532142947	Center Section Assembly Kit	90 532142975	Sleeve Bearing
27 532142948	Seal, Lip 26 x 42 x 8	91 532142976	Seal, Wiper
28 532142949	Ring, Retaining	92 532142977	Spring, Block
29 532142950	Washer 26 x 35 x 1	93 532142978	Washer, Block Thrust
34 532142951	Oil Filter Element	95 532142979	Strap, Locking
35 532142952	Arm, Bypass	113 532142917	Cap, Vent Assembly
36 532142953	Ring, Retaining	114 532142918	Fitting, O-Ring Assembly
37 532142954	Arm, Actuating	119 532142980	Spacer
38 532142955	Pin, Actuating	121 532142981	Jam Nut 5/16-24
39 532142956	Bolt 5/16-24 x 1-3/4		
40 532142957	Locknut, Hex 5/16-24 UNJC		
41 532142958	Brake Rotor/Stator Kit		

NOTE: All component dimensions given in U.S. inches
 1 inch = 25.4 mm