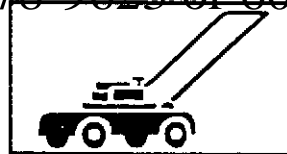
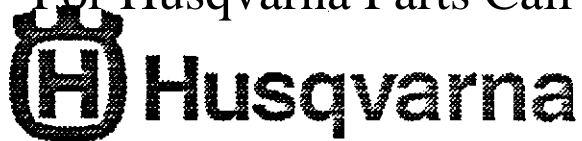


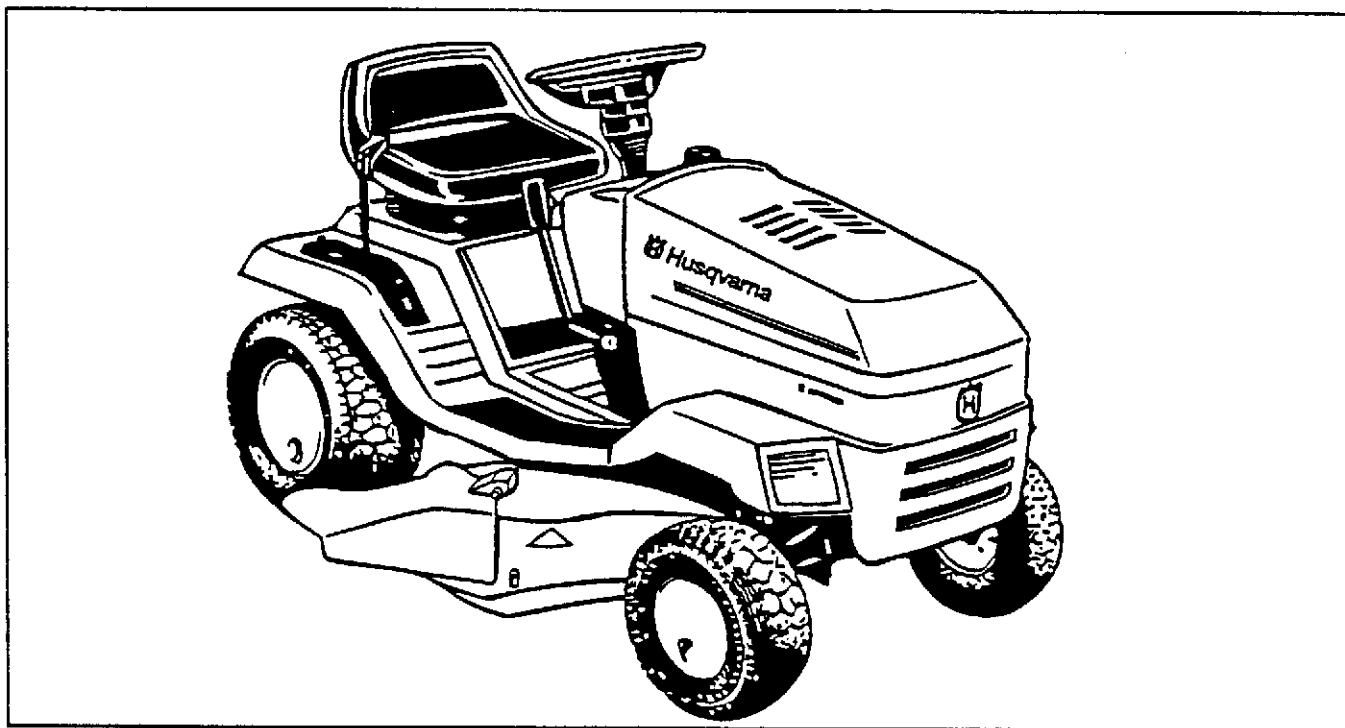
For Husqvarna Parts Call 606-678-9623 or 606-561-4983



13

LRH125

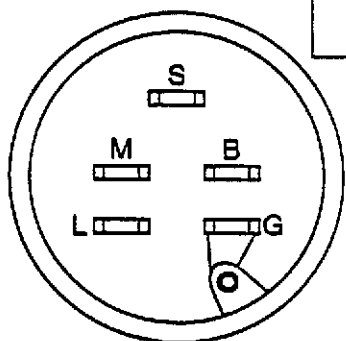
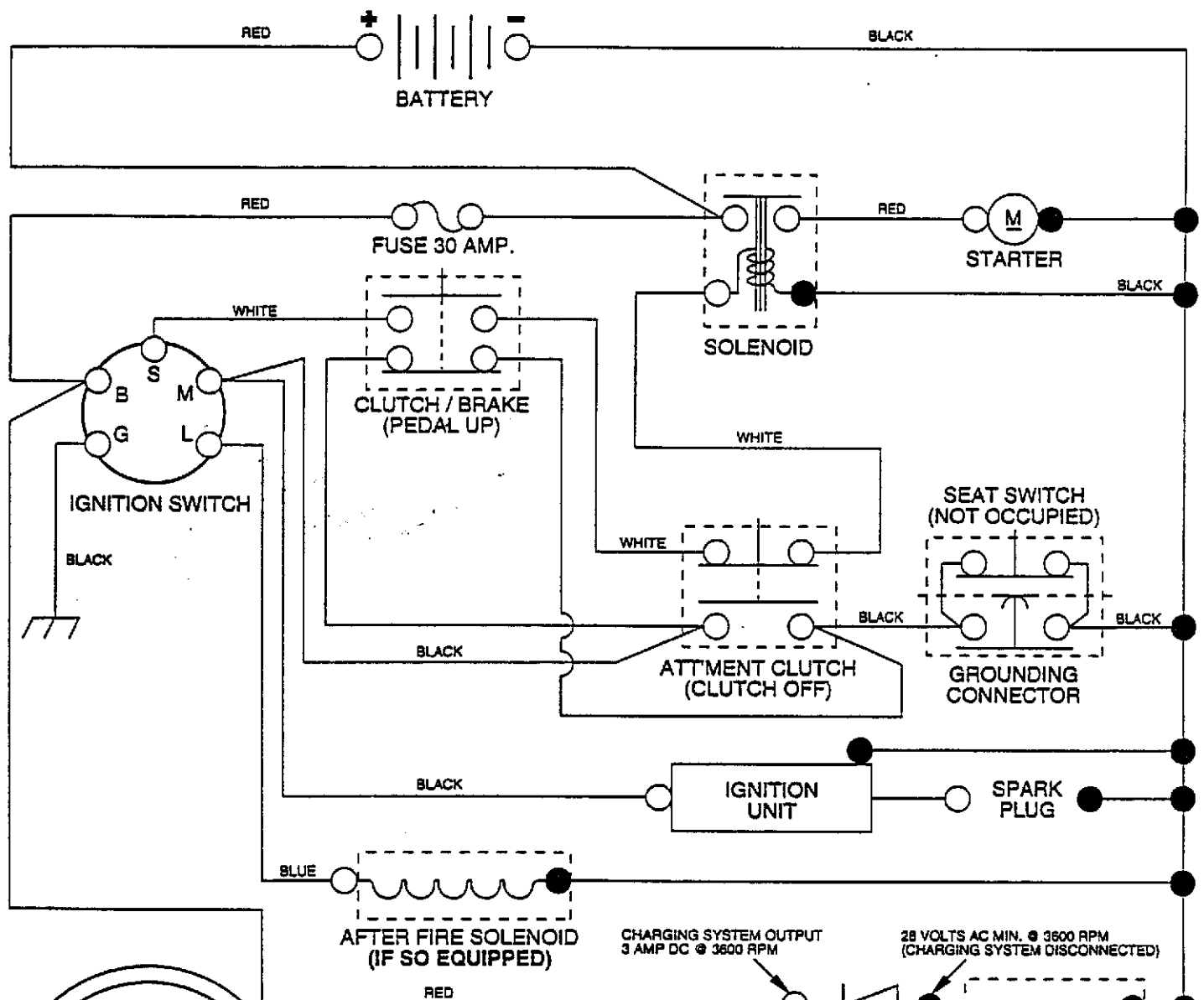
HN125HR38B



1.1994
Spare parts

Operator's Manual 532 14 47-98

SCHEMATIC



IGNITION SWITCH

POSITION	CIRCUIT
OFF	M + G
ON	B + L
START	B + S + L

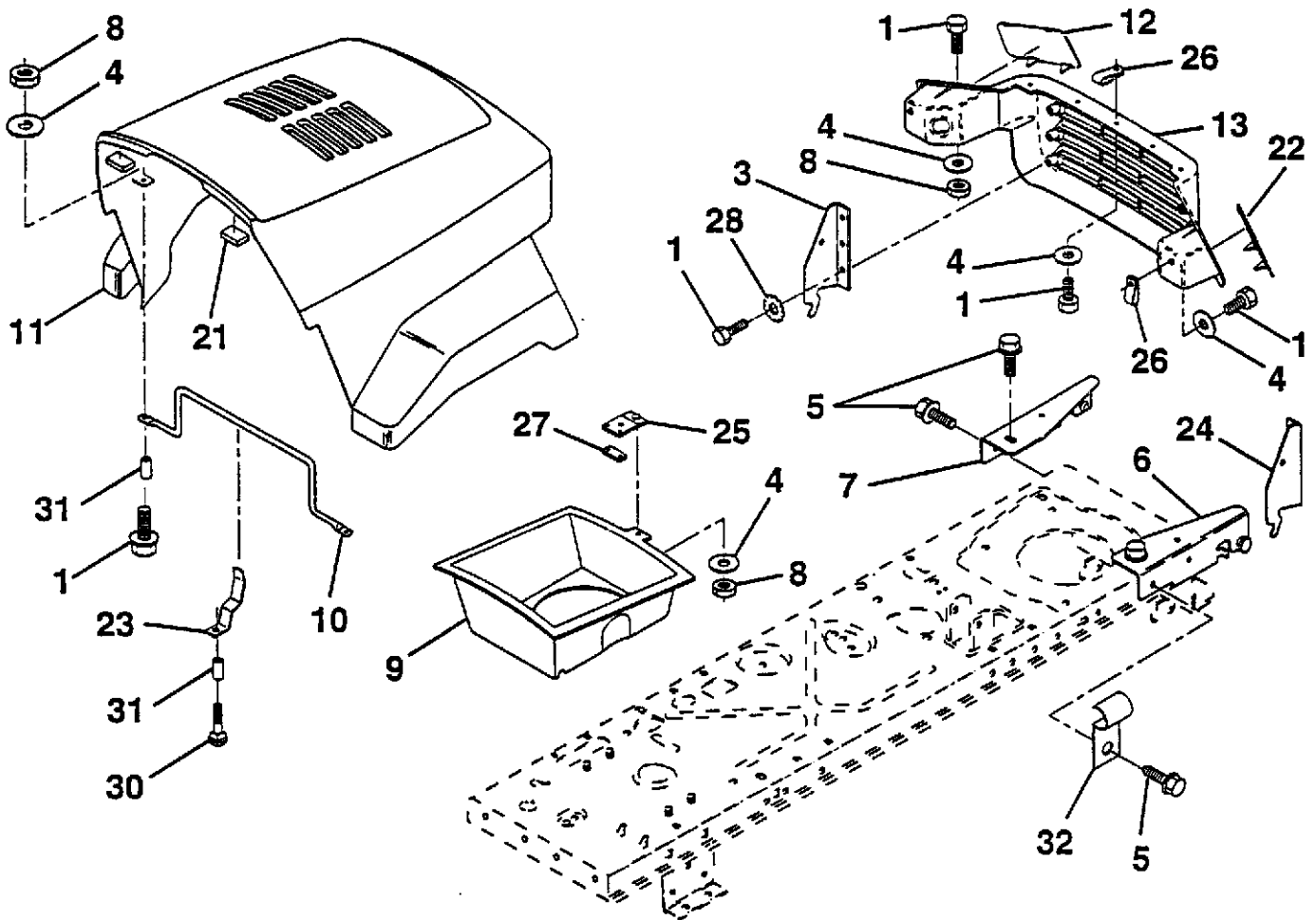
NOTE
 YOUR TRACTOR IS EQUIPPED WITH A SPECIAL ALTERNATOR SYSTEM. THE LIGHTS ARE NOT CONNECTED TO THE BATTERY, BUT HAVE THEIR OWN ELECTRICAL SOURCE. BECAUSE OF THIS, THE BRIGHTNESS OF THE LIGHTS WILL CHANGE WITH ENGINE SPEED. AT IDLE THE LIGHTS WILL DIM. AS THE ENGINE IS SPEEDED UP, THE LIGHTS WILL BECOME THEIR BRIGHTEST.

WIRING INSULATED CLIPS
NOTE: IF WIRING INSULATED CLIPS WERE REMOVED FOR SERVICING OF UNIT, THEY SHOULD BE REPLACED TO PROPERLY SECURE YOUR WIRING.

● NON-REMOVABLE CONNECTIONS ○ REMOVABLE CONNECTIONS

For Husqvarna Parts Call 606-678-9623 or 606-561-4983
REPAIR PARTS

12.5 HP 38" TRACTOR-MODEL NO. LRH125 (HN125HR38B), PRODUCT NO. 954 00 06-22
HOOD



KEY NO.	PART NO.	DESCRIPTION
1	874780410	Bolt Fin Hex 1/4-20 x 5/8
3	532128445	Bracket Pivot Hood LH
4	819091216	Washer 9/32 x 3/4 x 16 Ga.
5	817490512	Screw Thdrol 5/16-18 x 3/4
6	532140051	Bracket Asm. Pivot Hood RH
7	532140050	Bracket Asm. Pivot Hood LH
8	873510400	Nut Keps 1/4-20
9	532123840	Duct Air Hood
10	532130850	Brace Hood
11	532140142	Hood
12	532130986	Lens LH

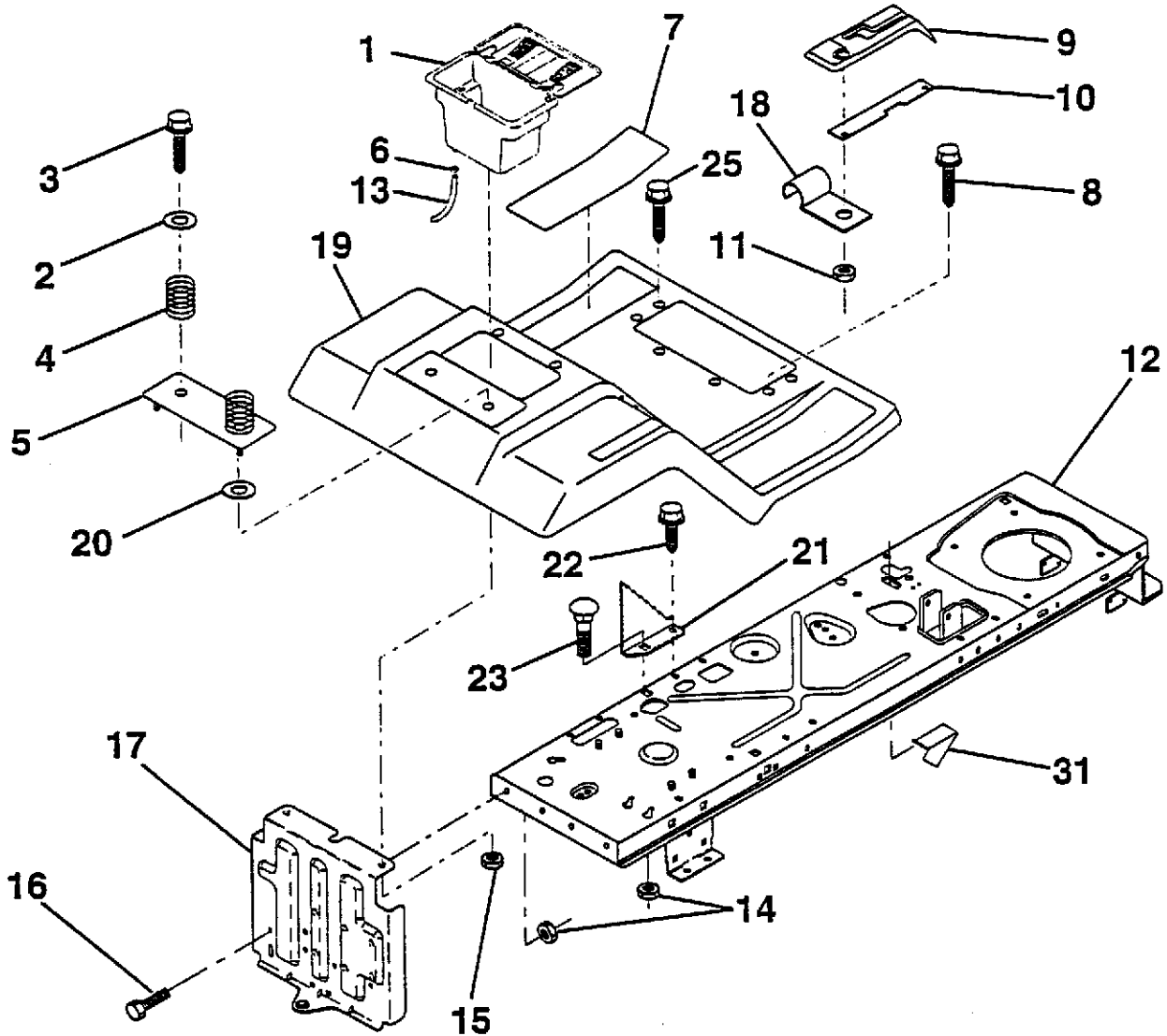
KEY NO.	PART NO.	DESCRIPTION
13	532130984	Grille
21	532126938	Bumper Hood
22	532130985	Lens RH
23	532139969	Latch Hood
24	532142873	Bracket Pivot Hood RH
25	532138740	Clip Asm. Duct Air
26	532052921	Clip Tinnerman
27	532131028	Clip Tinnerman
28	811050400	Washer Lock Ext Tooth
30	872110412	Bolt Hex Fin 1/4 - 20 UNC x 1-1/2
31	532138748	Spacer
32	532124996	Clip Line Fuel

NOTE: All component dimensions given in U.S. inches
 1 inch = 25.4 mm

HARDWARE SHOWN LARGER FOR EASIER IDENTIFICATION

www.mymowerparts.com

12.5 HP 38" TRACTOR-MODEL NO. LRH125 (HN125HR38B), PRODUCT NO. 954 00 06-22
FENDER/CHASSIS



KEY NO.	PART NO.	DESCRIPTION
1	532129965	Case Asm. Battery
2	819132012	Washer 13/32 x 1-1/4 x 12 Ga.
3	817490612	Screw Thdrol. 3/8-16 x 3/4
4	532124181	Spring seat
5	532125142	Plate Asm. Pnt Battery Fender
6	532109596	Clamp Hose Olive
7	532126700	Pad Footrest Rubber Deluxe
8	817490512	Screw Thdrol. 5/16-18 x 3/4
9	532140919	Console Shf. 6sp W/Ign.
11	532124346	Nut Self Thd. Wsh-Hd 1/4
12	532140784	Chassis Asm. Weldment
13	532109238	Tube Plastic
14	873800500	Nut Crownlock 5/16-18

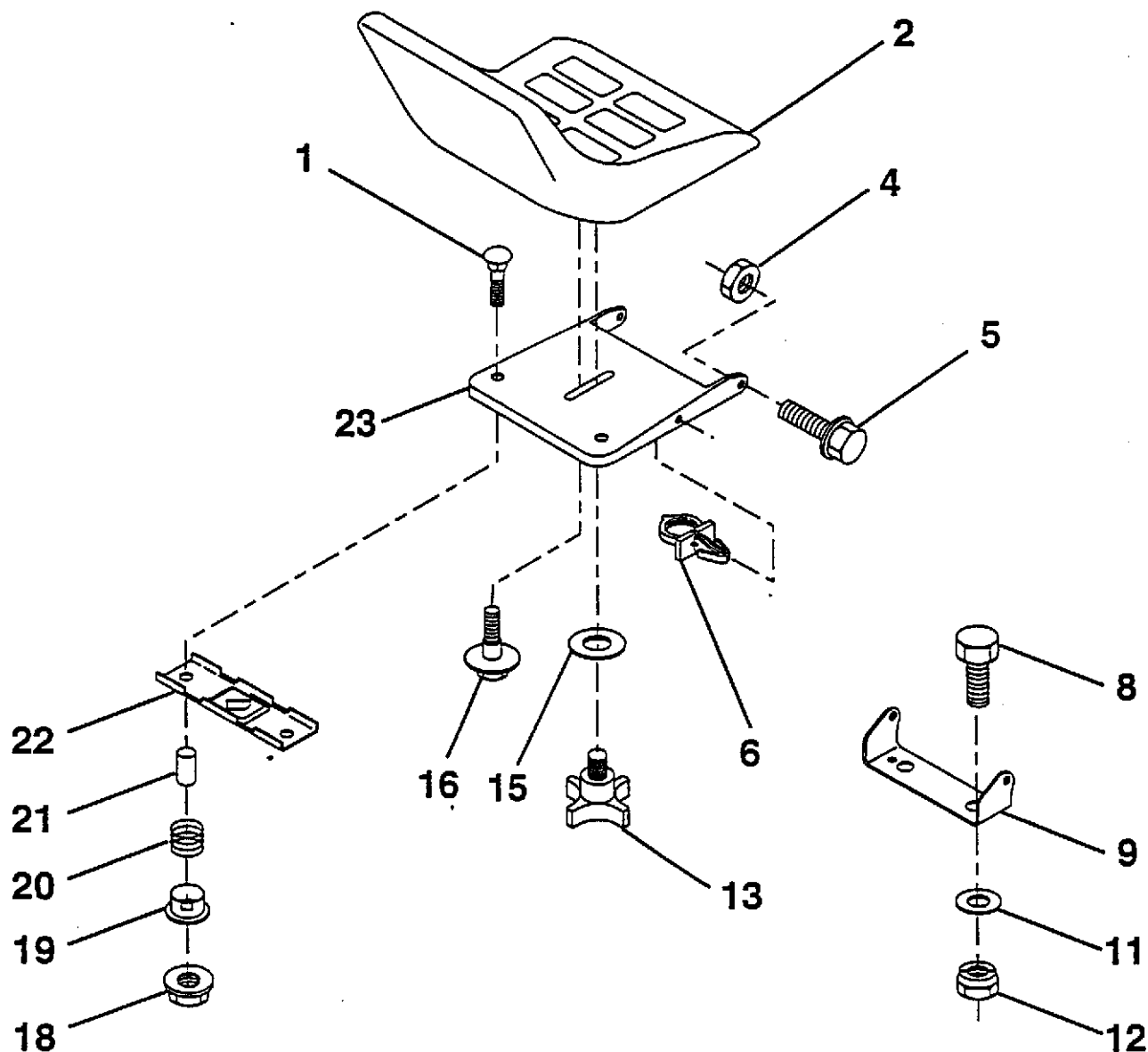
KEY NO.	PART NO.	DESCRIPTION
15	873510400	Nut Keps Hex 1/4-20
16	874760512	Bolt Hex Hd. 5/16-18 x 3/4
17	532140782	Drawbar Asm.
18	532126470	Clip Insulated
19	532141366	Fend/Foot Asm. Pnt Shf. Frd.
20	819091413	Washer 9/32 x 7/8 x 13 Ga.
21	532140297	Bracket Stop Depth
22	817490508	Screw Thdrol 5/16-18 x 1/2
23	872110506	Bolt Rdhdsqnk. 5/16-18 x 3/4
25	817490516	Scr-Hex Wsh Rol 5/16-18 x 1
30	532124238	Cap Spring
31	532141736	Switch Actuator

NOTE: All component dimensions given in U.S. inches
 1 inch = 25.4 mm

HARDWARE SHOWN LARGER FOR EASIER IDENTIFICATION

REPAIR PARTS

12.5 HP 38" TRACTOR-MODEL NO. LRH125 (HN125HR38B), PRODUCT NO. 954 00 06-22
SEAT



KEY NO.	PART NO.	DESCRIPTION
1	872050411	Bolt, Carriage 1/4-20 x 1-3/8
2	532127398	Seat
4	873800500	Nut, Hex, Lock w/wsh 5/16-18
5	532139888	Bolt, Shoulder 5/16-18 UNC
6	532140407	Clip, Insulated
8	874760616	Bolt, Hex, Fin. 3/8-16 UNC x 1
9	532140551	Bracket, Pivot, Seat
11	819133210	Washer 12/32 x 2 x 10 Gauge
12	873800600	Nut, Hex, Lock Hex w/wsh 3/8-16
13	532120068	Knob, Seat

KEY NO.	PART NO.	DESCRIPTION
15	819171912	Washer 17/32 x 1-3/16 x 12 Gauge
16	532127018	Bolt, Shoulder
18	532123976	Nut, Hex, Large, Flange Lock
19	532121248	Bushing, Snap
20	532121250	Spring, Compression
21	532134300	Spacer, Split, Large .28 Id. x .96
22	532121246	Bracket, Switch Mounting
23	532140552	Pan, Seat

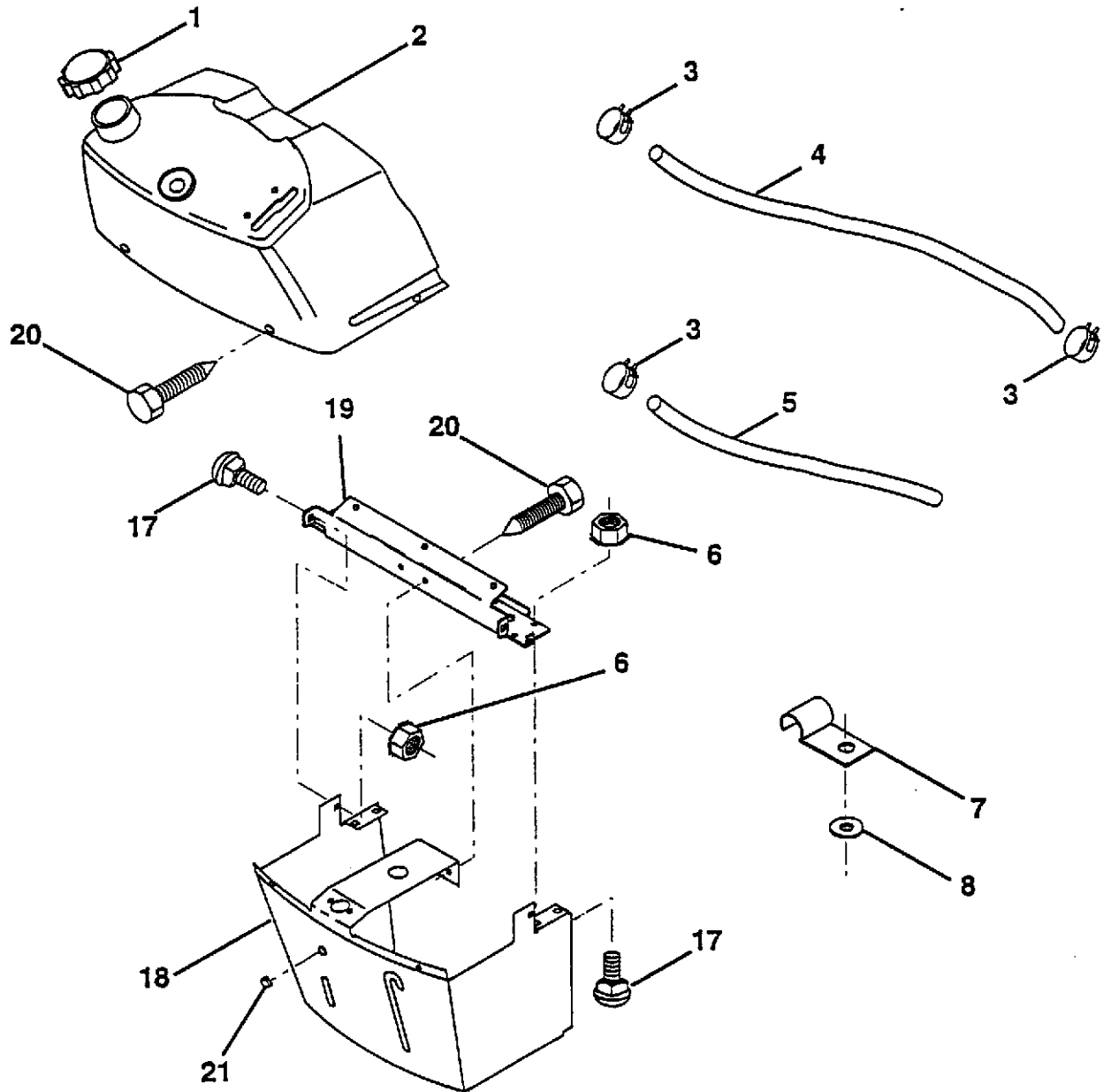
NOTE: All component dimensions given in U.S. inches
1 inch = 25.4 mm

HARDWARE SHOWN LARGER FOR EASIER IDENTIFICATION

www.mymowerparts.com

For Husqvarna Parts Call 606-678-9623 or 606-561-4983
REPAIR PARTS

12.5 HP 38" TRACTOR-MODEL NO. LRH125 (HN125HR38B), PRODUCT NO. 954 00 06-22
 DASH



KEY NO.	PART NO.	DESCRIPTION
1	532142187	Cap, Fuel Tank
2	532138395	Assembly, Dash & Fuel Tank
3	532123487	Clamp, Hose
4	532008544	Line, Fuel
5	532008548	Line, Fuel
6	873510400	Nut, Hex, Keps 1/4-20
7	532124996	Clip, Fuel Line

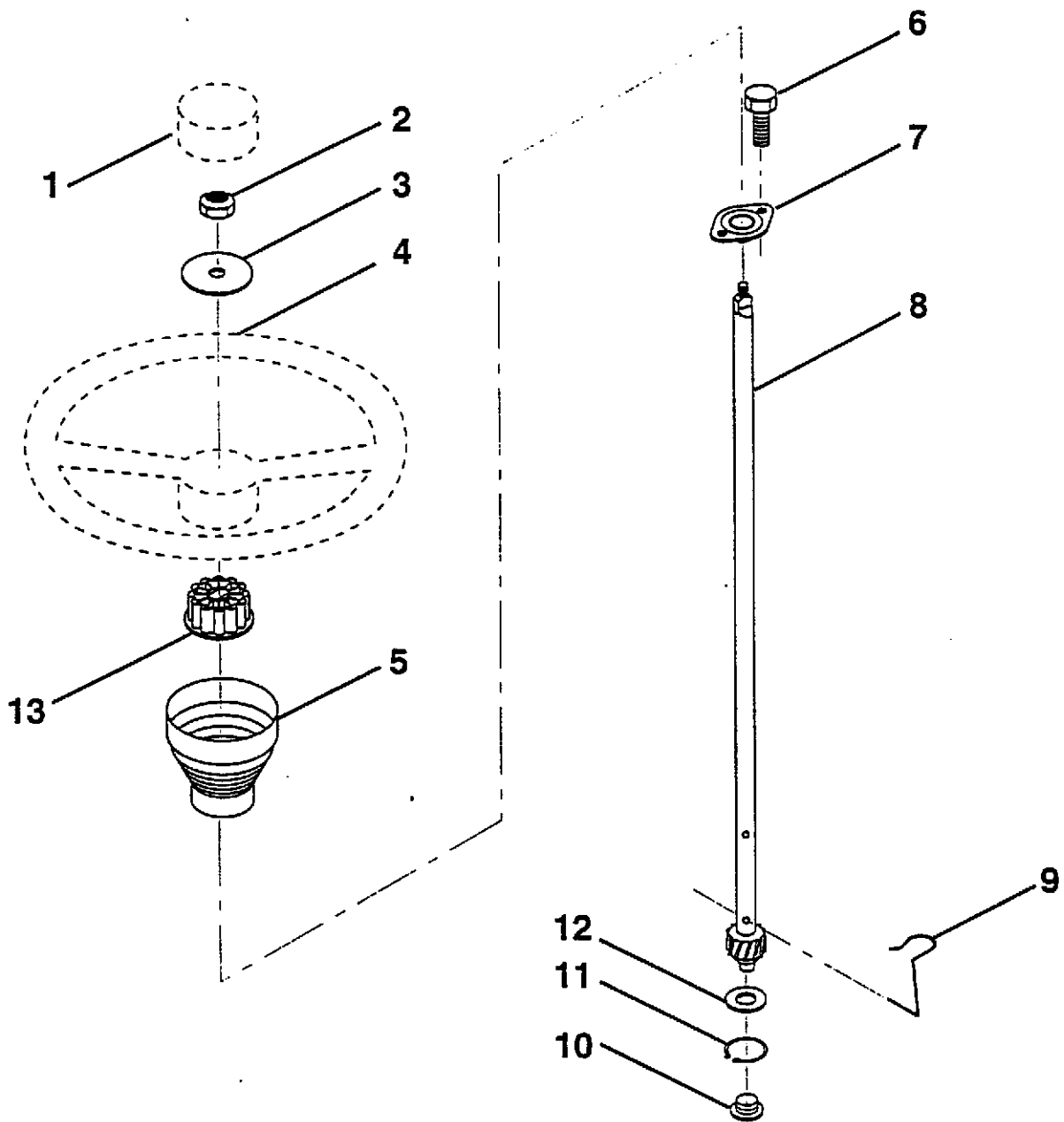
KEY NO.	PART NO.	DESCRIPTION
8	819091216	Washer 9/32 x 3/4 x 16 Gauge
17	872110404	Bolt, Carriage 1/4-20 x 1/2 Grade 5
18	532131886	Support Assembly, Dash
19	532134744	Brace, Cross
20	817060408	Screw, Self-Tapping 1/4-20 x 1/2
21	532134014	Plug, Dome, Black

NOTE: All component dimensions given in U.S. inches
 1 inch = 25.4 mm

HARDWARE SHOWN LARGER FOR EASIER IDENTIFICATION

REPAIR PARTS

12.5 HP 38" TRACTOR-MODEL NO. LRH125 (HN125HR38B), PRODUCT NO. 954 00 06-22
STEERING WHEEL



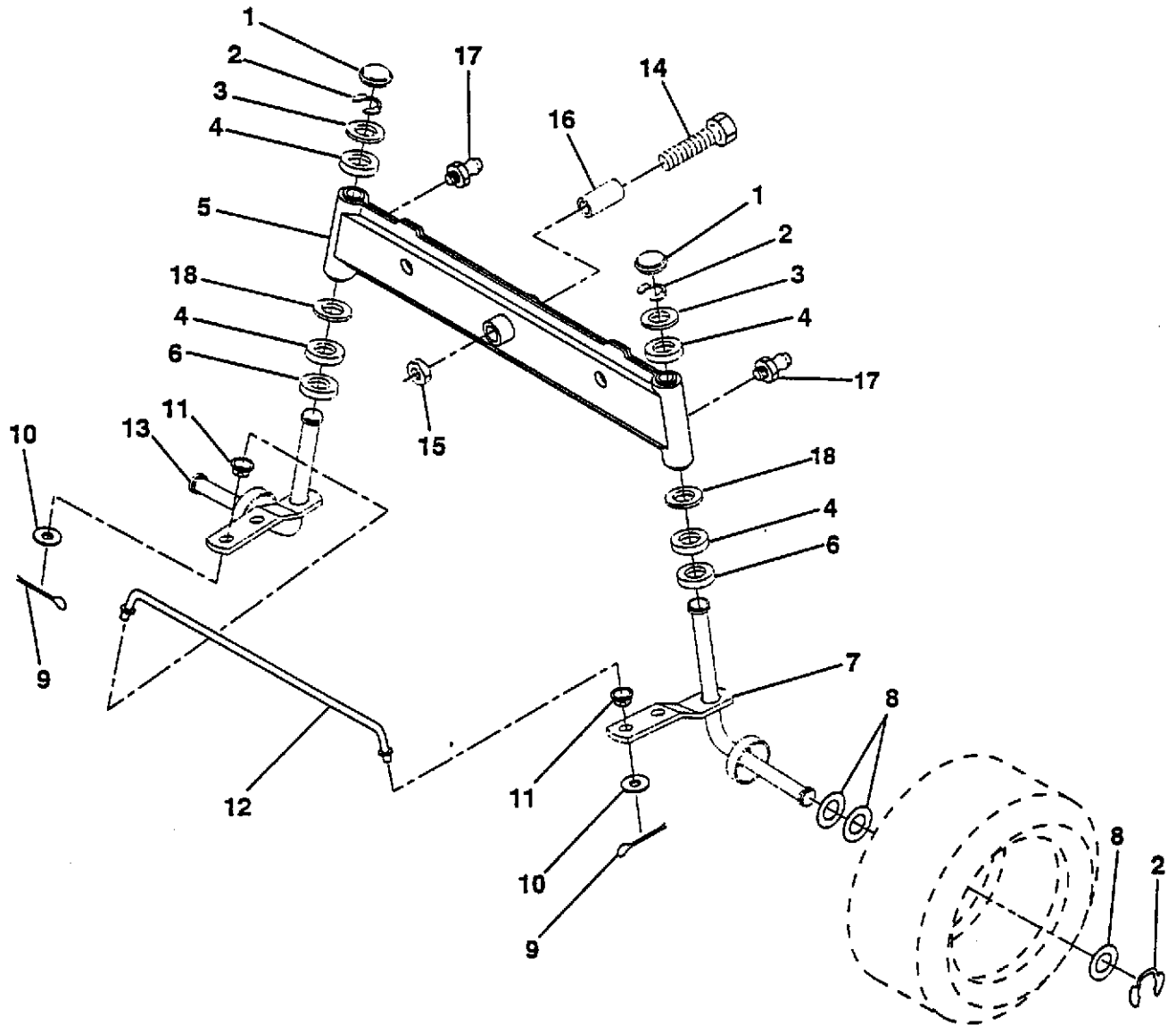
KEY NO.	PART NO.	DESCRIPTION
1	532124416	Insert, Steering Wheel
2	532124701	Locknut 3/8-24 UNF
3	819133808	Washer 12/32 x 2-3/8 x 8 Gauge
4	532124415	Steering Wheel
5	532127396	Sleeve, Steering
6	817431008	Screw, Hex Head #10-16 x 1/2

KEY NO.	PART NO.	DESCRIPTION
7	532102803	Bushing, Steering
8	532123651	Shaft, Steering
9	532124210	Clip, Steering
10	532123438	Bushing, Lower, Steering
11	812000045	Ring, Retaining
12	819211616	Washer 21/32 x 1 x 16 Gauge
13	532104820	Adaptor, Steering Wheel

NOTE: All component dimensions given in U.S. inches
1 inch = 25.4 mm

HARDWARE SHOWN LARGER FOR EASIER IDENTIFICATION

12.5 HP 38" TRACTOR-MODEL NO. LRH125 (HN125HR38B), PRODUCT NO. 954 00 06-22
FRONT AXLE



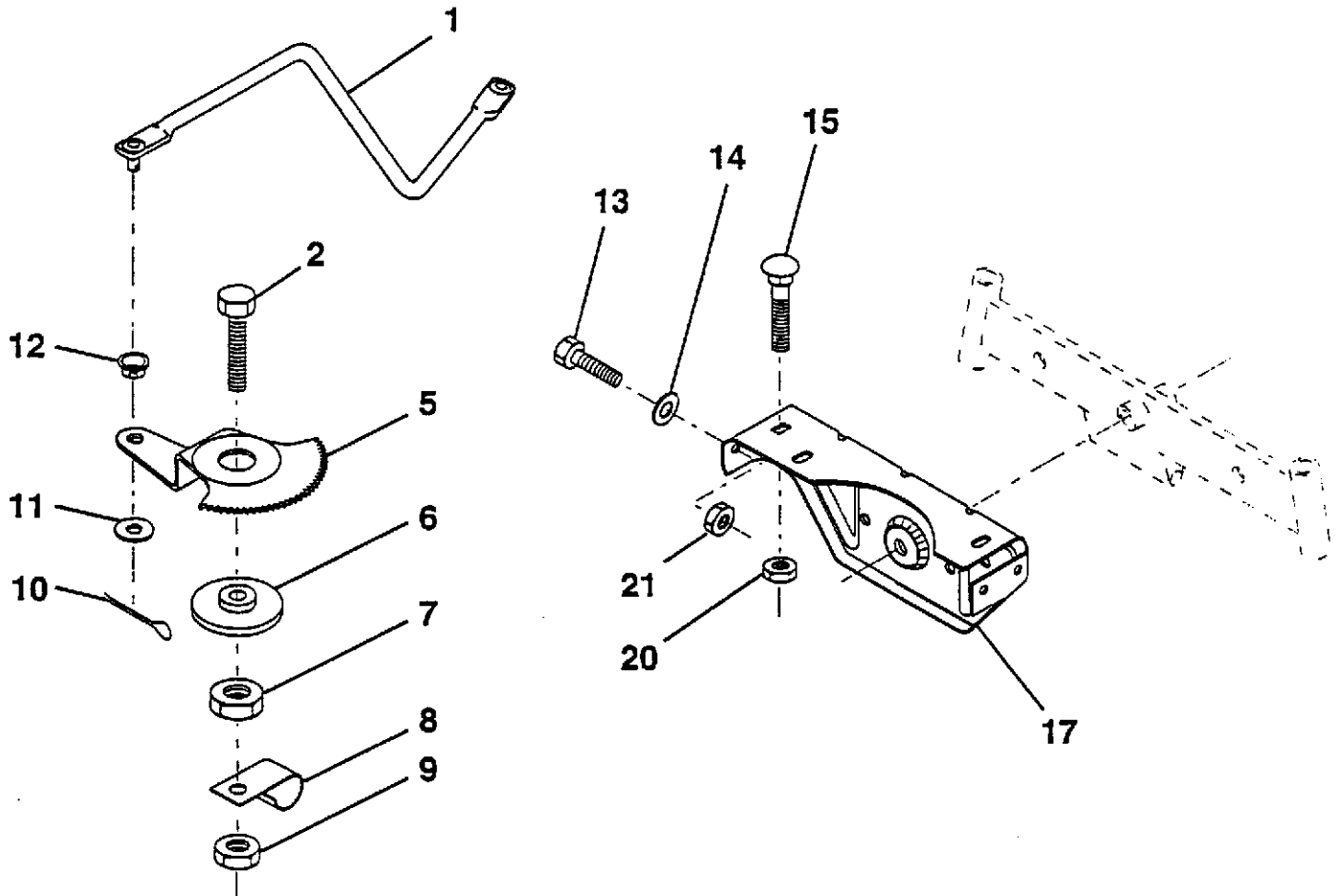
KEY NO.	PART NO.	DESCRIPTION
1	532121232	Cap, Spindle
2	812000029	Ring, Clip
3	532121748	Washer 25/32 x 1-5/8 x 16 Gauge
4	532124937	Bearing
5	532142033	Axle, Front
6	532124931	Bearing, Thrust
7	532137062	Spindle Assembly, R.H.
8	532121749	Washer 25/32 x 1-1/4 x 16 Gauge
9	876020412	Pin, Cotter 1/8 x 3/4
10	819131316	Washer 13/32 x 13/16 x 16 Gauge

KEY NO.	PART NO.	DESCRIPTION
11	532126847	Bushing
12	532130465	Tie Rod
13	532137061	Spindle Assembly, L.H.
14	874011056	Bolt Hex 5/8-11 Unc x 3-1/2
15	873901000	Nut Lock Flange 5/8-11 Unc
16	532110438	Spacer Bearing
17	532124836	Fitting Grease
18	819272016	Washer 27/32 x 1-1/4 x 16 Ga.

NOTE: All component dimensions given in U.S. inches
 1 inch = 25.4 mm

HARDWARE SHOWN LARGER FOR EASIER IDENTIFICATION

REPAIR PARTS
12.5 HP 38" TRACTOR-MODEL NO. LRH125 (HN125HR38B), PRODUCT NO. 954 00 06-22
SECTOR GEAR / AXLE SUPPORT



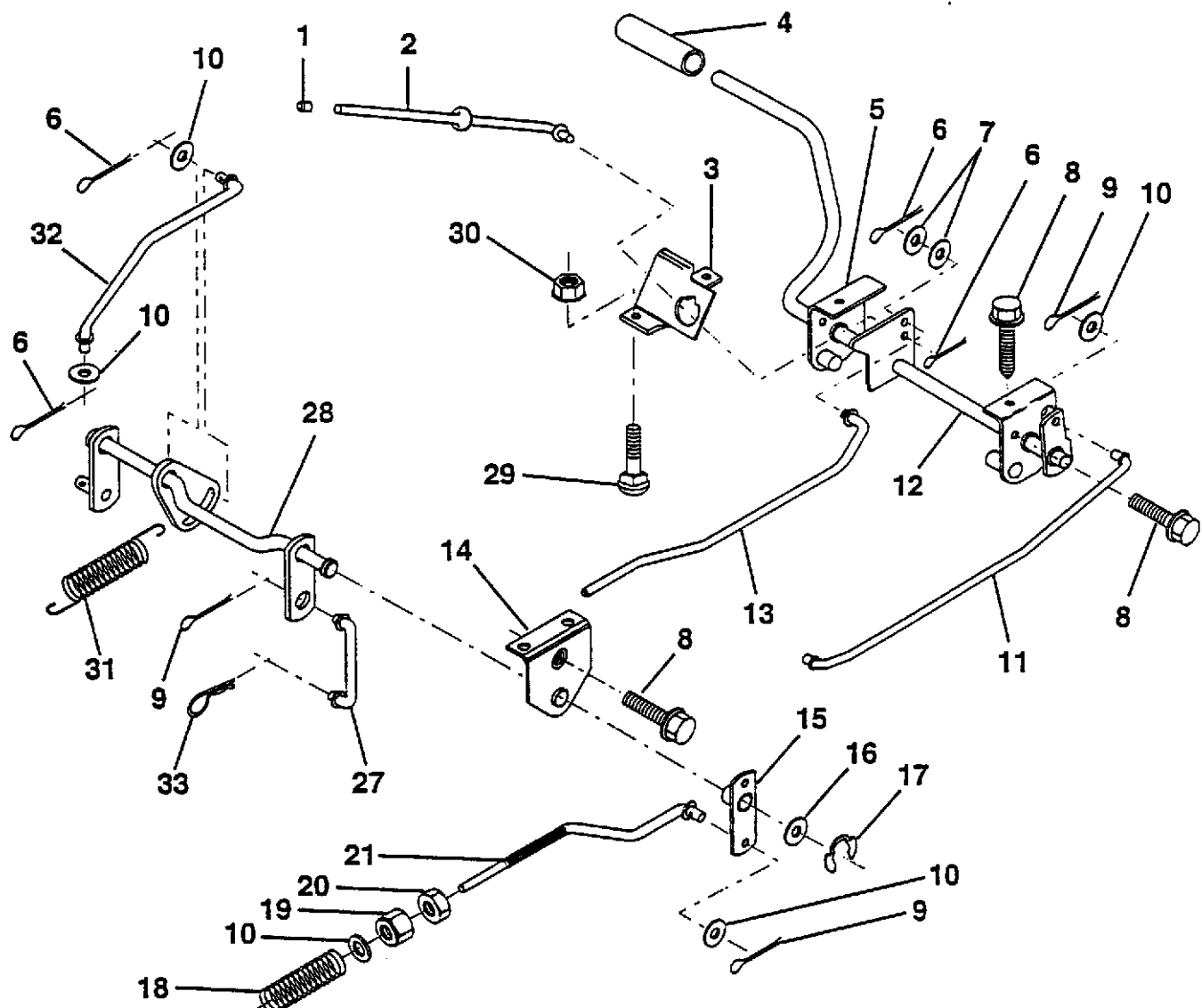
KEY NO.	PART NO.	DESCRIPTION
1	532132566	Link, Drag
2	874780828	Bolt, Hex, Fin. 1/2-13 x 1-3/4
5	532121926	Gear, Sector
6	532121927	Bushing
7	873030800	Nut, Heavy Hex, Top Lock 1/2-13 UNC
8	532126472	Clip, Insulated
9	873680800	Nut, Crownlock 3/8-16
10	876020412	Pin, Cotter 1/8 x 3/4
11	819131316	Washer 13/32 x 13/16 x 16 Gauge

KEY NO.	PART NO.	DESCRIPTION
12	532126847	Bushing
13	874760512	Bolt, Hex Head 5/16-18 UNC x 1
14	819111416	Washer 11/32 x 7/8 x 16 Gauge
15	872110606	Bolt, Carriage 3/8-16 UNC x 3/4
17	532137096	Support, Front Axle
20	873800600	Nut, Hex, Lock Hex w/wsh 3/8-16
21	873800500	Nut, Hex, Lock Hx w/Ins 5/16-18

NOTE: All component dimensions given in U.S. inches
 1 inch = 25.4 mm

HARDWARE SHOWN LARGER FOR EASIER IDENTIFICATION

**12.5 HP 38" TRACTOR-MODEL NO. LRH125 (HN125HR38B), PRODUCT NO. 954 00 06-22
 BRAKE / REAR MOWER LIFT ASSEMBLY**



KEY NO.	PART NO.	DESCRIPTION	KEY NO.	PART NO.	DESCRIPTION
1	532071673	Cap, Plunger	15	532133332	Assembly, Brake, Pivot, Arm
2	532123436	Rod, Parking Brake	16	819251816	Washer 25/32 x 1-1/8 x 16 Gauge
3	532123437	Bracket, Parking Brake	17	812000034	Ring, Klip
4	532008156	Cover, Pedal	18	532106888	Spring, Brake Rod
5	532132205	Bracket, Clutch/Brake Pedal, L.H.	19	873350600	Nut, Hex, Jam 3/8-16 UNC
6	876020312	Pin, Cotter 3/32 x 3/4	20	873800600	Locknut, Hex, w/Wsh Ins 3/8-16 UNC
7	819131016	Washer 13/32 x 5/8 x 16 Gauge	21	532144413	Rod, Brake, Rear
8	817490508	Screw, Hex Head, Thd., Roll. 5/16-18 x 1/2	27	532136780	Link, Lift, Rear
9	876020412	Pin, Cotter 1/8 x 3/4	28	532140777	Assembly, Rear Mower Lift
10	819131316	Washer 13/32 x 13/16 x 16 Gauge	29	872110506	Bolt, Carriage 5/16-18 UNC x 3/4
11	532123543	Rod, Brake, Front	30	873510500	Nut, Hex, Keps 5/16-16 UNC
12	532139934	Assembly, Clutch/Brake Pedal	31	532133095	Spring, Counterbalance
13	532123394	Rod, Clutch	32	532133721	Link, Lift Lever
14	532121978	Bracket, Lift Shaft	33	532124670	Retainer Spring

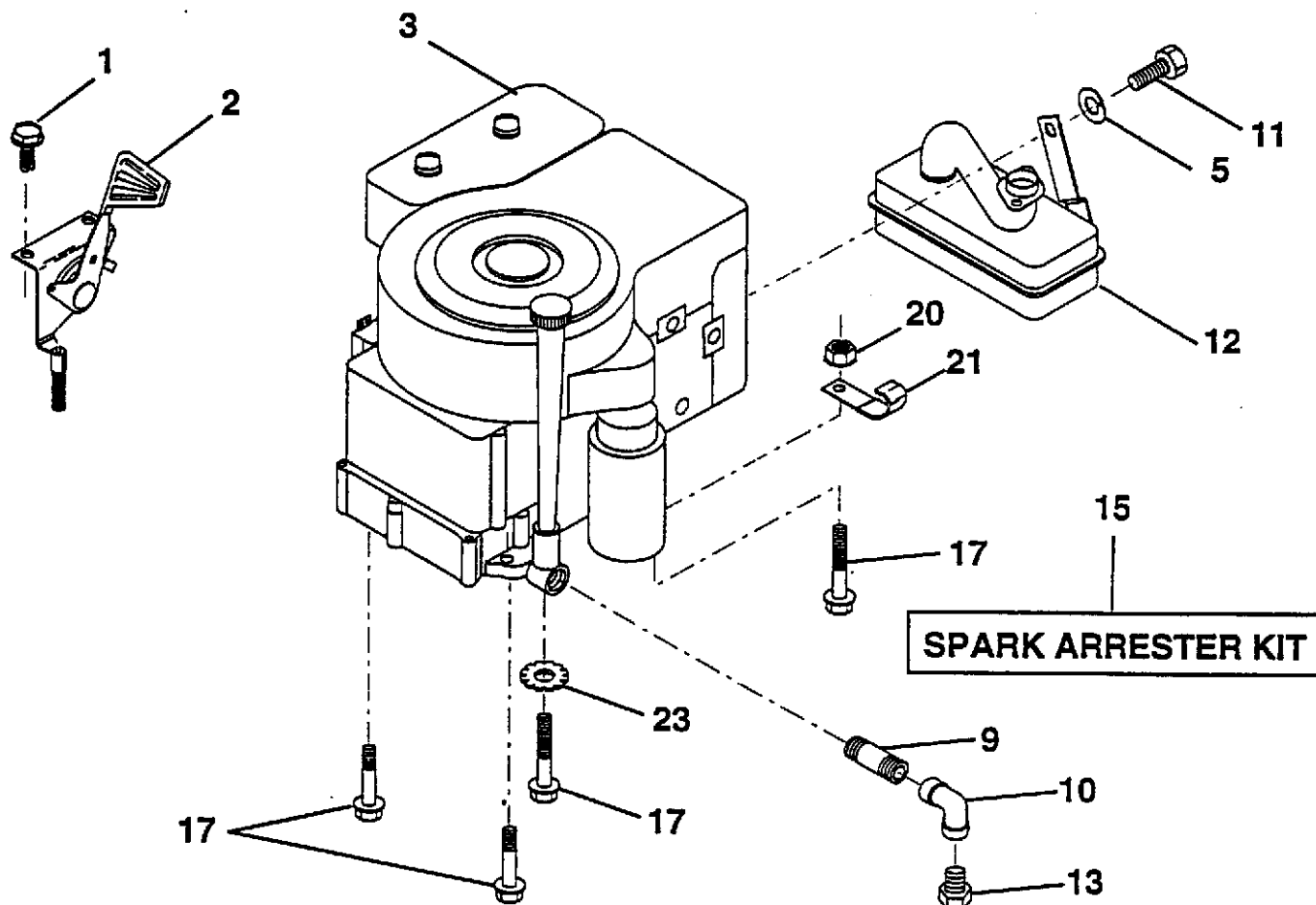
NOTE: All component dimensions given in U.S. inches
 1 inch = 25.4 mm

HARDWARE SHOWN LARGER FOR EASIER IDENTIFICATION

For Husqvarna Parts Call 606-678-9623 or 606-561-4983

REPAIR PARTS

12.5 HP 38" TRACTOR-MODEL NO. LRH125 (HN125HR38B), PRODUCT NO. 954 00 06-22
ENGINE



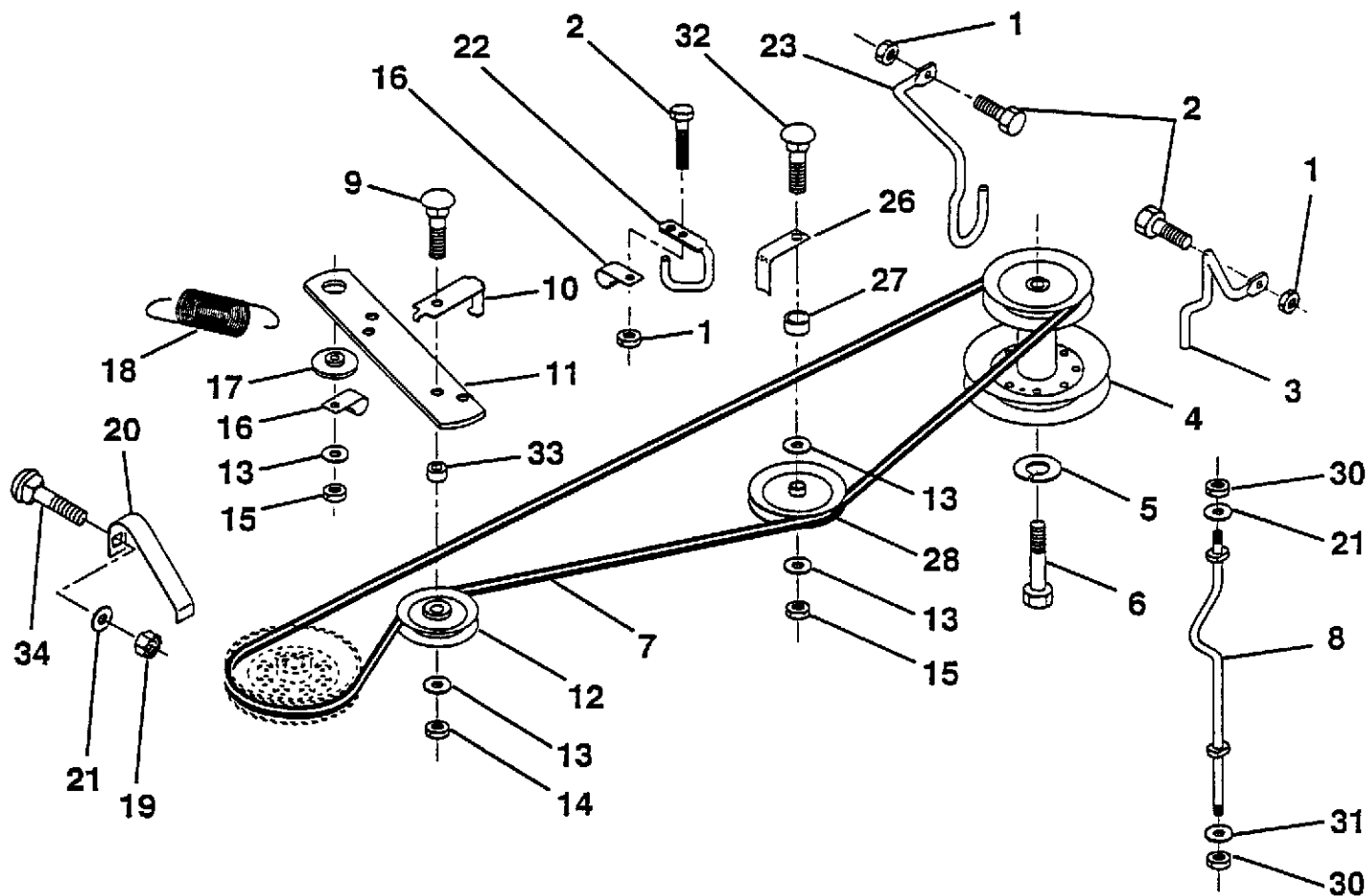
KEY NO.	PART NO.	DESCRIPTION
1	817060408	Screw, Hex Head, Thread Cutting 1/4-20 x 1/2
2	532132752	Control, Throttle
3	---	Engine, Kohler, 12.5 HP, Model
5	810040500	Washer, Lock, Heavy Helical Spring 5/16
9	813280328	Nipple Pipe
10	813200300	Elbow
11	874760508	Bolt, Hex, Fin. 5/16 - 18 x 1/2

KEY NO.	PART NO.	DESCRIPTION
12	532138149	Muffler
13	----	Oil Drain Plug (Order From Eng Mfg)
15	532137180	Arrester, Spark (Optional Equipment)
17	532125398	Boit Hex
20	873510600	Nut, Hex, Keps 3/8-16
21	532124996	Clip, Fuel Line
23	811050600	Washer Lock Ext. Tooth 3/8

NOTE: All component dimensions given in U.S. inches
1 inch = 25.4 mm

REPAIR PARTS

12.5 HP 38" TRACTOR-MODEL NO. LRH125 (HN125HR38B), PRODUCT NO. 954 00 06-22
GROUND DRIVE



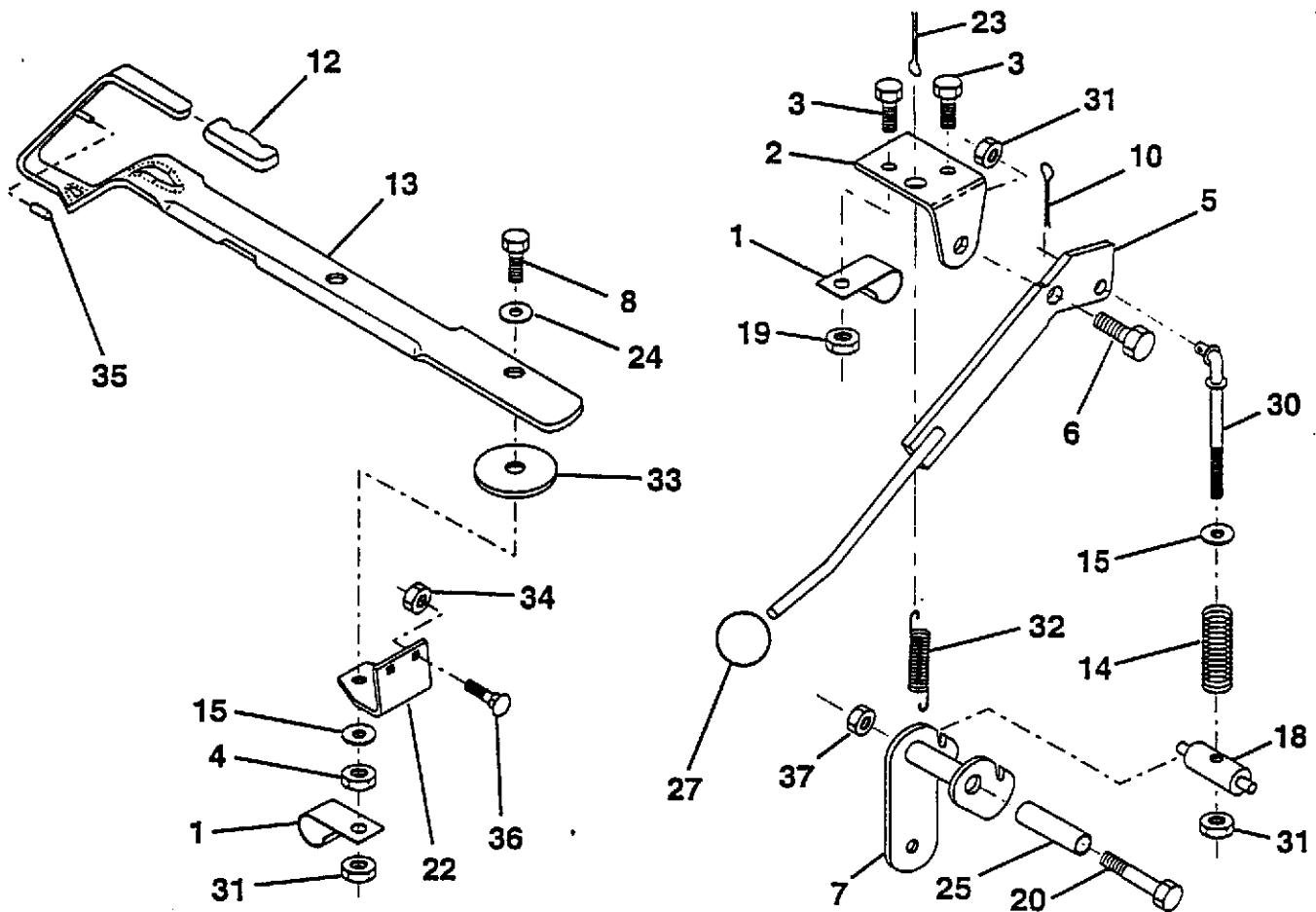
KEY NO.	PART NO.	DESCRIPTION
1	873800500	Nut, Lock Hx w/Ins 5/16-18
2	874760512	Bolt, Hex Head 5/16-18 x 3/4
3	532140917	Keeper, Belt RH Front
4	532138029	Pulley, Engine
5	810040700	Washer, Lock 7/16
6	532138887	Bolt, Hex Fin M10 x 1.5 x 75mm
7	532140910	V-Belt
8	532140785	Keeper, Belt RH
9	872140618	Bolt, RDHD SQ 3/8-16 x 2-1/4
10	532140780	Keeper, Belt, Idler Pulley
11	532140911	Arm, Idler
12	532123674	Idler, Flat
13	819131316	Washer 13/32 x 13/16 x 16 Gauge
14	873930600	Nut, Centerlock 3/8-16
15	873800600	Nut, Hex, Lock Hex w/wsh 3/8-16

KEY NO.	PART NO.	DESCRIPTION
16	532126472	Clip Insulator
17	532122052	Spacer, Retainer
18	532131459	Spring, Extension
19	873800500	Nut
20	532140909	Keeper, Belt LH
21	819111116	Washer Nut Lock Hex w/Ins. 5/6-18
22	532123404	Keeper Frame Ground Drive Belt
23	532142240	Keeper, Belt LH Front
26	532140913	Keeper, Belt
27	532140914	Spacer
28	532139123	Pulley, V-Idler
30	873800500	Nut Lock Hex w/Ins. 5/16-18
31	819111216	Washer 11/32 x 3/4 x 16 Ga.
32	872140620	Carriage Bolt
33	532000160	Spacer
34	872140506	Carriage Bolt

NOTE: All component dimensions given in U.S. inches
1 inch = 25.4 mm

HARDWARE SHOWN LARGER FOR EASIER IDENTIFICATION

**12.5 HP 38" TRACTOR-MODEL NO. LRH125 (HN125HR38B), PRODUCT NO. 954 00 06-22
 MOWER LIFT LEVER**



KEY PART DESCRIPTION
 NO. NO.

1	532126470	Clip, Insulated
2	532122018	Bracket, Mower Clutch
3	874780408	Bolt, Hex Head, Fin. 1/4-20 UNC x 1/2 Grade 5
4	873930600	Nut, Centerlock
5	532132552	Assembly, Clutch Lever
6	532106451	Bolt, Shoulder
7	532141435	Assembly, Mower Clutch Arm
8	874930624	Bolt, Hex Head 3/8-16 UNC x 1-1/2
10	876020412	Pin, Cotter 1/8 x 3/4
12	532122027	Handle, Lift Lever
13	532136658	Assembly, Lift Handle
14	532133939	Spring, Compression
15	819131616	Washer 13/32 x 1 x 11 Gauge
18	532135107	Trunnion, Threaded 3/8-16
19	873680400	Nut, Crownlock 1/4-20

KEY PART DESCRIPTION
 NO. NO.

20	874760644	Bolt, Hex Head, Fin. 3/8-16 UNC x 2-3/4
22	532132561	Bracket, Lift Lever
23	876020312	Pin, Cotter 3/32 x 3/4
24	532007672	Washer 25/64 x 1-1/4 x 12 Gauge
25	532121933	Tube, Spacer
27	532121466	Knob
30	532135039	Rod, Tension, Clutch
31	873800600	Nut Lock Hex w/wsh 3/8 - 16
32	532133435	Spring, Extension, Return
33	532062333	Washer .390 x 1.437 x .074
34	873800500	Nut, Lock Hx w/Ins 5/16-18
35	532133603	Cap, Vinyl, Red
36	872140506	Bolt, Carriage 5/16-18 x 3/4
37	873680600	Nut Crownlock 3/8-16

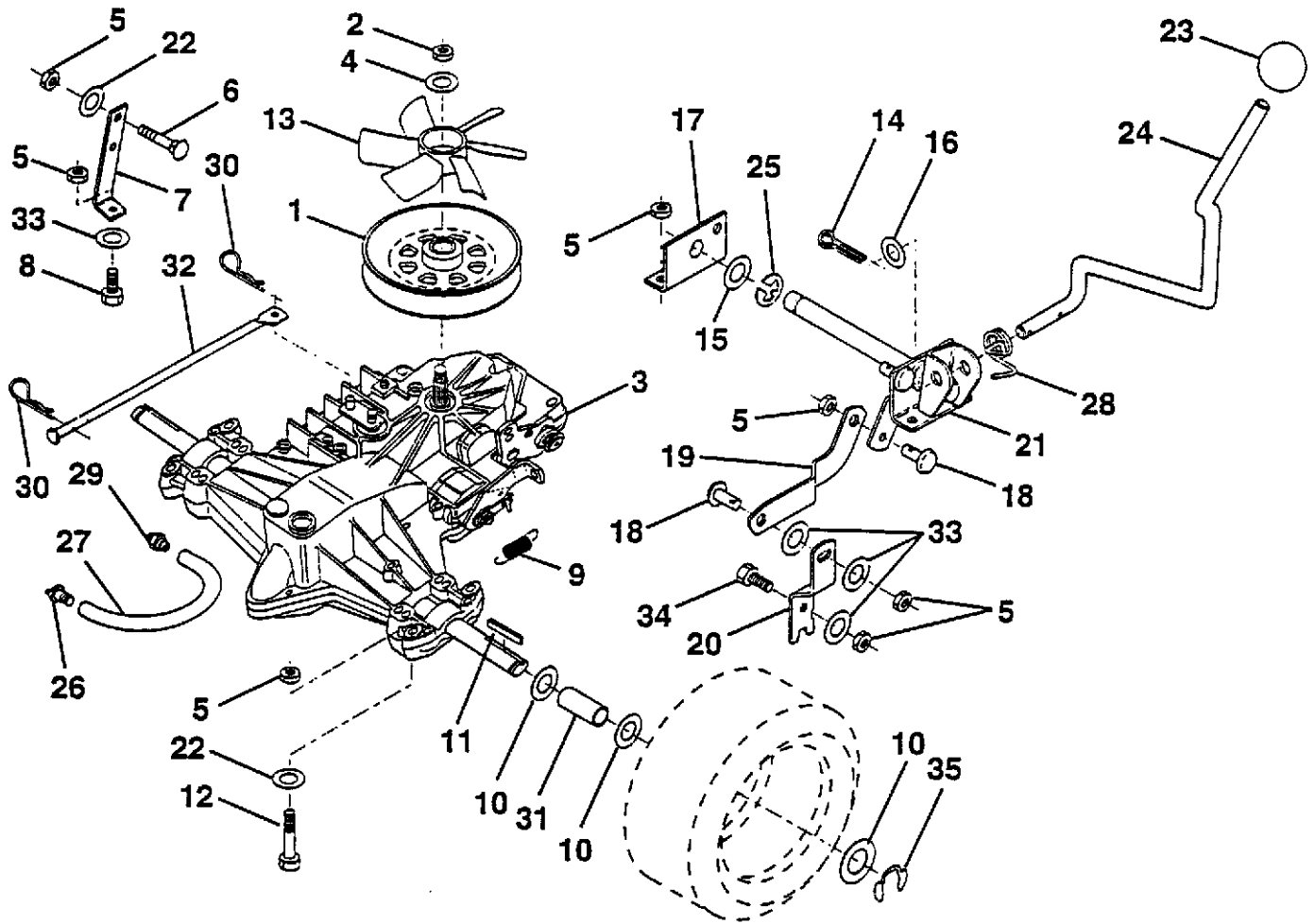
NOTE: All component dimensions given in U.S. inches
 1 inch = 25.4 mm

HARDWARE SHOWN LARGER FOR EASIER IDENTIFICATION

www.mymowerparts.com

REPAIR PARTS

12.5 HP 38" TRACTOR-MODEL NO. LRH125 (HN125HR38B), PRODUCT NO. 954 00 06-22
TRANSAXLE



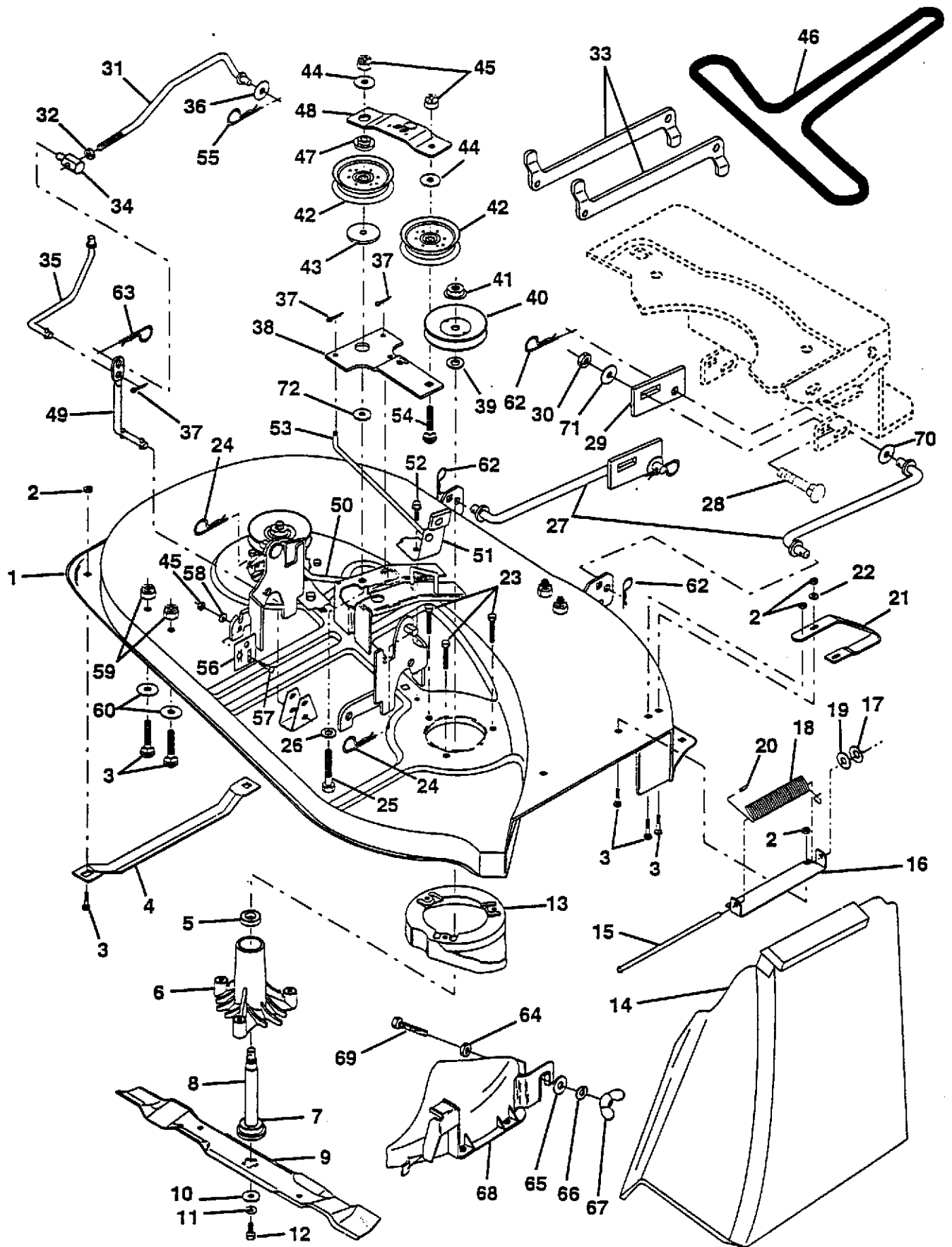
KEY NO.	PART NO.	DESCRIPTION
1	532140779	Pulley
2	532009204	Nut Lock 1/2-20 UNF x 3/4 x 7/16
3	532140607	Transaxle, Hydro 0310-0500
4	819171912	Washer 17/32 x 1-3/16 x 12 Ga.
5	873800500	Nut Lock Hex w/lns. 5/16-18
6	872140506	Bolt, Carriage
7	532140774	Strap, Torque
8	874760524	Bolt Fin Hex 5/16-18 x 1-1/2
9	532110422	Spring Brake
10	532121749	Washer 25/32 x 1-1/4 x 16 Gauge
11	532123583	Key, Square
12	874760540	Bolt, Hex Head 5/16-18 x 2-1/2
13	532140778	Fan, Transaxle, Hydro
14	871620416	Pin, Cotter 1/8 x 1
15	819212013	Washer 21/32 x 1-1/4 x 13 Ga.
16	819171216	Washer 17/32 x 3/4 x 16 Ga.
17	532140763	Support, Shift Handle

KEY NO.	PART NO.	DESCRIPTION
18	532140769	Pivot Pin
19	532140767	Link, Shift
20	532140773	Lever, Shift
21	532140764	Pivot Shaft Assembly
22	819111116	Washer 11/32 x 11/16 x 16 Ga.
23	532140845	Knob, Shifter
24	532140765	Rod, Shifter
25	812000002	E-Ring
26	-----	Cap, Vent Hose
27	532142564	Hose, Vent
28	532140772	Spring, Torsion
29	-----	Nipple, Vent Hose
30	532124788	Retainer Spring
31	532121199	Spacer
32	532140912	Actuator, Bypass, Hydro
33	819111216	Washer 11/32 x 3/4 16 Ga.
34	874760516	Bolt Hex Hd. 5/16-18 x 1
35	812000001	E-Ring

NOTE: All component dimensions given in U.S. inches
1 inch = 25.4 mm

HARDWARE SHOWN LARGER FOR EASIER IDENTIFICATION

For Husqvarna Parts Call 606-678-9623 or 606-561-4983
REPAIR PARTS
12.5 HP 38" TRACTOR-MODEL NO. LRH125 (HN125HR38B), PRODUCT NO. 954 00 06-22
MOWER DECK



REPAIR PARTS
12.5 HP 38" TRACTOR-MODEL NO. LRH125 (HN125HR38B), PRODUCT NO. 954 00 06-22
MOWER DECK

KEY NO.	PART NO.	DESCRIPTION	KEY NO.	PART NO.	DESCRIPTION
1	532142830	Mower Deck Assembly	40	532129206	Pulley, Mandrel
2	873800500	Nut, Lock Hx w/Ins 5/16-18	41	532137266	Nut, Flangelock 9/16
3	872140506	Bolt, Carriage 5/16-18 x 3/4	42	532121316	Pulley, Flat Idler
4	532125074	Runner, L.H.	43	532122052	Spacer, Retainer
5	532110485	Bearing	44	819131612	Washer 13/32 x 1 x 12 Gauge
6	532128774	Housing, Mandrel	45	873680600	Nut, Crownlock 3/8-16
7	532129895	Bearing	46	532126520	Belt
8	532137645	Shaft and Bearing Assembly, Mandrel (Includes Key Number 7)	47	532133502	Spacer, Idler Arm
9	532134148	Blade	48	532133503	Stiffener, Idler Arm
10	532140296	Washer, Hardened	49	532133551	Rod, Pivot
11	810030600	Washer, Lock 3/8	50	532131289	Rod, Brake, L.H.
12	532850857	Bolt, Hex 3/8-24 x 1-1/4 Grade 8	51	532130840	Brake Assembly
13	532140329	Stripper, Mower, Vented	52	817490512	Screw, Hex Washer Head, Thd., Roll. 5/16-18 x 3/4
14	532106736	Shield, Deflector	53	532131288	Rod, Brake, R.H.
15	532106735	Rod, Hinge	54	872110614	Bolt, Carriage 3/8-16 x 1-3/4 Grade 5
16	532137607	Bracket Assembly, Deflector	55	532124961	Spring, Retainer
17	532110452	Pushnut	56	532136782	Adjustment Plate, Rear Link, L.H.
18	532123713	Spring, Deflector	57	872140608	Bolt, Carriage 3/8-16 x 1
19	819111016	Washer 11/32 x 5/8 x 16 Gauge	58	819131212	Washer 13/32 x 3/4 x 12 Gauge
20	532105304	Cap, Sleeve	59	873800500	Locknut, Hex, with Washer Insert 5/16-18
21	532128772	Runner, R.H.	60	819111112	Washer 11/32 x 11/16 x 12 Gauge
22	819111216	Washer 11/32 x 3/4 x 16 Gauge	62	532124660	Retainer Spring
23	532138776	Screw Thdrol Hex Head Zinc MWR	63	532124788	Retainer Spring
24	532124670	Retainer, Spring	64	873930600	Nut, Centerlock 3/8 - 16
25	874600636	Bolt Hex 3/8-16 x 2-1/4	65	819132016	Washer 13/32 x 1-1/4 x 16 Ga.
26	819131612	Washer 13/32 x 1 x 12 Gauge	66	810040600	Washer Lock 3/8
27	532139756	Link Assembly, Front	67	532135651	Nut Wing
28	872140608	Bolt RDHD SQNK 3/8 - 16 x 1	68	532132803	Cover Asm Mulching
29	532139757	Plate Slide Link	69	874930620	Bolt 3/8 - 16 x 1-1/4
30	873800600	Nut, Lock Hex w/washer 3/8 - 16	70	819162016	Washer 1/2 x 1-1/4 x 16 Ga.
31	532140915	Clutch Rod, Primary	71	819131610	Washer Flat 13/32 x 1 x 10 Ga.
32	873350600	Nut, Hex, Jam 3/8-16	72	532133943	Washer Hardened
33	532132559	Arm, Suspension, Rear	--	532130794	Mandrel Assembly (Includes Key Numbers 5-8, 10-12, 39 and 41)
34	532133604	Trunnion 3/8-16	--	532142836	Mower Deck, Complete (Std. Deck Order Mulcher Plate Components Separately Key Nos. 64-69)
35	532132554	Clutch Rod, Secondary			
36	819131316	Washer 13/32 x 13/16 x 16 Gauge			
37	876020312	Pin, Cotter 3/32 x 3/4			
38	532133840	Idler Arm			
39	532129963	Washer .150 Thick			

NOTE: All component dimensions given in U.S. inches
 1 inch = 25.4 mm

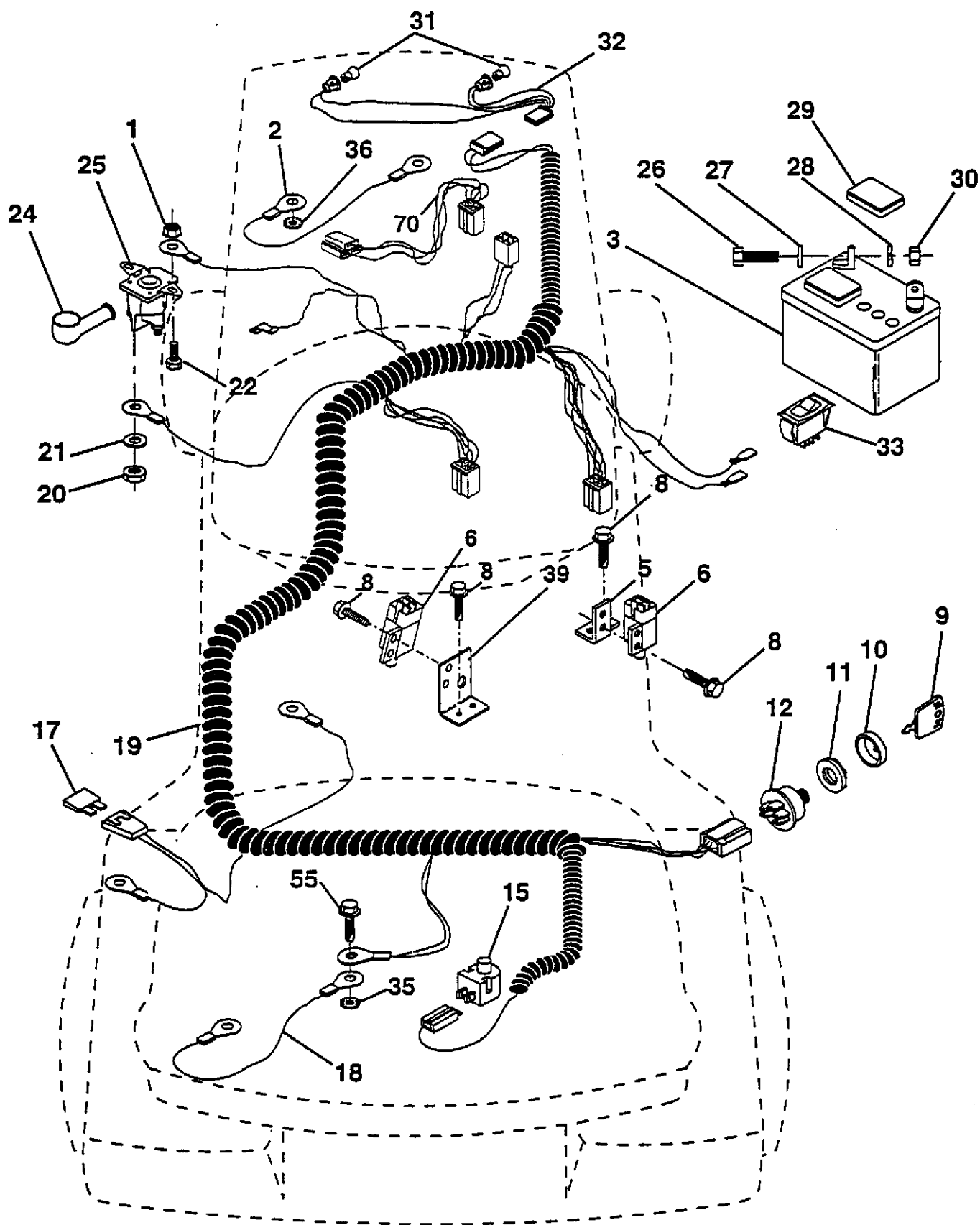
HARDWARE SHOWN LARGER FOR EASIER IDENTIFICATION

For Husqvarna Parts Call 606-678-9623 or 606-561-4983

REPAIR PARTS

12.5 HP 38" TRACTOR-MODEL NO. LRH125 (HN125HR38B), PRODUCT NO. 954 00 06-22

ELECTRICAL



For Husqvarna Parts Call 606-678-9623 or 606-561-4983

REPAIR PARTS

12.5 HP 38" TRACTOR-MODEL NO. LRH125 (HN125HR38B), PRODUCT NO. 954 00 06-22

ELECTRICAL

KEY NO.	PART NO.	DESCRIPTION
1	873510400	Nut, Hex, Keps 1/4-20
2	532108423	Assembly, Cable
3	532133909	Battery
5	532108236	Bracket, Switch
6	532109553	Switch, Interlock, 4 Terminal
8	817021008	Screw, Hex Head, Self-Tapping #10-24 x 1/2
9	532140401	Key, Molded
10	532141226	Cover, Ignition Key
11	532140400	Nut, Ignition
12	532140399	Switch, Ignition
15	532121305	Switch, Plunger
17	532108824	Fuse
18	532128353	Assembly, Cable
19	532143132	Harness, Ignition
20	873350400	Nut, Hex, Jam 1/4-20
21	810090400	Washer, Lock 1/4
22	874780408	Bolt, Hex, Fin. 1/4-20 UNC x 1/2 Grade 5
24	532131563	Cover, Terminal
25	532138406	Solenoid
26	874760412	Bolt, Hex Head 1/4-20 UNC x 3/4
27	819091016	Washer 9/32 x 5/8 x 16 Gauge
28	810040400	Washer, Lock 1/4
29	532121264	Cap, Battery
30	873220400	Nut, Hex, Fin. 1/4-20 UNC
31	532004152	Bulb, Light
32	532142881	Harness, Headlight
33	532110712	Switch, Light
35	811050500	Washer Lock Ext. Tooth 5/16
36	811150400	Washer, Lock, Internal Tooth 1/4
39	532141735	Bracket Switch Clutch
55	817490508	Screw Thdrol 5/16 - 18 x 1/2
70	532144784	Engine Harness Adapter

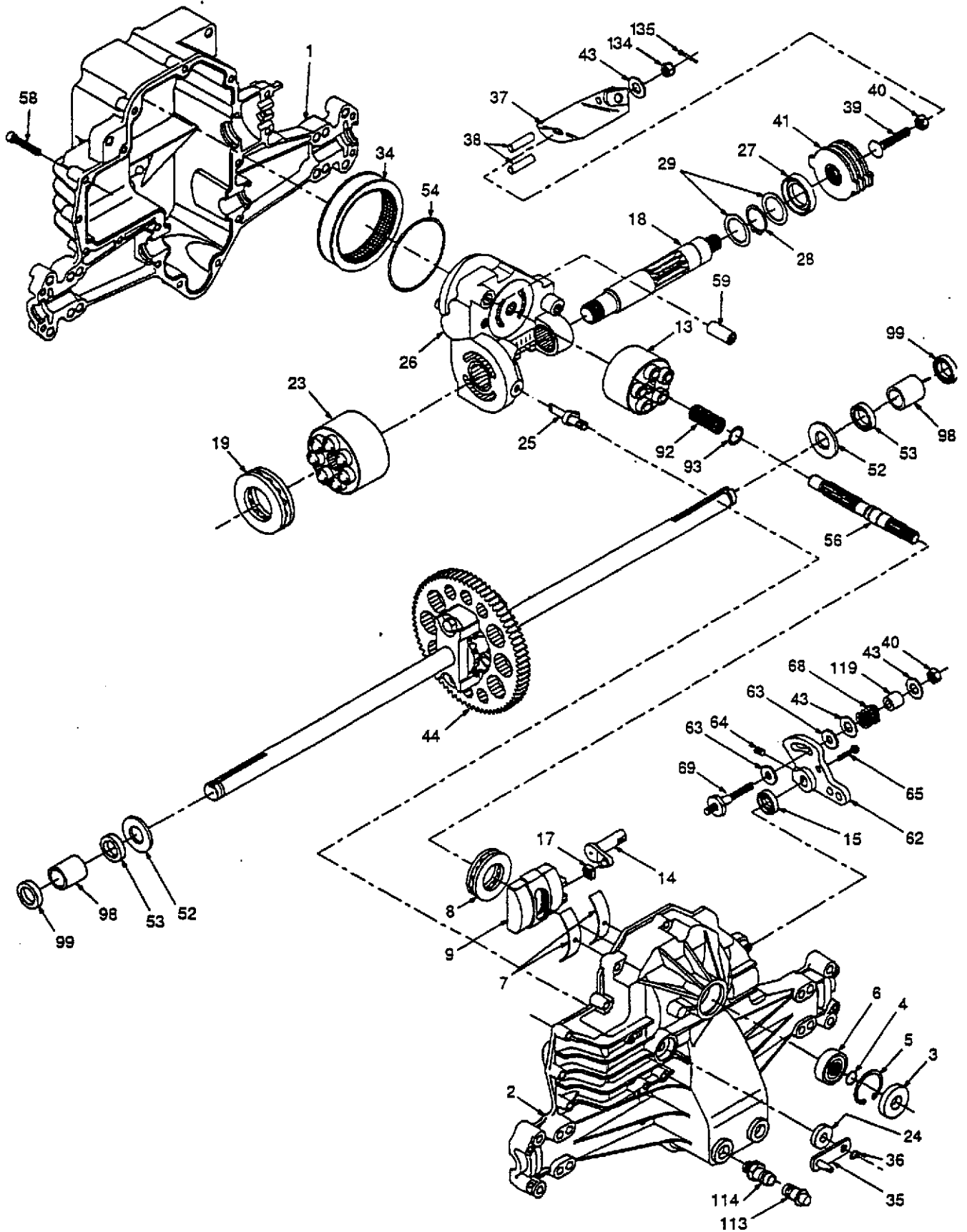
NOTE: All component dimensions given in U.S. inches
1 inch = 25.4 mm

HARDWARE SHOWN LARGER FOR EASIER IDENTIFICATION

www.mymowerparts.com

For Husqvarna Parts Call 606-678-9623 or 606-561-4983
REPAIR PARTS

**12.5 HP 38" TRACTOR-MODEL NO. LRH125 (HN125HR38B), PRODUCT NO. 954 00 06-22
TRANSAXLE HYDROGEAR, MODEL NO. 319-0500**



REPAIR PARTS
12.5 HP 38" TRACTOR-MODEL NO. LRH125 (HN125HR38B), PRODUCT NO. 954 00 06-22
TRANSAXLE HYDROGEAR, MODEL NO. 319-0500

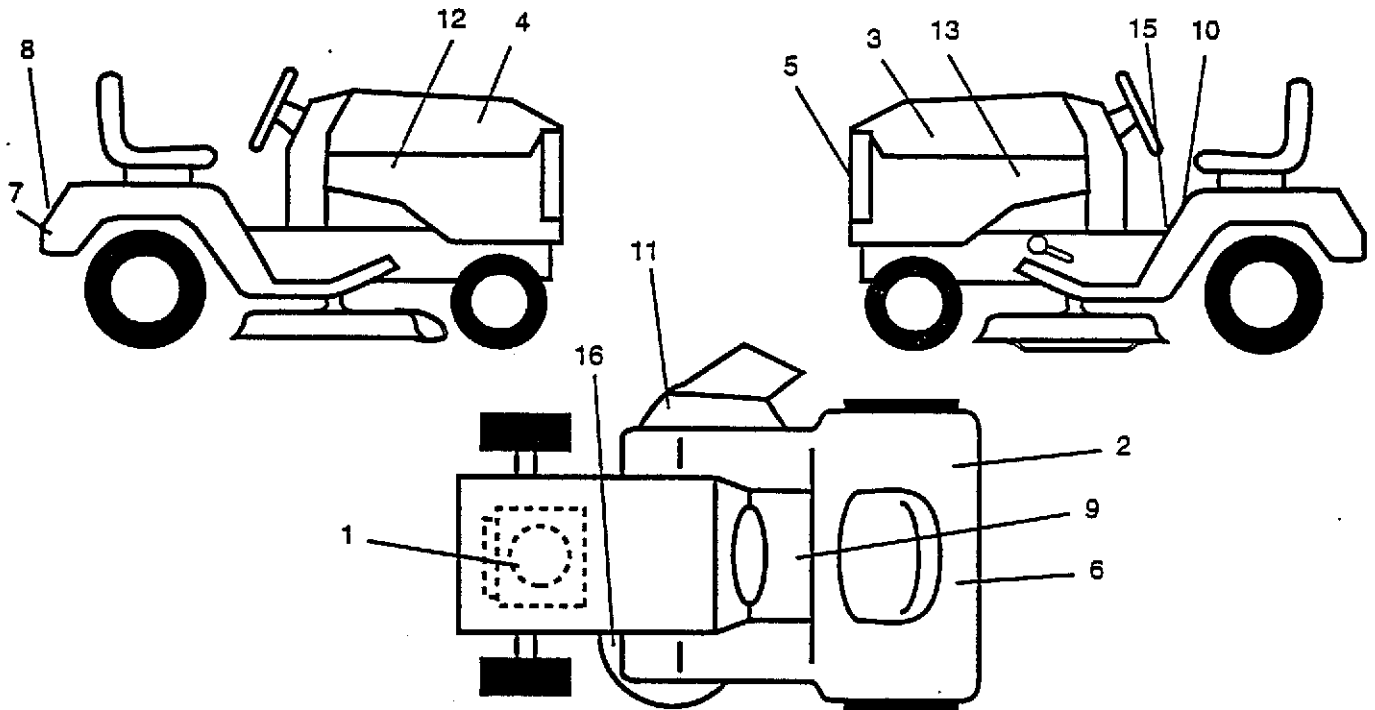
KEY PART NO. NO.	DESCRIPTION	KEY PART NO. NO.	DESCRIPTION
1 44863RM	Housing, Lower	40 50108	Locknut, Hex 5/16-24 UNJC
2 70122	Assembly, Upper Housing	41 70135	Brake Rotor/Stator Kit
3 9008000-0128	Seal, Lip	43 44130	Washer 7/16 x 7/8 x .060
4 2003016	Ring, Wire Retaining	44 70126	Differential Assembly
5 2003052	Ring, Retaining	52 44875	Washer 3/4 x 1.5 x .13
6 2003043	Bearing, Shaft Ball	53 45076	Seal .75 x 1.25 x .250
7 2003023	Bearing, Cradle	54 45077	O-Ring .103 x 2.987 ID
8 2003044	Bearing, Thrust 30 x 52 x 13	56 50005	Shaft, Input
9 2003087	Swashplate, Variable	58 44876	Bolt 1/4-20 x 1.38
13 70079	Block, Cylinder Assembly	59 50002	Pin .5 OD x .43 ID x .750
14 2003005	Arm, Trunnion	62 50254	Arm, Control
15 9008000-0126	Seal, Lip	63 50281	Puck, Dampener
17 2000015	Guide, Slot	64 50018	Set Screw
18 2003557	Shaft, Motor	65 50014	Bolt #8-32 x .875
19 50019	Bearing, Thrust 42 x 68 x 16	68 50277	Spring
23 70082	Block, Cylinder Assembly	69 50284	Stud 5/16-24
24 45074	Seal, Lip 10 x 25 x 7	92 2003014	Spring, Block
25 2003555	Actuator, Bypass	93 2003017	Washer, Block Thrust
26 70133	Center Section Assembly Kit	98 50137	Sleeve Bearing
27 45075	Seal, Lip 26 x 42 x 8	99 50119	Seal, Wiper
28 50007	Ring, Retaining	113 70109	Cap, Vent Assembly
29 44872	Washer 26 x 35 x 1	114 70110	Fitting, O-Ring Assembly
34 44964	Oil Filter Element	119 50278	Spacer
35 50270	Arm, Bypass	134 44142	Nut, Castle 5/16-24
36 44870	Ring, Retaining	135 44101	Pin, Cotter
37 23710	Arm, Actuating		
38 44891	Pin, Actuating		
39 50004	Bolt 5/16-24 x 1-3/4		

NOTE: All component dimensions given in U.S. inches
 1 inch = 25.4 mm

For Husqvarna Parts Call 606-678-9623 or 606-561-4983

REPAIR PARTS

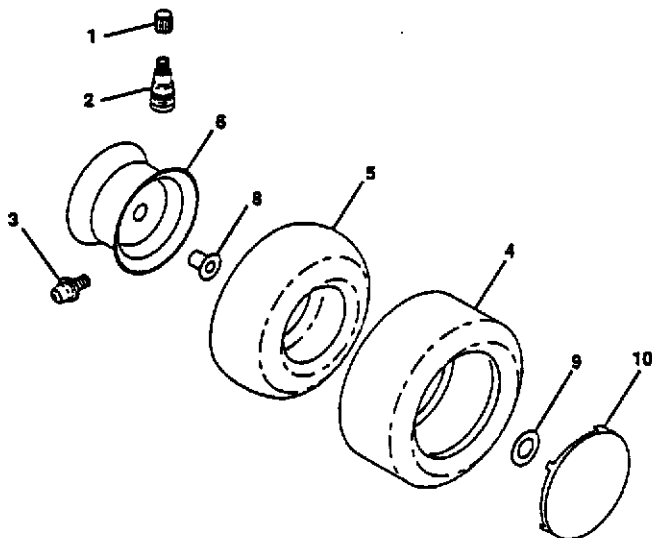
12.5 HP 38" TRACTOR-MODEL NO. LRH125 (HN125HR38B), PRODUCT NO. 954 00 06-22
DECALS



KEY NO.	PART NO.	DESCRIPTION	KEY NO.	PART NO.	DESCRIPTION
1	532140013	Decal, Engine, HP	9	532142337	Decal, Cold Start
2	532135073	Decal Indicator Height	10	532133795	Decal, Fender, Caution
3	532140206	Decal, Hood, L.H.	11	532137259	Decal, Warning, Multi-Language
4	532140205	Decal, Hood, R.H.	12	532140848	Decal, Hood, Insert, R.H.
5	532140213	Decal, Logo, Grill	13	532140849	Decal, Hood, Insert, L.H.
6	532121549	Decal, Caution Battery	15	532138269	Decal, Instruction, Operating
7	532141484	Decal, Drawbar	16	532136832	Decal, V-Belt Schematic
8	532131582	Decal, Logo, Fender	--	532144798	Manual, Owner's (Eng.)
			--	532144799	Manual, Owner's (Fre.)

Available accessories not included with tractor:
-- CER 38 Grass Catcher

WHEELS & TIRES



KEY NO.	PART NO.	DESCRIPTION
1	532059192	Cap, Valve Stem
2	532065139	Stem, Valve
3	532124957	Fitting, Grease (Front Wheels Only)
4	532137422	Tire, Front
	532132703	Tire, Rear
5	532059904	Tube, Front Tire
	532008134	Tube, Rear Tire
		(Optional - Service Item Only)
		(Optional - Service Item Only)
6	532142537	Rim, Front
	532140453	Rim, Rear
8	532124959	Bearing Flange
9	532121748	Washer 25/32 x 1-5/8 x 16 Gauge
10	532124577	Wheel cover
	532124578	Wheel cover

NOTE: All component dimensions given in U.S. inches
1 inch = 25.4 mm