



Illustrated Parts List	1994-01
	19402009

# LT 125

(HC12542A) 954000772

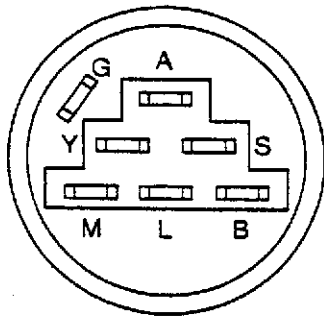
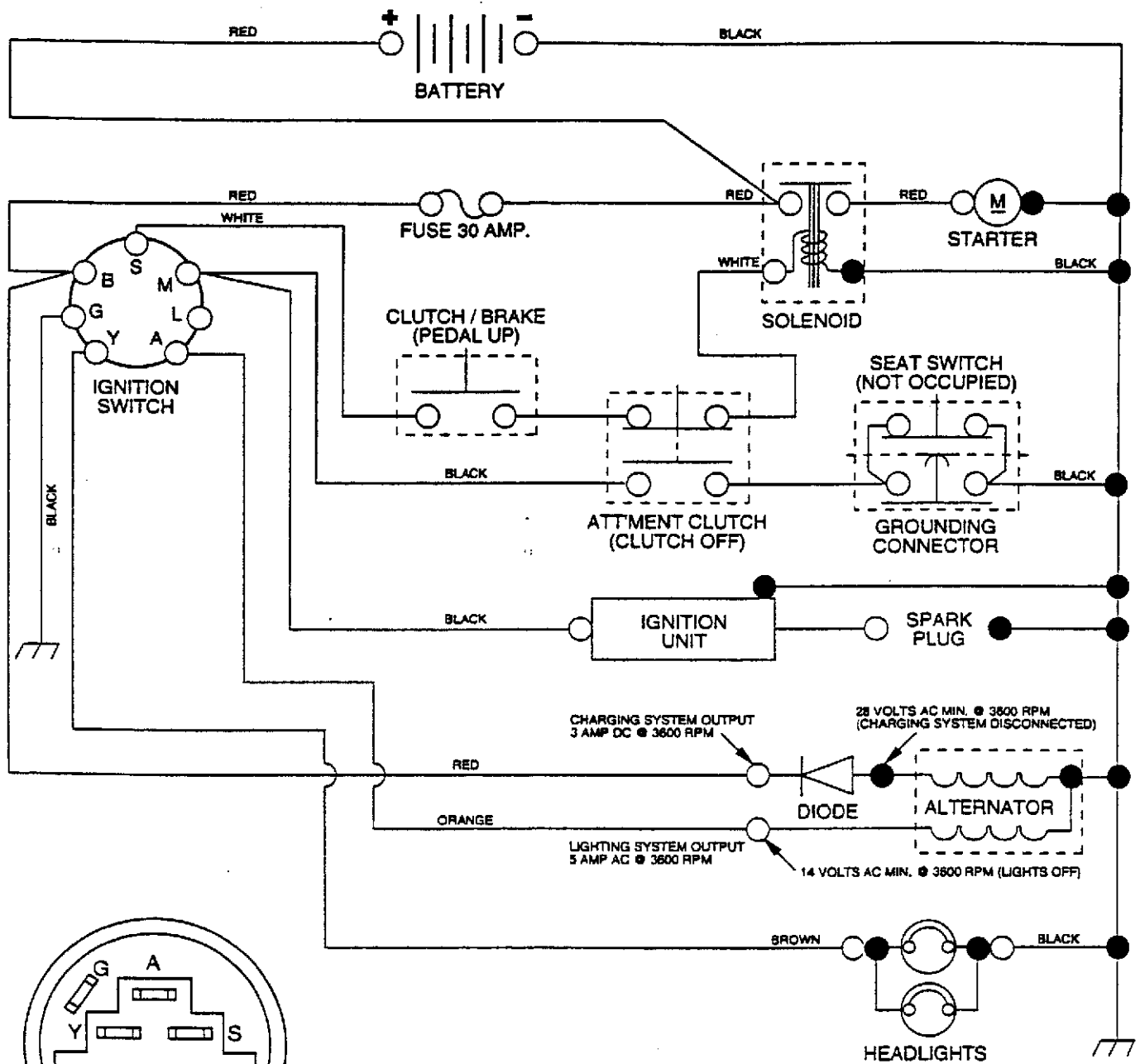


**Repair Parts Manual**

**Ride Mower**



12.5 HP 42" TRACTOR - MODEL NO. LT125 (HC12542A) PRODUCT NO. 954 00 07-72  
SCHEMATIC



IGNITION SWITCH

POSITION	CIRCUIT	"MAKE"
OFF	G + M + L	NONE
RUN/LIGHT	B + L	A + Y
RUN	B + L	NONE
START	B + L + S	NONE

WIRING INSULATED CLIPS

NOTE: IF WIRING INSULATED CLIPS WERE REMOVED FOR SERVICING OF UNIT, THEY SHOULD BE REPLACED TO PROPERLY SECURE YOUR WIRING

NOTE

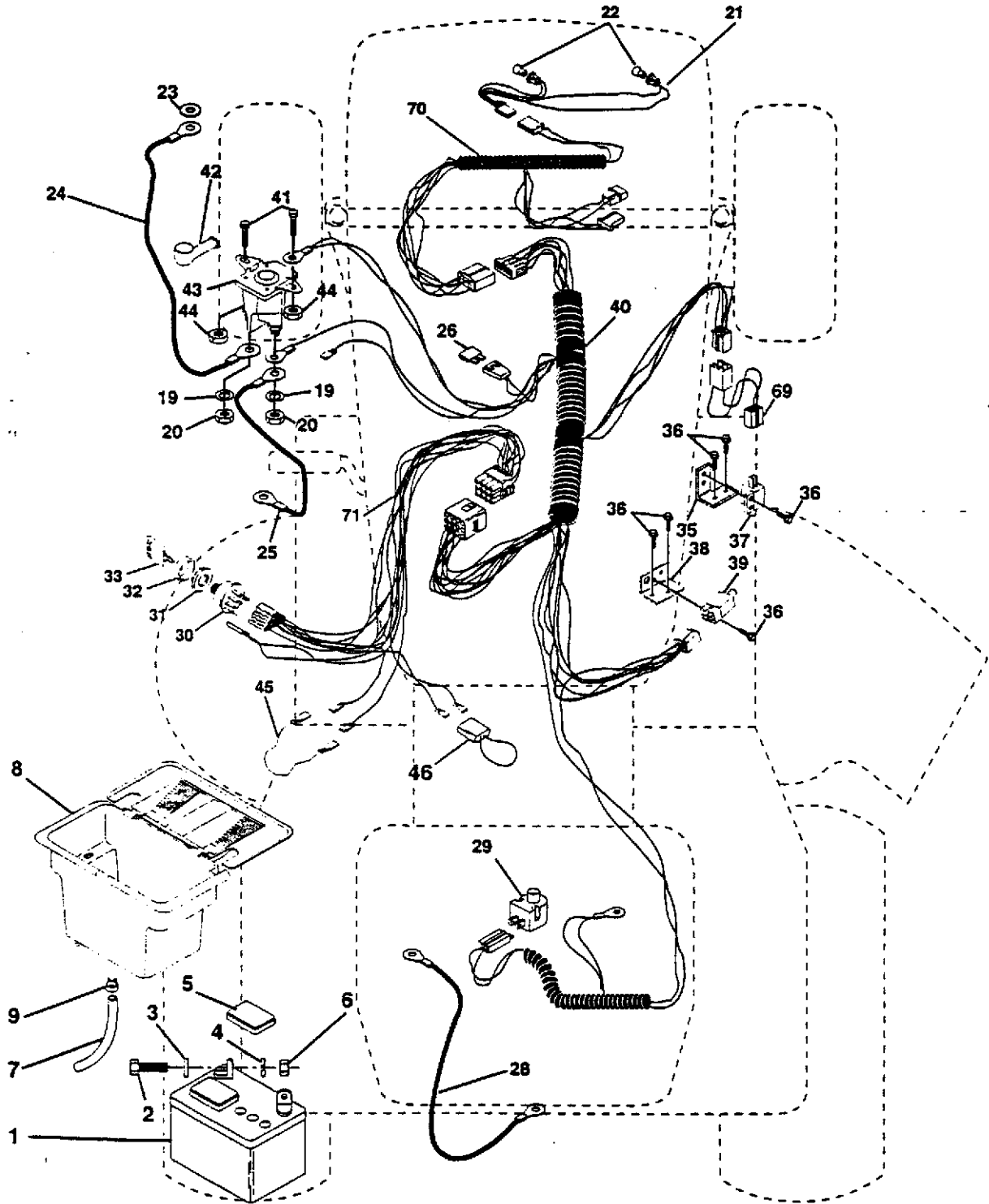
YOUR TRACTOR IS EQUIPPED WITH A SPECIAL ALTERNATOR SYSTEM. THE LIGHTS ARE NOT CONNECTED TO THE BATTERY, BUT HAVE THEIR OWN ELECTRICAL SOURCE. BECAUSE OF THIS, THE BRIGHTNESS OF THE LIGHTS WILL CHANGE WITH ENGINE SPEED. AT IDLE THE LIGHTS WILL DIM. AS THE ENGINE IS SPEEDED UP, THE LIGHTS WILL BECOME THEIR BRIGHTEST.

● NON-REMOVABLE CONNECTIONS

○ REMOVABLE CONNECTIONS

# REPAIR PARTS

12.5 HP 42" TRACTOR - MODEL NO. LT125 (HC12542A) PRODUCT NO. 954 00 07-72  
ELECTRICAL



## REPAIR PARTS

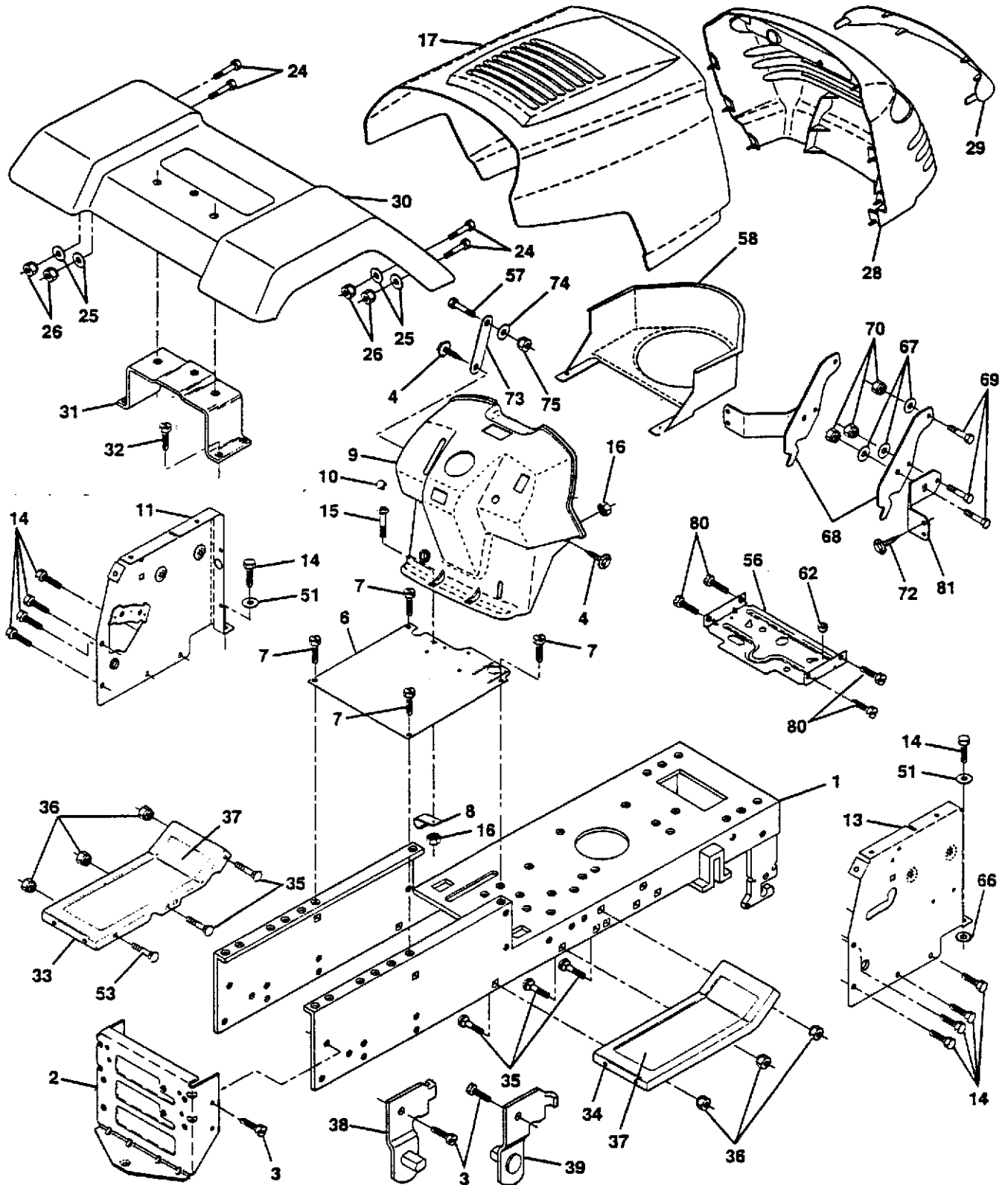
12.5 HP 42" TRACTOR - MODEL NO. LT125 (HC12542A) PRODUCT NO. 954 00 07-72  
ELECTRICAL

KEY NO.	PART NO.	DESCRIPTION
1	532121265	Battery 12 Volt 25 AMP
2	874760412	Bolt Hex Hd 1/4-20unc X 3/4
3	819091016	Washer 9/32 X 5/8 X 16 Ga.
4	810040400	Washer Lock Hvy Helical 1/4
5	532121264	Caps Battery 20/25/30 AMP
6	873220400	Nut Fin Hex 1/4-20 Unc
7	532109238	Tube Plastic 12"
8	532129965	Case Battery Hng Mech W/lid
9	532109596	Clamp Hose Olive
19	810090400	Washer Lock 1/4
20	873350400	Nut Jam Hex 1/4-20 Unc
21	532136850	Harness Asm Light W/4152j
22	532004152	Bulb Light #1156
23	811150400	Washer Lock Internal Tooth 1/4
24	532124780	Cable Battery 6 Ga 11" red
25	532132202	Cable Battery 6 Ga 43" red
26	532108824	Fuse 30 AMP Auto Green
28	532124773	Cable Ground 6 Ga 12" black
29	532121305	Switch Plunger Nc Gray
30	532140301	Switch Ign 4 pos w/lights
31	532124211	Nut Ignition
32	532141226	Cover Sw Ignition
33	532122147	Key Ign Modleded Generic
35	532108236	Bracket Switch Clutch
36	817021008	Screw Tap Hex #10-24unc X 1/2
37	532104445	Switch Intlk Clutch Red 2 Term
38	532140336	Bracket, Switch, Interlock
39	532109553	Switch Intlk Clutch Red 4 Term
40	532140707	Harness Chassis LT PL Mech
41	871110408	Bolt Blk Fin Hex 1/4 - 20 x 1/2
42	532131563	Cover Terminal Red
43	532138406	Solenoid
44	873640400	Nut Keps Hex 1/4-20 Unc
45	532140844	Adapter Ammeter Rectangular
46	532141940	Protection Wire Loop
69	532140660	Harness Adapter Serv Geardrive
70	532141163	Harness, Eng.
71	532140710	Harness Dash Lt Private Lbl

**NOTE:** All component dimensions given in U.S. inches.  
1 inch = 25.4 mm.

# REPAIR PARTS

12.5 HP 42" TRACTOR - MODEL NO. LT125 (HC12542A) PRODUCT NO. 954 00 07-72  
CHASSIS AND ENCLOSURES



## REPAIR PARTS

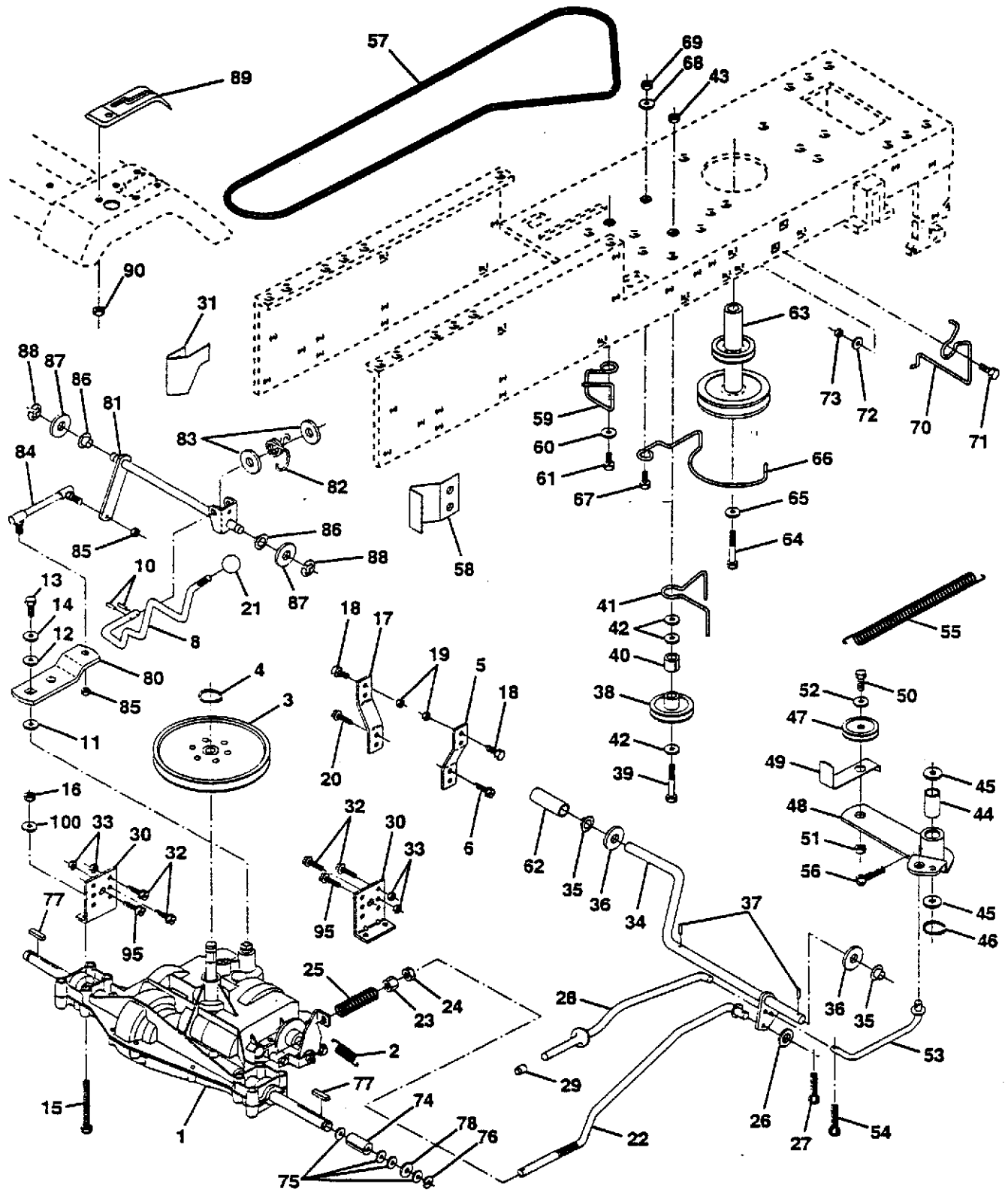
12.5 HP 42" TRACTOR - MODEL NO. LT125 (HC12542A) PRODUCT NO. 954 00 07-72  
CHASSIS AND ENCLOSURES

KEY NO.	PART NO.	DESCRIPTION
1	532140341	Chassis Weldment 11ga
2	532140356	Drawbar, Stretch
3	817490612	Screw Thdrol 3/8-16x3/4 Ty-tt
4	817490412	Screw Hexwsh. Thdrol 1/4-20 x 3/4
6	532140169	Saddle LT Fender Shift
7	817490612	Screw Thdrol 3/8-16x3/4 Ty-tt
8	532124996	Clip Line Fuel 13/32 Mtg Hole
9	532140072	Dash Private Label
10	532005479	Plug Button
11	532140815	Panel Pnt Dash Lh
13	532140178	Panel Dash Rh Weldment
14	817490608	Screw Thdrol 3/8-16x1/2 Ty-tt
15	874180412	Screw Mach Cr 1/4-20 uncx3/4
16	873510400	Nut Keps Hex 1/4-20
17	532144320	Hood Paint Steel Private Label
24	874780612	Bolt Fin Hex 3/8-16unc X 1 Gr. 5
25	819131312	Washer 13/32 X 13/16 X 12 Ga
26	873800600	Nut Lock Hex W/Ins 3/8-16 Unc
28	532140141	Grille Private Label
29	532140273	Lens Grille Private Label
30	532143050	Fender Pnt
31	532136619	Bracket Pnt Fender
32	817490612	Screw Thdrol 3/8-16x3/4 Ty-tt
33	532124899	Footrest Pnt Lh
34	532124914	Footrest Pnt Rh
35	872110606	Bolt Rdhd Sht Sqnk 3/8-16 X3/4
36	736800600	Nut Hex Lock W/Insert 3/8-16 Unc
37	532133671	Pad Footrest
38	532139886	Bracket, Asm. Pivot, L.H., Mower Rear
39	532139887	Bracket, Asm. Pivot, R.H., Mower Rear
51	819131216	Washer 13/32 x 3/4 x 16 Ga.
53	872140608	Bolt Carriage 3/8-16 x 1
56	532140281	Support Battery
57	874780412	Screw Hex 1/4-20 x 3/4
58	532140806	Air Duct P/L
62	532124028	Bushing
66	811050600	Washer Lock Ext. Tooth 3/8
67	819091416	Washer 9/32 x 7/8 x 16 Ga.
68	532140219	Hinge Pickoff Hood
69	874760412	Bolt Hex Hd 1/4-20
70	873680400	Nut, Crownlock 1/4-20
72	817030814	Screw Lock Spider #8 x 7/8
73	532142779	Brace
74	819091416	Washer 9/32 x 7/8 x 16 Ga.
75	873800400	Nut Lock Hex W/Ins 1/4-20
80	817490512	Screw Thdrol 5/16-18 X3/4
81	532143007	Bracket, Grill

**NOTE:** All component dimensions given in U.S. inches.  
1 inch = 25.4 mm

# REPAIR PARTS

12.5 HP 42" TRACTOR - MODEL NO. LT125 (HC12542A) PRODUCT NO. 954 00 07-72  
DRIVE





## REPAIR PARTS

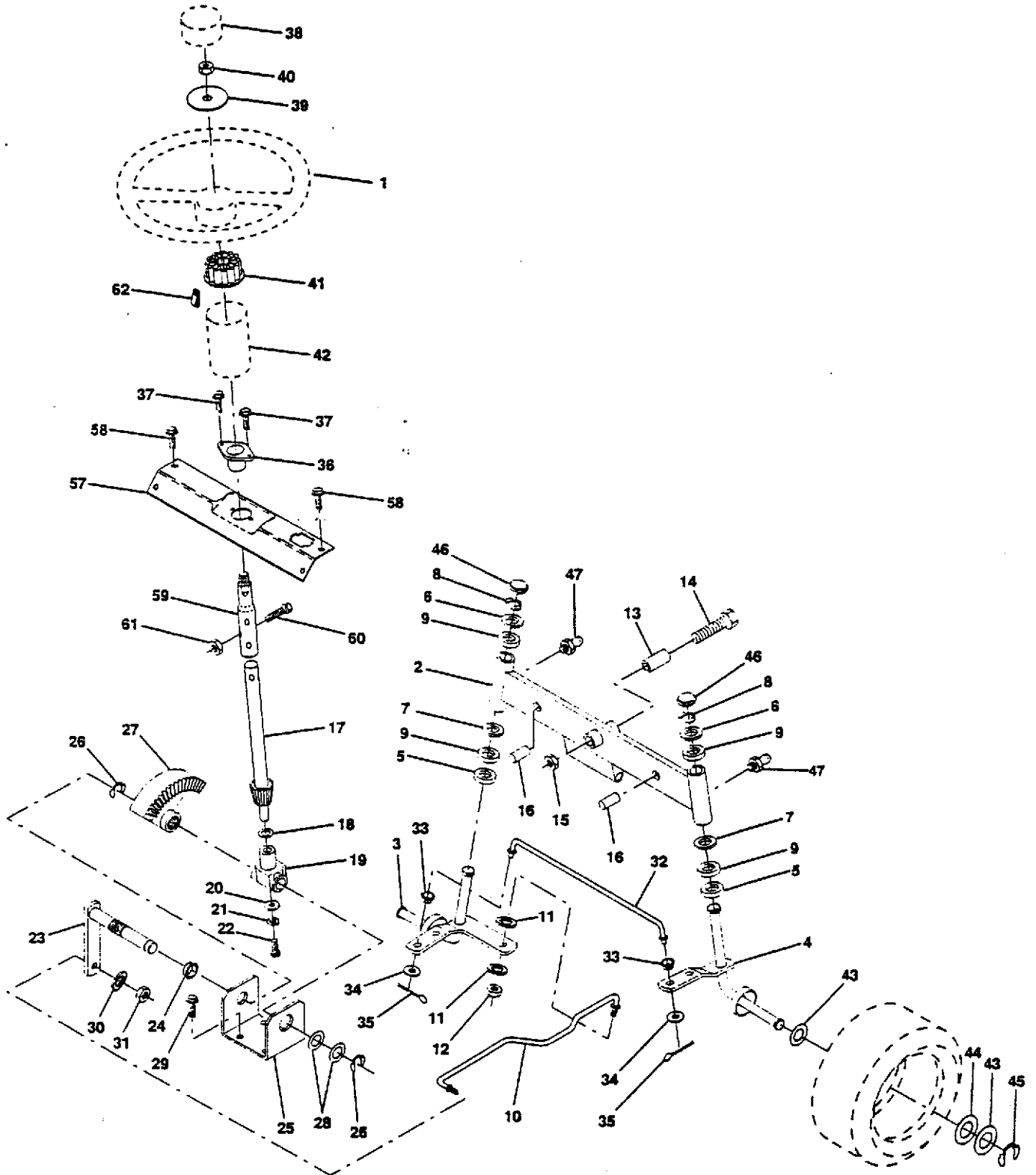
12.5 HP 42" TRACTOR - MODEL NO. LT125 (HC12542A) PRODUCT NO. 954 00 07-72  
DRIVE

KEY PART NO. NO.	DESCRIPTION	KEY PART NO. NO.	DESCRIPTION		
1	532142603	Transaxle 6sp Model No. 4360-79	42	819131312	Washer 13/32 X 13/16 X 12 Ga
2	532110422	Spring Return Brake T/a Zinc	43	873800600	Nut Lock Hex W/Ins 3/8-16 Unc
3	532123666	Pulley Transaxle 18" tires	44	532105706	Bearing Nyl 503 X 628 X 1 25
4	812000028	Ring Retainer # 5100-62	45	532110812	Washer Hardened
5	532121520	Strap Torque 30 Degrees	46	812000039	Ring Klip #15304-50
6	817490512	Screw Thdrol 5/16-18 X 3/4 TYT	47	532127783	Pulley Idler V Groove Plastic
7	532130802	Bracket Saddle Shift	48	532123789	Bellcrank Asm Clutch
8	532131679	Rod Shifter	49	532123205	Retainer Belt Style Spring
9	819151216	Washer 15/32 x 3/4 x 16 Ga.	50	874760624	Bolt Hex Hd 3/8-16unc X 1-1/2
10	876020416	Pin Cotter 1/8 X 1 Cad	51	873680600	Nut Crownlock 3/8-16 Unc
11	532105701	Washer Plate Shf 388 Sq Hole	52	819131316	Washer 13/32 X 13/16 X 16 Ga
12	819091210	Washer 9/32 X 3/4 X 10 Ga	53	532105710	Link Clutch 7 66
13	871040412	Bolt Fin Hex 1/4-28unfx3/4 Gr8	54	876020412	Pin Cotter 1/8 X 3/4 Cad
14	810040400	Washer Lock Hvy Helical 1/4	55	532105709	Spring Return Clutch 6 75
15	874780544	Bolt Fin Hex 5/16 - 18 UNC x 2.75	56	876020412	Pin Cotter 1/8 X 3/4 Cad
16	873800500	Nut Hex W/Ins Lock 5/16-18	57	532130801	V-Belt Ground Drive 95 25 42"
17	532121520	Strap Torque LT	58	532127274	Keeper Belt RH LT Pnt/zinc 16g
18	874780616	Bolt Fin Hex 3/8-16unc X 1 Gr. 5	59	532140312	Keeper Belt Chassis Span Ctr
19	873800600	Nut Hex Lock W/Ins 3/8-16 Unc	60	819131312	Washer 13/32 X 13/16 X 12 Ga
20	817490512	Screw Thdrol 5/16-18 X 3/4 TYT	61	817490612	Screw Thdrol 3/8-16x3/4 Ty-tt
21	532121274	Knob Duckhead 1/2-13 UNC	62	532124872	Cover Pedal Blk Round
22	532130804	Rod Brake Blk Zinc 27 326	63	532140186	Engine Pulley
23	873800600	Nut Hex Hex W/wsh 3/8-16unc	64	871170764	Bolt Hex 7/16-20x4 Gr 5
24	873350600	Nut Hex Jam 3/8-16 Unc	65	810040700	Washer Lock Hvy Hicl Spr. 7/16
25	532106888	Spring Rod Brake 2 00 Zinc	66	532129921	Keeper Belt Engine LH LT
26	819131316	Washer 13/32 X 13/16 X 16 Ga	67	874760616	Bolt Fin Hex 3/8-16unc X 1
27	876020412	Pin Cotter 1/8 X 3/4 Cad	68	819131312	Washer 13/32 X 13/16 X 12 Ga
28	532140448	Rod Brake Parking LT	69	873680600	Nut Crownlock 3/8-16 Unc
29	532071673	Cap Brake Parking Black	70	532134683	Guide Belt Mower Drive RH
30	532130807	Bracket Mtg Transaxle	71	874760616	Bolt Fin Hex 3/8-16unc X 1
31	532127275	Keeper Belt LH LT 14 Ga	72	819132012	Washer 13/32 X 1-1/4 X 12 Ga
32	874760512	Bolt Hex Hd 5/16-18unc X 3/4	73	873680600	Nut Crownlock 3/8-16 Unc
33	873800500	Nut Hex W/Ins Lock 5/16-18	74	532109502	Spacer Axle
34	532122424	Shaft Asm Pedal Foot 1 930	75	532121749	Washer 25/32 X 1 1/4 X 16 Ga.
35	532120183	Bearing Nylon Blk 629 Id	76	812000001	E-ring #5133-75
36	819211616	Washer 21/32 X 1 X 16 Ga	77	532123583	Key Square 2 0 X 1845/ 1865
37	532124963	Pin Roll 3/16 X 1"	78	532121748	Washer 25/32 X 1-5/8 X 16 Ga
38	532123674	Pulley Idler Flat	95	817490612	Screw Thdrol 3/8 - 16 x 3/4
39	874760644	Bolt Fin Hex 3/8-16unc X 2-3/4	100	819111216	Washer 11/32 x 3/4 x 16 Ga.
40	532124965	Spacer Split 395 X 59 Bzp			
41	532109070	Keeper Belt Retainer			

**NOTE:** All component dimensions given in U.S. inches  
1 inch = 25.4 mm

# REPAIR PARTS

12.5 HP 42" TRACTOR - MODEL NO. LT125 (HC12542A) PRODUCT NO. 954 00 07-72  
STEERING ASSEMBLY



## REPAIR PARTS

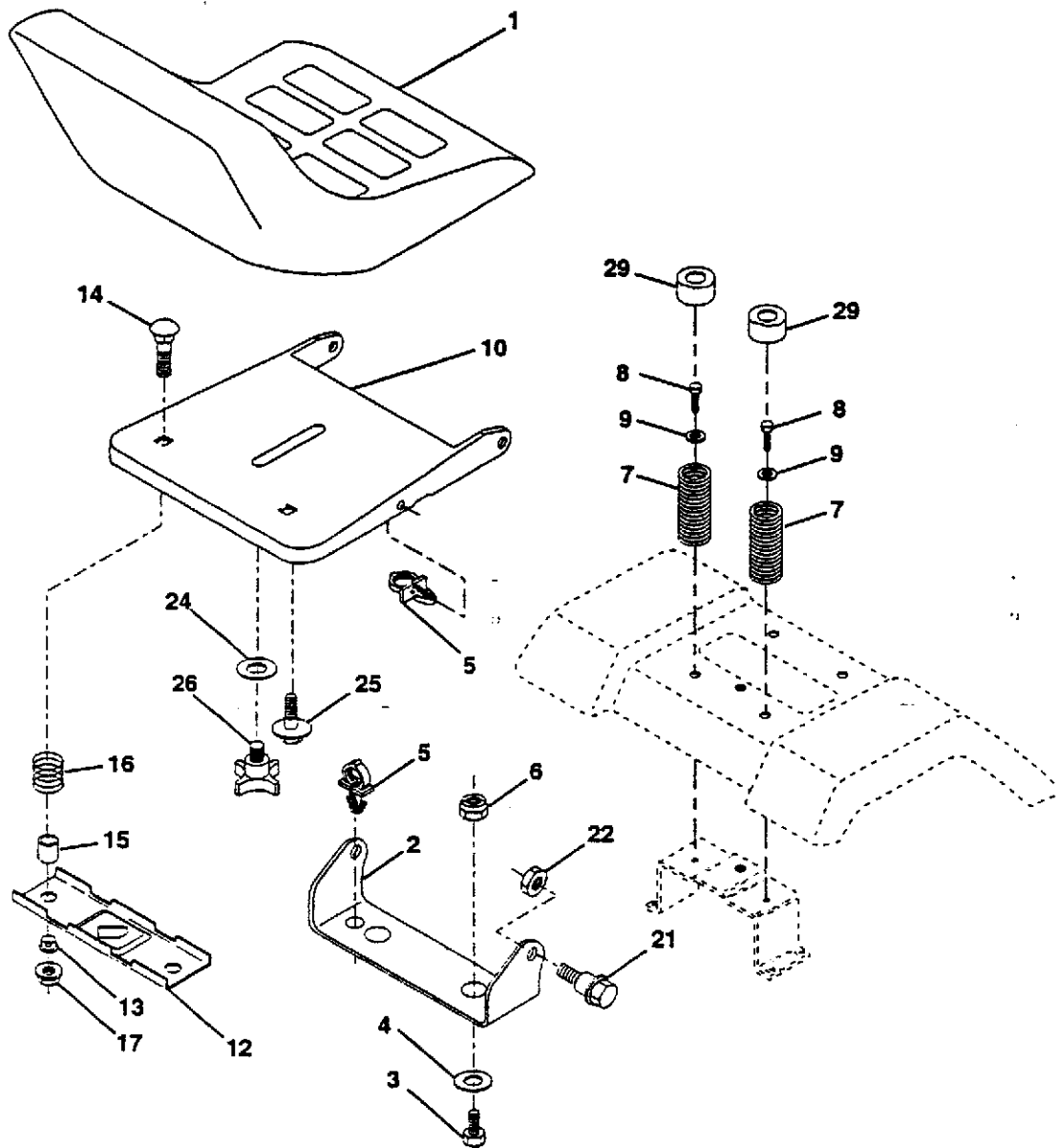
12.5 HP 42" TRACTOR - MODEL NO. LT125 (HC12542A) PRODUCT NO. 954 00 07-72  
STEERING ASSEMBLY

KEY NO.	PART NO.	DESCRIPTION
1	532121472	Wheel Steering Auto Blk
2	532142033	Axle Asm Fr LT W/gzks 38/42
3	532135227	Spindle Asm LH
4	532135228	Spindle Asm RH
5	532124931	Bearing Race Thrust Harden
6	532121748	Washer 25/32 X 1-5/8 X 16 Ga
7	819272016	Washer 27/32 X 1-1/4 X 16 Ga
8	812000029	Ring Klip #t5304-75
9	532124937	Bearing Col Strg Blk
10	532130468	Link Drag Sol Ball Jt 20 064
11	810040600	Washer Lock Hvy Hlcl Spr 3/8
12	873610600	Nut Fin Hex 3/8-24 Unf
13	532110438	Spacer Bearing Axle Front
14	874011056	Bolt Hex 5/8-11 Unc X 3-1/2
15	873901000	Nut Lock Flange 5/8-11 Unc
16	532132624	Pin Axle 5/8 X 1 55/1 54 Lg
17	532140176	Shaft Asm Strg Private Label
18	532057079	Washer Thrust 515x 750x 033
19	532124035	Support Shaft
20	532126684	Washer Shim 1/4 X 5/8 X 062
21	810040400	Washer Lock Hvy Helical 1/4
22	871070410	Screw Hex Socket 1/4-20 X 5/8
23	532127501	Shaft Asm Pittman
24	532109816	Nyliner Snap In
25	532124036	Bracket Steering
26	812000029	Ring Klip #t5304-75
27	532136874	Gear Sector
28	532124931	Bearing Race Thrust Harden
29	817490612	Screw Thdrol 3/8-16x3/4 Ty-tt
30	810040600	Washer Lock Hvy Hlcl Spr 3/8
31	873610600	Nut Fin Hex 3/8-24 Unf
32	532130465	Rod Tie Wire Form 19 75 Mech
33	543126847	Bushing Link Drag Blk LR
34	819131416	Washer 13/32 X 7/8 X 16 Ga
35	876020412	Pin Cotter 1/8 X 3/4 Cad
36	532102803	Bushing Strg
37	817431008	Screw Slftp #10-16 X 1/2 Ty-b
38	532126850	Insert Cap Strg Wh Au
39	819133808	Washer 13/32 X 2-3/8 X 8 Ga
40	532124701	Nut Lock Center 3/8-24unf
41	532104820	Adaptor Wheel Strg 640/ 635id
42	532140216	Boot Steering Shaft
43	532121749	Washer 25/32 X 1 1/4 X 16 Ga
44	532121748	Washer 25/32 X 1-5/8 X 16 Ga
45	812000029	Ring Klip #t5304-75
46	532121232	Cap Spindle Fr Top Blk
47	532124836	Fitting Grease
57	532140172	Support Shaft Steering
58	817490412	Screw Hex Wsh Thdrol 1/4-20 x 3/4
59	532140171	Shaft Extention Steering
60	874780520	Bolt Fin Hex 5/16-18 Unc x 1-1/4
61	873800500	Nut Lock Hex w/lns 5/16-18
62	532140285	Clip Tinnerman

**NOTE:** All component dimensions given in U.S. inches.  
1 inch = 25.4 mm.

# REPAIR PARTS

12.5 HP 42" TRACTOR - MODEL NO. LT125 (HC12542A) PRODUCT NO. 954 00 07-72  
SEAT ASSEMBLY



**KEY PART  
NO. NO.**

**DESCRIPTION**

1	532127426	Seat V250 Blk/bik Std
2	532140551	Bracket Pivot Seat 8 720
3	874760616	Bolt Fin Hex 3/8-16unc X 1
4	819131610	Washer 13/32 X 1 X 10 Ga
5	532140407	Clip Push-In
6	873680600	Nut Crownlock 3/8-16 Unc
7	532124181	Spring Seat Cprsn 2 250 Blk Zi
8	817490616	Screw Thdrol 3/8-16 X 1 Ty-tt
9	819131614	Washer 13/32 X 1 X 14 Ga.
10	532140552	Pan Seat
12	532121246	Bracket Mounting Switch
13	532121248	Bushing Snap Blk Nyl 50 ld
14	872050411	Bolt Rdhd Sht Nk 1/4-20x1-3/8

**KEY PART  
NO. NO.**

**DESCRIPTION**

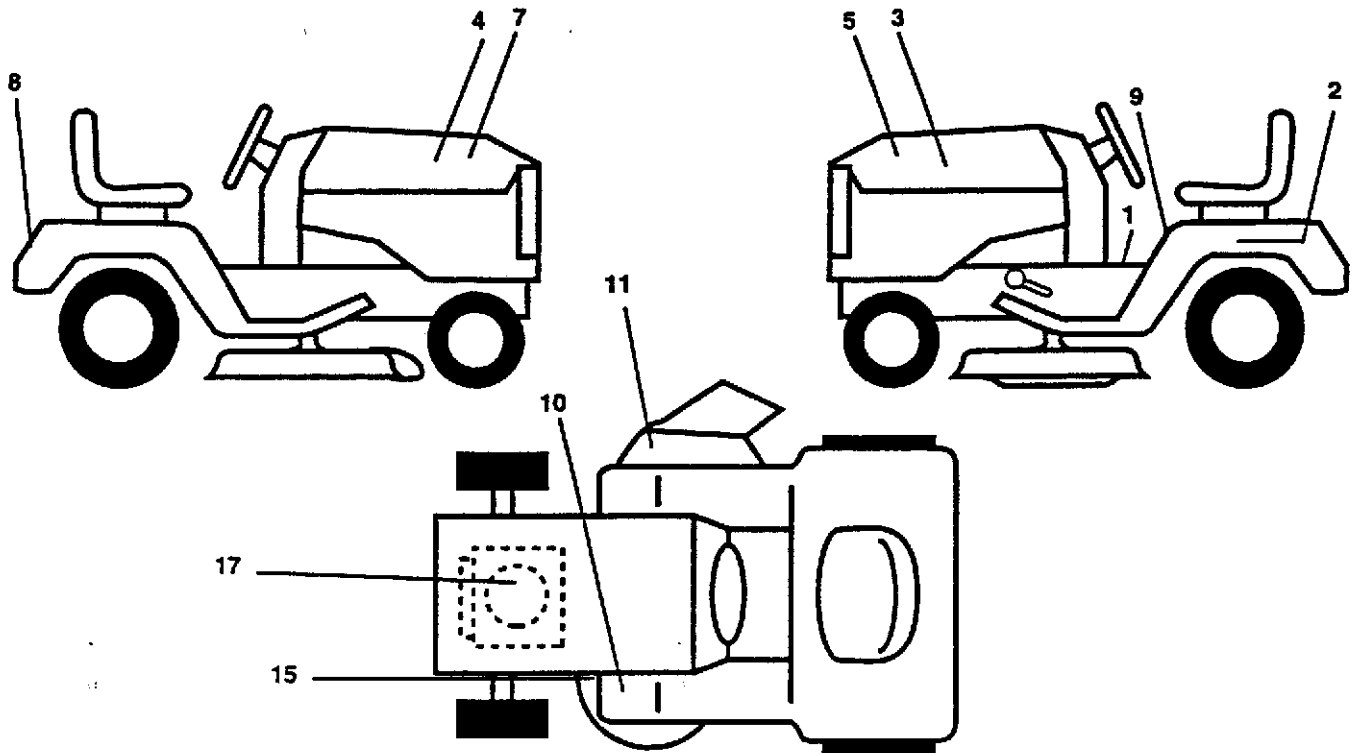
15	532134300	Spacer Split 28x 96 Yel Zinc
16	532121250	Spring Cprsn 1 27 Blk Pnt
17	532123976	Nut Lock 1/4 Lge Fig Gr 5 Zinc
21	532139888	Bolt Shoulder 5/16-18 Unc Blkz
23	874780814	Bjolt Fin Hex 1/2 - 13 x 7/8 Fr. 5
22	873800500	Nut Hex Lock W/Ins 5/16-18
24	819171912	Washer 17/32 X 1-3/16 X 12 Ga.
25	532127018	Bolt Shoulder 5/16-18 X 62
26	810040800	Washer Lock Hvy HLCLSPR 1/2
29	532124238	Cap Spring Seat

**NOTE:** All component dimensions given in U.S. inches.  
1 inch = 25.4 mm

## REPAIR PARTS

12.5 HP 42" TRACTOR - MODEL NO. LT125 (HC12542A) PRODUCT NO. 954 00 07-72

### DECALS



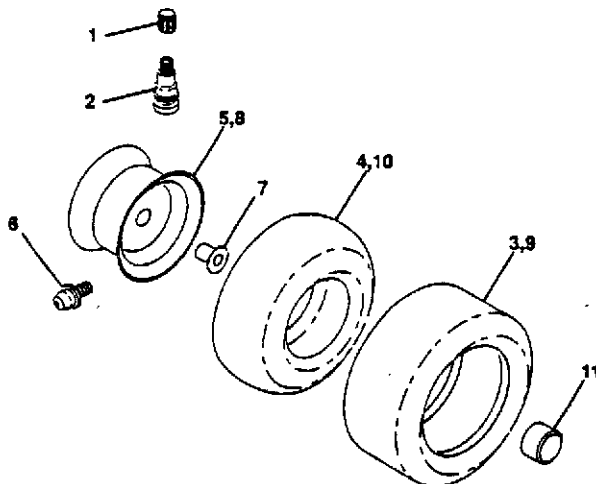
KEY NO.	PART NO.	DESCRIPTION
1	532140820	Decal Instruction Dash Eng/fr
2	532121549	Decal Caution Battery Fr/ger
3	532143608	Decal Hood LH
4	532143609	Decal Hood RH
5	532143628	Decal Ins Hd LH
7	532143627	Decal Ins Hd RH
8	532131582	Decal Fender Logo
9	532133795	Decal Caution Fender Eng/fr
10	532101892	Decal Clutch/brake Eng/fr
11	532137259	Decal Warning Multi-Language

KEY NO.	PART NO.	DESCRIPTION
15	532136830	Decal V-Belt Schematic
17	532129057	Decal HP Engine
--	532138311	Decal Handle Lft Height Adjust
--	532143676	Manual Owner's (English)
--	532143677	Manual Owner's (French)

Available accessories not included with tractor:

--	LBD48	42" Snow Blade
--	LSB42	40" Snow Thrower
--	LC05	33lb. Wheel Wts. (Pair)
--	CH12	Tire Chains (18 x 8.5 x 8)
--	MP42	Mulcher Plate Kit 42"

### WHEELS & TIRES

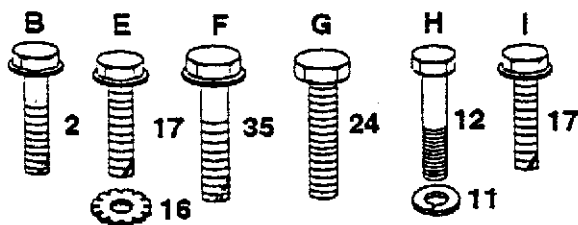
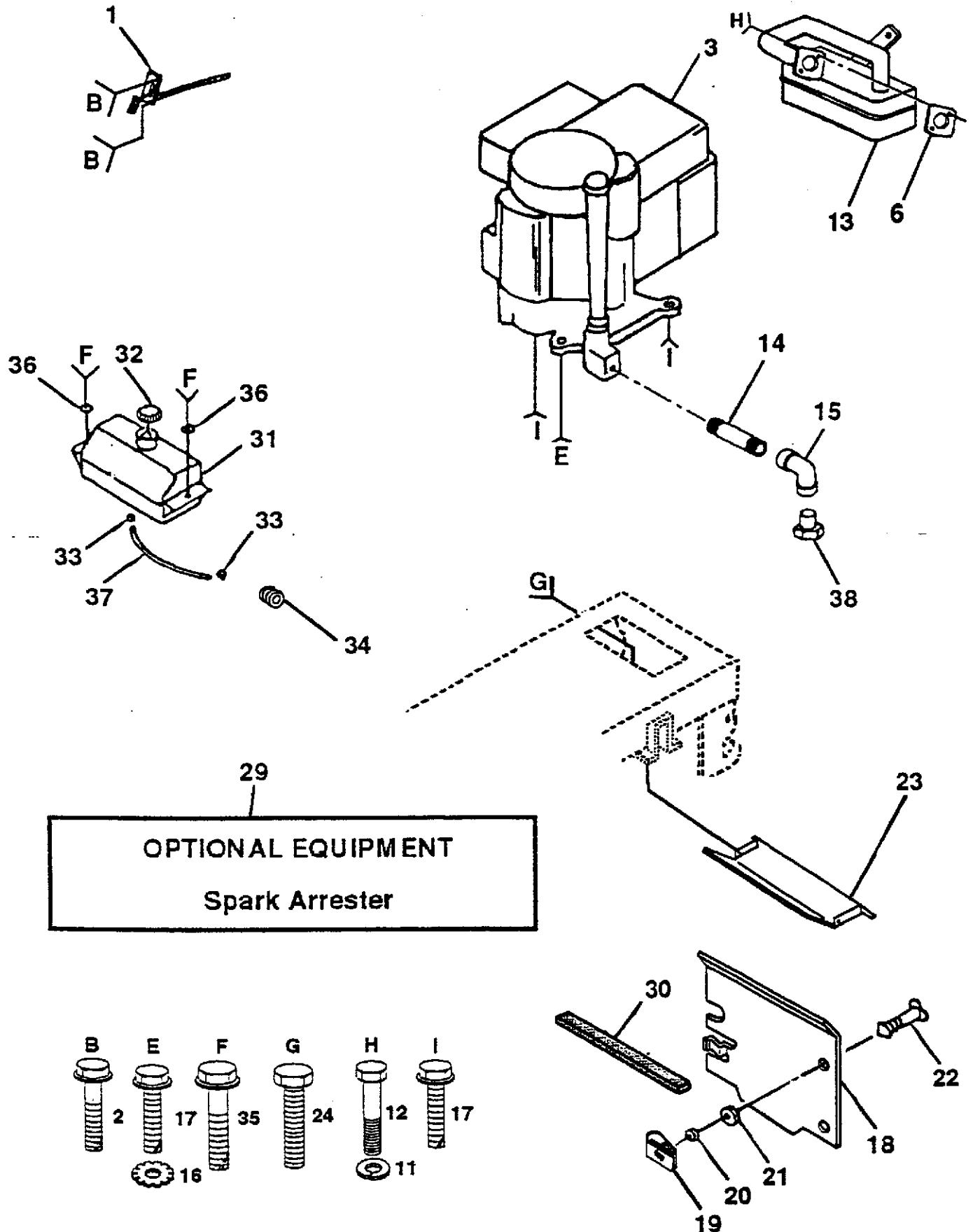


KEY NO.	PART NO.	DESCRIPTION
1	532059192	Cap Valve Tire
2	532065139	Stem Valve
3	532106222	Tire F Ts 15 X 6 0 - 6 Service
4	532059904	Tube Front (Service Item Only)
5	532141446	Rim Asm 6"front White Service
6	532124957	Fitting Grease (Front Wheel Only)
7	532124959	Bearing Flange (Front Wheel Only)
8	532141447	Rim Asm 8"rear White Service
9	532124635	Tire R Ts 18x8 5-8 C Service
10	532124926	Tube Rear (Service Item Only)
11	532104757	Cap Axle Blk 1 50 X 1 00

**NOTE:** All component dimensions given in U.S. inches  
1 inch = 25.4 mm

# REPAIR PARTS

12.5 HP 42" TRACTOR - MODEL NO. LT125 (HC12542A) PRODUCT NO. 954 00 07-72  
ENGINE



## REPAIR PARTS

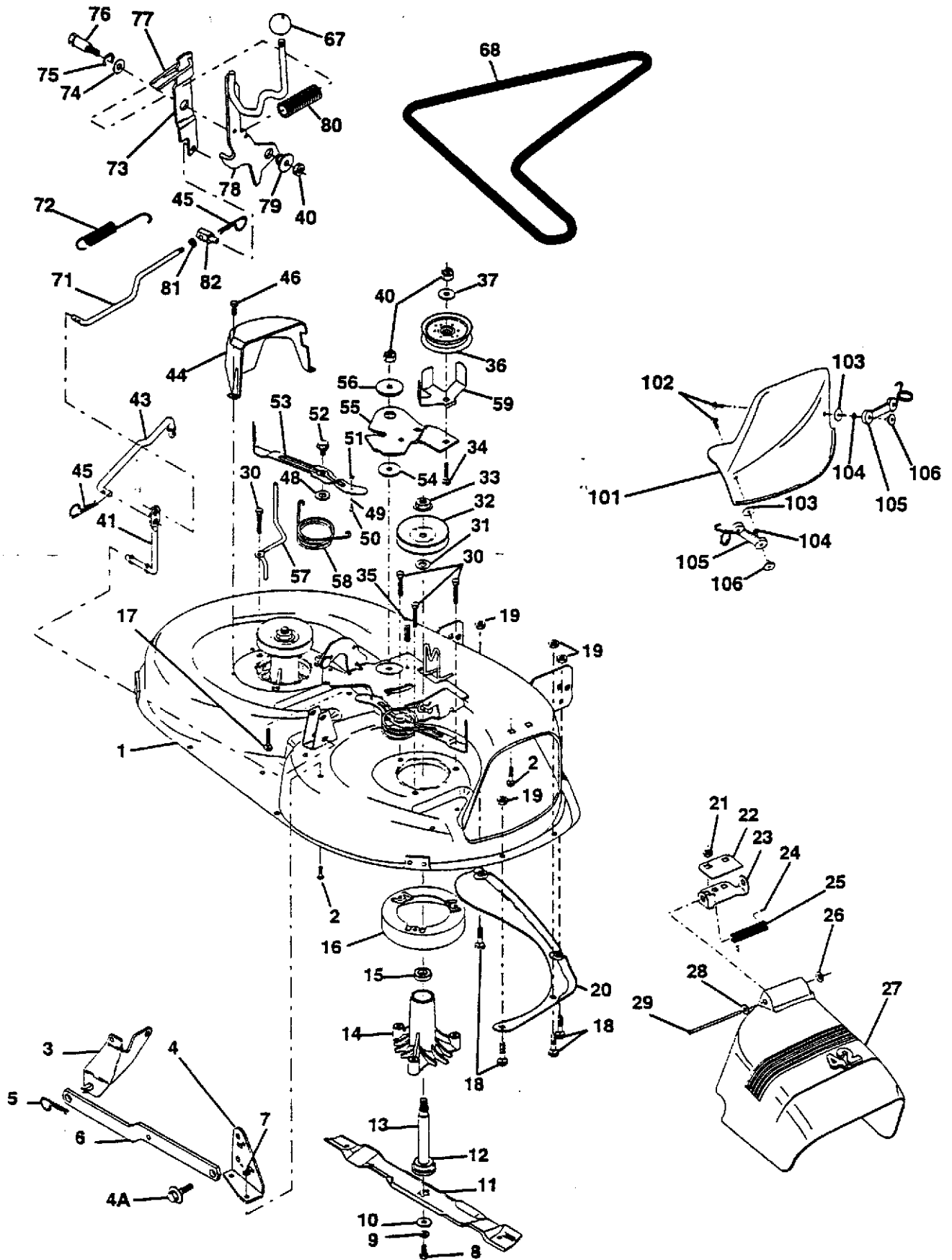
12.5 HP 42" TRACTOR - MODEL NO. LT125 (HC12542A) PRODUCT NO. 954 00 07-72  
ENGINE

KEY NO.	PART NO.	DESCRIPTION
1	532140310	Control Th/ch 23 5 LH Flag
2	817720410	Screw Hex Thd Cut 1/4-20x5/8 T
3	-----	Engine B&S 12.5 ICQ IVT Dual Model No. 286707
6	532125593	Gasket Eng 1 313 Id Tin Plated
11	810040500	Washer Lock Hvy Hlcl Spr 5/16
12	871070512	Screw Hexhd Cap 5/16-18x 3/4
13	532137348	Muffler LT B&S 12/12.5/13HP
14	813280324	Nipple Pipe 3/8 Npt X 3"
15	813200300	Elbow Std 90 Degree 3/8-18 Npt
16	811050600	Washer Lock Ext Tooth 3/8
17	817490620	Screw Thdrol 3/8-16x1-1/4 TYTT
18	532136718	Shield Heat Lt
19	532105839	Receptacle 1/4 turn
20	532105838	Retainer 1/4 turn
21	819091016	Washer 9/32 x 5/8 x 16 Ga.
22	532123650	Stud 1/4 turn
23	532128953	Shield Heat Browning LT/YT
24	817021008	Screw Tap Hex #10-24unc X 1/2
29	532137180	Kit Spark Arrestor (Flat Scrm)
30	532127057	Pinch Weld Hood Black
31	532140280	Tank Fuel Front 2 00
32	532140527	Cap Asm Fuel W/sym Vented
33	532123487	Clamp Hose Black
34	532124028	Bushing Snap Nyl Blk Fuel Line
35	817490412	Screw Hexwsh Thdrol 1/4-20x3/4
36	819091416	Washer 9/32 X 7/8 X 16 Ga
37	532137040	Line Fuel 20"
38	-----	Plug Oil Drain (Order From Engine Manufacturer)

**NOTE:** All component dimensions given in U.S. inches  
1 inch = 25.4 mm

# REPAIR PARTS

12.5 HP 42" TRACTOR - MODEL NO. LT125 (HC12542A) PRODUCT NO. 954 00 07-72  
MOWER DECK





## REPAIR PARTS

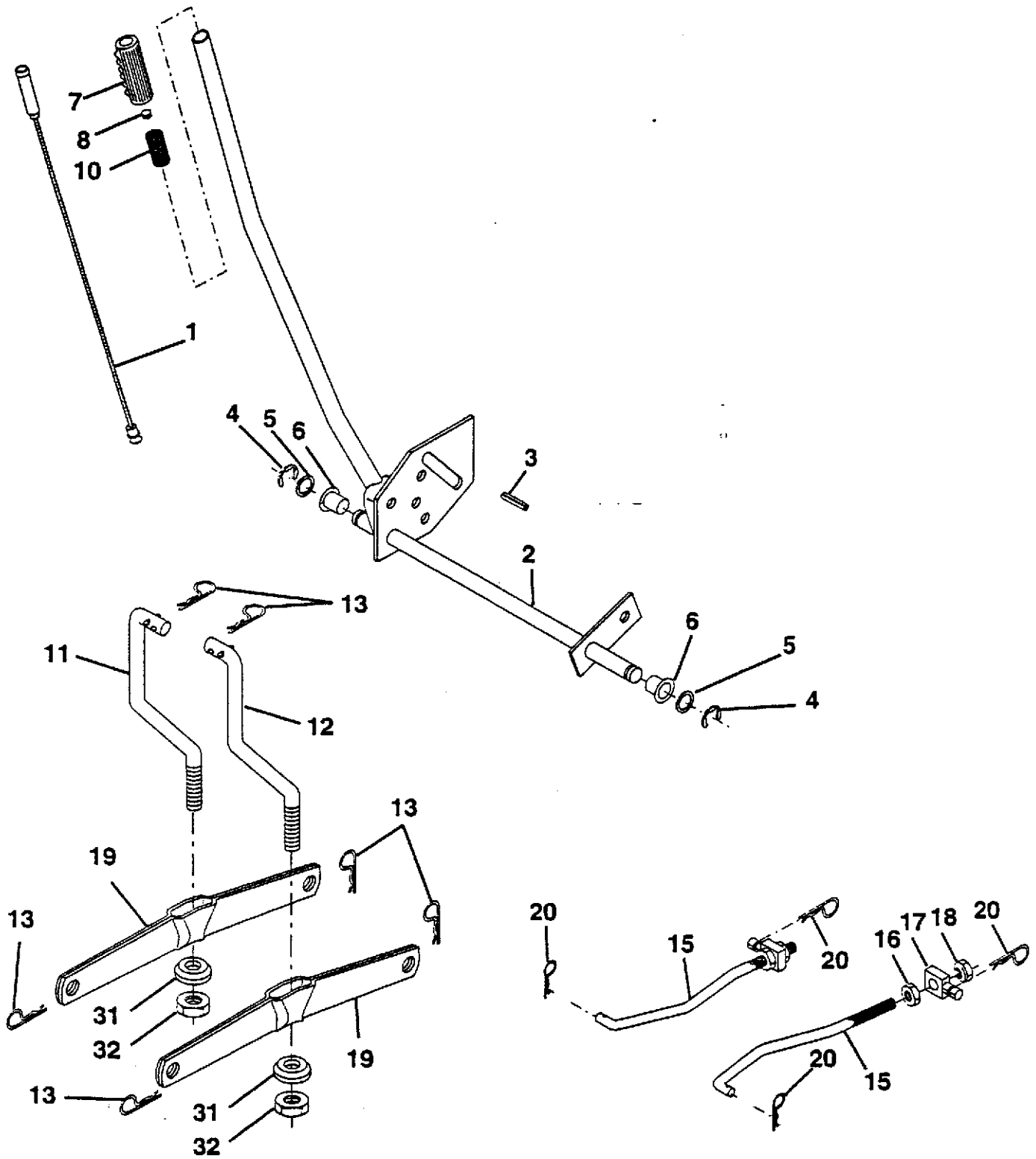
12.5 HP 42" TRACTOR - MODEL NO. LT125 (HC12542A) PRODUCT NO. 954 00 07-72  
MOWER DECK

KEY NO.	PART NO.	DESCRIPTION	KEY NO.	PART NO.	DESCRIPTION
1	532140081	Deck Asm MWR 42*weldment	44	532140088	Guard Mandrel LH Black
2	872140506	Bolt Rdhd Sqnk 5/16-18unc X3/4	45	532124788	Spring Retainer 1" Zinc/cad
3	532138017	Bracket Asm Fr Sway Bar 38/42	46	532137729	Screw Hex Thd Cut 1/4-20x5/8 T
4	532138440	Bracket Asm Deck 42*sway Bar	48	532133944	Washer Hardened Smaller
4A	532132827	Bolt Shoulder	49	532133940	Roller Asm Cam Follower 42*dec
5	532124670	Retainer Spring	50	532131340	Bolt Shldr 10-24 Zinc Gr 5 42"
6	532130832	Arm Suspension Rear	51	532069180	Nut Lock #10-24 Unc
7	873800500	Locknut-hex W/ins 5/16-18unc P	52	532139888	Bolt Shoulder 5/16-18 Unc Blkz
8	532850857	Bolt 3/8 - 24 X 1.25 Gr 8	53	532131845	Arm Asm Pad Brake
9	810030600	Washer Lock Hvy 3/8	54	532133943	Washer Hardened
10	532140296	Washer Hard Blade Mower Vented	55	532140084	Arm Idler 42*mower LT/YT
11	532134149	Blade Mower Mulching 42"	56	532122052	Spacer Retainer Pm Mower
12	532129895	Bearing Ball #6024 (Mandrel)	57	532140090	Keeper Belt LH Front
13	532137645	Shaft Asm W/lower Bearing	58	532140086	Spring Torsion Brakes
14	532128774	Housing Mandrel Vented	59	532141043	Guard TUV Idler
15	532110485	Bearing Ball Mandrel	67	532106933	Knob Rd 1/2-13 Plstc Thds Blk
16	532136929	Stripper Mower Vented	68	532140067	V-Belt Mower 42" 82 625
17	872110610	Bolt Rdhd Sqnk 3/8-16 X 1-1/4	71	532142427	Rod Clutch Primary 38/42
18	872140505	Bolt Rdhd Sqnk 5/16-18 X 5/8	72	532131870	Spring Return
19	873800500	Locknut-hex W/ins 5/16-18unc P	73	532127847	Arm Clutch Secondary
20	532136888	Baffle Vortex 42	74	532121748	Washer 25/32 X 1-5/8 X 16 Ga
21	873800500	Nut Lock Hex W/Ins 5/16-18	75	812000029	Ring Klip #t5304-75
22	532134753	Stiffener Bracket 42*deck	76	532128903	Bolt Shoulder 3/8-16 Unc 1 44
23	532131267	Bracket Deflector Mower 42"	77	532127845	Keeper Spring 4 000
24	532105304	Cap Sleeve 80x 112 Blk Mower	78	532140179	Arm Asm Clutch Primary
25	532123713	Spring Torsion Deflector 2 52	79	532127498	Bushing 747 Od X 794 Lg Brass
26	532110452	Nut Push Phos & Oil	80	532128759	Spring Clutch Mower 2 750 Zinc
27	532130968	Shield Deflector Mower 42" Blk	81	873350600	Nut Hex Jam 3/8-16
28	819111016	Washer 11/32 X 5/8 X 16 Ga	82	532142028	Trunnion Adj 94
29	532131491	Rod Hinge 42"6 75 Wlg	101	532136420	Cover Mulching 42" Black
30	532138776	Screw Thdrol Hex Head Zinc Mwr	102	871161010	Screw
31	532129963	Washer Spacer Mower Vented	103	819061216	Washer #10
32	532129861	Pulley Mandrel 42"	104	810071000	Washer Lock #10
33	532137266	Nut 9/16 Toplock Fing Oil Dip	105	532130758	Latch Asm Bagger
34	872110614	Bolt Rdhd 3/8-16uncx1-3/4 Gr5	106	532125004	Nut Weld
35	532133835	Fastner Christmas Tree	--	532140475	Deck Serv 42*mch S Bar Mult-Lang
36	532131494	Pulley Idler Flat 3 060	--	532130794	Mandrel Asm Service (Includes Key Nos. 8-10, 12-15, 31 and 33)
37	819131316	Washer 13/32 X 13/16 X 16			
40	873800600	Nut Lock Hex W/Ins 3/8-16 Unc			
41	532133551	Rod Pivot W/nibs			
43	532140083	Rod Clutch Secondary W/nibs			

**NOTE:** All component dimensions given in U.S. inches  
1 inch = 25.4 mm

# REPAIR PARTS

12.5 HP 42" TRACTOR - MODEL NO. LT125 (HC12542A) PRODUCT NO. 954 00 07-72  
MOWER LIFT



## REPAIR PARTS

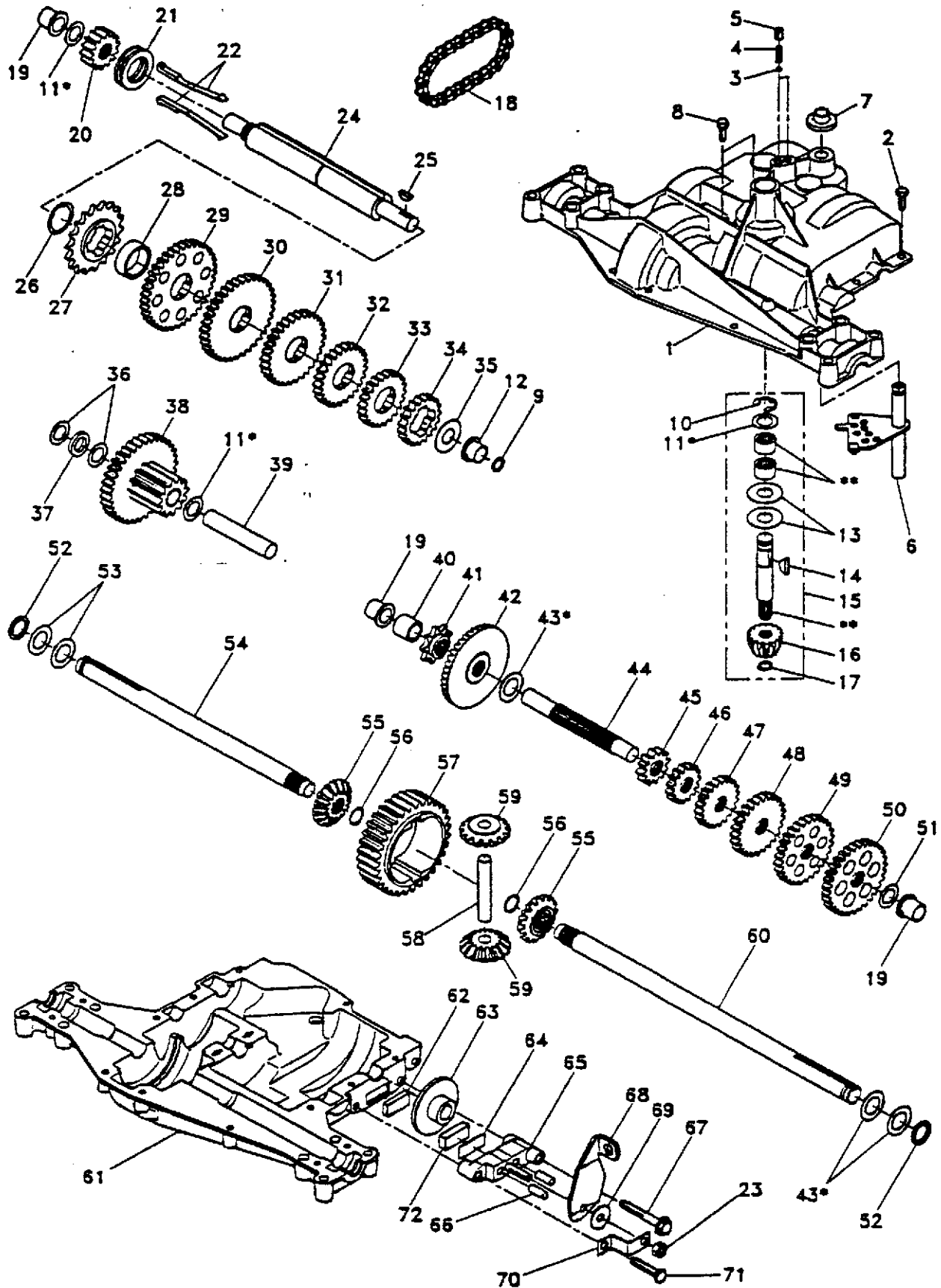
12.5 HP 42" TRACTOR - MODEL NO. LT125 (HC12542A) PRODUCT NO. 954 00 07-72  
MOWER LIFT

KEY NO.	PART NO.	DESCRIPTION
1	532136973	Wire Asm Inner W/plunger 17 32
2	532140278	Shaft Asm Lift
3	532138284	Pin Groove
4	812000002	E Ring #5133-62
5	819211621	Washer PLTD 21/32 X 1 X 21ga
6	532120183	Bearing Nylon Blk 629 Id
7	532109413	Grip Handle Bicycle Matte Blk
8	532124526	Button Plunger Black
10	532122512	Spring Cprsn 3 750 Oiled
11	532139865	Link Lift LH
12	532139866	Link Lift RH
13	532124670	Retainer Spring
15	532127218	Link Front
16	873350800	Nut Jam Hex 1/2-13 Unc
17	532130171	Trunnion Blk Zinc
18	873800800	Nut Lock W/wsh 1/2-13unc
19	532139868	Arm Suspension Rear
20	532124660	Spring, Retainer
31	532140302	Bearing Pvt. Lift Spherical
32	873810600	Nut Lock 3/8-24 W/Nylon Insert

NOTE: All component dimensions given in U.S. inches  
1 inch = 25.4 mm

# REPAIR PARTS

12.5 HP 42" TRACTOR - MODEL NO. LT125 (HC12542A) PRODUCT NO. 954 00 07-72  
DANA TRANSAXLE - MODEL NUMBER 4360-79



## REPAIR PARTS

12.5 HP 42" TRACTOR - MODEL NO. LT125 (HC12542A) PRODUCT NO. 954 00 07-72  
 DANA TRANSAXLE - MODEL NUMBER 4360-79

KEY PART NO. NO.	DESCRIPTION	KEY PART NO. NO.	DESCRIPTION
1 142671	Housing, Upper	41 105928X	Sprocket, 9 Teeth
2 2274J	Screw, Self-Tapping, Large 1/4-20 x .734	42 110084X	Gear, Bevel, 42 Teeth
3 134400	Ball, Detent	43 134394	* Assembly, Kit, Shim .750 Shaft
4 105904X	Spring, Detent	44 120473X	Shaft, Drive
5 105905X	Screw, Set	45 142678	Gear, Spur, 12 Teeth
6 138235	Kit, Shifter Assembly	46 142679	Gear, Spur, 15 Teeth
7 134399	Boot, Shifter	47 120407X	Gear, Spur, 20 Teeth
8 134791	Screw, Tapping w/Sealer	48 106589X	Gear, Spur, 25 Teeth
9 138241	Square Ring	49 120408X	Gear, Spur, 28 Teeth
10 142672	Ring, Retaining	50 105937X	Gear, Spur, 31 Teeth
11 134793	* Assembly, Kit, Shim .625 Shaft	51 2226J	Washer, Plain .632 x 1.00 x .060
12 142673	Bearing, Flange	52 134401	Washer, Neoprene
13 120415X	Washer, Plain .632 x 1.38 x .046	53 2264J	Washer, Plain .758 x 1.25 x .031
14 142674	Key, Woodruff, #9	54 120474X	Axle, L.H.
15 138234	Assembly, Kit, input Shaft	55 110081X	Gear, Miter, 15 Teeth
16 110078X	Pinion, Bevel, 14 Teeth	56 105941X	Ring, Retaining
17 105909X	Ring, Retaining	57 110071X	Gear, Spur, 32 Teeth
18 105910X	Chain, 24 Pitches	58 120952X	Shaft, Cross
19 105911X	Bearing, Flange	59 110082X	Gear, Miter, 15 Teeth
20 142675	Gear, Spur, 14 Teeth	60 120475X	Axle, R.H.
21 138246	Collar, Clutch	61 142680	Housing, Lower
22 138236	Assembly, Kit, Clutch Keys	62 120961X	Puck, Friction
23 73810500	Locknut 5/16-24	63 7294J	Disc, Brake
24 142676	Shaft, Intermediate	64 108989X	Spacer
25 2244J	Key, Woodruff, #61	65 120953X	Jaw, Brake
26 105916X	Ring, Retaining	66 120954X	Pin, Dowel
27 120470X	Sprocket, 18 Teeth	67 134799	Screw, Self-Tapping, Large 5/16-18 x 2.25
28 110070X	Spacer	68 138244	Lever, Actuating
29 142677	Gear, Spur, 37 Teeth	69 108996X	Washer, Plain .321 x 1.00 x .055
30 142681	Gear, Spur, 35 Teeth	70 120956X	Bracket, Anti-Rotation
31 120405X	Gear, Spur, 30 Teeth	71 106596X	Screw, Self-Tapping, Large 5/16-18 x 1.44
32 108980X	Gear, Spur, 25 Teeth	72 120951X	Puck, Friction
33 120406X	Gear, Spur, 22 Teeth	73 120416X	Grease
34 134796	Gear, Spur, 19 Teeth		
35 105925X	Washer, Plain .640 x 1.37 x .061		
36 2232J	Washer, Plain .632 x 1.00 x .026		
37 108978X	Spacer .630 x 1.00 x .169		
38 110079X	Assembly, Gear, Combination of 12 Teeth and 35 Teeth		
39 124639X	Shaft, Idler		
40 120472X	Spacer .635 x .875 x .755		

\* Use in combinations to maintain proper clearances  
 \*\* Order Key No. 15

NOTE: All component dimensions given in U.S. inches  
 1 inch = 25.4 mm