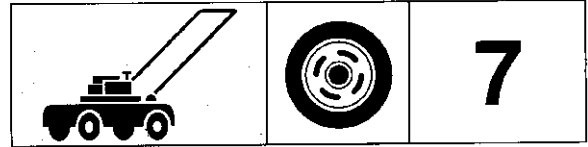
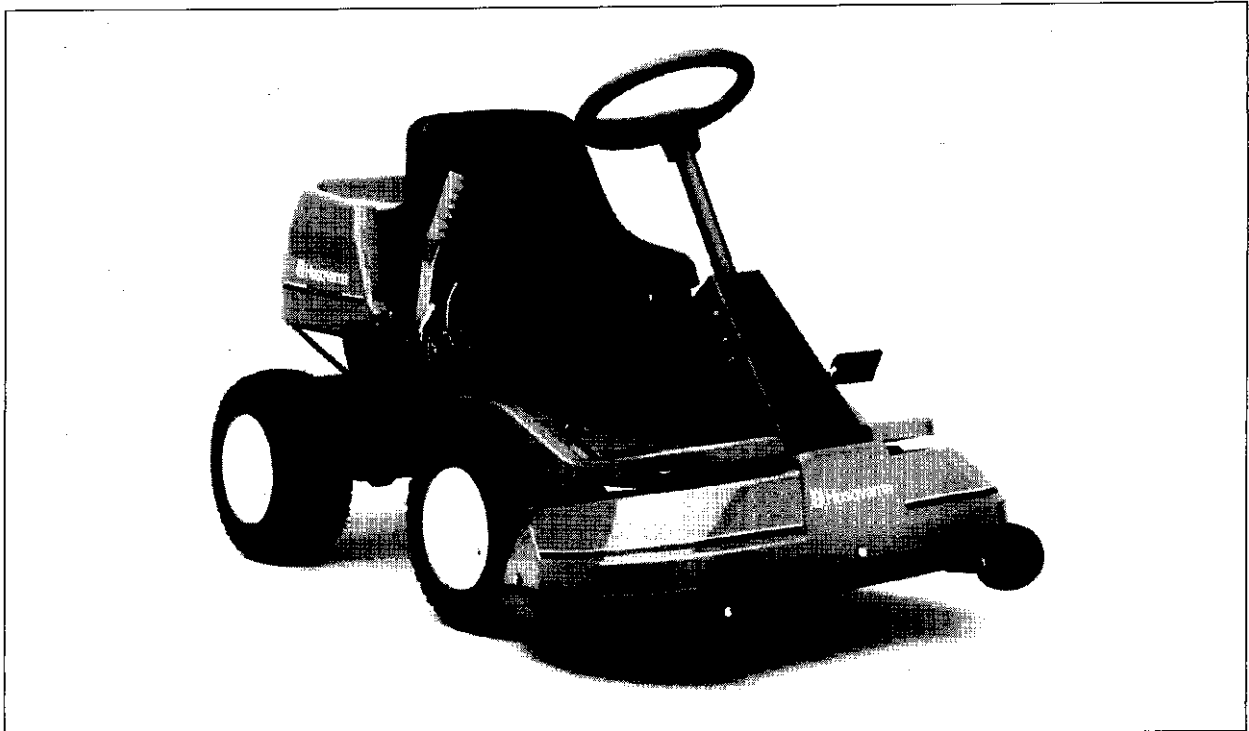


 **Husqvarna**



Rider

850-10/12/12,5K



1.1994

Spare parts

Ersatzteile

Pièces détachées

Reserve onderdelen

Repuestos

Reservdelar

Replaces

Ersetzt

Remplace

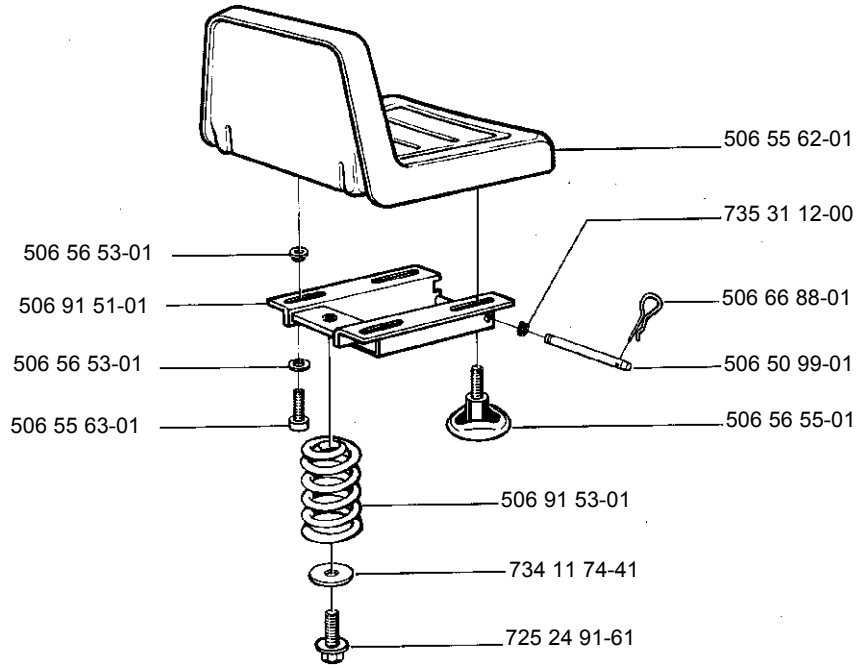
Vervangt

Reemplaza

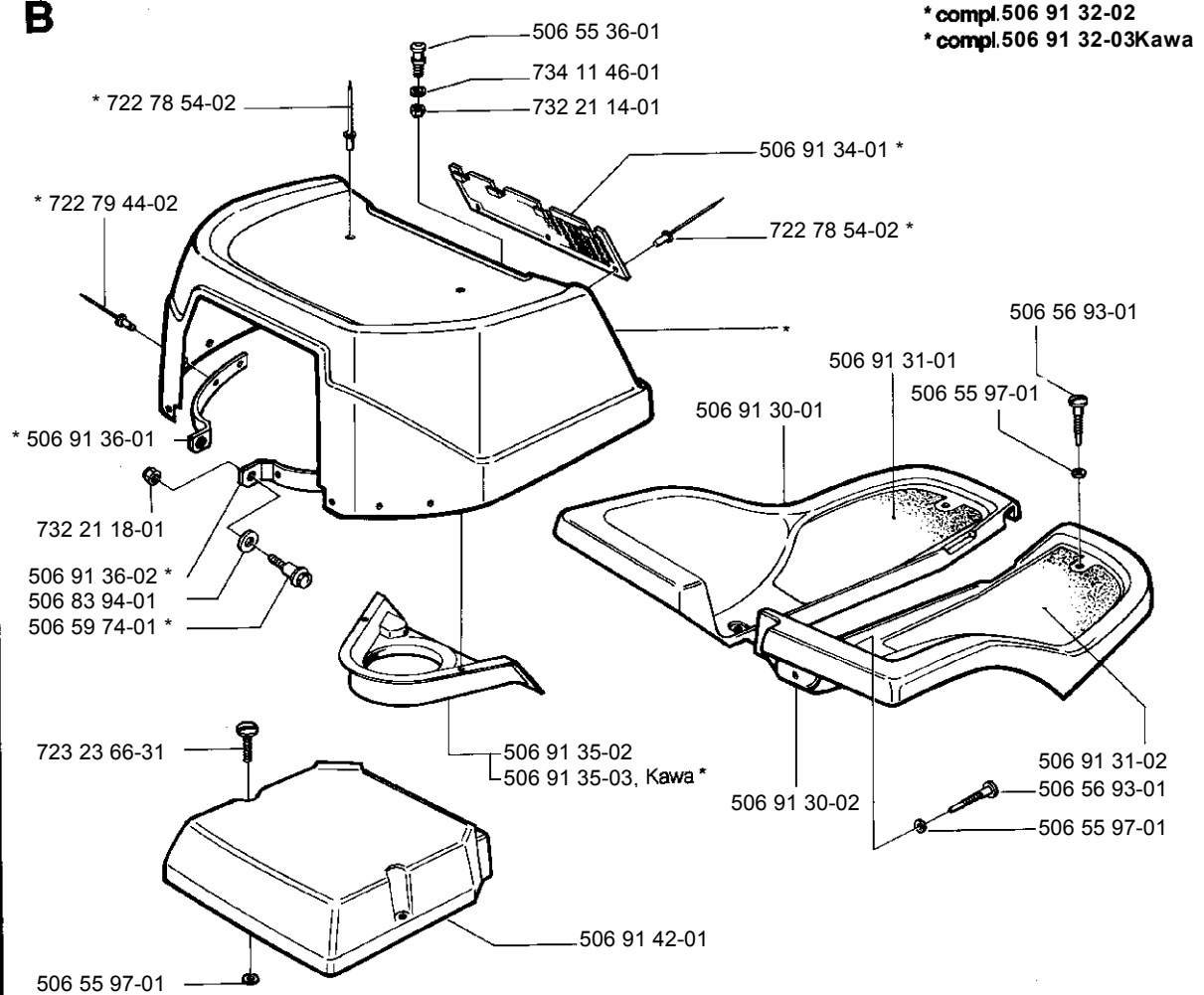
Ersätter

106 23 46-63

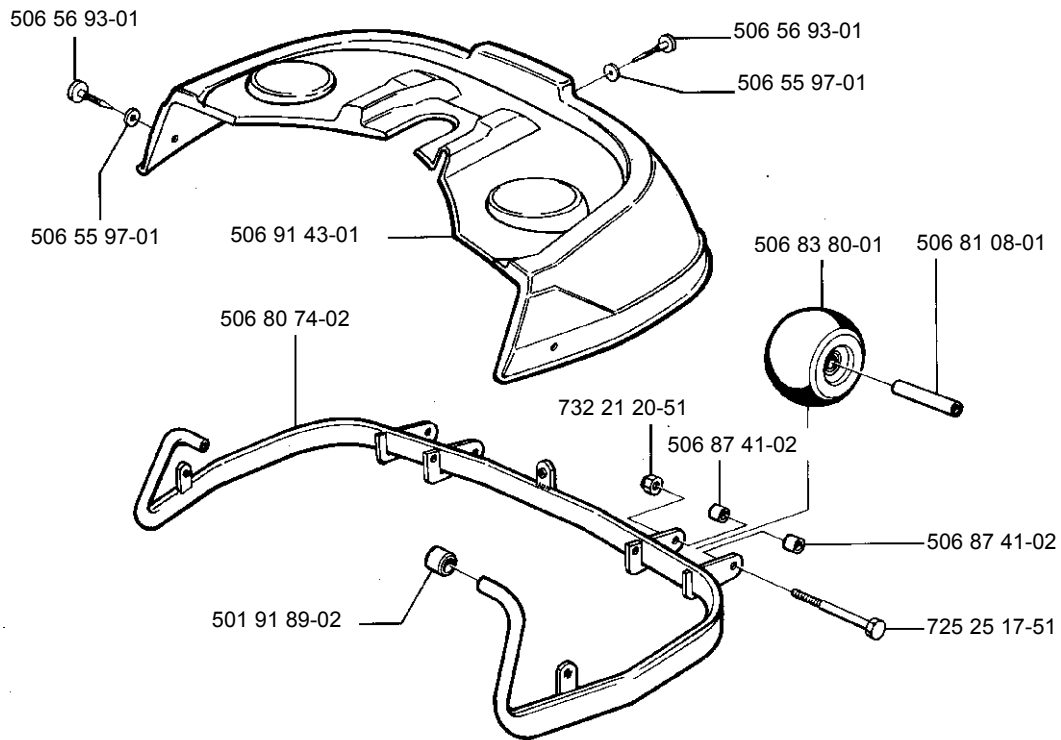
A



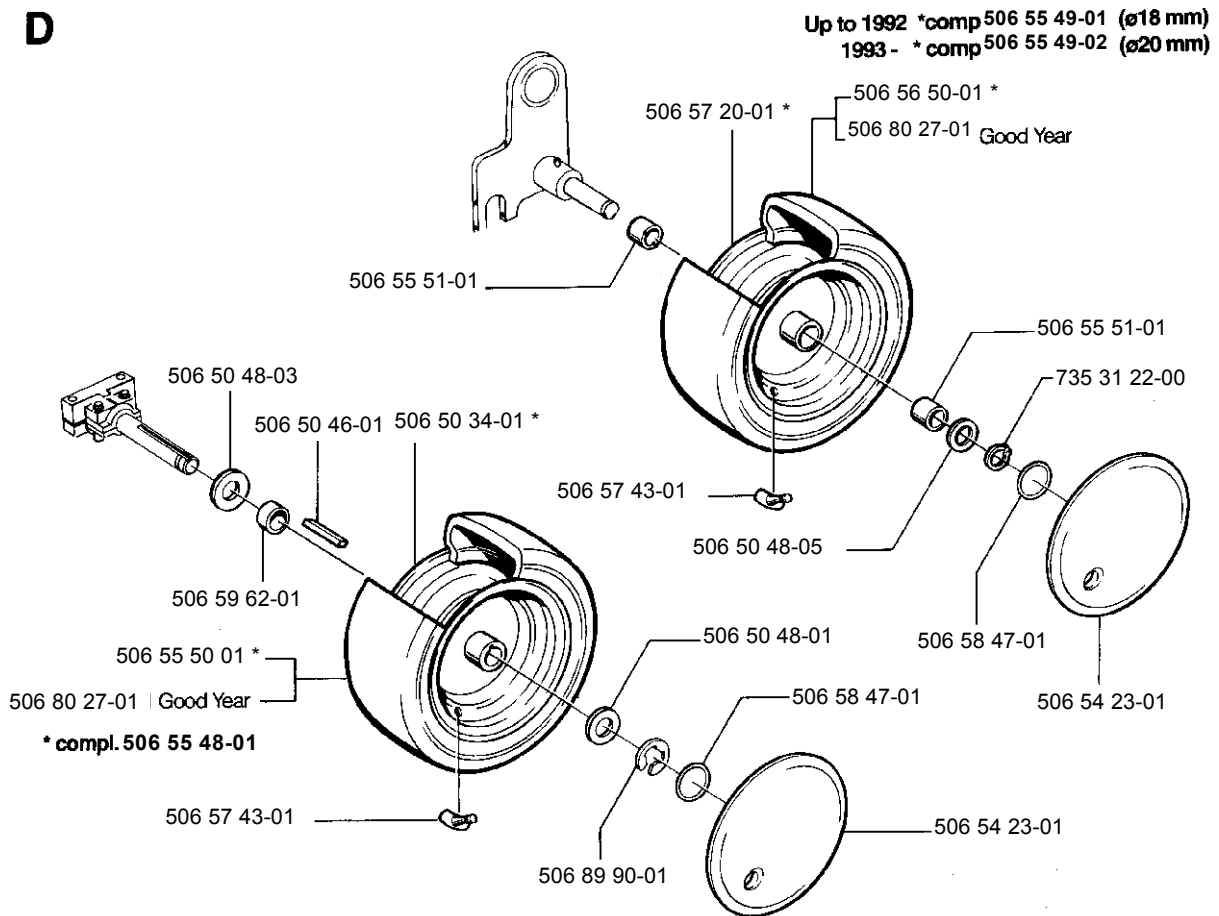
B

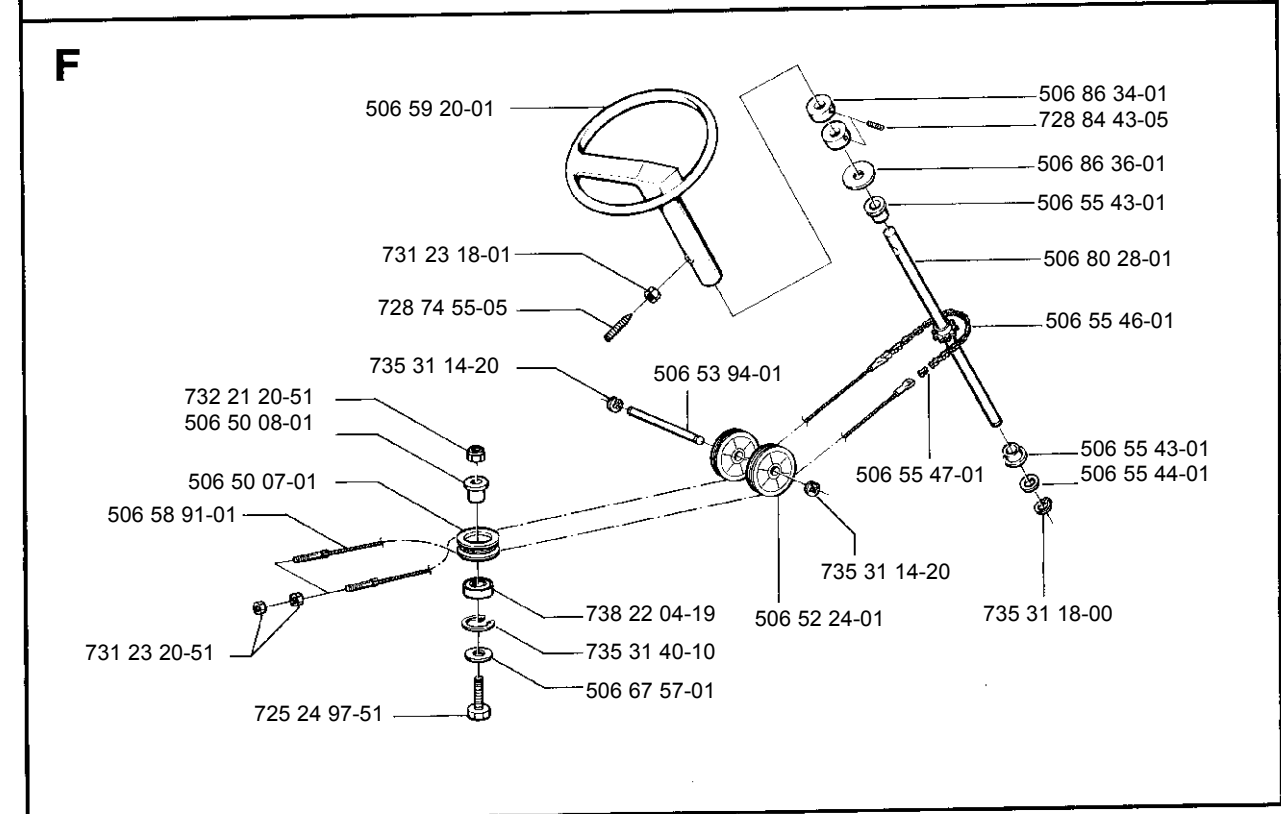
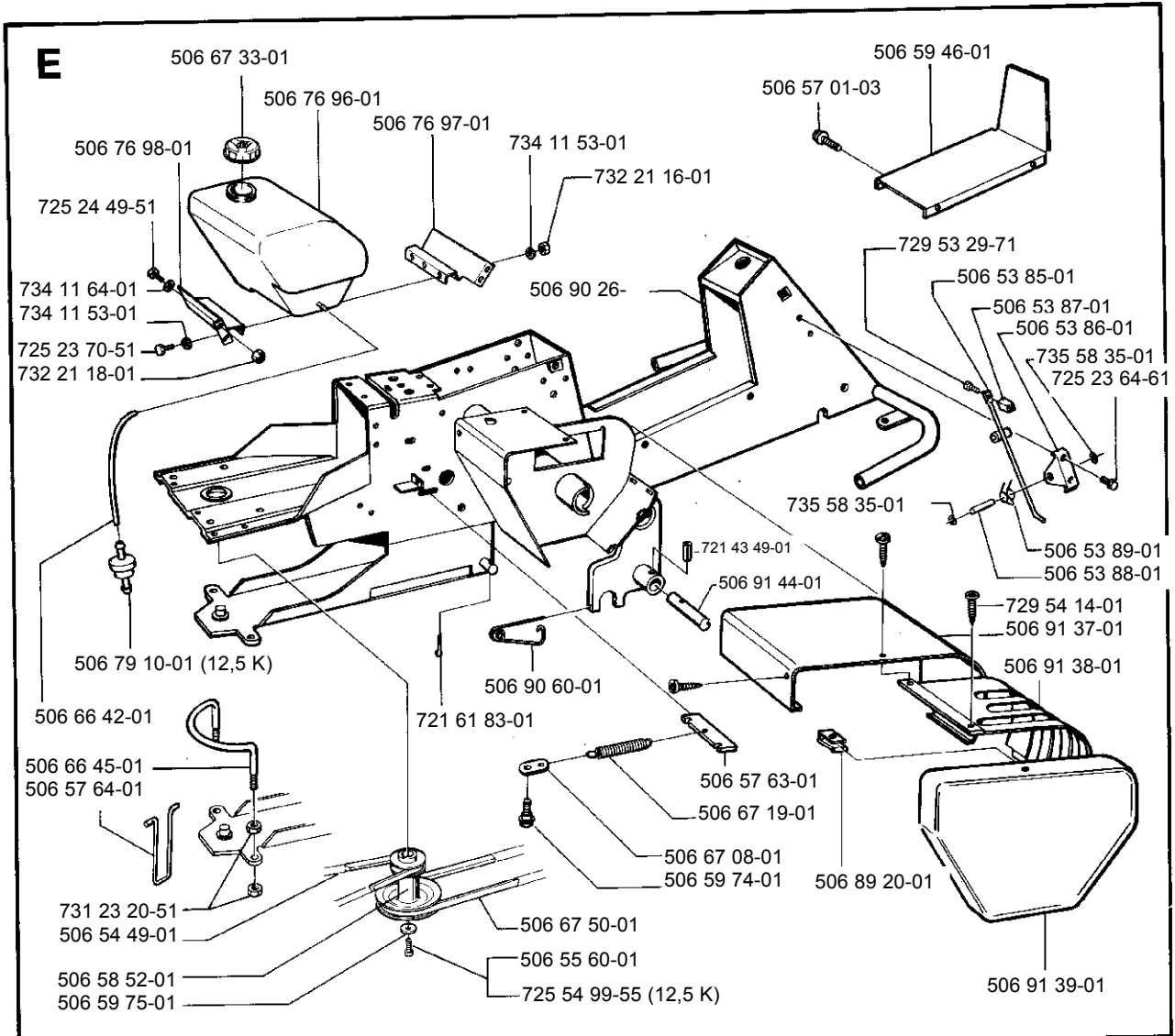


C



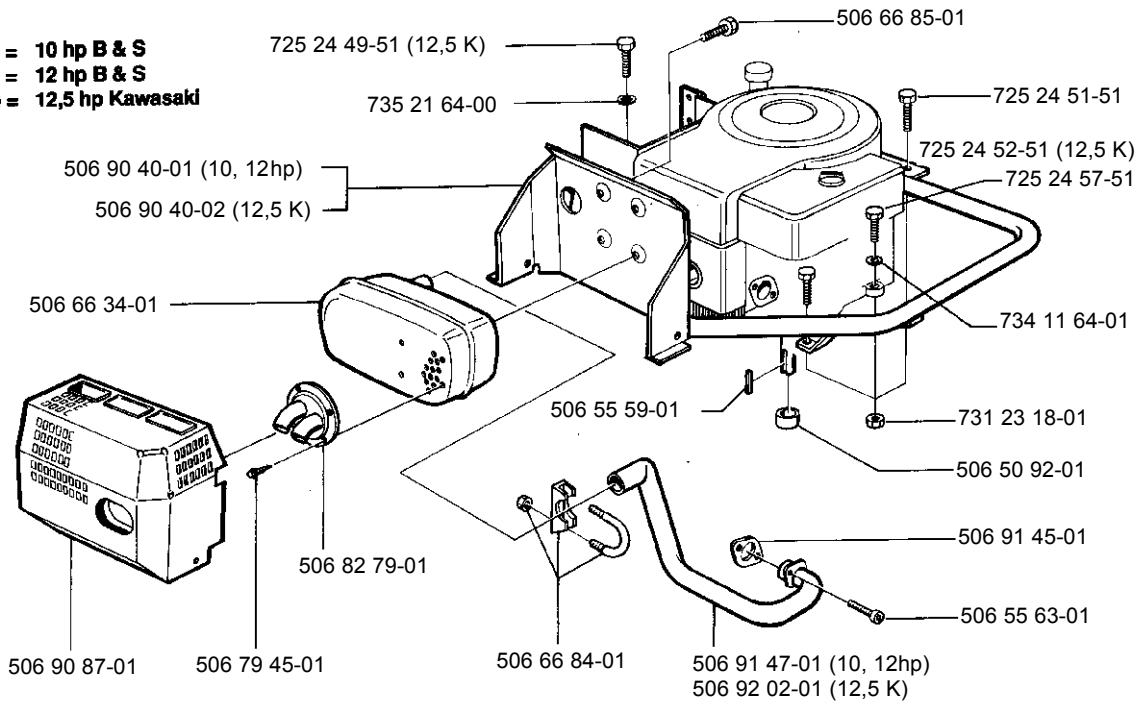
D



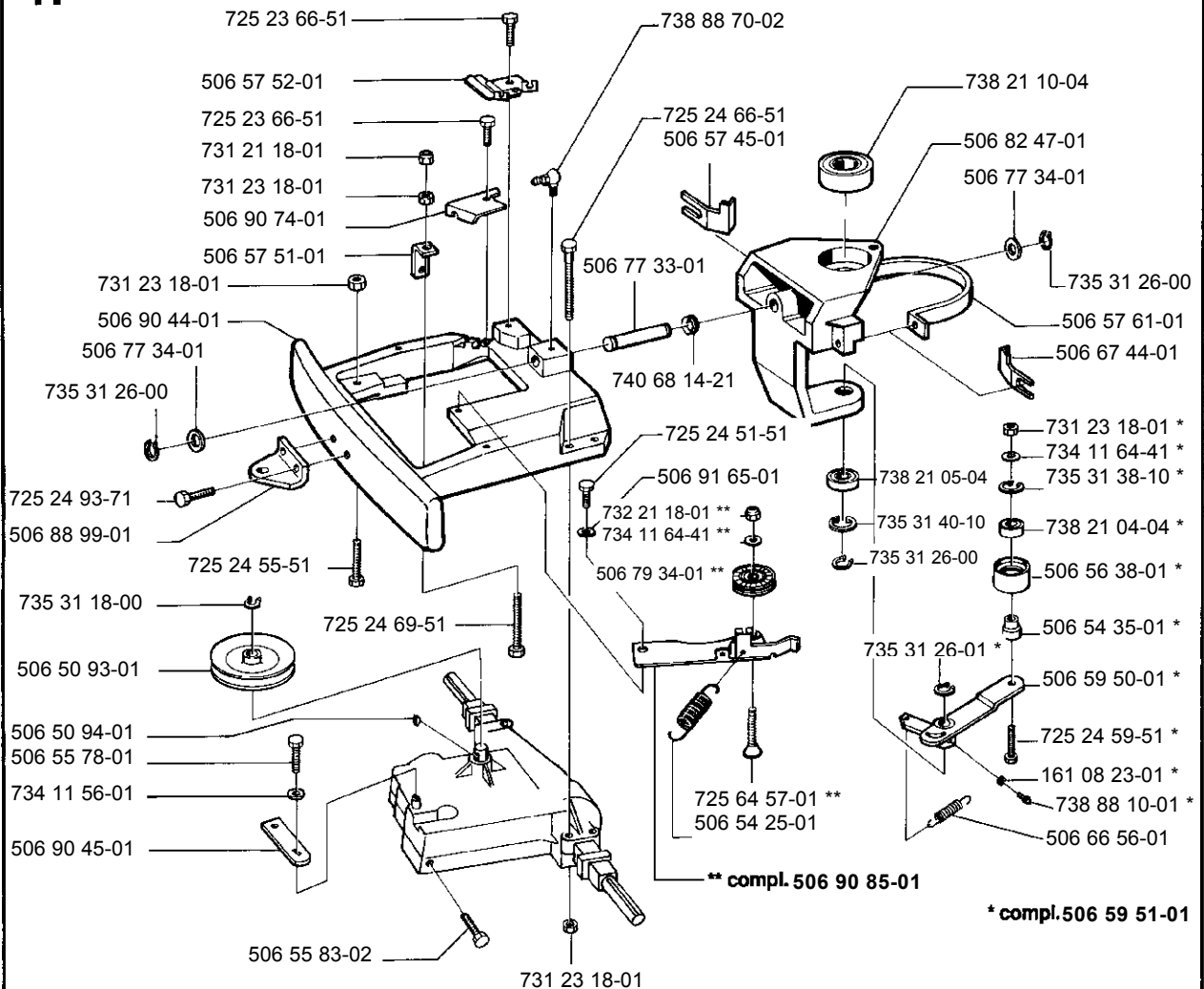


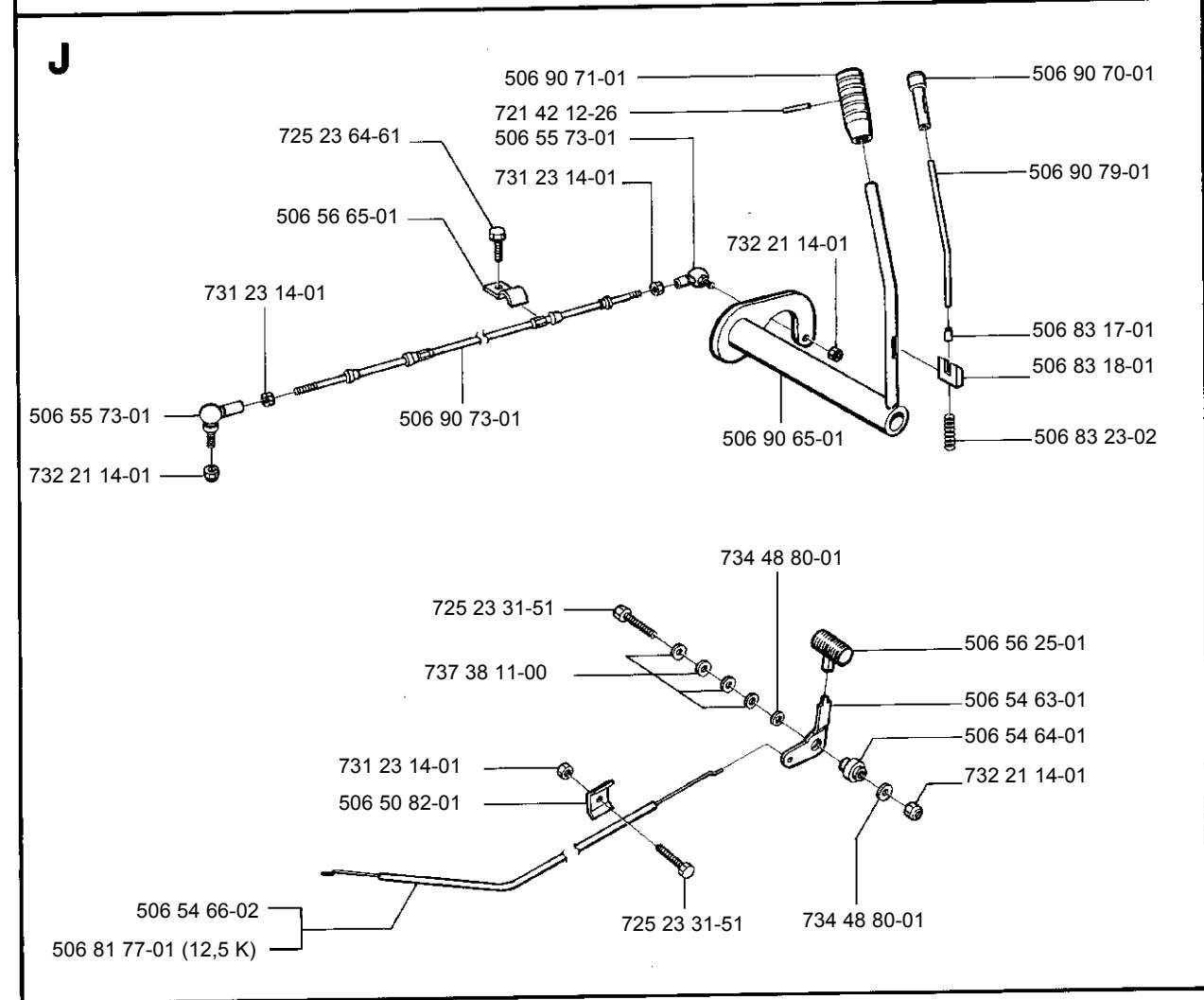
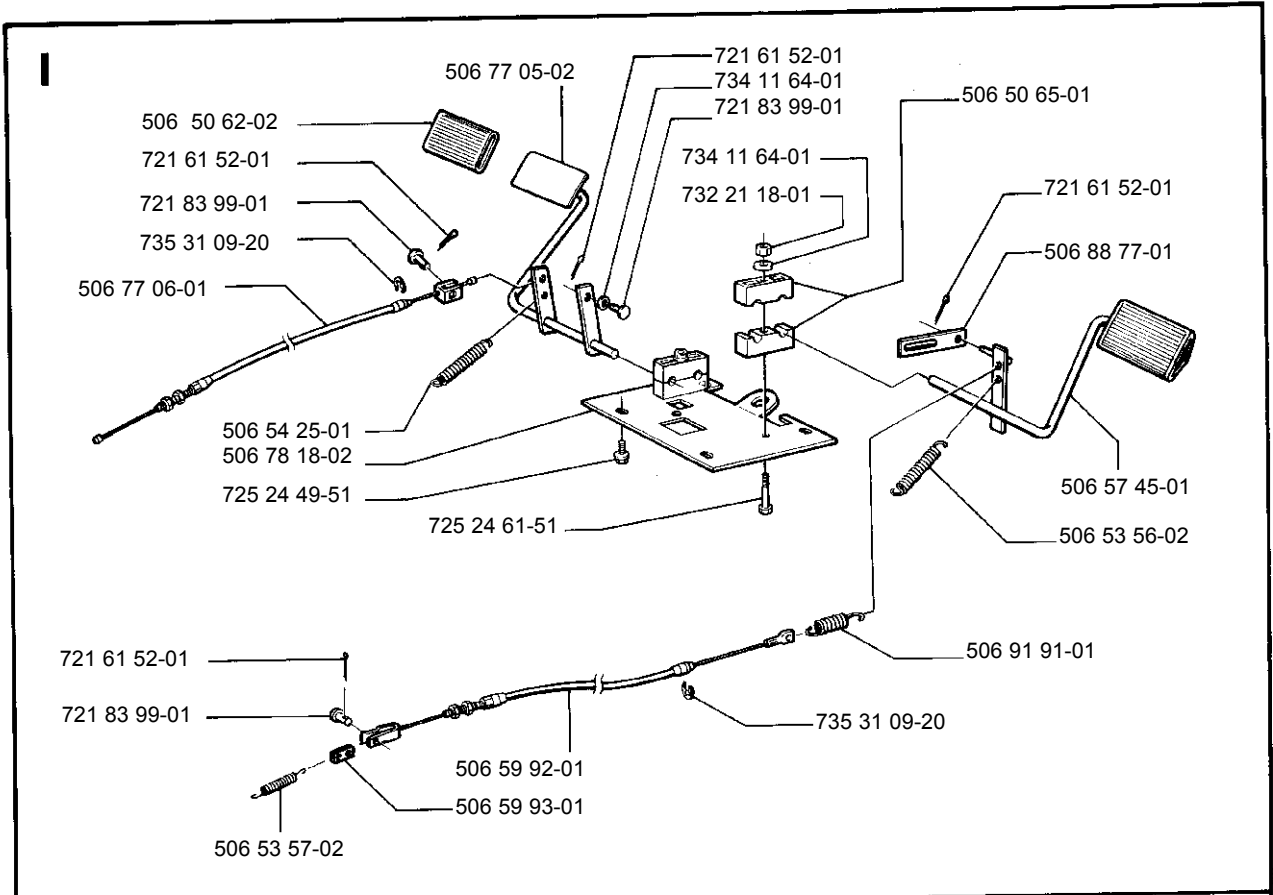
G

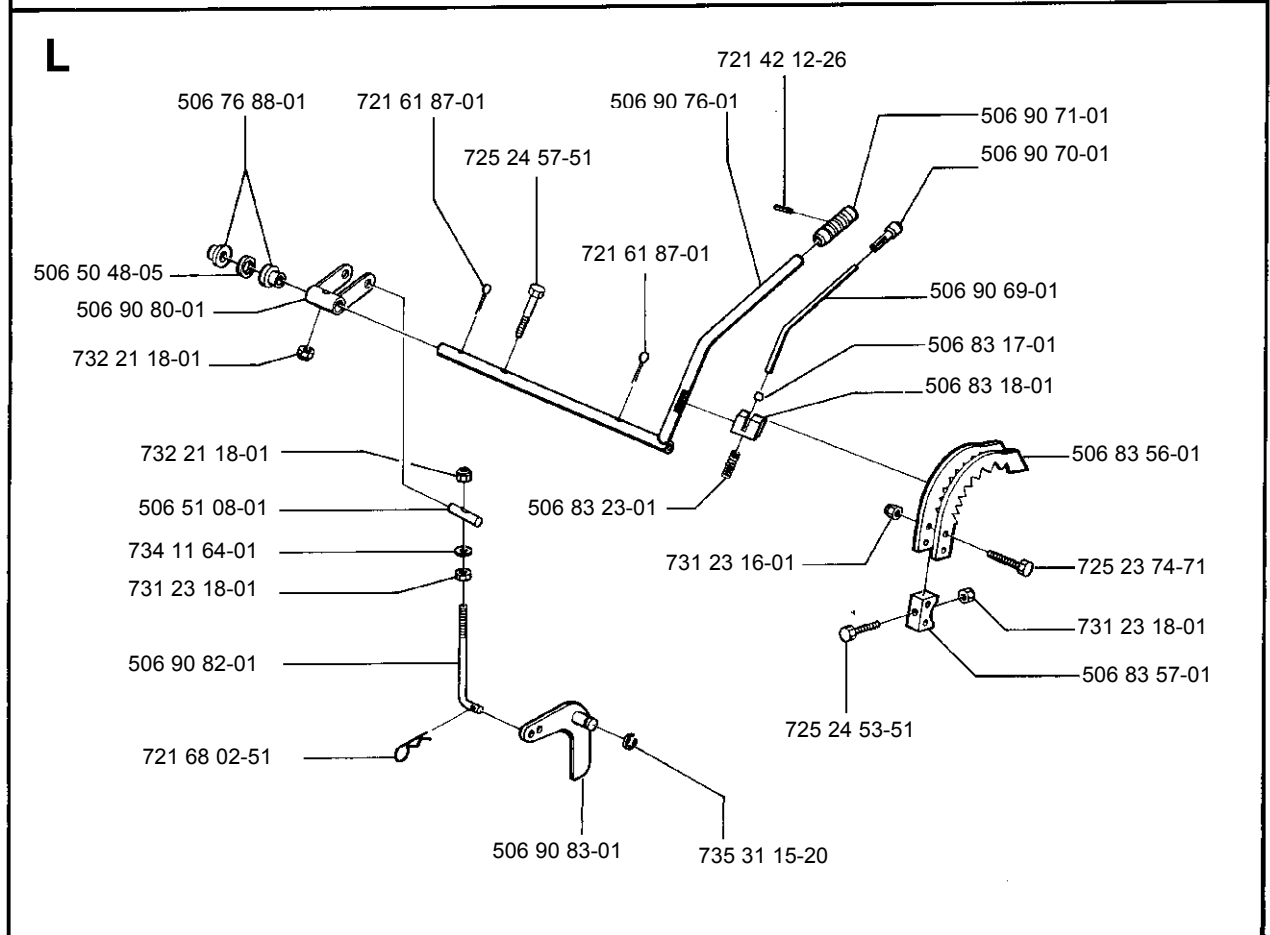
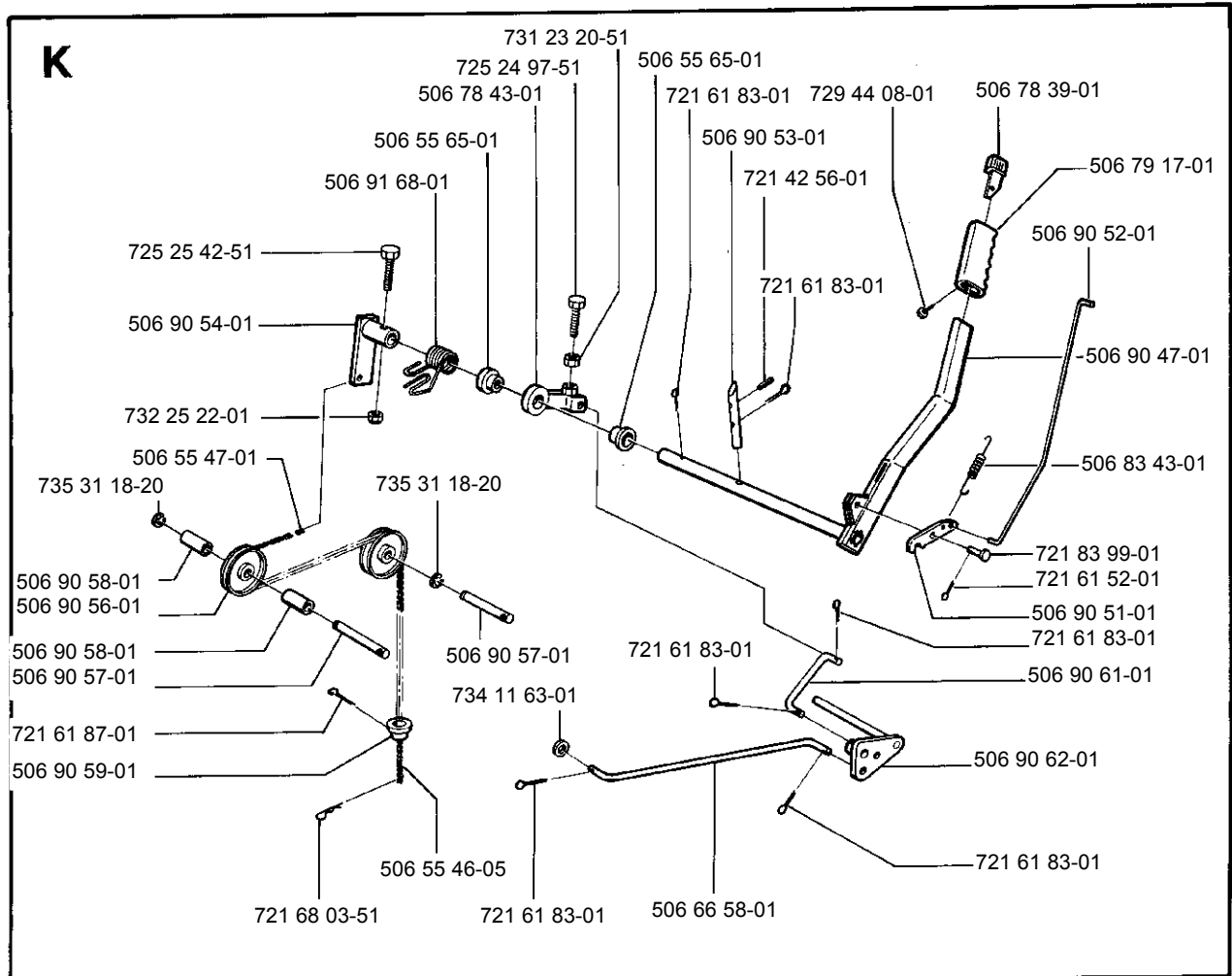
(10) = 10 hp B & S
 (12) = 12 hp B & S
 (12,5 K) = 12,5 hp Kawasaki

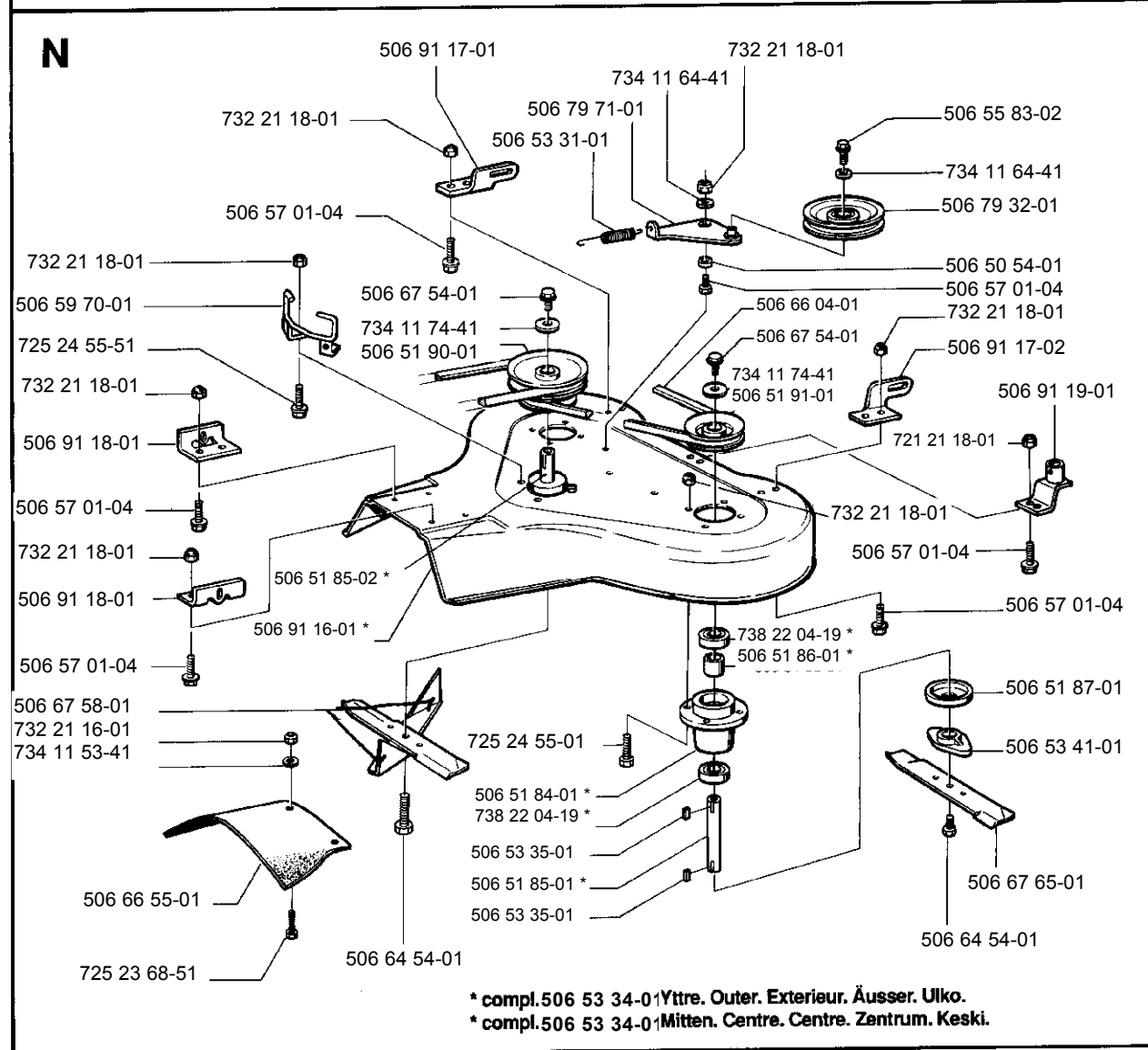
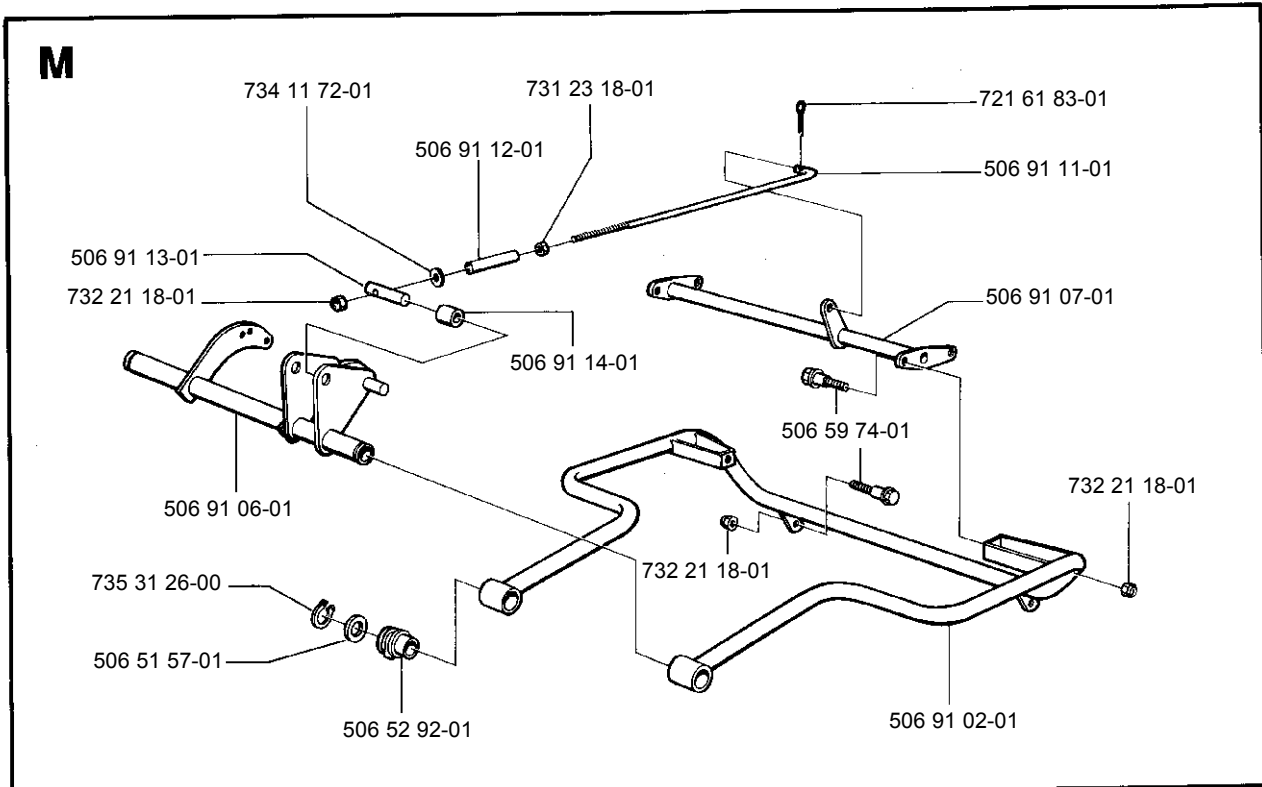


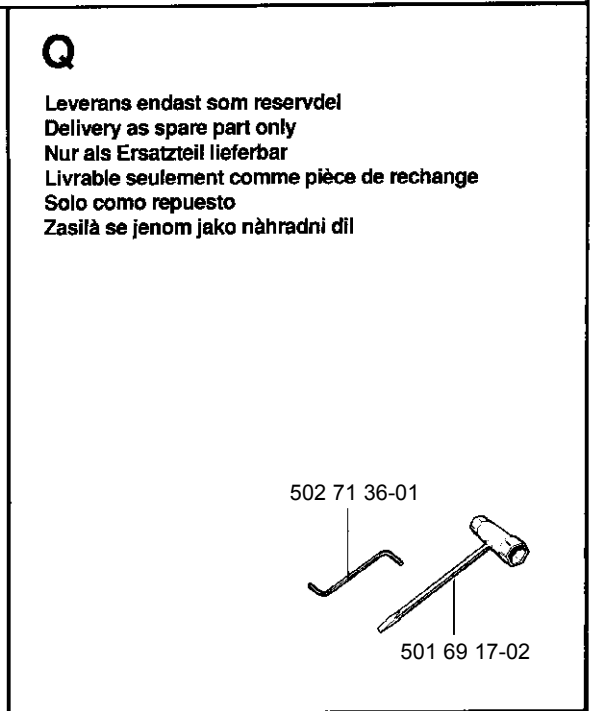
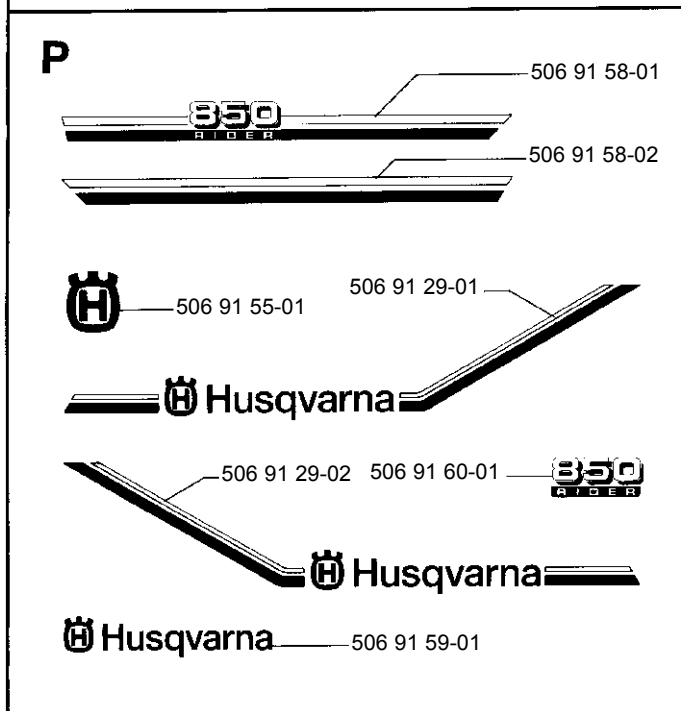
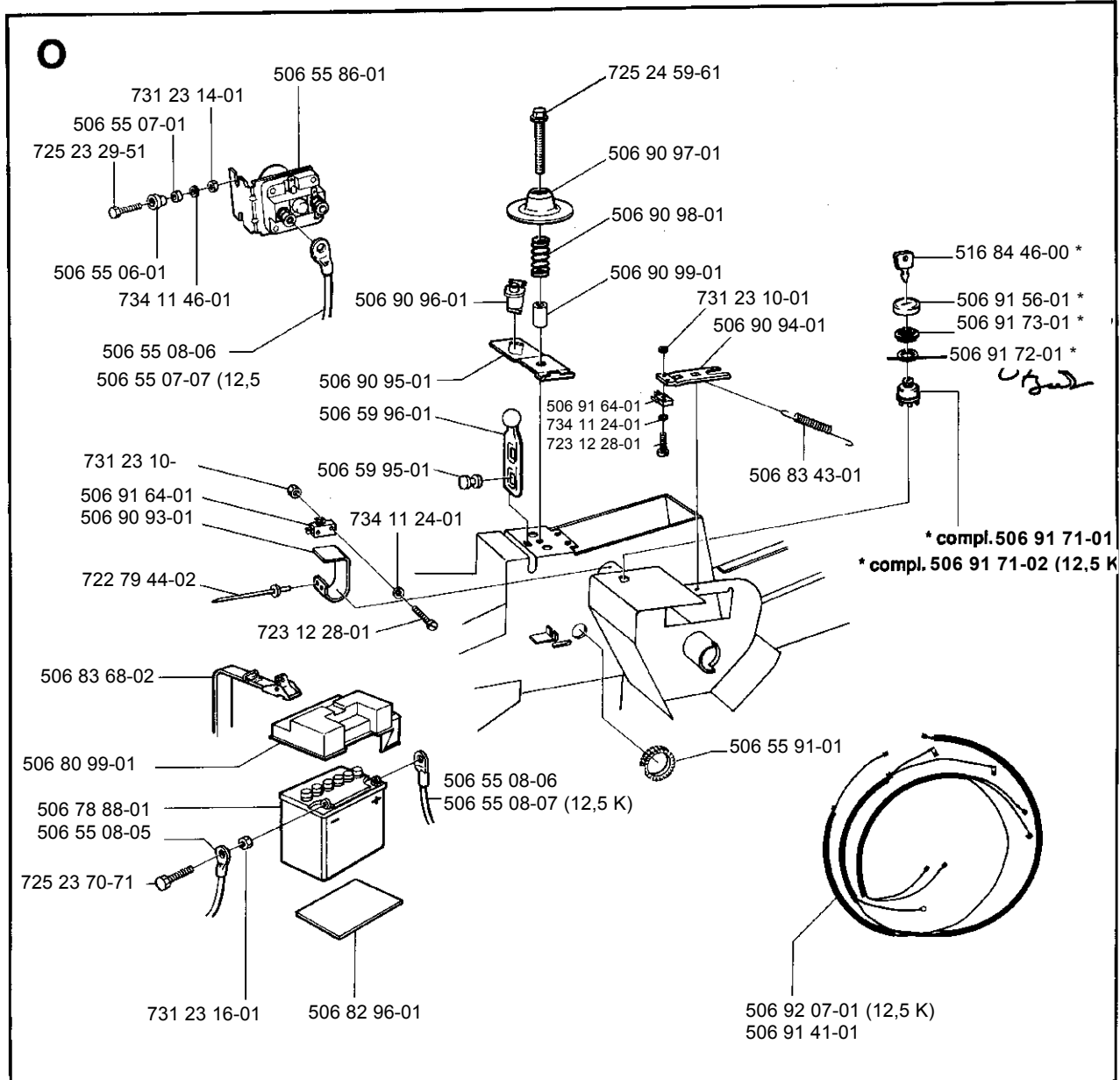
H











MODEL NUMBER R850

| PART NUMBER | SQUARE | NOTE | PART NUMBER | SQUARE | NOTE | PART NUMBER | SQUARE | NOTE | PART NUMBER | SQUARE | NOTE |
|--------------|--------|------|--------------|--------|------|--------------|--------|------|--------------|--------|------|
| 161 08 23-01 | H | | 506 55 73-01 | J | | 506 79 17-01 | K | | 506 91 07-01 | M | |
| 501 69 17-02 | Q | | 506 55 78-01 | H | | 506 79 32-01 | N | | 506 91 11-01 | M | |
| 501 91 89-02 | C | | 506 55 83-02 | HN | | 506 79 34-01 | H | | 506 91 12-01 | M | |
| 502 71 36-01 | Q | | 506 55 86-01 | O | | 506 79 45-01 | G | | 506 91 13-01 | M | |
| 506 50 07-01 | F | | 506 55 91-01 | O | | 506 79 71-01 | N | | 506 91 14-01 | M | |
| 506 50 08-01 | F | | 506 55 97-01 | BC | | 506 80 27-01 | D | | 506 91 16-01 | N | |
| 506 50 34-01 | D | | 506 56 25-01 | J | | 506 80 28-01 | F | | 506 91 17-01 | N | |
| 506 50 46-01 | D | | 506 56 38-01 | H | | 506 80 74-02 | C | | 506 91 17-02 | N | |
| 506 50 48-01 | D | | 506 56 53-01 | A | | 506 80 99-01 | O | | 506 91 18-01 | N | |
| 506 50 48-03 | D | | 506 56 55-01 | A | | 506 81 08-01 | C | | 506 91 19-01 | N | |
| 506 50 48-05 | DL | | 506 56 65-01 | J | | 506 81 77-01 | J | | 506 91 29-01 | P | |
| 506 50 54-01 | N | | 506 56 93-01 | BC | | 506 82 47-01 | H | | 506 91 29-02 | P | |
| 506 50 62-02 | I | | 506 57 01-03 | E | | 506 82 79-01 | G | | 506 91 30-01 | B | |
| 506 50 65-01 | I | | 506 57 01-04 | N | | 506 82 96-01 | O | | 506 91 30-02 | B | |
| 506 50 82-01 | J | | 506 57 20-01 | D | | 506 83 17-01 | JL | | 506 91 31-01 | B | |
| 506 50 92-01 | G | | 506 57 43-01 | D | | 506 83 18-01 | JL | | 506 91 31-02 | B | |
| 506 50 93-01 | H | | 506 57 45-01 | I | | 506 83 23-01 | L | | 506 91 32-02 | B | |
| 506 50 94-01 | H | | 506 57 51-01 | H | | 506 83 23-02 | J | | 506 91 32-03 | B | |
| 506 50 99-01 | A | | 506 57 52-01 | H | | 506 83 43-01 | KO | | 506 91 34-01 | B | |
| 506 51 08-01 | L | | 506 57 55-01 | Q | | 506 83 56-01 | L | | 506 91 35-02 | B | |
| 506 51 57-01 | M | | 506 57 56-01 | Q | | 506 83 57-01 | L | | 506 91 35-03 | B | |
| 506 51 84-01 | N | | 506 57 61-01 | H | | 506 83 68-02 | O | | 506 91 36-01 | B | |
| 506 51 85-01 | N | | 506 57 63-01 | E | | 506 83 80-01 | C | | 506 91 36-02 | B | |
| 506 51 85-02 | N | | 506 57 64-01 | EH | | 506 83 94-01 | B | | 506 91 37-01 | E | |
| 506 51 86-01 | N | | 506 58 47-01 | D | | 506 86 34-01 | F | | 506 91 38-01 | E | |
| 506 51 87-01 | N | | 506 58 52-01 | E | | 506 86 36-01 | F | | 506 91 39-01 | E | |
| 506 51 90-01 | N | | 506 58 91-01 | F | | 506 87 41-02 | C | | 506 91 41-01 | O | |
| 506 51 91-01 | N | | 506 59 20-01 | F | | 506 88 77-01 | I | | 506 91 42-01 | B | |
| 506 52 92-01 | M | | 506 59 46-01 | E | | 506 88 99-01 | H | | 506 91 43-01 | C | |
| 506 53 31-01 | N | | 506 59 50-01 | H | | 506 89 20-01 | E | | 506 91 44-01 | E | |
| 506 53 34-01 | N | | 506 59 51-01 | H | | 506 89 90-01 | D | | 506 91 45-01 | G | |
| 506 53 34-02 | N | | 506 59 62-01 | D | | 506 90 26-01 | E | | 506 91 47-01 | G | |
| 506 53 35-01 | N | | 506 59 70-01 | N | | 506 90 40-01 | G | | 506 91 51-01 | A | |
| 506 53 41-01 | N | | 506 59 74-01 | BEM | | 506 90 40-02 | G | | 506 91 53-01 | A | |
| 506 53 56-02 | I | | 506 59 75-01 | E | | 506 90 44-01 | H | | 506 91 55-01 | P | |
| 506 53 57-02 | I | | 506 59 92-01 | I | | 506 90 45-01 | H | | 506 91 56-01 | O | |
| 506 53 85-01 | E | | 506 59 93-01 | I | | 506 90 47-01 | K | | 506 91 58-01 | P | |
| 506 53 86-01 | E | | 506 59 95-01 | O | | 506 90 51-01 | K | | 506 91 58-02 | P | |
| 506 53 87-01 | E | | 506 59 96-01 | O | | 506 90 52-01 | K | | 506 91 59-01 | P | |
| 506 53 88-01 | E | | 506 66 04-01 | N | | 506 90 53-01 | K | | 506 91 60-01 | P | |
| 506 53 89-01 | E | | 506 66 34-01 | G | | 506 90 54-01 | K | | 506 91 64-01 | O | |
| 506 53 94-01 | F | | 506 66 42-01 | E | | 506 90 56-01 | K | | 506 91 65-01 | H | |
| 506 54 23-01 | D | | 506 66 45-01 | E | | 506 90 57-01 | K | | 506 91 68-01 | K | |
| 506 54 25-01 | HI | | 506 66 55-01 | N | | 506 90 58-01 | K | N | 506 91 71-01 | O | |
| 506 54 35-01 | H | | 506 66 56-01 | H | | 506 90 59-01 | K | | 506 91 71-02 | O | |
| 506 54 49-01 | E | | 506 66 58-01 | K | | 506 90 60-01 | E | | 506 91 72-01 | O | |
| 506 54 63-01 | J | | 506 66 84-01 | G | | 506 90 61-01 | K | | 506 91 73-01 | O | |
| 506 54 64-01 | J | | 506 66 85-01 | G | | 506 90 62-01 | K | | 506 91 91-01 | I | |
| 506 54 66-02 | J | | 506 66 88-01 | A | | 506 90 65-01 | J | | 506 92 02-01 | G | |
| 506 55 06-01 | O | | 506 67 08-01 | E | | 506 90 69-01 | L | | 506 92 07-01 | O | |
| 506 55 07-01 | O | | 506 67 19-01 | E | | 506 90 70-01 | JL | | 516 84 46-00 | O | |
| 506 55 07-07 | O | | 506 67 33-01 | E | | 506 90 71-01 | JL | | 721 42 12-26 | JL | |
| 506 55 08-05 | O | | 506 67 45-01 | H | | 506 90 73-01 | J | | 721 42 56-01 | K | |
| 506 55 08-06 | O | | 506 67 50-01 | E | | 506 90 74-01 | H | | 721 43 49-01 | E | |
| 506 55 08-07 | O | | 506 67 54-01 | N | | 506 90 76-01 | L | | 721 61 52-01 | IK | |
| 506 55 36-01 | B | | 506 67 57-01 | F | | 506 90 79-01 | J | | 721 61 83-01 | EKM | |
| 506 55 43-01 | F | | 506 67 58-01 | N | | 506 90 80-01 | L | | 721 61 87-01 | KL | |
| 506 55 44-01 | F | | 506 67 65-01 | N | | 506 90 82-01 | L | | 721 68 02-51 | L | |
| 506 55 46-01 | F | | 506 76 88-01 | L | | 506 90 83-01 | L | | 721 68 03-51 | K | |
| 506 55 46-05 | K | | 506 76 96-01 | E | | 506 90 85-01 | H | | 721 83 99-01 | IK | |
| 506 55 47-01 | FK | | 506 76 97-01 | E | | 506 90 87-01 | G | | 722 78 54-02 | B | |
| 506 55 49-01 | D | | 506 76 98-01 | E | | 506 90 93-01 | O | | 722 79 44-02 | BO | |
| 506 55 49-02 | D | | 506 77 06-01 | I | | 506 90 94-01 | O | | 723 12 28-01 | O | |
| 506 55 50-01 | D | | 506 77 33-01 | H | | 506 90 95-01 | O | | 723 23 66-31 | B | |
| 506 55 51-01 | D | | 506 77 34-01 | H | | 506 90 96-01 | O | | 725 23 29-51 | O | |
| 506 55 59-01 | G | | 506 78 18-02 | I | | 506 90 97-01 | O | | 725 23 31-51 | J | |
| 506 55 60-02 | E | | 506 78 39-01 | K | | 506 90 98-01 | O | | 725 23 64-61 | EJ | |
| 506 55 62-01 | A | | 506 78 43-01 | K | | 506 90 99-01 | O | | 725 23 66-51 | H | |
| 506 55 63-01 | AG | | 506 78 88-01 | O | | 506 91 02-01 | M | | 725 23 68-51 | N | |
| 506 55 65-01 | K | | 506 79 10-01 | E | | 506 91 06-01 | M | | 725 23 70-51 | E | |

N=New part
 Neues teil
 Nouvelle piece
 Nueva pieza
 Ny detalj

MODEL NUMBER RB50

| PART NUMBER | SQUARE | NOTE | PART NUMBER | SQUARE | NOTE | PART NUMBER | SQUARE | NOTE | PART NUMBER | SQUARE | NOTE |
|--------------|--------|---------|-------------|--------|------|-------------|--------|------|-------------|--------|------|
| 725 23 70-71 | | O | | | | | | | | | |
| 725 23 74-71 | | L | | | | | | | | | |
| 725 24 49-51 | | EGI | | | | | | | | | |
| 725 24 51-51 | | GH | | | | | | | | | |
| 725 24 53-51 | | L | | | | | | | | | |
| 725 24 55-01 | | N | | | | | | | | | |
| 725 24 55-51 | | HN | | | | | | | | | |
| 725 24 57-51 | | GL | | | | | | | | | |
| 725 24 59-51 | | H | | | | | | | | | |
| 725 24 59-61 | | O | | | | | | | | | |
| 725 24 61-51 | | I | | | | | | | | | |
| 725 24 66-51 | | H | | | | | | | | | |
| 725 24 69-51 | | H | | | | | | | | | |
| 725 24 91-61 | | A | | | | | | | | | |
| 725 24 93-71 | | H | | | | | | | | | |
| 725 24 97-51 | | FK | | | | | | | | | |
| 725 25 15-71 | | C | | | | | | | | | |
| 725 25 42-51 | | K | | | | | | | | | |
| 725 54 99-55 | | E | | | | | | | | | |
| 725 64 57-01 | | H | | | | | | | | | |
| 728 74 55-05 | | F | | | | | | | | | |
| 728 84 43-05 | | F | | | | | | | | | |
| 729 44 08-01 | | K | | | | | | | | | |
| 729 53 29-71 | | E | | | | | | | | | |
| 729 54 14-01 | | E | | | | | | | | | |
| 731 21 18-01 | | H | | | | | | | | | |
| 731 23 10-01 | | O | | | | | | | | | |
| 731 23 14-01 | | JO | | | | | | | | | |
| 731 23 16-01 | | LO | | | | | | | | | |
| 731 23 18-01 | | FGHLMQ | | | | | | | | | |
| 731 23 20-51 | | EFK | | | | | | | | | |
| 732 21 14-01 | | B | | | | | | | | | |
| 732 21 16-01 | | EN | | | | | | | | | |
| 732 21 18-01 | | BEHILMN | | | | | | | | | |
| 732 21 20-51 | | CF | | | | | | | | | |
| 732 25 22-01 | | K | | | | | | | | | |
| 734 11 24-01 | | O | | | | | | | | | |
| 734 11 46-01 | | BO | | | | | | | | | |
| 734 11 53-01 | | E | | | | | | | | | |
| 734 11 53-41 | | N | | | | | | | | | |
| 734 11 56-01 | | H | | | | | | | | | |
| 734 11 64-01 | | EGILQ | | | | | | | | | |
| 734 11 64-41 | | HN | | | | | | | | | |
| 734 11 72-01 | | M | | | | | | | | | |
| 734 11 74-41 | | A | | | | | | | | | |
| 734 48 80-01 | | J | | | | | | | | | |
| 735 21 64-00 | | G | | | | | | | | | |
| 735 31 09-20 | | I | | | | | | | | | |
| 735 31 12-00 | | A | | | | | | | | | |
| 735 31 14-20 | | F | | | | | | | | | |
| 735 31 15-20 | | L | | | | | | | | | |
| 735 31 18-00 | | FH | | | | | | | | | |
| 735 31 18-20 | | K | | | | | | | | | |
| 735 31 22-00 | | D | | | | | | | | | |
| 735 31 26-00 | | HM | | | | | | | | | |
| 735 31 38-10 | | H | | | | | | | | | |
| 735 31 40-10 | | FH | | | | | | | | | |
| 735 58 35-01 | | E | | | | | | | | | |
| 738 21 04-04 | | H | | | | | | | | | |
| 738 21 05-04 | | H | | | | | | | | | |
| 738 21 10-04 | | H | | | | | | | | | |
| 738 22 04-19 | | FN | | | | | | | | | |
| 738 88 10-01 | | H | | | | | | | | | |
| 738 88 70-02 | | H | | | | | | | | | |
| 740 68 14-21 | | H | | | | | | | | | |

N=New part
 Neues teil
 Nouvelle piece
 Nueva pieza
 Ny detalj