

For Husqvarna Parts Call 606-678-9623 or 606-561-4983

ILLUSTRATED PARTS BREAKDOWN

12.0 HP LAWN RIDER

36" MOWER DECK

MODEL NUMBER LT920-12 (H1292A)

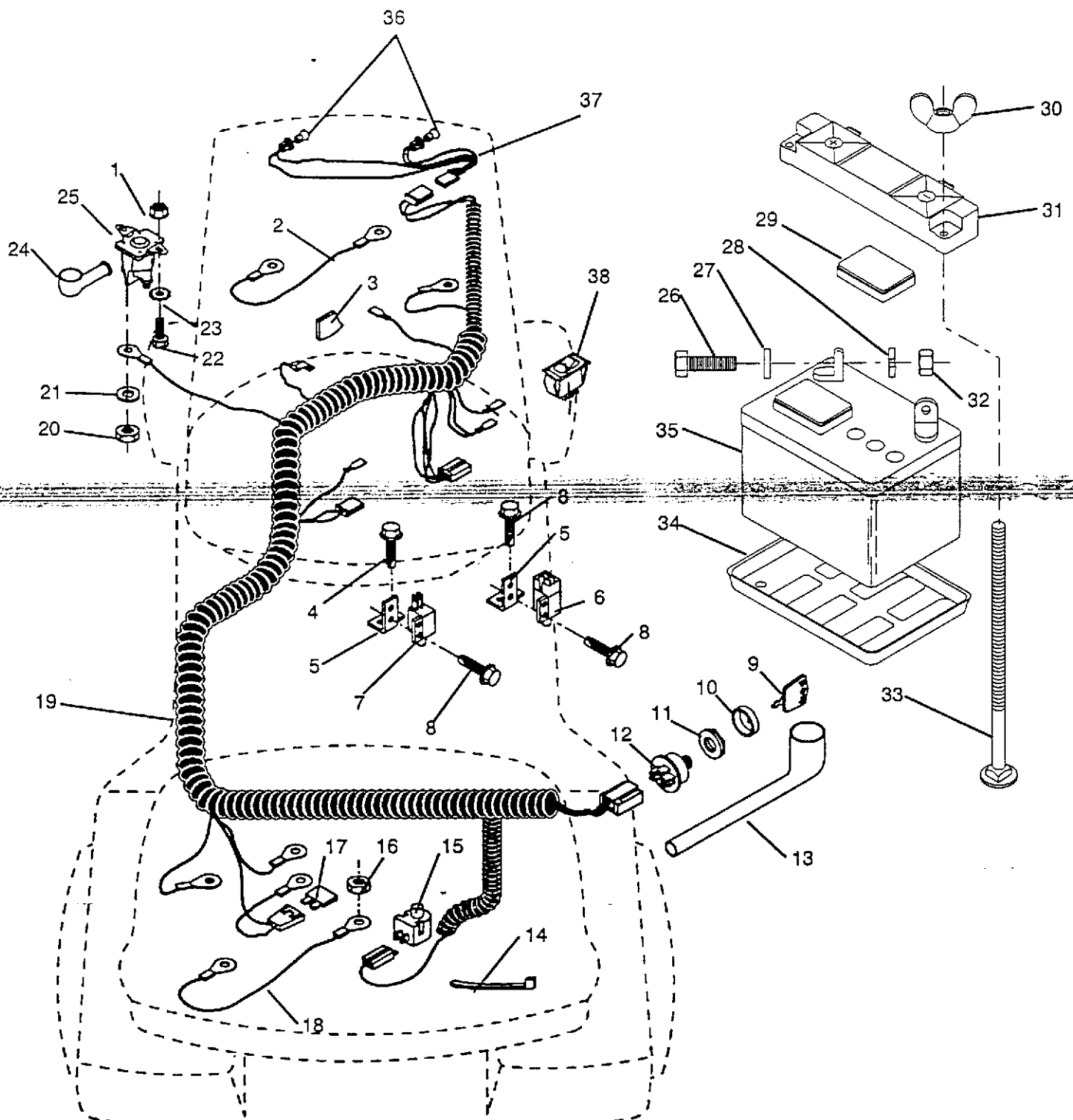
954 00 02-51

For Husqvarna Parts Call 606-678-9623 or 606-561-4983
ILLUSTRATED PARTS BREAKDOWN

TABLE OF CONTENTS

BRAKE / REAR MOWER LIFT ASM.	11
DASH	7
ENGINE / THROTTLE	12
ELECTRICAL	2-3
FENDER / CHASSIS	5
FRONT AXLE	10
GROUND DRIVE	13
HOOD	4
MOWER LIFT LEVER	15
MOWER DECK	16-19
SEAT	6
SECTOR GEAR / AXLE SUPPORT	9
STEERING WHEEL	8
TRANSAXLE	14

ELECTRICAL

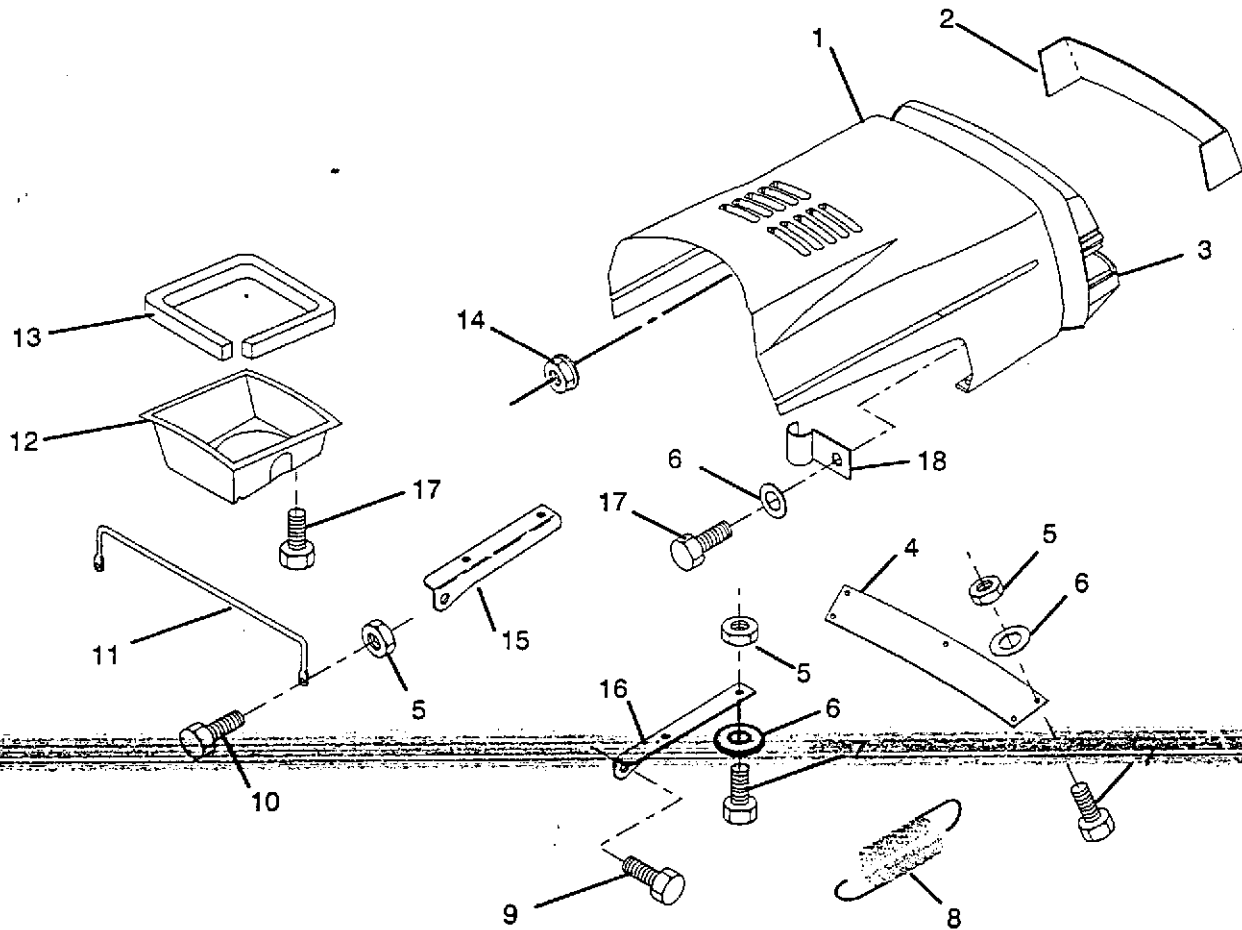


ELECTRICAL

KEY NO.	PART NO.	DESCRIPTION	KEY NO.	PART NO.	DESCRIPTION
1	873510400	Nut Hex Keps 1/4-20	23	811050400	Washer, Lock Ext. Tooth 1/4
2	532105002	Assembly, Cable	24	532124783	Cover, Terminal
3	532125760	Stop, Choke	25	532109081	Solenoid
4	817211008	Screw, Hex Wsh. Tap #10-16 x 1/2	26	874760412	Bolt, Hex Hd. 1/4-20 UNC x 3/4
5	532108236	Bracket, Switch	27	819091016	Washer 9/32 x 5/8 x 16 Ga.
6	532104445	Switch, Interlock	28	810040400	Washer, Lock Hvy. Helical Spring 1/4
7	532109553	Switch, Interlock	29	532121264	Cap, Battery
8	817021008	Screw, Tap Hex Hd. #10-24 x 1/2	30	532123198	Nut, Plastic, Locking Wing 1/4-20
9	532122147	Key, Molded	31	532102476	Guard, Terminal
10	532123620	Cover, Key Ignition	32	873220400	Nut, Fin. Hex 1/4-20 UNC
11	532124211	Nut, Ignition	33	872240460	Bolt, Carriage 1/4-20 UNC x 7-1/2
12	532125104	Switch, Ignition	34	532124886	Tray, Battery
13	532124083	Cover, Ignition Switch	35	532121265	Battery
14	532124756	Tie, Cable	36	532007662	Blub, Light
15	532121305	Switch, Plunger	37	532127441	Harness, Light Socket
16	873510500	Keps, Nut 5/16-18	38	532110712	Switch, Light
17	532108824	Fuse	-	532127393	Manual, Operator's
18	532000596	Assembly, Cable	-	271871	Briggs & Stratton, Operating and Maintenance Manual
19	532124190	Harness, Ignition	-	532101539	Sheet, Instruction Tractor 15° Slope (English)
20	873350400	Nut, Hex Jam 1/4-20	-	532101572	Sheet, Instruction Tractor 15° Slope (French)
21	810090400	Washer, Lock 1/4			
22	874780408	Bolt Fin. Hex 1/4-20 UNC x 1/2 Gr. 5			

HARDWARE SHOWN LARGER FOR EASIER IDENTIFICATION

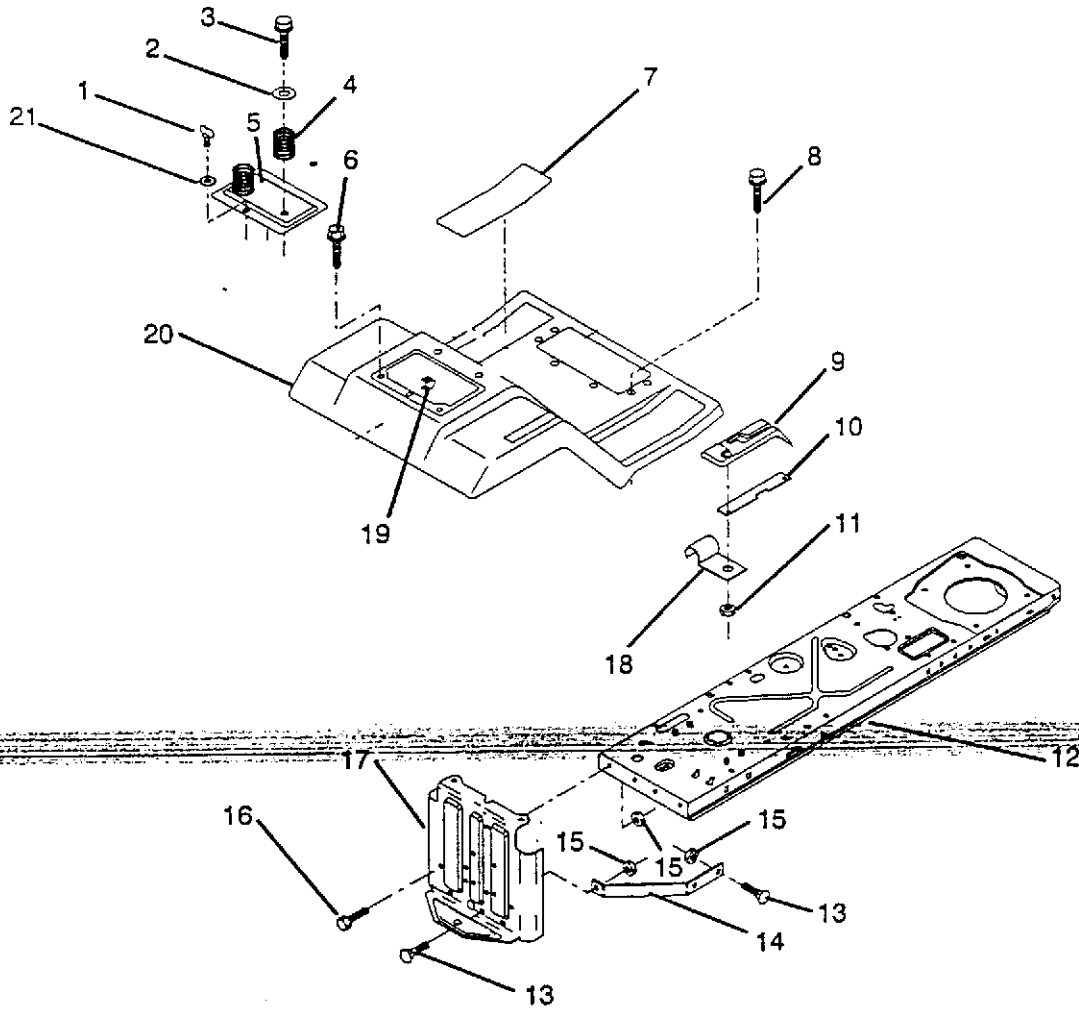
HOOD



KEY NO.	PART NO.	DESCRIPTION	KEY NO.	PART NO.	DESCRIPTION
1	532124968	Hood	12	532123840	Duct, Air
2	532127659	Lens, Plate, Grill	13	532120537	Strip, Foam
3	532127733	Grill	14	532124346	Nut, Self-Thd wsh-hd. 3/16
4	532124969	Strap, Grill	15	532122548	Bracket, Hood L.H.
5	873510400	Nut, Hex, Keps 1/4-20	16	532122549	Bracket, Hood R.H.
6	819091016	Washer, 9/32 x 5/8 x 16 Ga.	17	817411310	Screw, Fin. Hex #13-16 Hi-Lo x 5/8
7	874780410	Bolt, Hex Fin. 1/4 - 20 UNC 5/8 Gr. 5	18	532124996	Clip, Fuel Line
8	532124657	Extension, Spring	-	532127420	Decal, Grill Logo
9	532126675	Bolt, Shoulder	-	532126036	Decal, Grill Stripe
10	874780410	Bolt, Hex Fin. 1/4-20 x 5/8 Gr. 5	-	532127679	Decal, Stripe Hood R.H.
11	532123693	Brace, Hood	-	532127678	Decal, Stripe Hood L.H.

HARDWARE SHOWN LARGER FOR EASIER IDENTIFICATION

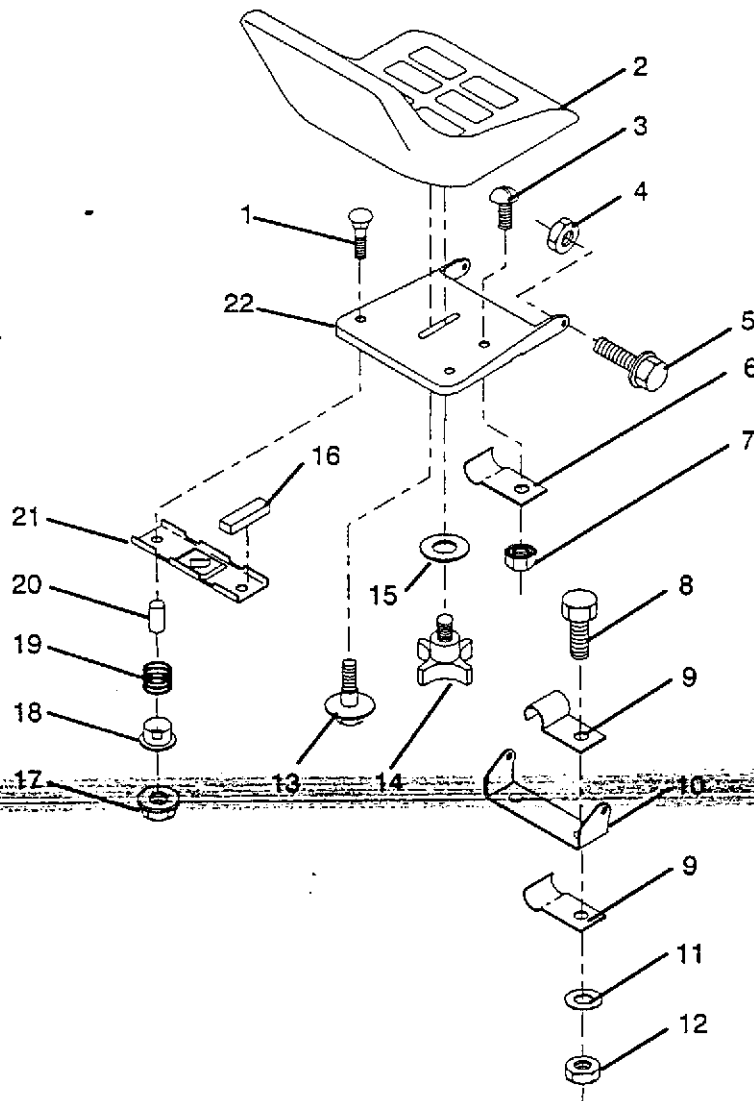
FENDER / CHASSIS



KEY NO.	PART NO.	DESCRIPTION	KEY NO.	PART NO.	DESCRIPTION
1	532123650	Stud 1/4 Turn	13	872140506	Bolt, Carriage 5/16-18 UNC x 3/4
2	819132012	Washer 13/32 x 1- 1/4 x 12 Ga.	14	532123379	Brace, Drawbar
3	817490612	Screw, Hex Wsh. Thrdrol. 3/8-16 x 3/4	15	873680500	Nut, Crownlock 5/16-18
4	532124181	Spring, Compression, Seat	16	874760512	Bolt, Hex Hd. 5/16-18 UNC x 3/4
5	532124971	Door, Fender	17	532121904	Drawbar
6	817490508	Screw, Hex Wsh. Thrdrol. 5/16-18 x 1/2	18	532126470	Clip, Insulated
7	532126700	Pad, Footrest	19	532105839	Receptacle, 1/4 Turn
8	817490512	Screw, Hex Wsh. Thrdrol. 5/16-18 x 3/4	20	532124970	Fender/Footrest
9	532126995	Console, Shift Control	21	532105838	Retainer, 1/4 Turn
10	532124305	Bar, Shift Lock	-	532125690	Decal, 100 DBA
11	532124346	Nut	-	532123637	Decal, Operating Instructions (French)
12	532123645	Assembly, Frame	-	532126392	Decal, Operating Instructions (English)

HARDWARE SHOWN LARGER FOR EASIER IDENTIFICATION

SEAT

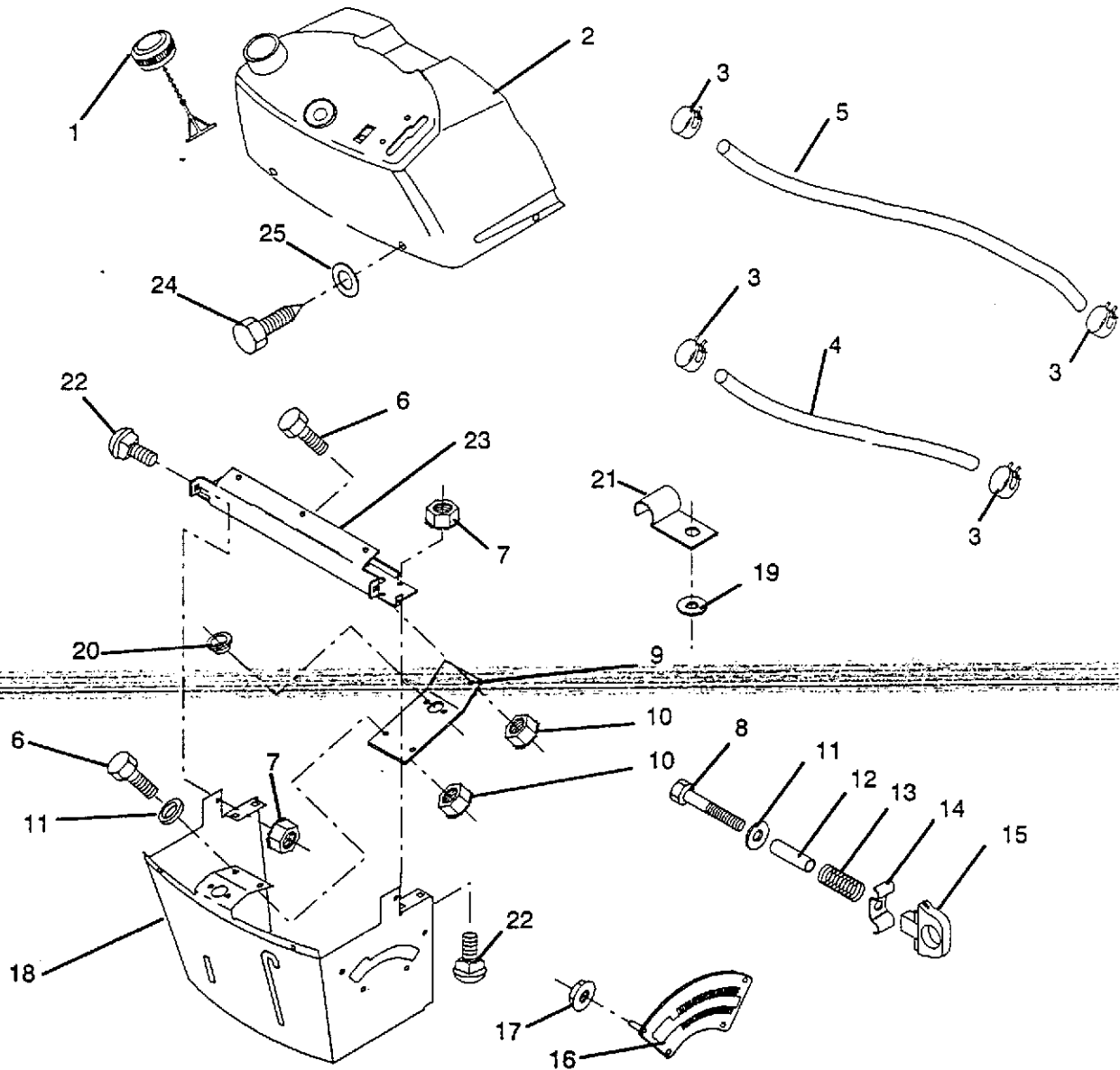


KEY NO.	PART NO.	DESCRIPTION	KEY NO.	PART NO.	DESCRIPTION
1	872170410	Bolt, Carriage 1/4-20 x 1-1/4	13	532127018	Bolt, Shoulder
2	532127398	Seat	14	532120068	Knob, Seat 1/2"
3	874641008	Screw, Slotted Pan Head #10-32 x 1/2	15	819171912	Washer 17/32 x 1-3/16 x 12 Ga.
4	873680500	Nut, Crownlock 5/16-18	16	532121251	Strip, Foam
5	532105529	Bolt, Shoulder 5/16-18 UNC	17	532123976	Nut, Hex, Large, Flange Lock
6	532004171	Clip, Insulated	18	532121248	Bushing, Snap
7	873951000	Nut, Keps #10-32 UNF	19	532121250	Spring, Compression
8	874760612	Bolt, Fin. Hex 3/8-16 UNC x 3/4	20	532121249	Spacer, Split 28 Id. x .88 Large
9	532126471	Clip, Insulated	21	532121246	Bracket, Switch, Mounting
10	532126656	Bracket, Pivot, Seat	22	532124294	Pan, Seat
11	819131210	Washer 13/32 x 3/4 x 10 Ga.			
12	873680600	Nut, Crownlock 3/8-16 UNC			

NOTE: All component dimensions given in U.S. inches
1 inch = 25.4 mm

HARDWARE SHOWN LARGER FOR EASIER IDENTIFICATION

DASH

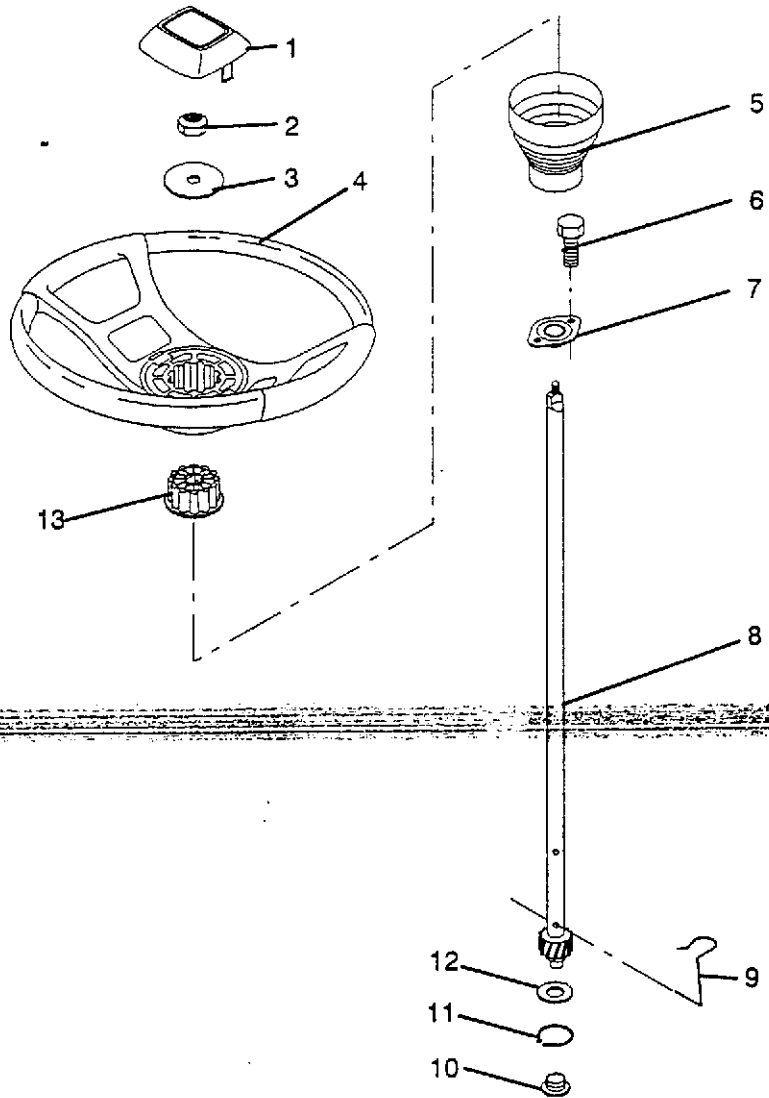


KEY NO.	PART NO.	DESCRIPTION	KEY NO.	PART NO.	DESCRIPTION
1	532122015	Cap, Fuel	15	532126115	Knob, Height Stop
2	532127390	Assembly, Dash & Fuel Tank	16	532122023	Adjustment, Quadrant Height
3	532123487	Clamp, Hose	17	532124346	Nut, Self Thread 3/16-18
4	532008548	Line, Fuel	18	532121789	Support, Dash
5	532008544	Line, Fuel	19	819091216	Washer 9/32 x 3/4 x 16 Ga.
6	874780412	Bolt, Hex, 1/4-20 x 3/4	20	532110436	Grommet, Split
7	873510400	Nut, Hex Keps 1/4-20	21	532124996	Clip, Fuel line
8	874760432	Bolt, Fin. Hex 1/4-20 x 1 1/2	22	872110404	Bolt, Carriage 1/4-20 x 1/2 Gr.5
9	532130051	Plate, Support	23	532122016	Brace, Cross
10	873690400	Nut, Lock 1/4-20	24	532130052	Screw, Self Tapping 1/4-20 x 1/2
11	819111116	Washer, 11/32 x 11/16 x 16	25	819090816	Washer 9/32x1/2 x 16 Ga.
12	532123494	Spacer, Split			
13	532124874	Spring			
14	532123493	Knob, Height Retainer			

NOTE: All component dimensions given in U.S. inches
1 inch = 25.4 mm

HARDWARE SHOWN LARGER FOR EASIER IDENTIFICATION

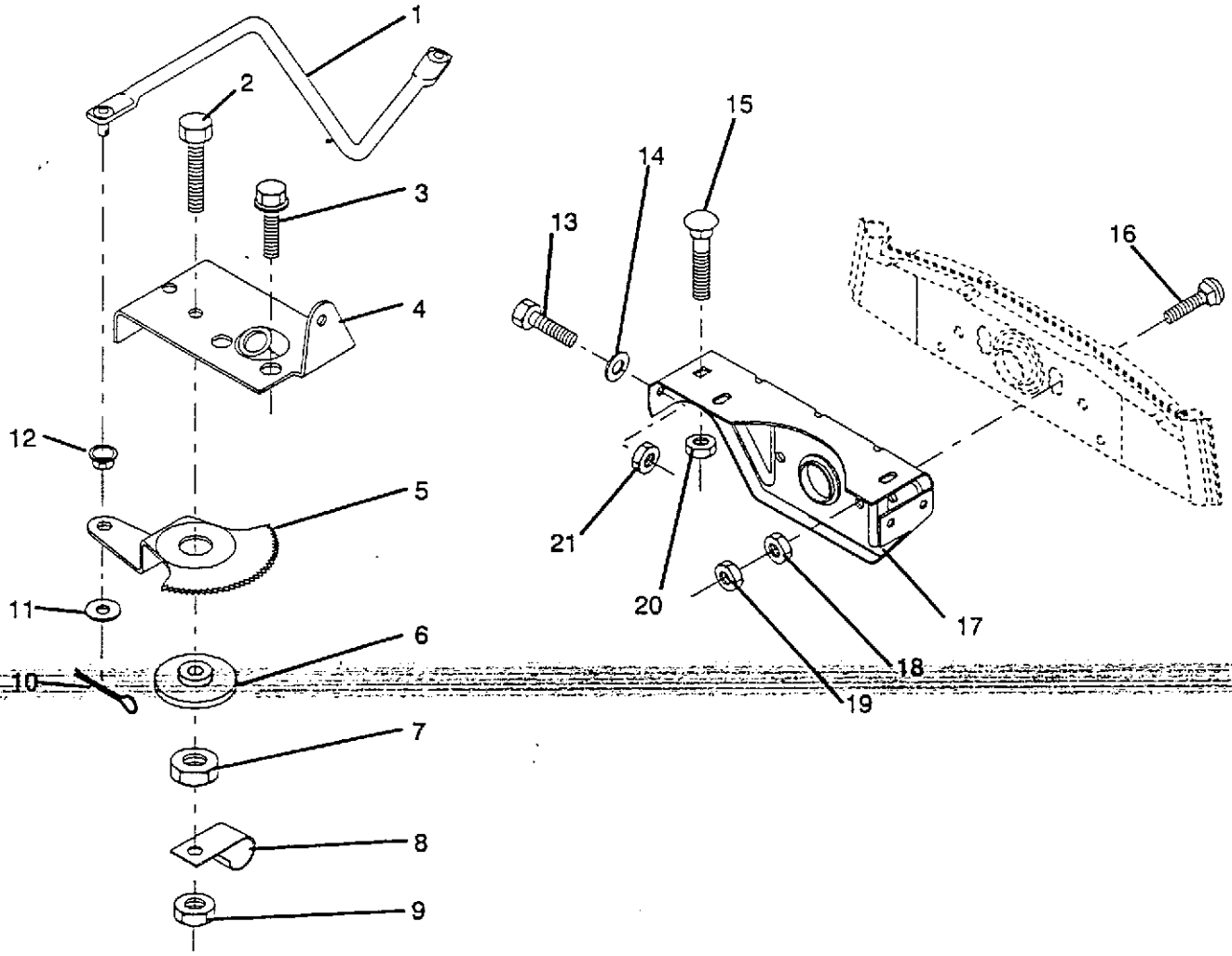
STEERING WHEEL



KEY NO.	PART NO.	DESCRIPTION	KEY NO.	PART NO.	DESCRIPTION
1	532124416	Insert, Wheel, Steering	7	532102803	Bushing, Steering
2	532124701	Nut, Lock 3/8-24 UNF	8	532123651	Shaft, Steering
3	819133808	Washer 13/32 x 2-3/8 x 8 Ga.	9	532124210	Clip, Steering
4	532124415	Wheel, Steering	10	532123438	Bushing, Lower, Steering
5	532127396	Sleeve, Steering	11	812000045	Ring, Retaining
6	817431008	Screw, Hex SLFTP #10-16 x 1/2 TY-B	12	819211616	Washer 21/32 x 1 x 16 Ga.
			13	532104820	Adaptor, Wheel, Steering

HARDWARE SHOWN LARGER FOR EASIER IDENTIFICATION

SECTOR GEAR / AXLE SUPPORT

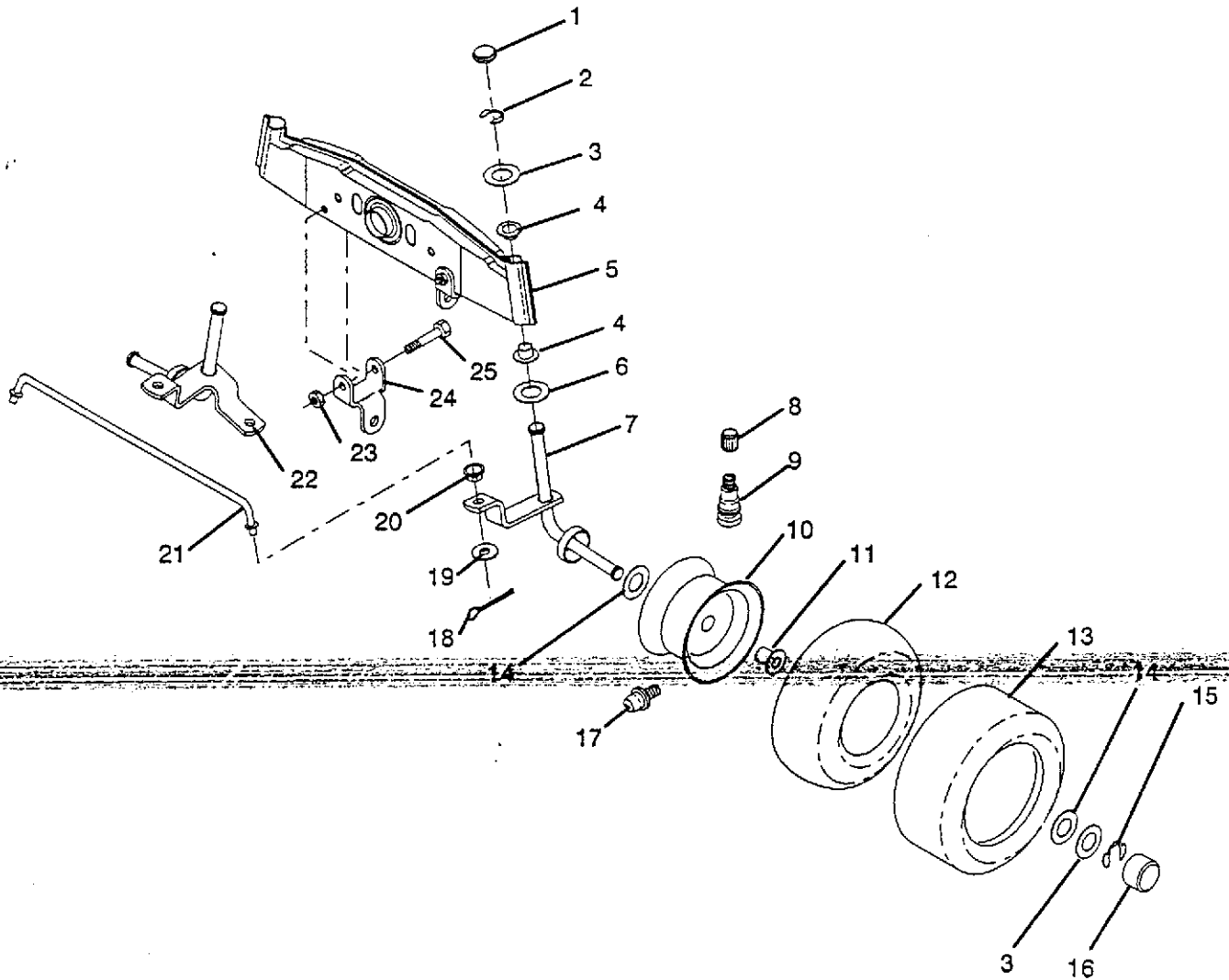


KEY NO.	PART NO.	DESCRIPTION	KEY NO.	PART NO.	DESCRIPTION
1	532124093	Link, Drag	11	819131316	Washer, 13/32 x 13/16 x 16 Ga.
2	874780828	Bolt, Fin. Hex 1/2-13 x 1-3/4	12	532126847	Bushing
3	817490508	Screw Hex Thrdrol 5/16-18 x 1/2	13	874760512	Bolt, Hex Hd. 5/16-18 UNC x 3/4
4	532121925	Plate, Steering Support	14	819111416	Washer 11/32 x 7/8 x 16 Ga.
5	532121926	Gear, Sector	15	872110606	Bolt, Carriage 3/8-16 UNC x 3/4
6	532121927	Bushing	16	872140622	Bolt, Carriage
7	873030800	Nut, Heavy Hex Top Lock 1/2-13 UNC	17	532121912	Support, Front Axle
8	532126472	Clip, Insulated	18	873220600	Nut, Fin. Hex 3/8-16 UNC
9	873680800	Nut, Crownlock 3/8-16	19	873930600	Nut, Centerlock 3/8-16 UNC
10	876020412	Pin, Cotter 1/8 x 3/4	20	873680600	Nut, Crownlock 3/8-16 UNC
			21	873680500	Nut, Crownlock 5/16-18

HARDWARE SHOWN LARGER FOR EASIER IDENTIFICATION

ILLUSTRATED PARTS BREAKDOWN

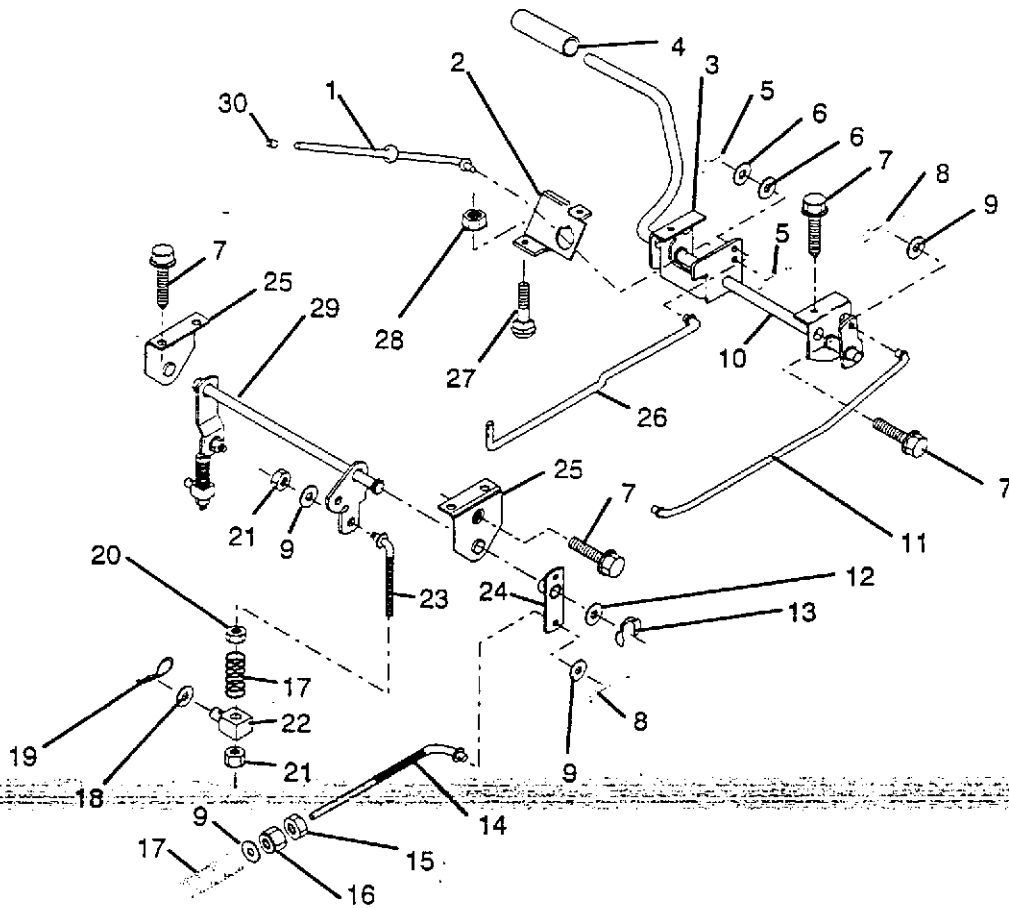
FRONT AXLE



KEY NO.	PART NO.	DESCRIPTION	KEY NO.	PART NO.	DESCRIPTION
1	532121232	Cap, Spindle	14	532121749	Washer 25/32 x 1-1/4 x 16 Ga.
2	812000029	Ring, Clip	15	812000029	Ring, Clip
3	532121748	Washer 25/32 x 1-5/8 x 16 Ga.	16	532104757	Cap, Axle
4	532121922	Nyliner	17	532000278	Fitting, Grease
5	532121914	Axle, Front	18	876020412	Pin, Cotter 1/8 x 3/4
6	532124931	Bearing, Thrust	19	819131316	Washer 13/32 x 13/16 x 16 Ga.
7	532121919	Spindle R.H. Asm.	20	532126847	Bushing
8	532059192	Cap, Valve	21	532121924	Rod, Tie
9	532065139	Stem, Valve	22	532121916	Spindle, L.H. Asm.
10	532124972	Rim	23	873680500	Nut, Crownlock 5/16-18
11	532009040	Bearing, Flange	24	532121915	Bracket, Front Stabilizer Link
12	532059904	Tube	25	874760540	Bolt, Hex, Fin. 5/16 x 18 UNC x 2-1/2
13	532123410	Tire, Front			

HARDWARE SHOWN LARGER FOR EASIER IDENTIFICATION

BRAKE / REAR MOWER LIFT ASSEMBLY

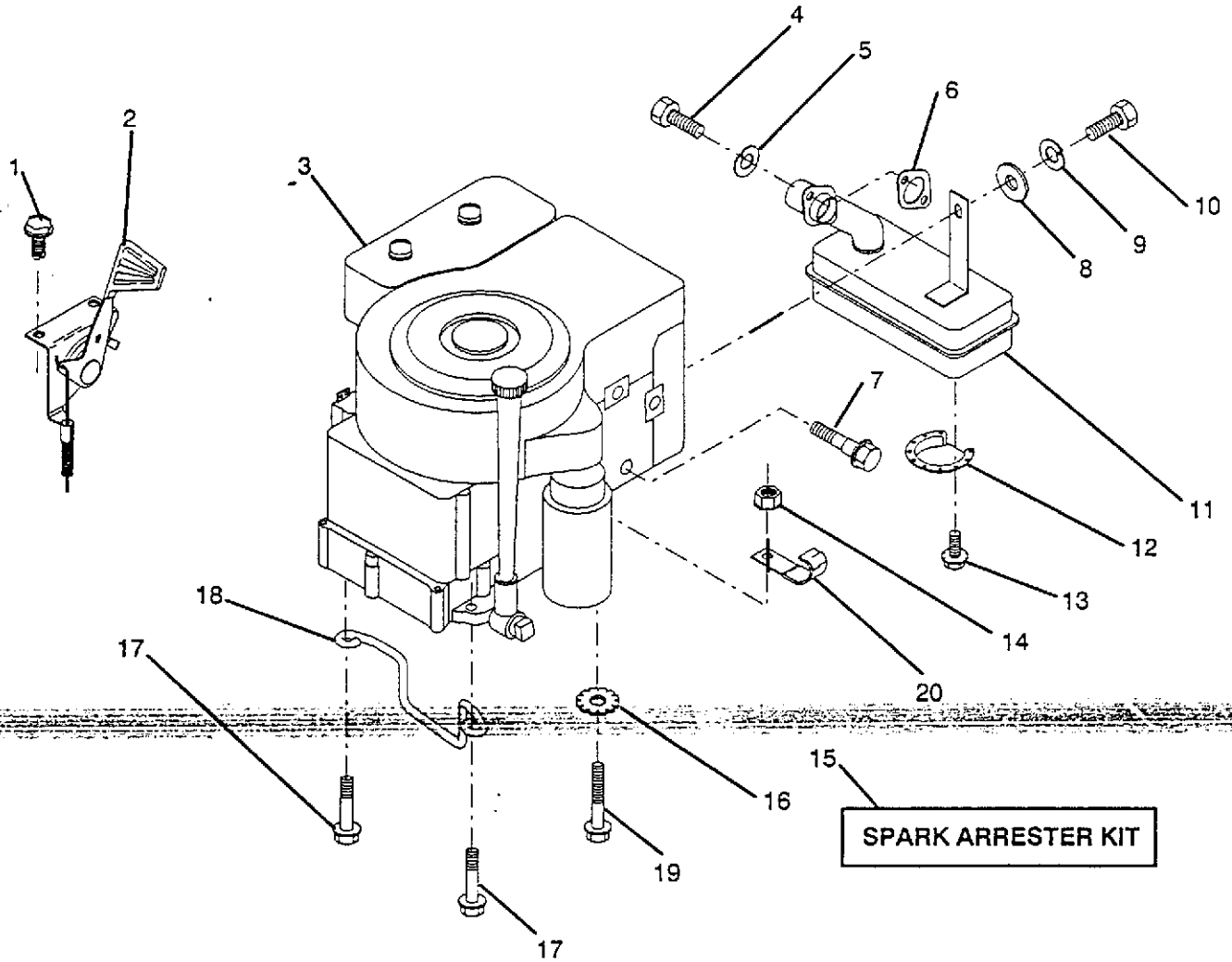


KEY NO.	PART NO.	DESCRIPTION	KEY NO.	PART NO.	DESCRIPTION
1	532123436	Rod, Parking Brake	16	873800600	Nut, Lock, Hex with Wsh Insert 3/8-16 UNC
2	532123437	Bracket, Parking Brake	17	532106888	Spring, Brake Rod
3	532122504	Bracket, L.H. Clutch Pedal	18	819132012	Washer 13/32 x 1-1/4 x 12 Ga.
4	532124872	Cover, Pedal	19	532004921	Spring, Retainer
5	876020312	Pin, Cotter	20	873930600	Nut, Centerlock 3/8-16 UNC
6	819131016	Washer, 13/32 x 5/8 x 16 Ga.	21	873680600	Nut, Crownlock 3/8-16 UNC
7	817490508	Screw Hex Thdrol 5/16-18 x 1/2	22	532106204	Trunnion, Lift
8	876020412	Pin, Cotter	23	532123672	Link, Threaded
9	819131316	Washer 13/32 x 13/16 x 16 Ga.	24	532123641	Assembly, Brake Pivot Arm
10	532129567	Assembly, Clutch/Brake Pedal	25	532121978	Bracket, Lift Shaft
11	532123543	Rod, Front Brake	26	532123394	Rod, Clutch
12	819251816	Washer 25/32 x 1-1/8 x 16 Ga.	27	872110506	Bolt, Carriage 5/16-18 UNC x 3/4
13	812000034	Ring, Clip	28	873510500	Nut, Keps 5/16-18 UNC
14	532126759	Rod, Rear Brake	29	532123547	Assembly, Rear Mower Lift
15	873350600	Nut, Hex Jam 3/8-16 UNC	30	532071673	Cap, Plunger

HARDWARE SHOWN LARGER FOR EASIER IDENTIFICATION

ILLUSTRATED PARTS BREAKDOWN

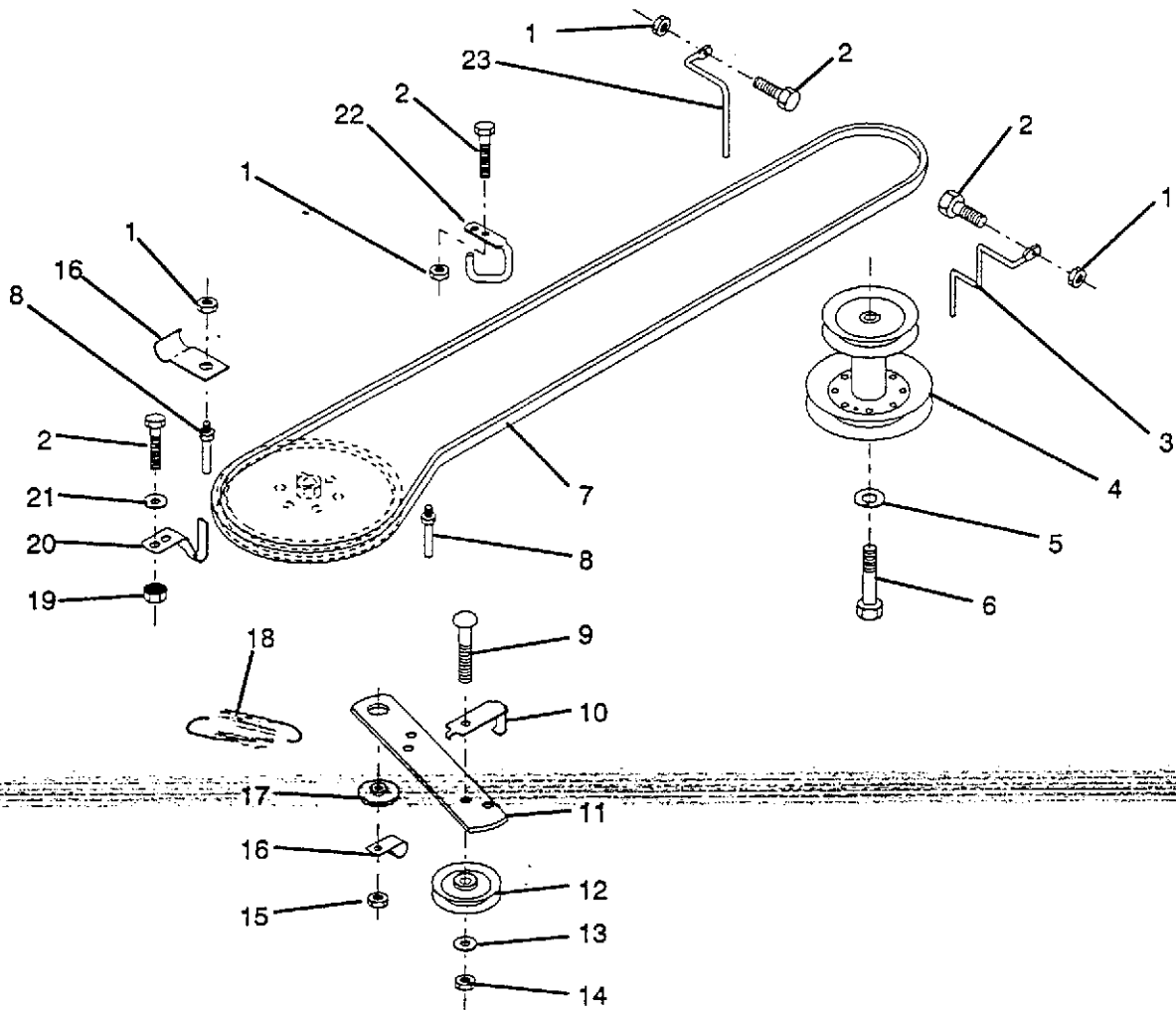
ENGINE / THROTTLE



KEY NO.	PART NO.	DESCRIPTION	KEY NO.	PART NO.	DESCRIPTION
1	817720408	Screw, Hex Thd. Cut 1/4-20 x 1/2	11	532123676	Muffler
2	532125985	Control, Throttle	12	532101326	Deflector, Muffler
3	532124136	Engine, Briggs and Stratton Model No. 281707 Type No. 0122-01	13	817030808	Screw, Spiderlock Hex Hd. 8 x 1/2 ABTPS
4	871070512	Screw, Hex, Cap 5/16 - 18 x 3/4	14	873510600	Nut, Keps 3/8-16
5	810040500	Washer, Lock Heavy Helical Spring 5/16	15	532121851	Arrester, Spark (optional equipment)
6	532125593	Gasket, Exhaust	16	811050600	Lock Washer, Ext. Tooth 3/8
7	532121094	Bolt, Shoulder 5/16	17	817490624	Screw, Hex Wsh Hd Thdrol 3/8-16 x 1 1/2
8	819101216	Washer, 5/16 x 3/4 x 16 Ga.	18	532126636	Keeper, Ground Drive Belt
9	810040400	Washer, Lock Heavy Helical Spring 1/4	19	817490632	Screw, Hex Wsh Hd Thdrol 3/8 - 16 x 2
10	874780412	Bolt, Hex Fin. 1/4-20 UNC x 1-1/2	20	532124996	Clip, Fuel Line
			-	532120601	Decal, Engine

HARDWARE SHOWN LARGER FOR EASIER IDENTIFICATION

GROUND DRIVE

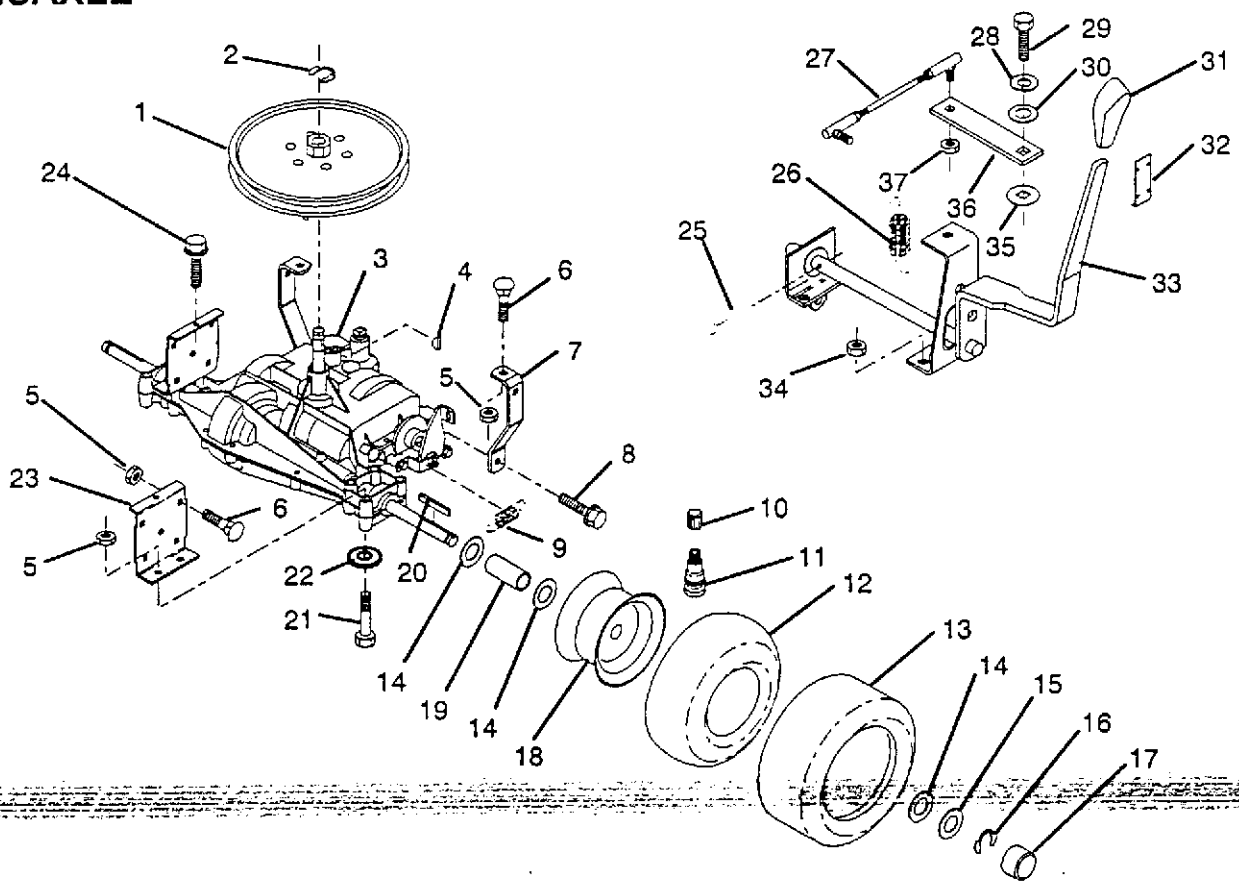


KEY NO.	PART NO.	DESCRIPTION	KEY NO.	PART NO.	DESCRIPTION
1	873680500	Nut, Crownlock 5/16-18	11	532123395	Arm, Ground Drive Clutch
2	874760512	Bolt, Hex Hd. 5/16-18 UNC x 3/4	12	532004859	Idler, Flat
3	532123448	Keeper, Engine Mower Drive R.H. Belt	13	819131316	Washer 13/32 x 13/16 x 16 Ga.
4	532123400	Pulley, Engine	14	873930600	Nut, Centerlock 3/8-16 UNC
5	810040700	Washer, Lock Hvy. Helical Spring 7/16	15	873680600	Nut, Crownlock 3/8-16 UNC
6	871130720	Bolt, Fin. Hex 7/16-20 UNF x 1-1/4 Gr. 8	16	532126471	Clip, Insulated
7	532126520	Traction, V-Belt Drive	17	532122052	Spacer, Retainer
8	532123405	Keeper, T/A Ground Drive Belt	18	532123397	Spring, Extension
9	872140612	Bolt, Carriage 3/8-16 UNC x 1-1/2	19	873510500	Nut, Keps 5/16-18 UNC
10	532123396	Keeper, Belt Ground Drive Idler	20	532123891	Keeper, T/A Ground Drive Belt
			21	819111016	Washer 11/32 x 5/8 x 16 Ga.
			22	532123404	Keeper, Frame Ground Drive Belt
			23	532123402	Keeper, Engine Mower Drive L.H. Belt

HARDWARE SHOWN LARGER FOR EASIER IDENTIFICATION

ILLUSTRATED PARTS BREAKDOWN

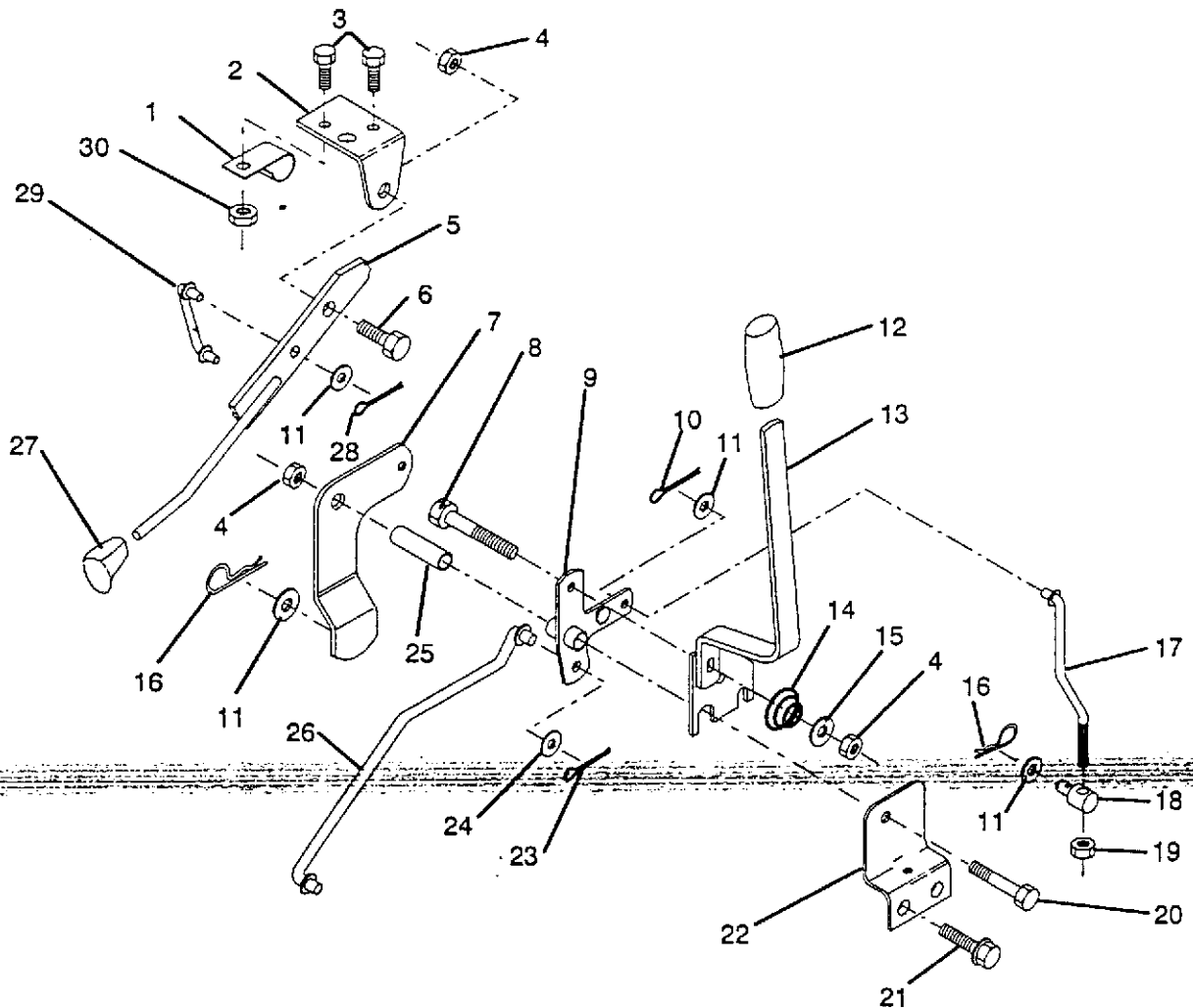
TRANSAXLE



KEY NO.	PART NO.	DESCRIPTION	KEY NO.	PART NO.	DESCRIPTION
1	532123385	Pulley	20	532123583	Key, Square
2	812000028	Ring, Retainer	21	874760540	Bolt, Fin, Hex 5/16-18 x 2-1/2
3	532127054	Transaxle, Peerless 6 Speed Model Number 930-028	22	819111116	Washer 11/32 x 11/16 x 16 Ga.
4	532125096	Key, Woodruff #9	23	532123377	Bracket, Transaxle
5	873680500	Nut, Crownlock 5/16-18	24	817490512	Screw, 5/16-18 x 3/4
6	872140506	Bolt, Carriage 5/16-18 UNC x 3/4	25	876020416	Pin, Cotter 1/8 X 1
7	532123378	Strap, Torque	26	532123393	Spring, Extension
8	817490508	Screw, Hex Thdrol. 5/16-18 x 1/2	27	532126293	Link, Shift
9	532110422	Spring, Brake	28	810040400	Washer, Lock Hvy. Helical Spring 1/4
10	532059192	Cap, Valve	29	871040412	Bolt, Fin, Hex 1/4-28 UNF x 3/4 Gr.8
11	532065139	Stem, Valve	30	819091210	Washer 9/32 x 3/4 x 10 Ga.
12	532008134	Tube	31	532122011	Knob, Shift Control
13	532123411	Tire, Rear	32	532123692	Retainer, Knob
14	532121749	Washer 25/32 x 1-1/4 x 16 Ga.	33	532125976	Assembly, Shift Handle
15	532121748	Washer 25/32 x 1-5/8 x 16 Ga.	34	873510500	Nut, Keps 5/16-18
16	812000001	E-Ring	35	532105701	Washer, Shift Plate
17	532104757	Cap, Axle	36	532126292	Arm, Shift
18	532124973	Rim	37	873810500	Nut, Hex Nylon 5/16-24
19	532123409	Spacer			

HARDWARE SHOWN LARGER FOR EASIER IDENTIFICATION

MOWER LIFT LEVER

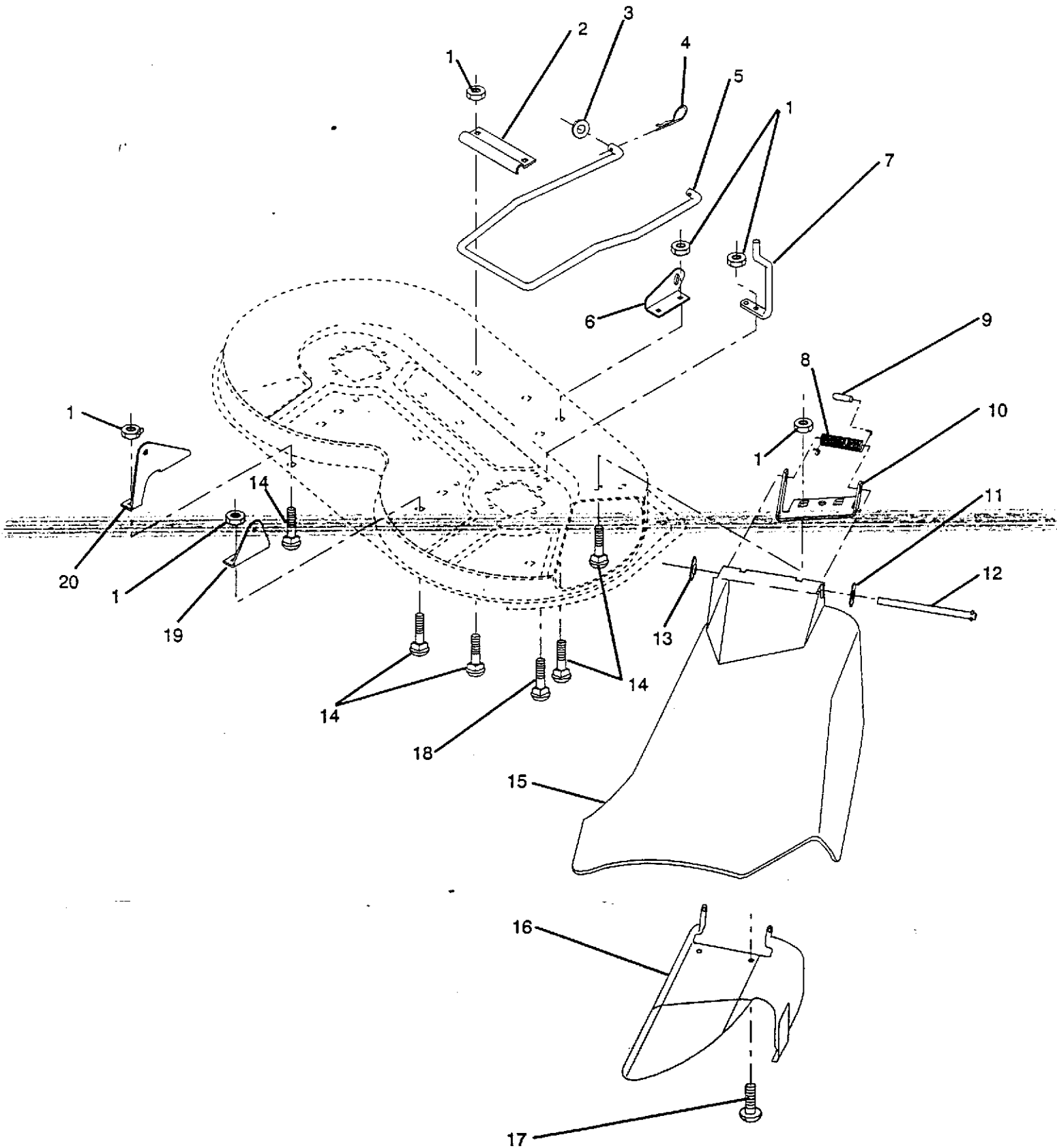


KEY NO.	PART NO.	DESCRIPTION	KEY NO.	PART NO.	DESCRIPTION
1	532126470	Clip, Insulated	16	532004921	Retainer, Spring
2	532122018	Bracket, Mower Clutch	17	532123654	Link, Front Lift
3	874780408	Bolt, Fin. Hex 1/4-20 Unc x 1/2 Gr. 5	18	532007078	Trunnion, Threaded 3/8-16
4	873680600	Nut, Crownlock 3/8-16 UNC	19	873350600	Nut, Hex Jam 3/8 x 16 UNC
5	532123417	Assembly, Clutch Lever	20	874760644	Bolt, Fin. Hex 3/8-16 UNC x 2-3/4
6	532106451	Bolt, Shoulder	21	817490508	Screw, Hex Thdrol. 5/16-18 x 1/2
7	532123491	Assembly, Mower Clutch Arm	22	532121929	Bracket, Mower Height
8	874760636	Bolt, Hex 3/8-16 UNC x 2-1/4	23	876020416	Pin, Cotter 1/8 x 1
9	532121930	Assembly, Bellcrank Lift	24	819171616	Washer 17/32 x 1 x 16 Ga.
10	876020412	Pin, Cotter 1/8 x 3/4	25	532121933	Tube, Spacer
11	819131316	Washer, 13/32 x 13/16 x 16 Ga.	26	532121934	Rod, Mower Lift
12	532122027	Grip, Handle	27	532121466	Knob
13	532127028	Assembly, Lift Handle	28	876020312	Pin, Cotter 3/32 x 3/4
14	532123496	Spring, Compression	29	532123671	Link, Mower Clutch
15	819131212	Washer, 13/32 x 3/4 x 12 Ga.	30	873680400	Nut, Crownlock 1/4-20

HARDWARE SHOWN LARGER FOR EASIER IDENTIFICATION

ILLUSTRATED PARTS BREAKDOWN

MOWER DECK



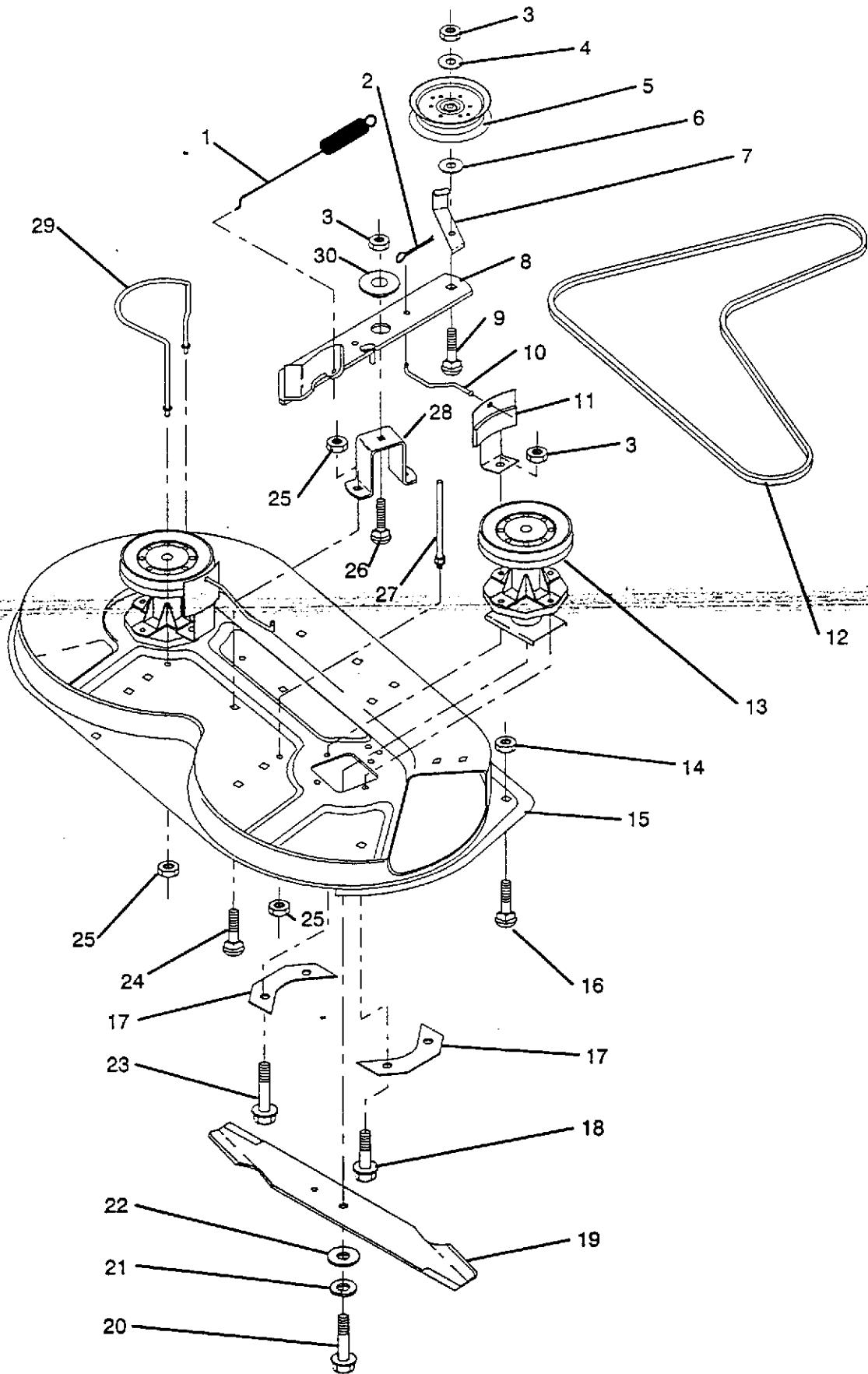
ILLUSTRATED PARTS BREAKDOWN

MOWER DECK

KEY NO.	PART NO.	DESCRIPTION	KEY NO.	PART NO.	DESCRIPTION
1	873680500	Nut Crownlock 5/16-18	13	532110452	Pushnut
2	532122047	Bracket, Stabilizer Link	14	872140505	Bolt, Carriage 5/16-18 UNC x 5/8
3	819171713	Washer 17/32 x 1-1/16 x 13 Ga.	15	532126370	Guard, Discharge
4	532004921	Retainer, Spring	16	532125629	Assembly, Deflector Support
5	532124636	Stabilizer, Mower Link	17	817051007	Screw, Pan Hd. PLT-30
6	532122045	Bracket, R.H. Front Lift	18	874760512	Bolt, Hex Head 5/16-18 UNC x 3/4
7	532123661	Guide, Front Mandrel R.H. Mower Belt	19	532122043	Bracket, R.H. Rear Lift
8	532123713	Spring, Torsion	20	532122044	Bracket, L.H. Rear Lift
9	532105304	Cap, Sleeve	-	532123658	Decal, Warning (Fr/Eng)
10	532126361	Bracket, Deflector	-	532123649	Decal, Shield Deflector (Fr/Eng)
11	819111016	Washer 11/32 x 5/8 x 16 Ga.	-	532109820	Decal, Instruction, Caution (Ro- tating Blades) (Fr/Eng)
12	532121980	Rod, Hinge			

HARDWARE SHOWN LARGER FOR EASIER IDENTIFICATION

MOWER DECK



MOWER DECK

KEY NO.	PART NO.	DESCRIPTION	KEY NO.	PART NO.	DESCRIPTION
1	532122028	Spring, Mower Clutch	18	817490614	Screw Hex Thdrol. 3/8-16 x 7/8
2	876020312	Pin, Cotter 3/32 x 3/4	19	532126338	Blade, 60 Degree High Lift
3	873680600	Nut, Crownlock 3/8-16 UNC	20	874610624	Bolt, Fin. Hex 3/8-24 UNF x 1-1/2 Gr. 5
4	819131412	Washer 13/32 x 7/8 x 12 Ga.	21	810030600	Washer, Lock Hvy.3/8
5	532121316	Idler, Flat	22	819132012	Washer 13/32 x 1-1/4 x 12 Ga.
6	819132203	Washer 13/32 x 1-3/8 x 13 Ga.	23	817490620	Screw Hex Thdrol. 3/8-16 x 1-1/4
7	532126756	Guide, Belt	24	872140505	Bolt, Carriage 5/16-18 UNC x 5/8
8	532123702	Assembly, Mower Idler Arm	25	873680500	Nut, Crownlock 5/16-18
9	872110618	Bolt, Carriage 3/8-16 x 2-1/4	26	872110608	Bolt, Carriage 3/8-16 UNC x 1 Gr. 5
10	532122049	Rod, Brake	27	532123439	Guide, R.H. Rear Belt
11	532106578	Assembly, Brake	28	532122051	Support, Idler Arm
12	532124293	V-Belt	29	532123673	Guide, L.H. Belt
13	532124207	Assembly, Mandrel	30	532122052	Spacer, Retainer
14	873680400	Nut, Crownlock 1/4-20			
15	532126410	Housing, Mower 36"			
16	872140404	Bolt, Carriage 1/4-20 x 1/2			
17	532100668	Support, Plate Jackshaft			

HARDWARE SHOWN LARGER FOR EASIER IDENTIFICATION