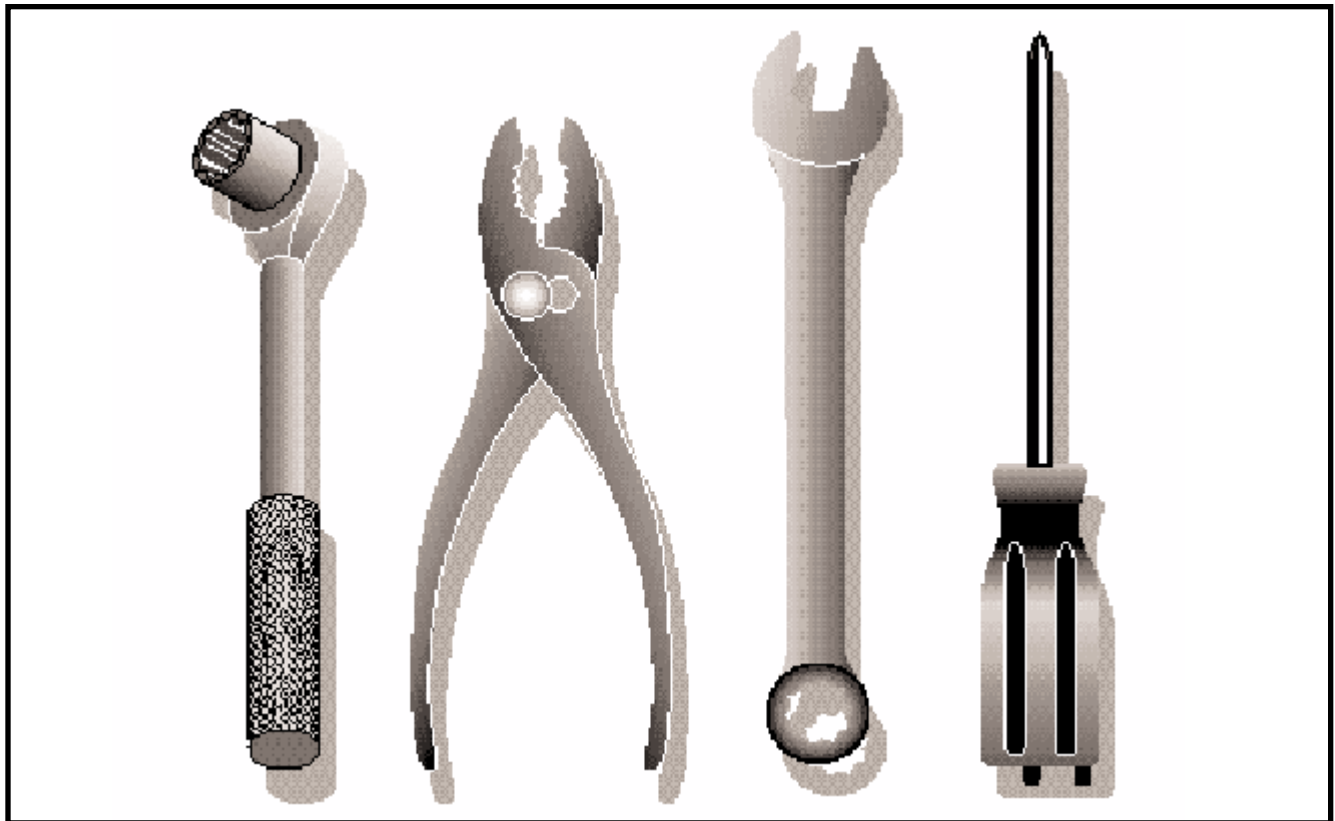




Illustrated Parts List	1993-12
	I9300019

GSB 42

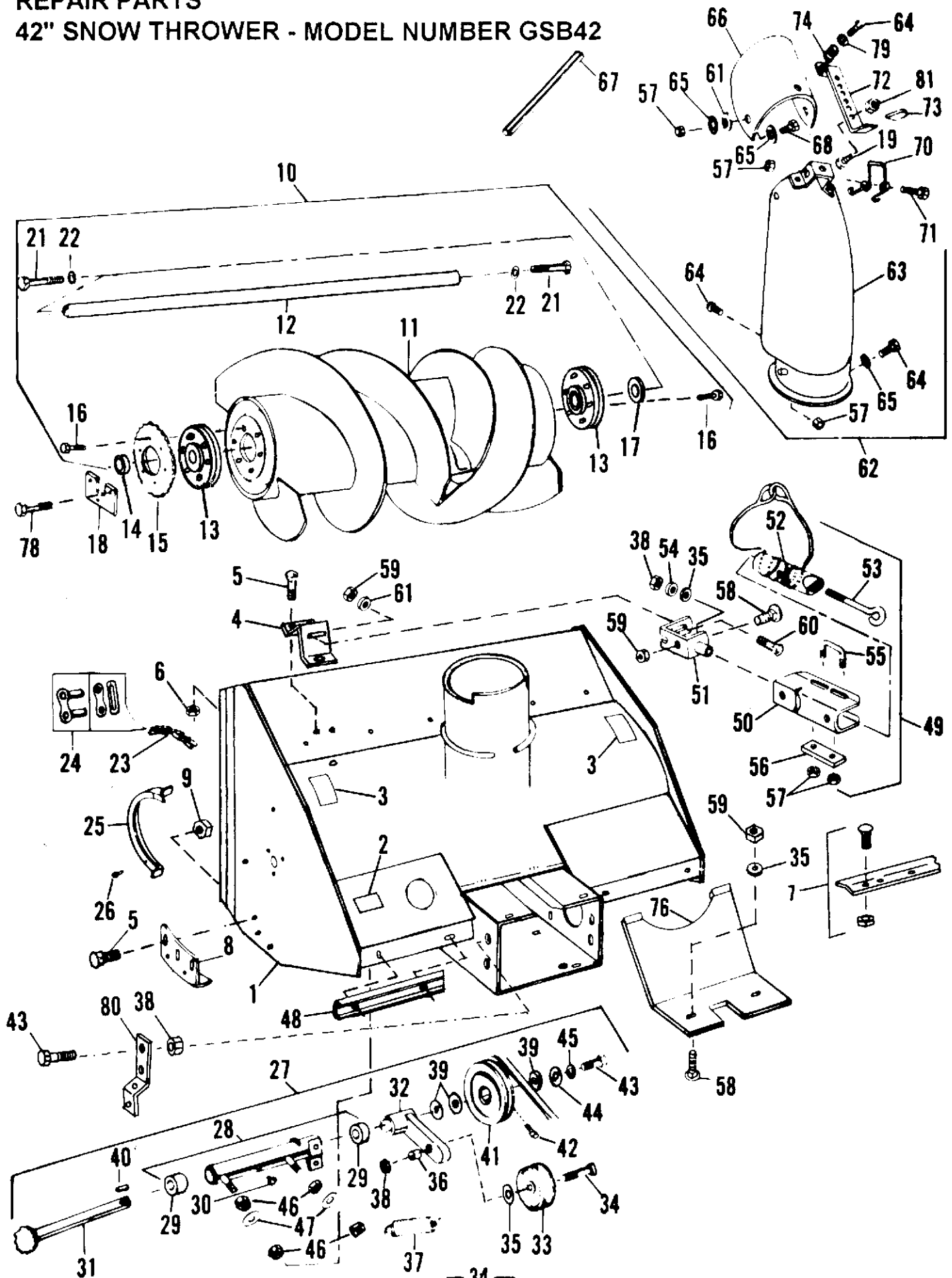
42" Snow Thrower Attachment



Repair Parts Manual

Ride Mower Accessory

For Husqvarna Parts Call 606-678-9623 or 606-561-4983
REPAIR PARTS
42" SNOW THROWER - MODEL NUMBER GSB42

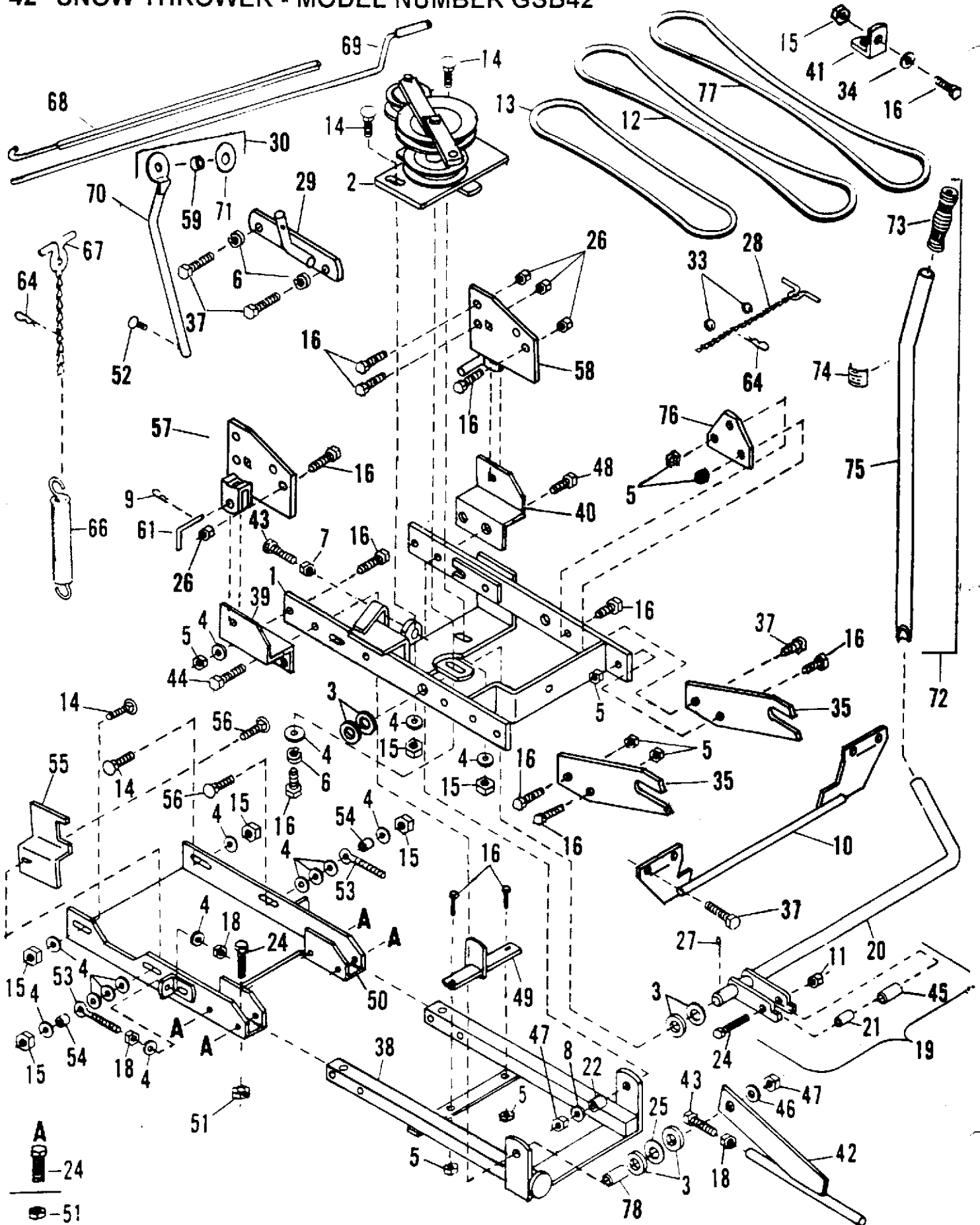


REPAIR PARTS

42" SNOW THROWER - MODEL NUMBER GSB42

Req. No.	Part Number	Description	Qty.	Ref. No.	Part Number	Description	Qty. Req.
1	20439	Header & Decal Assy.	1	68	*STD522507	Bolt - 1/4 - 20 x 3/4 Hex Head	3
2	9713	CAUTION Decal	1	70	19691	Deflector Lock Spring	1
3	18093	DANGER Decal	2	71	*STD522417	Bolt - 1/4-20 x 1-3/4 Hex Head	1
4	20433	Stack Drive Support Bracket	1	72	19482	Deflector Lock Strap	1
5	7953	Bolt - 5/16 x 3/4" Carriage	9	73	19483	Rubber Handle Grip	1
6	*GM-273802	Nut - 5/16 - 18 Ser. Fl. Hex Lock	3	74	19484	Rubber Grommet	1
7	19420	Repair Kit - 40" Scraper	1	76	13344	Drive Pulley Guard	1
8	3045	Skid Shoe	2	78	21588	Bolt - 5/16-18 x 1/2 Self Tapping	3
9	*GM-271184	Nut & Lock Washer Assy. 5/16-18 Hex	6	79	19718	Washer - Flat	1
10	21508	Auger Assembly - Complete	1	80	11376	Bracket - Belt Adj.	2
11	21509	Auger Assembly	1	81	*STD541431	Nut - 5/16-18 Hex Lock	1
12	21512	Auger Shaft	1				
13	21580	Auger Shaft Bearing Assy.	2				
14	21517	Spacer	1				
15	21516	Auger Sprocket - 35 Tooth	1				
16	5770	Screw - 5/16-18 x 1" Self Tapping	9				
17	4143	Washer	3				
18	21589	Auger Mounting Plate	1				
19	*STD523106	Bolt - 5/16 - 18 x 5/8 Hex Head	1				
21	*STD525012	Bolt - 1/2 - 13 x 1-1/4 Hex Head	2				
22	*GM-138549	Washer - 1/2 Shake Proof	2				
23	3028	Auger Drive Chain	1				
24	8456	Chain Repair Kit	1				
25	3036	Chain Guard	2				
26	15683	Screw - 1/4 - 14 x 1/2 Hex Self Tap	4				
27	19421	Jackshaft Housing Assy. (Complete)	1				
28	19430	Jackshaft Housing & Bearing Assy.	1				
29	8689	Bearing	2				
30	5074	Grease Fitting	1				
31	19431	Jackshaft & Sprocket Assy.	1				
32	19498	Idler Arm Assy.	1				
33	11496	Idler Pulley Assy.	1				
34	*STD523725	Bolt - 3/8 - 16 x 2-1/2 Hex Head	1				
35	*GM-120388	Washer - 7/16 x 1 x .083	4				
36	5713	Spacer	1				
37	19860	Spring	1				
38	*STD541437	Nut - 3/8 - 16 Hex Lock	6				
39	3396	Washer	3				
40	3259	Key - 3/16 Square x 7/8	1				
41	4638	Pulley & Hub Assy.	1				
42	*GM-142671	Screw - 5/16 - 18 Sq. Head Cup PT. Set	2				
43	*STD523707	Bolt - 3/8 - 16 x 3/4 Hex Head	5				
44	*GM-446363	Washer - 3/8 x 7/8 x .083	1				
45	*STD551137	Washer - 3/8 Med. Lock	1				
46	*STD541050	Nut - 1/2 - 13 Lt. Hex	4				
47	*GM-120389	Washer - 1/2 x 1-1/4 x .083	2				
48	19423	Jackshaft Support Bracket	1				
49	9283	Stack Drive Assy. (Complete)	1				
50	9030	Stack Drive Shroud	1				
51	9032	Bracket & Tube Assy.	1				
52	8346	Cable, Tube & Sleeve Assy.	1				
53	3955	Eye Bolt	1				
54	4772	Spring Washer	1				
55	8236	Level Wind "U" Bolt	1				
56	8299	Friction Strap	1				
57	4119	Nut - 1/4 - 13 Hex Lock	7				
58	*STD533707	Bolt - 3/8 - 16 x 3/4 Carriage	3				
59	*GM-271190	Nut/L'Washer Assy. 3/8 - 16 Hex	4				
60	*STD533710	Bolt - 3/8 - 16 x 1 Carriage	1				
61	4506	Washer - 13/32 x 1 - 1/2 x .051	3				
62	19448	Deflector & Elbow Assembly - Complete	1				
63	19446	Deflector Elbow Assembly	1				
64	*STD522505	Bolt - 1/4 - 20 x 1/2" Hex Head	3				
65	3903	Washer	6				
66	19449	Deflector & Decal Assembly	1				
67	19417	Seal Trim	1				

*Standard Hardware - Purchased Locally



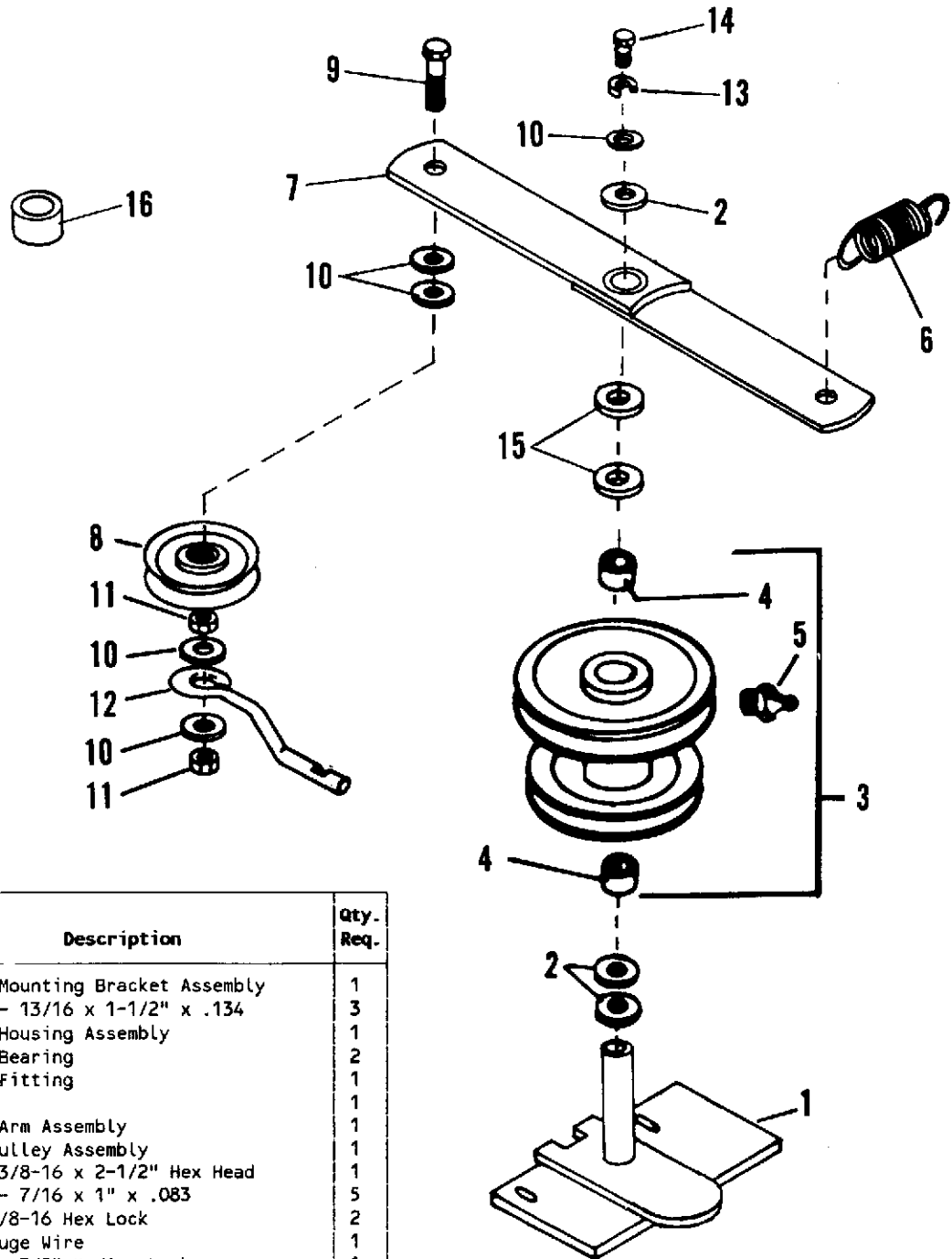
REPAIR PARTS

42" SNOW THROWER - MODEL NUMBER GSB42

Ref. No.	Part Number	Description	Qty. Req.	Ref. No.	Part Number	Description	Qty. Req.
1	15869	Mounting Frame Assy.	1	72	11754	Lift Handle Assy.	1
2	21772	Pulley Mounting Bracket Assy.	1	73	3339	Handle Grip	1
3	*STD551075	Washer - 13/16 x 1-1/2 x .134	6	74	7273	Raise and Lower Decal	1
4	*GM-120388	Washer - 7/16 x 1" x .083	19	75	21637	Lift Handle	1
5	*STD541437	Nut - 3/8-16 Hex Lock	9	76	21598	Plate-Idler Tension	1
6	*STD551137	Washer - 3/8" Medium Lock	3	77	22068	Upper V-Belt for Horizontal Shaft	1
7	*STD541237	Nut - 3/8-16 Hex Jam	1	78	22074	Spacer	1
8	*STD551050	Washer - 17/32 x 1-1/16" x .095 Flat	1				
9	*STD624005	Hair Cotter Pin	2				
10	22116	Rear Mounting Bracket	1				
11	*GM-271184	Nut & Lock Washer Assy. 5/16-18 Hex	1				
12	22067	Lower V-Belt	1				
13	11483	Upper V-Belt for Vertical Shaft	1				
14	*STD533710	Bolt - 3/8-16 x 1" Carriage	4				
15	*GM-271190	Nut & Lock Washer Assy. 3/8-16 Hex	6				
16	*STD523710	Bolt - 3/8-16 x 1" Hex Head	19				
17	*STD523707	Bolt - 3/8-16 x 3/4 Hex Head	4				
18	*STD541037	Nut - 3/8-16 Light Hex	5				
19	21638	Lift Bar Assy. (Comp.)	1				
20	21640	Lift Bar Assy.	1				
21	3027	Spacer	1				
22	3346	Spacer	1				
23	*GM-189295	Bolt - 3/8-16 X 4-1/2 Hex Head	1				
24	*STD523117	Bolt - 5/16-18 x 1-3/4" Hex	7				
25	3396	Washer	1				
26	21362	Nut 3/8-16 NyLok	14				
27	*GM-120123	Pin - Cotter 1/8 x 1-1/4	1				
28	11676	Chain & Toggle	1				
29	18758	Crank Rod Support Anchor	1				
30	18759	Crank Rod Support Comp.	1				
31	*STD523112	Bolt 5/16 x 1-1/4 Hex Head	1				
32	17570	Washer, Flat	2				
33	5714	Clip Spring	2				
34	*GM-446363	Washer - 3/8 x 7/8 x .083	2				
35	22158	Rear Mounting Bracket	2				
37	*STD523712	Bolt - 3/8-16 x 1-1/4" Hex Head	6				
38	22071	Lower Mounting Frame Assy.	1				
39	19303	Front Mounting Bracket, LH	1				
40	19304	Front Mounting Bracket, RH	1				
41	13780	Mounting Frame Anchor	2				
42	9786	Lift Extension Assy.	1				
43	6441	Bolt	2				
44	*STD525022	Bolt - 1/2-13 x 2-1/4" Hex Head	1				
45	11285	Spacer	1				
46	*GM-120389	Washer - 1/2 x 1-1/4" x .083	1				
47	*STD541450	Nut - 1/2-13 Hex Lock	2				
48	*STD525017	Bolt - 1/2-13 x 1-3/4" Hex Head	1				
49	22114	Up Stop Bracket	1				
50	11417	Pivot Bracket Channel Assy.	1				
51	*STD541431	Nut - 5/16-18 Hex Lock	6				
52	21797	Thumb Screw	1				
53	3058	Eye Bolt	2				
54	5713	Spacer	2				
55	19424	Bracket	1				
56	*GM-126422	Bolt - 3/8-16 x 2-1/4" Carriage	2				
57	22075	LH Front Hanger Assy.	1				
58	22076	RH Front Hanger Assy.	1				
59	16124	Crank Guide Bushing	1				
61	5736	Clevis Pin	2				
63	15089	Anchor - Adjustment	1				
64	*STD624010	Pin - Hair Cotter	3				
66	4798	Lift Spring	2				
67	5737	Chain & Toggle Assy.	2				
68	8206	Crank Rod Extension Assy.	1				
69	15437	Crank Rod Assy.	1				
70	18762	Crank Rod Support	1				
71	11712	Chute Control Decal	1				

REPAIR PARTS

42" SNOW THROWER - MODEL NUMBER GSB42



Ref. No.	Part Number	Description	Qty. Req.
1	21773	Pulley Mounting Bracket Assembly	1
2	*STD551075	Washer - 13/16 x 1-1/2" x .134	3
3	16305	Pulley Housing Assembly	1
4	8689	Needle Bearing	2
5	5074	Grease Fitting	1
6	3059	Spring	1
7	21793	Clutch Arm Assembly	1
8	11496	Idler Pulley Assembly	1
9	*STD723725	Bolt - 3/8-16 x 2-1/2" Hex Head	1
10	*GM-120388	Washer - 7/16 x 1" x .083	5
11	*STD541437	Nut - 3/8-16 Hex Lock	2
12	11485	Belt Gauge Wire	1
13	*STD551137	Washer - 3/8" Medium Lock	1
14	*GM-180120	Bolt - 3/8-16 x 3/4: Hex Head	1
15	3396	Washer	2
16	3094	Spacer	1

*Standard Hardware - Purchased Locally