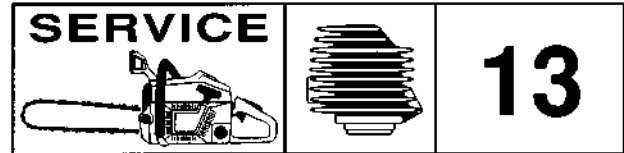
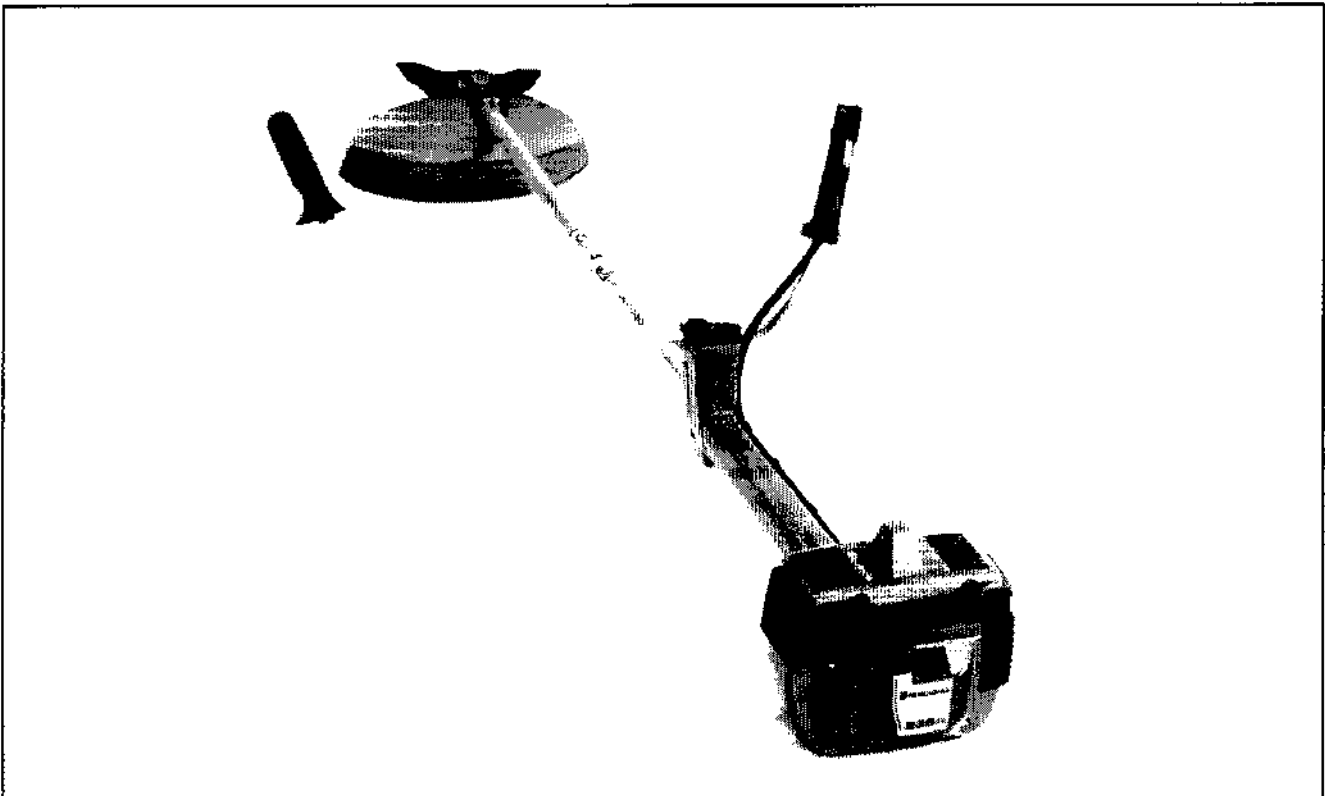


 **Husqvarna**



235 R



1.1993

Spare parts

Ersatzteile

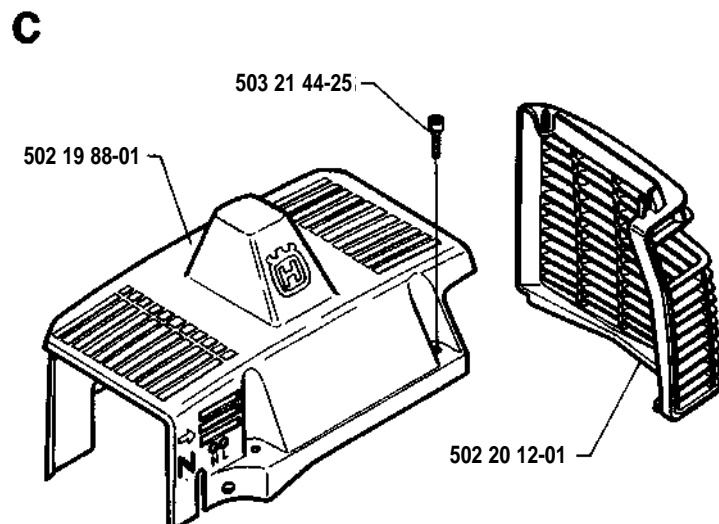
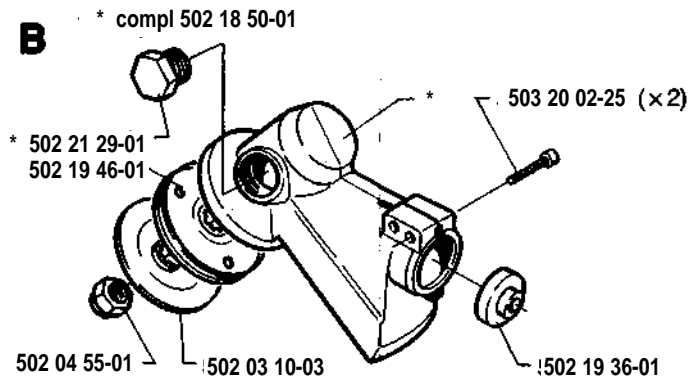
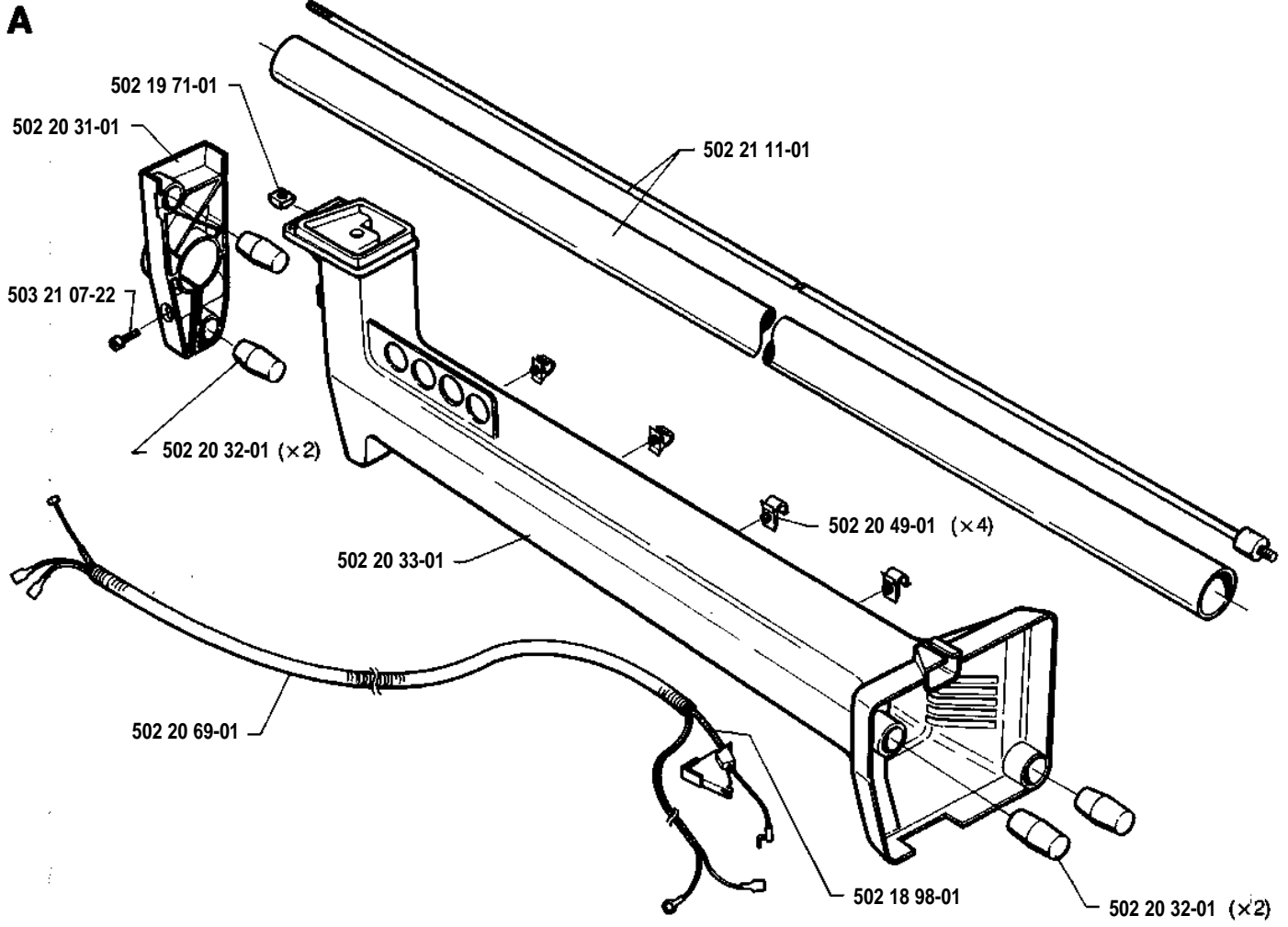
Pièces détachées

Repuestos

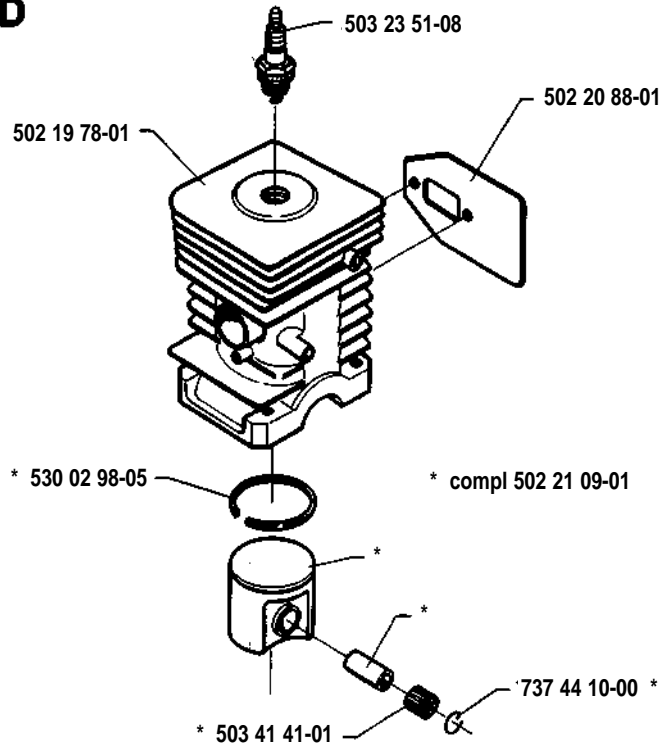
Reservdelar

MODEL NUMBER 235R

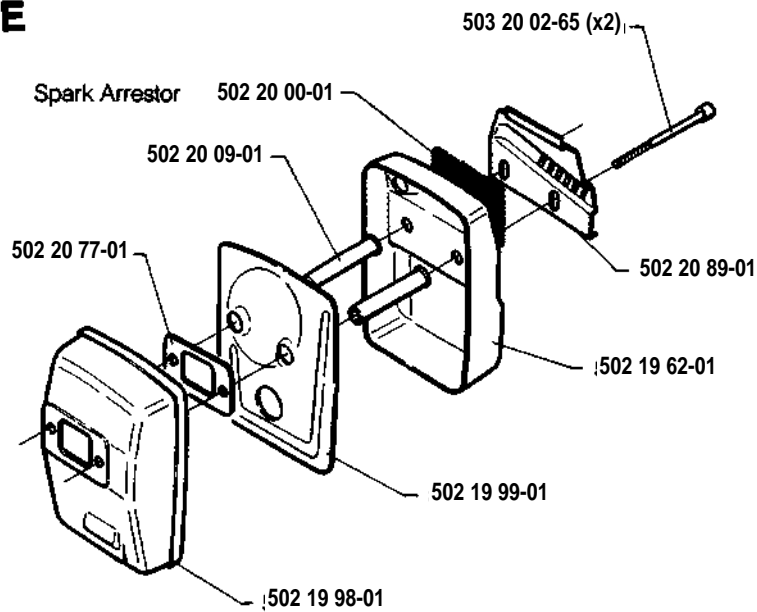
PARTNUMBER	SQUARE	NOTE	PARTNUMBER	SQUARE	NOTE	PARTNUMBER	SQUARE	NOTE	PARTNUMBER	SQUARE	NOTE
501 46 69-01	N		502 21 27-01	G							
501 46 87-01	N		502 21 28-01	G							
501 48 54-02	H		502 21 29-01	B							
501 60 02-02	P		502 21 32-01	N							
501 66 61-01	N		502 21 33-01	N							
501 66 78-01	N		502 21 34-01	N							
502 02 28-01	P		502 21 35-01	N							
502 02 61-02	P		502 21 36-01	N							
502 03 10-03	B		502 21 37-01	N							
502 04 55-01	B		502 21 38-01	N							
502 08 83-02	L		502 21 39-01	N							
502 10 30-01	N		502 21 58-01	P							
502 10 31-01	N		502 51 27-01	P							
502 11 46-02	P		503 09 82-01	J							
502 11 97-01	N		503 10 47-01	N							
502 18 50-01	B		503 10 87-01	N							
502 18 94-02	F	N	503 11 70-01	N							
502 18 95-01	M		503 16 13-02	F							
502 18 98-01	A		503 20 02-25	B							
502 19 36-01	B		503 20 02-30	F							
502 19 46-01	B		503 20 02-65	E							
502 19 59-01	H		503 20 25-16	H							
502 19 60-01	J		503 21 07-22	A,F,J,M							
502 19 62-01	E		503 21 07-47	K							
502 19 67-01	J		503 21 29-06	M							
502 19 68-01	J		503 21 44-25	C	N						
502 19 71-01	A		503 22 10-11	H							
502 19 78-01	D		503 22 63-01	L	N						
502 19 84-01	K		503 23 01-01	H							
502 19 85-01	K		503 23 51-08	D							
502 19 86-01	K		503 28 15-05	K,M							
502 19 88-01	C		503 41 41-01	D,G							
502 19 89-01	M		503 52 12-03	F							
502 19 90-01	J		503 57 42-01	N							
502 19 91-01	J		503 61 23-01	N							
502 19 92-01	J		503 61 24-01	N							
502 19 93-01	J		503 62 52-01	N							
502 19 94-01	J		504 13 08-08	N							
502 19 97-01	J		504 13 09-06	N							
502 19 98-01	E		504 21 00-49	N							
502 19 99-01	E		504 21 00-50	N							
502 20 00-01	E		505 31 67-17	N							
502 20 06-01	M		505 31 67-45	N							
502 20 08-01	F		505 31 67-54	N							
502 20 09-01	E		505 31 67-82	N							
502 20 11-01	K		505 52 01-10	N							
502 20 12-01	C		505 52 01-25	N							
502 20 22-01	K		505 52 01-27	N							
502 20 31-01	A		506 02 81-01	N							
502 20 32-01	A		530 01 41-99	L							
502 20 33-01	A		530 01 52-26	H							
502 20 38-01	J		530 02 98-05	D							
502 20 40-01	K		530 03 51-39	N							
502 20 49-01	A		530 03 51-73	N							
502 20 64-01	M		530 03 71-60	M	N						
502 20 65-02	K	N	530 03 91-45	H							
502 20 69-01	A		530 04 20-58	H							
502 20 77-01	E		530 04 20-59	H							
502 20 88-01	D		725 23 81-71	J							
502 20 89-01	E		725 53 72-55	L							
502 21 06-01	L		731 23 14-01	K							
502 21 08-01	M		737 44 10-00	D							
502 21 09-01	D										
502 21 10-02	L	N									
502 21 11-01	A										
502 21 14-01	P										
502 21 17-01	P										
502 21 17-02	P										
502 21 23-01	K										
502 21 25-01	M										



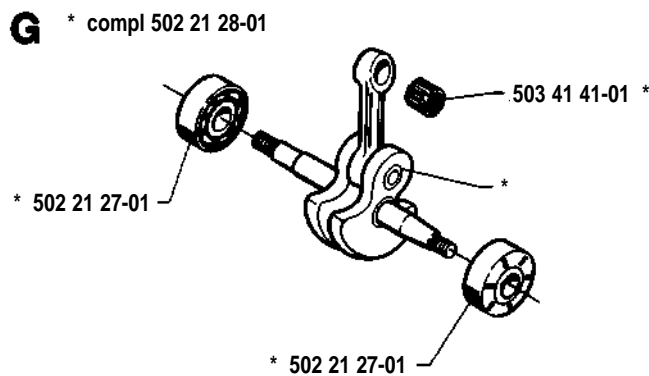
D



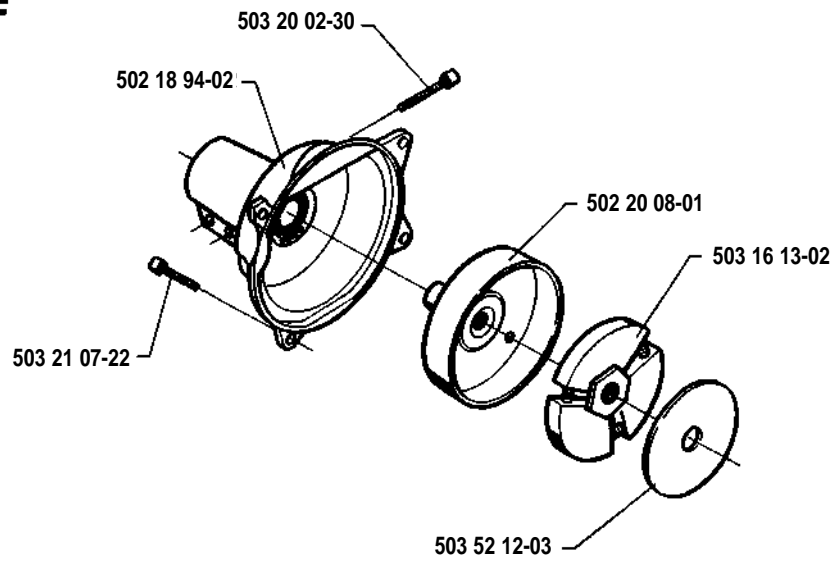
E



G

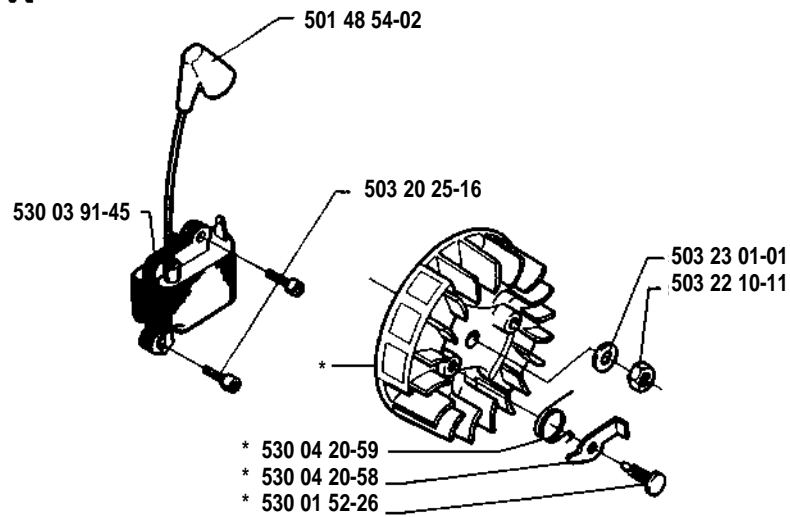


F

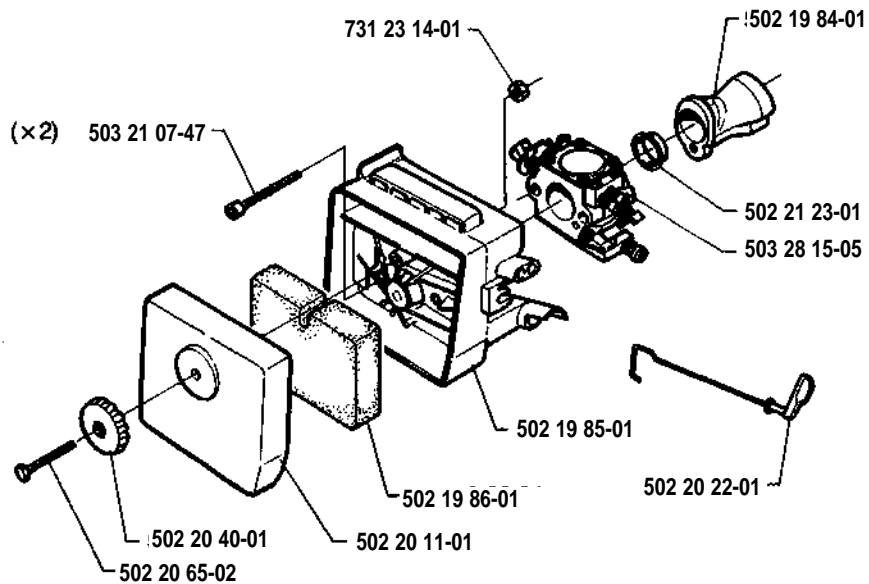


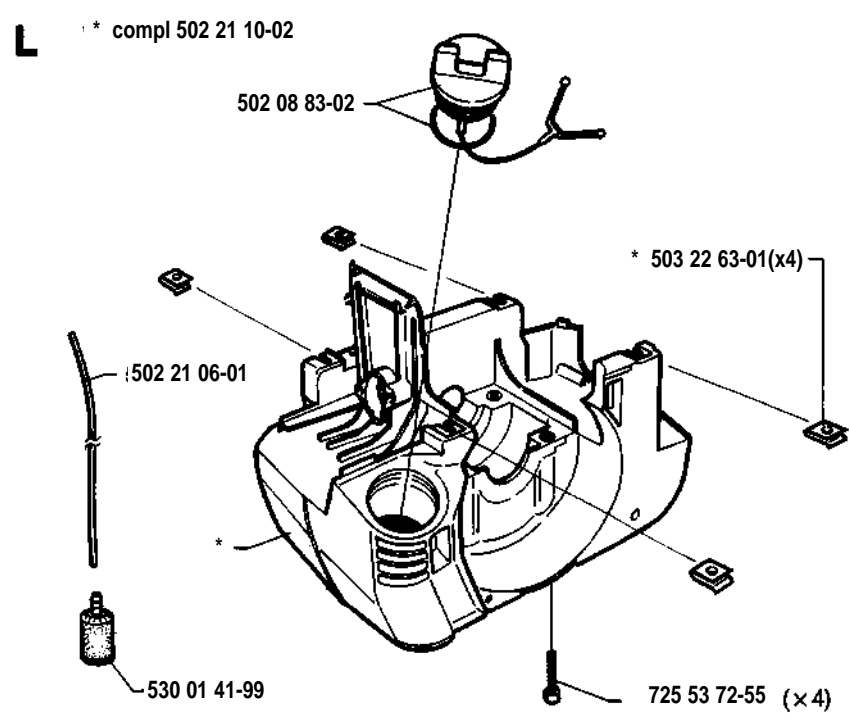
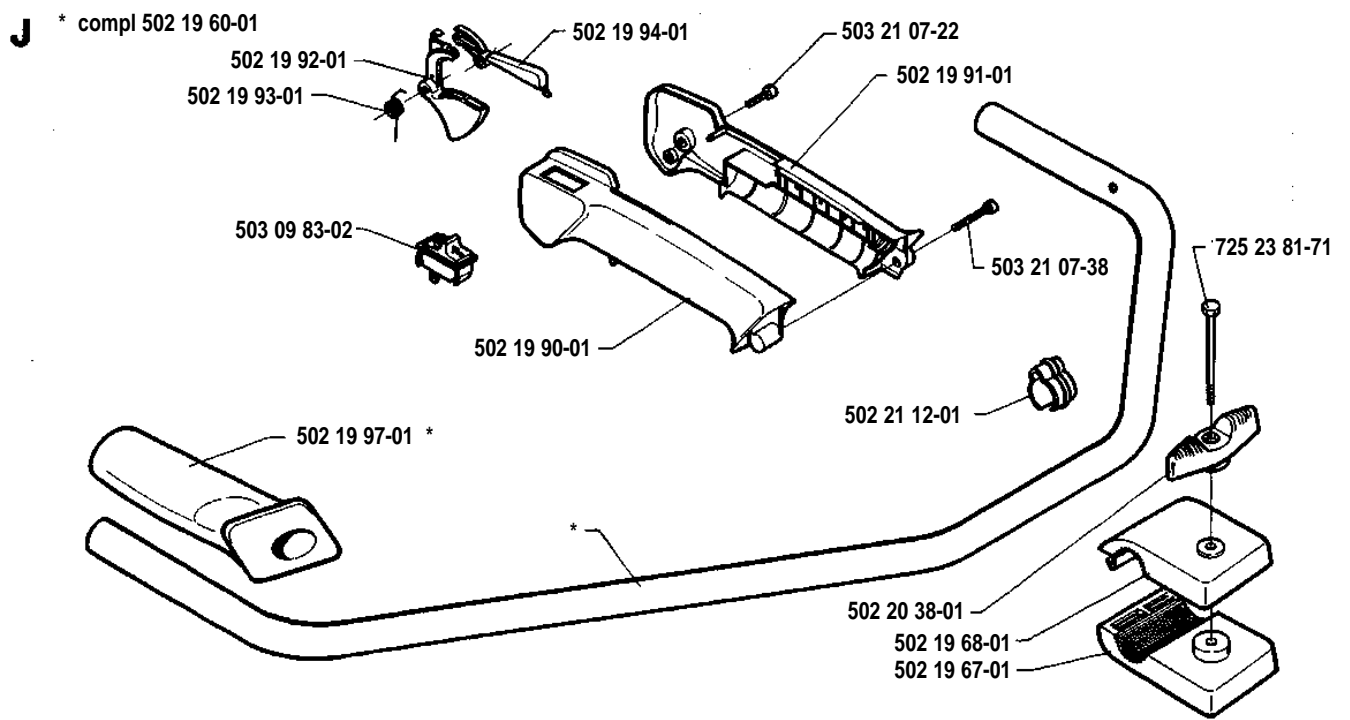
H

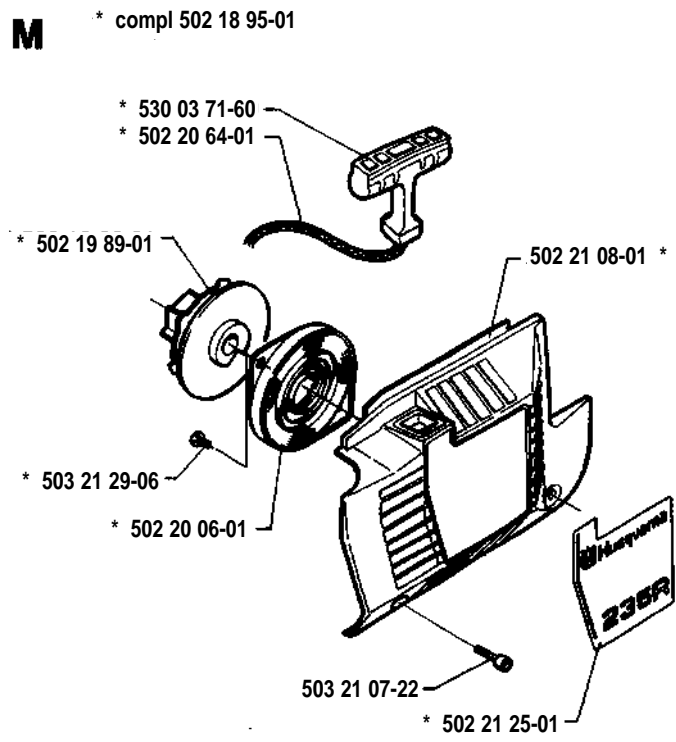
* compl 502 19 59-01



K

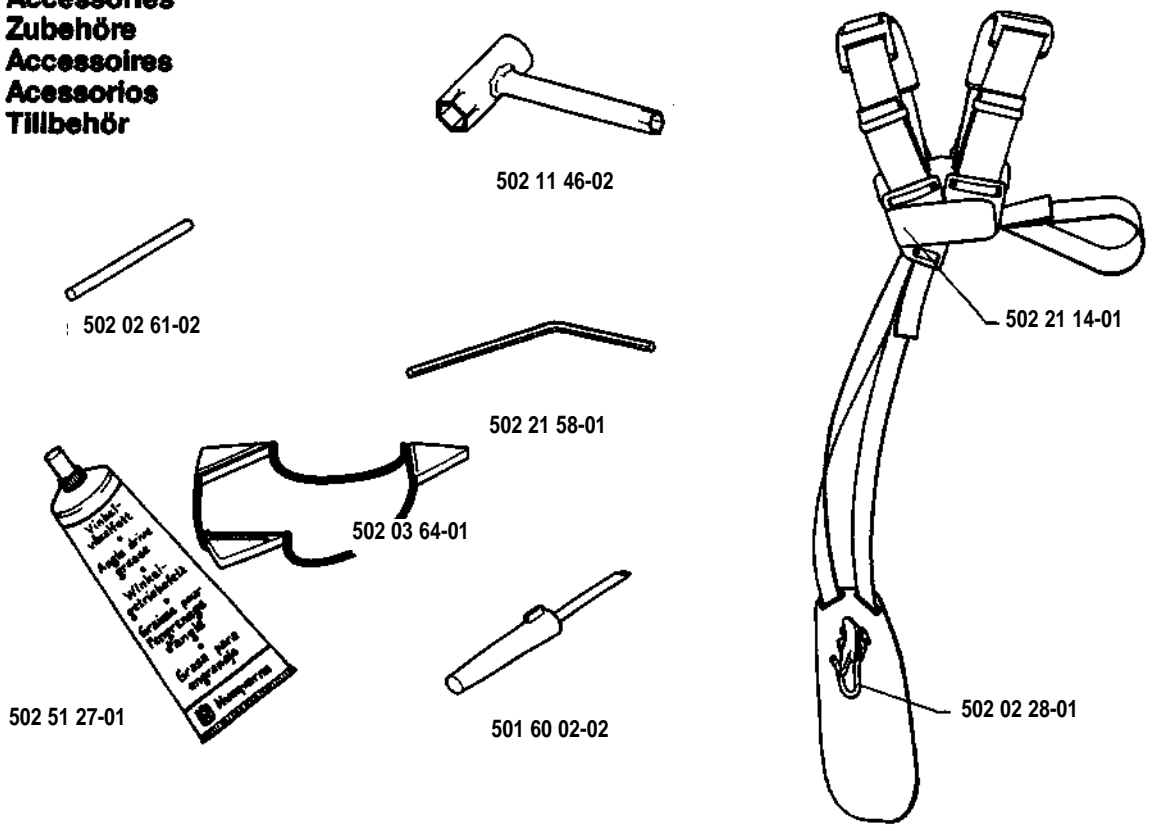






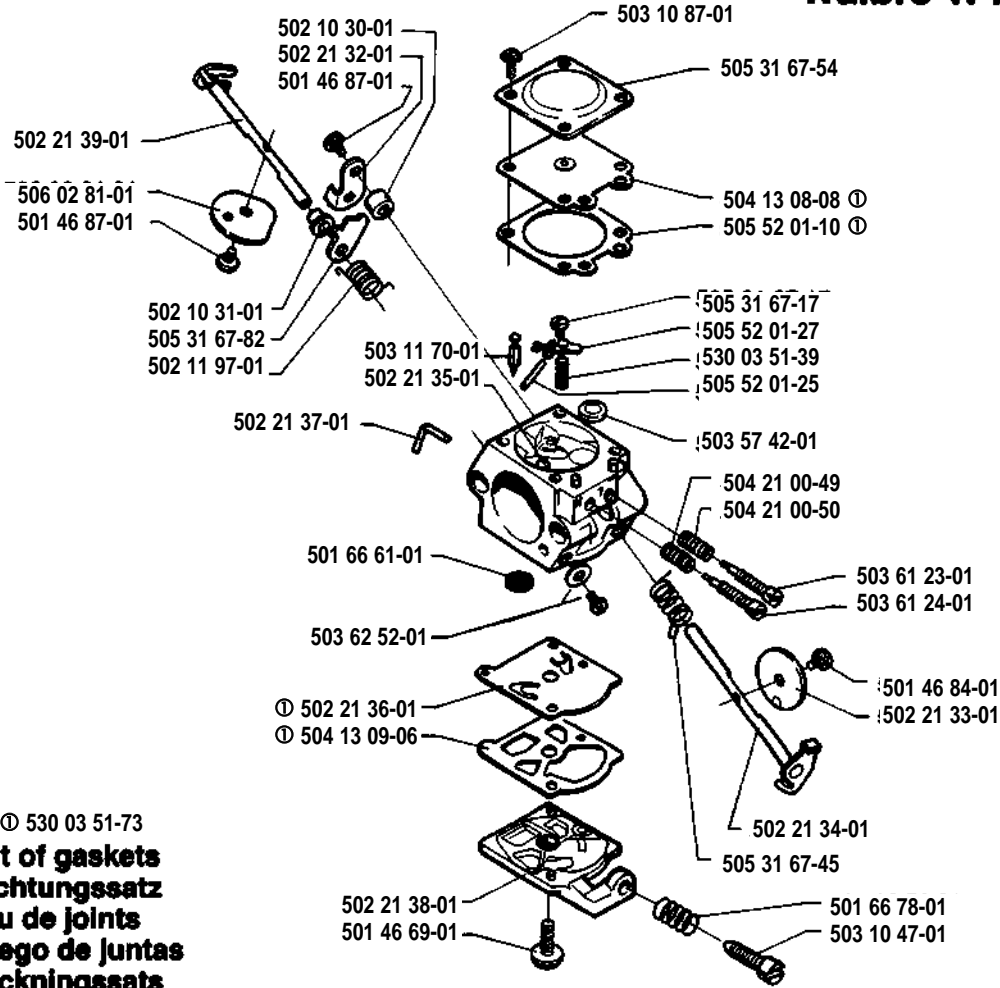
P
Accessories
Zubehöre
Accessoires
Accesorios
Tillbehör

compl 502 21 17-01
 compl 502 21 17-02 (USA)



N compl 503 28 15-05

Walbro WT 235



ⓐ 530 03 51-73
Set of gaskets
Dichtungssatz
Jeu de joints
Juego de juntas
Packingsatz