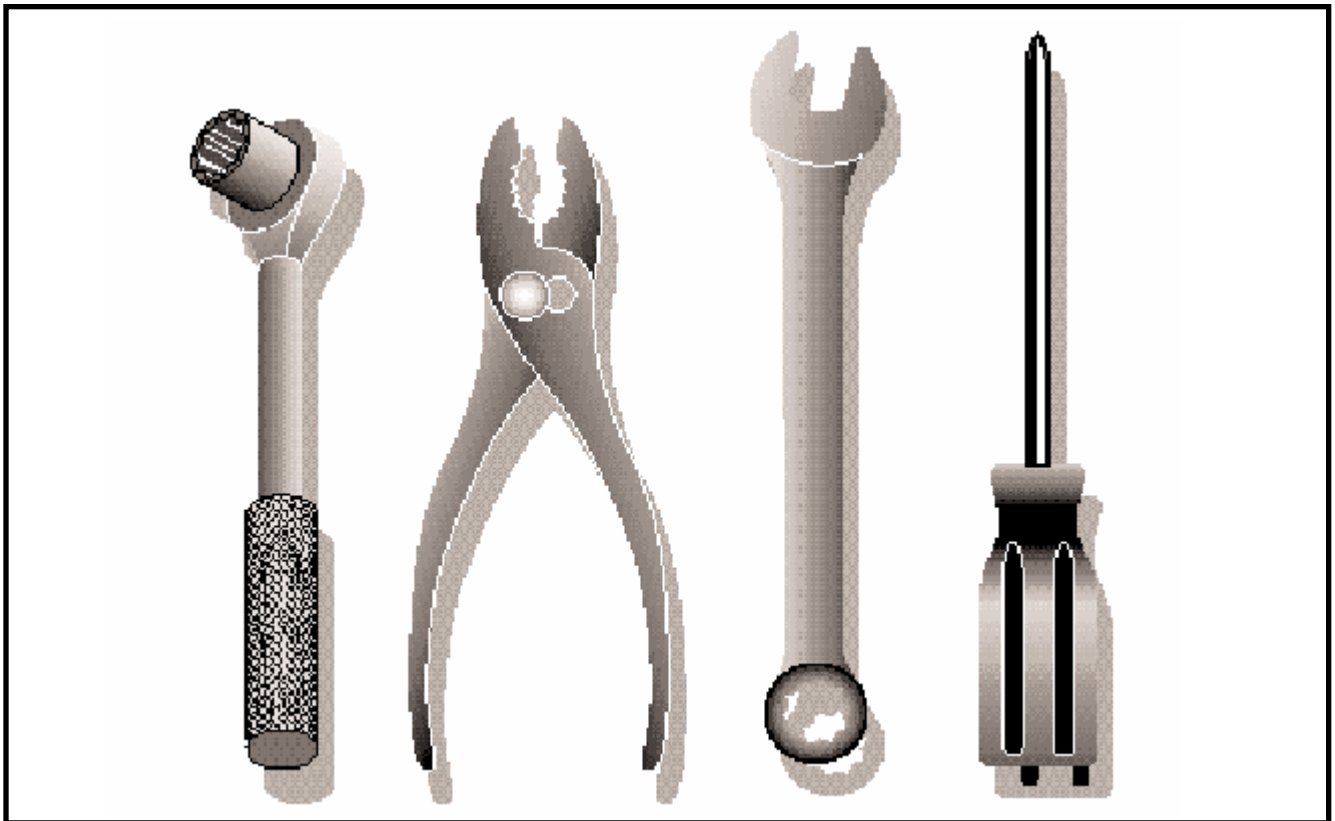




| | |
|---------------------------|----------|
| Illustrated Parts List | 1992-12 |
| | I9200019 |

LR 125

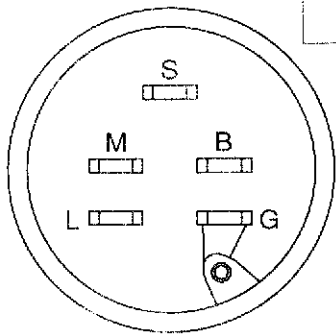
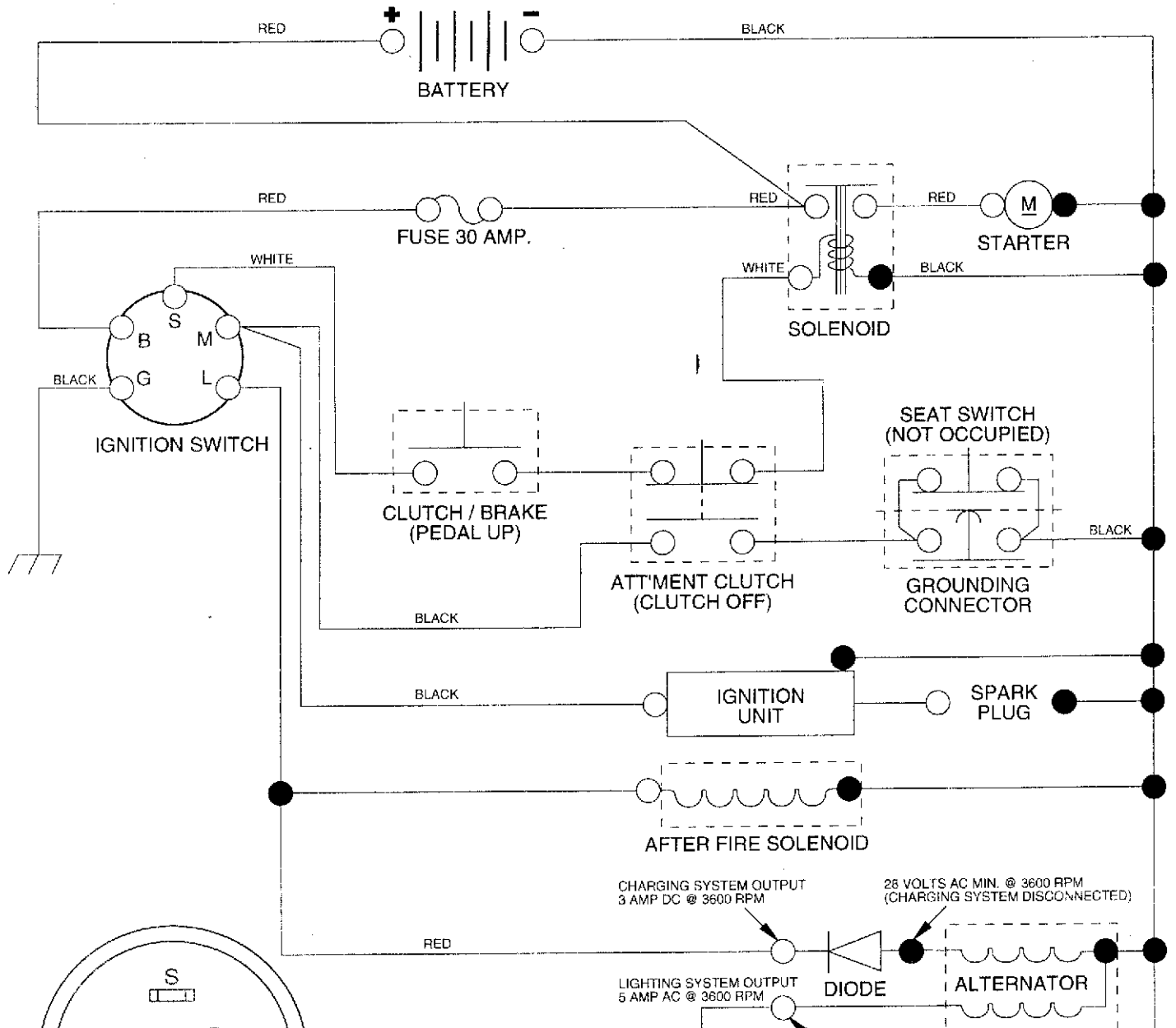
(HU125R38MA) 954000522



Repair Parts Manual

Ride Mower

SCHEMATIC



| POSITION | CIRCUIT |
|----------|-----------|
| OFF | M + G |
| ON | B + L |
| START | B + S + L |

NOTE
 YOUR TRACTOR IS EQUIPPED WITH A SPECIAL ALTERNATOR SYSTEM. THE LIGHTS ARE NOT CONNECTED TO THE BATTERY, BUT HAVE THEIR OWN ELECTRICAL SOURCE. BECAUSE OF THIS, THE BRIGHTNESS OF THE LIGHTS WILL CHANGE WITH ENGINE SPEED. AT IDLE THE LIGHTS WILL DIM. AS THE ENGINE IS SPEEDED UP, THE LIGHTS WILL BECOME THEIR BRIGHTEST.

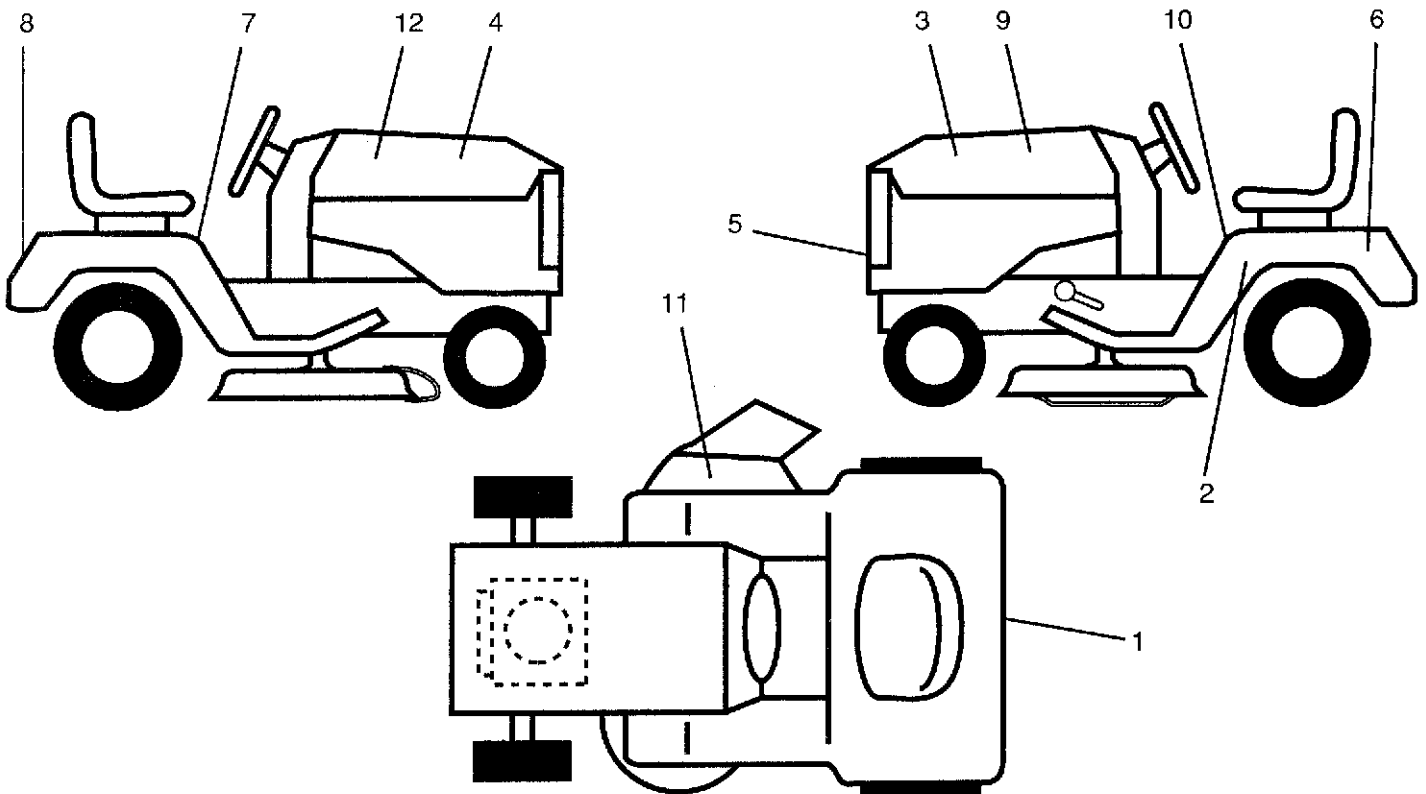
● NON-REMOVABLE CONNECTIONS ○ REMOVABLE CONNECTIONS

WIRING INSULATED CLIPS
 NOTE: If wiring insulated clips were removed for servicing of unit, they should be replaced to properly secure your wiring.

REPAIR PARTS

12.5 HP 38" TRACTOR-MODEL NO. LR125 (HU125R38MA), PRODUCT NO. 954 00 05-22

DECALS



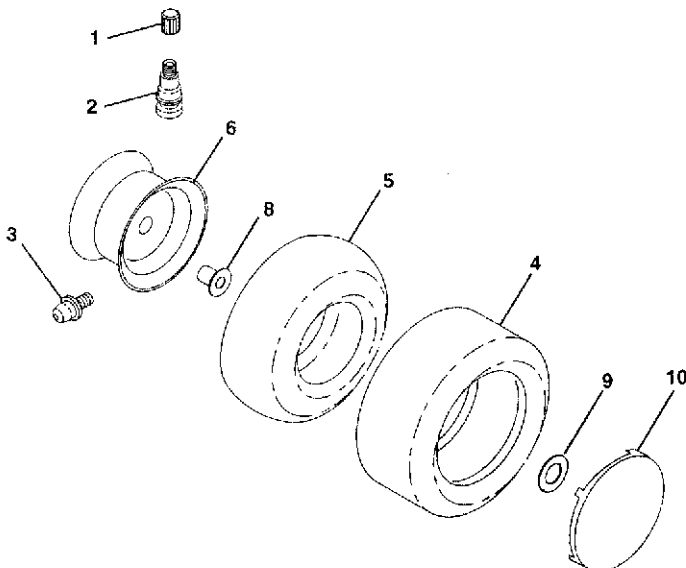
| KEY NO. | PART NO. | DESCRIPTION |
|---------|-----------|------------------------------|
| 1 | 532127520 | Decal, USA, White |
| 2 | 532135073 | Decal, Indicator |
| 3 | 532137541 | Decal, Hood, L.H. |
| 4 | 532137540 | Decal, Hood, R.H. |
| 5 | 532125989 | Decal, Logo, Grill |
| 6 | 532121549 | Decal, Caution, Battery |
| 7 | 532123637 | Decal, Instruction, Warning, |
| 8 | 532131582 | Decal, Logo, Fender |
| 9 | 532137714 | Decal, Hood, Insert L.H. |

| KEY NO. | PART NO. | DESCRIPTION |
|---------|-----------|---------------------------|
| 10 | 532133795 | Decal Caution Fender |
| 11 | 532137259 | Decal, Warning |
| 12 | 532137713 | Decal, Hood, Insert, R.H. |
| -- | 532137564 | Manual, Owner's, English |
| -- | 532137565 | Manual, Owner's, French |

AVAILABLE ACCESSORIES (Not Included with tractor)

-CER38 Bagger

WHEELS & TIRES



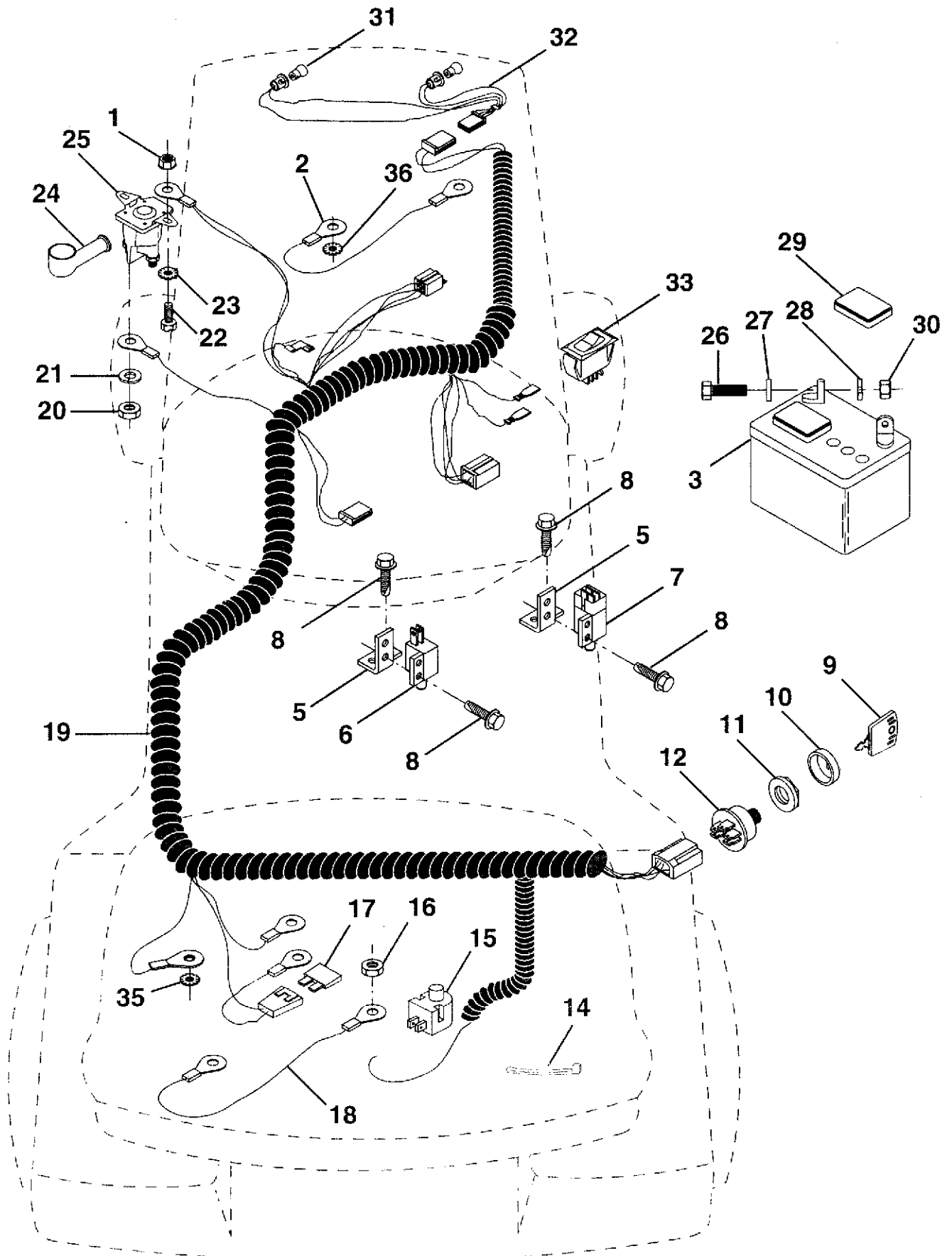
| KEY NO. | PART NO. | DESCRIPTION |
|---------|-----------|-------------------------------------|
| 1 | 532059192 | Cap, Valve Stem |
| 2 | 532065139 | Stem, Valve |
| 3 | 532124957 | Fitting, Grease (Front Wheels Only) |
| 4 | 532137422 | Tire, Front |
| | 532132703 | Tire, Rear |
| 5 | 532059904 | Tube, Front Tire |
| | 532008134 | Tube, Rear Tire |
| | | (Optional, Service Items Only) |
| 6 | 532138888 | Rim, Front |
| | 532124973 | Rim, Rear |
| 8 | 532124959 | Bearing Flange |
| 9 | 532121748 | Washer 25/32 x 1-5/8 x 16 Gauge |
| 10 | 532124577 | Cover, Front Wheel, 6" |
| | 532124578 | Cover, Rear Wheel, 8" |

NOTE: All component dimensions given in U.S. inches
1 inch = 25.4 mm

REPAIR PARTS

12.5 HP 38" TRACTOR-MODEL NO. LR125 (HU125R38MA), PRODUCT NO. 954 00 05-22

ELECTRICAL



REPAIR PARTS

12.5 HP 38" TRACTOR-MODEL NO. LR125 (HU125R38MA), PRODUCT NO. 954 00 05-22
ELECTRICAL

| KEY NO. | PART NO. | DESCRIPTION |
|---------|-----------|--|
| 1 | 873510400 | Nut, Hex, Keps 1/4-20 |
| 2 | 532108423 | Assembly, Cable |
| 3 | 532133909 | Battery |
| 5 | 532108236 | Bracket, Switch |
| 6 | 532104445 | Switch, Interlock, 2 Terminal |
| 7 | 532109553 | Switch, Interlock, 4 Terminal |
| 8 | 817021008 | Screw, Hex Head, Self-Tapping #10-24 x 1/2 |
| 9 | 532122147 | Key, Molded |
| 10 | 532123620 | Cover, Ignition Key |
| 11 | 532124211 | Nut, Ignition |
| 12 | 532102972 | Switch, Ignition |
| 14 | 532124756 | Tie, Cable |
| 15 | 532121305 | Switch, Plunger |
| 16 | 873510500 | Nut, Hex, Keps 5/16-18 |
| 17 | 532108824 | Fuse |
| 18 | 532128353 | Assembly, Cable |
| 19 | 532138671 | Harness, Ignition |
| 20 | 873350400 | Nut, Hex, Jam 1/4-20 |
| 21 | 810090400 | Washer, Lock 1/4 |
| 22 | 874780408 | Bolt, Hex Head, Fin. 1/4-20 UNC x 1/2 Grade 5 |
| 23 | 811050400 | Washer, Lock, External Tooth 1/4 |
| 24 | 532131563 | Cover, Terminal |
| 25 | 532138406 | Solenoid |
| 26 | 874760412 | Bolt, Hex Head 1/4-20 UNC x 3/4 |
| 27 | 819091016 | Washer 9/32 x 5/8 x 16 |
| 28 | 810040400 | Washer, Lock 1/4 |
| 29 | 532121264 | Cap, Battery |
| 30 | 873220400 | Nut, Hex, Fin. 1/4-20 UNC |
| 31 | 532131078 | Harness, Headlight |
| 32 | 532004152 | Bulb, Light |
| 33 | 532110712 | Switch, Light |
| 35 | 811050600 | Washer, Lock, External Tooth 3/8 |
| 36 | 811150400 | Washer, Lock, Internal Tooth 1/4 |

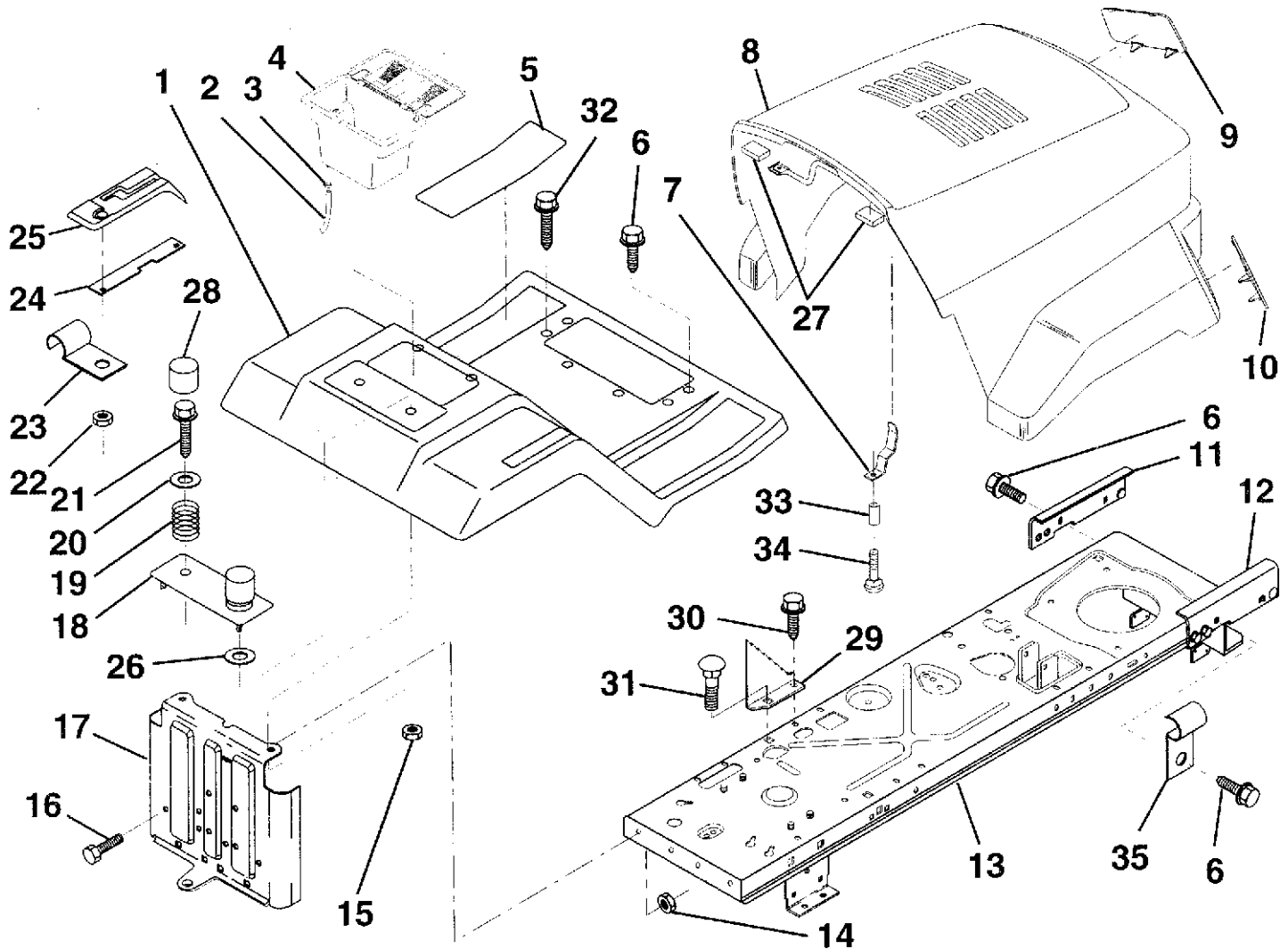
NOTE: All component dimensions given in U.S. inches
1 inch = 25.4 mm

HARDWARE SHOWN LARGER FOR EASIER IDENTIFICATION

REPAIR PARTS

12.5 HP 38" TRACTOR-MODEL NO. LR125 (HU125R38MA), PRODUCT NO. 954 00 05-22

FENDER/CHASSIS/HOOD



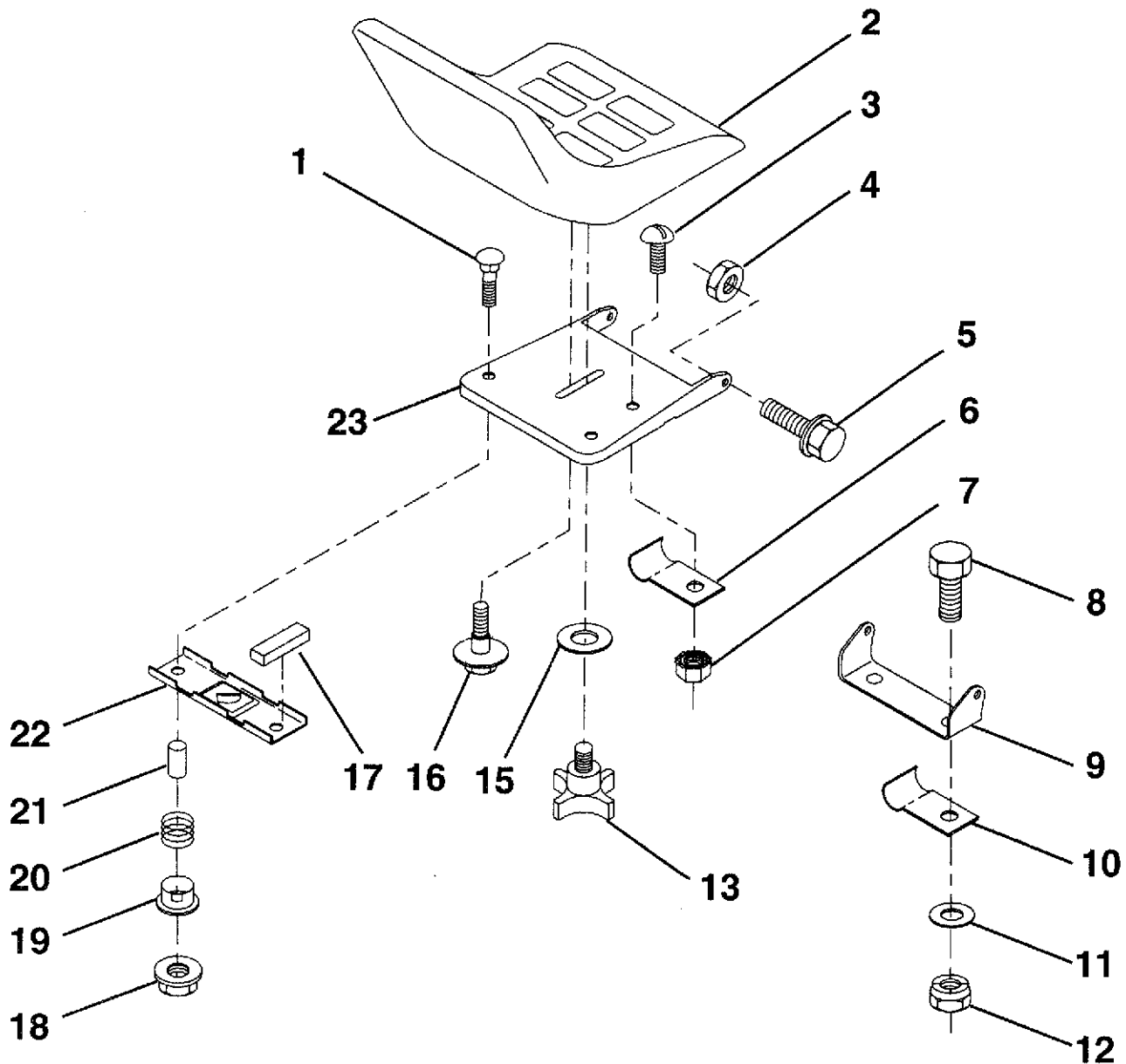
| KEY NO. | PART NO. | DESCRIPTION | KEY NO. | PART NO. | DESCRIPTION |
|---------|-----------|---|---------|-----------|--|
| 1 | 532125434 | Fender/Footrest | 20 | 819132012 | Washer 13/32 x 1-1/4 x 12 Gauge |
| 2 | 532109238 | Tube, Battery Drain | 21 | 817490612 | Screw, Hex Washer Head, Thd., Roll. 3/8-16 x 3/4 |
| 3 | 532109596 | Clamp, Hose | 22 | 532124346 | Nut, Self-Threading, Washer Head 3/16 |
| 4 | 532129965 | Case, Battery | 23 | 532126470 | Clip, Insulated |
| 5 | 532126700 | Pad, Footrest | 24 | 532124307 | Bar, Shift Lock |
| 6 | 817490512 | Screw, Hex Washer Head, Thd., Roll. 5/16-18 x 3/4 | 25 | 532126995 | Console, Shift Control |
| 7 | 532131318 | Latch, Hood | 26 | 819091413 | Washer 9/32 x 7/8 x 13 Gauge |
| 8 | 532138739 | Hood and Grill Assembly (Includes Key Numbers 9 and 10) | 27 | 532126938 | Bumper, Hood |
| 9 | 532130986 | Lens, L.H. | 28 | 532124238 | Cap, Seat Spring |
| 10 | 532130985 | Lens, R.H. | 29 | 532132562 | Plate, Depth Stop |
| 11 | 532128449 | Pivot Bracket Assy., Chassis, L.H. | 30 | 817490508 | Screw, Thd., Roll. 5/16-18 x 1/2 |
| 12 | 532128808 | Pivot Bracket Assy., Chassis, R.H. | 31 | 872110506 | Bolt, Carriage 5/16-18 x 3/4 |
| 13 | 532137097 | Assembly, Frame | 32 | 817490516 | Screw, Thd., Roll. 5/16-18 x 1 |
| 14 | 873680500 | Nut, Hex, Crownlock 5/16-18 | 33 | 532138748 | Spacer |
| 15 | 873510400 | Nut, Hex, Keps 1/4-20 UNC | 34 | 872110412 | Bolt, Carriage 1/4-20 x 1-1/2 |
| 16 | 874760512 | Bolt, Hex Head 5/16-18 UNC x 3/4 | 35 | 532124996 | Clip, Fuel Line |
| 17 | 532127880 | Drawbar | | | |
| 18 | 532125142 | Plate Assembly, Battery | | | |
| 19 | 532124181 | Spring, Compression, Seat | | | |

NOTE: All component dimensions given in U.S. inches
1 inch = 25.4 mm

HARDWARE SHOWN LARGER FOR EASIER IDENTIFICATION

REPAIR PARTS

12.5 HP 38" TRACTOR-MODEL NO. LR125 (HU125R38MA), PRODUCT NO. 954 00 05-22
SEAT



| KEY NO. | PART NO. | DESCRIPTION |
|---------|-----------|--------------------------------------|
| 1 | 872050411 | Bolt, Carriage 1/4-20 x 1-3/8 |
| 2 | 532127398 | Seat |
| 3 | 874641008 | Screw, Slotted Pan Head #10-32 x 1/2 |
| 4 | 873680500 | Nut, Hex, Crownlock 5/16-18 |
| 5 | 532105529 | Bolt, Hex, Shoulder 5/16-18 UNC |
| 6 | 532124967 | Clip, Insulated |
| 7 | 873951000 | Nut, Hex, Keps #10-32 UNF |
| 8 | 874760612 | Bolt, Hex, Fin. 3/8-16 UNC x 3/4 |
| 9 | 532126656 | Bracket, Pivot, Seat |
| 10 | 532126471 | Clip, Insulated |
| 11 | 819133210 | Washer 12/32 x 2 x 10 Gauge |
| 12 | 873680600 | Nut, Hex, Crownlock 3/8-16 UNC |

| KEY NO. | PART NO. | DESCRIPTION |
|---------|-----------|----------------------------------|
| 13 | 532120068 | Knob, Seat |
| 15 | 819171912 | Washer 17/32 x 1-3/16 x 12 Gauge |
| 16 | 532127018 | Bolt, Shoulder |
| 17 | 532121251 | Strip, Foam |
| 18 | 532123976 | Nut, Hex, Large, Flange Lock |
| 19 | 532121248 | Bushing, Snap |
| 20 | 532121250 | Spring, Compression |
| 21 | 532134300 | Spacer, Split 28 Id. x .96 Lg. |
| 22 | 532121246 | Bracket, Switch Mounting |
| 23 | 532131451 | Pan, Seat |

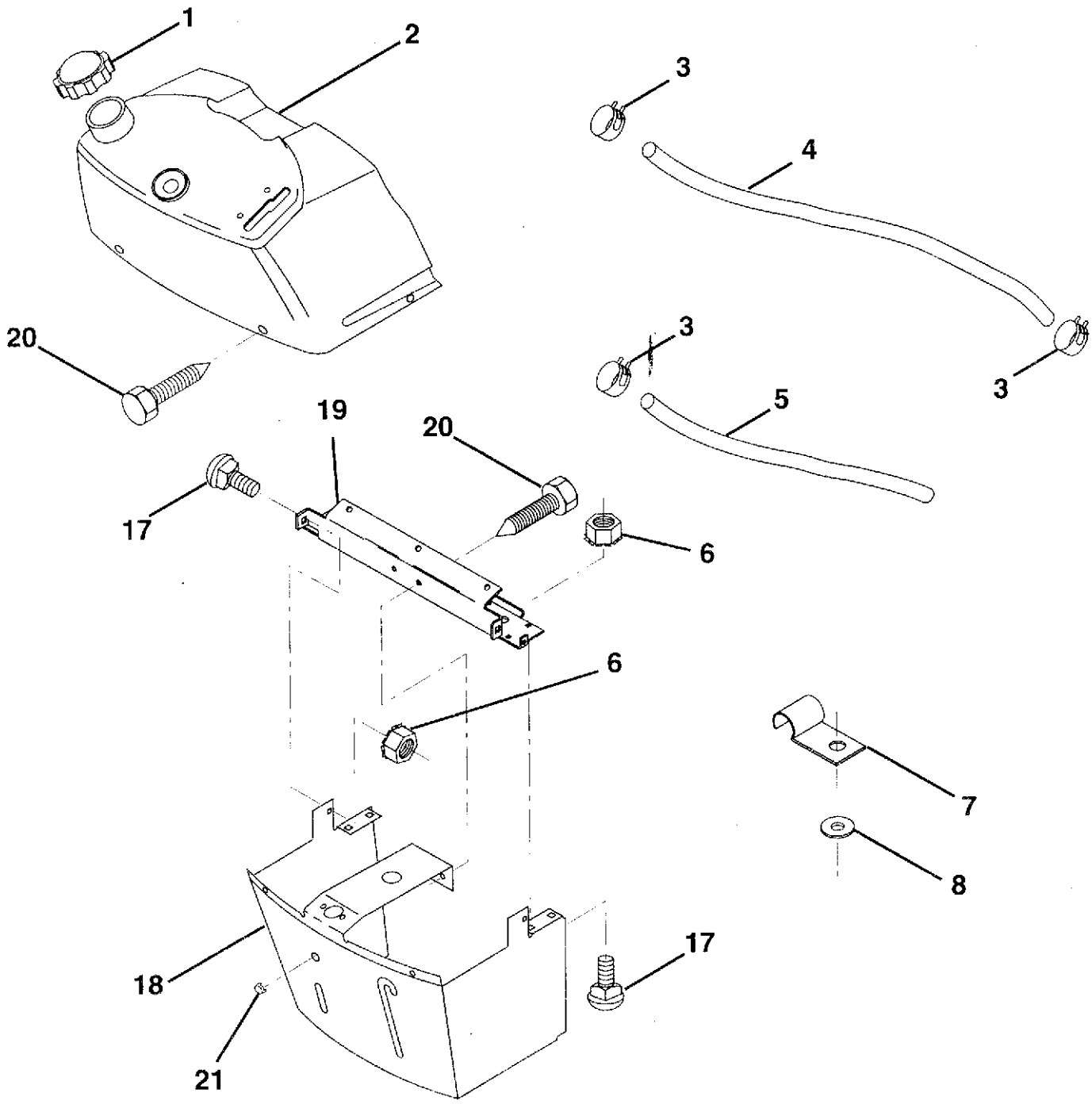
NOTE: All component dimensions given in U.S. inches
1 inch = 25.4 mm

HARDWARE SHOWN LARGER FOR EASIER IDENTIFICATION

REPAIR PARTS

12.5 HP 38" TRACTOR-MODEL NO. LR125 (HU125R38MA), PRODUCT NO. 954 00 05-22

DASH



| KEY NO. | PART NO. | DESCRIPTION |
|---------|-----------|--------------------------------|
| 1 | 532132735 | Cap, Fuel |
| 2 | 532138395 | Dashboard & Fuel Tank Assembly |
| 3 | 532123487 | Clamp, Hose |
| 4 | 532008544 | Line, Fuel |
| 5 | 532008548 | Line, Fuel |
| 6 | 873510400 | Nut, Hex, Keps 1/4-20 |
| 7 | 532124996 | Clip, Fuel Line |
| 8 | 819091216 | Washer 9/32 x 3/4 x 16 Gauge |

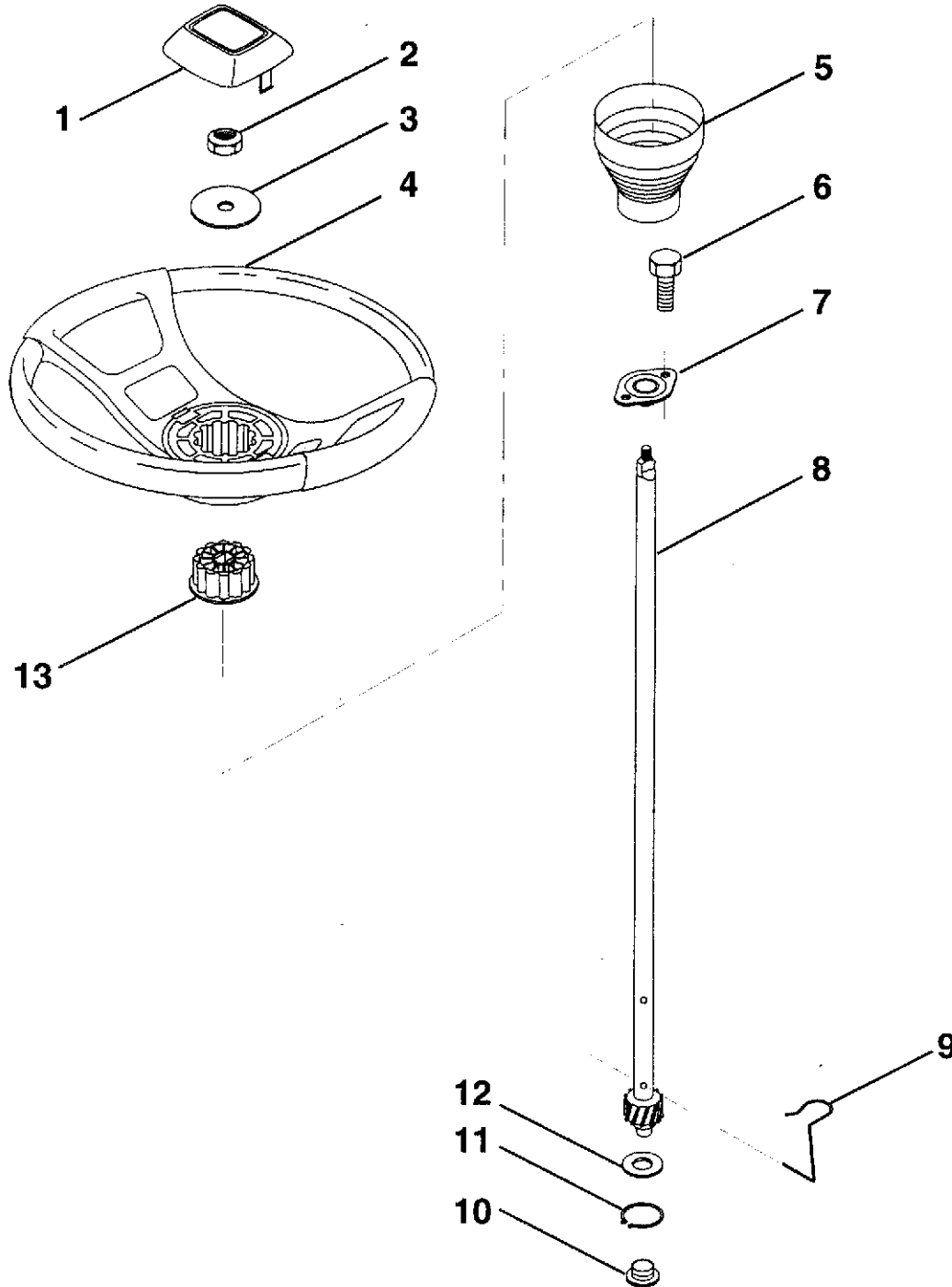
| KEY NO. | PART NO. | DESCRIPTION |
|---------|-----------|-------------------------------------|
| 17 | 872110404 | Bolt, Carriage 1/4-20 x 1/2 Grade 5 |
| 18 | 532131886 | Support Assembly, Dash |
| 19 | 532134744 | Brace, Cross |
| 20 | 817060408 | Screw, Self-Tapping 1/4-20 x 1/2 |
| 21 | 532134014 | Plug, Dome, Black |

NOTE: All component dimensions given in U.S. inches
1 inch = 25.4 mm

HARDWARE SHOWN LARGER FOR EASIER IDENTIFICATION

REPAIR PARTS

12.5 HP 38" TRACTOR-MODEL NO. LR125 (HU125R38MA), PRODUCT NO. 954 00 05-22
STEERING WHEEL



| KEY NO. | PART NO. | DESCRIPTION |
|---------|-----------|--------------------------------|
| 1 | 532124416 | Insert, Steering Wheel |
| 2 | 532124701 | Locknut 3/8-24 UNF |
| 3 | 819133808 | Washer 12/32 x 2-3/8 x 8 Gauge |
| 4 | 532124415 | Steering Wheel |
| 5 | 532127396 | Sleeve, Steering |
| 6 | 817431008 | Screw, Hex Head #10-16 x 1/2 |
| 7 | 532102803 | Bushing, Steering |
| 8 | 532123651 | Shaft, Steering |

| KEY NO. | PART NO. | DESCRIPTION |
|---------|-----------|-----------------------------|
| 9 | 532124210 | Clip, Steering |
| 10 | 532123438 | Bushing, Lower, Steering |
| 11 | 812000045 | Ring, Retaining |
| 12 | 819211616 | Washer 21/32 x 1 x 16 Gauge |
| 13 | 532104820 | Adaptor, Steering Wheel |

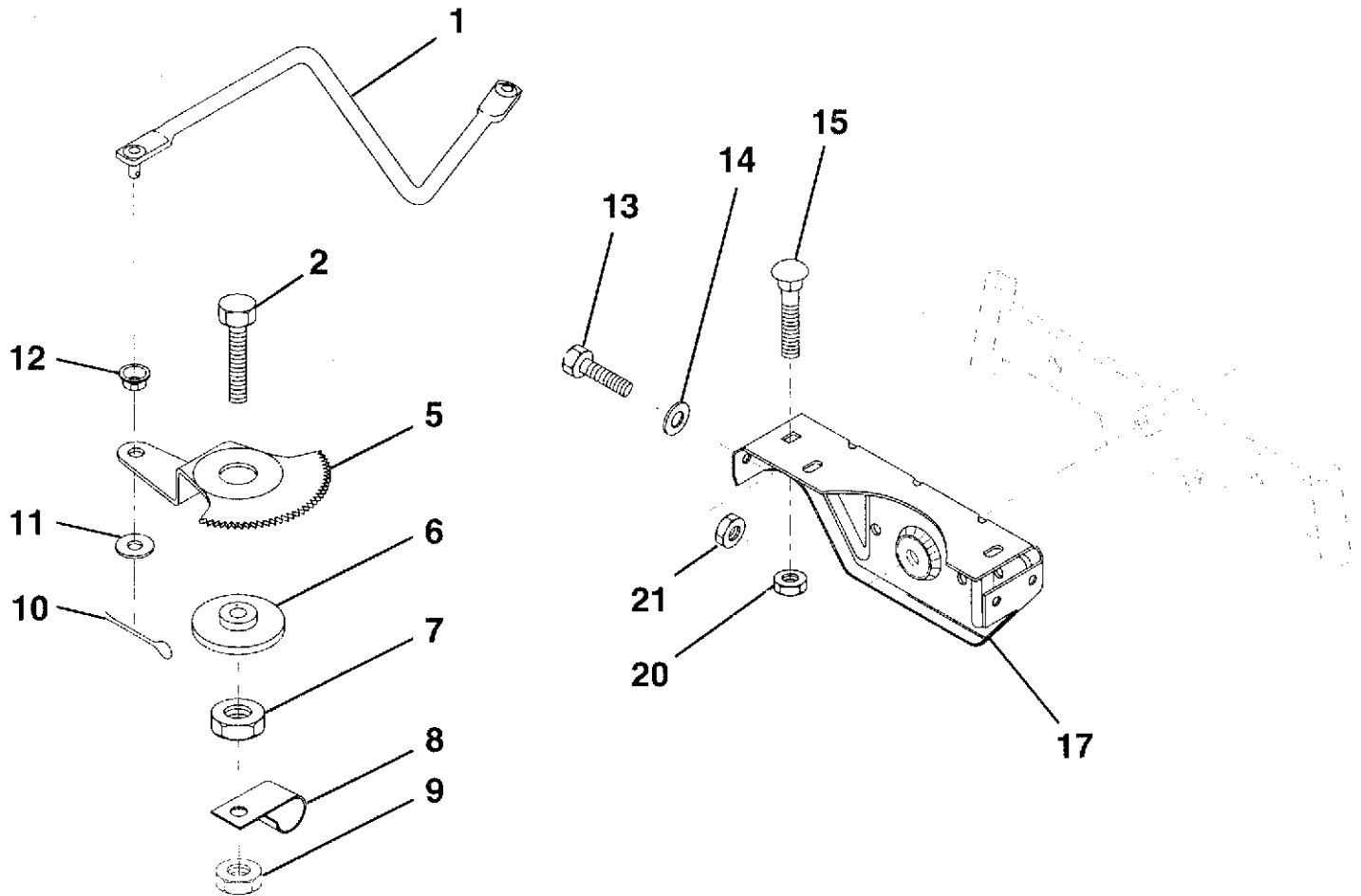
NOTE: All component dimensions given in U.S. inches
1 inch = 25.4 mm

HARDWARE SHOWN LARGER FOR EASIER IDENTIFICATION

REPAIR PARTS

12.5 HP 38" TRACTOR-MODEL NO. LR125 (HU125R38MA), PRODUCT NO. 954 00 05-22

SECTOR GEAR / AXLE SUPPORT



| KEY NO. | PART NO. | DESCRIPTION |
|---------|-----------|-------------------------------------|
| 1 | 532132566 | Link, Drag |
| 2 | 874780828 | Bolt, Hex Head, Fin. 1/2-13 x 1-3/4 |
| 5 | 532121926 | Gear, Sector |
| 6 | 532121927 | Bushing |
| 7 | 873030800 | Nut, Heavy Hex, Top Lock 1/2-13 UNC |
| 8 | 532126472 | Clip, Insulated |
| 9 | 873680800 | Nut, Hex, Crownlock 3/8-16 |
| 10 | 876020412 | Pin, Cotter 1/8 x 3/4 |
| 11 | 819131316 | Washer 13/32 x 13/16 x 16 Gauge |

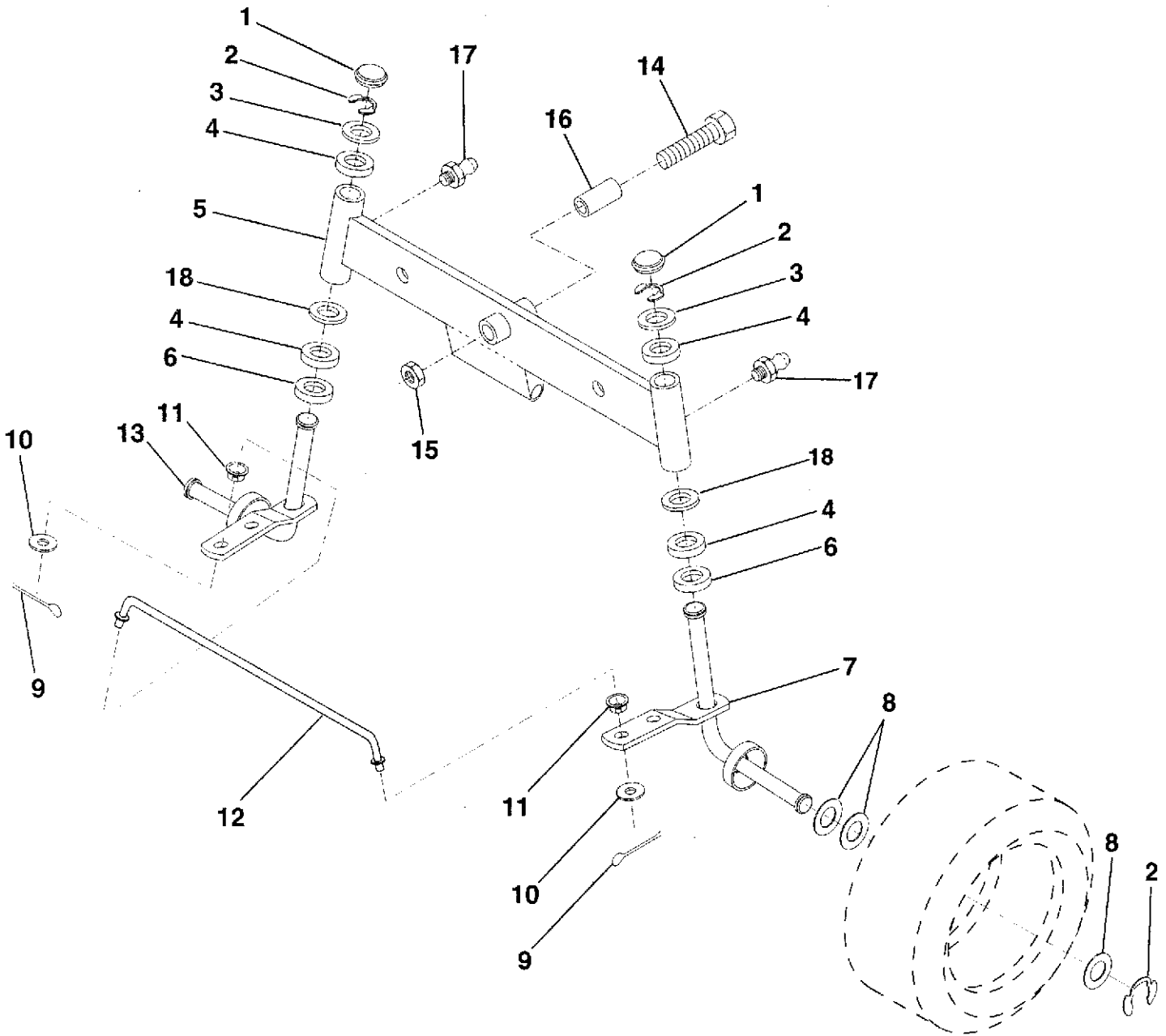
| KEY NO. | PART NO. | DESCRIPTION |
|---------|-----------|----------------------------------|
| 12 | 532126847 | Bushing |
| 13 | 874760512 | Bolt, Hex Head 5/16-18 UNC x 3/4 |
| 14 | 819111416 | Washer 11/32 x 7/8 x 16 Gauge |
| 15 | 872110606 | Bolt, Carriage 3/8-16 UNC x 3/4 |
| 17 | 532137096 | Support, Front Axle |
| 20 | 873680600 | Nut, Hex, Crownlock 3/8-16 UNC |
| 21 | 873680500 | Nut, Hex, Crownlock 5/16-18 |

NOTE: All component dimensions given in U.S. inches
1 inch = 25.4 mm

HARDWARE SHOWN LARGER FOR EASIER IDENTIFICATION

For Husqvarna Parts Call 606-678-9623 or 606-561-4983
REPAIR PARTS

12.5 HP 38" TRACTOR-MODEL NO. LR125 (HU125R38MA), PRODUCT NO. 954 00 05-22
FRONT AXLE



| KEY NO. | PART NO. | DESCRIPTION |
|---------|-----------|---------------------------------|
| 1 | 532121232 | Cap, Spindle |
| 2 | 812000029 | Ring, Clip |
| 3 | 532121748 | Washer 25/32 x 1-5/8 x 16 Gauge |
| 4 | 532124937 | Bearing |
| 5 | 532133988 | Axle, Front |
| 6 | 532124931 | Bearing, Thrust |
| 7 | 532137062 | Spindle Assembly, R.H. |
| 8 | 532121749 | Washer 25/32 x 1-1/4 x 16 Gauge |
| 9 | 876020412 | Pin, Cotter 1/8 x 3/4 |
| 10 | 819131316 | Washer 13/32 x 13/16 x 16 Gauge |

| KEY NO. | PART NO. | DESCRIPTION |
|---------|-----------|---------------------------------|
| 11 | 532126847 | Bushing |
| 12 | 532130465 | Rod, Tie |
| 13 | 532137061 | Spindle Assembly, L.H. |
| 14 | 874011056 | Bolt, Hex Head 5/8-11 x 3-1/2 |
| 15 | 873901000 | Locknut, Flange 5/8-11 |
| 16 | 532110438 | Spacer, Bearing, Front Axle |
| 17 | 532124836 | Grease Fitting |
| 18 | 819272016 | Washer 27/32 x 1-1/4 x 16 Gauge |

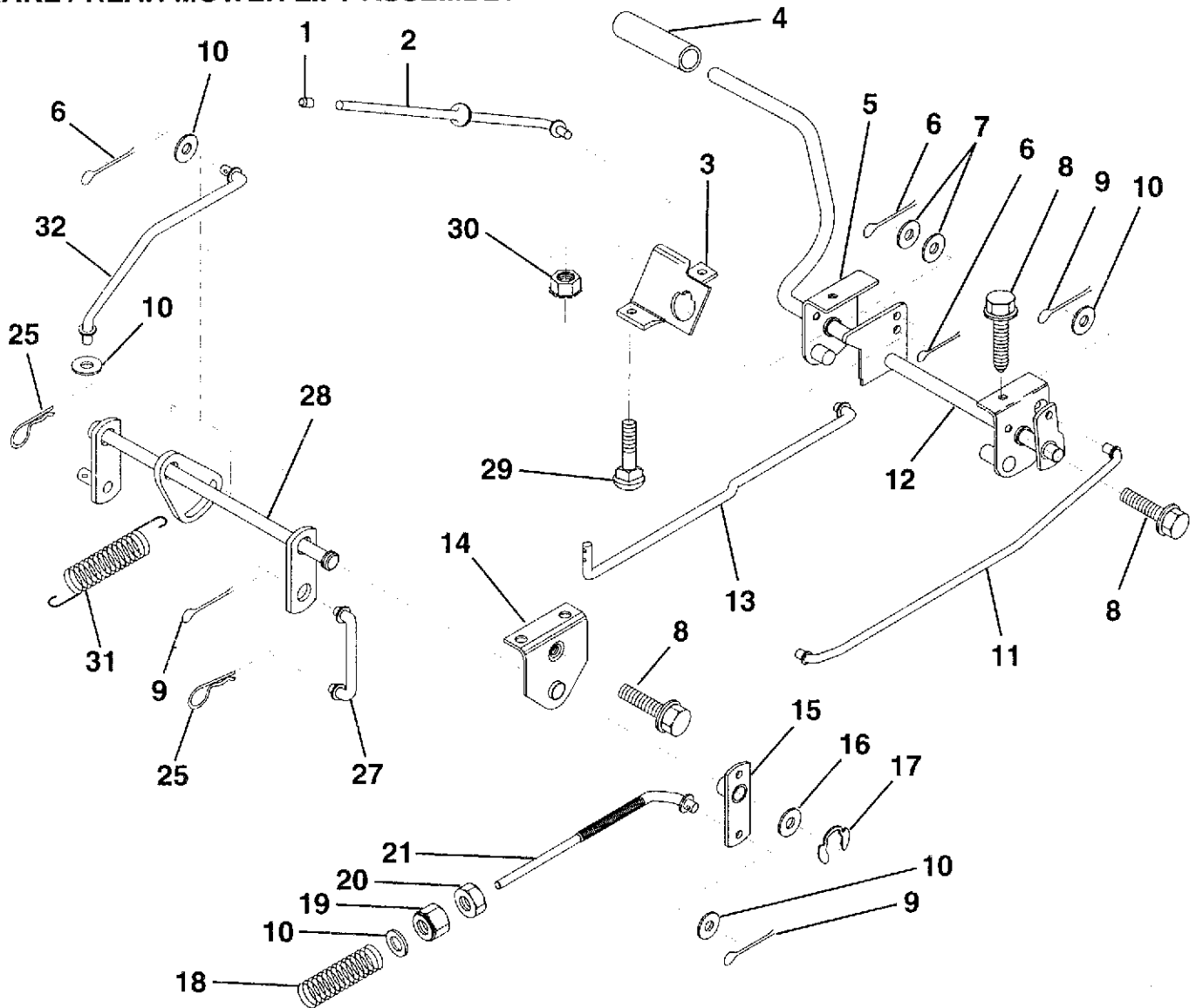
NOTE: All component dimensions given in U.S. inches
 1 inch = 25.4 mm

HARDWARE SHOWN LARGER FOR EASIER IDENTIFICATION

REPAIR PARTS

12.5 HP 38" TRACTOR-MODEL NO. LR125 (HU125R38MA), PRODUCT NO. 954 00 05-22

BRAKE / REAR MOWER LIFT ASSEMBLY



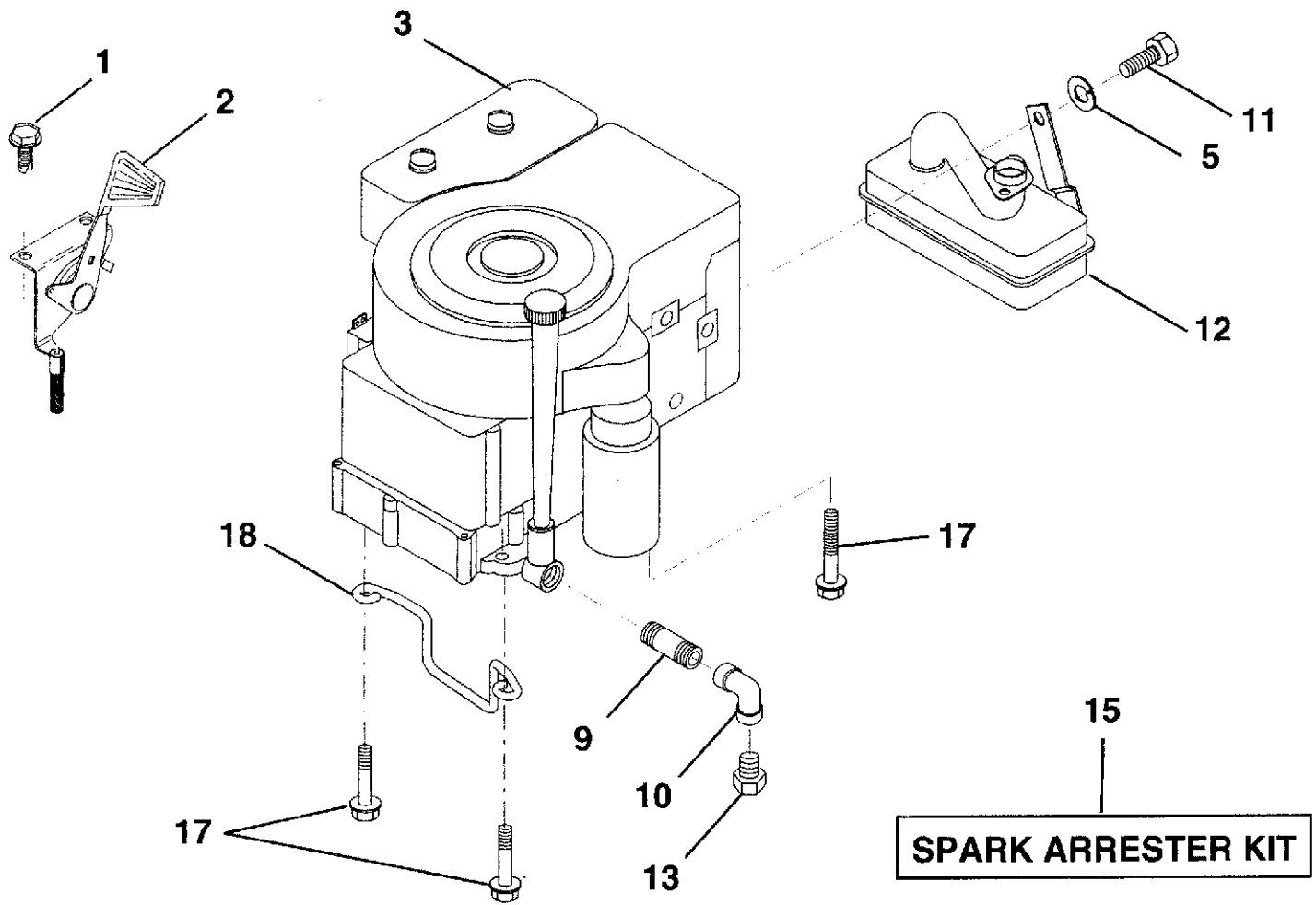
| KEY NO. | PART NO. | DESCRIPTION | KEY NO. | PART NO. | DESCRIPTION |
|---------|-----------|--|---------|-----------|---|
| 1 | 532071673 | Cap, Plunger | 18 | 532106888 | Spring, Brake Rod |
| 2 | 532123436 | Rod, Parking Brake | 19 | 873350600 | Nut, Hex, Jam 3/8-16 UNC |
| 3 | 532123437 | Bracket, Parking Brake | 20 | 873800600 | Locknut, Hex, with Washer Insert 3/8-16 UNC |
| 4 | 532008156 | Cover, Pedal | 21 | 532131460 | Rod, Brake, Rear |
| 5 | 532132205 | Bracket, Clutch/Brake Pedal, L.H. | 22 | 532127378 | Trunnion, Lift |
| 6 | 876020312 | Pin, Cotter 3/32 x 3/4 | 23 | 873680600 | Nut, Crownlock 3/8-16 UNC |
| 7 | 819131016 | Washer 13/32 x 5/8 x 16 Gauge | 24 | 819132012 | Washer 13/32 x 1-1/4 x 12 Gauge |
| 8 | 817490508 | Screw, Hex Head, Thd., Roll. 5/16-18 x 1/2 | 25 | 532124961 | Spring, Retainer |
| 9 | 876020412 | Pin, Cotter 1/8 x 3/4 | 26 | 873930600 | Nut, Centerlock 3/8-16 UNC |
| 10 | 819131316 | Washer 13/32 x 13/16 x 16 Gauge | 27 | 532136780 | Link, Lift, Rear |
| 11 | 532123543 | Rod, Brake, Front | 28 | 532136779 | Assembly, Rear Mower Lift |
| 12 | 532136263 | Assembly, Clutch/Brake Pedal | 29 | 872110506 | Bolt, Carriage 5/16-18 UNC x 3/4 |
| 13 | 532123394 | Rod, Clutch | 30 | 873510500 | Nut, Hex, Keps 5/16-16 UNC |
| 14 | 532121978 | Bracket, Lift Shaft | 31 | 532133095 | Spring, Counterbalance |
| 15 | 532123641 | Assembly, Brake, Pivot, Arm | 32 | 532133721 | Link, Lift Lever |
| 16 | 819251816 | Washer 25/32 x 1-1/8 x 16 Gauge | | | |
| 17 | 812000034 | Ring, Klip | | | |

NOTE: All component dimensions given in U.S. inches
1 inch = 25.4 mm

HARDWARE SHOWN LARGER FOR EASIER IDENTIFICATION

REPAIR PARTS

12.5 HP 38" TRACTOR-MODEL NO. LR125 (HU125R38MA), PRODUCT NO. 954 00 05-22
ENGINE



| KEY NO. | PART NO. | DESCRIPTION | KEY NO. | PART NO. | DESCRIPTION |
|---------|-----------|--|---------|-----------|---|
| 1 | 817060408 | Screw, Hex Head, Thread Cutting 1/4-20 x 1/2 | 12 | 532138149 | Muffler |
| 2 | 532132753 | Control, Throttle | 13 | --- | Plug, Oil Drain (Order From Engine Manufacturer) |
| 3 | --- | Engine, Kohler, Model No. CV12.5S | 15 | 532137180 | Arrester, Spark (Optional Equipment) |
| 5 | 810040500 | Washer, Lock, Heavy Helical Spring 5/16 | 17 | 532125398 | Bolt, Hex Head |
| 9 | 813280328 | Nipple, Pipe 3/8 N.P.T. x 3-1/2 | 18 | 532126636 | Keeper, Ground Drive Belt |
| 10 | 813200300 | Elbow, Standard 90° | | | |
| 11 | 874760508 | Bolt, Hex Head, Fin. 5/16-18 x 1/2 | | | |

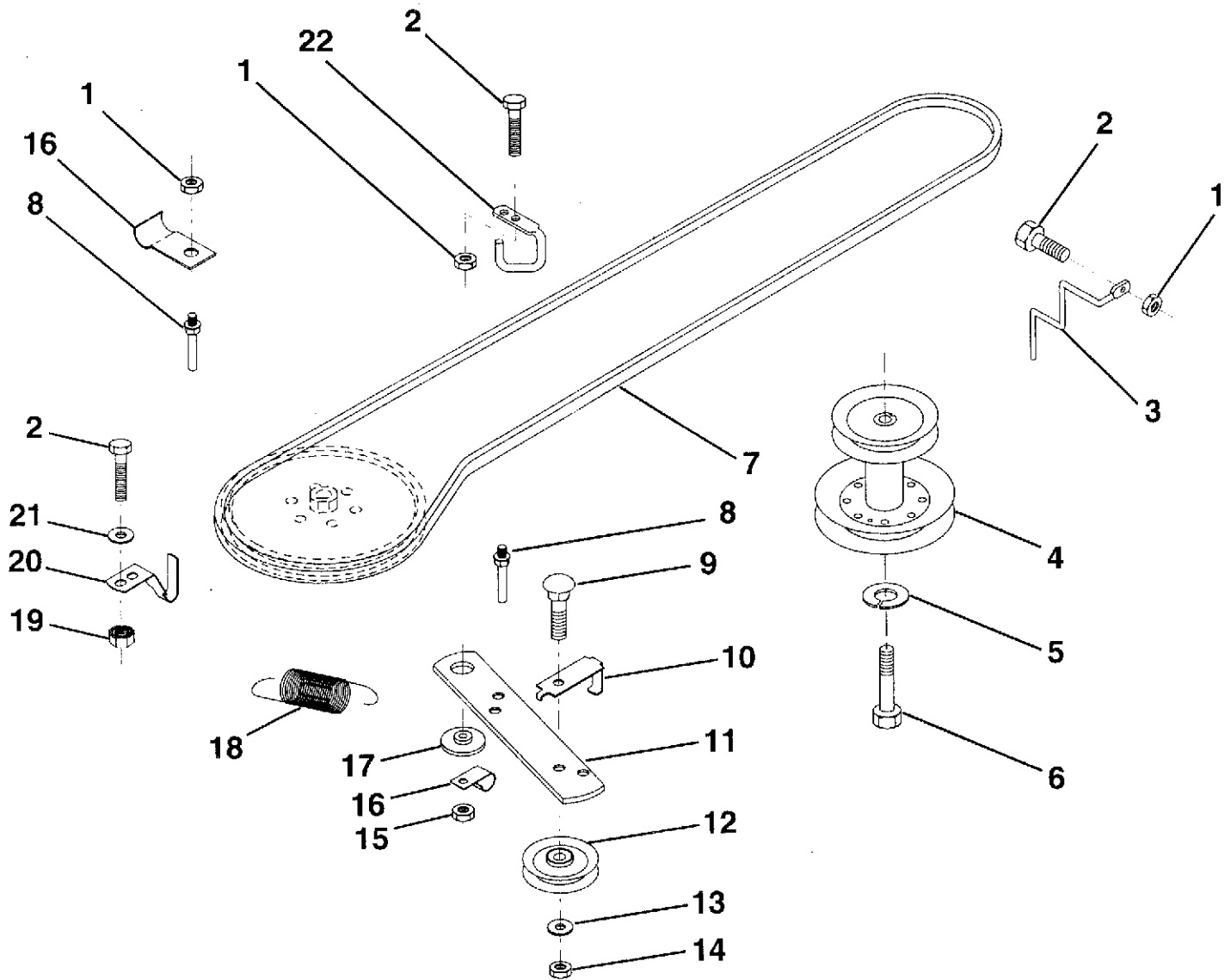
NOTE: All component dimensions given in U.S. inches
1 inch = 25.4 mm

HARDWARE SHOWN LARGER FOR EASIER IDENTIFICATION

REPAIR PARTS

12.5 HP 38" TRACTOR-MODEL NO. LR125 (HU125R38MA), PRODUCT NO. 954 00 05-22

GROUND DRIVE



| KEY NO. | PART NO. | DESCRIPTION | KEY NO. | PART NO. | DESCRIPTION |
|---------|-----------|-----------------------------------|---------|-----------|---------------------------------|
| 1 | 873680500 | Nut, Hex, Crownlock 5/16-18 | 13 | 819131316 | Washer 13/32 x 13/16 x 16 Gauge |
| 2 | 874760512 | Bolt, Hex Head 5/16-18 UNC x 3/4 | 14 | 873930600 | Nut, Centerlock 3/8-16 UNC |
| 3 | 532132946 | Keeper, Mower Drive Belt, R.H. | 15 | 873680600 | Nut, Crownlock 3/8-16 UNC |
| 4 | 532135036 | Pulley, Engine | 16 | 532126471 | Clip, Insulated |
| 5 | 810040700 | Washer, Lock 7/16 | 17 | 532122052 | Spacer, Retainer |
| 6 | 532138887 | Bolt, Hex Head M10 x 1.5 x .75mm | 18 | 532131459 | Spring Extension |
| 7 | 532126520 | V-Belt, Ground Drive | 19 | 873510500 | Nut, Keps 5/16-18 UNC |
| 8 | 532123405 | Keeper, Ground Drive Belt | 20 | 532123891 | Keeper, T/A Ground Drive Belt |
| 9 | 872140612 | Bolt, Carriage 3/8-16 UNC x 1-1/2 | 21 | 819111016 | Washer 11/32 x 5/8 x 16 Ga. |
| 10 | 532123396 | Keeper, Ground Drive Belt, Idler | 22 | 532123404 | Keeper, Frame Ground Drive Belt |
| 11 | 532123395 | Clutch Arm, Ground Drive | | | |
| 12 | 532004859 | Idler, Flat | | | |

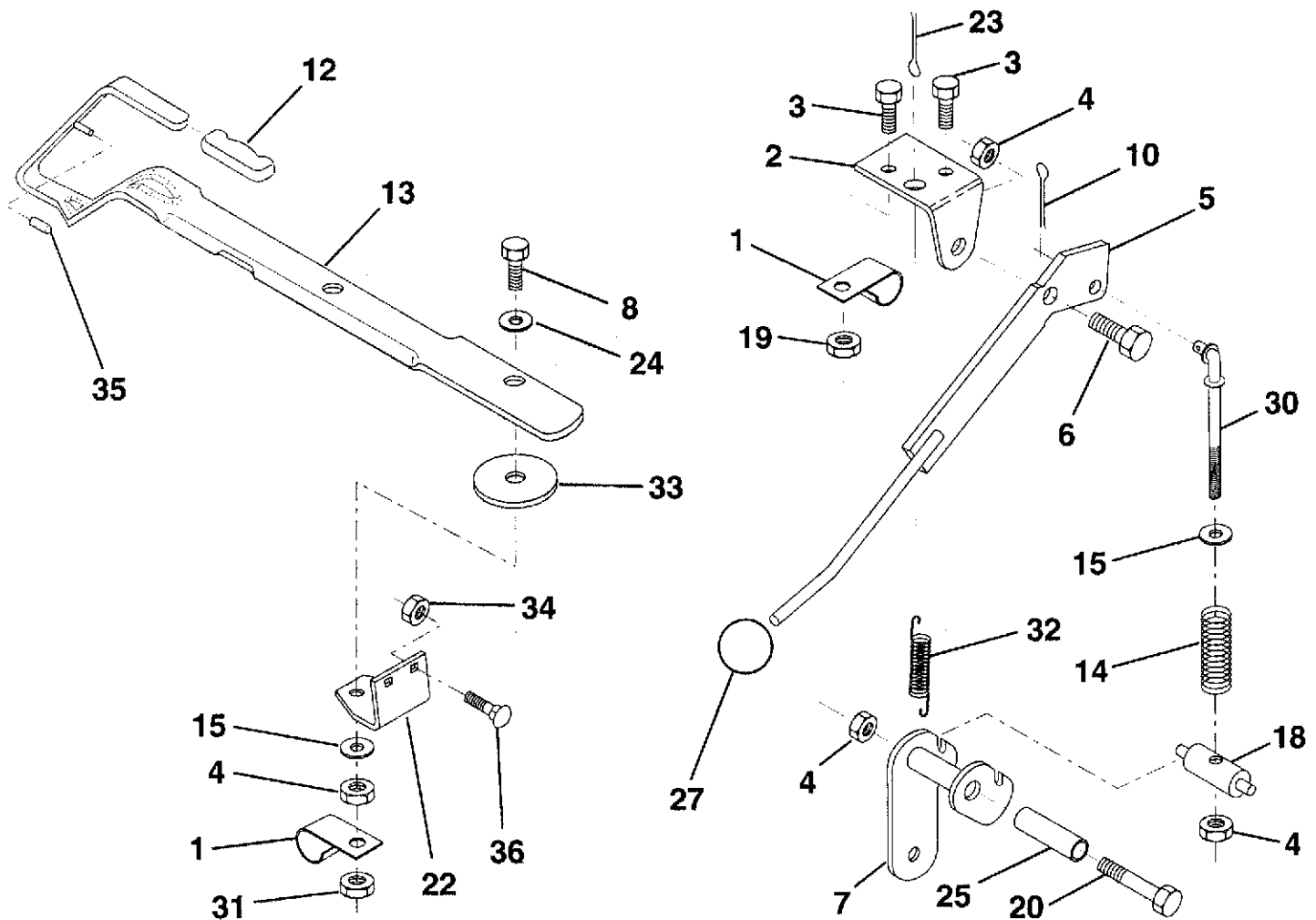
NOTE: All component dimensions given in U.S. inches
1 inch = 25.4 mm

HARDWARE SHOWN LARGER FOR EASIER IDENTIFICATION

REPAIR PARTS

12.5 HP 38" TRACTOR-MODEL NO. LR125 (HU125R38MA), PRODUCT NO. 954 00 05-22

MOWER LIFT LEVER



| KEY NO. | PART NO. | DESCRIPTION | KEY NO. | PART NO. | DESCRIPTION |
|---------|-----------|---|---------|-----------|---|
| 1 | 532126470 | Clip, Insulated | 20 | 874760644 | Bolt, Hex Head, Fin. 3/8-16 UNC x 2-3/4 |
| 2 | 532122018 | Bracket, Mower Clutch | 22 | 532132561 | Bracket, Lift Lever |
| 3 | 874780408 | Bolt, Hex Head, Fin. 1/4-20 UNC x 1/2 Grade 5 | 23 | 876020312 | Pin, Cotter 3/32 x 3/4 |
| 4 | 873680600 | Nut, Crownlock 3/8-16 UNC | 24 | 532007672 | Washer 25/64 x 1-1/4 x 12 Gauge |
| 5 | 532132552 | Assembly, Clutch Lever | 25 | 532121933 | Tube, Spacer |
| 6 | 532106451 | Bolt, Shoulder | 27 | 532121466 | Knob |
| 7 | 532135110 | Assembly, Mower Clutch Arm | 30 | 532135039 | Rod, Tension, Clutch |
| 8 | 874930624 | Bolt, Hex Head 3/8-16 UNC x 1-1/2 | 31 | 873930600 | Nut, Centerlock |
| 10 | 876020412 | Pin, Cotter 1/8 x 3/4 | 32 | 532133435 | Spring, Extension, Return |
| 12 | 532122027 | Handle, Lift Lever | 33 | 532062333 | Washer .390 x 1.437 x .074 |
| 13 | 532136658 | Assembly, Lift Handle | 34 | 873680500 | Nut, Crownlock 5/16-18 |
| 14 | 532133939 | Spring, Compression | 35 | 532133603 | Cap, Vinyl, Red |
| 15 | 819131616 | Washer 13/32 x 1 x 11 Gauge | 36 | 872140506 | Bolt, Carriage 5/16-18 x 3/4 |
| 18 | 532135107 | Trunnion, Threaded 3/8-16 | | | |
| 19 | 873680400 | Nut, Crownlock 1/4-20 | | | |

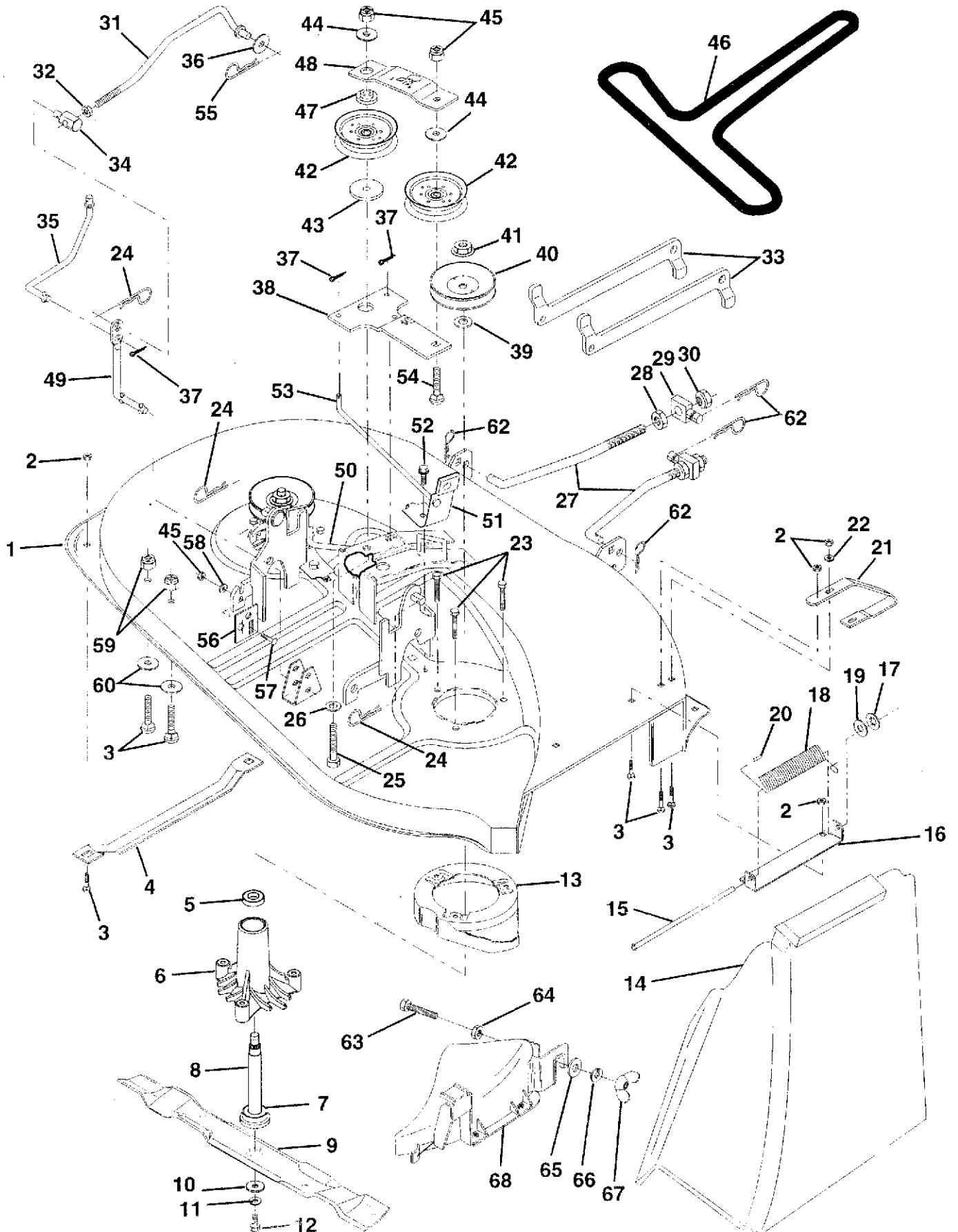
NOTE: All component dimensions given in U.S. inches
1 inch = 25.4 mm

HARDWARE SHOWN LARGER FOR EASIER IDENTIFICATION

REPAIR PARTS

12.5 HP 38" TRACTOR-MODEL NO. LR125 (HU125R38MA), PRODUCT NO. 954 00 05-22

MOWER DECK



For Husqvarna Parts Call 606-678-9623 or 606-561-4983

REPAIR PARTS

12.5 HP 38" TRACTOR-MODEL NO. LR125 (HU125R38MA), PRODUCT NO. 954 00 05-22
MOWER DECK

| KEY NO. | PART NO. | DESCRIPTION | KEY NO. | PART NO. | DESCRIPTION |
|---------|-----------|---|---------|-----------|---|
| 1 | 532138356 | Mower Deck Assembly | 40 | 532129206 | Pulley, Mandrel |
| 2 | 873680500 | Nut, Crownlock 5/16-18 | 41 | 873050900 | Nut, Flangelock 9/16 |
| 3 | 872140506 | Bolt, Carriage 5/16-18 x 3/4 | 42 | 532131494 | Pulley, Flat Idler |
| 4 | 532125074 | Runner, L.H. | 43 | 532122052 | Spacer, Retainer |
| 5 | 532110485 | Bearing | 44 | 819131612 | Washer 13/32 x 1 x 12 Gauge |
| 6 | 532128774 | Housing, Mandrel | 45 | 873680600 | Nut, Crownlock 3/8-16 |
| 7 | 532129895 | Bearing | 46 | 532131290 | Belt |
| 8 | 532137645 | Shaft and Bearing Assembly, Mandrel (Includes Key Number 7) | 47 | 532133502 | Spacer, Idler Arm |
| 9 | 532134148 | Blade, Mulching | 48 | 532133503 | Stiffener, Idler Arm |
| 10 | 532129962 | Washer, Hardened | 49 | 532133551 | Rod, Pivot |
| 11 | 810030600 | Washer, Lock 3/8 | 50 | 532131289 | Rod, Brake, L.H. |
| 12 | 532850857 | Bolt, Hex 3/8-24 x 1-1/4 Grade 8 | 51 | 532130840 | Brake Assembly |
| 13 | 532136929 | Stripper, Mower, Vented | 52 | 817490512 | Screw, Hex Washer Head, Thd., Roll. 5/16-18 x 3/4 |
| 14 | 532106736 | Shield, Deflector | 53 | 532131288 | Rod, Brake, R.H. |
| 15 | 532106735 | Rod, Hinge | 54 | 872110614 | Bolt, Carriage 3/8-16 x 1-3/4 Grade 5 |
| 16 | 532137607 | Bracket Assembly, Deflector | 55 | 532124788 | Spring, Retainer |
| 17 | 532110452 | Pushnut | 56 | 532136782 | Plate, Adjustment, Rear Link, L.H. |
| 18 | 532106734 | Spring, Deflector | 57 | 872140606 | Bolt, Carriage 3/8-16 x 3/4 |
| 19 | 819111016 | Washer 11/32 x 5/8 x 16 Gauge | 58 | 819131212 | Washer 13/32 x 3/4 x 12 Gauge |
| 20 | 532105304 | Cap, Sleeve | 59 | 873800500 | Locknut, Hex, with Washer Insert 5/16-18 |
| 21 | 532128772 | Runner, R.H. | 60 | 819111112 | Washer 11/32 x 11/16 x 12 Gauge |
| 22 | 819111216 | Washer 11/32 x 3/4 x 16 Gauge | 62 | 532124660 | Retainer, Spring |
| 23 | 532078158 | Bolt, Hex Head 5/16-18 x 1-1/4 | 63 | 874930620 | Bolt, Hex Head 3/8-16 x 1-1/4 |
| 24 | 532124670 | Retainer, Spring | 64 | 873750600 | Locknut 3/8-16 |
| 25 | 874600636 | Bolt, Carriage 3/8-16 x 2-1/4 | 65 | 819132016 | Washer 13/32 x 1-1/4 x 16 Gauge |
| 26 | 819131612 | Washer 13/32 x 1 x 12 Gauge | 66 | 810040600 | Washer, Lock, Heavy Helical Spring 3/8 |
| 27 | 532132556 | Link Assembly, Front | 67 | 532135651 | Nut, Wing |
| 28 | 873350800 | Nut, Hex, Jam 1/2-13 UNC | 68 | 532132803 | Cover Assembly, Mulching |
| 29 | 532130171 | Trunnion | -- | 532130794 | Mandrel Assembly (Includes Key Numbers 5-8, 10-12, 39 and 41) |
| 30 | 873800800 | Locknut with Washer Insert 1/2-13 UNC | -- | 532138422 | Mower Deck, Standard - Order Mulching Blade and Mulcher Components Separately (Key Numbers 9 and 63-68) |
| 31 | 532132553 | Clutch Rod, Primary | | | |
| 32 | 873350600 | Nut, Hex, Jam 3/8-16 | | | |
| 33 | 532132559 | Arm, Suspension, Rear | | | |
| 34 | 532133604 | Trunnion 3/8-16 | | | |
| 35 | 532132554 | Clutch Rod, Secondary | | | |
| 36 | 819131316 | Washer 13/32 x 13/16 x 16 Gauge | | | |
| 37 | 876020312 | Pin, Cotter 3/32 x 3/4 | | | |
| 38 | 532133840 | Idler Arm | | | |
| 39 | 532129963 | Washer .150 Thick | | | |

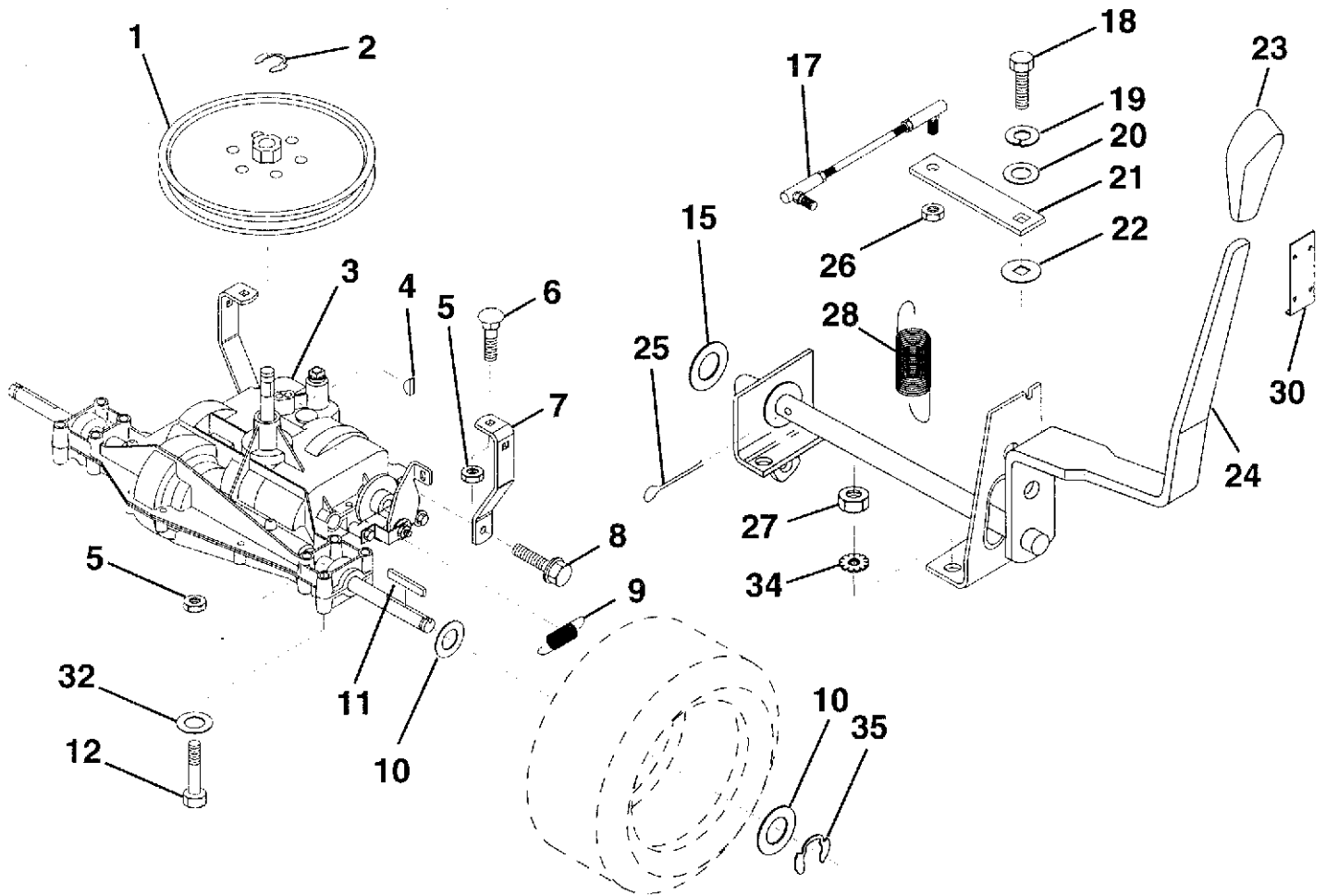
NOTE: All component dimensions given in U.S. inches
1 inch = 25.4 mm

HARDWARE SHOWN LARGER FOR EASIER IDENTIFICATION

REPAIR PARTS

12.5 HP 38" TRACTOR-MODEL NO. LR125 (HU125R38MA), PRODUCT NO. 954 00 05-22

TRANSAXLE



| KEY NO. | PART NO. | DESCRIPTION | KEY NO. | PART NO. | DESCRIPTION |
|---------|-----------|--|---------|-----------|---------------------------------|
| 1 | 532123385 | Pulley | 19 | 810040400 | Washer, Lock 1/4 |
| 2 | 812000028 | Ring, Retainer | 20 | 819091210 | Washer 9/32 x 3/4 x 10 Gauge |
| 3 | --- | Transaxle, Peerless, 6 Speed, Model Number 930-028 | 21 | 532126292 | Arm, Shift |
| 4 | 532125096 | Key, Woodruff #9 | 22 | 532105701 | Washer, Shift Plate |
| 5 | 873680500 | Nut, Hex, Crownlock 5/16-18 | 23 | 532122011 | Knob, Golfclub |
| 6 | 872140506 | Bolt, Carriage 5/16-18 UNC x 3/4 | 24 | 532128202 | Shift Handle Assembly |
| 7 | 532123378 | Strap, Torque | 25 | 876020416 | Pin, Cotter 1/8 x 1 |
| 8 | 817490512 | Screw 5/16-18 x 3/4 | 26 | 873810500 | Locknut 5/16-24 UNF |
| 9 | 532110422 | Spring, Brake | 27 | 873510500 | Nut, Hex, Keps 5/16-18 |
| 10 | 532121749 | Washer 25/32 x 1-1/4 x 16 Gauge | 28 | 532128085 | Extension, Spring |
| 11 | 532123583 | Key, Square | 30 | 532123692 | Retainer Knob |
| 12 | 874760540 | Bolt, Hex, Fin. 5/16-18 x 2-1/2 | 32 | 819111116 | Washer 11/32 x 11/16 x 16 Gauge |
| 15 | 819171616 | Washer 17/32 x 1 x 16 Gauge | 34 | 811050500 | Washer, External Tooth 5/16 |
| 17 | 532126293 | Link, Shift | 35 | 812000001 | E-Ring |
| 18 | 871040412 | Bolt, Hex, Fin. 1/4-28 UNF x 3/4 Grade 8 | | | |

NOTE: All component dimensions given in U.S. inches
1 inch = 25.4 mm

HARDWARE SHOWN LARGER FOR EASIER IDENTIFICATION