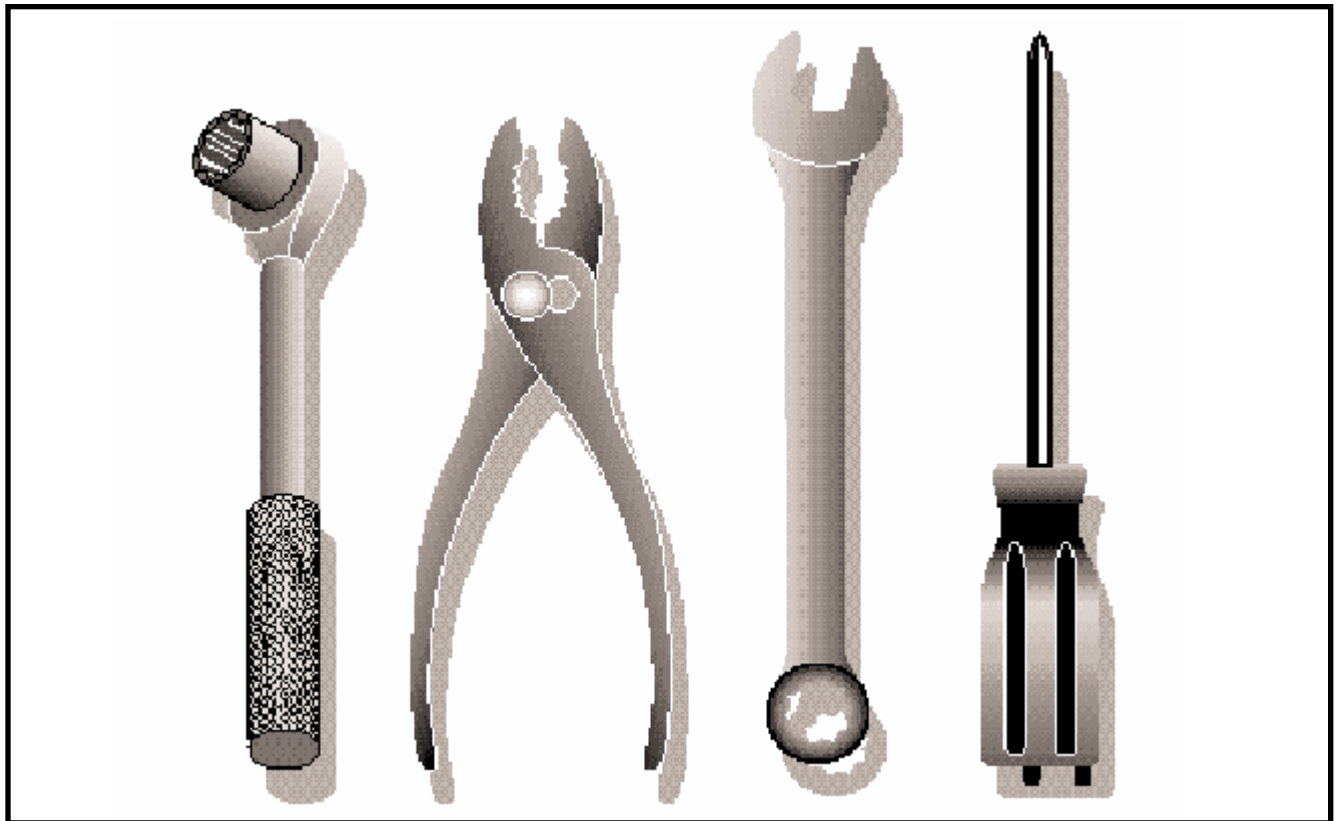




Illustrated Parts List	1991-01
	I9102004

# 51 D

(H51DB) 954052601



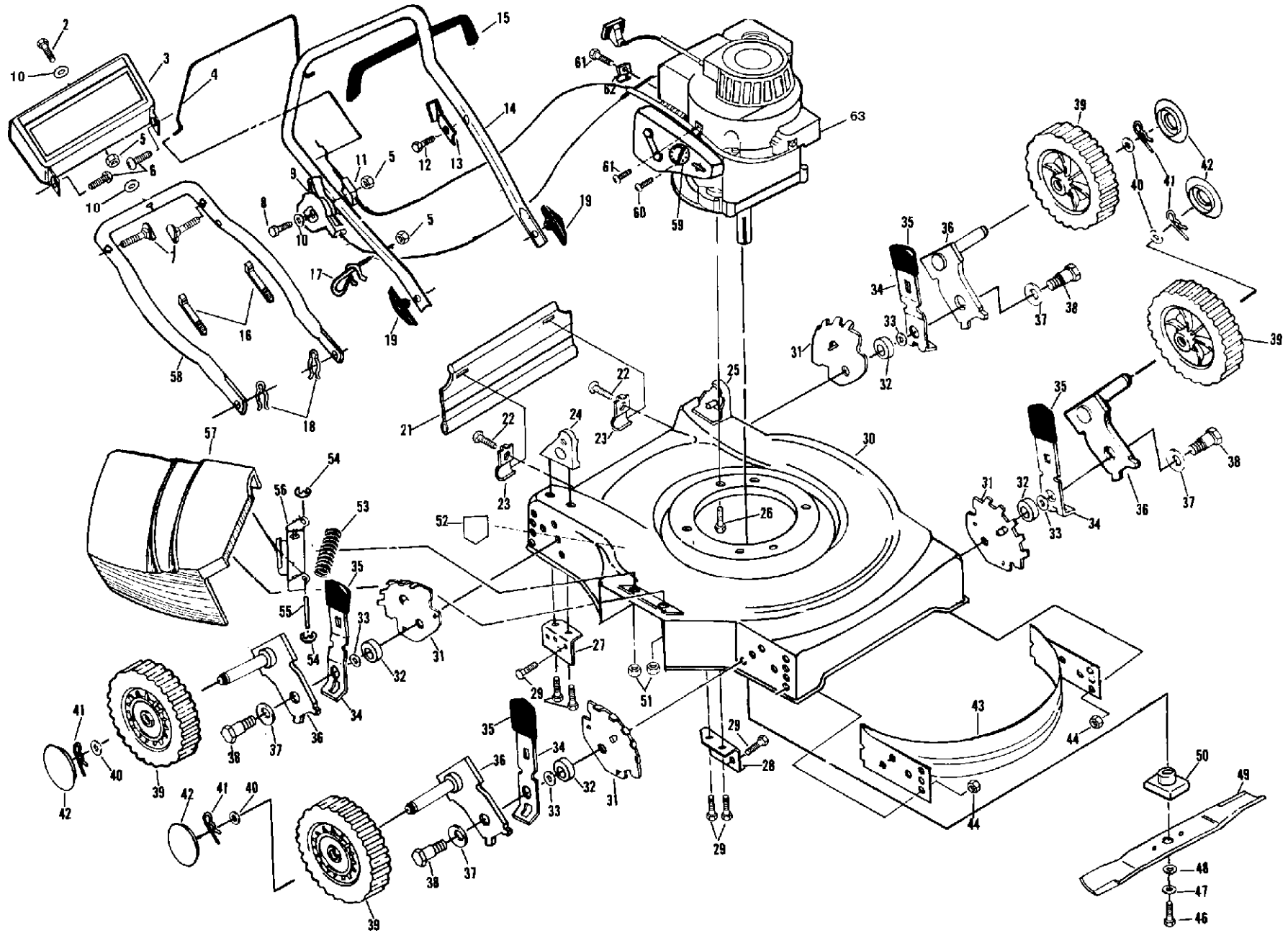
Repair Parts Manual

Ride Mower

For Husqvarna Parts Call 606-678-9623 or 606-561-4983

REPAIR PARTS

20" ROTARY LAWN MOWER - - MODEL NO. 51d, PRODUCT NO. 954 05 26-01



**REPAIR PARTS**

**20" ROTARY LAWN MOWER - - MODEL NO. 51d, PRODUCT NO. 954 05 26-01**

KEY NO.	PART NO.	DESCRIPTION
2	532 08 54-36	Hex Washer Head Screw 1/4-20 x 1-1/2
3	532 80 05-47	Trim Plate
4	532 85 07-58	Control Bar
5	532 06 36 01	Locknut 1/4-20
6	532 03 69-53	Self-tapping Screw #10-24 x 5/8
7	532 05 87-14	Handle Bolt 5/16-18 x 1-3/4
8	532 08 56-92	Machine Screw 1/4-20 x 2-1/8
9	532 85 14-61	Throttle Control
10	532 08 57-23	Washer
11	532 85 16-69	Engine Zone Control Cable
12	532 75 00-97	Hex Washer Head Screw #10-24 x 1/2
13	532 12 51-62	Up-Stop Bracket
14	532 12 51-71	Upper Handle
15	532 85 07-24	Handle Grip
16	532 06 64-26	Wire Tie
17	532 80 03-57	Rope Guide
18	532 05 17-93	Hairpin Cotter
19	532 06 36-88	Handle Knob
21	532 70 00-62	Rear Skirt
22	532 08 12-76	Hex Washer Head Screw #10-24 x 1/2
23	532 12 52-07	Rear Skirt Bracket
24	532 12 51-64	Handle Bracket Assembly (Right)
25	532 12 51-63	Handle Bracket Assembly (Left)
26	532 85 09-98	Thread Rolling Screw 3/8-16 x 1
27	532 12 52-05	Support Handle Bracket (Right)
28	532 12 52-06	Support Handle Bracket (Left)
29	532 05 51-87	Screw 5/16-18
30	532 80 10-91	Lawn Mower Housing (Includes Key #52)
31	532 12 51-67	Wheel Adjusting Bracket
32	532 08 49-20	Spacer
33	532 08 83-48	Washer
34	532 12 51-68	Selector Spring
35	532 07 78-65	Selector Knob
36	532 12 51-72	Axle Arm Assembly

KEY NO.	PART NO.	DESCRIPTION
37	532 06 23-35	Belleville Washer
38	532 08 49-21	Shoulder Bolt 3/8-16
39	532 08 69-84	Wheel Assembly 8.0 x 2.0
40	532 05 21-60	Washer
41	532 08 51-79	Retainer Clip
42	532 80 06-27	Hubcap
43	532 12 50-44	Front Baffle
44	532 06 23-36	Locknut 3/8-16
46	532 85 10-84	Hex Head Screw 3/8-24 x 1-3/8 Gr. 8
47	532 85 02-63	Helical Lockwasher 3/8
48	532 85 10-74	Hardened Washer
49	532 85 09-72	20" Blade
50	532 85 15-14	Blade Adapter
51	532 05 34-90	Locknut
52	532 10 73-39	Danger Decal
53	532 08 75-89	Torsion Spring
54	532 03 37-50	E-Ring
55	532 08 75-90	Hinge Rod
56	532 08 75-93	Housing Bracket Assembly
57	532 85 07-78	Discharge Guard
58	532 12 51-73	Lower Handle
59	532 10 32-51	* Muffler Deflector
60	532 09 37-05	* Screw #8-32 x 3/8
61	532 10 74-88	Thread Rolling Screw #10-32 x 5/8
62	532 21 31-46	* Cable Clamp
63	-- -- -- -- --	* Engine - Briggs & Stratton Model No. 96502, Type No. 3123-01
--	532 12 50-46	Rear Baffle (Not Shown)
--	532 80 16-75	Operator's Manual (English)
--	532 12 84-33	Operator's Manual (French)
--	532 80 05-70	Decal (Engine)
--	532 80 05-71	Decal (Housing)
--	532 85 07-88	Decal (Trim Plate)

\* These parts must be purchased through an authorized Briggs & Stratton dealer.