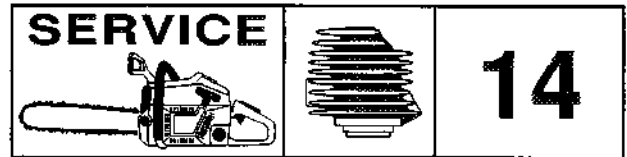
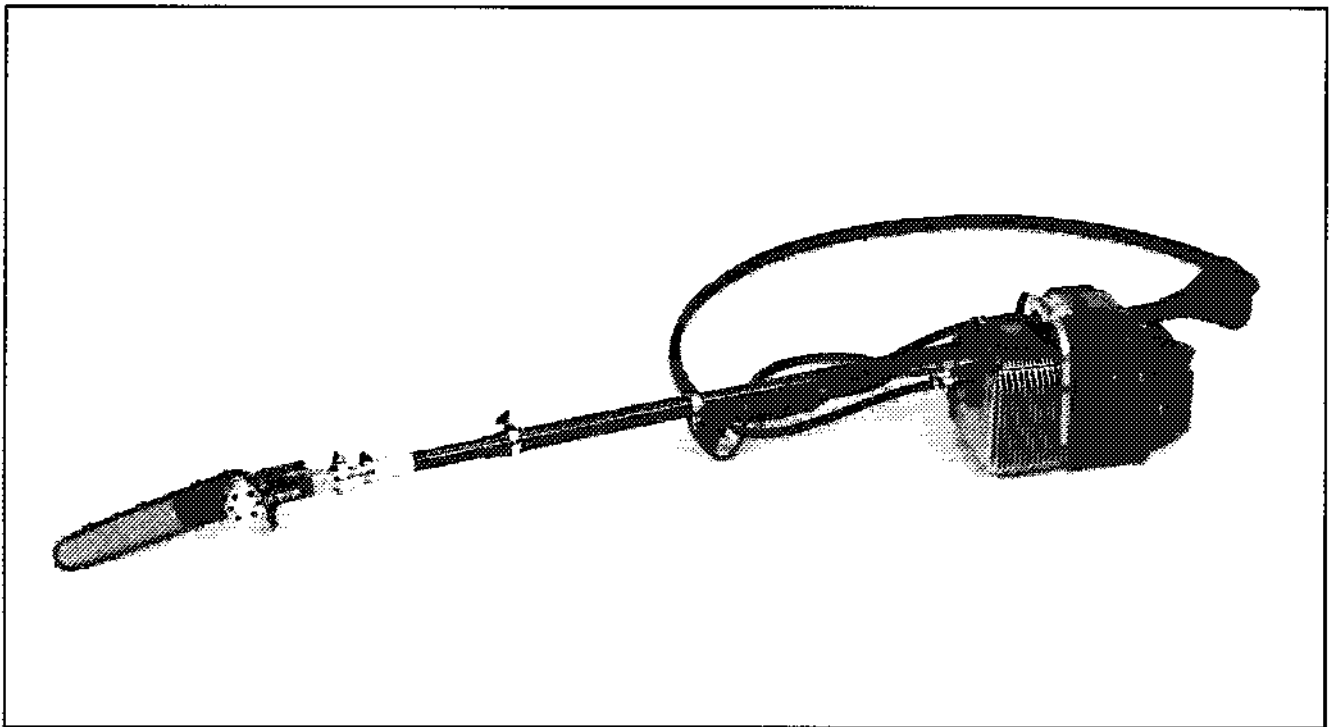


 **Husqvarna**



PS 50



1.1991

Spare parts

Ersatzteile

Pièces détachées

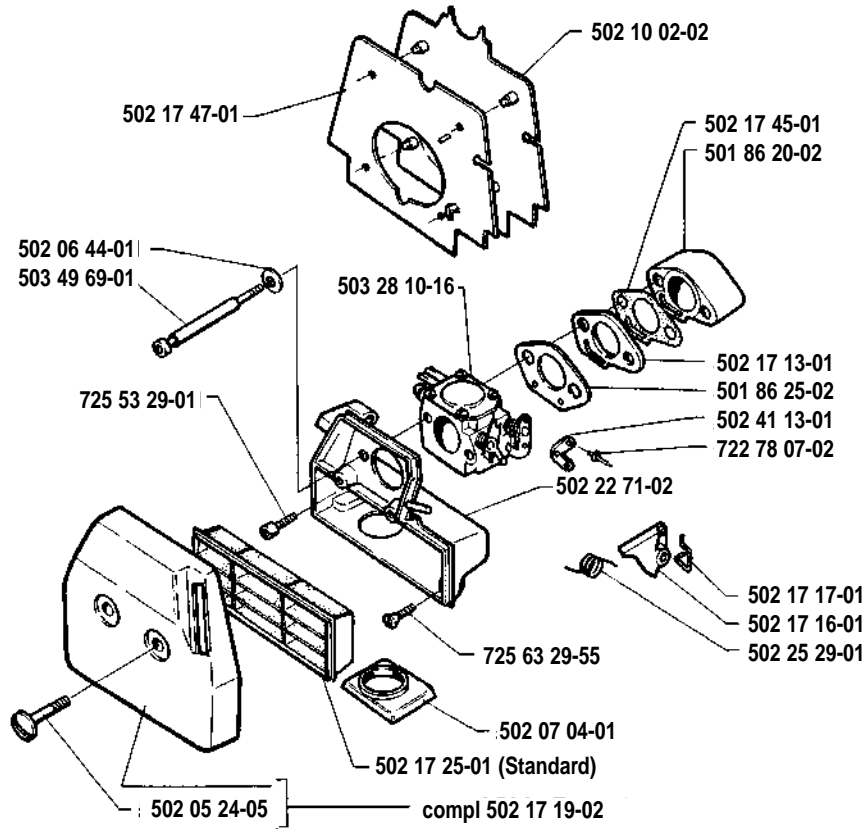
Repuestos

Reservdelar

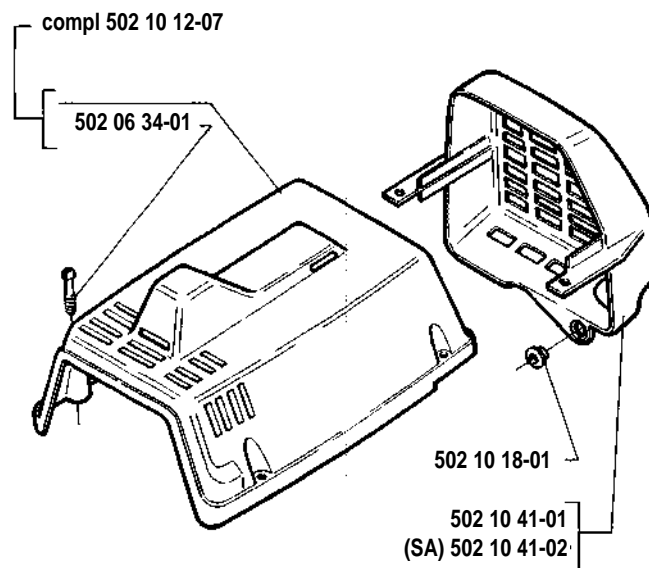
MODEL NUMBER PS50

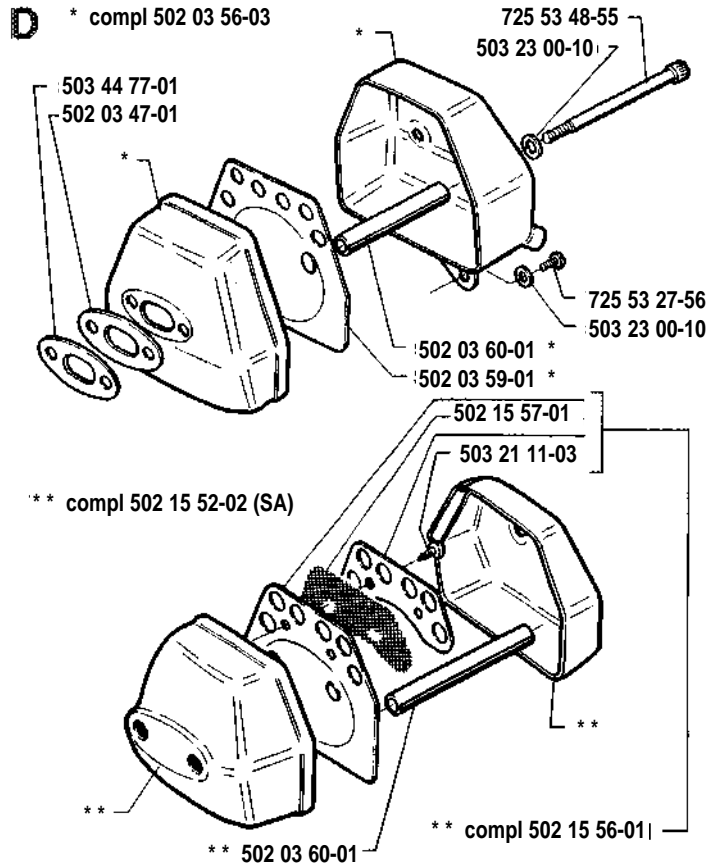
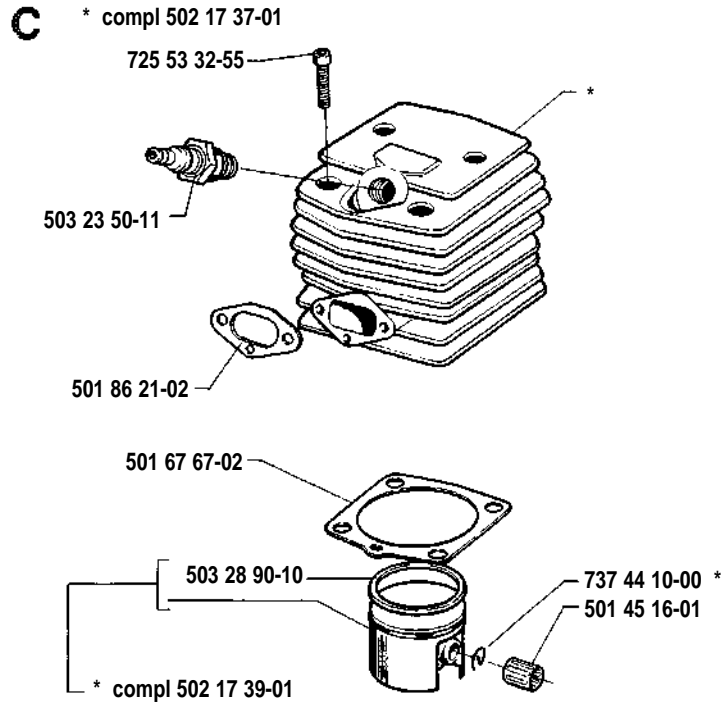
PARTNUMBER	SQUARE	NOTE	PARTNUMBER	SQUARE	NOTE	PARTNUMBER	SQUARE	NOTE	PARTNUMBER	SQUARE	NOTE
501 26 97-02	G,M		502 17 47-01	A		502 41 24-01	G		503 49 69-01	A	
501 45 16-01	C		502 17 81-01	F		502 41 25-01	G		503 54 39-01	F	
501 45 61-01	G		502 20 30-11	K		502 41 29-02	G		503 56 21-01	N	
501 46 07-02	K		502 22 71-02	A		502 41 30-02	G		503 56 23-01	N	
501 46 57-01	J		502 25 29-01	A		502 41 31-01	G		503 56 25-01	N	
501 46 84-01	N		502 25 40-01	L		502 41 34-02	G		503 56 34-01	N	
501 46 86-01	N		502 25 45-01	N		502 41 35-01	G		503 57 42-01	N	
501 46 87-01	N		502 25 46-01	N		502 41 36-01	G		503 58 15-01	N	
501 48 54-02	J		502 25 47-01	N		502 41 37-01	G		503 59 63-01	N	
501 48 92-01	J		502 26 30-01	F		502 41 38-01	G		503 61 48-01	N	
501 53 16-01	J		502 40 03-05	K		502 41 41-01	G		504 02 72-12	N	
501 54 15-02	J		502 40 04-04	G		502 41 48-01	L		504 02 72-13	N	
501 59 41-01	M		502 40 05-01	M		502 41 49-01	H		504 13 09-05	N	
501 66 61-01	N		502 40 39-01	K		502 41 56-03	G		504 21 00-48	N	
501 66 62-01	N		502 40 42-01	K		502 41 59-01	G		504 86 04-08	N	
501 66 67-01	N		502 40 45-01	K		502 41 65-01	M		505 27 75-16	J	
501 66 69-01	N		502 40 46-01	K		502 41 69-01	M		505 30 51-25	F	
501 66 73-01	N		502 40 47-02	K		502 41 71-01	M		505 31 55-44	G	
501 66 77-01	N		502 40 49-01	K		502 41 74-01	O		505 31 67-17	N	
501 66 78-01	N		502 40 50-01	K		502 41 91-02	K		505 52 01-25	N	
501 66 83-01	N		502 40 52-01	K		502 41 97-01	M		506 02 72-01	J	
501 66 84-01	N		502 40 59-01	K		502 42 03-01	M		506 02 83-01	N	
501 67 67-02	C		502 40 60-01	K		502 42 04-01	O		506 02 94-01	K	
501 68 89-01	O		502 40 61-01	K		502 42 06-01	G		720 13 07-10	H	
501 69 17-01	O		502 40 63-01	K		502 42 07-01	G		722 78 07-02	A,L	
501 79 59-01	N		502 40 65-12	K		502 42 07-02	G		723 13 31-01	L	
501 86 20-02	A		502 40 65-13	K		502 42 15-01	P		725 52 92-55	H	
501 86 21-02	C		502 40 65-14	K		502 42 16-01	P		725 52 95-56	J	
501 86 25-02	A		502 40 65-15	K		502 42 17-01	P		725 53 27-56	D	
502 00 21-04	F		502 40 65-16	K		502 42 18-01	K		725 53 29-01	A,F	
502 03 47-01	D		502 40 69-01	G		502 42 19-01	G		725 53 29-55	G	
502 03 56-03	D		502 40 70-01	K		502 42 31-01	K		725 53 31-55	G	
502 03 59-01	D		502 40 71-01	G,K		502 42 32-01	K		725 53 32-55	C	
502 03 60-01	D		502 40 71-02	G		502 42 33-01	G		725 53 35-55	H	
502 03 86-03	F		502 40 71-03	G		502 42 35-02	K		725 53 43-55	H	
502 05 02-02	H		502 40 71-04	G,K		502 42 35-03	K		725 53 48-55	D	
502 05 05-03	H		502 40 72-16	K,P		502 42 35-04	K		725 63 25-55	K	
502 05 07-02	H		502 40 73-02	P		502 42 35-05	K		725 63 29-55	A	
502 05 24-05	A		502 40 74-02	K		502 42 35-06	K		729 22 23-01	F	
502 05 35-05	J		502 40 75-01	K		502 42 38-01	K		729 52 21-01	L	
502 05 42-01	J		502 40 84-01	O		502 42 43-01	F		729 52 26-71	L	
502 06 34-01	B		502 40 88-01	K		503 08 20-01	N		729 52 30-71	L	
502 06 40-01	E		502 40 88-02	K		503 09 83-02	L		731 23 14-01	L	
502 06 44-01	A,H		502 40 89-01	K		503 10 87-01	N		731 23 18-01	J	
502 06 93-03	G		502 40 89-02	G		503 15 82-01	H		732 21 14-01	L	
502 07 04-01	A		502 40 89-07	K		503 16 17-01	N		734 11 36-01	H	
502 10 02-02	A		502 40 89-08	K		503 20 00-02	F		734 11 36-41	L	
502 10 12-07	B		502 40 92-01	K		503 20 20-05	K		735 11 36-50	J	
502 10 18-01	B		502 40 93-01	K		503 20 40-20	O		735 11 64-50	J	
502 10 41-01	B		502 40 94-81	K		503 20 64-10	G,K,M		735 80 15-00	E	
502 10 41-02	B		502 41 00-01	L		503 20 64-16	K		737 44 10-00	C	
502 11 98-01	N		502 41 01-01	L		503 20 64-20	H		738 22 02-15	E	
502 14 44-01	L		502 41 02-01	L		503 20 65-10	G		950 26 71-09	O	
502 15 52-02	D		502 41 03-01	L		503 20 65-16	F				
502 15 56-01	D		502 41 04-01	L		503 20 70-16	G				
502 15 57-01	D		502 41 05-01	L		503 21 11-03	D				
502 17 05-02	M		502 41 06-01	L		503 22 21-02	G				
502 17 13-01	A		502 41 07-01	H		503 22 65-01	K				
502 17 16-01	A		502 41 09-01	L		503 22 65-03	F				
502 17 17-01	A		502 41 13-01	A		503 22 66-01	K				
502 17 19-02	A		502 41 14-01	F		503 23 00-05	J				
502 17 20-02	F		502 41 15-01	J		503 23 00-10	D				
502 17 21-01	F		502 41 16-01	L		503 23 00-35	H				
502 17 25-01	A		502 41 17-01	L		503 23 50-11	C				
502 17 25-02	P		502 41 18-01	L		503 26 02-04	H				
502 17 28-02	F		502 41 19-01	L		503 28 10-16	A,N				
502 17 33-02	H		502 41 20-01	H		503 28 90-10	C				
502 17 37-01	C		502 41 21-01	L		503 30 31-32	K				
502 17 39-01	C		502 41 22-01	F		503 44 32-01	F				
502 17 45-01	A		502 41 23-01	G		503 44 77-01	D				

A

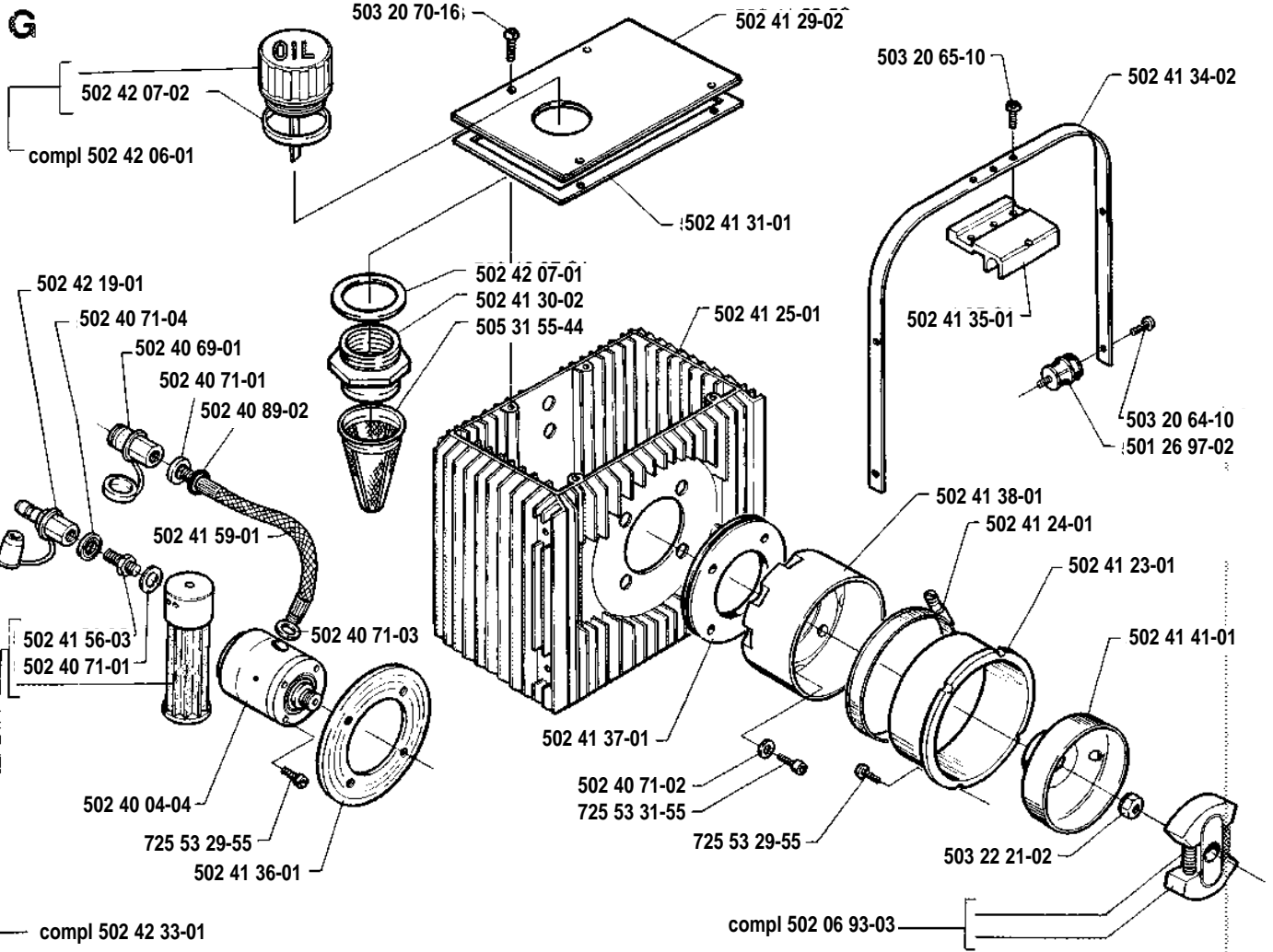
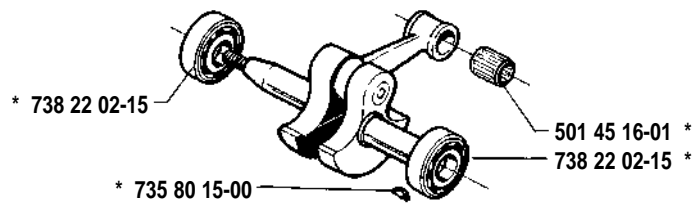


B



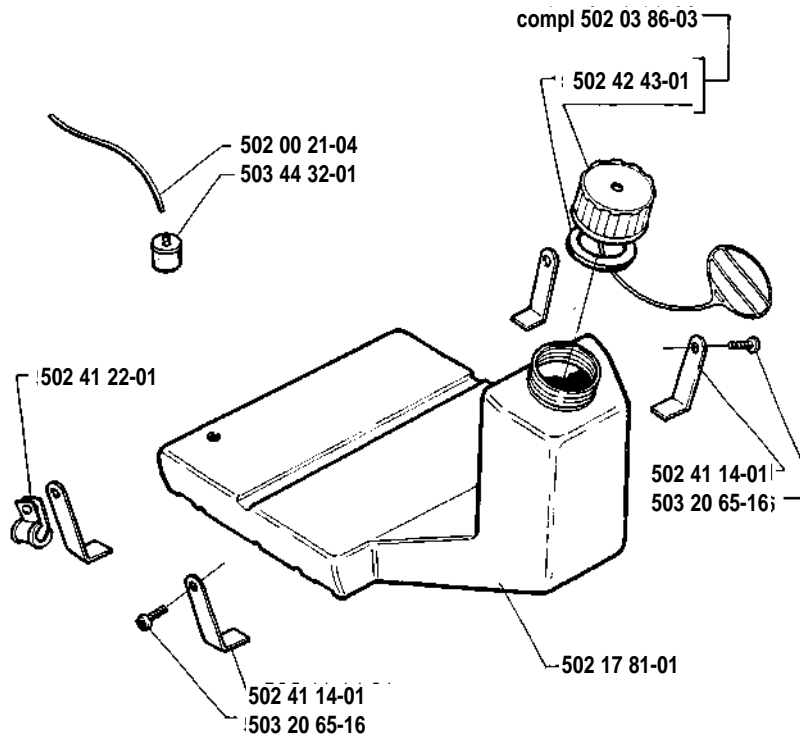
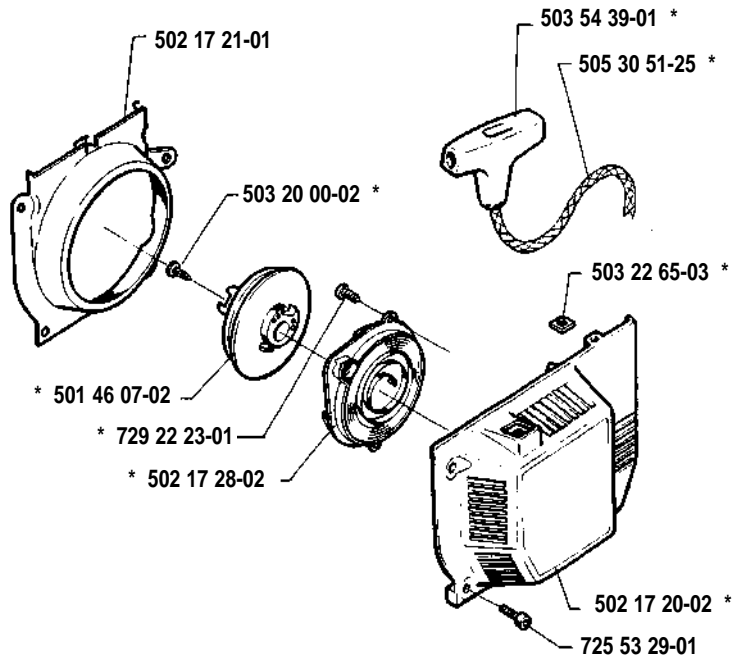


E * compl 502 06 40-01



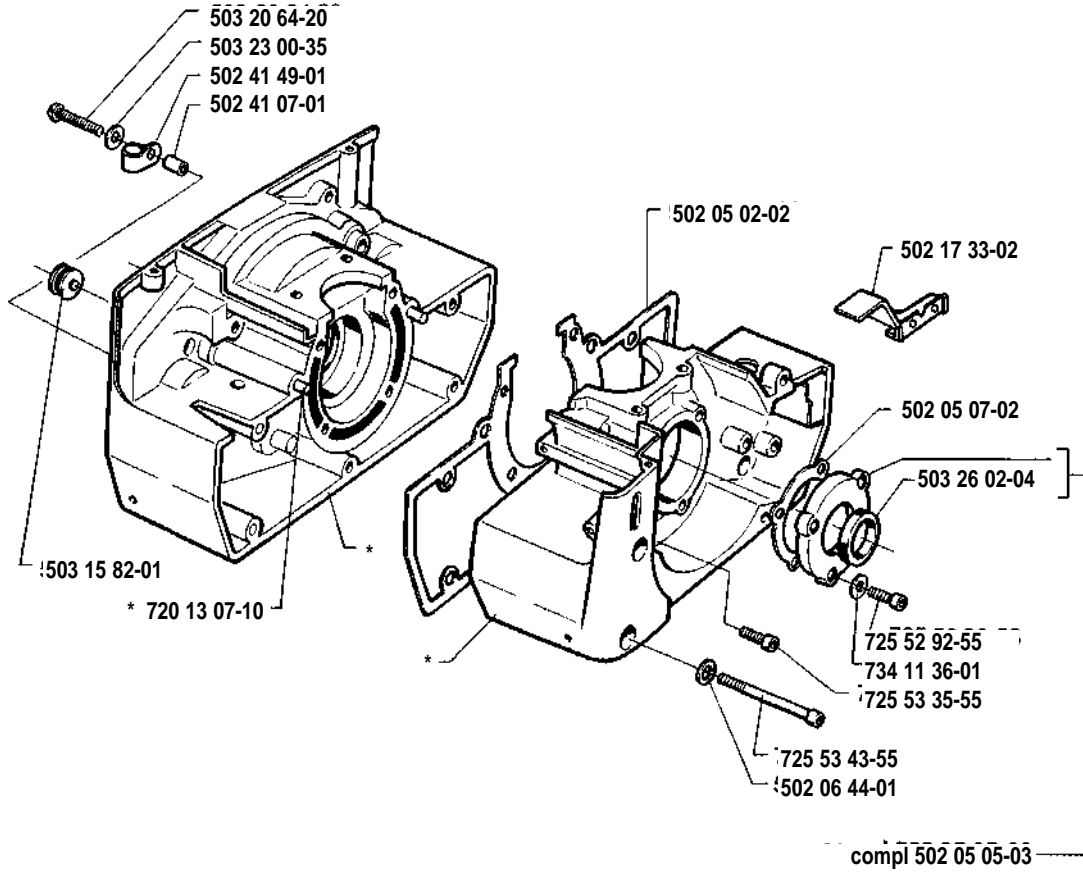
F

* compl 502 26 30-01



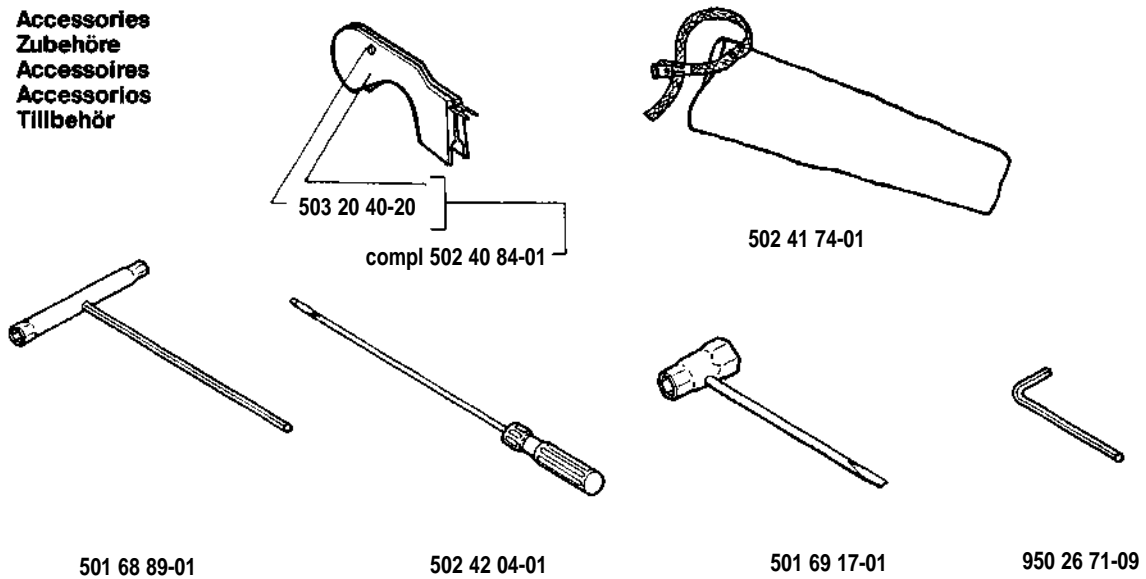
H

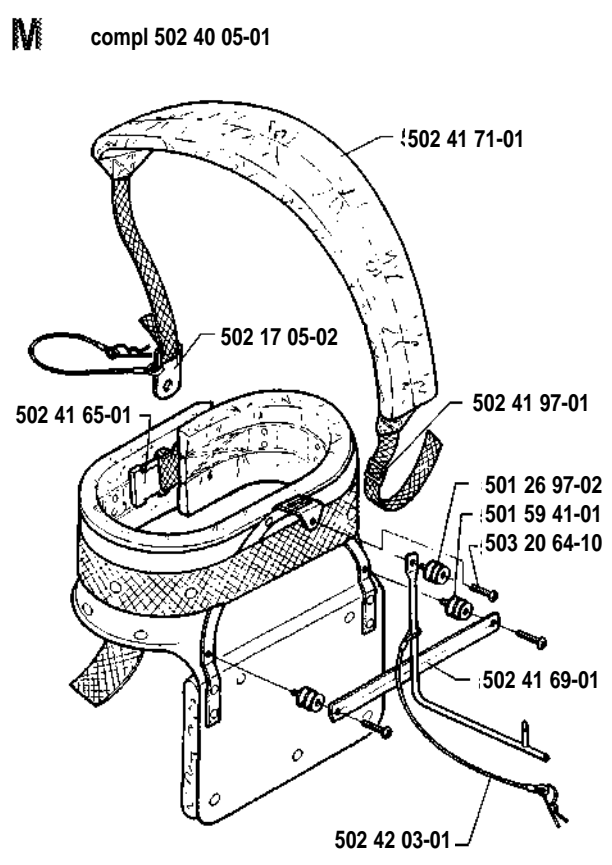
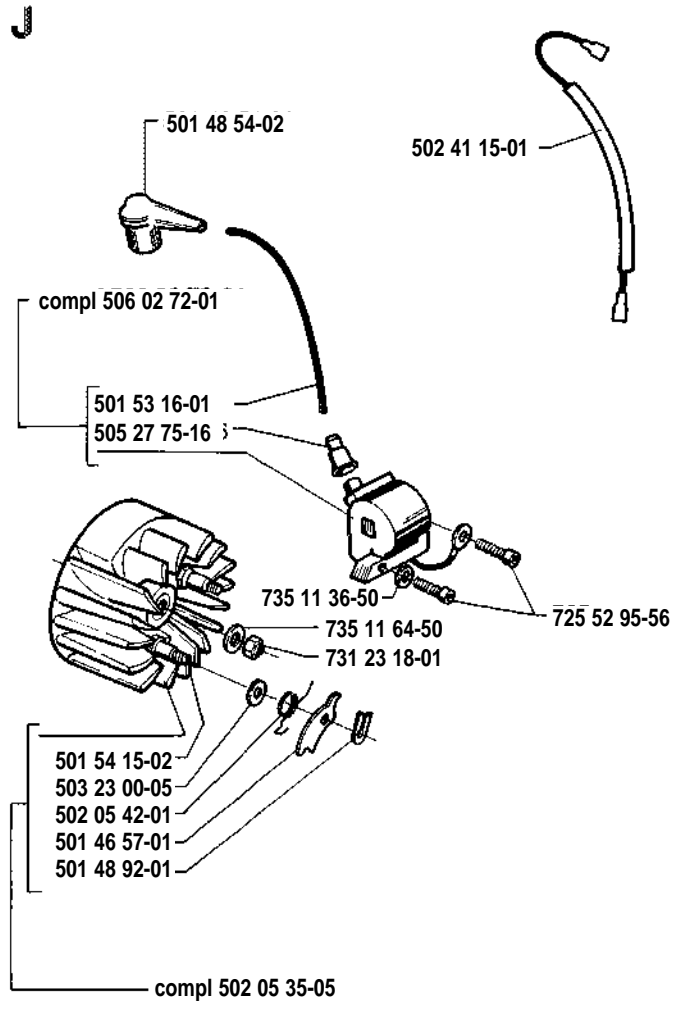
* compl 502 41 20-01

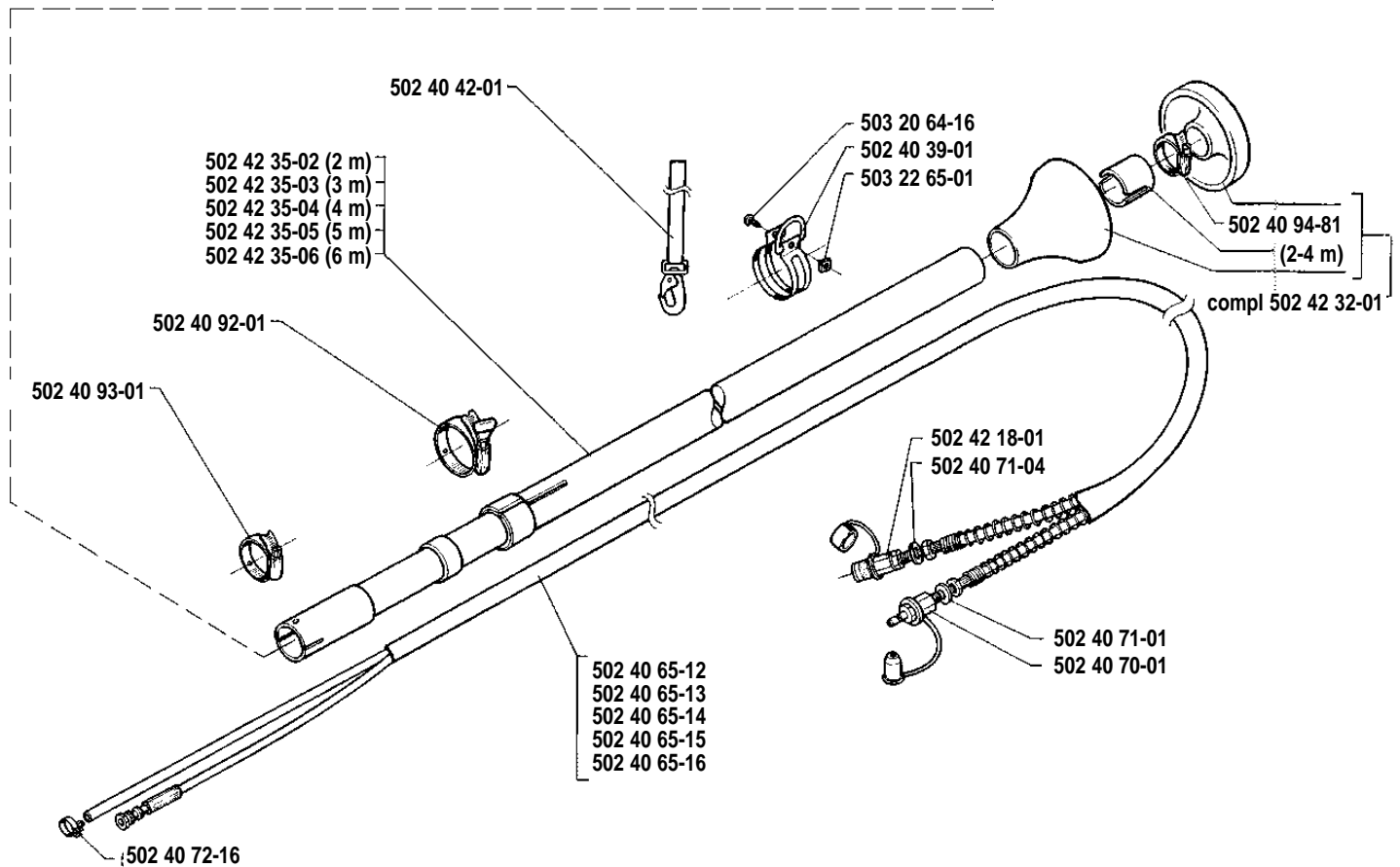
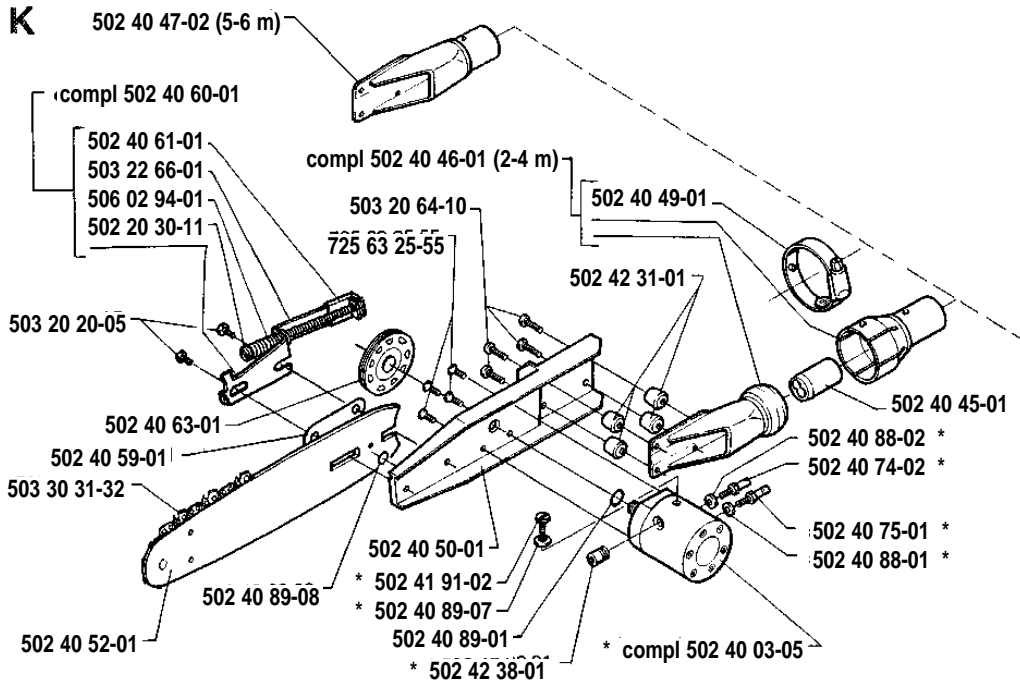


O

**Accessories
 Zubehöre
 Accessoires
 Accesorios
 Tillbehör**

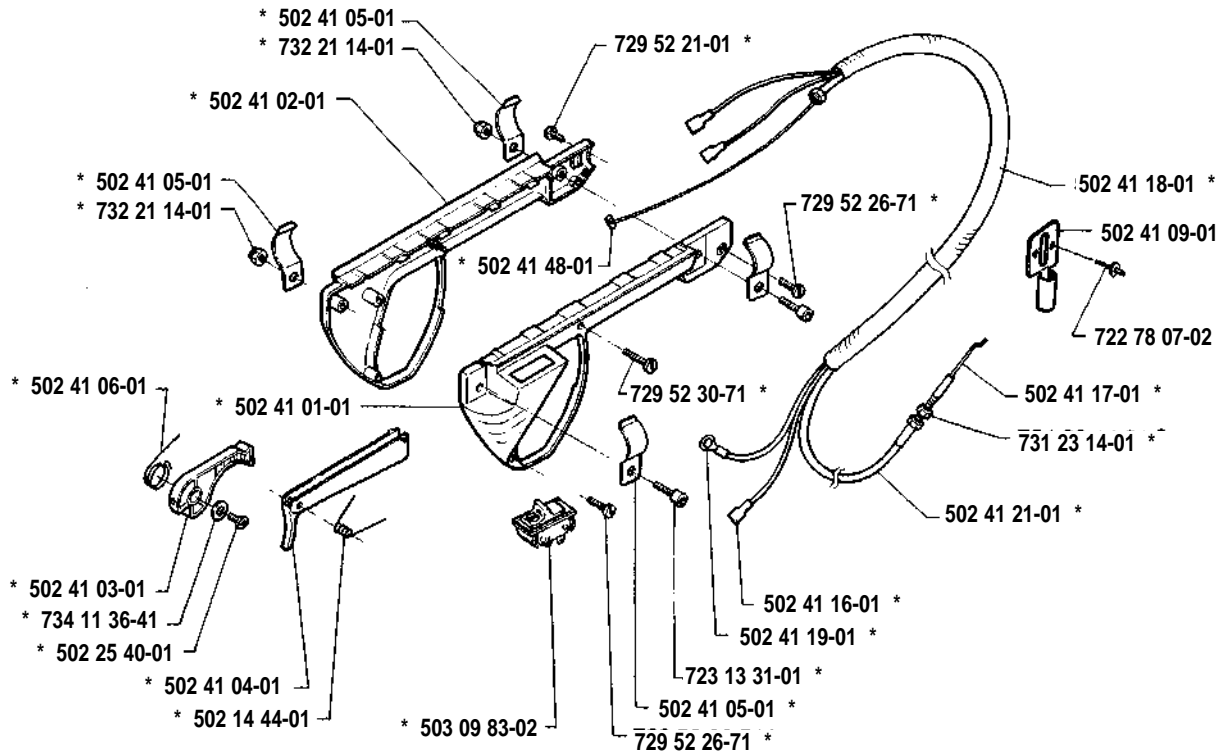






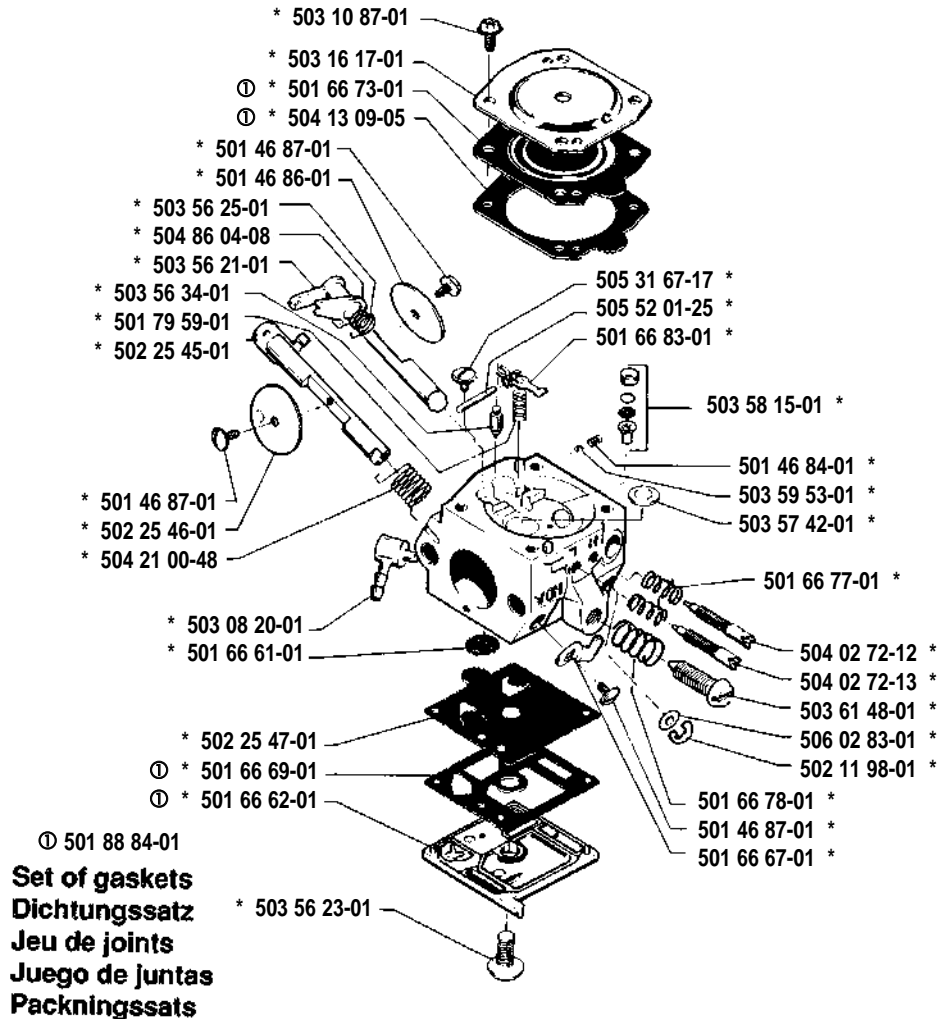


* compl 502 41 00-01



* compl 503 28 10-16

Walbro HDA-86 A



P

Delivery as spare part only
Nur als Ersatzteil lieferbar
Livvable seulement comme pièce de rechange
Solo como repuesto
Levereras endast som reservdel

