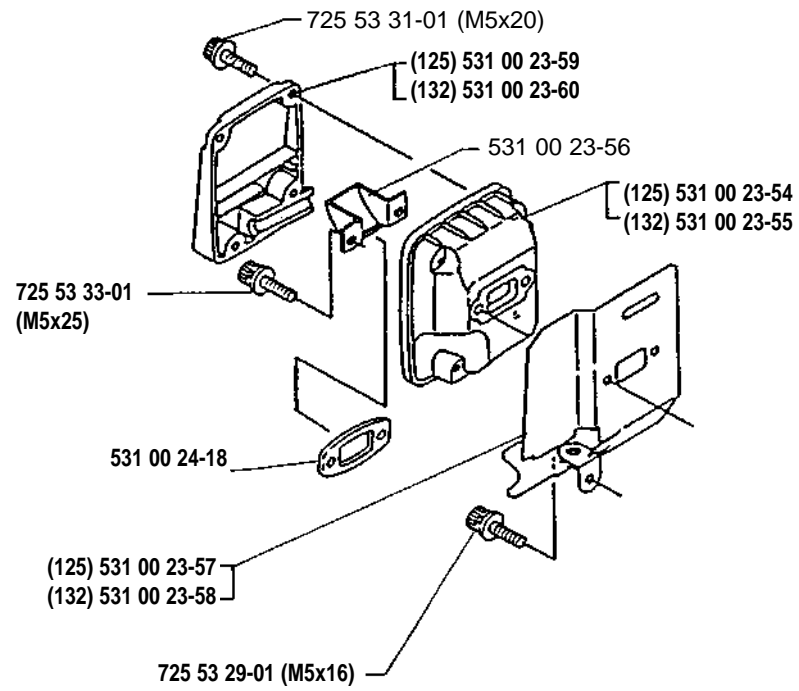
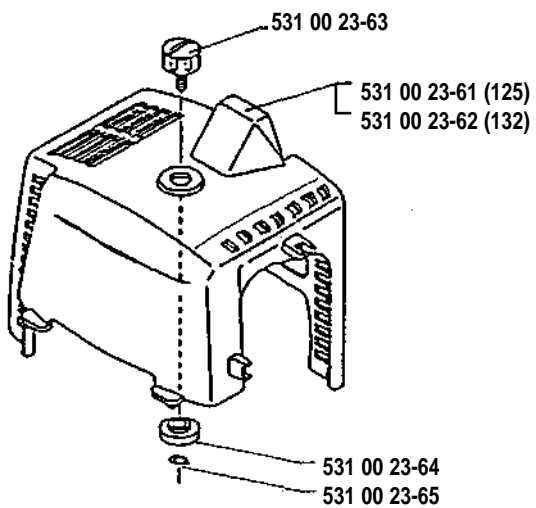


PARTNUMBER	SQUARE	NOTE	PARTNUMBER	SQUARE	NOTE	PARTNUMBER	SQUARE	NOTE	PARTNUMBER	SQUARE	NOTE
501 31 40-01	P		531 00 23-82	F		531 00 24-56	D				
501 69 17-01	P		531 00 23-83	C		531 00 24-57	D				
501 95 49-01	P		531 00 23-84	C		531 00 24-58	J				
502 02 61-01	P		531 00 23-85	F		531 00 24-59	J				
502 04 55-01	O		531 00 23-86	F		531 00 24-60	J				
502 14 65-01	N		531 00 23-88	K		531 00 24-62	J				
502 14 69-01	O		531 00 23-89	K		531 00 24-63	J				
502 14 71-01	O		531 00 23-90	K		531 00 24-64	J				
502 14 74-01	O		531 00 23-91	K		531 00 24-65	J				
502 16 21-01	O		531 00 23-92	K		531 00 24-71	L				
502 18 08-01	O		531 00 23-93	H		531 00 24-72	L				
502 18 09-01	O		531 00 23-94	E		531 00 24-73	J				
502 18 10-01	O		531 00 23-95	E		531 00 24-74	J				
502 18 14-01	N		531 00 23-96	E		531 00 24-75	L				
502 18 18-01	N		531 00 23-97	E		531 00 24-76	L				
502 18 19-01	N		531 00 23-98	E		531 00 24-77	L				
502 18 88-01	N		531 00 23-99	E		531 00 24-78	L				
502 19 18-01	O		531 00 24-01	E		531 00 24-79	K				
502 19 19-01	O		531 00 24-02	F		531 00 24-80	K				
503 20 00-03	O		531 00 24-03	E		531 00 24-81	K				
503 21 83-22	N		531 00 24-04	E		531 00 24-82	K				
503 21 83-41	O		531 00 24-05	E		531 00 24-83	K				
531 00 22-14	L		531 00 24-07	G		531 00 24-84	K				
531 00 22-15	L		531 00 24-08	G		531 00 24-85	K				
531 00 22-16	L		531 00 24-09	G		531 00 24-86	K				
531 00 22-18	L		531 00 24-10	G		531 00 24-87	K				
531 00 22-20	L		531 00 24-11	G		531 00 24-88	K				
531 00 22-21	L		531 00 24-12	G		531 00 24-89	K				
531 00 22-22	L		531 00 24-13	G		531 00 24-90	N				
531 00 22-28	K		531 00 24-14	G		531 00 24-91	N				
531 00 22-32	K		531 00 24-15	G		531 00 24-92	N				
531 00 22-35	K		531 00 24-16	G		531 00 24-93	J				
531 00 22-36	K		531 00 24-17	G		531 00 40-08	P				
531 00 22-42	K		531 00 24-18	A		724 13 27-01	J				
531 00 23-46	C		531 00 24-19	M		725 23 25-71	L				
531 00 23-47	C		531 00 24-20	M		725 23 27-71	L				
531 00 23-48	C		531 00 24-21	M		725 23 33-51	O				
531 00 23-49	C		531 00 24-22	M		725 52 93-01	J				
531 00 23-50	D		531 00 24-23	M		725 52 97-01	E				
531 00 23-51	D		531 00 24-24	M		725 53 29-01	A,J				
531 00 23-52	D		531 00 24-25	M		725 53 31-01	A,C,H				
531 00 23-53	C,D		531 00 24-26	M		725 53 33-01	A,D				
531 00 23-54	A		531 00 24-27	M		725 53 35-01	H				
531 00 23-55	A		531 00 24-28	M		725 53 39-01	H				
531 00 23-56	A		531 00 24-29	M		725 53 41-01	D				
531 00 23-57	A		531 00 24-30	M		731 23 14-05	N				
531 00 23-58	A		531 00 24-31	M		731 71 14-51	L				
531 00 23-59	A		531 00 24-32	M		734 11 52-71	L				
531 00 23-60	A		531 00 24-33	M		734 41 52-71	L				
531 00 23-61	B		531 00 24-34	M		735 11 46-01	L				
531 00 23-62	B		531 00 24-35	M		735 11 53-50	O				
531 00 23-63	B,D		531 00 24-36	M		735 31 11-41	O				
531 00 23-64	B		531 00 24-37	M		735 31 25-10	O				
531 00 23-65	B,D		531 00 24-38	M		735 31 31-10	O				
531 00 23-66	H		531 00 24-39	M		738 21 02-04	O				
531 00 23-67	H		531 00 24-40	M		738 21 98-00	O				
531 00 23-68	F		531 00 24-41	M		738 21 99-00	O				
531 00 23-69	F		531 00 24-42	M		738 21 99-01	O				
531 00 23-70	H		531 00 24-43	M		762 91 02-05	K				
531 00 23-71	H		531 00 24-44	M							
531 00 23-72	H		531 00 24-45	M							
531 00 23-73	H		531 00 24-46	M							
531 00 23-74	H		531 00 24-47	M							
531 00 23-75	C		531 00 24-48	M							
531 00 23-76	C		531 00 24-49	M							
531 00 23-77	C		531 00 24-50	M							
531 00 23-78	C		531 00 24-51	M							
531 00 23-79	C		531 00 24-52	M							
531 00 23-80	C		531 00 24-53	D							
531 00 23-81	F		531 00 24-54	D							

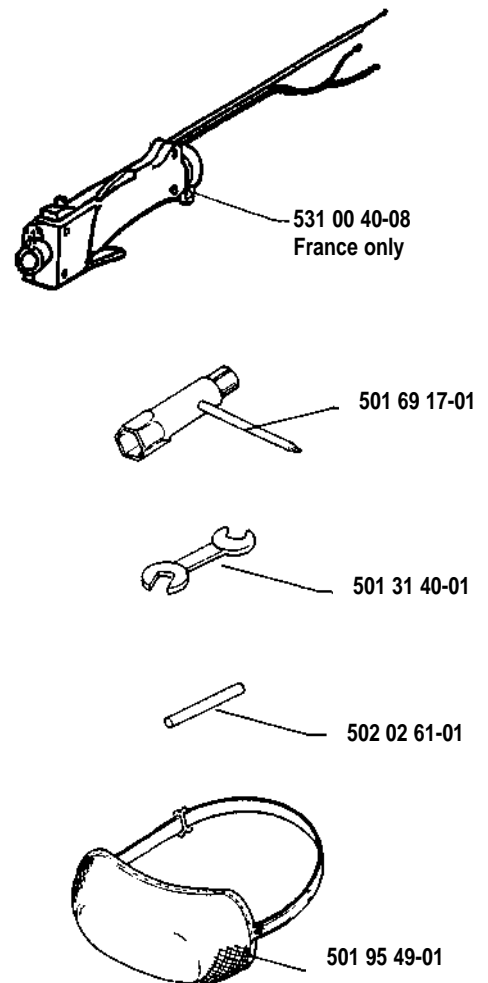
A



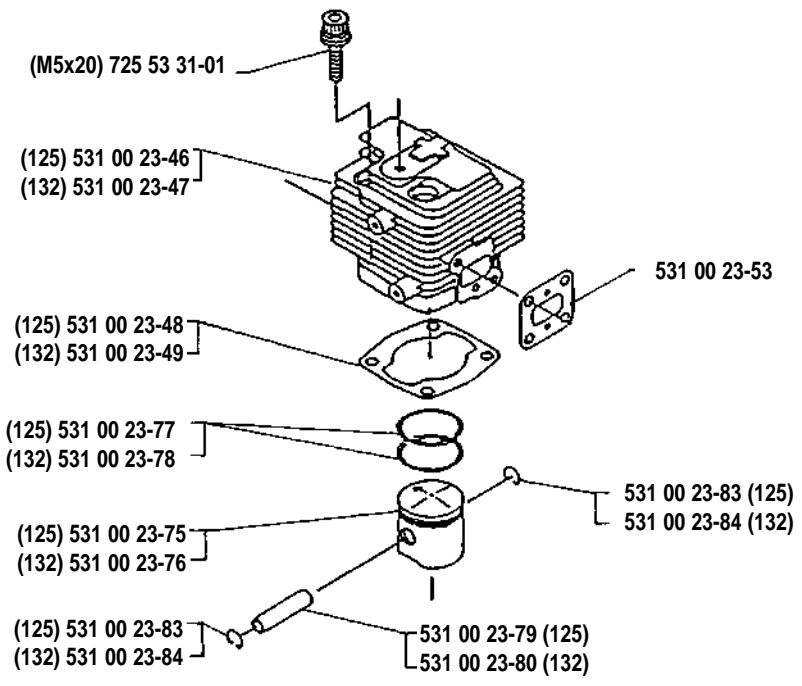
B



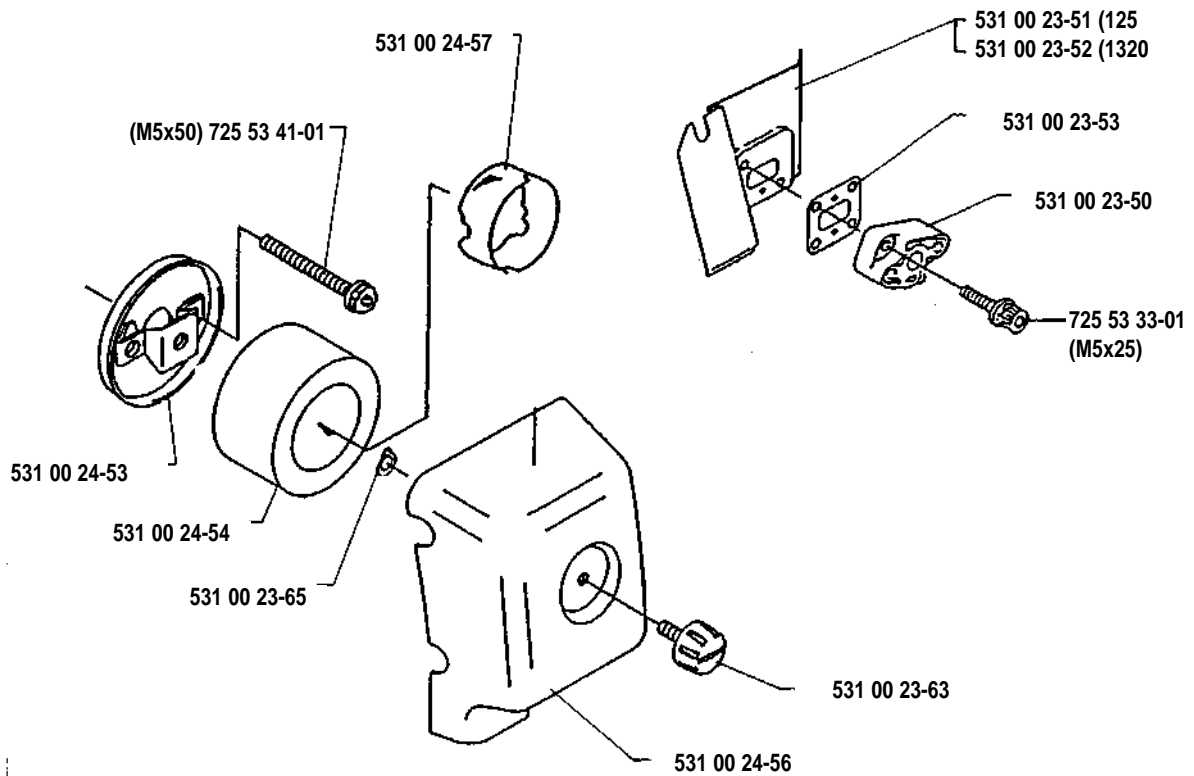
P

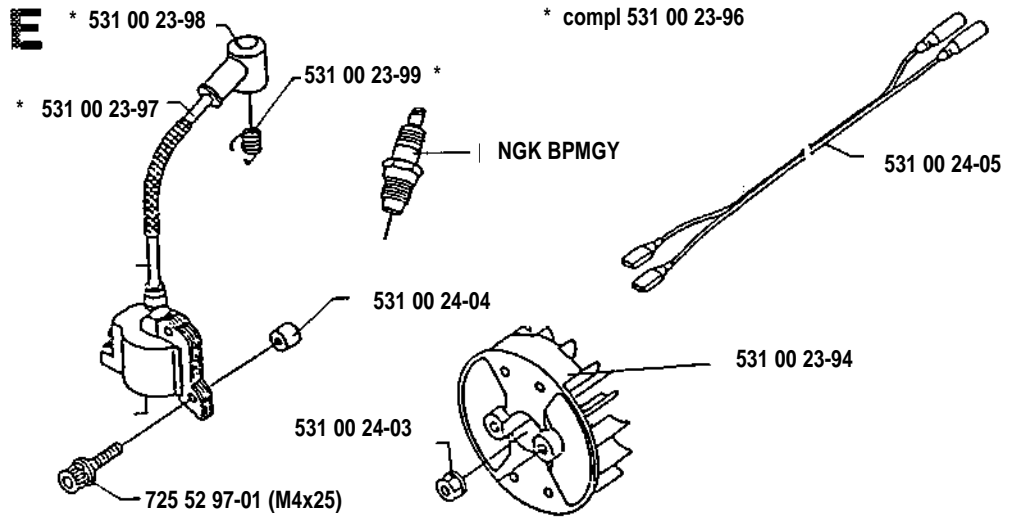


C

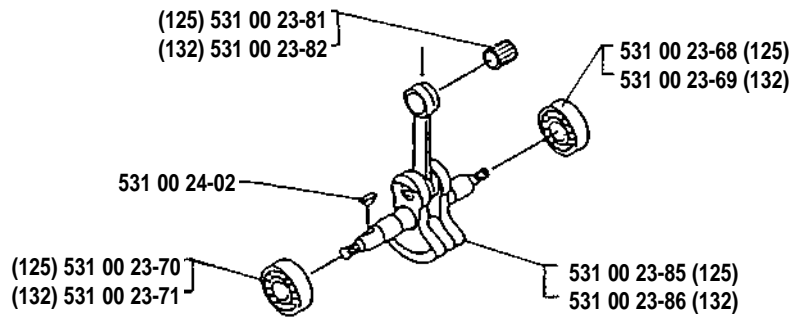


D

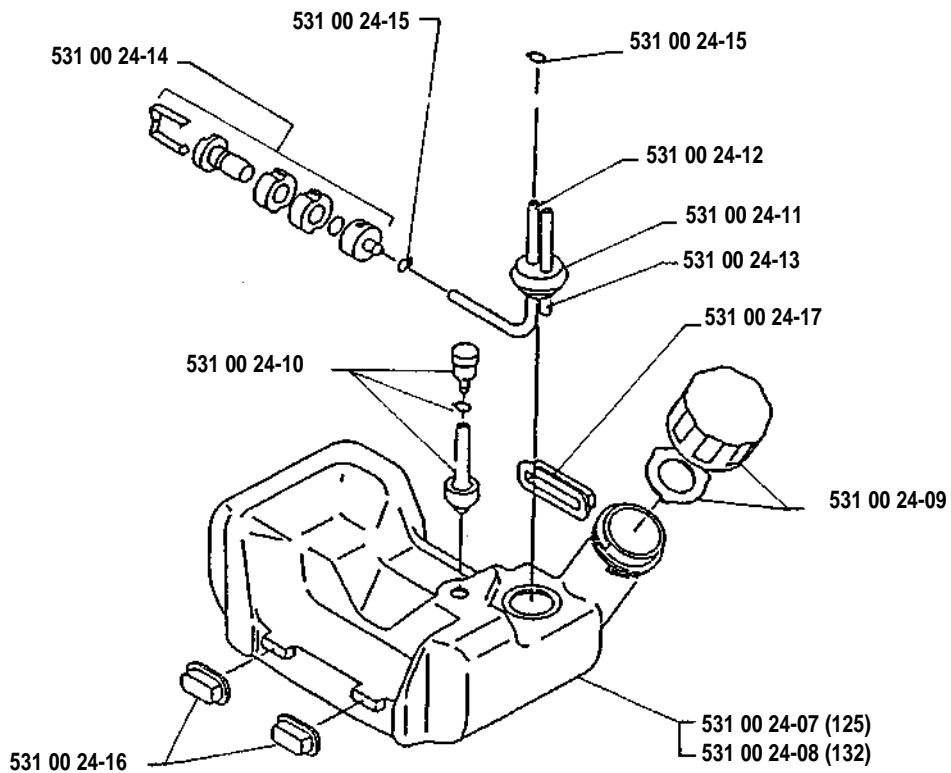




F



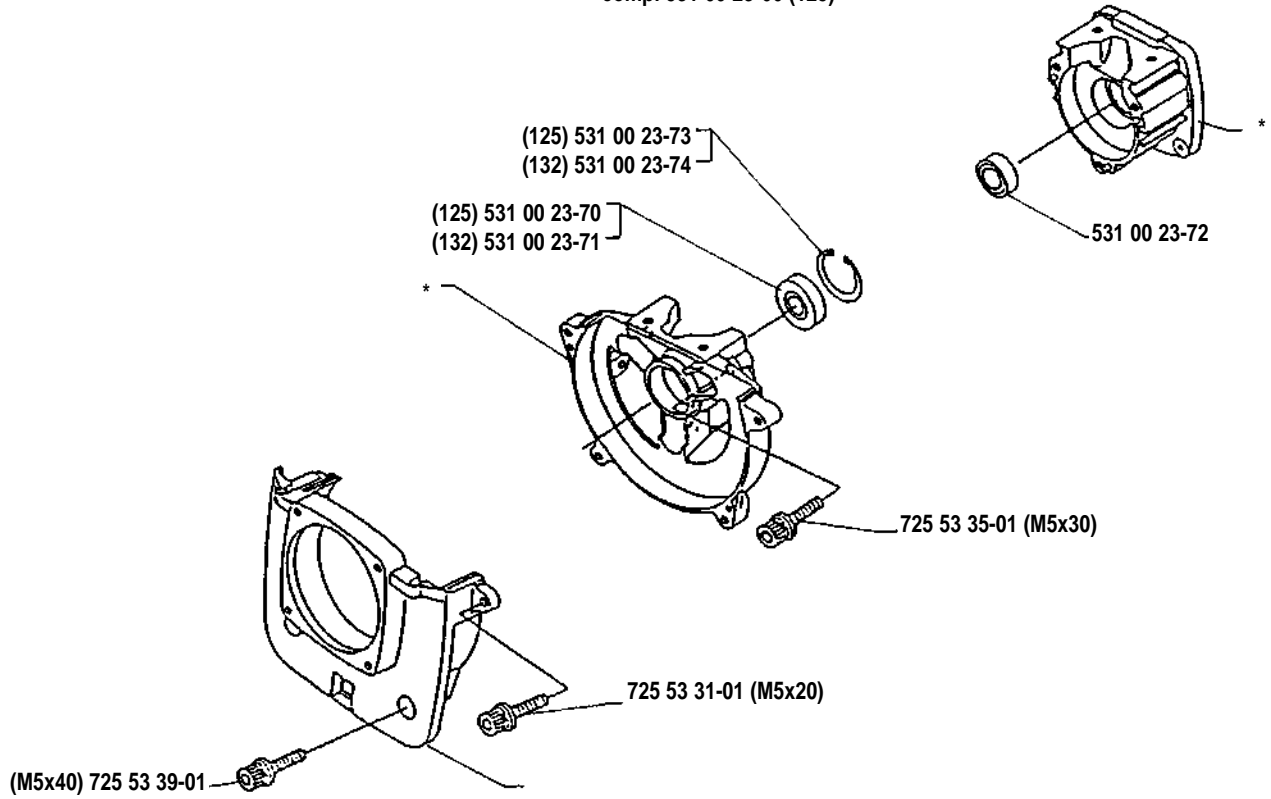
G



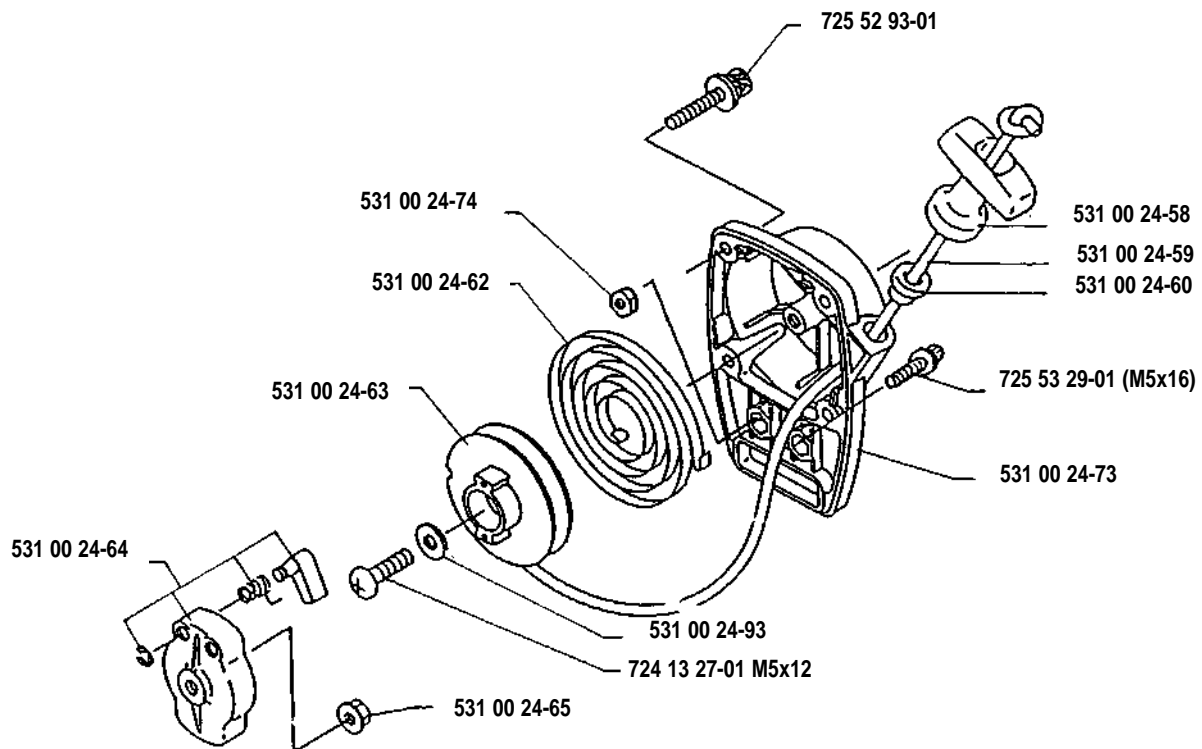
H

* compl 531 00 23-67 (132)

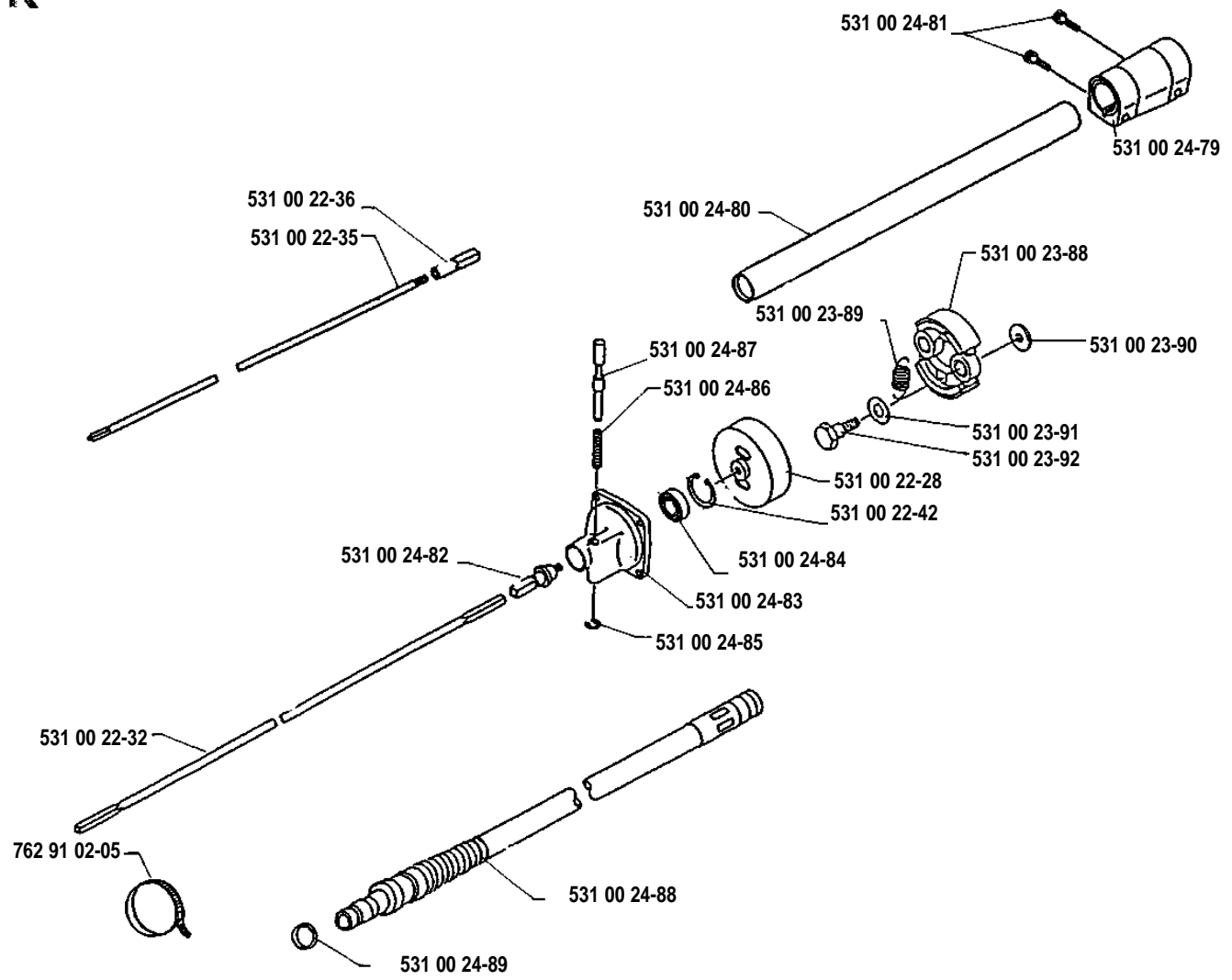
* compl 531 00 23-66 (125)



J

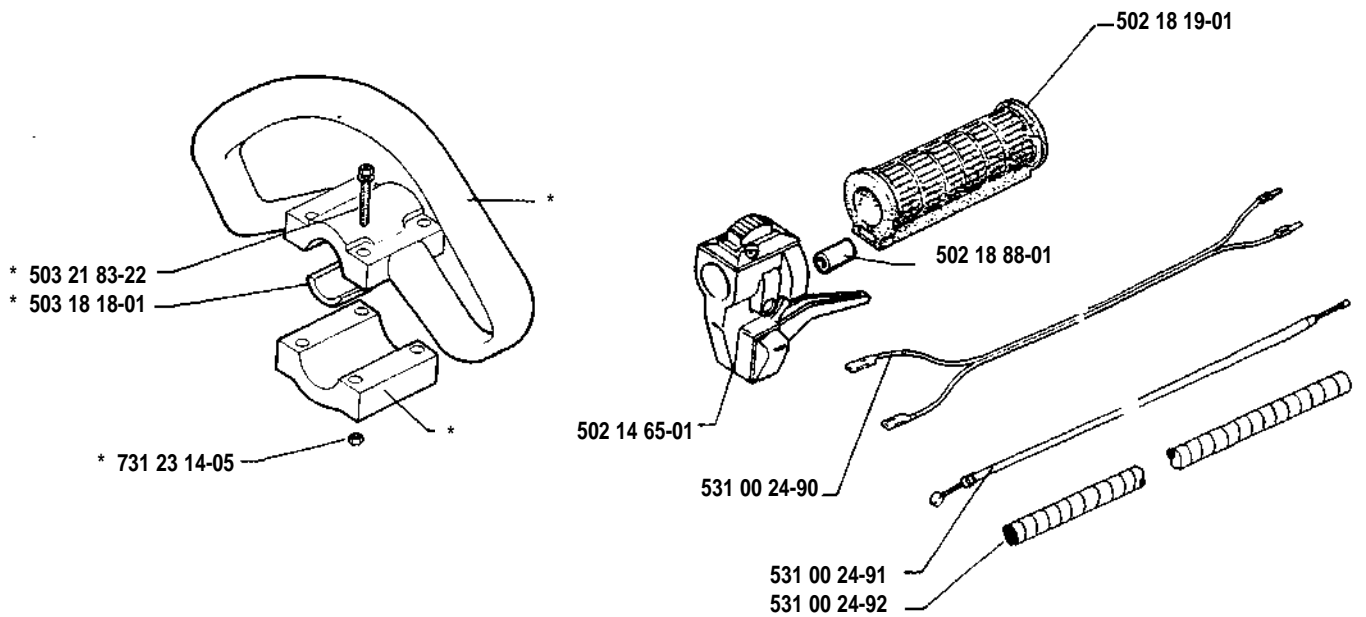


K

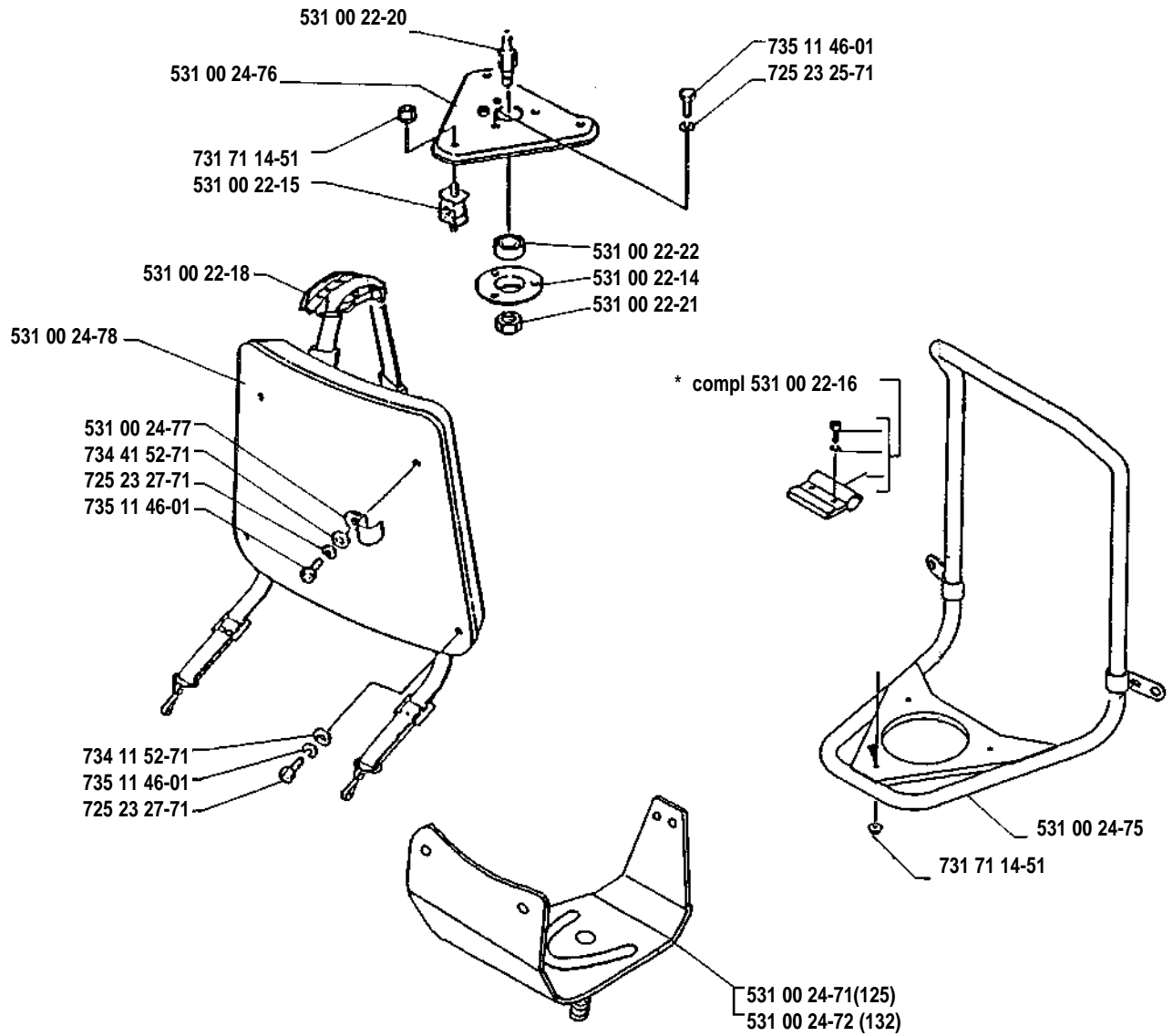


N

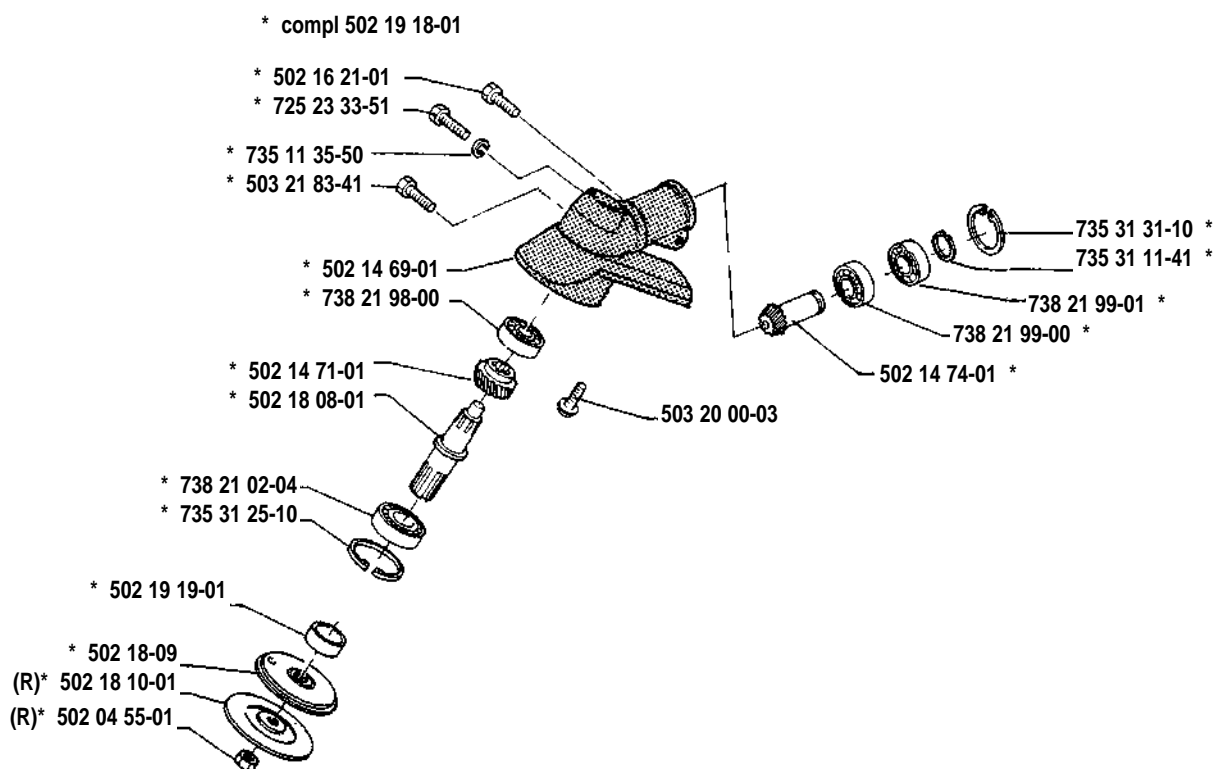
* compl 502 18 14-01



L



O



M

