

For Husqvarna Parts Call 606-678-9623 or 606-561-4983

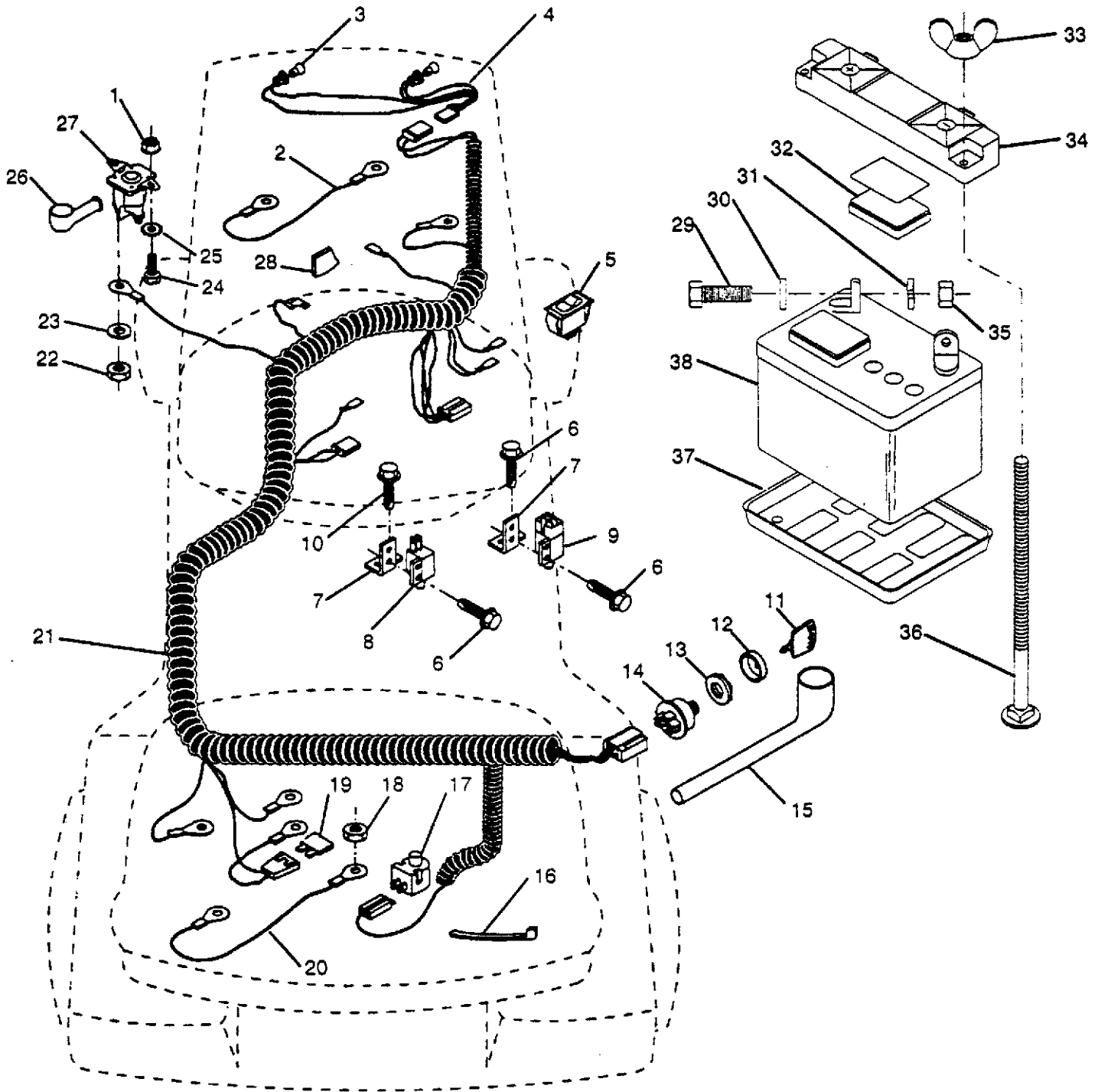
**ILLUSTRATED PARTS BREAKDOWN**

**12.0 HP LAWN TRACTOR  
MODEL NO. LT112 (H1236A)  
954 00 01-91**

127400 11.7.90

# ILLUSTRATED PARTS BREAKDOWN

## ELECTRICAL



# ILLUSTRATED PARTS BREAKDOWN

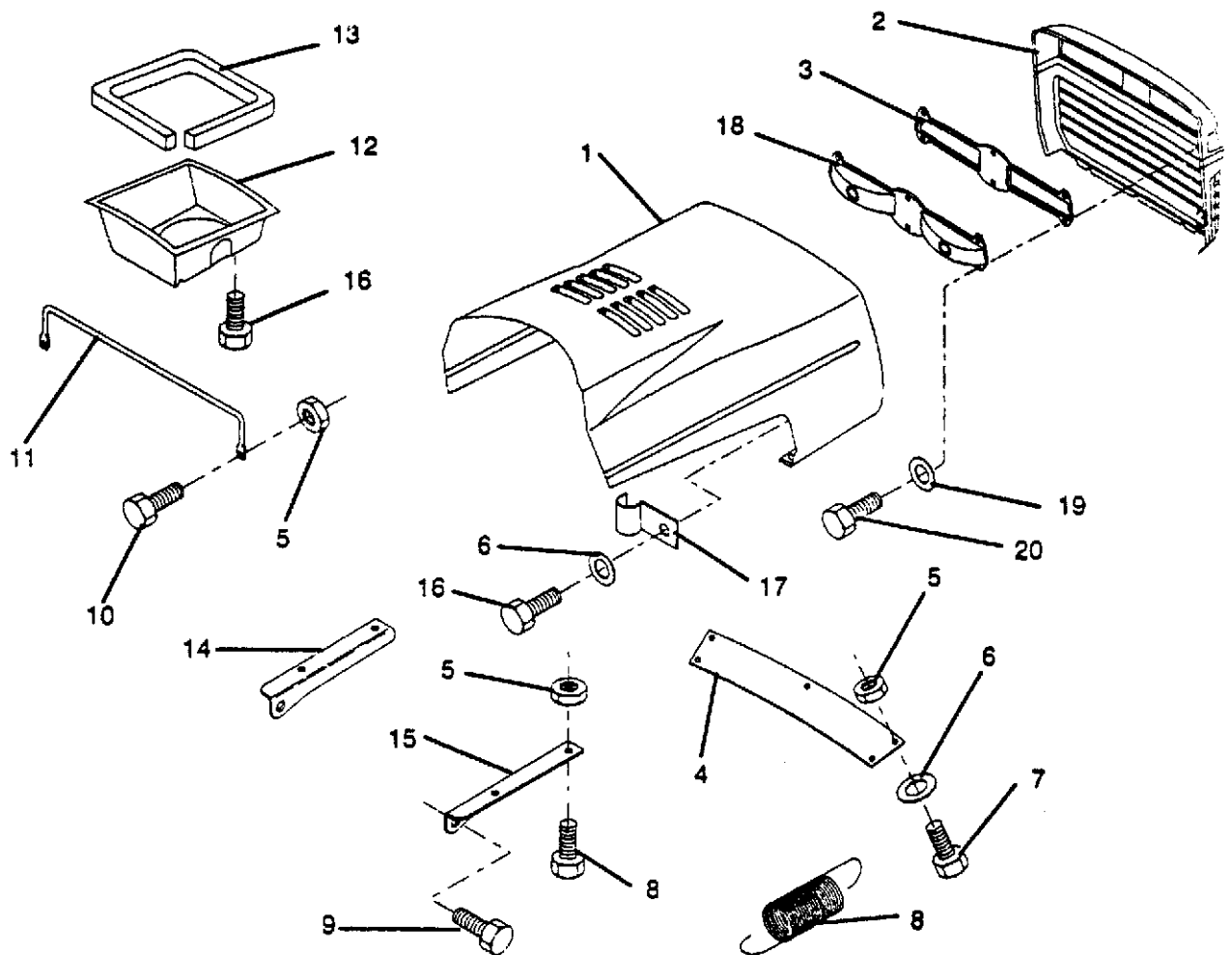
## ELECTRICAL

KEY NO.	PART NO.	DESCRIPTION	KEY NO.	PART NO.	DESCRIPTION
1	873510400	Nut, Hex Keps 1/4-20	26	532124783	Cover, Terminal
2	532105002	Assembly, Cable	27	532109081	Solenoid
3	532124893	Bulb, Light	28	532125760	Stop, Choke
4	532127441	Harness, Light Socket	29	874760412	Bolt, Hex 1/4-20 UNC x 3/4
5	532110712	Switch, Light	30	819091016	Washer 9/32 x 5/8 x 16 Ga.
6	817021008	Screw, Tap Hex #10-24 x 1/2	31	810040400	Washer, Lock Hvy. Helical Spring 1/4
7	532108236	Bracket, Switch	32	532121264	Cap, Battery
8	532104445	Switch, Interlock (Clutch/Brake)	33	532123198	Nut, Wing, Plastic, Locking 1/4-20
9	532109553	Switch, Interlock (Attachment)	34	532102476	Guard, Terminal
10	817211008	Screw, Hex Wsh. Tap #10-16 x 1/2	35	873220400	Nut, Fin. Hex 1/4-20 UNC
11	532122147	Key, Molded	36	872240460	Bolt, Carriage 1/4-20 UNC x 7-1/2
12	532123620	Cover, Key Ignition	37	532124886	Tray, Battery
13	532124211	Nut, Ignition	38	532121265	Battery
14	532125104	Switch, Ignition	-	MS-9250	Briggs & Stratton, Operating and Maintenance Manual
15	532124083	Cover, Ignition Switch	-	532101539	Sheet, Instruction 15° Slope (English)
16	532124756	Tie, Cable	-	532127400	Manual, Parts (English)
17	532121305	Switch, Plunger	-	532121549	Decal, Battery, Caution (French/German)
18	873510500	Nut Keps 5/16-18	-	532127401	Manual, Parts (French)
19	532108824	Fuse	-	532101572	Sheet, Instruction 15° Slope (French)
20	532000596	Assembly, Cable	-	532127195	Manual, Operator's (English)
21	532124190	Harness, Ignition	-	532127394	Manual, Operator's (French)
22	873350400	Nut, Hex Jam 1/4-20			
23	810090400	Washer, Lock 1/4			
24	874780408	Bolt, Fin. Hex 1/4-20 UNC x 1/2 Gr.5			
25	811050400	Washer, Lock Ext. Tooth 1/4			

HARDWARE SHOWN LARGER FOR EASIER IDENTIFICATION

# ILLUSTRATED PARTS BREAKDOWN

## HOOD

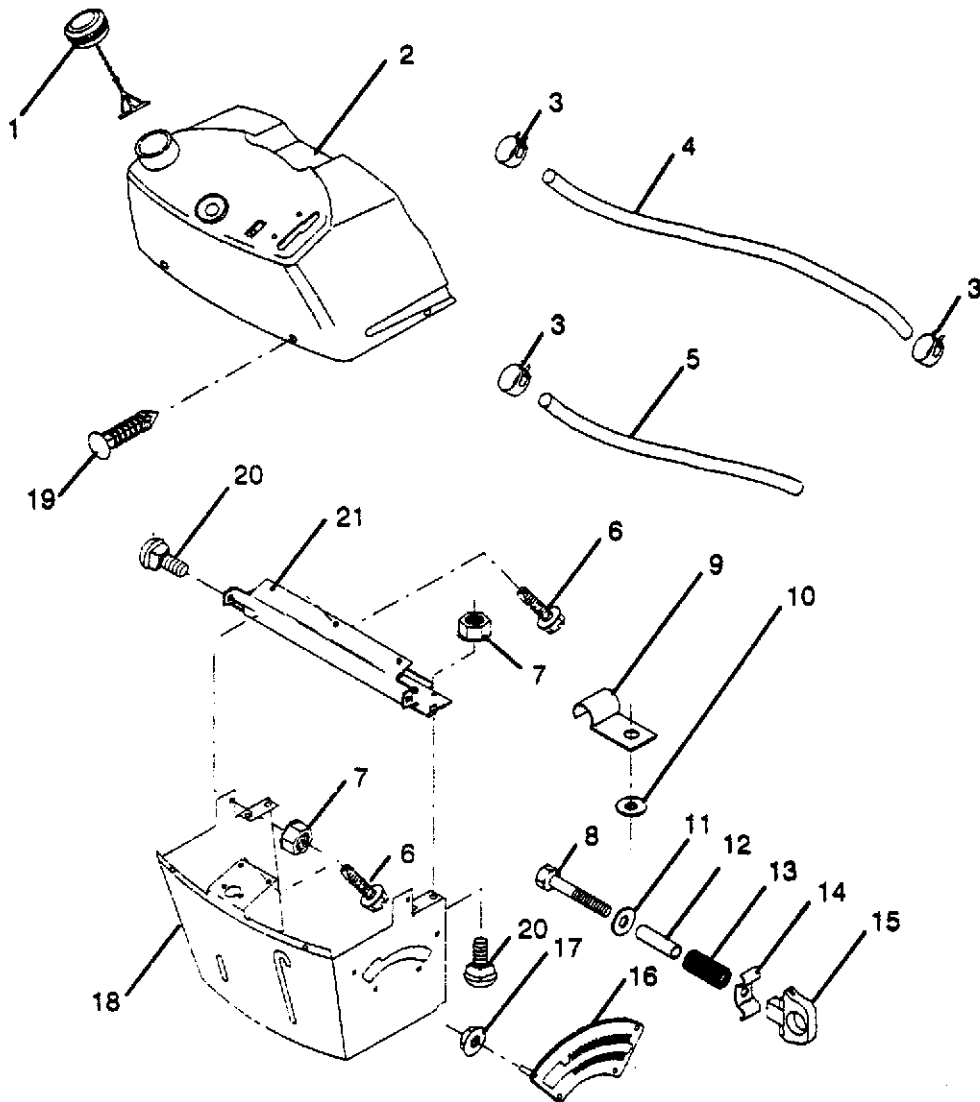


KEY NO.	PART NO.	DESCRIPTION	KEY NO.	PART NO.	DESCRIPTION
1	532124968	Hood	13	532120537	Strip, Foam
2	532125088	Grill	14	532122548	Bracket, Hood, L.H.
3	532127888	Lens	15	532122549	Bracket, Hood, R.H.
4	532124969	Strap, Grill	16	817411310	Screw, Fin. Hex #13-16 Hi-Lo x 5/8
5	873510400	Nut, Hex Keps 1/4-20 UNC	17	532124996	Clip, Fuel Line
6	819091016	Washer 9/32 x 5/8 x 16 Ga.	18	532127177	Light Box
7	874780410	Bolt, Hex Fin. 1/4 - 20 UNC x 5/8 Gr. 5	19	19091016	Washer
8	532124657	Spring, Extension	20	532124346	Nut, Self Thd. Wsh. Hd.
9	532126675	Bolt, Thrd. Forming Shoulder	-	532127409	Decal Stripe (Hood L.H.)
10	874780412	Bolt, Hex Fin. 14-20 x 3/4 Gr. 5	-	532127410	Decal Stripe (Hood R.H.)
11	532123693	Brace, Hood	-	532127480	Decal (Side Panel)
12	532123840	Duct, Air	-	532127420	Decal (Grill Logo)

HARDWARE SHOWN LARGER FOR EASIER IDENTIFICATION

For Husqvarna Parts Call 606-678-9623 or 606-561-4983  
**ILLUSTRATED PARTS BREAKDOWN**

**DASH**

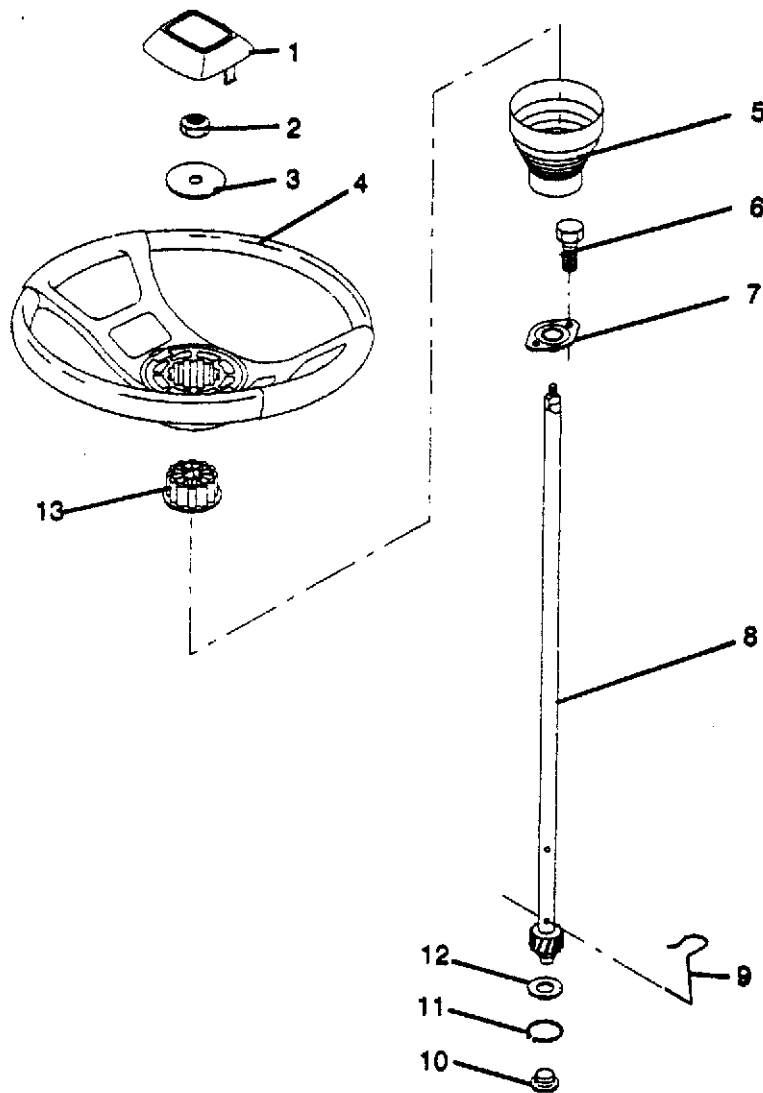


KEY NO.	PART NO.	DESCRIPTION	KEY NO.	PART NO.	DESCRIPTION
1	532127399	Cap, Fuel	12	532123494	Spacer, Split
2	532127390	Assembly, Dash & Fuel Tank	13	532124874	Spring
3	532123487	Clamp, Hose	14	532123493	Clip, Height Adjustment
4	532008548	Line, Fuel	15	532126115	Knob, Height Stop
5	532008544	Line, Fuel	16	532122023	Adjustment, Quadrant Height
6	817111312	Screw, Hex Hd. Washer	17	532124346	Nut, Self Thread 3/16-18
7	873510400	Nut, Hex Keps 1/4-20	18	532121789	Support, Dash
8	874760432	Bolt, Fin. Hex 1/4-20 x 2	19	532122017	Snap, Plastic
9	532124996	Clip, Fuel line	20	872110404	Bolt, Carriage 1/4-20 x 1/2 Gr. 5
10	819091216	Washer 9/32 x 3/4 x 16 Ga.	21	532122016	Brace, Cross
11	819111116	Washer 11/32 x 11/16 x 16 Ga.			

HARDWARE SHOWN LARGER FOR EASIER IDENTIFICATION

# ILLUSTRATED PARTS BREAKDOWN

## STEERING WHEEL

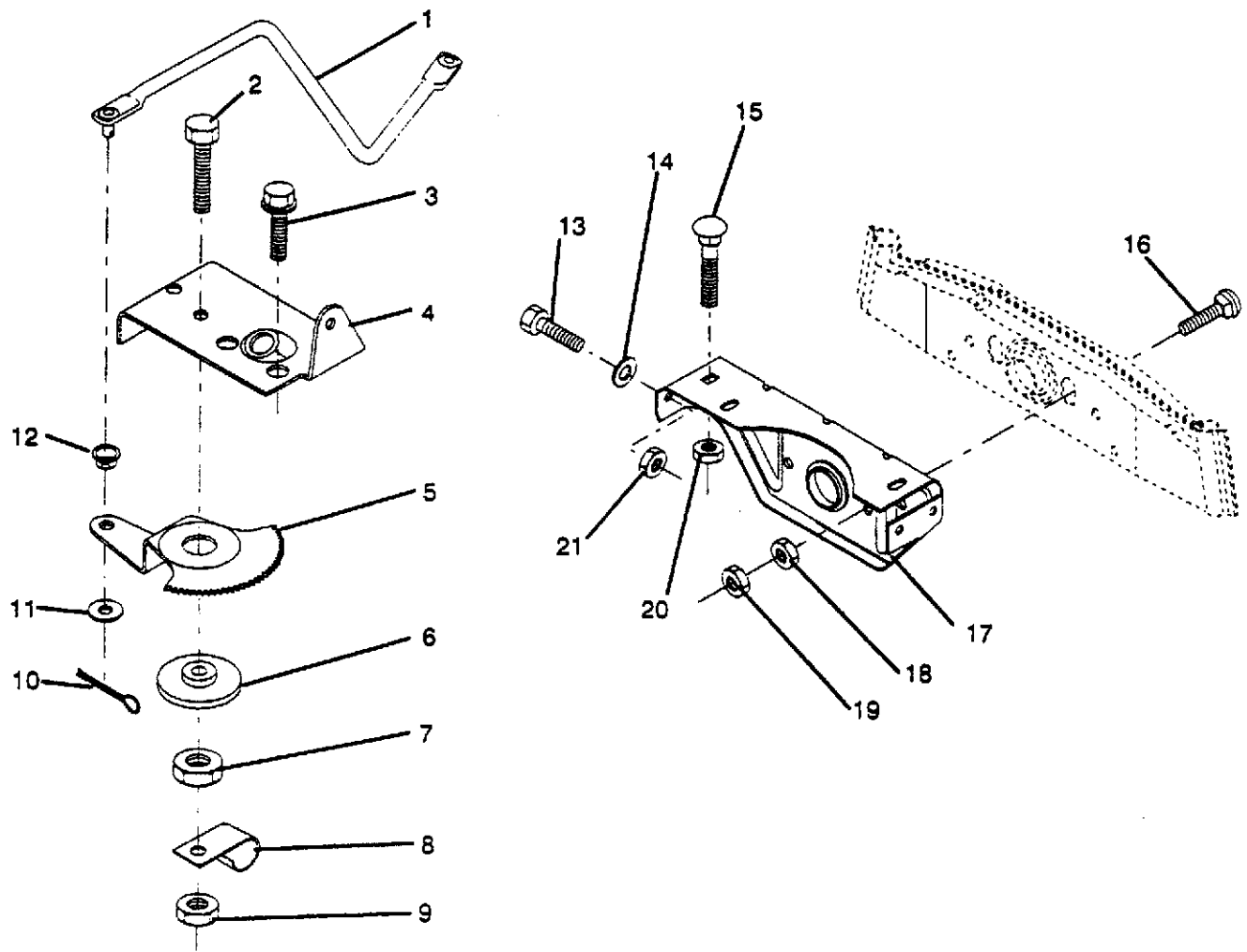


KEY NO.	PART NO.	DESCRIPTION	KEY NO.	PART NO.	DESCRIPTION
1	532124416	Insert, Wheel, Steering	7	532102803	Bushing, Steering
2	532124701	Locknut 3/8-24 UNF	8	532123651	Shaft, Steering
3	819133808	Washer 13/32 x 2-3/8 x 8 Ga.	9	532124210	Clip, Steering
4	532124415	Wheel, Steering	10	532123438	Bushing, Lower, Steering
5	532127396	Sleeve, Steering	11	812000045	Ring, Retaining
6	817431008	Screw, Hex SLFTP #10-16 x 1/2 TY-B	12	819211616	Washer 21/32 x 1 x 16 Ga.
			13	532104820	Adaptor, Wheel, Steering

HARDWARE SHOWN LARGER FOR EASIER IDENTIFICATION

# ILLUSTRATED PARTS BREAKDOWN

## SECTOR GEAR / AXLE SUPPORT



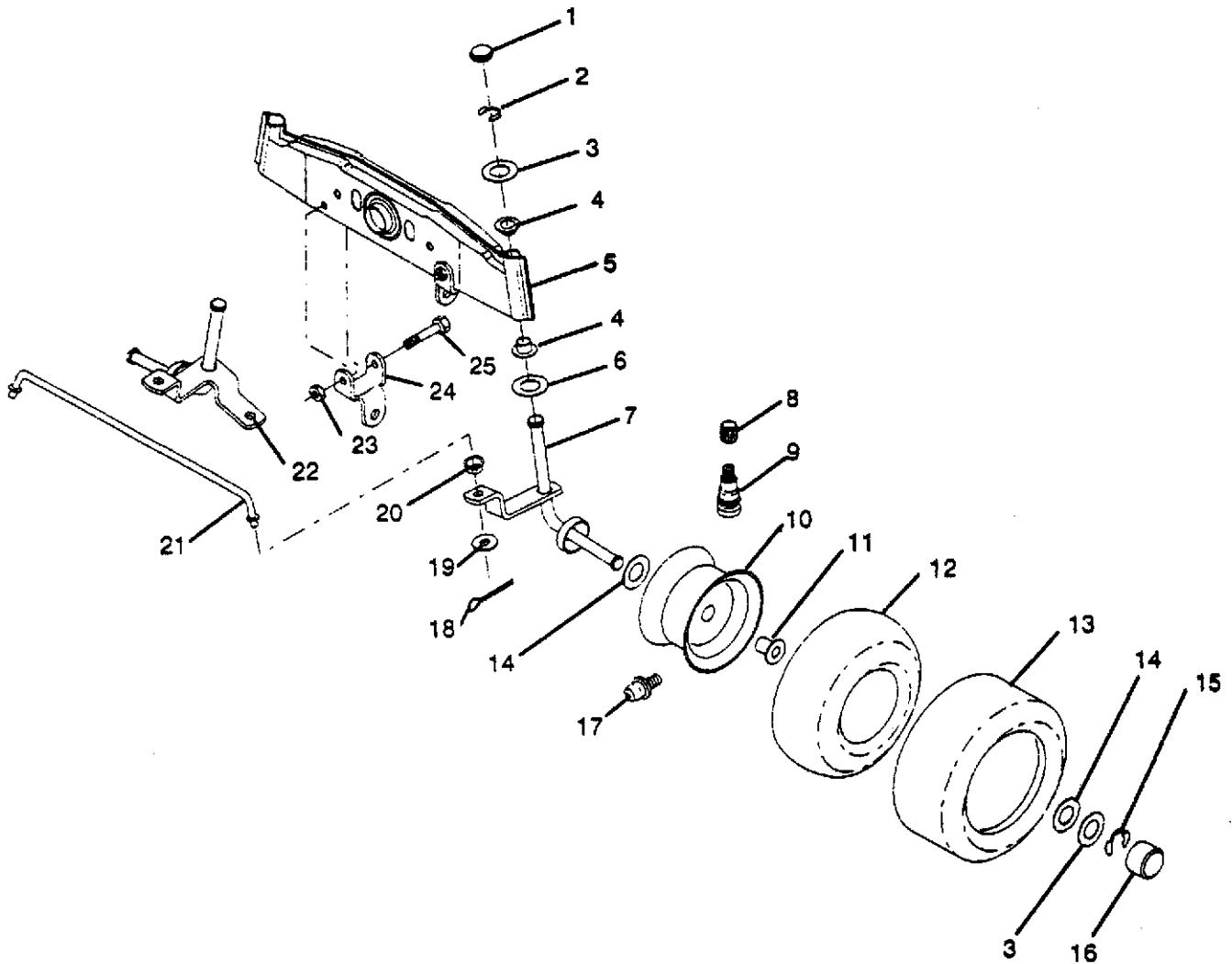
KEY NO.	PART NO.	DESCRIPTION
1	532124093	Link, Drag
2	874780828	Bolt, Fin. Hex 1/2-13 x 1 3/4
3	817490508	Screw Hex Washer Hd. Thrdrol 5/16-18 x 1/2
4	532121925	Plate, Steering Support
5	532121926	Gear, Sector
6	532121927	Bushing
7	873030800	Nut, Heavy Hex Top Lock 1/2-13 UNC
8	532126472	Clip, Insulated
9	873680800	Nut, Crownlock 1/2 x 13 UNC
10	876020412	Pin, Cotter 1/8 x 3/4

KEY NO.	PART NO.	DESCRIPTION
11	819131316	Washer, 13/32 x 13/16 x 16 Ga.
12	532126847	Bushing
13	874760512	Bolt, Hex Hd. 5/16-18 UNC x 3/4
14	819111416	Washer 11/32 x 7/8 x 16 Ga.
15	872110606	Bolt, Carriage 3/8-16 UNC x 3/4
16	872140622	Bolt, Carriage
17	532121912	Support, Front Axle
18	873220600	Nut, Fin. Hex 3/8-16 UNC
19	873930600	Nut, Centerlock 3/8-16 UNC
20	873680600	Nut, Crownlock 3/8-16 UNC
21	873680500	Nut, Crownlock 5/16-18

HARDWARE SHOWN LARGER FOR EASIER IDENTIFICATION

# ILLUSTRATED PARTS BREAKDOWN

## FRONT AXLE



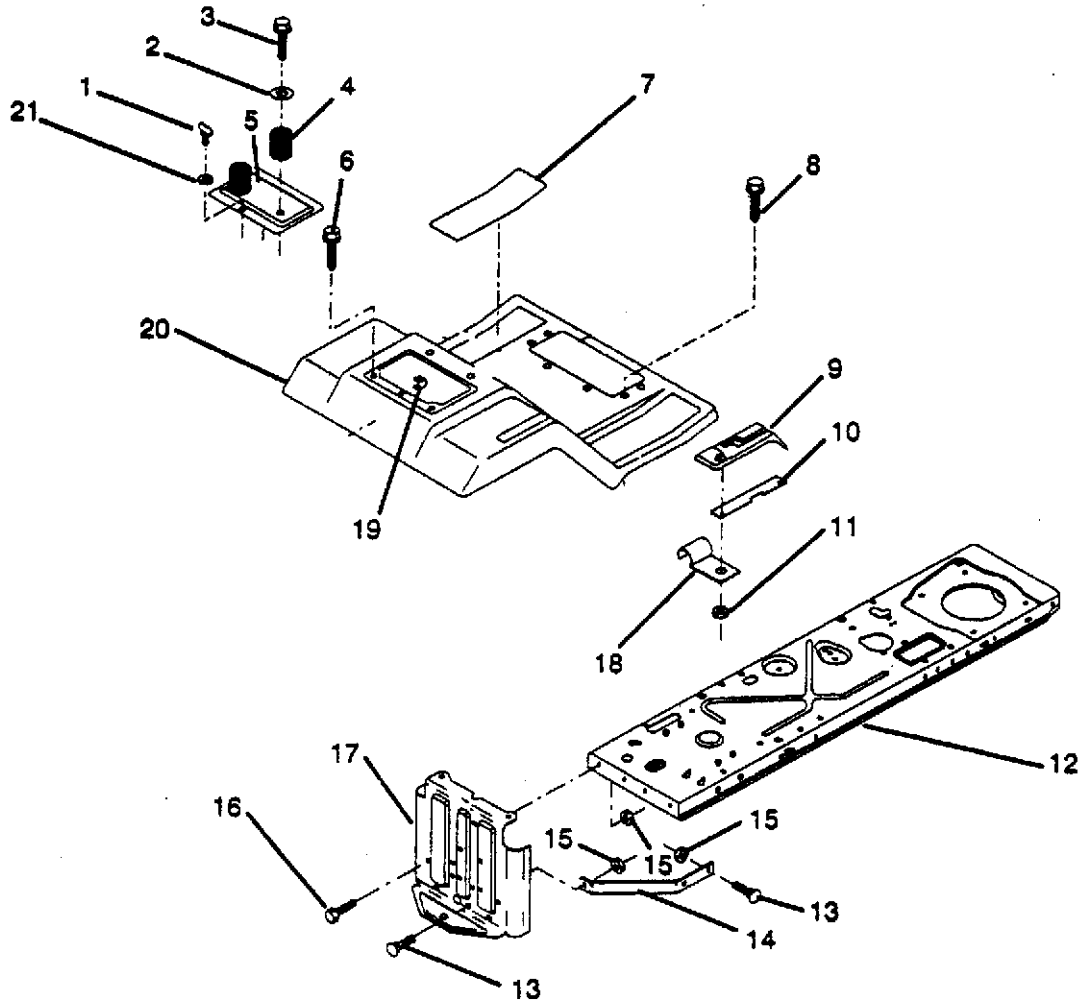
KEY NO.	PART NO.	DESCRIPTION	KEY NO.	PART NO.	DESCRIPTION
1	532121232	Cap, Spindle	14	532121749	Washer 25/32 x 1-1/4 x 16 Ga.
2	812000029	Ring, Clip	15	812000029	Ring, Clip
3	532121748	Washer 25/32 x 1-5/8 x 16 Ga.	16	532104757	Cap, Axle
4	532121922	Nyliner	17	532000278	Fitting, Grease
5	532121914	<b>Axle, Front</b>	18	876020412	Pin, Cotter 1/8 x 3/4
6	532124931	Bearing, Thrust	19	819131316	Washer 13/32 x 13/16 x 16 Ga.
7	532121919	Spindle R.H. Asm.	20	532126847	Bushing
8	532059192	Cap, Valve	21	532121924	Rod, Tie
9	532065139	Stem, Valve	22	532121916	Spindle, L.H. Asm.
10	532124972	Rim	23	873680500	Nut, Crownlock 5/16-18
11	532009040	Bearing, Flange	24	532121915	Bracket, Front Stabilizer Link
12	532059904	Tube	25	874760540	Bolt, Hex, Fin. 5/16 - 18 UNC x 2 - 1/2
13	532123410	Tire, Front			

HARDWARE SHOWN LARGER FOR EASIER IDENTIFICATION



# ILLUSTRATED PARTS BREAKDOWN

## FENDER / CHASSIS

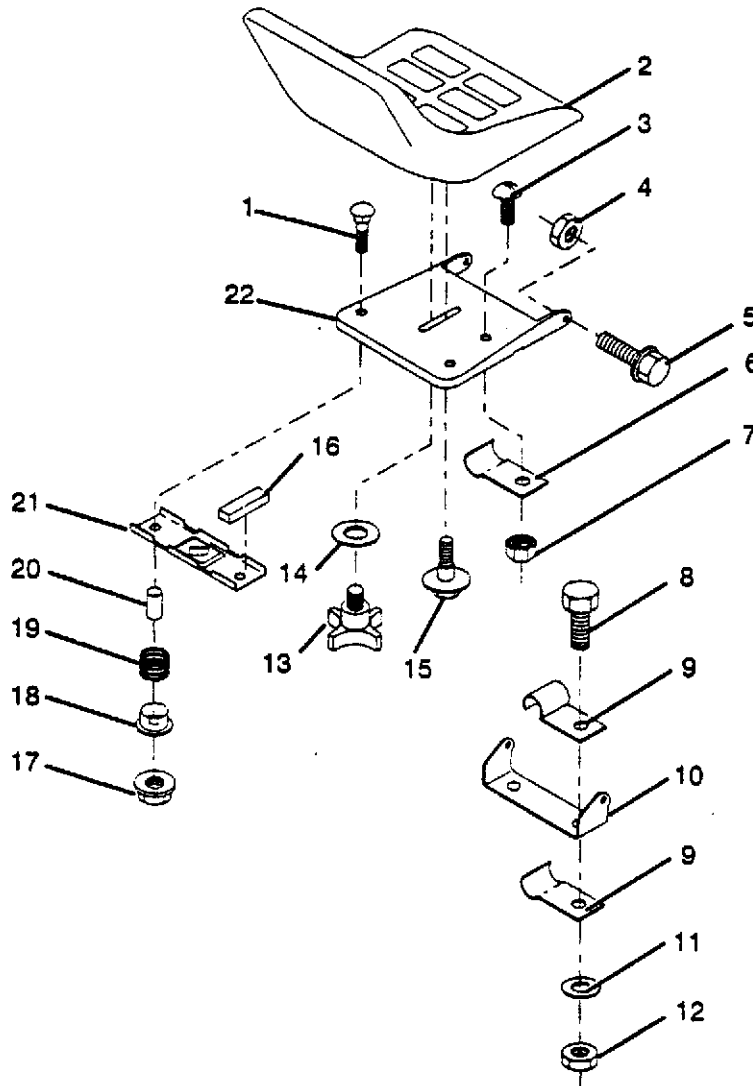


KEY NO.	PART NO.	DESCRIPTION	KEY NO.	PART NO.	DESCRIPTION
1	532123650	Stud 1/4 Turn	14	532123379	Brace, Drawbar
2	819132012	Washer 13/32 x 1- 1/4 x 12 Ga.	15	873680500	Nut, Crownlock 5/16-18
3	817490612	Screw, Hex Wsh. Thrdrol. 3/8-16 x 3/4	16	874760512	Bolt, Hex Hd. 5/16-18 UNC x 3/4
4	532124181	Spring, Compression, Seat	17	532121904	Drawbar
5	532124971	Door, Fender	18	532126470	Clip, Insulated
6	817490508	Screw, Hex Wsh. Thrdrol. 5/16-18 x 1/2	19	532105839	Receptacle, 1/4 Turn
7	532126700	Pad, Footrest	20	532124970	Fender/Footrest
8	817490512	Screw, Hex Wsh. Thrdrol. 5/16-18 x 3/4	21	532105838	Retainer, 1/4 Turn
9	532126995	Console, Shift Control	-	532123408	Decal, Belt Installation (under footrest)
10	532124602	Bar, Shift Lock	-	532126712	Decal, Operating Instructions (between footrest pads)
11	532124346	Nut, Self-Thread Wsh. Hd.	-	532124484	Decal, Logo (rear of fender)
12	532123645	Assembly, Frame	-	532106974	Decal, Caution (front of fender)
13	872140506	Bolt, Carriage 5/16-18 UNC x 3/4			

HARDWARE SHOWN LARGER FOR EASIER IDENTIFICATION

# ILLUSTRATED PARTS BREAKDOWN

## SEAT

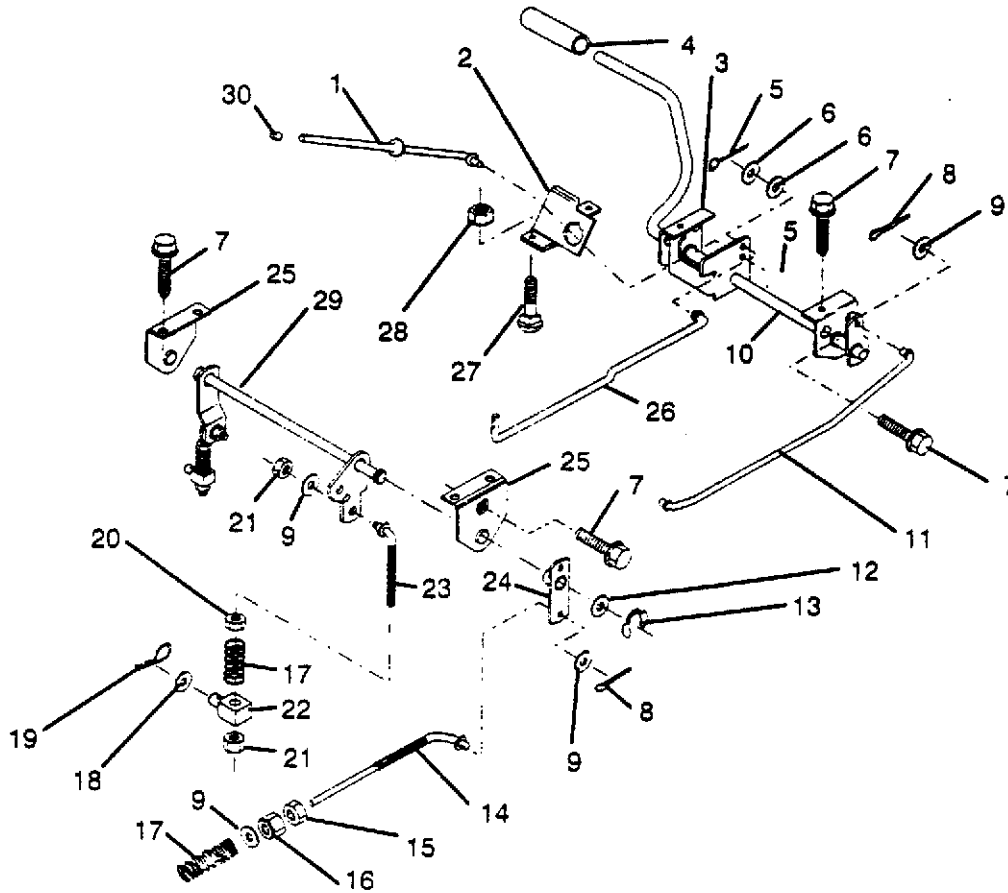


KEY NO.	PART NO.	DESCRIPTION	KEY NO.	PART NO.	DESCRIPTION
1	872170410	Bolt, Carriage 1/4-20 x 1-1/4	12	873680600	Nut, Crownlock 3/8-16 UNC
2	532127398	Seat	13	532120068 ✓	Knob 1/2" Seat
3	874641008	Screw, Slotted Pan Head #10-32 x 1/2	14	819171912	Washer, 17/32 x 1-3/16 x 12 Ga.
4	873680500	Nut, Crownlock 5/16-18	15	532127018	Bolt, Shoulder
5	532105529	Bolt, Shoulder 5/16-18 UNC	16	532121251	Strip, Foam
6	532004171	Clip, Insulated	17	532123976	Nut, Hex Large Flange Lock
7	873951000	Nut, Keps # 10-32 UNF	18	532121248	Bushing, Snap
8	874760612	Bolt, Fin. Hex 3/8-16 UNC x 3/4	19	532121250	Spring, Compression
9	532126471	Clip, Insulated	20	532121249	Spacer, Split 28 Id. x .88 Lg.
10	532126656	Bracket, Pivot Seat	21	532121246	Bracket, Switch, Mounting
11	819131210	Washer 13/32 x 3/4 x 10 Ga.	22	532124294	Pan, Seat

HARDWARE SHOWN LARGER FOR EASIER IDENTIFICATION

For Husqvarna Parts Call 606-678-9623 or 606-561-4983  
**ILLUSTRATED PARTS BREAKDOWN**

**BRAKE / REAR MOWER LIFT ASSEMBLY**

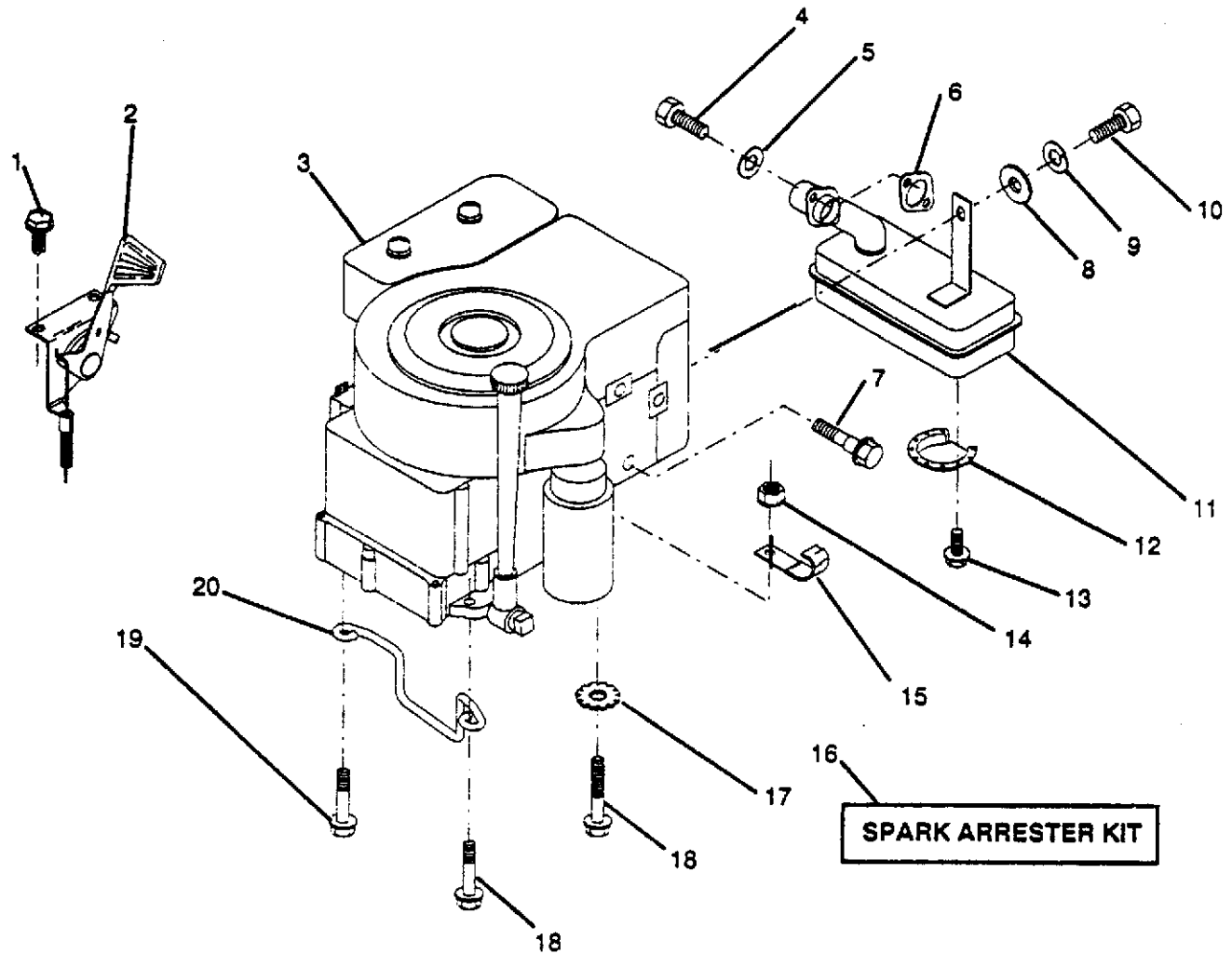


KEY NO.	PART NO.	DESCRIPTION	KEY NO.	PART NO.	DESCRIPTION
1	532123436	Rod, Parking Brake	16	873800600	Nut, Lock, Hex with Wsh Insert 3/8-16 UNC
2	532123437	Bracket, Parking Brake	17	532106888	Spring, Brake Rod
3	532122504	Bracket, L.H. Clutch Pedal	18	819132012	Washer 13/32 x 1 1/4 x 12 Ga.
4	532124872	Cover, Pedal	19	532004921	Spring, Retainer
5	876020312	Pin, Cotter 3/32 x 3/4	20	873930600	Nut, Centerlock 3/8-16 UNC
6	819131016	Washer, 13/32 x 5/8 x 16 Ga.	21	873680600	Nut, Crownlock 3/8-16 UNC
7	817490508	Screw, Hex Washer Hd. TF 5/16-18 x 1/2	22	532106204	Trunnion, Lift
8	876020412	Pin, Cotter 1/8 x 3/4	23	532123672	Link, Threaded
9	819131316	Washer 13/32 x 13/16 x 16 Ga.	24	532123641	Assembly, Brake Pivot Arm
10	532124145	Assembly, Clutch/Brake Pedal	25	532121978	Bracket, Lift Shaft
11	532123543	Rod, Front Brake	26	532123394	Rod, Clutch
12	819251816	Washer 25/32 x 1-1/8 x 16 Ga.	27	872110506	Bolt, Carriage 5/16-18 UNC x 3/4
13	812000034	Ring, Clip	28	873510500	Nut, Keps 5/16-18 UNC
14	532126759	Rod, Rear Brake	29	532123547	Assembly, Rear Mower Lift
15	873350600	Nut, Hex Jam 3/8-16 UNC	30	532071673	Cap, Plunger

HARDWARE SHOWN LARGER FOR EASIER IDENTIFICATION

# ILLUSTRATED PARTS BREAKDOWN

## ENGINE / THROTTLE

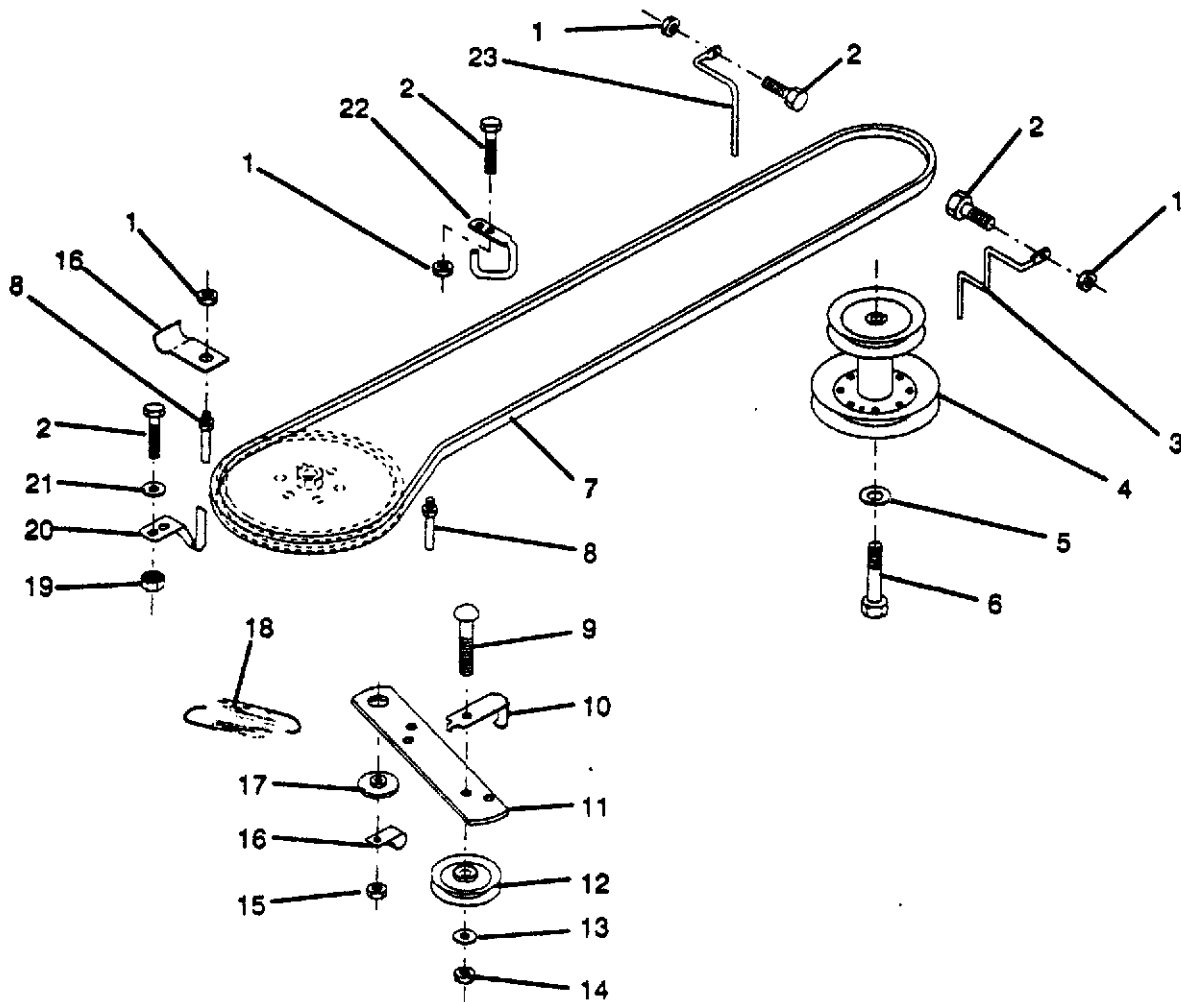


KEY NO.	PART NO.	DESCRIPTION	KEY NO.	PART NO.	DESCRIPTION
1	817720408	Screw, Hex Thd. Cut 1/4-20 x 1/2	11	532123676	Muffler
2	532122014	Control, Throttle	12	532101326	Deflector, Muffler
3	532124136	Engine, Briggs and Stratton Model No. 281707 Type No. 0412-01	13	817030808	Screw, Spiderlock Hex #8 x 1/2 ABTPS
4	871070512	Screw, Hex Hd. Cap 5/16-18 x 3/4	14	873510600	Nut, Keps 3/8-18
5	810040500	Washer, Lock Heavy Helical Spring 5/16	15	532124996	Clip, Fuel Line
6	532125593	Gasket, Exhaust	16	532121851	Arrester, Spark (optional equipment)
7	532121094	Bolt, Shoulder 5/16	17	811050600	Washer, Lock, Ext. Tooth 3/8
8	819101216	Washer 5/16 x 3/4 x 16 Ga.	18	817490632	Screw, Hex Wsh Hd Thdrol 3/8-16 x 2
9	810040400	Washer, Lock Heavy Helical Spring 1/4	19	817490624	Screw, Hex Wsh Hd Thdrol 3/8-16 x 1-1/2
10	874780412	Bolt, Hex Fin. 1/4-20 UNC x 3/4	20	532126636	Keeper, Ground Drive Belt
			-	532120601	Decal (Engine)

HARDWARE SHOWN LARGER FOR EASIER IDENTIFICATION

# ILLUSTRATED PARTS BREAKDOWN

## GROUND DRIVE

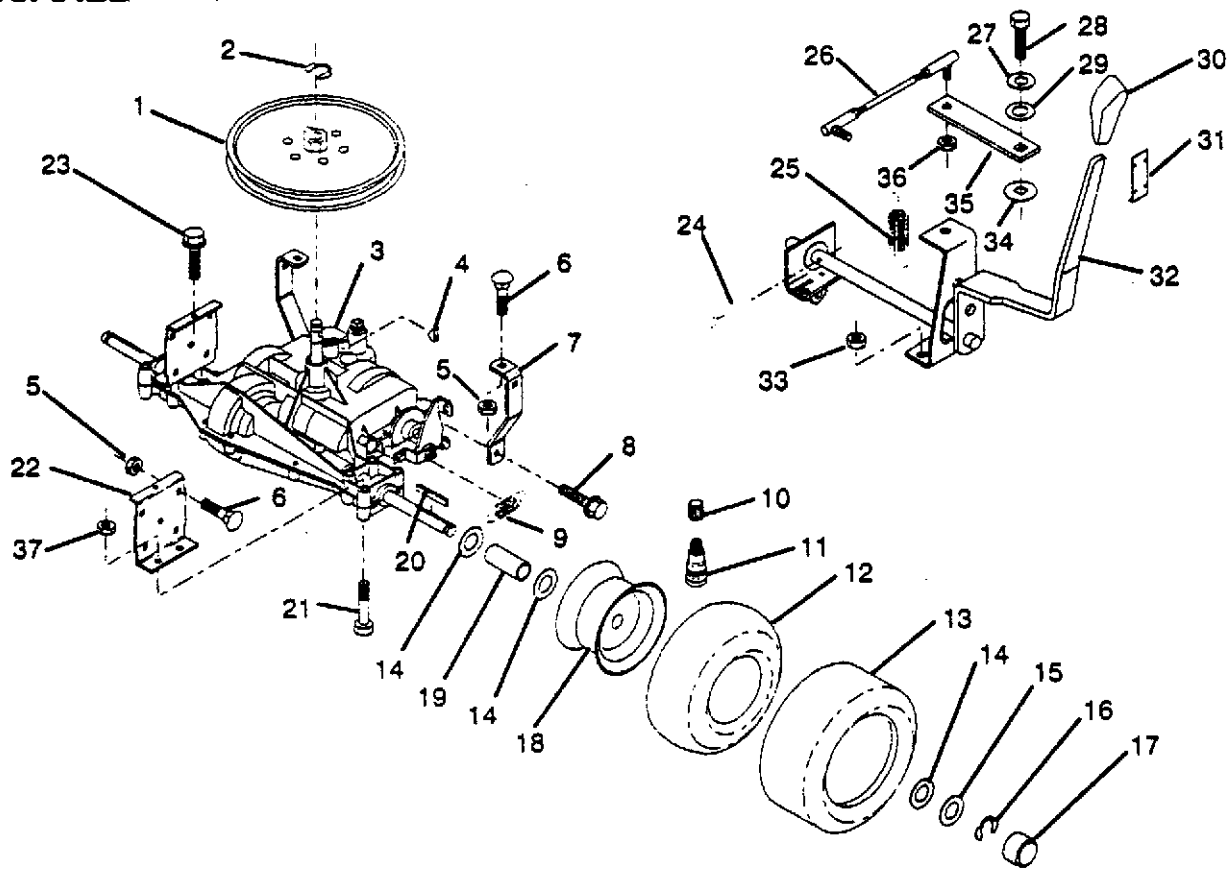


KEY NO.	PART NO.	DESCRIPTION	KEY NO.	PART NO.	DESCRIPTION
1	873680500	Nut, Crownlock 5/16-18	11	532123395	Arm, Ground Drive Clutch
2	874760512	Bolt, Hex Hd. 5/16-18 UNC x 3/4	12	532004859	Idler, Flat
3	532123448	Keeper, Engine Mower Drive R.H. Belt	13	819131316	Washer 13/32 x 13/16 x 16 Ga.
4	532123400	Pulley, Engine	14	873930600	Nut, Centerlock 3/8-16 UNC
5	810040700	Washer, Lock Hvy. Helical Spring 7/16	15	873680600	Nut, Crownlock 3/8-16 UNC
6	871130720	Bolt, Fin. Hex 7/16-20 UNF x 1-1/4 Gr. 8	16	532126471	Clip, Insulated
7	532124525	Traction, V-Belt Drive	17	532122052	Spacer, Retainer
8	532123405	Keeper, T/A Ground Drive Belt	18	532123397	Spring, Extension
9	872140612	Bolt, Carriage 3/8-16 UNC x 1-1/2	19	873510500	Nut, Keps 5/16-18 UNC
10	532123396	Keeper, Belt Ground Drive Idler	20	532123891	Keeper, T/A Ground Drive Belt
			21	819111016	Washer 11/32 x 5/8 x 16 Ga.
			22	532123404	Keeper, Frame Ground Drive Belt
			23	532123402	Keeper, Engine Mower Drive L.H. Belt

HARDWARE SHOWN LARGER FOR EASIER IDENTIFICATION

# ILLUSTRATED PARTS BREAKDOWN

## TRANSAXLE

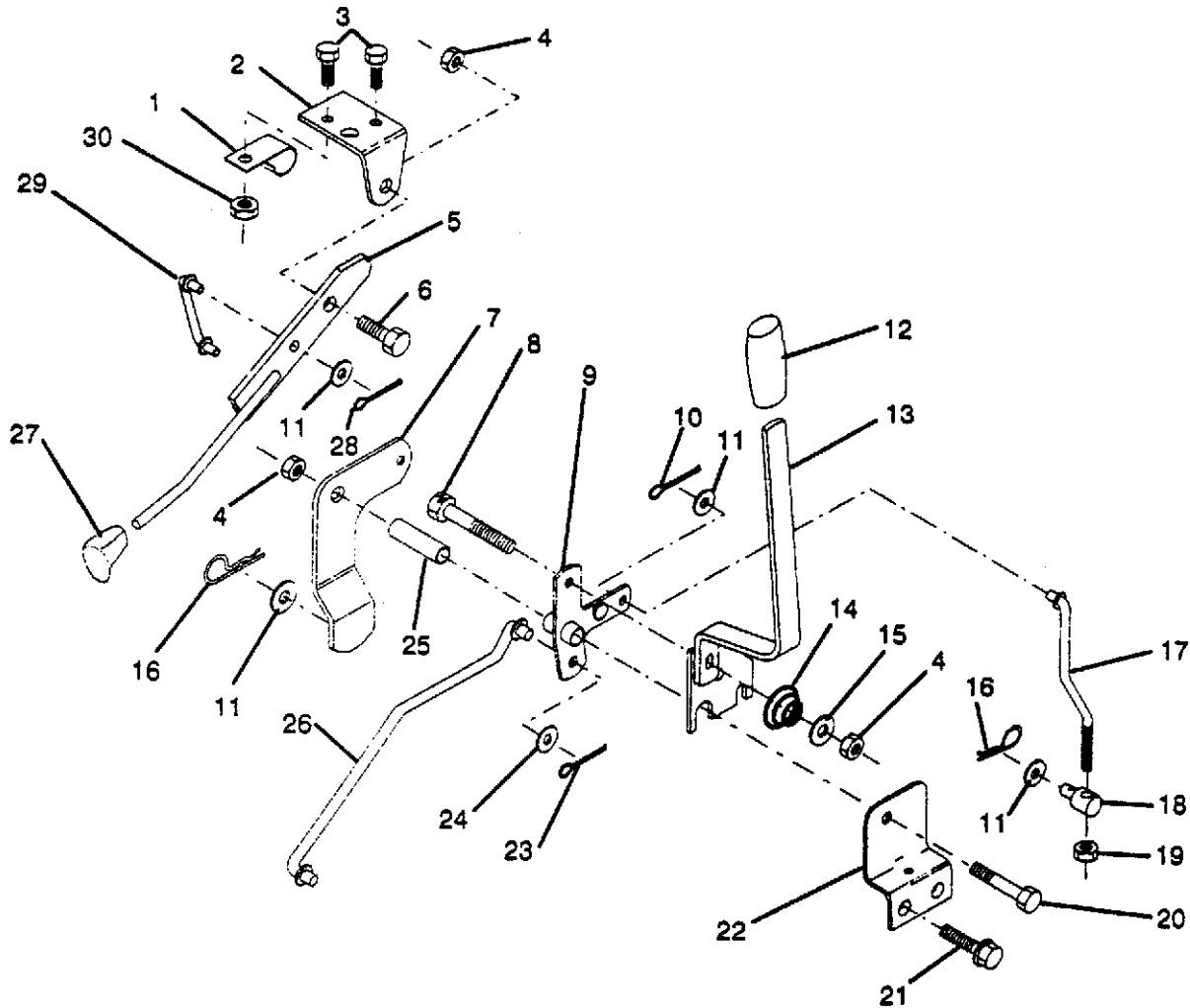


KEY NO.	PART NO.	DESCRIPTION	KEY NO.	PART NO.	DESCRIPTION
1	532123385	Pulley	21	874760644	Bolt, Fin, Hex 3/8 - 16 UNC x 2-3/4
2	812000028	Ring, Retainer	22	532123377	Bracket, Transaxle
3	532123655	Transaxle, Foote Dana, 6 Speed, Model No. 4360-18	23	817490512	Screw, 5/16-18 x 3/4
4	532125096	Key, Woodruff #9	24	876020416	Pin, Cotter 1/8 X 1
5	873680500	Nut, Crownlock 5/16-18	25	532123393	Spring, Extension
6	872140506	Bolt, Carriage 5/16-18 UNC x 3/4	26	532123632	Link, Shift
7	532123378	Strap, Torque	27	810040400	Washer, Lock Hvy. Helical Spring 1/4
8	817490508	Screw, Hex Thdrol. 5/16-18 x 1/2	28	871040412	Bolt, Fin, Hex 1/4-28 UNF x 3/4 Gr.8
9	532110422	Spring, Brake	29	819091210	Washer 9/32 x 3/4 x 10 Ga.
10	532059192	Cap, Valve	30	532122011	Knob, Shift Control
11	532065139	Stem, Valve	31	532123692	Retainer, Knob
12	532008134	Tube	32	532125976	Assembly, Shift Handle
13	532123411	Tire, Rear	33	873510500	Nut, Keps 5/16-18
14	532121749	Washer 25/32 x 1-1/4 x 16 Ga.	34	532105701	Washer, Shift Plate
15	532121748	Washer 25/32 x 1-5/8 x 16 Ga.	35	532123539	Arm, Shift
16	812000001	E-Ring	36	873810500	Nut, Hex Nylon 5/16-24
17	532104757	Cap, Axle	37	873680600	Nut, Crownlock 3/8 - 16 UNC
18	532124973	Rim			
19	532123409	Spacer			
20	532123583	Key, Square			

HARDWARE SHOWN LARGER FOR EASIER IDENTIFICATION

# ILLUSTRATED PARTS BREAKDOWN

## MOWER LIFT LEVER



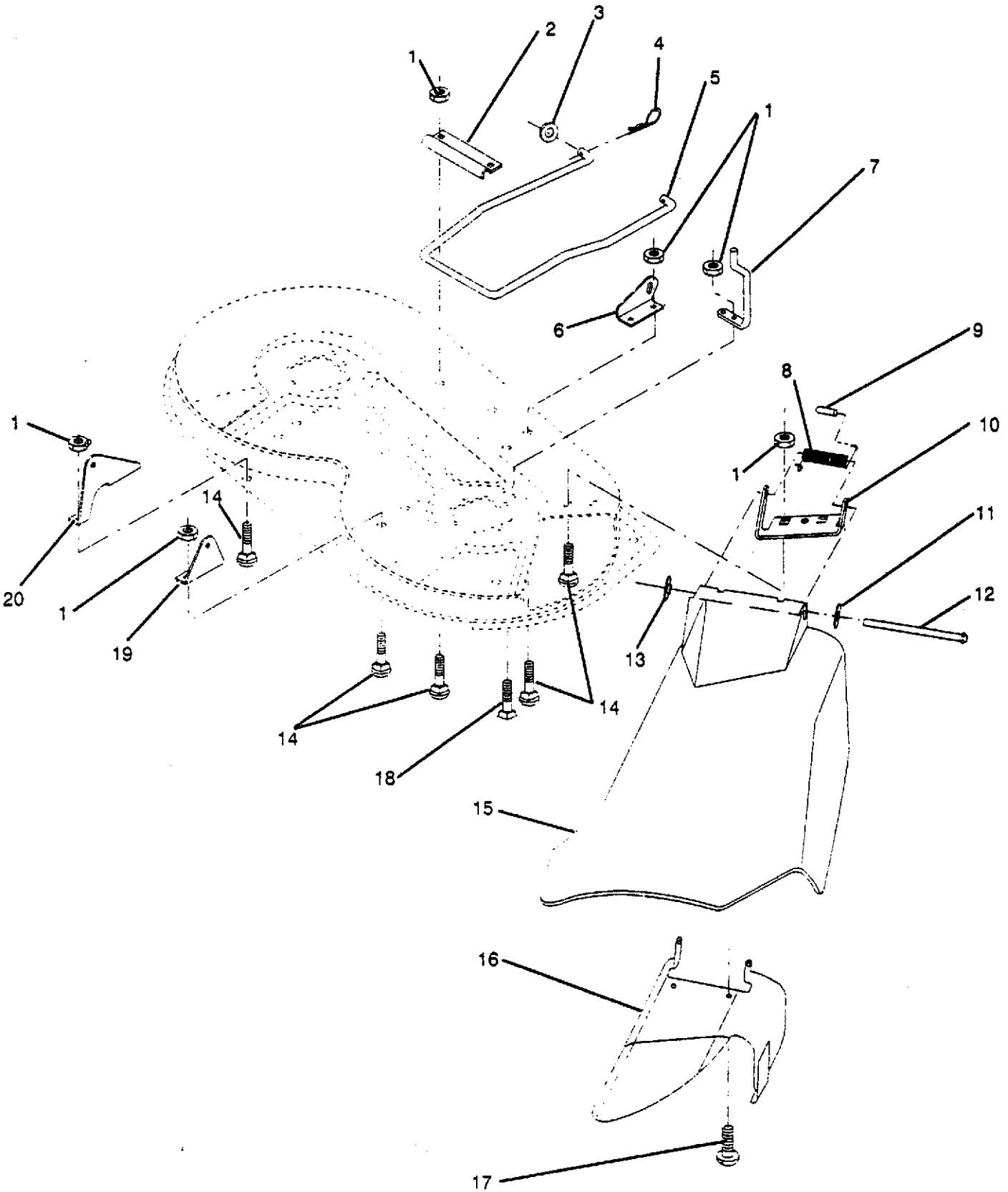
KEY NO.	PART NO.	DESCRIPTION	KEY NO.	PART NO.	DESCRIPTION
1	532126470	Clip, Insulated	16	532004921	Retainer, Spring
2	532122018	Bracket, Mower Clutch	17	532123654	Link, Front Lift
3	874780408	Bolt, Fin. Hex 1/4-20 UNC x 1/2 Gr. 5	18	532007078	Trunnion, Threaded 3/8-16
4	873680600	Nut, Crownlock 3/8-16 UNC	19	873350600	Nut, Hex Jam 3/8 x 16 UNC
5	532123417	Assembly, Clutch Lever	20	874760644	Bolt, Fin. Hex 3/8-16 UNC x 2-3/4
6	532106451	Bolt, Shoulder	21	817490508	Screw, Hex Thdrol. 5/16-18 x 1/2
7	532123491	Assembly, Mower Clutch Arm	22	532121929	Bracket, Mower Height
8	874760636	Bolt, Hex 3/8-16 UNC x 2-1/4	23	876020416	Pin, Cotter 1/8 x 1
9	532121930	Assembly, Bellcrank Lift	24	819171616	Washer 17/32 x 1 x 16 Ga.
10	876020412	Pin, Cotter 1/8 x 3/4	25	532121933	Tube, Spacer
11	819131316	Washer, 13/32 x 13/16 x 16 Ga.	26	532121934	Rod, Mower Lift
12	532122027	Grip, Handle	27	532121466	Knob
13	532122741	Assembly, Lift Handle	28	876020312	Pin, Cotter 3/32 x 3/4
14	532123496	Spring, Compression	29	532123671	Link, Mower Clutch
15	819131212	Washer 13/32 x 3/4 x 12 Ga.	30	873680400	Nut, Crownlock 1/4-20

HARDWARE SHOWN LARGER FOR EASIER IDENTIFICATION

For Husqvarna Parts Call 606-678-9623 or 606-561-4983

# ILLUSTRATED PARTS BREAKDOWN

## MOWER DECK





# ILLUSTRATED PARTS BREAKDOWN

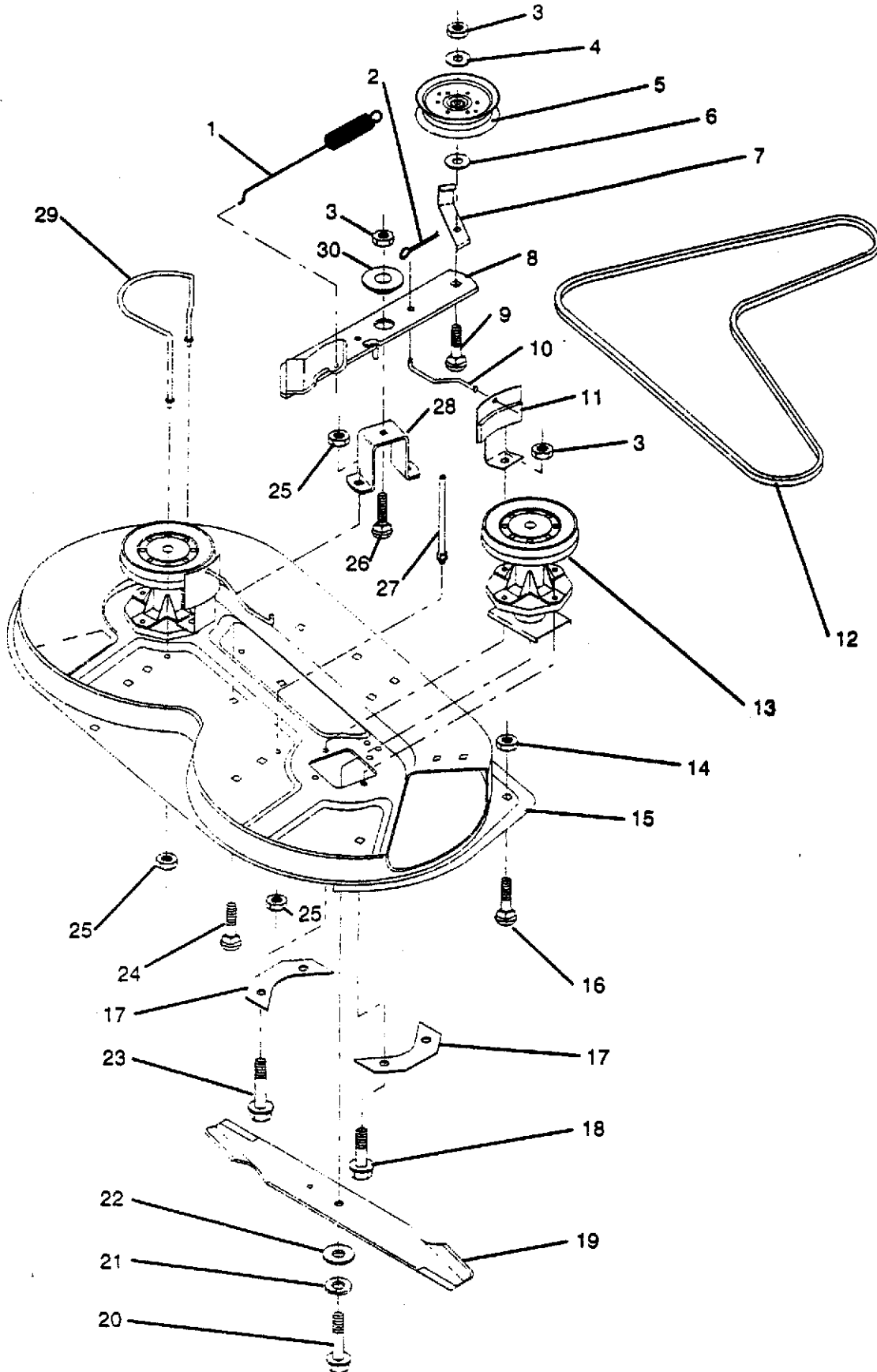
## MOWER DECK

KEY NO.	PART NO.	DESCRIPTION	KEY NO.	PART NO.	DESCRIPTION
1	873680500	Nut, Crownlock 5/16-18	13	532110452	Nut, Push
2	532122047	Bracket, Stabilizer Link	14	872140505	Bolt, Carriage 5/16-18 UNC x 5/8
3	819171713	Washer 17/32 x 1-1/16 x 13 Ga.	15	532126370	Guard, Discharge
4	532124660	Clip, Hairpin	16	532125629	Assembly, Deflector Support
5	532124636	Stabilizer, Mower Link	17	817051007	Screw, Pan Hd. PLT-30
6	532122045	Bracket, R.H. Front Lift	18	874760512	Bolt, Hex Head 5/16-18 UNC x 3/4
7	532123661	Guide, Front Mandrel R.H. Mower Belt	19	532122043	Bracket, R.H. Rear Lift
8	532123713	Spring, Torsion	20	532122044	Bracket, L.H. Rear Lift
9	532105304	Cap, Sleeve	-	532123658	Decal, Cut Fingers
10	532126361	Bracket, Deflector	-	532109820	Decal, Rotating Blades
11	819111016	Washer 11/32 x 5/8 Ga.	-	532105814	Decal, Belt Instruction
12	532121980	Rod, Hinge	-	532123649	Decal, Deflector Shield

HARDWARE SHOWN LARGER FOR EASIER IDENTIFICATION

# ILLUSTRATED PARTS BREAKDOWN

## MOWER DECK



# ILLUSTRATED PARTS BREAKDOWN

## MOWER DECK

KEY NO.	PART NO.	DESCRIPTION	KEY NO.	PART NO.	DESCRIPTION
1	532122028	Spring, Mower Clutch	18	817490614	Screw Hex Thdrol. 3/8-16 x 7/8
2	876020312	Pin, Cotter 3/32 x 3/4	19	532126338	Blade, High Lift
3	873680600	Nut, Crownlock 3/8-16 UNC	20	874610624	Bolt, Fin. Hex 3/8-24 UNF x 1-1/2 Gr. 5
4	819131412	Washer 13/32 x 7/8 x 12 Ga.	21	810030600	Washer, Lock Hvy. 3/8
5	532121316	Idler, Flat	22	819132012	Washer 13/32 x 1-1/4 x 12 Ga.
6	819132203	Washer 13/32 x 1-3/8 x 3 Ga.	23	817490620	Screw Hex Thdrol. 3/8-16 x 1-1/4
7	532126756	Guide, Belt	24	872140505	Bolt, Carriage 5/16-18 UNC x 5/8
8	532123702	Assembly, Mower Idler Arm	25	873680500	Nut, Crownlock 5/16-18
9	872110618	Bolt, Carriage 3/8-16 x 2-1/4	26	872110608	Bolt, Carriage 3/8-16 UNC x 1 Gr. 5
10	532122049	Rod, Brake	27	532123439	Guide, R.H. Rear Belt
11	532106578	Assembly, Brake	28	532122051	Support, Idler Arm
12	532124293	V-Belt	29	532123673	Guide, L.H. Belt
13	532124208	Assembly, Mandrel	30	532122052	Spacer, Retainer
14	873680400	Nut, Crownlock 1/4-20			
15	532126410	Housing, Mower 36"			
16	872140404	Bolt, Carriage 1/4-20 x 1/2			
17	532100668	Support, Plate Jackshaft			

HARDWARE SHOWN LARGER FOR EASIER IDENTIFICATION