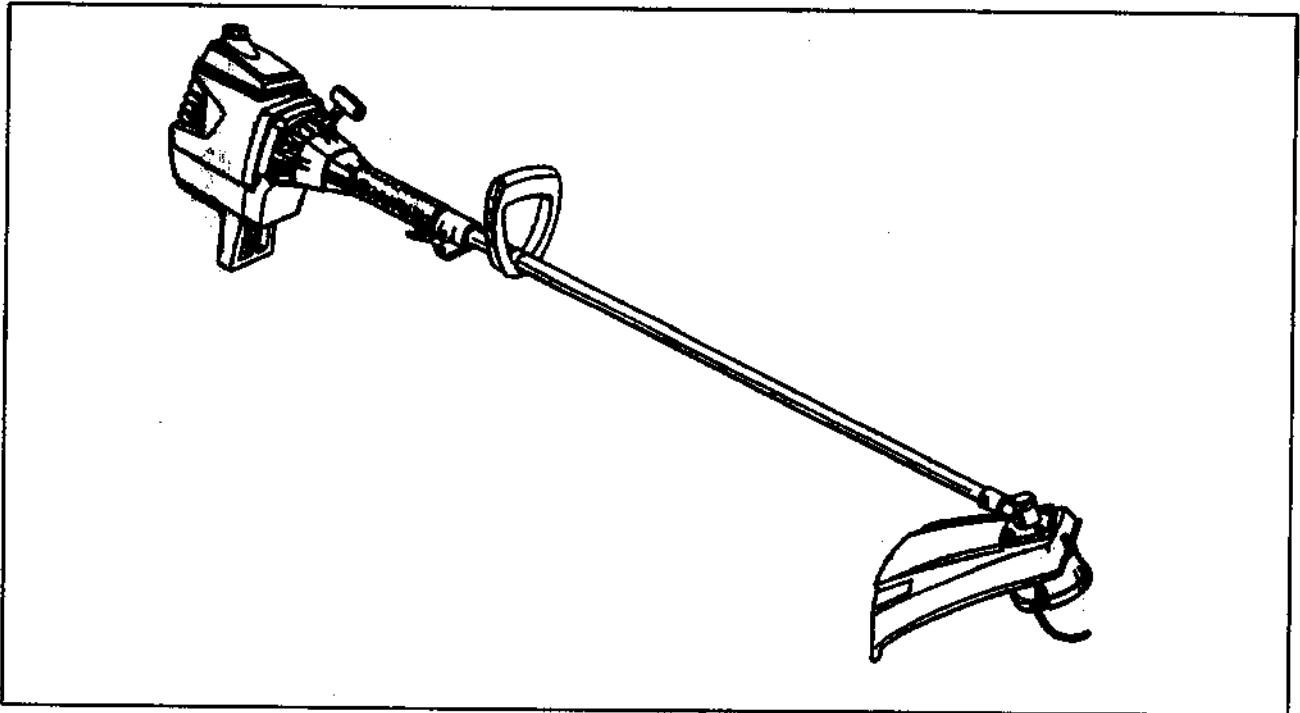




32 RL



1.1990

Spare parts

Pièces détachées

Key No.	Part No.	Description	Key No.	Part No.	Description
1	530 02 75-95	Drive Shaft Pad	24	952 70 85-27	Cutting Head Ass'y. (Incl. #25-27)
2	530 01 57-68	Nut	25	530 09 47-59	Hub Ass'y
3	530 09 48-98	Drive Shaft Housing	26	952 70 85-28	Spool w/Line
4	530 01 09-57	Handle	27	530 09 44-94	Cover
5	530 01 51-97	Nut	28	530 03 11-11	Hex Wrench (5/32)
6	530 00 15-42	Lockwasher	29	530 03 10-98	Hex Wrench (3/16)
7	530 00 17-11	Screw	30	530 03 01-02	Shaft Lubrication
8	530 01 57-90	Screw	31	530 01 42-22	Handle Ass'y.
9	530 01 57-90	Screw	32	530 01 56-10	Nut
10	530 01 09-59	Throttle Lever Ass'y. w/ Lock (Incl. #2 & 9)	33	530 09 47-42	Clamp
11	530 06 92-52	"T" Handle Ass'y.	34	530 09 46-86	Clamp Harness Ass'y.
12	530 01 53-28	Lockwasher	35	530 09 46-38	Shoulder Strap
13	530 09 46-12	Screw			
14	530 09 45-68	Gear Box Ass'y.			
15	530 09 45-85	Drive Shaft			
16	530 06 92-56	Shield Kit Ass'y. (Incl. #17-19)	Decals		
17	530 01 50-37	Screw	A	530 02 91-65	Shaft Warning Decal (Upper)
18	530 09 45-70	Line Limiter	B	530 02 91-66	Shaft Warning Decal (Lower)
19	530 01 56-53	Locknut			
20	530 09 46-16	Screw	Not Shown		
21	530 09 46-40	Seal		530 06 77-42	Operator's Manual
22	530 09 46-39	Dust Cup			
23	530 09 45-71	Grass Washer			

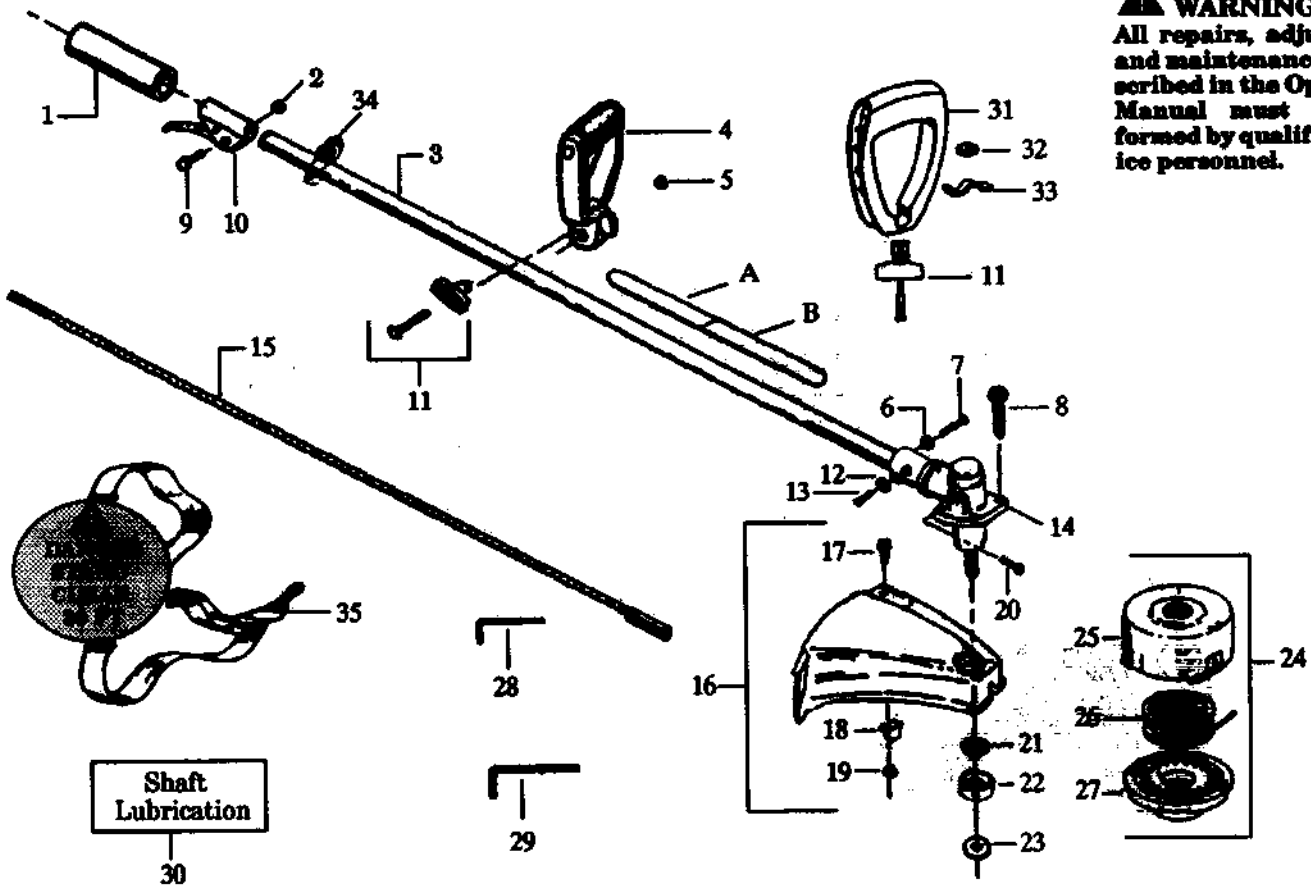
PARTS LIST NO. 530-067743 - 12/18/89		HUSQVARNA PARTS LIST			Trimmer Model: 32 RL	
Page No. 3	REPLACES NONE	Note: Illustrations may differ from actual models due to design changes				
Key No.	Part No.	Description	Key No.	Part No.	Description	
1	:530 01 57-72	Screw	51	530 03 91-34	Ignition Module Kit	
2	:530 02 75-29	Air Filter Cover	52	530 01 51-28	Screw	
3	:530 02 75-30	Air Filter	53	530 03-91-36	Flywheel Ass'y.	
4	:530 01 58-49	Screw	54	530 02 75-72	Flywheel Counterweight	
5	:530 02 75-28	Spacer	55	530 02 91-89	Fan Housing	
6	:530 01 52-54	Wave Washer	56	530 06 92-91	Starter Pulley	
7	:530 02 75-26	Choke Shutter	57	530 02 75-31	Starter Spring	
8	:530 02 75-27	Air Filter Plate	58	530 02 75-69	Starter Handle	
9	:530 06 92-47	Fuel Line Kit	59	530 06 92-32	Rope Kit	
10	:530 01 08-97	Fuel Pick-up Ass'y.	60	530 01 41-14	Pulley Housing Ass'y.	
11	:530 03 52-59	Carburetor (WA-199)	61	530 09 41-89	Clutch Washer	
12	† 530 01 91-56	Carburetor Gasket	62	530 06 92-59	Clutch	
13	:530 01 08-07	Fuel Cap Ass'y.	63	530 01 57-96	Washer	
14	:530 01 57-75	Screw	64	530 00 17-33	Nut	
15	:530 02 75-49	Throttle Cable Ass'y.	65	530 01 41-15	Clutch Housing	
16	:530 02 91-88	Shroud & Tank Ass'y.	66	530 01 57-67	Screw	
17	† 530 01 91-54	Gasket	67	530 02 75-11	Spacer	
18	:530 02 75-93	Reed	68	530 01 57-70	Screw	
19	:530 02 75-94	Reed Stop	69	530 01 57-69	Screw	
20	:530 01 09-60	Connecting Rod Ass'y. (Incl. Bearings)	70	530 01 54-96	Screw	
21	:530 01 09-34	Crankshaft Ass'y.	71	530 02 75-23	Pulley Retainer	
22	:530 01 51-26	Flywheel Key	72	530 01 57-68	Locknut	
23	:530 01 57-72	Screw	73	530 06 92-76	Engine Gasket Kit (†Indicates Contents)	
24	:530 01 57-80	Screw	76	530 03 50-14	*+ Metering Diaphragm	
25	:530 02 75-46	Kill Switch Insulator	77	530 03 51-51	*+ Metering Diaphragm Gasket	
26	:530 02 75-47	Lead Wire	78	530 03 51-47	*+ Circuit Plate Gasket	
27	:530 01 57-71	Screw	79	530 03 51-42	Hi Speed Needle	
28	:530 01 40-16	Crankcase Ass'y. (Incl. #39-42)	80	530 03 50-36	Hi Speed Needle Spring	
29	:530 02 75-45	Kill Switch Ramp	81	530 03 51-41	Idle Needle	
30	:530 02 79-58	Kill Switch Button	82	530 03 50-23	Idle Needle Spring	
31	:530 02 79-59	Kill Switch Spring	83	530 03 52-03	Idle Speed Screw	
32	:530 01 40-15	Crankcase & Crankshaft Ass'y. (Incl. #21,28, 38 & 43)	84	530 03 52-08	Idle Speed Spring	
33	:530 01 52-41	Screw	85	530 03 50-28	+ Metering Lever Pin	
34	:530 01 51-62	Piston Pin Retainer	86	530 03 80-31	+ Metering Lever	
35	:530 02 58-75	Piston Ring	87	530 03 51-88	+ Metering Lever Spring	
36	† 530 01 91-61	Cylinder Gasket	88	530 03 51-06	+ Inlet Needle Valve	
37	:530 06 92-77	Piston Kit (Incl. #34,35 & pin)	89	530 03 51-78	+ Inlet Screen	
38	:530 01 57-88	Spacer	90	530 03 51-66	*+ Pump Diaphragm	
39	:530 03 21-03	Inner Bearing	91	530 03 51-64	*+ Pump Gasket	
40	:530 01 57-87	Retaining Ring	92	530 03 52-60	Carb. Kwik Repair Kit (+ Indicates Contents)	
41	:530 01 91-58	Crankshaft Seal	93	530 03 51-85	Carb. Gasket/Diaphragm Kit (*Indicates Contents)	
42	:530 03 21-02	Outer Bearing	94	530 01 58-23	Screw (Incl. in Starter Pulley Kit)	
43	:530 01 57-89	Crankshaft Retaining Ring				
44	:530 01 57-17	Screw				
45	:530 02 77-81	Muffler Guard				
46	:530 06 92-57	Muffler Kit	A	530 02 94-96	Instruction Decal	
47	:530 02 49-03	Muffler Spring				
48	:530 01 22-38	Cylinder				
49	:530 03 00-58	Spark Plug				
50	:530 01 52-39	Screw				
				Not Shown		
				230 03 13-14	Carton	
				530 01 42-49	Ass'y. Parts Bag	

† = Engine Gasket Kit Contents

☆☆☆☆ = Service Reference

PARTS LIST NO. 530-067743 - 12/18/89		HUSQVARNA PARTS LIST	Trimmer Model: 32 RL
Page No. 1	REPLACES NONE		

▲ WARNING
All repairs, adjustments and maintenance not described in the Operator's Manual must be performed by qualified service personnel.



PARTS LIST NO. 530-067743 - 12/18/89		HUSQVARNA PARTS LIST	Trimmer Model: 32 RL
Page No. 2	REPLACES NONE		

