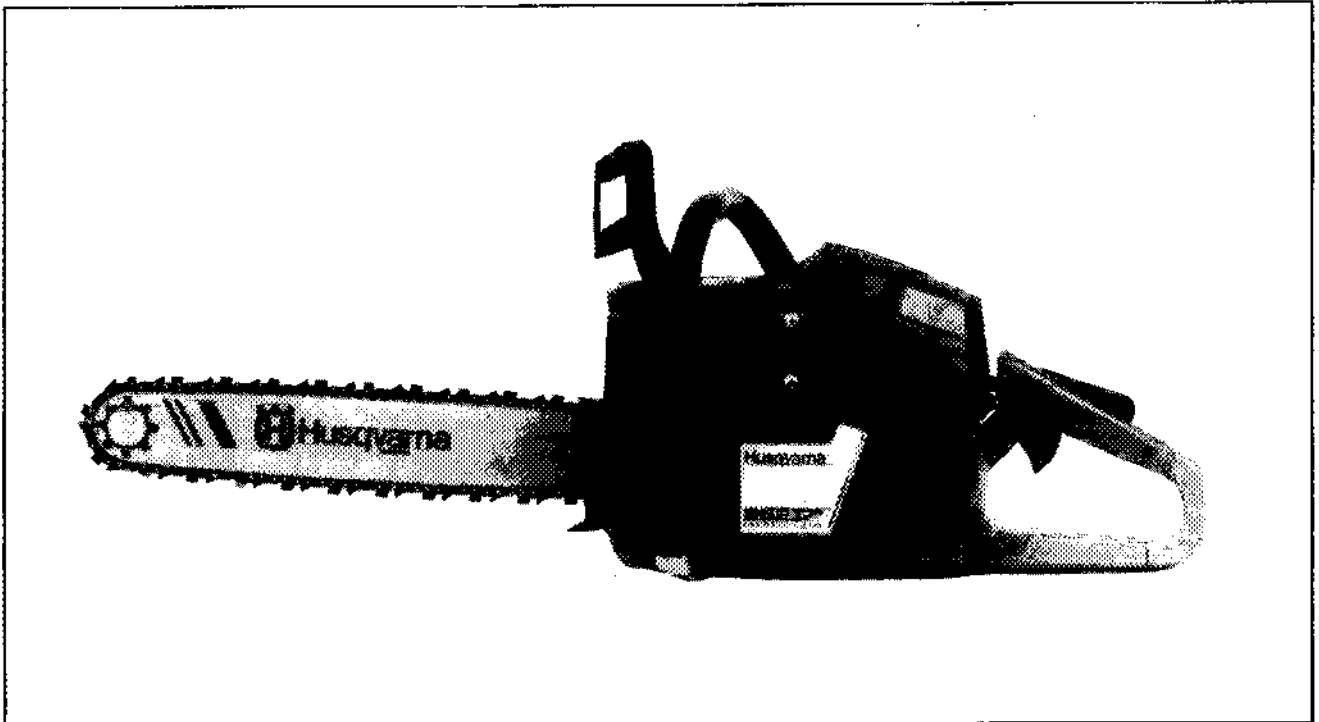




# 262



**1.1990**

**Spare parts**

**Ersatzteile**

**Pièces détachées**

**Repuestos**

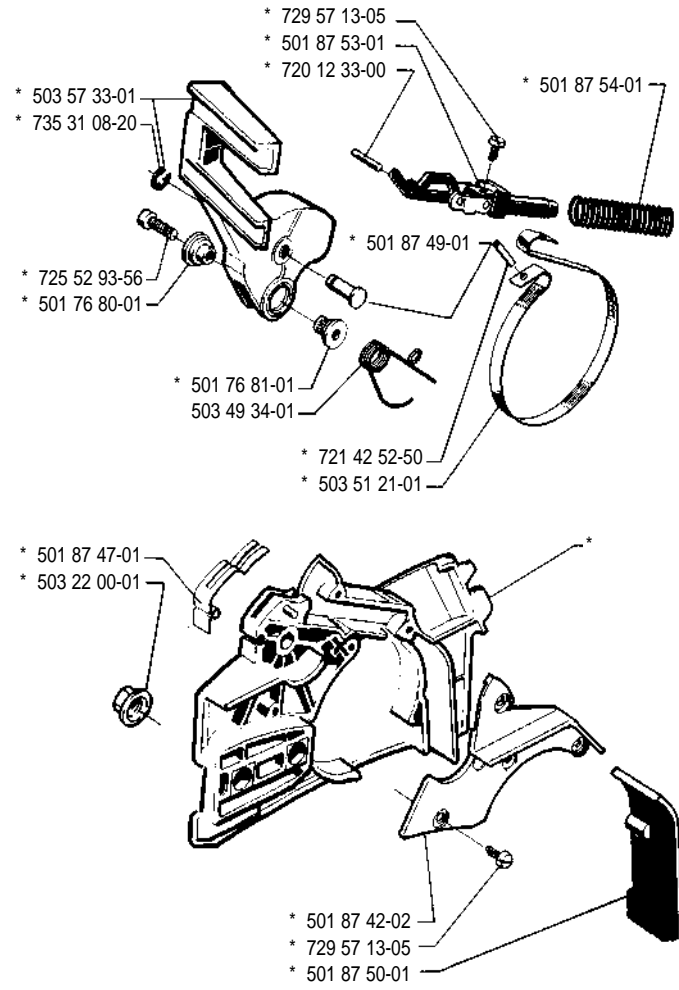
**Reservdelar**

| PARTNUMBER   | SQUARE | NOTE  | PARTNUMBER   | SQUARE | NOTE  | PARTNUMBER   | SQUARE | NOTE  | PARTNUMBER   | SQUARE | NOTE  |
|--------------|--------|-------|--------------|--------|-------|--------------|--------|-------|--------------|--------|-------|
| 501 05 64-01 | C      | 2 PCS | 501 87 65-01 | J      |       | 503 54 09-01 | K      |       | 725 53 31-55 | C      | 4 PCS |
| 501 45 27-02 | K      |       | 501 87 68-03 | D      |       | 503 54 10-01 | E      | 2 PCS | 725 53 32-55 | K      |       |
| 501 45 41-01 | K      |       | 501 87 79-01 | M      |       | 503 54 11-71 | C      |       | 725 53 37-55 | K      |       |
| 501 45 74-02 | J      |       | 501 87 80-01 | M      |       | 503 54 16-01 | L      |       | 725 53 41-55 | K,K    |       |
| 501 46 84-01 | M      |       | 501 87 90-01 | M      |       | 503 54 17-01 | L      |       | 725 53 68-55 | F      | 2 PCS |
| 501 46 85-01 | M      |       | 501 87 95-01 | K      |       | 503 54 21-01 | B      |       | 729 22 21-01 | H,J    |       |
| 501 46 87-01 | M      |       | 501 91 14-01 | N      |       | 503 54 23-01 | B      |       | 729 53 42-05 | E      |       |
| 501 48 54-02 | H      |       | 502 25 47-01 | M      | ②     | 503 54 26-01 | K      |       | 729 57 13-05 | A,A    | 5 PCS |
| 501 48 56-01 | H      |       | 503 08 20-01 | M      |       | 503 54 31-01 | D      |       | 734 11 24-01 | H      |       |
| 501 49 24-03 | H (G)  |       | 503 08 52-01 | H      |       | 503 54 32-01 | D      |       | 734 48 51-01 | H      |       |
| 501 49 27-03 | H      |       | 503 08 54-01 | M      |       | 503 54 34-01 | B      | 2 PCS | 735 31 08-20 | A      |       |
| 501 49 76-01 | K      | 3 PCS | 503 08 97-02 | H      |       | 503 54 35-01 | B      | 4 PCS | 738 22 02-25 | G      | 2 PCS |
| 501 51 72-01 | K      |       | 503 09 80-02 | H (G)  |       | 503 54 37-01 | K      |       | 740 42 06-00 | K      | 2 PCS |
| 501 54 41-02 | J      |       | 503 10 87-01 | M      | 4 PCS | 503 54 38-01 | K      |       | 740 44 05-00 | K      |       |
| 501 59 74-04 | H      |       | 503 12 82-01 | H      |       | 503 54 39-01 | L      |       | 740 48 27-02 | K      |       |
| 501 60 02-02 | N      |       | 503 12 82-02 | H (G)  |       | 503 54 40-01 | K      |       |              |        |       |
| 501 61 58-01 | J      |       | 503 16 66-01 | J      |       | 503 54 41-01 | D      |       |              |        |       |
| 501 62 43-01 | J      |       | 503 16 73-01 | J      |       | 503 54 42-01 | D      |       |              |        |       |
| 501 62 93-05 | H (G)  | 2 PCS | 503 17 63-01 | M      |       | 503 54 43-01 | D      | ①     |              |        |       |
| 501 63 02-02 | L      |       | 503 17 89-02 | L      |       | 503 54 44-01 | D      | ①     |              |        |       |
| 501 63 06-01 | L      |       | 503 20 40-06 | K      | 2 PCS | 503 54 45-01 | L      |       |              |        |       |
| 501 63 44-03 | H      |       | 503 20 55-06 | F      | 2 PCS | 503 54 46-01 | L      |       |              |        |       |
| 501 63 48-01 | H      | 2 PCS | 503 20 55-08 | F      | 4 PCS | 503 54 46-02 | L      |       |              |        |       |
| 501 66 49-01 | J      |       | 503 20 64-12 | F,D    | 4 PCS | 503 54 46-03 | L      |       |              |        |       |
| 501 66 61-01 | M      |       | 503 20 64-16 | L      | 4 PCS | 503 54 46-04 | L      |       |              |        |       |
| 501 66 62-01 | M      |       | 503 20 67-28 | B      | 3 PCS | 503 54 54-01 | F      |       |              |        |       |
| 501 66 70-01 | M      | ②     | 503 21 30-08 | L      | 4 PCS | 503 54 57-01 | K      |       |              |        |       |
| 501 66 73-01 | M      | ②     | 503 21 32-16 | L      |       | 503 54 59-01 | C      |       |              |        |       |
| 501 66 77-01 | M      |       | 503 21 33-16 | E,E    | 4 PCS | 503 54 61-02 | E      |       |              |        |       |
| 501 66 78-01 | M      |       | 503 21 33-25 | E      |       | 503 54 62-01 |        | ① cp1 |              |        |       |
| 501 66 83-01 | M      |       | 503 21 34-25 | E,K    | 2 PCS | 503 54 65-01 | M      |       |              |        |       |
| 501 67 32-01 | H      | 2 PCS | 503 21 40-06 | H      |       | 503 54 66-01 | M      |       |              |        |       |
| 501 68 89-01 | N      |       | 503 22 00-01 | A      | 2 PCS | 503 54 67-01 | M      |       |              |        |       |
| 501 69 17-01 | N      |       | 503 22 10-11 | H      |       | 503 54 68-01 | M      |       |              |        |       |
| 501 76 56-02 | K      |       | 503 23 00-04 | J      |       | 503 54 69-01 | M      |       |              |        |       |
| 501 76 80-01 | A      |       | 503 23 00-35 | L      |       | 503 54 70-01 | M      | ②     |              |        |       |
| 501 76 81-01 | A      |       | 503 23 00-42 | H      | 2 PCS | 503 54 73-01 | M      |       |              |        |       |
| 501 76 83-02 | E      |       | 503 23 01-03 | J      |       | 503 54 74-01 | M      |       |              |        |       |
| 501 79 50-01 | K      |       | 503 23 51-08 | C      |       | 503 54 76-01 | M      | ② cp1 |              |        |       |
| 501 79 51-02 | H (G)  |       | 503 23 72-02 | H      |       | 503 56 23-01 | M      |       |              |        |       |
| 501 81 22-01 | K      |       | 503 25 34-01 | J      |       | 503 56 24-01 | M      |       |              |        |       |
| 501 81 47-04 | E      | 2 PCS | 503 26 06-01 | K      | 2 PCS | 503 56 34-01 | M      |       |              |        |       |
| 501 81 92-01 | K      |       | 503 26 30-11 | E      |       | 503 57 33-01 | A      |       |              |        |       |
| 501 81 96-02 | E      |       | 503 28 10-18 | D,M    |       | 503 57 71-01 | J      |       |              |        |       |
| 501 81 99-02 | H      | 2 PCS | 503 28 90-15 | C      |       | 503 57 74-01 | J      |       |              |        |       |
| 501 83 29-01 | M      |       | 503 40 47-01 | E      | 2 PCS | 503 60 78-01 | M      |       |              |        |       |
| 501 83 93-02 | K      |       | 503 40 56-01 | F      |       | 503 61 48-01 | M      |       |              |        |       |
| 501 83 98-05 | H      |       | 503 44 32-01 | E      |       | 504 52 30-02 | J      |       |              |        |       |
| 501 83 98-06 | H (M)  |       | 503 44 72-01 | B      |       | 505 22 09-37 | K      | 2 PCS |              |        |       |
| 501 86 00-02 | K      |       | 503 44 72-02 | B      |       | 505 30 36-94 | J      |       |              |        |       |
| 501 86 18-01 | C,G    |       | 503 44 72-03 | B      |       | 505 30 51-25 | L      |       |              |        |       |
| 501 86 19-02 | C      | ①     | 503 45 39-01 | J      |       | 505 31 67-17 | M      |       |              |        |       |
| 501 86 24-01 | D      |       | 503 49 34-01 | A      |       | 505 52 01-25 | M      |       |              |        |       |
| 501 86 41-01 | J      |       | 503 49 74-01 | E      |       | 506 02 72-04 | H      |       |              |        |       |
| 501 86 69-01 | J      |       | 503 49 74-02 | E (M)  |       | 506 02 72-05 | H (M)  |       |              |        |       |
| 501 86 90-02 | D      |       | 503 49 98-01 | D      | 2 PCS | 506 13 09-02 | E (M)  |       |              |        |       |
| 501 86 94-01 | K      |       | 503 50 17-01 | E (M)  |       | 506 18 19-71 | G      |       |              |        |       |
| 501 87 05-01 | K      |       | 503 50 17-02 | E      |       | 530 03 50-15 | M      |       |              |        |       |
| 501 87 21-01 | J      |       | 503 50 78-01 | F      |       | 720 12 33-00 | A      |       |              |        |       |
| 501 87 23-01 | J      |       | 503 50 79-01 | F      |       | 720 12 40-20 | E      |       |              |        |       |
| 501 87 24-01 | K      |       | 503 50 86-01 | F      |       | 720 13 07-10 | K      |       |              |        |       |
| 501 87 31-01 | E      |       | 503 50 93-01 | E      |       | 720 13 14-20 | E      |       |              |        |       |
| 501 87 40-05 | A      |       | 503 50 94-01 | E      |       | 721 42 32-50 | K      |       |              |        |       |
| 501 87 42-02 | A      |       | 503 51 21-01 | A      |       | 721 42 52-50 | A      |       |              |        |       |
| 501 87 47-01 | A      |       | 503 53 11-71 | C      |       | 723 52 24-05 | H (G)  |       |              |        |       |
| 501 87 49-01 | A      |       | 503 53 33-01 | E      |       | 725 52 91-56 | H      | 3 PCS |              |        |       |
| 501 87 50-01 | A      |       | 503 53 33-02 | E (M)  |       | 725 52 92-06 | J      | 4 PCS |              |        |       |
| 501 87 53-01 | A      |       | 503 54 01-01 | E      |       | 725 52 93-56 | A      |       |              |        |       |
| 501 87 54-01 | A      |       | 503 54 01-02 | H (G)  |       | 725 52 94-55 | H      |       |              |        |       |
| 501 87 62-01 | M      |       | 503 54 07-01 | E      |       | 725 53 23-05 | K      | 2 PCS |              |        |       |

① = 503 54 65-01  
 Set of gasket  
 Dichtungssatz  
 Jeu de joints  
 Juego de juntas  
 Packningssats

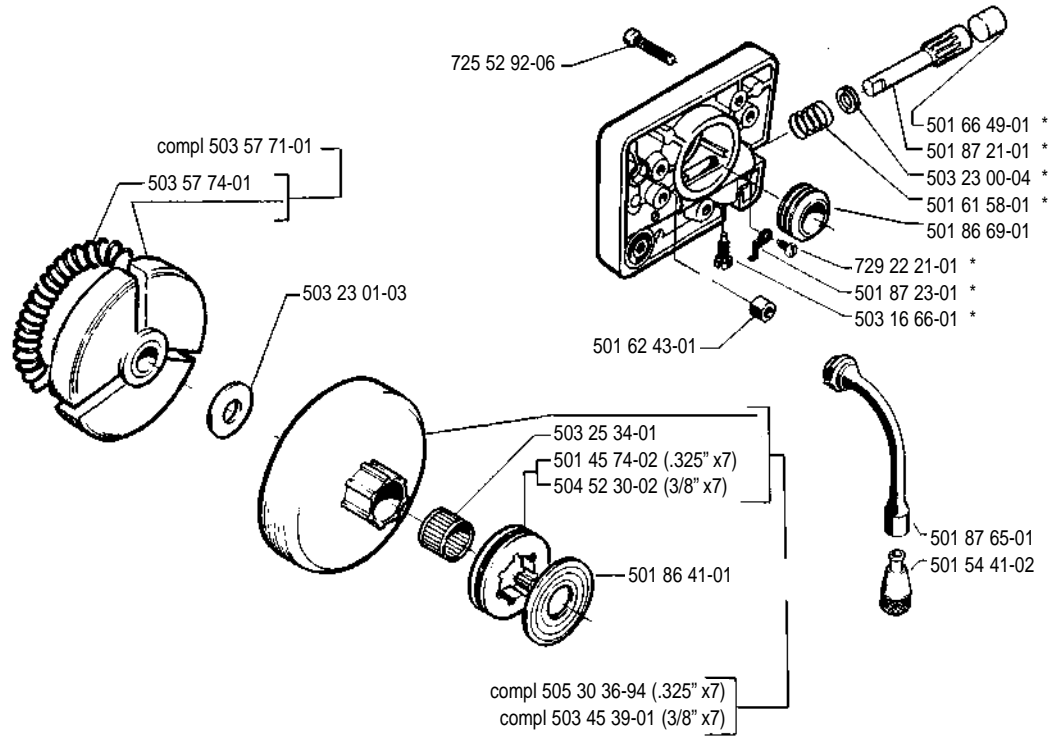
(M) = Microprocessor  
 (G) = Generator  
 X pcs = The sum of pieces on the saw

**A** \* compl 501 87 40-05



**J**

\* compl 503 16 73-01

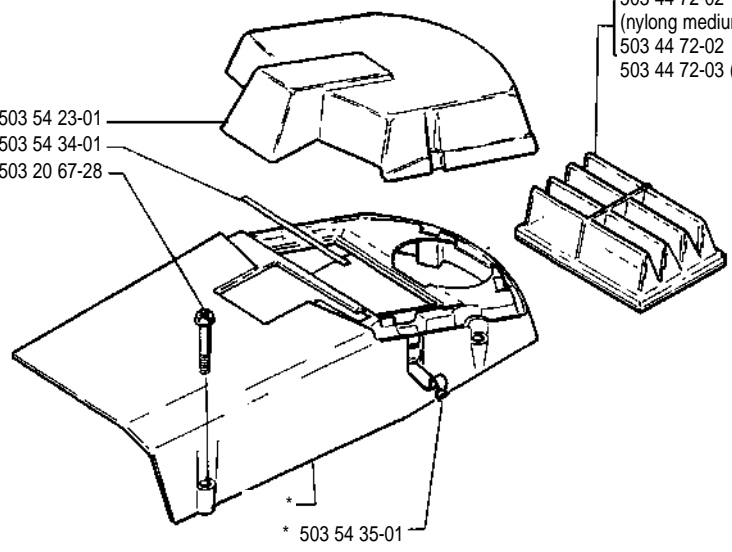


**B**

\* compl 503 54 21-01

- \* 503 54 23-01
- \* 503 54 34-01
- \* 503 20 67-28

- 503 44 72-01  
(nylon medium mesh)
- 503 44 72-02  
(nylong medium mesh)
- 503 44 72-02
- 503 44 72-03 (NW)



\* 503 54 35-01

**C**

\* compl 503 54 11-71

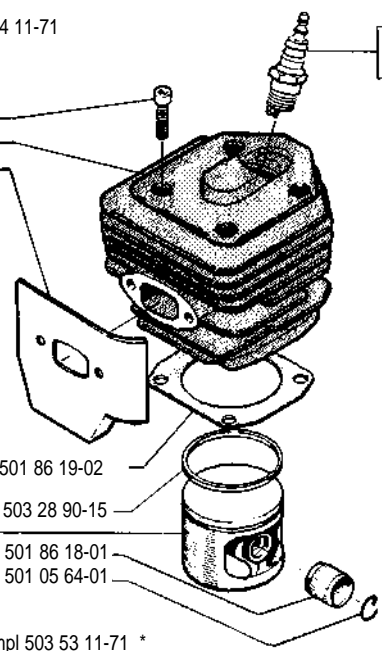
- \* 725 53 31-55
- \* 503 54 59-01

503 23 51-08

Ⓛ compl 501 86 19-02

- \* 503 28 90-15
- \* 501 86 18-01
- \* 501 05 64-01

compl 503 53 11-71 \*



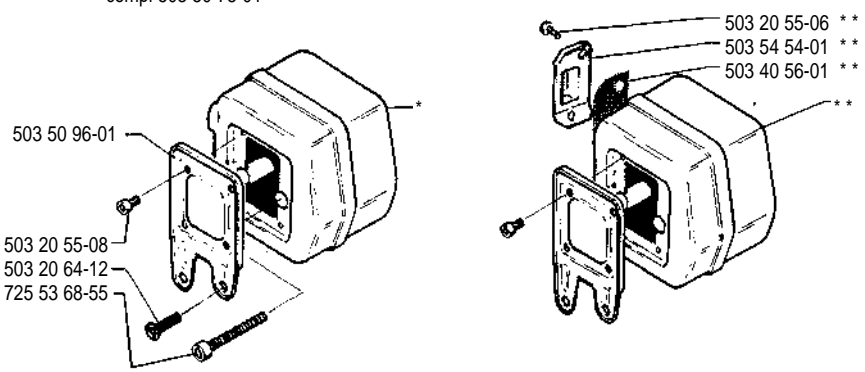
**F**

\* compl 503 50 78-01

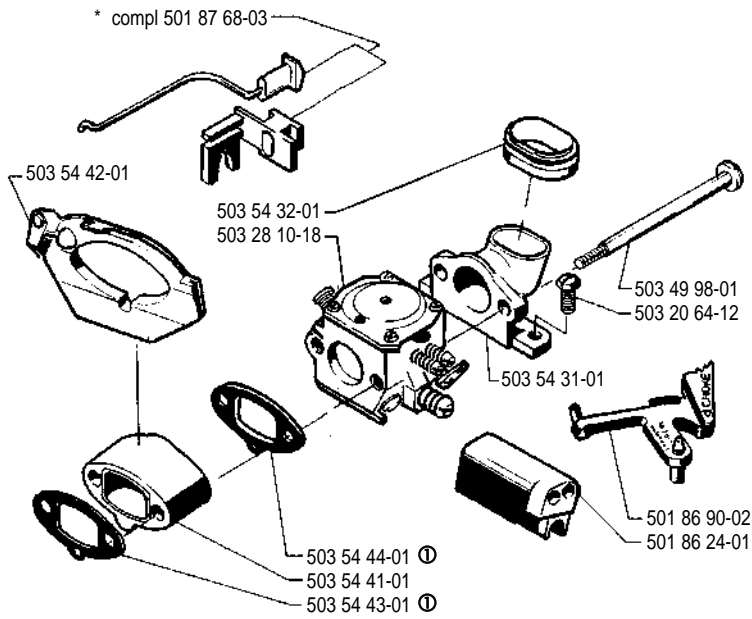
\*\* compl 503 50 79-01 (FF)

- \* 503 50 96-01
- \* 503 20 55-08
- \* 503 20 64-12
- \* 725 53 68-55

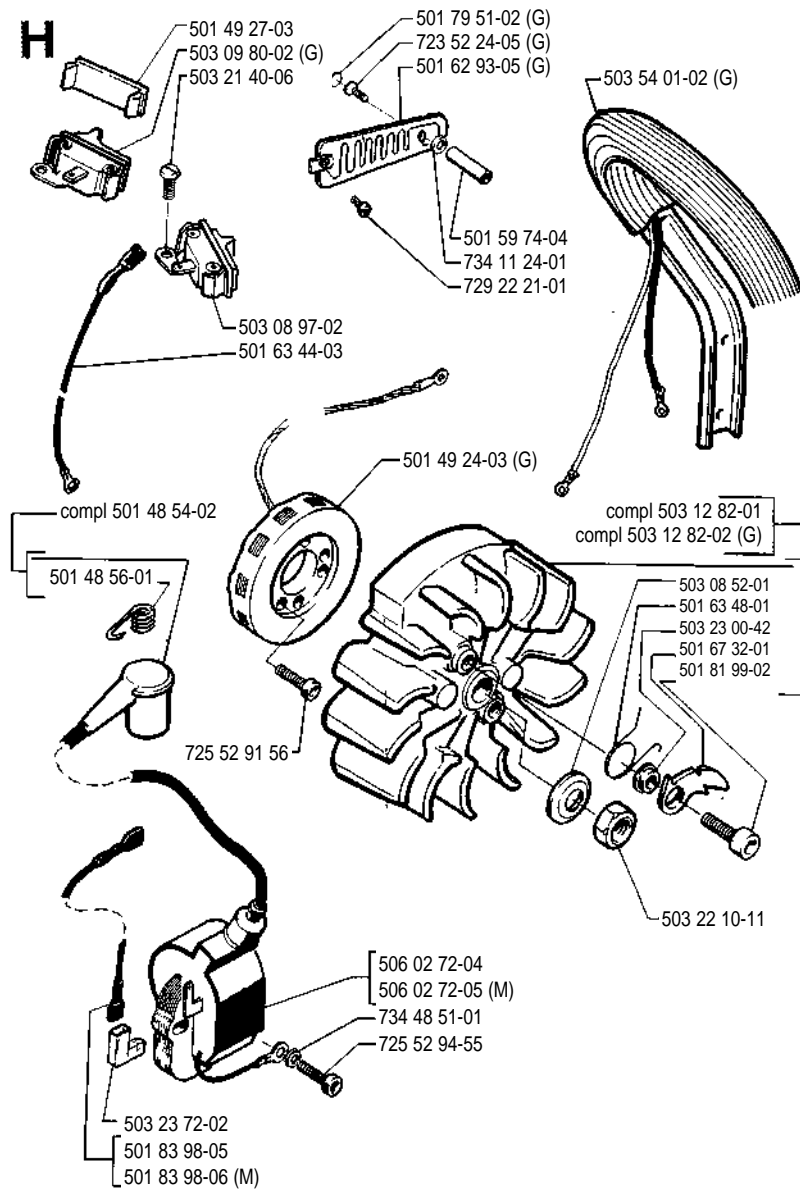
- 503 20 55-06 \*\*
- 503 54 54-01 \*\*
- 503 40 56-01 \*\*

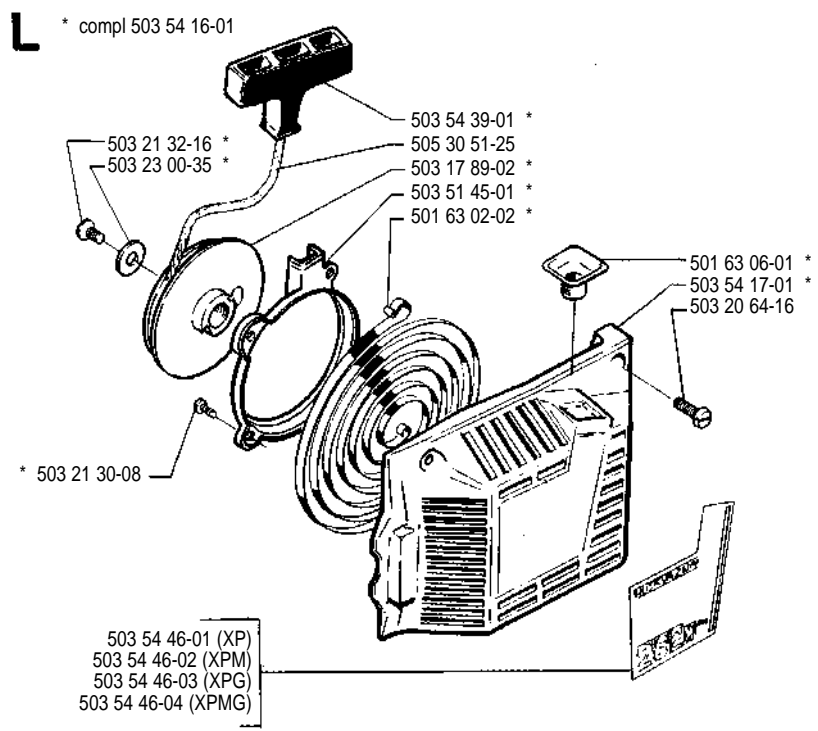
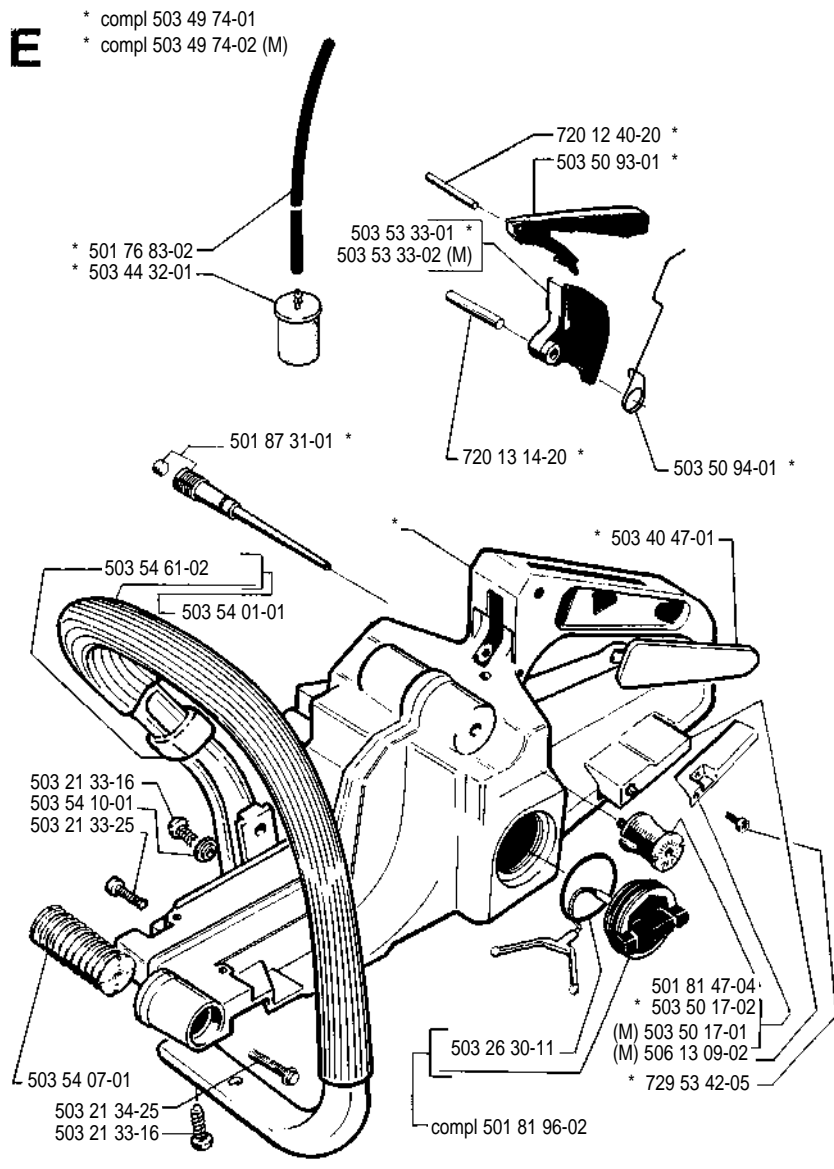


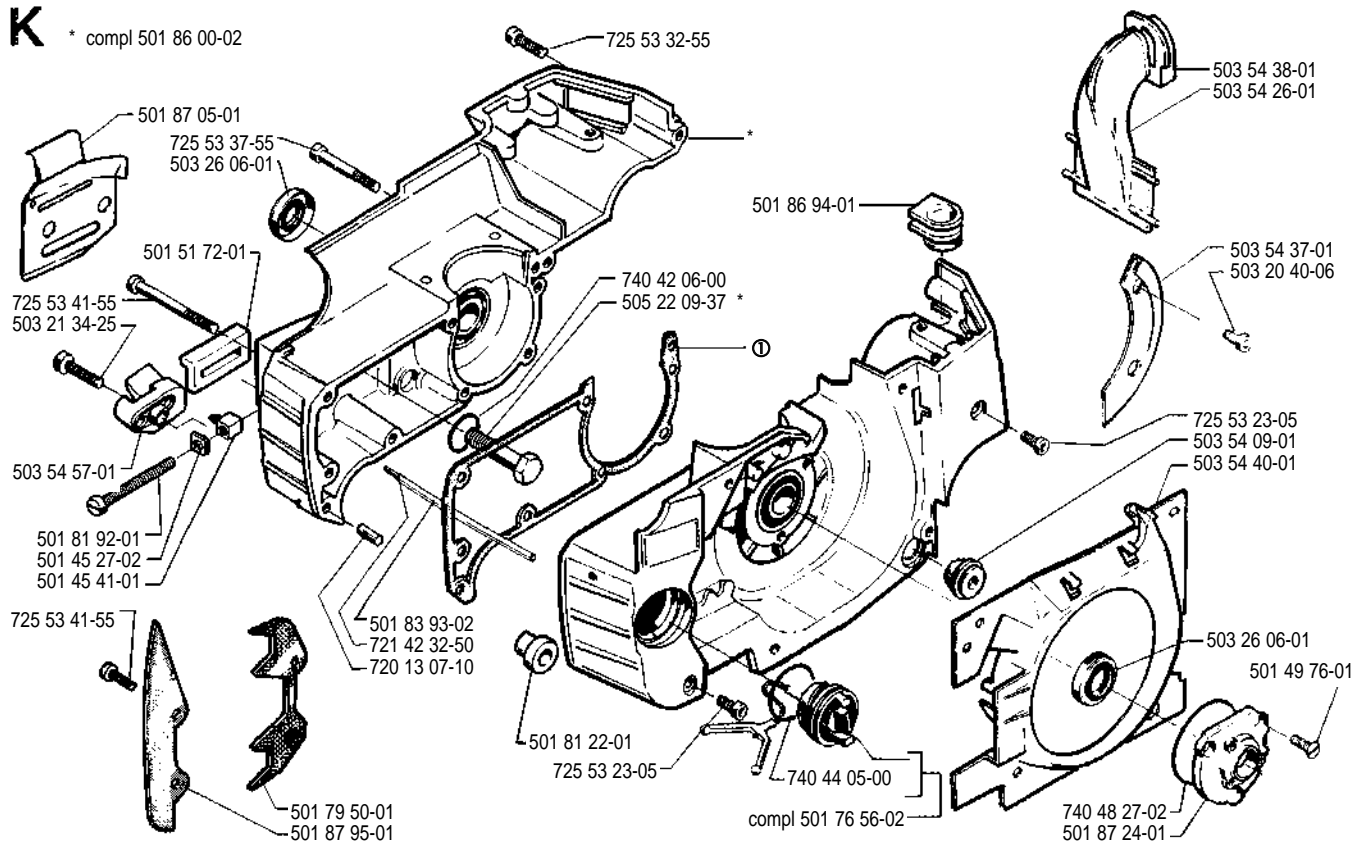
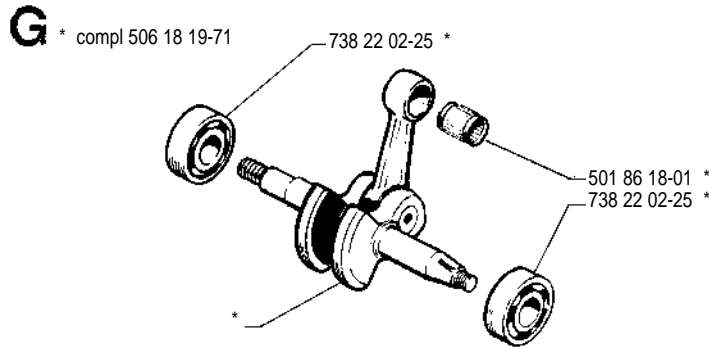
**D**



**H**



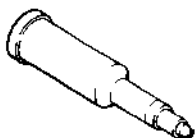




**N**

\* compl 501 67 33-02

**Accessories**  
**Zubehöre**  
**Accessories**  
**Accessorios**  
**Tillbehör**



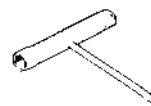
\* 501 91 14-01



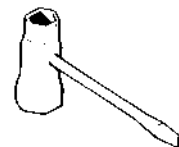
\* 503 08 54-01



\* 501 60 02-02



\* 501 68 89-01



\* 501 69 17-01

**M** \* compl 503 28 10-18

**Walbro HDA-87**

