

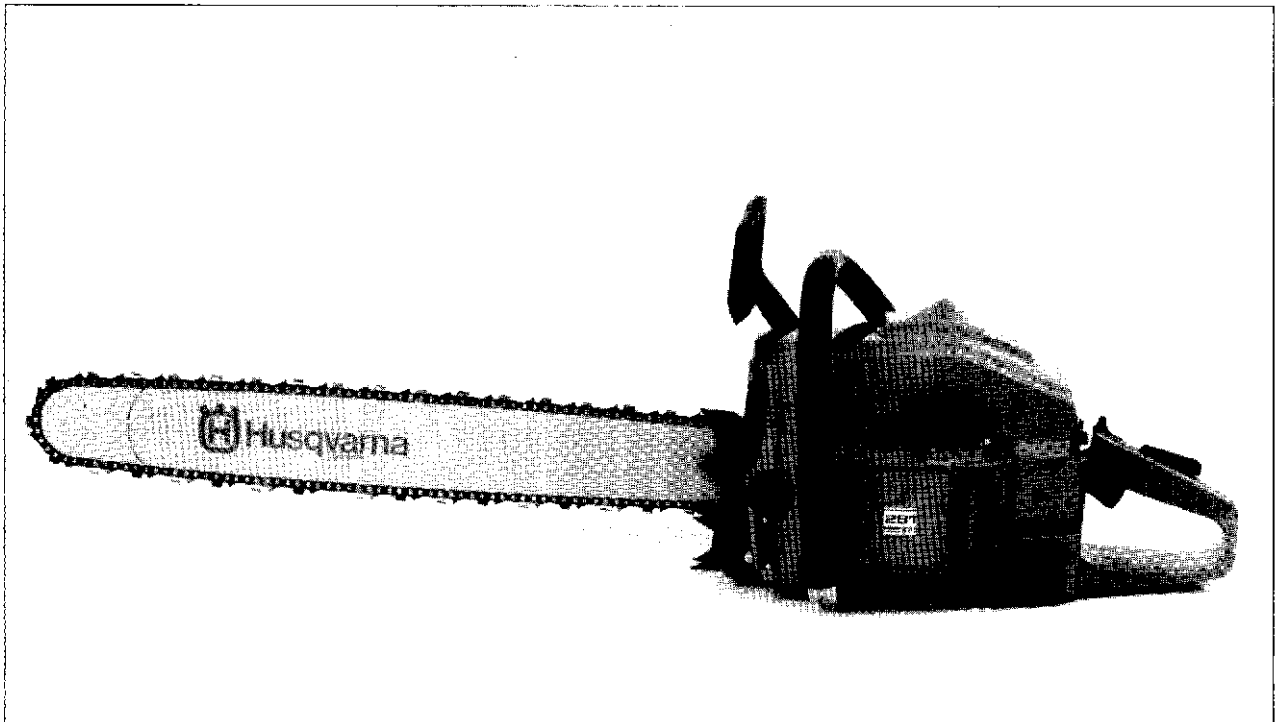


For Husqvarna Parts Call 606-678-9623 or 606-561-4983

 **Husqvarna**

| | | |
|--|--|----------------------|
| SERVICE  |  | 8 X 89.109 |
|--|--|----------------------|

281/288



1. 1989

Spare parts

Ersatzteile

Pièces détachées

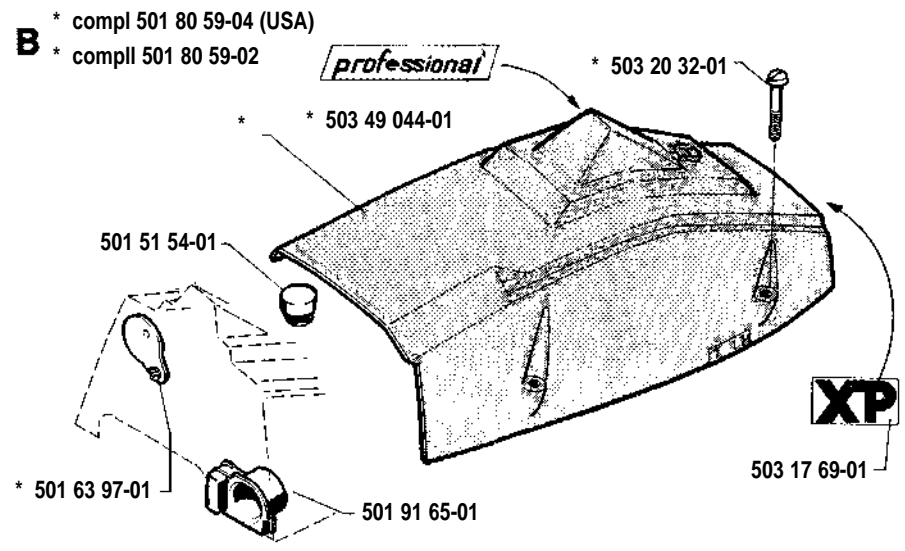
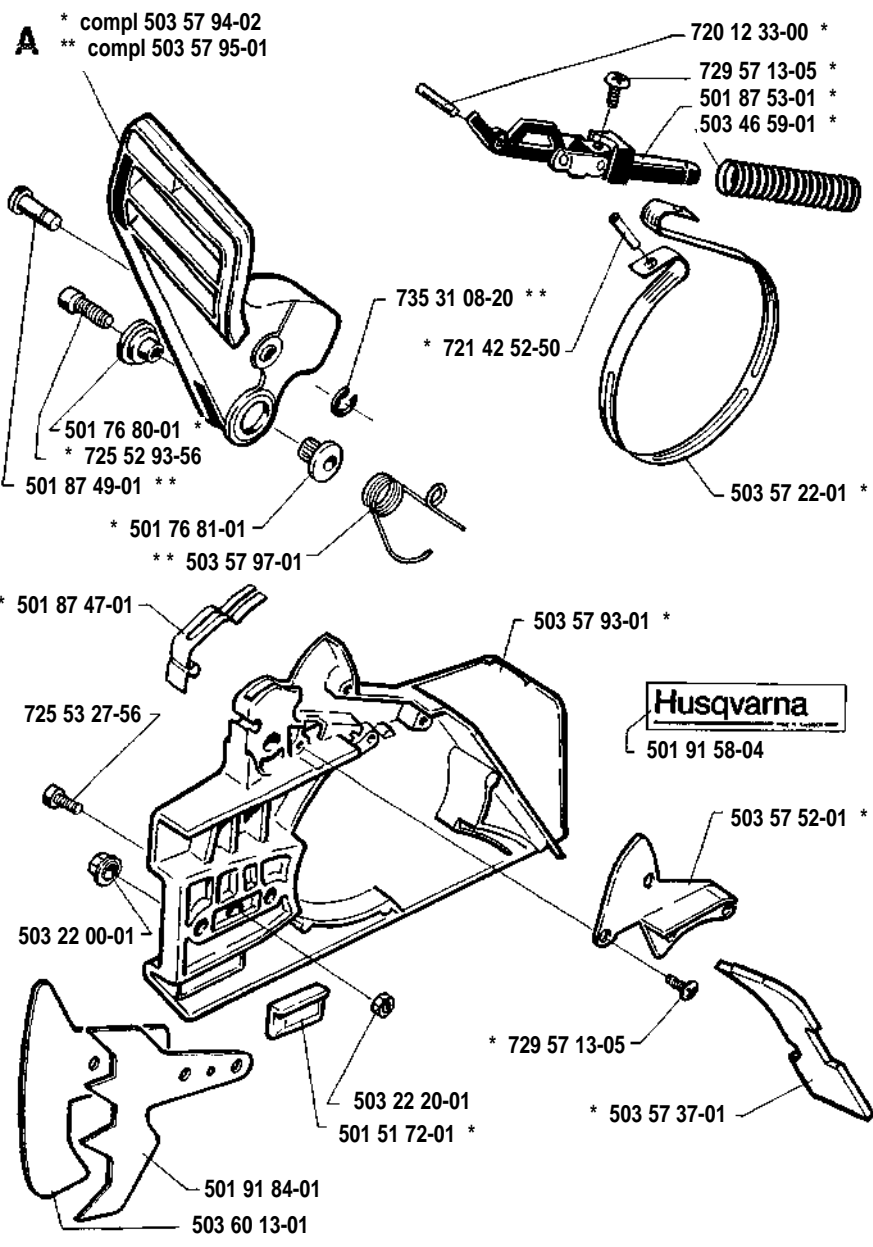
Repuestos

Reservdelar

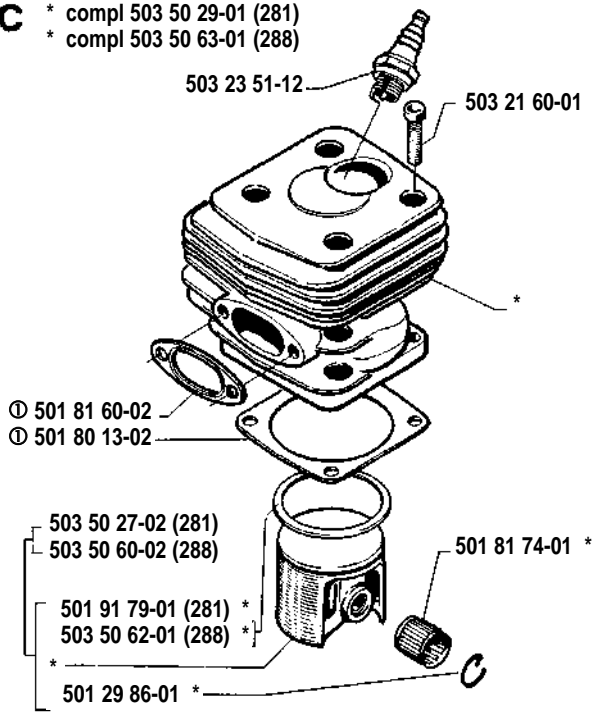
| Ref.-No. Teil-Nr. N° de réf. Ref. nr. | Square Viereck Carreau Cuadro Ruta | Remark Vermerk Notes Observ. Anm. | Ref.-No. Teil-Nr. N° de réf. Ref. nr. | Square Viereck Carreau Cuadro Ruta | Remark Vermerk Notes Observ. Anm. | Ref.-Nr Teil-Nr. N° de réf. Ref. nr. | Square Viereck Carreau Cuadro Ruta | Remark Vermerk Notes Observ. Anm. |
|--|--|---|--|--|---|---|--|---|
| 501 19 22-01 | P | | 501 76 80-01 | A | (N) | 503 20 32-01 | B | |
| 501 20 15-02 | M | | 501 76 81-01 | A | (N) | 503 20 40-06 | M | |
| 501 22 00-01 | N | | 501 79 51-02 | L | (N) | 503 20 80-06 | D | |
| 501 22 01-01 | N | | 501 80 03-06 | K | | 503 21 14-09 | E | |
| 501 22 02-01 | N | | 501 80 13-02 | C | (I) | 503 21 14-10 | F | |
| 503 22 03-01 | N | | 501 80 19-02 | K | | 503 21 21-01 | F | |
| 501 22 04-01 | N | | 501 80 22-01 | L | | 503 21 60-01 | C | |
| 501 22 05-01 | N | | 501 80 22-02 | L | | 503 21 90-08 | F | (N) |
| 501 22 08-01 | N | (2) | 501 80 24-02 | L | | 503 22 00-01 | A | |
| 501 22 09-01 | N | (2) | 501 80 25-01 | J | | 503 22 10-02 | L | |
| 501 22 12-01 | N | (2) | 501 80 30-01 | J | | 503 22 20-01 | A | (N) |
| 501 22 13-01 | N | (2) | 501 80 59-02 | B | | 503 22 65-01 | E | |
| 501 22 14-01 | N | | 501 80 59-04 | B | | 503 23 00-01 | L | |
| 501 22 15-01 | N | | 501 80 62-01 | D | | 503 23 00-14 | J | |
| 501 22 17-01 | N | | 501 80 66-02 | D | | 503 23 00-19 | J | |
| 501 22 20-01 | N | | 501 80 68-02 | D | (I) | 503 23 00-42 | L | |
| 501 22 21-01 | N | | 501 80 69-01 | D | | 503 23 10-02 | J | |
| 501 22 22-01 | N | | 501 80 71-01 | D | | 503 23 43-02 | M | |
| 501 22 24-01 | N | | 501 80 71-04 | D | (N) | 503 23 51-12 | C | |
| 501 22 25-01 | N | | 501 80 71-05 | D | (N) | 503 25 00-02 | H | |
| 501 22 30-01 | N | | 501 80 75-05 | E | (N) | 503 25 30-01 | J | |
| 501 23 88-01 | N | | 501 80 75-06 | L | (N) | 503 26 02-05 | J, K | |
| 501 26 85-01 | N | | 501 80 91-05 | E | (N) | 503 40 56-01 | F | |
| 501 26 89-01 | N | | 501 81 00-06 | M | (N) | 503 41 73-03 | E | (N) |
| 501 26 90-01 | N | | 501 81 01-05 | M | (N) | 503 41 79-01 | E | |
| 501 27 13-02 | K | | 501 81 18-01 | D | | 503 44 32-01 | E | |
| 501 27 74-01 | J | | 501 81 26-01 | K | | 503 44 44-01 | K | (N) |
| 501 28 41-01 | J | | 501 81 27-02 | L | | 503 45 01-02 | M | |
| 501 28 85-01 | J | | 501 81 28-01 | L | | 503 45 02-02 | M | |
| 501 29 27-02 | J | | 501 81 34-02 | | (I) Compl. | 503 46 59-01 | A | (N) |
| 501 29 33-01 | J | | 501 81 44-01 | N | | 503 48 63-01 | N | |
| 501 29 37-01 | J | | 501 81 47-01 | E | | 503 49 04-01 | B | |
| 501 29 39-02 | J | | 501 81 47-02 | E | | 503 49 50-01 | J | |
| 501 29 64-02 | D | (I) | 501 81 48-01 | K | | 503 50 27-02 | C | |
| 501 29 65-01 | K | | 501 81 49-01 | H | | 503 50 29-01 | C | |
| 501 29 66-01 | K | | 501 81 56-01 | D | | 503 50 60-02 | C | |
| 501 29 86-01 | C | | 501 81 57-01 | K | | 503 50 62-01 | C | |
| 501 30 65-01 | K | | 501 81 58-01 | N | | 503 50 63-01 | C | |
| 501 42 65-02 | E | | 501 81 60-02 | C | (I) | 503 50 65-01 | K | |
| 501 42 71-01 | N | | 501 81 68-01 | G | | 503 53 36-01 | N | (N) |
| 501 46 67-01 | N | | 501 81 68-02 | G | | 503 56 04-01 | J | |
| 501 48 50-01 | N | | 501 81 74-01 | C, H | | 503 57 22-01 | A | (N) |
| 501 48 54-02 | L | | 501 81 75-02 | E | (N) | 503 57 37-01 | A | (N) |
| 501 49 48-02 | | (2) Compl. | 501 81 79-01 | F, G | | 503 57 52-01 | A | (N) |
| 501 51 54-01 | B | | 501 81 90-01 | N | | 503 57 93-01 | A | (N) |
| 501 51 72-01 | A, K | | 501 81 96-02 | E, K | (N) | 503 57 94-02 | A | (N) |
| 501 51 73-01 | K | | 501 81 99-02 | L | | 503 57 95-01 | A | (N) |
| 501 51 97-01 | E | | 501 82 18-01 | N | | 503 57 97-01 | A | (N) |
| 501 51 99-01 | J | | 501 83 94-01 | K | | 503 59 15-01 | F | (N) |
| 501 52 04-02 | M | | 501 83 97-02 | L | | 503 59 18-01 | S | (N) |
| 501 52 66-02 | L | | 501 83 98-03 | L | | 503 59 53-01 | S | (N) |
| 501 52 78-01 | K | | 501 87 47-01 | A | (N) | 503 59 54-01 | S | (N) |
| 501 52 79-02 | K | (N) | 501 87 49-01 | A | (N) | 503 60 12-01 | K | (N) |
| 501 52 88-01 | E | | 501 87 53-01 | A | (N) | 503 60 13-01 | A | (N) |
| 501 52 95-02 | M | | 501 91 14-01 | P | | 504 86 00-05 | N | (N) |
| 501 53 71-01 | K | | 501 91 18-02 | D, N | | 720 12 33-00 | A | (N) |
| 501 54 02-01 | J | | 501 91 58-04 | A | | 720 13 07-10 | K | |
| 501 54 41-02 | J | | 501 91 65-01 | B | | 721 42 03-25 | J | |
| 501 54 48-01 | J | | 501 91 66-02 | E | (N) | 721 42 12-26 | E | |
| 501 55 10-01 | K | | 501 91 67-01 | K | | 721 42 52-50 | A | |
| 501 55 14-02 | M | (N) | 501 91 70-01 | E | | 723 23 25-85 | D | |
| 501 56 79-01 | E | | 501 91 79-01 | C | | 723 23 29-85 | M | |
| 501 57 61-01 | N | | 501 91 81-01 | K | | 723 52 24-05 | E, L | |
| 501 59 74-01 | E, L | | 501 91 84-01 | A | | 725 52 92-06 | L | |
| 501 59 77-02 | J | | 501 91 86-01 | N | | 725 52 93-56 | A | |
| 501 59 80-02 | J | | 501 91 89-02 | E | | 725 52 95-56 | J | |
| 501 59 82-01 | J | | 502 01 22-01 | N | | 725 53 27-56 | A, E, K | (N) |
| 501 60 02-02 | P | | 503 07 83-01 | F | | 725 53 29-55 | K | |
| 501 62 89-05 | E | | 503 07 91-01 | M | | 725 53 29-56 | L | |
| 501 62 93-05 | L | (N) | 503 07 92-01 | M | | 725 53 30-55 | E | |
| 501 62 96-01 | E | | 503 08 54-01 | P | | 725 53 37-55 | K | |
| 501 63 06-01 | M | | 503 08 97-02 | L | | 725 53 42-55 | K | |
| 501 63 97-01 | B | | 503 10 24-01 | M | | 729 22 21-01 | L | |
| 501 67 32-01 | L | | 503 14 21-06 | E | (N) | 729 22 75-05 | M, L | |
| 501 67 33-02 | P | | 503 17 69-01 | B | | 729 57 13-05 | A | (N) |
| 501 67 35-01 | L | | 503 17 81-01 | R | | 735 11 73-50 | L | |
| 501 67 52-03 | J | | 503 20 00-01 | K | | 735 31 08-20 | A | (N) |
| 501 68 68-01 | K | | 503 20 00-04 | F, G | | 735 88 06-00 | H | |
| 501 68 89-01 | P | | 503 20 00-27 | F, G | | 740 42 01-00 | J | |
| 501 69 11-01 | N | | 503 20 21-13 | D | | 740 42 24-00 | J | |
| 501 69 17-01 | P | | 503 20 30-02 | L | | 740 44 07-00 | E, K | |

(I) = 501 81 34-02
Set of gaskets
Dichtungssatz
Jeu de joints
Juego de juntas
Packningssats

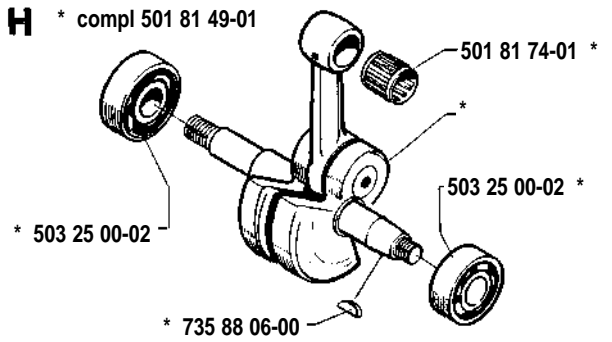
(N) = Newpart
Neues Teil
Nouvelle pièce
Nueva pieza
Ny del.



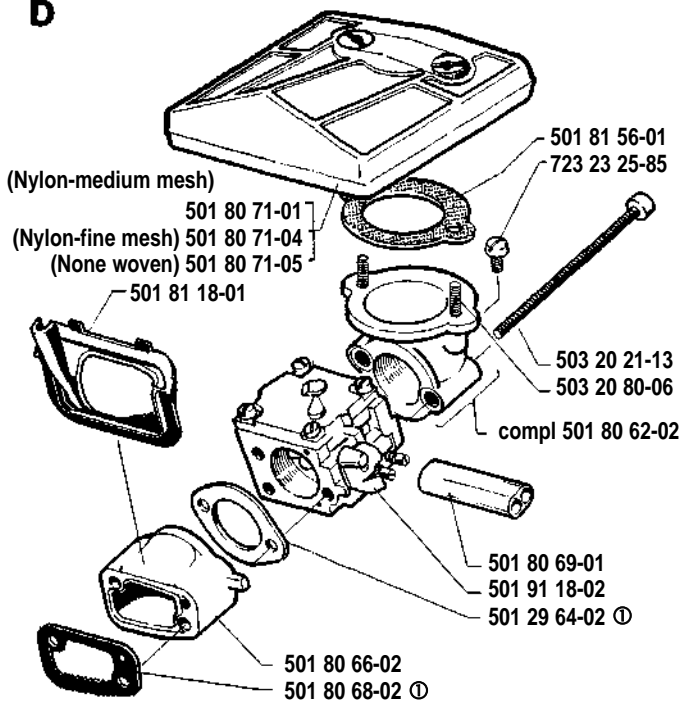
C * compl 503 50 29-01 (281)
* compl 503 50 63-01 (288)



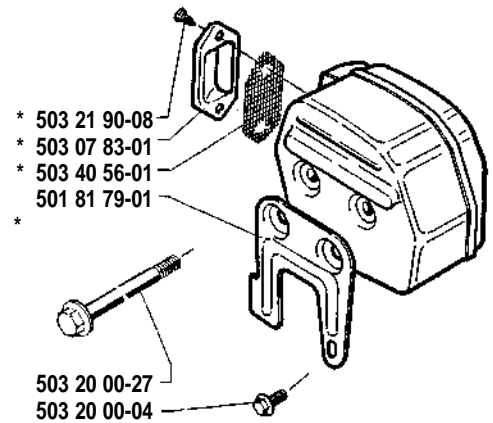
H * compl 501 81 49-01



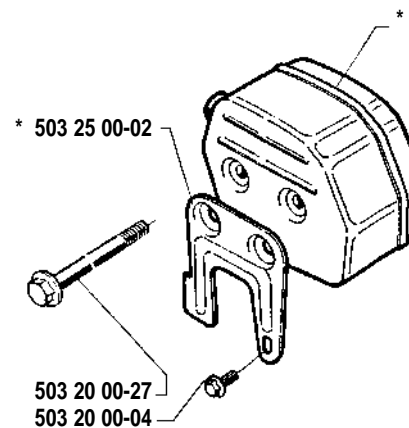
D

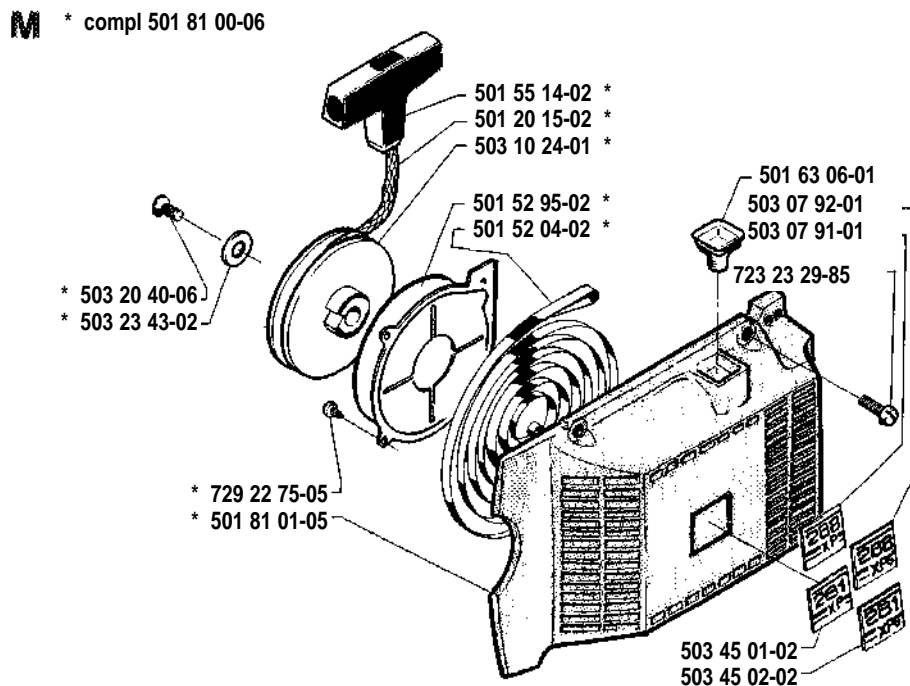
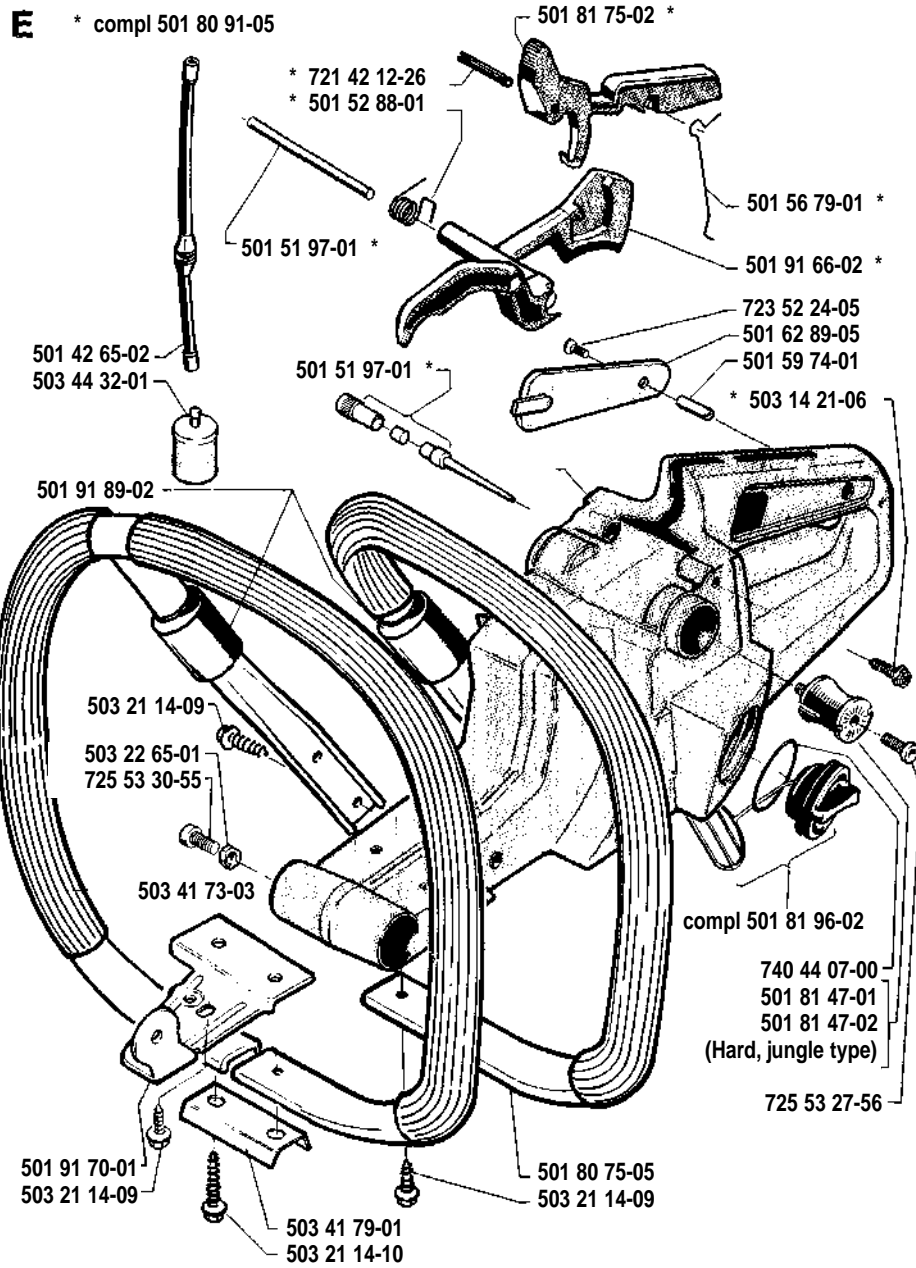


F * compl 503 59 15-01 (SA)

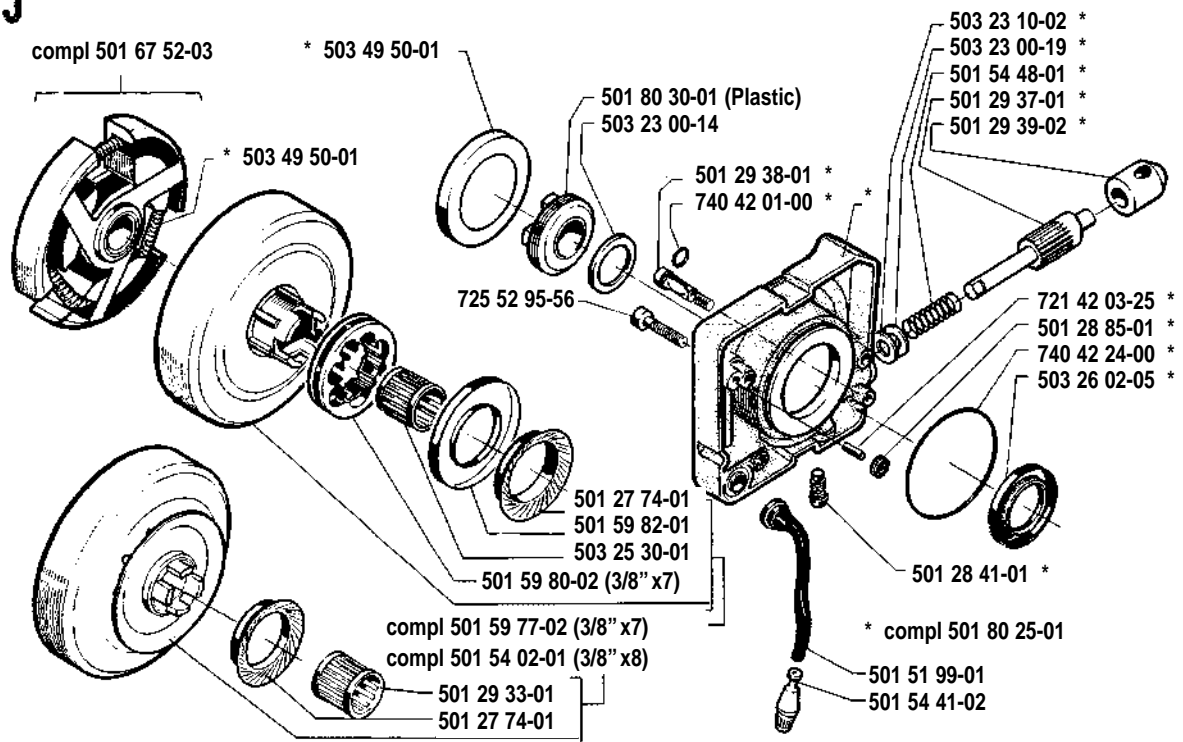


G compl 501 81 68-01 (Tube)
compl 501 81 68-02 (Jungle)

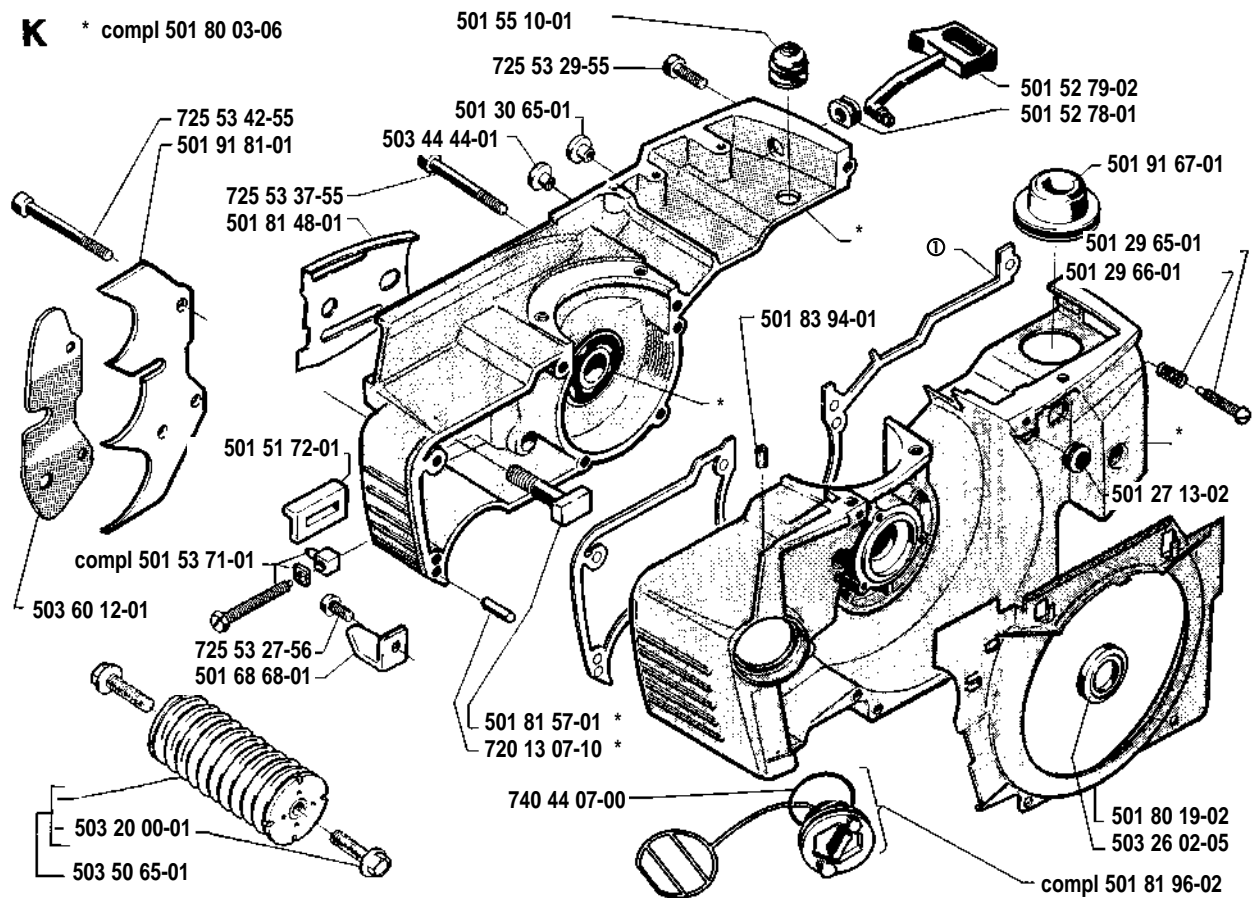


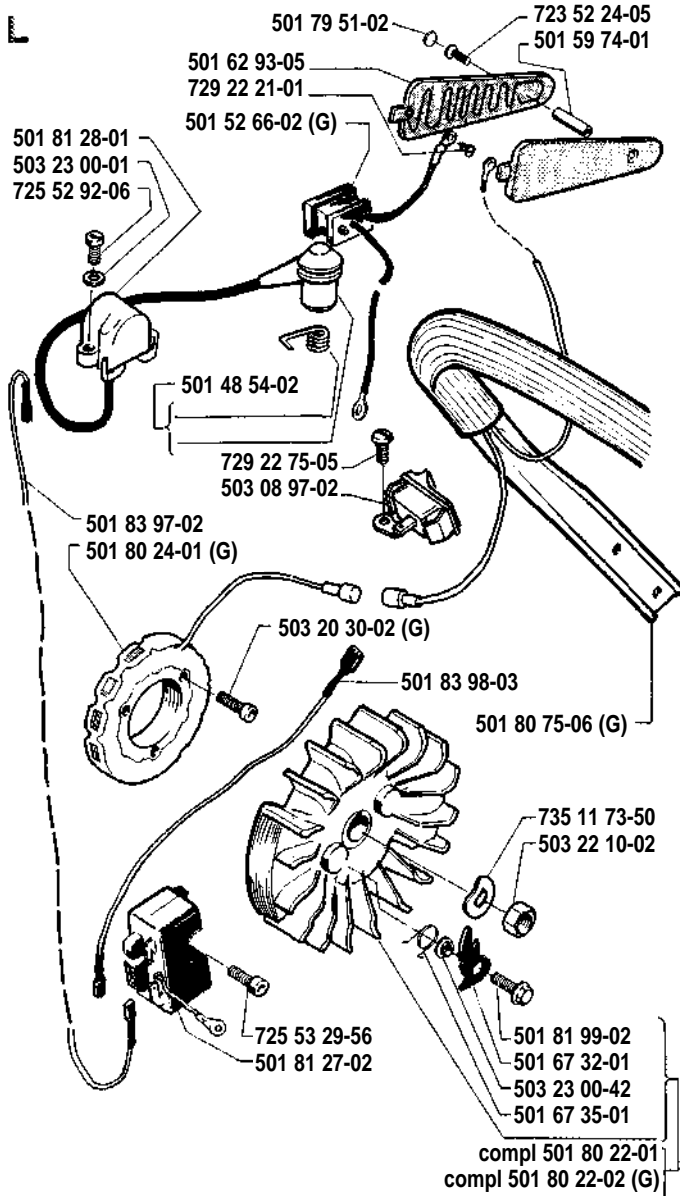


J



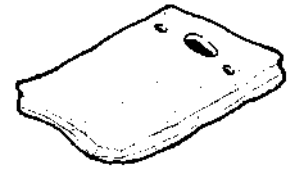
K





R

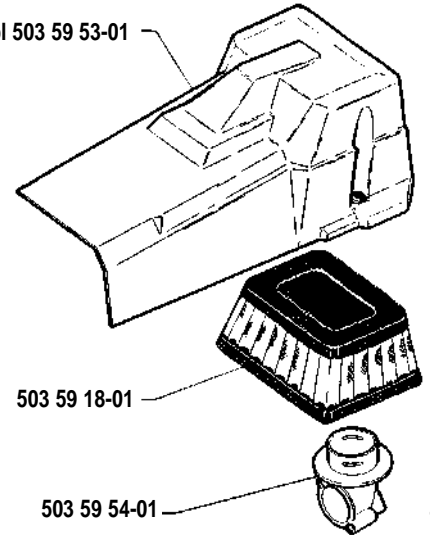
503 17 81-01



Leveras endast som reservdel
Delivery as spare part only
Nur als Ersatzteil lieferbar
Livrabl seulement comme pièce de rechange
Solo como repuesto
Zasílá se jenom jako náhradní díl

S

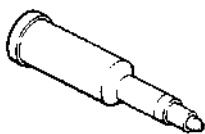
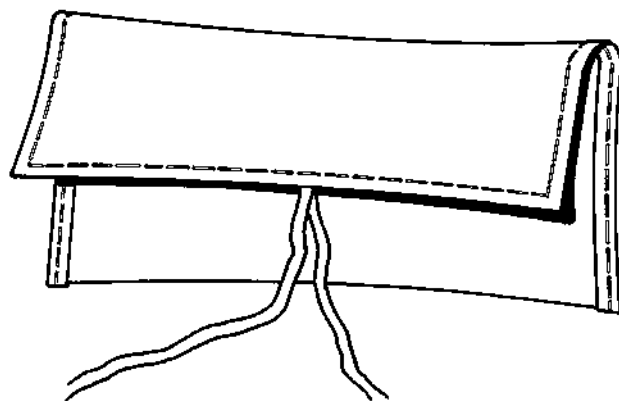
compl 503 59 53-01



P * compl 501 67 33-02

**Tillbehör
Accessories
Accessoires
Zubehöre**

* 501 19 22-01



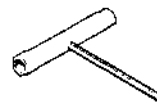
* 501 91 14-01



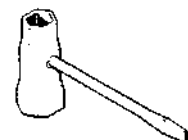
* 503 08 54-01



* 501 60 02-02



* 501 68 89-01



* 501 69 17-01

N * compl 501 91 18-02

Tillotson HS 228 A

