



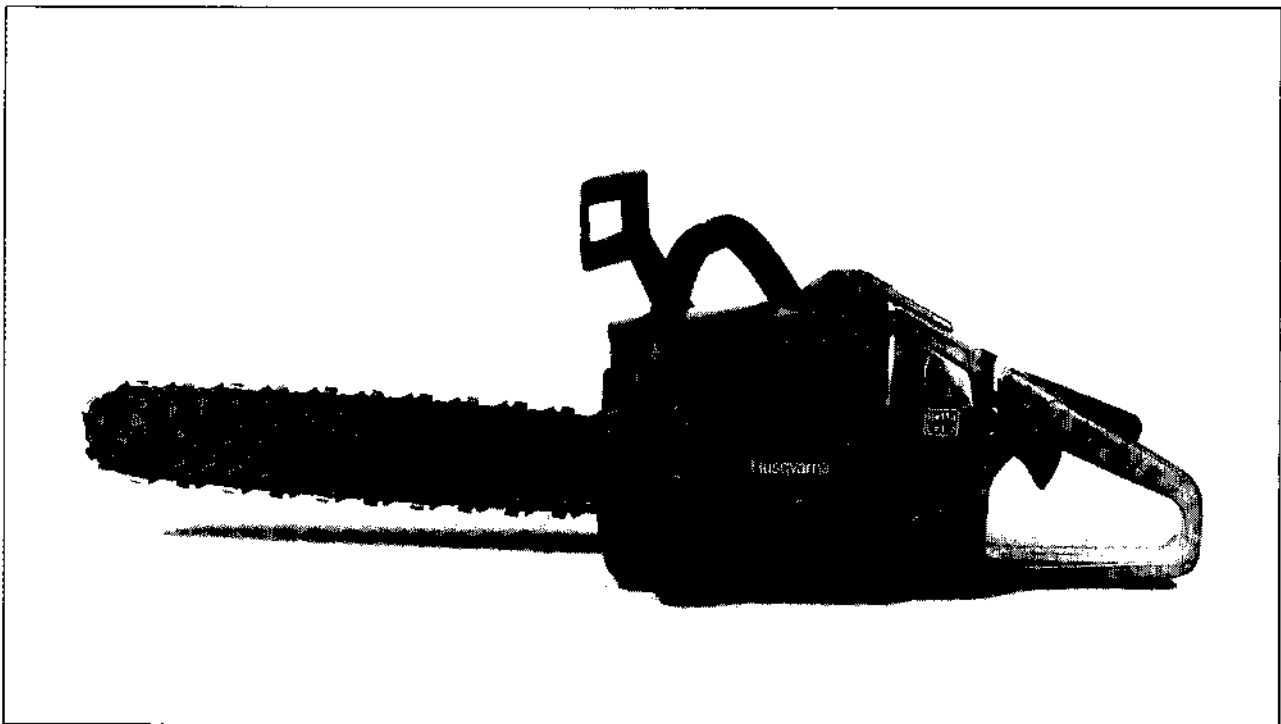
SERVICE



6

SX 87.103

254



1. 1987

Reservdelar

Spare parts

Ersatzteile

Pièces de rechange

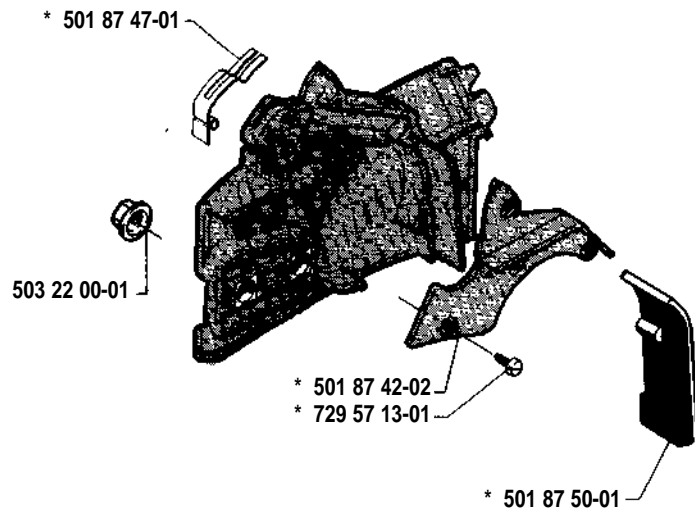
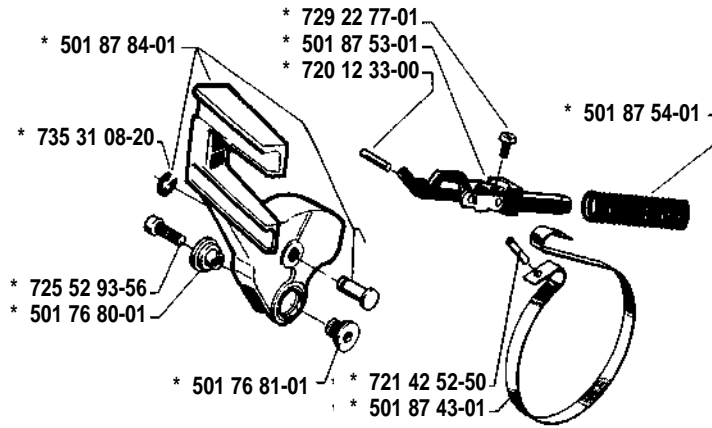
| Beställn.-nummer Part number Best. Nr No de commande Varaosä n:ro | Ruta Box Viereck Carreau Index | Anm. Remarks Anm. Notes Huom | Beställn.-nummer Part number Best. Nr No de commande Varaosä n:ro | Ruta Box Viereck Carreau Index | Anm. Remarks Anm. Notes Huom | Beställn.-nummer Part number Best. nr No de commande Varaosä n:ro | Ruta Box Viereck Carreau Index | Anm. Remarks Anm. Notes Huom |
|---|--|--|---|--|--|---|--|--|
| 501 05 64-01 | C | | 501 86 18-01 | C, G | | 503 17 12-01 | C | |
| 501 45 27-01 | K | | 501 86 19-01 | C | ① | 503 17 36-01 | D, M | |
| 501 45 41-01 | K | | 501 86 20-01 | D | | 503 17 63-01 | M | |
| 501 45 54-03 | J | Ⓝ | 501 86 21-01 | D | ① | 503 17 71-01 | M | |
| 501 45 61-01 | J | Ⓝ | 501 86 24-01 | D | | 503 17 89-01 | L | |
| 501 45 74-02 | J | | 501 86 25-01 | D | ① | 503 20 00-03 | F | |
| 501 46 69-01 | M | | 501 86 41-01 | J | | 503 20 00-13 | F | |
| 501 46 84-01 | M | | 501 86 42-01 | D | | 503 20 31-03 | D | |
| 501 46 85-01 | M | | 501 86 50-01 | F | | 503 20 32-01 | B | |
| 501 46 86-01 | M | | 501 86 60-02 | C | ① | 503 20 32-02 | D | |
| 501 46 87-01 | M | | 501 86 69-01 | J | | 503 21 14-02 | E | Ⓝ |
| 501 46 96-01 | M | | 501 86 70-01 | E | | 503 21 14-06 | E | Ⓝ |
| 501 46 97-01 | M | | 501 86 70-02 | E | | 503 21 16-01 | L | |
| 501 48 54-01 | H | | 501 86 71-01 | C | | 503 21 21-01 | F | |
| 501 48 56-01 | H | | 501 86 72-02 | E | | 503 22 00-01 | A | |
| 501 49 24-03 | H | | 501 86 74-02 | K | | 503 22 10-11 | H | |
| 501 49 27-03 | H | | 501 86 75-03 | L | | 503 23 00-01 | J | |
| 501 49 76-01 | K | | 501 86 76-03 | L | | 503 23 00-04 | J | |
| 501 51 54-01 | B | | 501 86 79-01 | L | | 503 23 00-42 | H | Ⓝ |
| 501 51 72-01 | K | | 501 86 90-01 | D | | 503 23 41-01 | L | |
| 501 54 41-02 | J | | 501 86 95-02 | B | | 503 23 51-12 | C | Ⓝ |
| 501 55 14-01 | L | | 501 86 95-07 | O | Ⓝ | 503 23 72-02 | H | |
| 501 59 74-01 | H | | 501 87 05-01 | K | | 503 25 34-01 | J | Ⓝ |
| 501 60 02-02 | N | | 501 87 17-01 | D | | 503 26 06-01 | K | Ⓝ |
| 501 61 58-01 | J | | 501 87 21-01 | J | | 503 26 30-11 | E | Ⓝ |
| 501 62 43-01 | J | | 501 87 23-01 | J | | 503 40 47-01 | E | |
| 501 62 93-03 | H | | 501 87 24-01 | K | | 503 41 62-01 | O | Ⓝ |
| 501 63 02-02 | L | | 501 87 29-01 | E | | 503 44 03-01 | D | |
| 501 63 06-01 | L | | 501 87 29-02 | H | | 503 44 13-01 | C | |
| 501 63 44-01 | H | | 501 87 31-01 | E | | 503 44 99-01 | L | |
| 501 63 48-01 | H | | 501 87 32-01 | B | | 503 45 00-01 | L | |
| 501 63 97-01 | B | | 501 87 38-02 | K | | 503 48 64-01 | L | Ⓝ |
| 501 66 49-01 | J | | 501 87 40-02 | A | | 504 10 00-10 | M | |
| 501 66 61-01 | M | | 501 87 42-02 | A | | 504 10 00-11 | M | |
| 501 66 62-01 | M | | 501 87 43-01 | A | | 504 52 30-02 | J | |
| 501 66 68-01 | M | | 501 87 47-01 | A | | 505 22 09-37 | K | |
| 501 66 69-01 | M | ② | 501 87 49-01 | A | | 505 30 36-94 | J | |
| 501 66 70-01 | M | ② | 501 87 50-01 | A | | 505 30 51-25 | L | |
| 501 66 72-01 | M | ② | 501 87 53-01 | A | | 505 31 67-17 | M | Ⓝ |
| 501 66 73-01 | M | ② | 501 87 54-01 | A | | 505 52 01-25 | M | |
| 501 66 76-01 | M | | 501 87 57-01 | M | | 506 02 72-03 | H | Ⓝ |
| 501 66 77-01 | M | | 501 87 58-01 | M | | 720 12 33-00 | A | |
| 501 66 78-01 | M | | 501 87 62-01 | M | | 720 12 40-20 | E | |
| 501 66 83-01 | M | | 501 87 64-01 | M | | 720 13 07-10 | K | |
| 501 66 84-01 | M | ② | 501 87 65-01 | J | Ⓝ | 720 13 14-20 | E | |
| 501 67 32-01 | H | | 501 87 68-01 | D | | 721 42 32-50 | K | |
| 501 67 33-02 | N | | 501 87 69-01 | G | | 721 42 52-50 | A | |
| 501 68 89-01 | N | | 501 87 77-01 | E | | 723 23 28-85 | L | |
| 501 69 17-01 | N | | 501 87 84-01 | A | | 723 52 24-01 | H | |
| 501 76 13-05 | E | | 501 87 89-01 | M | | 725 52 91-56 | H | |
| 501 76 56-01 | K | | 501 87 95-01 | K | | 725 52 92-06 | J | |
| 501 76 80-01 | A | | 501 87 96-01 | | | 725 52 93-56 | A | |
| 501 76 81-01 | A | | 501 87 97-01 | D | | 725 52 94-55 | H | |
| 501 76 83-02 | E | | 501 87 97-02 | D | | 725 53 23-05 | K | |
| 501 79 50-01 | K | | 501 87 97-03 | O | Ⓝ | 725 53 30-55 | K | |
| 501 79 51-01 | H | | 501 91 14-01 | N | Ⓝ | 725 53 31-55 | C | |
| 501 79 59-01 | M | Ⓝ | 503 08 12-01 | F | | 725 53 32-55 | K | |
| 501 79 84-01 | F | | 503 08 20-01 | M | | 725 53 37-55 | K | |
| 501 79 90-01 | F | | 503 08 46-01 | E | | 725 53 41-55 | K | |
| 501 79 91-01 | F | | 503 08 52-01 | H | | 729 22 21-01 | H | |
| 501 79 96-01 | M | | 503 08 54-01 | N | Ⓝ | 729 22 21-01 | J, H | |
| 501 80 98-01 | E, K | | 503 08 78-04 | C | Ⓝ | 729 22 23-01 | L | |
| 501 81 92-01 | K | Ⓝ | 503 08 97-01 | H | | 729 22 75-05 | H | |
| 501 81 98-01 | E | | 503 09 79-01 | E | | 729 22 77-01 | A | |
| 501 81 99-02 | H | | 503 09 80-01 | H | | 729 57 13-01 | A | |
| 501 83 29-01 | M | | 503 10 87-01 | M | | 735 31 08-20 | A | |
| 501 83 93-02 | K | | 503 12 82-01 | H | | 738 22 02-25 | G | |
| 501 83 98-01 | H | | 503 12 82-02 | H | | 740 44 05-00 | K | |
| 501 86 00-02 | K | | 503 16 66-01 | J | | 740 48 27-02 | K | |
| 501 86 03-01 | K | | 503 16 73-01 | J | | | | |

* compl 501 87 40-02

Packningssats
Set of gaskets
Dichtungssatz
Jeu de joints
Tiivistesj

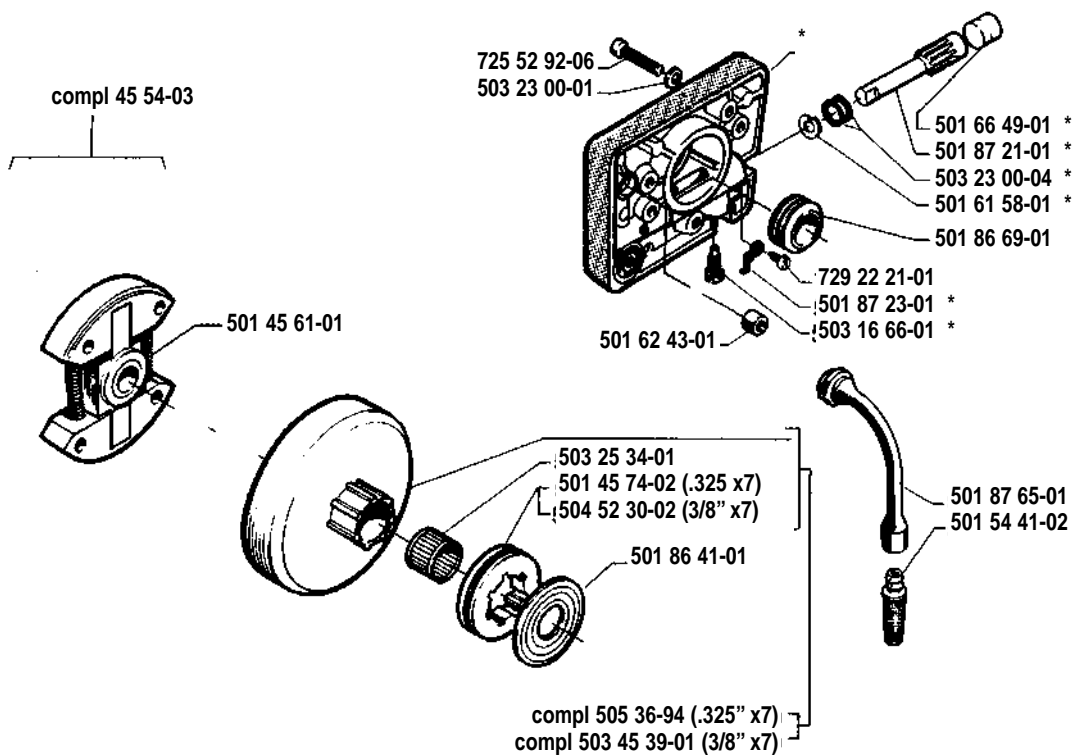
Ⓝ = Ny det.
New part.
Neues Teil.
Nouvelle pièce
Nueva pieza

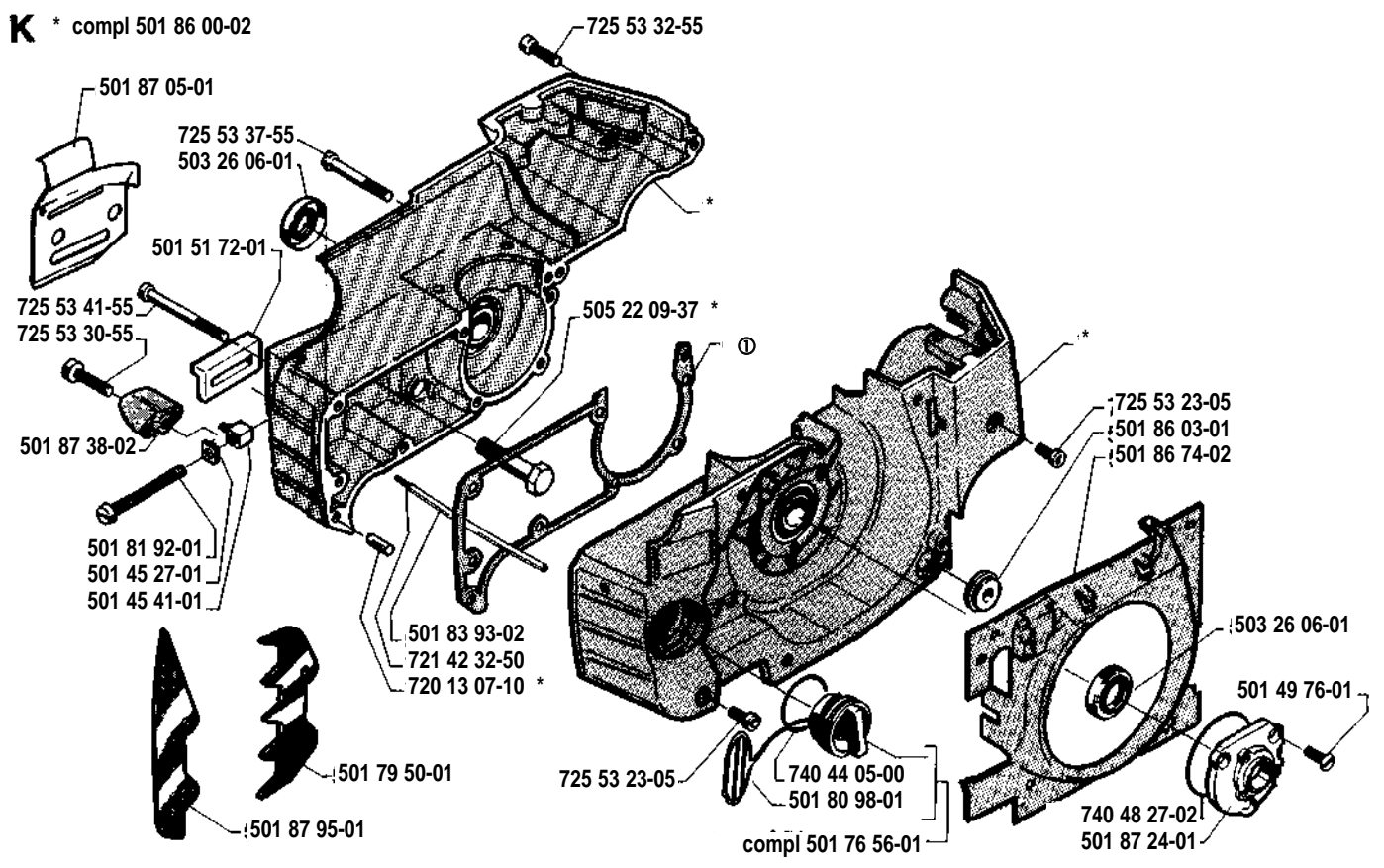
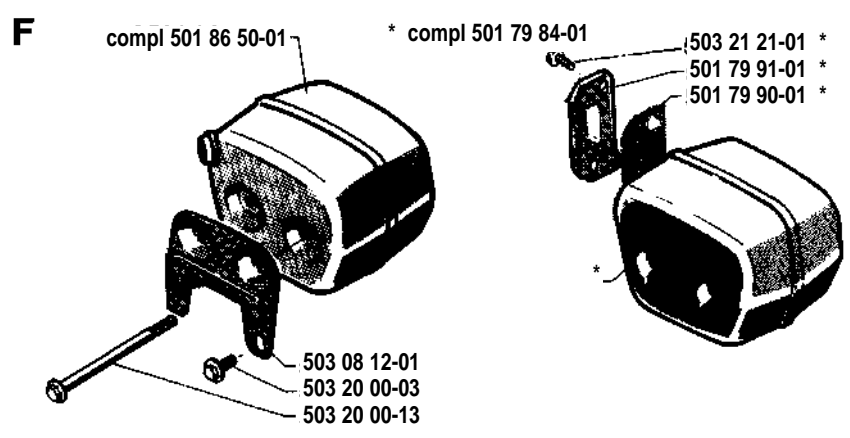
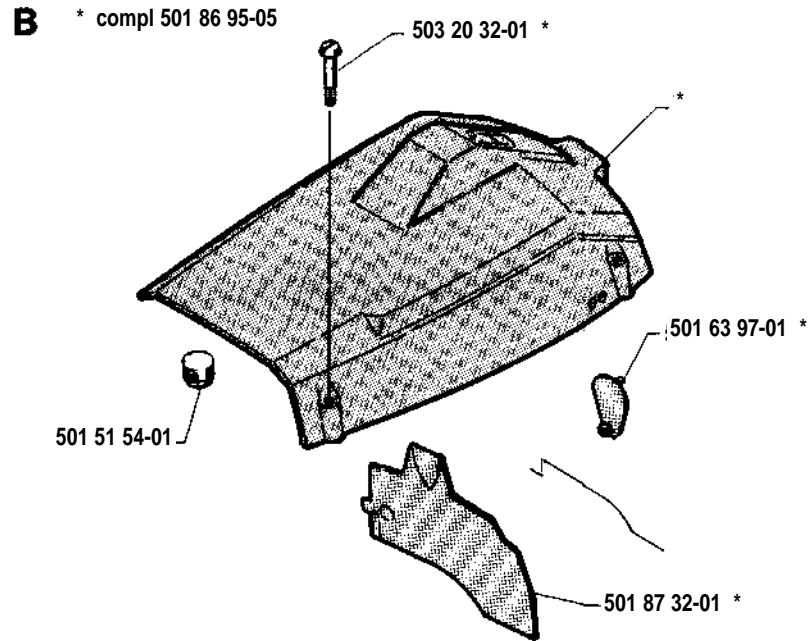
A * compl 501 87 40-02



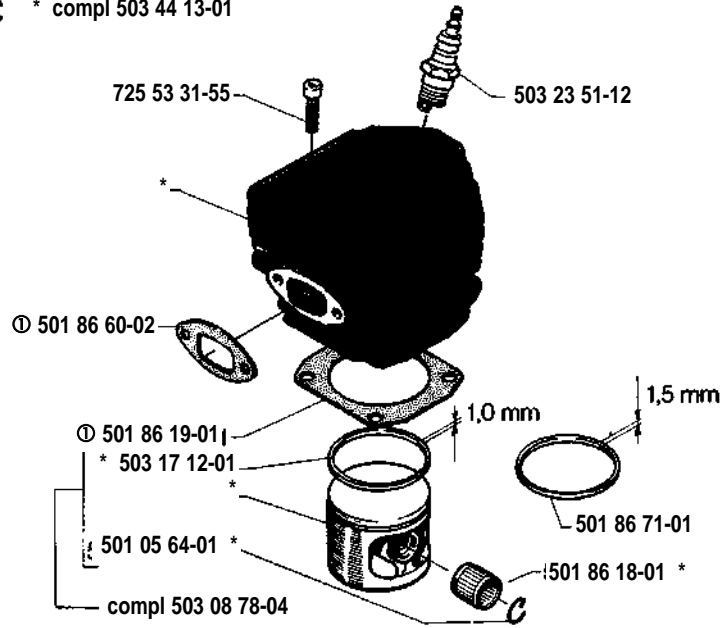
J

* compl 503 16 73-01

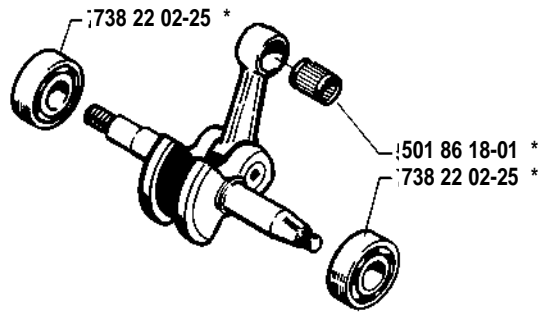




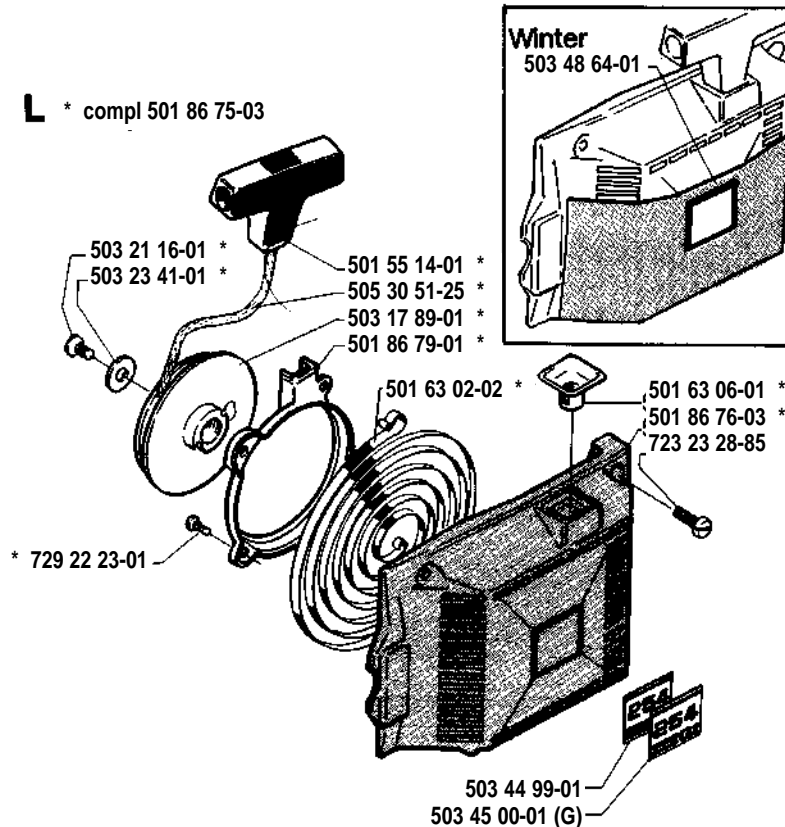
C * compl 503 44 13-01



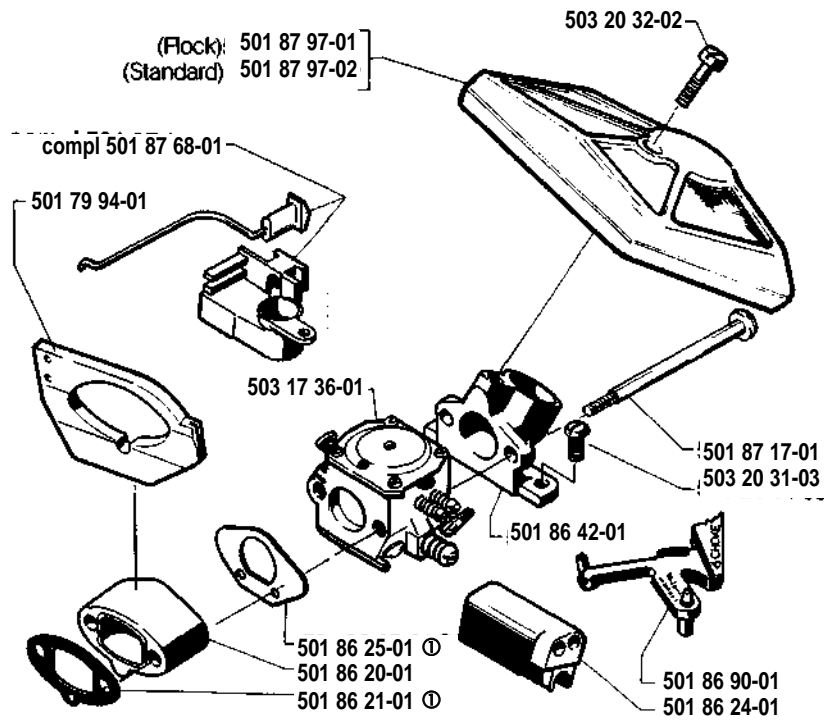
G * compl 501 87 69-01



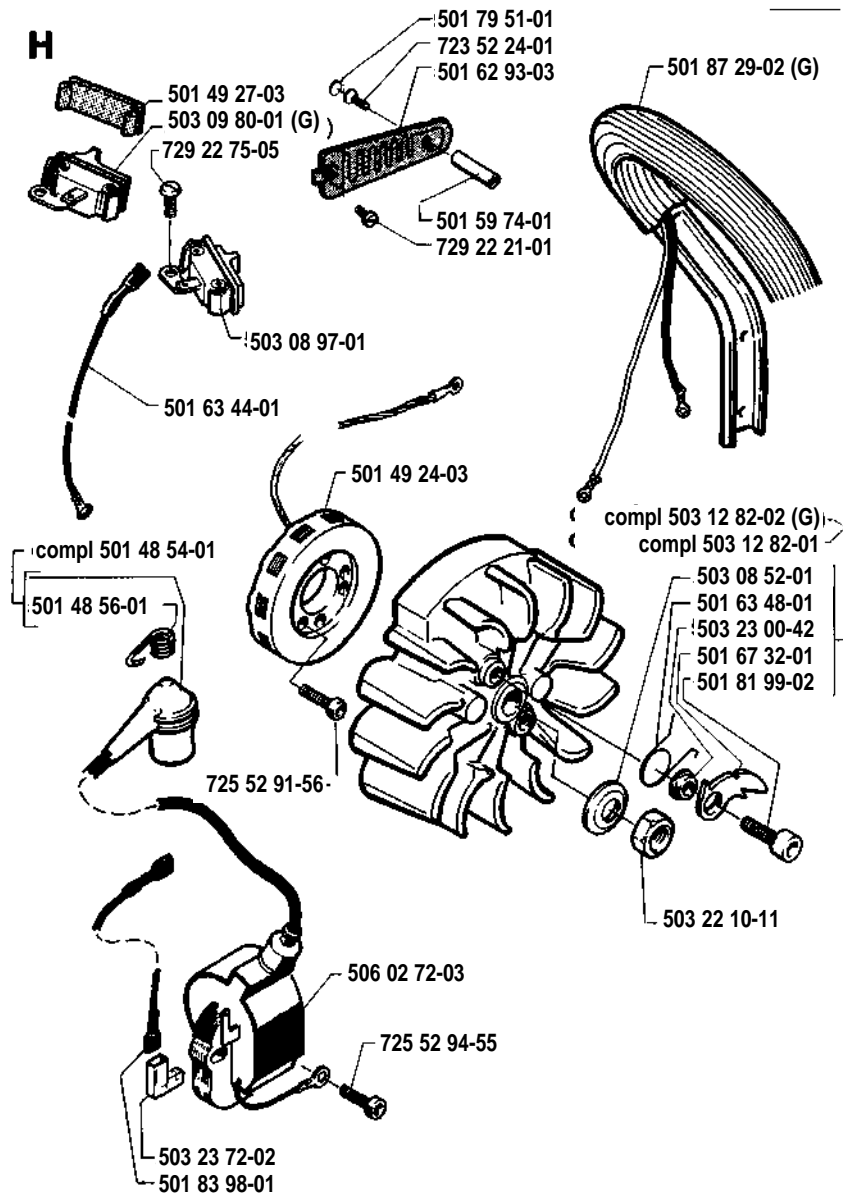
L * compl 501 86 75-03



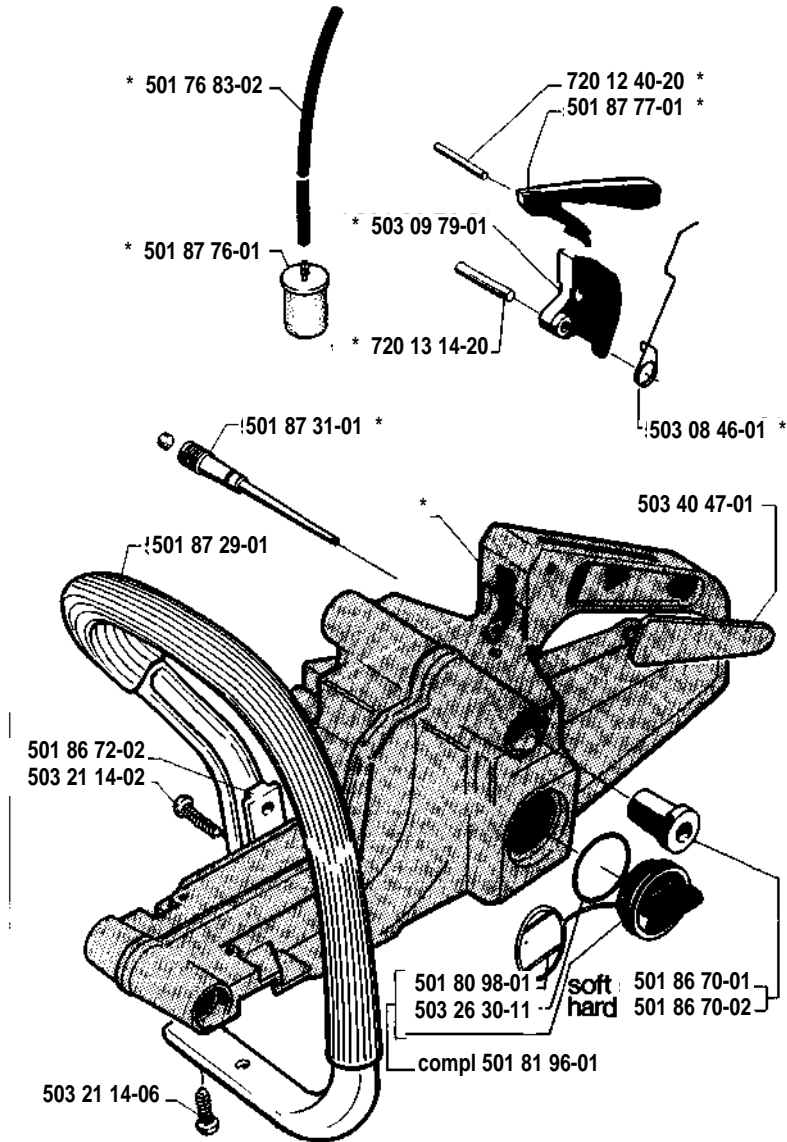
D



H

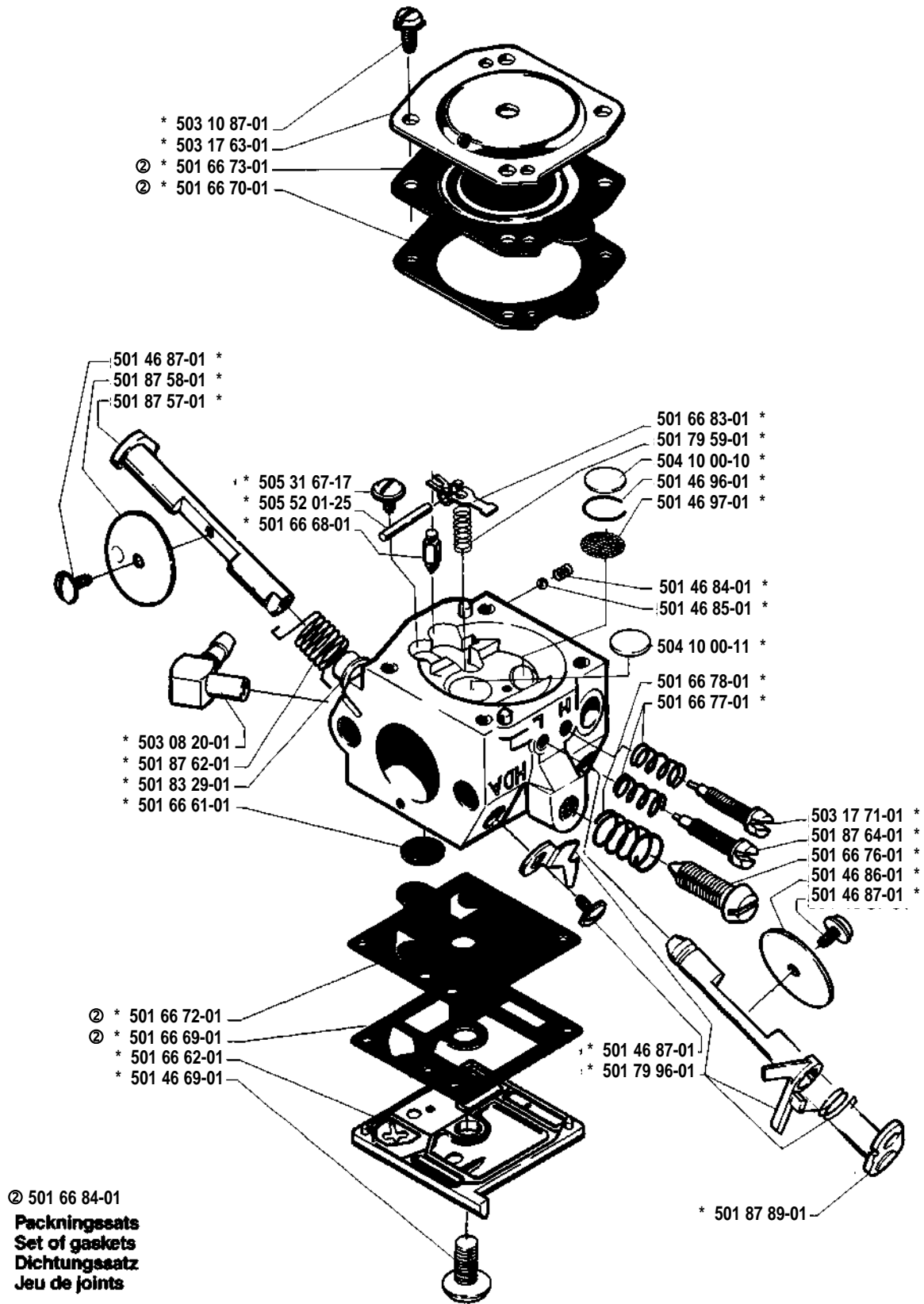


E * compl 501 76 13-05



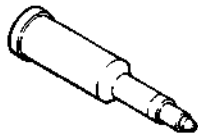
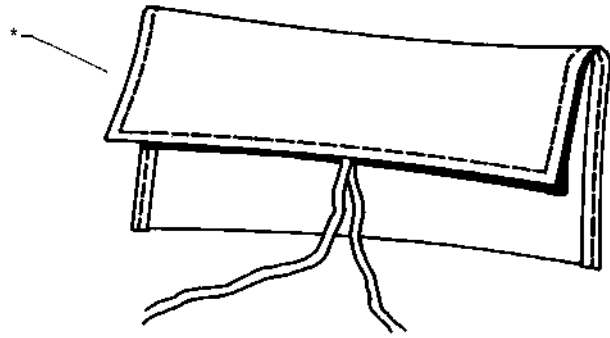
M * compl 503 17 36-01

Walbro HDA 35 A



N * compl 501 67 33-02

**Tillbehör
Accessories
Accessoires
Zubehöre**



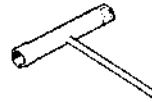
* 501 91 14-01



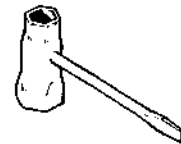
* 503 08 54-01



* 501 60 02-02



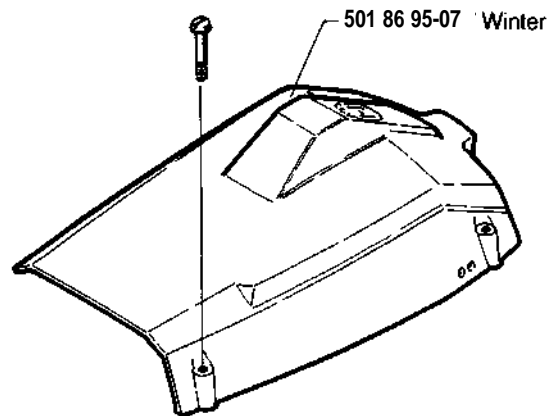
* 501 68 89-01



* 501 69 17-01

O

**Leveras endast som reservdel
Delivery as spare part only
Nur als Ersatzteil lieferbar
Livrabte seulement comme pièce de rechange
Solo como repuesto
Zasílá se jenom jako náhradní díl**



503 41 62-01

