

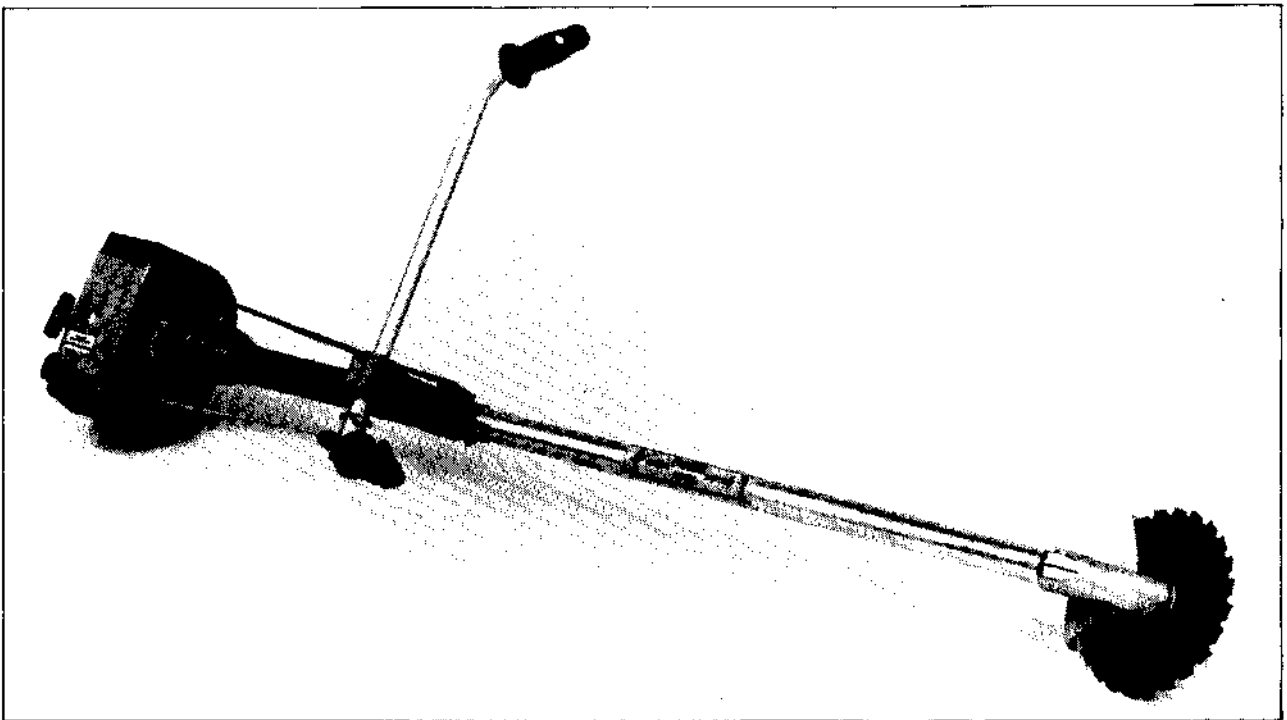


For Husqvarna Parts Call 606-678-9623 or 606-561-4983



SERVICE 		13 SX 86.106
--	---	------------------------

165RX



1. 1986

Reservdelar

Spare parts

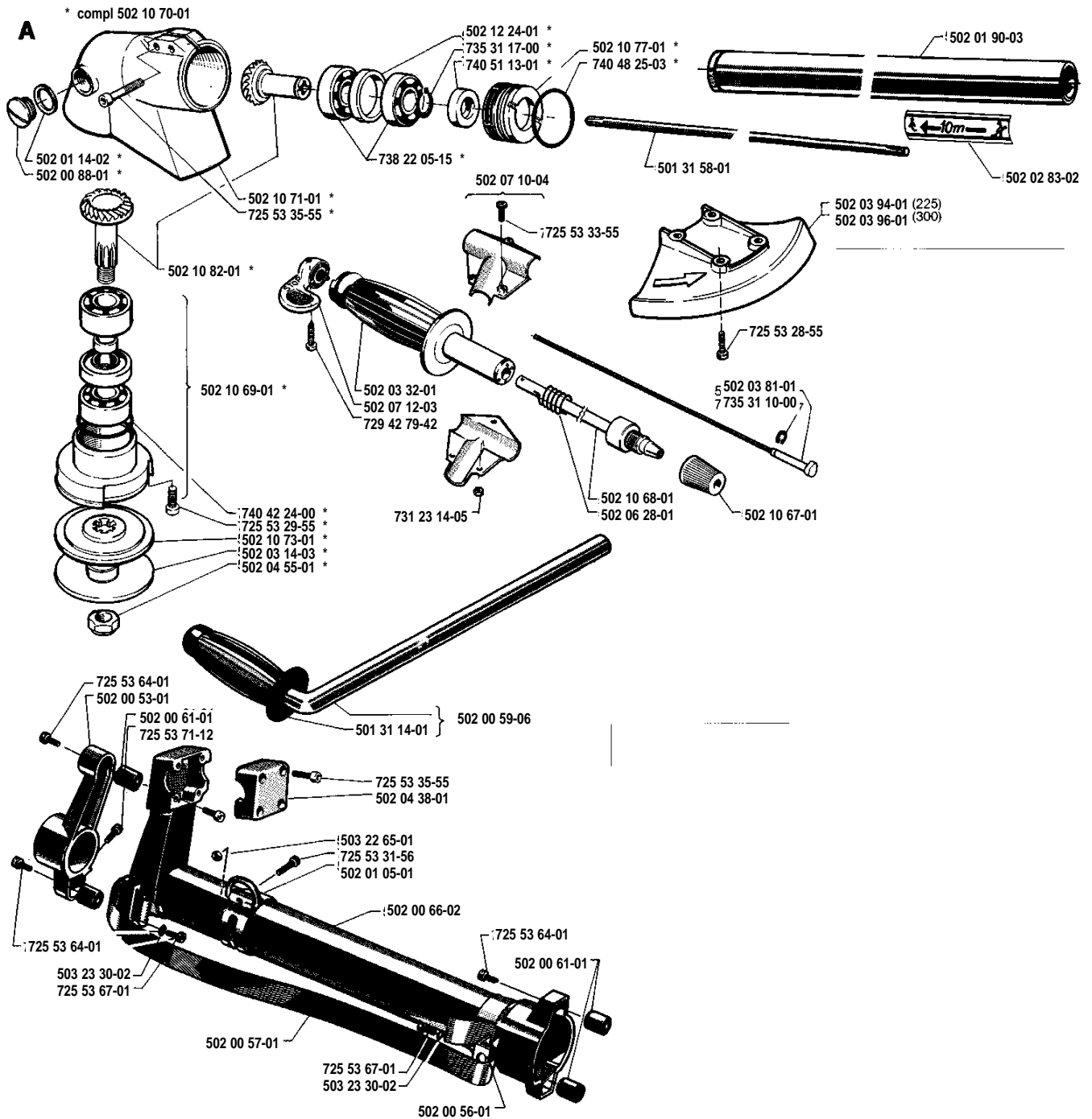
Ersatzteile

Pièces de rechange

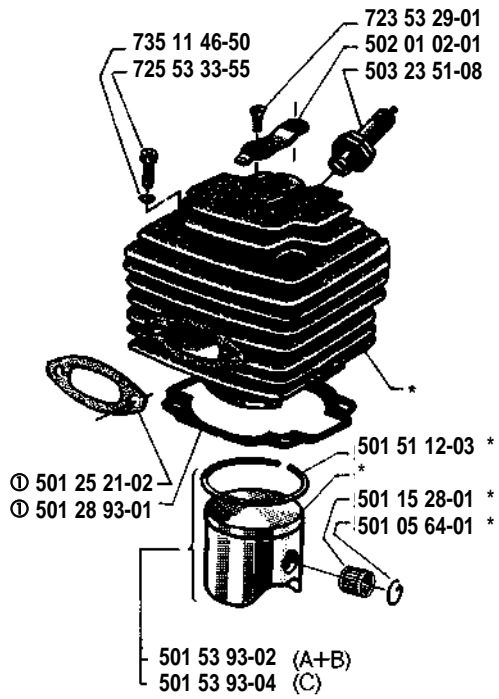
Beställn.-nummer Part number Best. Nr No de commande Varaosä n:ro	Ruta Box Viereck Carreau Index	Anm. Remarks Anm. Notes Huom	Beställn.-nummer Part number Best. Nr No de commande Varaosä n:ro	Ruta Box Viereck Carreau Index	Anm. Remarks Anm. Notes Huom	Beställn.-nummer Part number Best. nr No de commande Varaosä n:ro	Ruta Box Viereck Carreau Index	Anm. Remarks Anm. Notes Huom
112 70 43-02	K		501 83 20-01	K		502 10 56-01	C	(N)
501 05 84-01	B		501 87 76-01	G		502 10 57-01	C	(N)
501 08 17-01	K		502 00 05-01	J	(1)	502 10 59-01	E	(N)
501 15 28-01	B, F		502 00 12-02	H		502 10 59-02	E	(N)
501 20 87-01	H		502 00 15-01	L		502 10 64-01	D	(N)
501 21 81-01	L		502 00 16-02	G		502 10 67-01	A	(N)
501 22 00-01	D		502 00 18-01	G		502 10 68-01	A	(N)
501 22 01-01	D		502 00 20-01	J		502 10 69-01	A	(N)
501 22 02-01	D		502 00 26-02	D	(N)	502 10 70-01	A	(N)
501 22 03-01	D		502 00 27-02	E	(N)	502 10 71-01	A	(N)
501 22 04-01	D		502 00 37-01	M		502 10 73-01	A	(N)
501 22 05-01	D		502 00 49-01	L		502 10 77-01	A	(N)
501 22 08-01	D	(2)	502 00 53-01	N		502 10 82-01	A	(N)
501 22 09-01	D	(2)	502 00 56-01	N		502 12 24-01	A	(N)
501 22 10-01	D		502 00 57-01	N		503 20 00-35	K	(N)
501 22 11-01	D		502 00 59-06	N		503 20 30-01	H	
501 22 12-01	D	(2)	502 00 61-01	N		503 20 40-06	J	
501 22 13-01	D	(2)	502 00 66-02	N		503 20 40-14	H	
501 22 14-01	D		502 00 68-01	C		503 20 80-03	C	
501 22 15-01	D		502 00 70-01	H		503 20 90-04	C	
501 22 17-01	D		502 00 72-01	H		503 22 10-02	K	
501 22 18-01	D		502 00 88-01	A	(N)	503 22 62-01	D	(N)
501 22 19-01	D		502 00 96-01	H		503 22 65-01	N	
501 22 20-01	D		502 00 97-02	H		503 23 30-01	J	
501 22 21-01	D		502 01 02-01	B		503 23 30-02	H, N	
501 22 22-01	D		502 01 05-01	N		503 23 50-11	B	
501 22 24-01	D		502 01 14-02	A	(N)	503 23 51-08	B	(N)
501 22 25-01	D		502 01 20-01	C, D		503 26 02-04	J	
501 22 29-01	D		502 01 21-01	D		720 13 07-10	J	
501 22 30-01	D		502 01 22-01	D		723 12 22-55	H	
501 22 31-01	D		502 01 23-01	D		723 53 29-01	B	(N)
501 22 32-01	D		502 01 26-01	D		725 23 64-51	N	
501 25 10-01	C	(1)	502 01 29-01	H		725 52 92-56	K	
501 25 20-02	E	(1)(N)	502 01 36-01	C		725 53 28-55	A	(N)
501 25 21-02	B	(1)(N)	502 01 39-01	G		725 53 29-55	A	(N)
501 25 46-01	D		502 01 48-01	J		725 53 31-55	J, N	
501 26 85-01	D		502 01 62-01	-	(1) compl	725 53 33-55	B, N	
501 26 89-01	D		502 01 76-02	C		725 53 35-01	N, L	
501 26 90-01	D		502 01 90-03	N		725 53 35-55	A	(N)
501 28 92-01	C		502 01 98-01	H, L		725 53 64-01	N	
501 28 93-01	B	(1)	502 02 00-01	P		725 53 67-55	N	
501 30 13-01	H		502 02 01-01	P		725 53 70-55	H	
501 31 01-03	P		502 02 06-01	P		725 53 71-05	N	
501 31 04-01	H		502 02 27-01	P		725 53 74-55	H	
501 31 14-01	N		502 02 29-02	P		725 53 82-05	E	(N)
501 31 35-01	H		502 02 30-02	P		725 53 83-05	E	(N)
501 31 38-01	N		502 02 38-01	P		725 83 67-55	L	
501 40 21-02	L		502 02 83-02	N		728 83 67-05	H	
501 40 22-01	L		502 03 14-03	A	(N)	729 42 79-42	A	(N)
501 40 24-02	L		502 03 32-01	A	(N)	729 43 32-42	D	(N)
501 40 27-01	L		502 03 55-01	P		731 23 14-01	N	
501 40 72-01	L		501 03 64-01	P		731 23 14-05	N	
501 40 89-01	L		502 03 80-01	H		732 21 14-01	C	
501 41 78-01	B		502 03 81-01	N		734 11 46-01	C	(N)
501 42 14-01	K		502 03 82-01	H		734 48 51-01	K	
501 46 67-01	D		502 03 83-01	H		735 11 24-51	H	
501 48 54-01	K		502 03 84-01	H		735 11 36-00	K	
501 48 56-01	K		502 03 85-01	K		735 11 46-50	B	
501 49 48-02	D	(2) compl	502 03 86-01	G		735 31 09-20	P	
501 51 12-03	B		502 03 94-01	A	(N)	735 31 10-00	N	
501 53 93-02	B		502 03 96-01	A	(N)	735 31 17-00	A	(N)
501 53 93-04	B		502 04 38-01	N		738 22 02-20	F	
501 55 14-01	L		502 04 55-01	M		738 22 05-15	A	(N)
501 55 61-01	F		502 06 28-01	N		740 42 22-00	J	
501 67 32-01	K		502 07 10-04	N		740 42 24-00	A	(N)
501 67 35-01	K		502 07 12-03	A	(N)	740 48 25-03	A	(N)
501 67 95-01	K		502 07 15-01	M		740 51 13-01	A	(N)
501 69 76-01	K		502 10 52-01	C	(N)			
501 83 19-01	K		502 10 54-01	C	(N)			

(1) 502 01 62-01
Packningssats
Set of gaskets
Dichtungssatz
Jeu de joints
Tiivistesrj

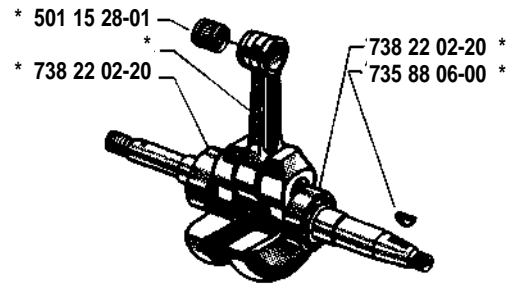
(N) = Ny det.
New part.
Neues Teil.
Nouvelle pièce
Nueva pieza



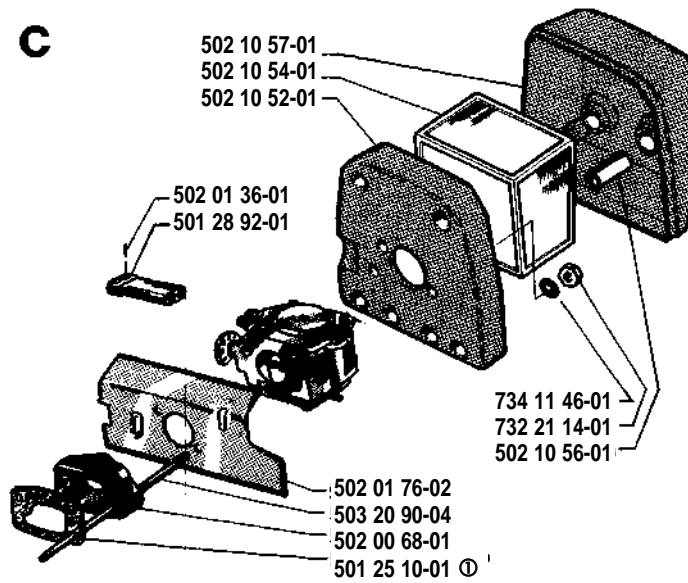
B * compl 501 41 78-01



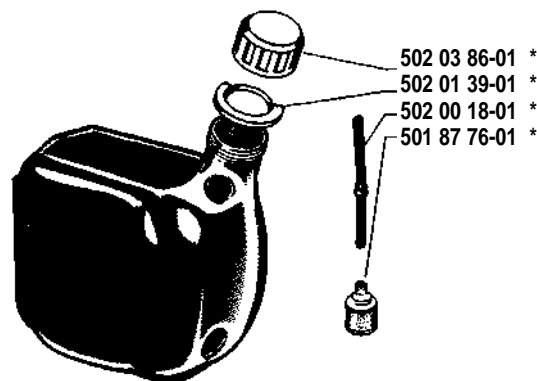
F * compl 501 55 61-01

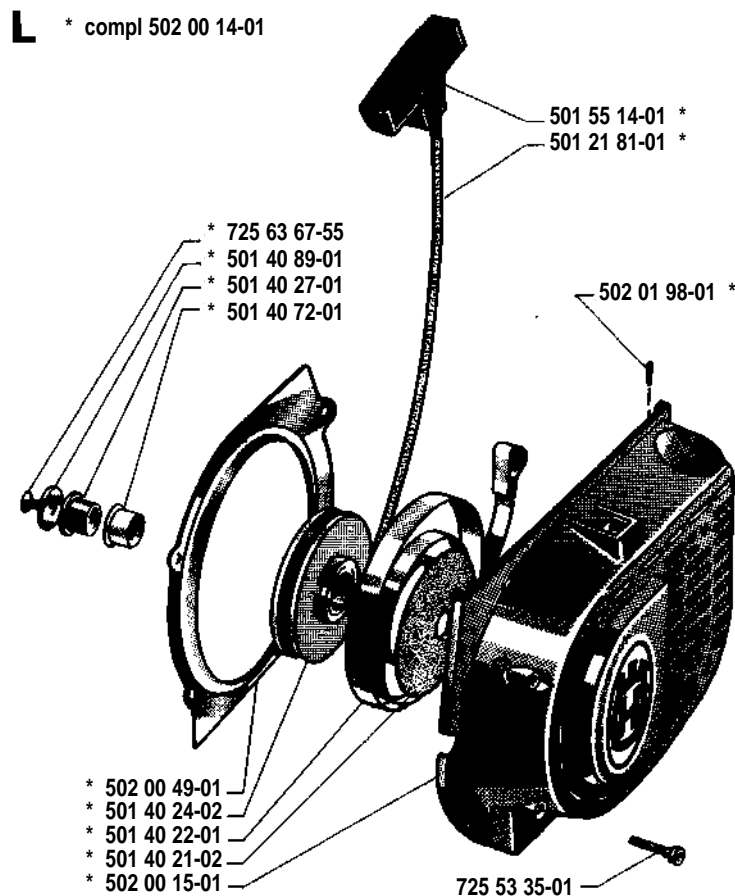
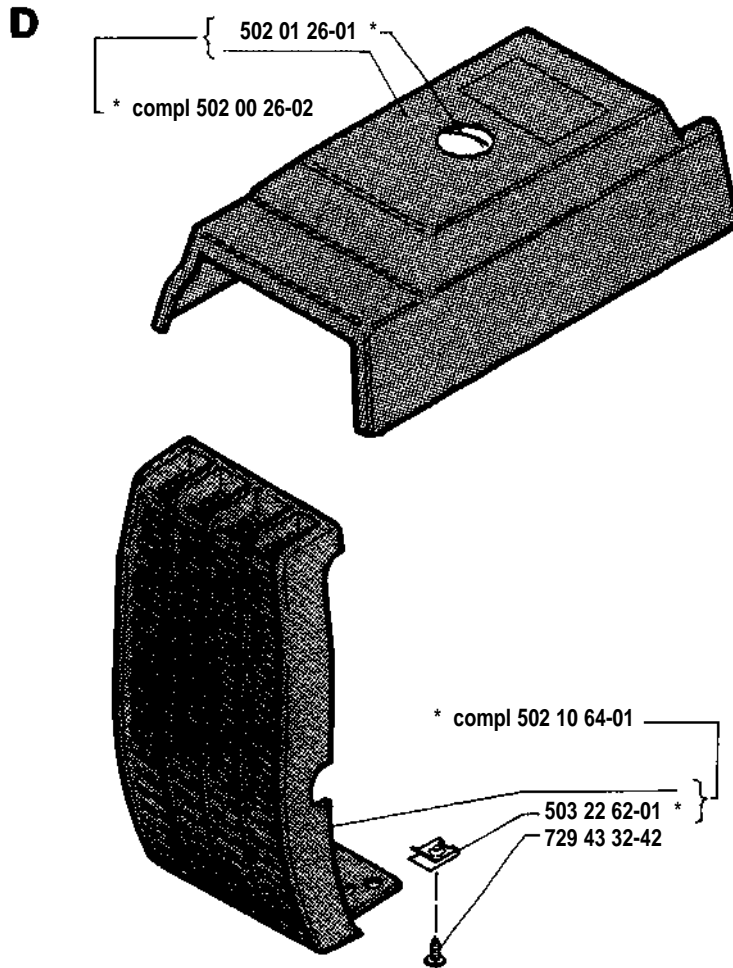


C

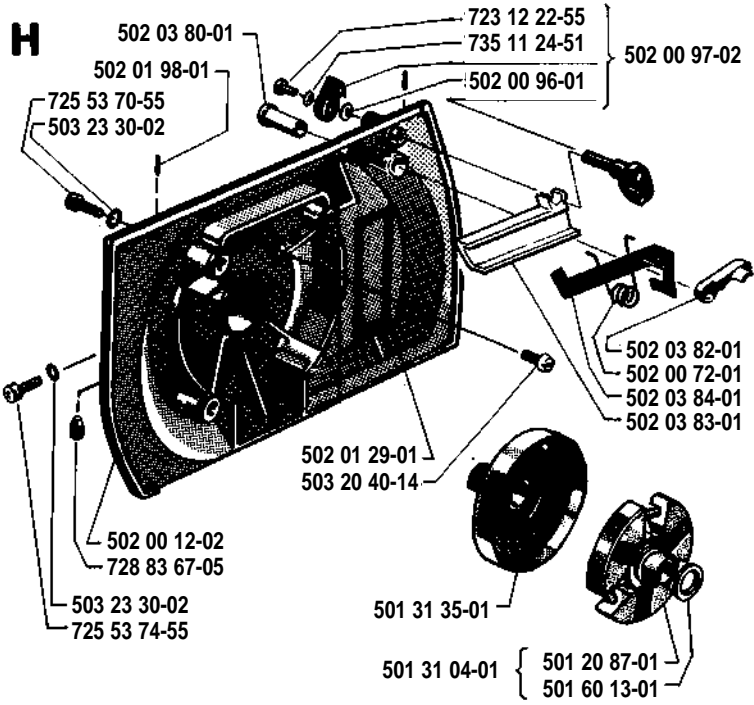
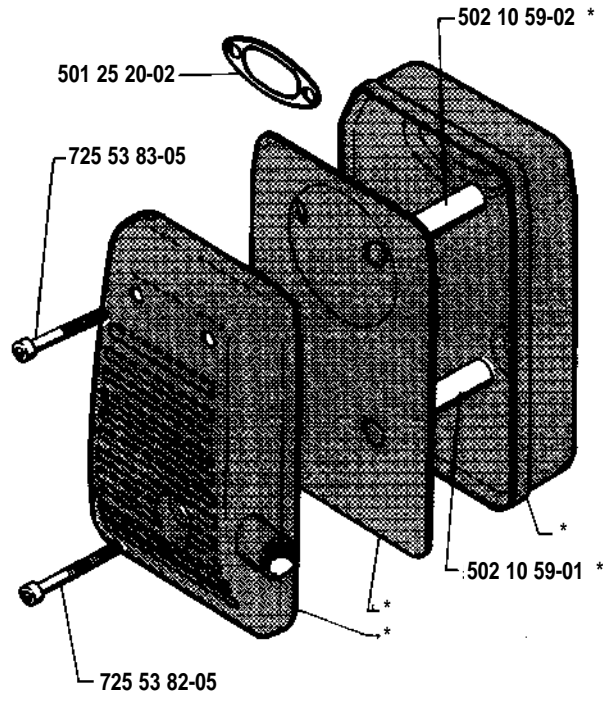


G * compl 502 00 16-02

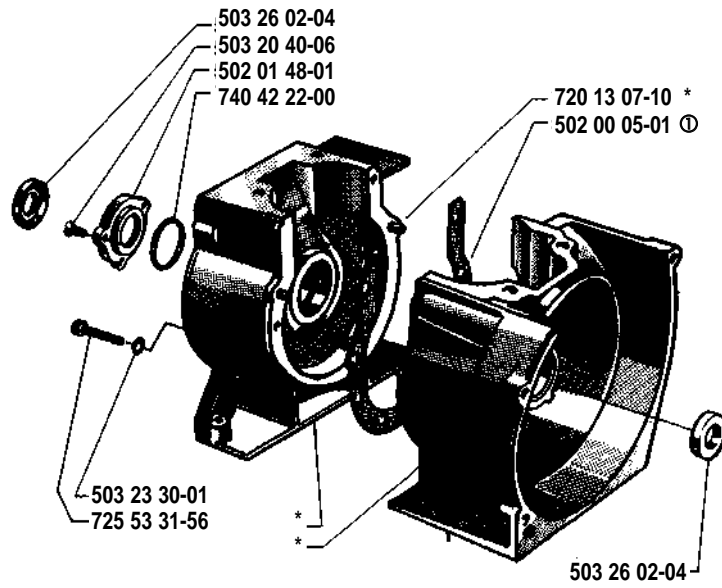




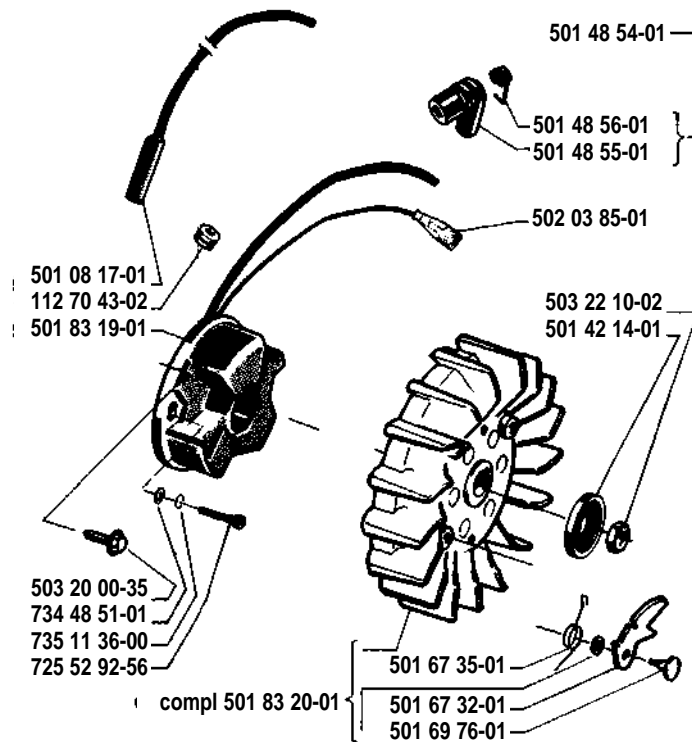
E * compl 502 00 27-02



J * compl 502 00 20-01

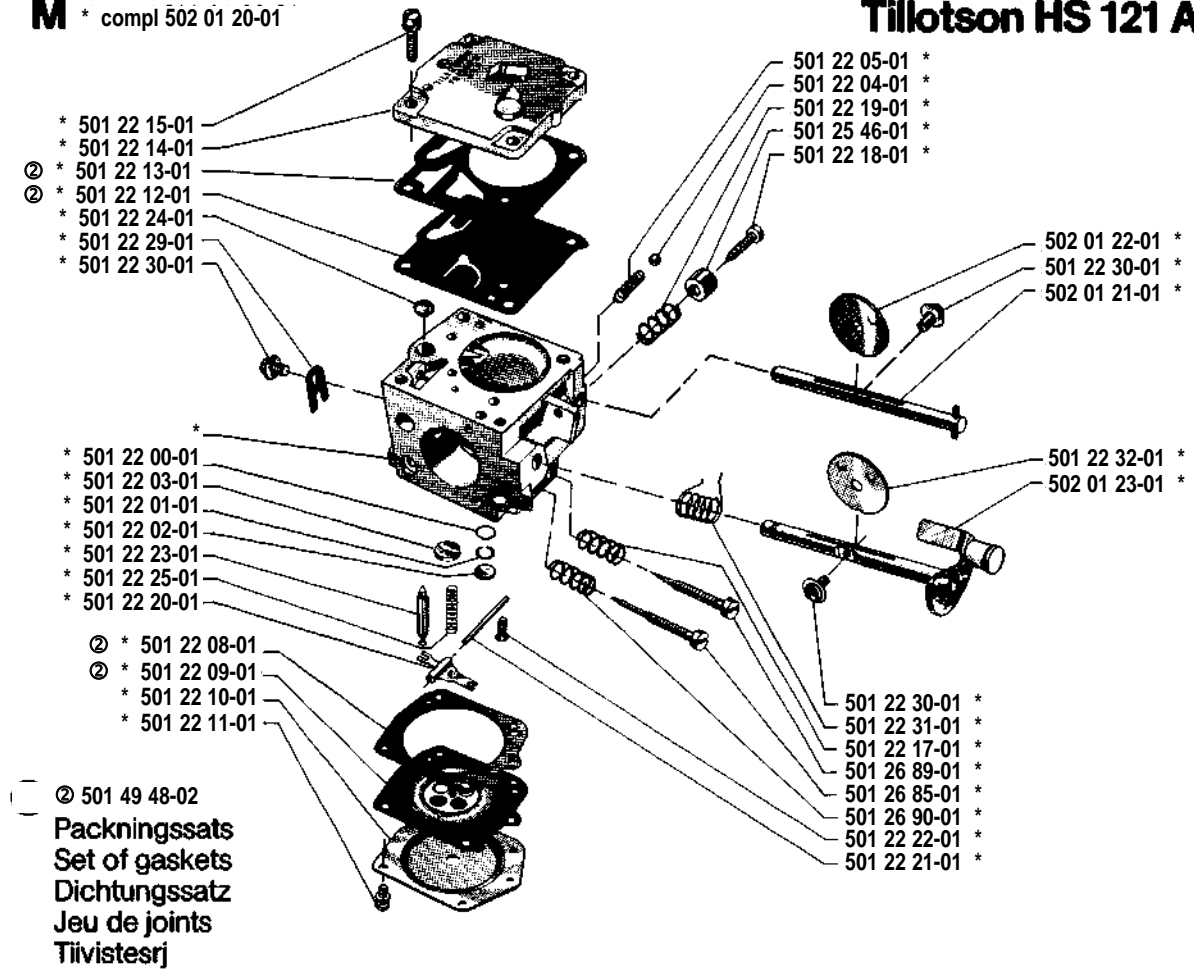


K



M * compl 502 01 20-01

Tillotson HS 121 A



N * compl 502 02 00-01

Tillbehör
Accessories
Zubehöre
Accessoires
Tarvikkeet

