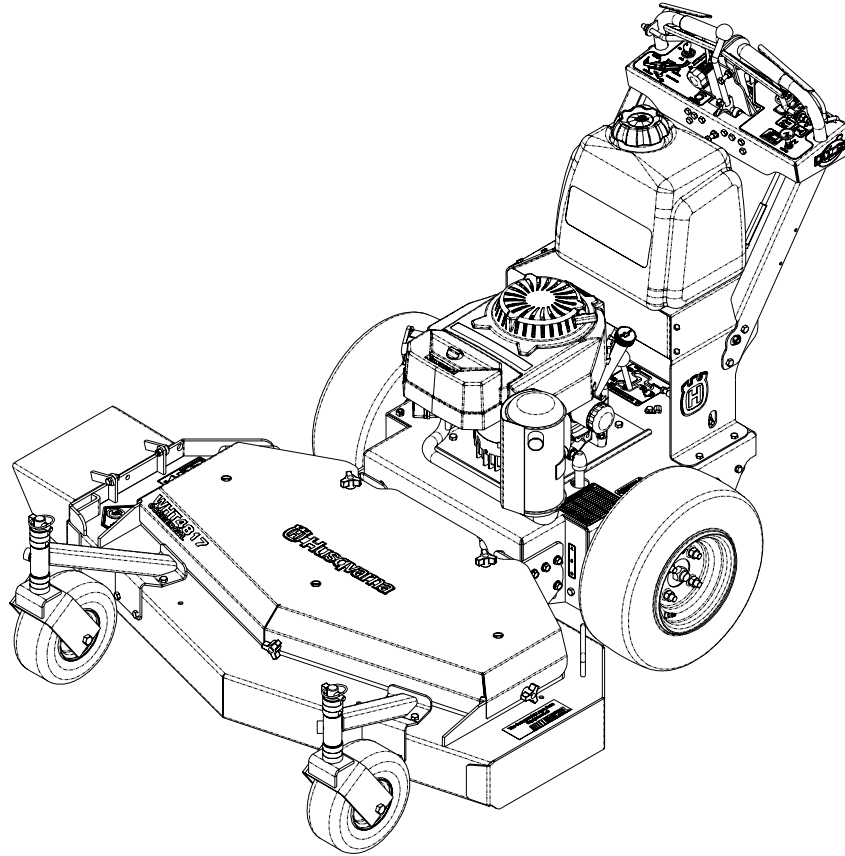


For Husqvarna Parts Call 606-678-9623 or 606-561-4983



Parts Manual

Model:
968999237 / WHT3615
968999238 / WHT4817

MANUAL NO. 539110570 REV. 04 (07/20/04)

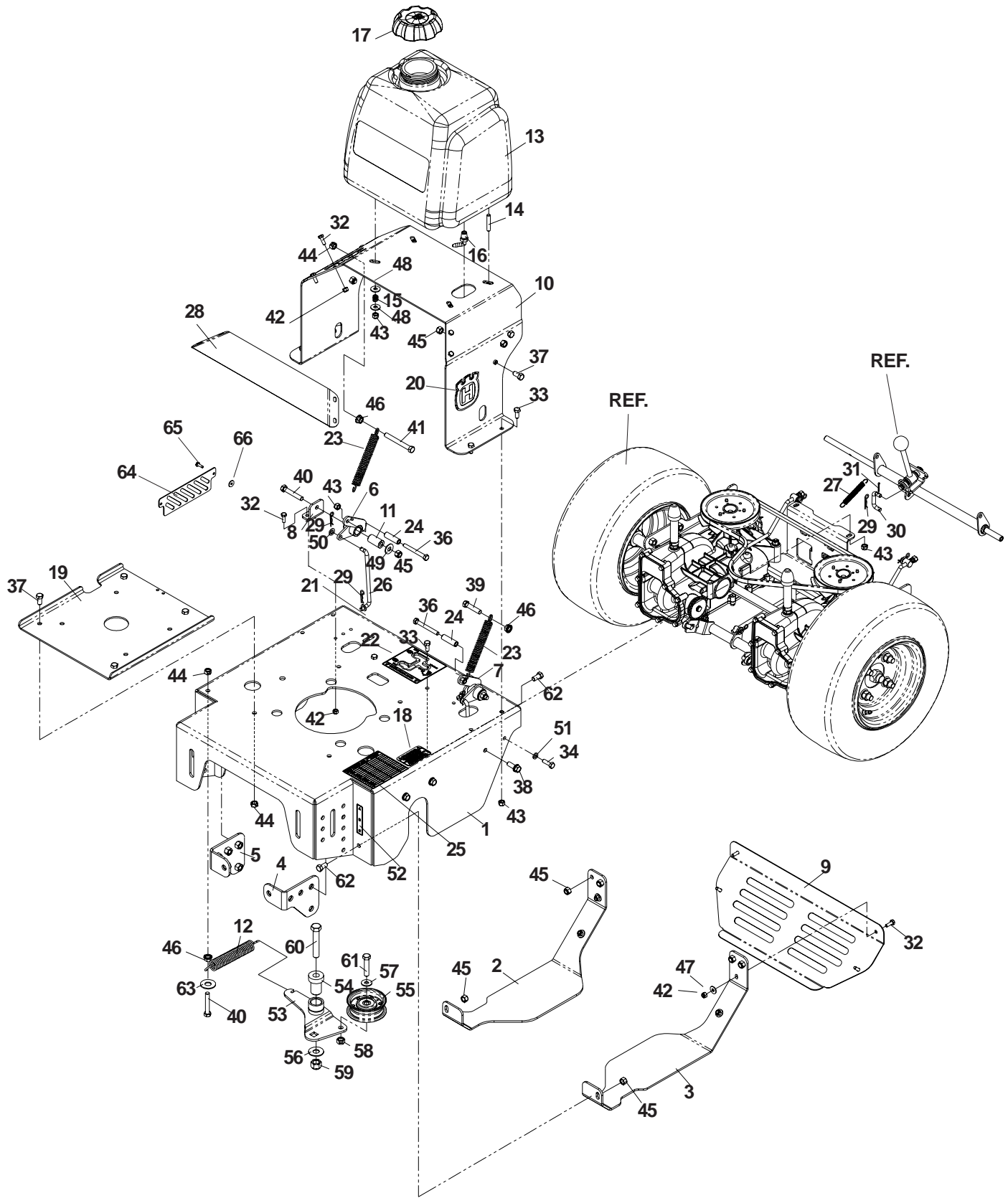
www.mymowerparts.com

CONTENTS

POWER UNIT	4-5
INTERGRADED ZEROTURN	
TRANSAXLE (IZT)	6-7
HANDLE ASSEMBLY	8-9
15 HP & 17 HP ENGINES	10-11
CASTER ASSEMBLY	12-13
36" DECK ASSEMBLY	14-15
48" DECK ASSEMBLY	16-17

NOTE: ALL FASTENERS ARE GRADE 5 UNLESS OTHERWISE SPECIFIED.

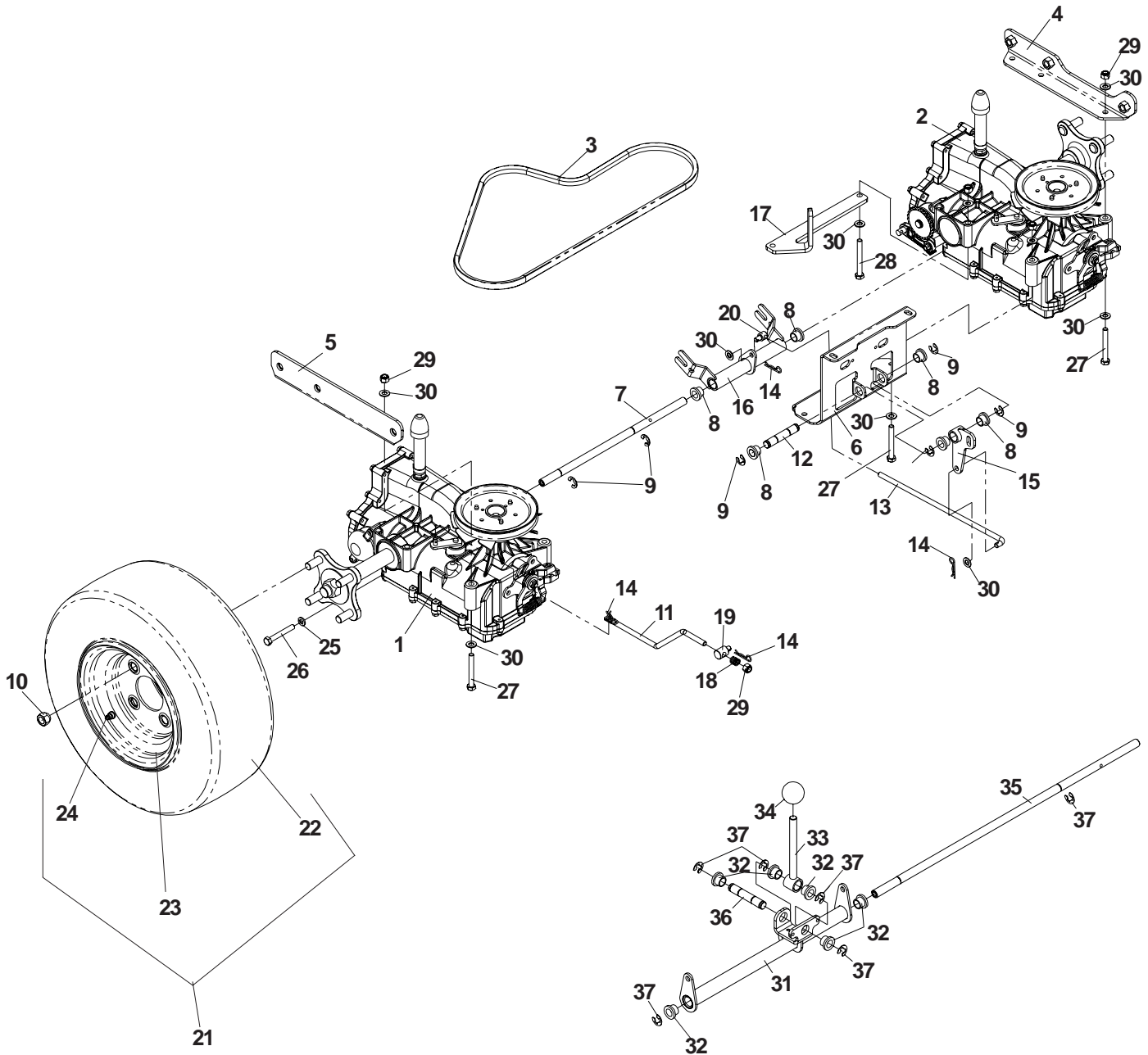
POWER UNIT



POWER UNIT

ITEM	PART NO.	QTY.	DESCRIPTION	ITEM	PART NO.	QTY.	DESCRIPTION
1	539110572	1	REAR DECK W/ DECALS	34	539990209	2	HCS, 5/16-18 X 1
2	539109102	1	SKID PLATE, RIGHT	36	539101721	2	HCS, 5/16-18 X 2 3/4
3	539109101	1	SKID PLATE, LEFT	37	539990134	8	HCS, 3/8-16 X 3/4
4	539109026	1	NUT PLATE, LEFT	38	539990582	6	HCS, 3/8-16 X 1
5	539109028	1	NUT PLATE, RIGHT	39	539990637	1	HCS, 3/8-16 X 2 1/2
6	539109135	2	BELLCRANK, RIGHT, ETS	40	539990629	3	HCS, 3/8-16 X 2 1/4
7	539109122	1	BELLCRANK, LEFT, ETS	41	539102754	1	HCS, 3/8-16 X 3 1/2, GR8
8	539109039	2	CONTROL BRACKET	42	539976978	12	NUT, 1/4C, NYLOC
9	539109030	1	REAR GUARD	43	539990717	12	NUT, 5/16C, NYLOC
10	539109022	1	TANK SUPPORT	44	539990546	7	NUT, 3/8C, CENTERLOCK
11	539101836	2	SLEEVE BUSHING	45	539976979	12	NUT, 3/8C, NYLOC
12	539101977	1	TRACTION SPRING	46	539990613	3	NUT, 3/8C
13	539105630	1	FUEL TANK	47	539990598	4	WASHER, 1/4
14	539102502	4	STUD, 5/16C	48	539990692	8	WASHER, 5/16
15	539102845	4	SPRING, TANK MOUNT	49	539990517	2	WASHER, 3/8
16	539102650	1	HOSE BARB, 90°	50	539990188	2	WASHER, 5/16, SAE
17	539106188	1	FUEL CAP	51	539990187	2	LOCK WASHER, 5/16
18	539101881	1	DECAL, PROP 65	52	539109104	1	HARNESS, LOWER (NOT SHOWN)
19	539109099	1	PLATE, ENGINE	53	539110508	2	DECAL, POSITION
20	539104789	2	DECAL, SMALL CROWN	54	539111449	1	IDLER ARM, WELDMENT
21	539105744	1	DECAL, DANGER, BELT DRIVES	55	539101231	1	IDLER SPINDLE
22	539109763	1	DECAL, BYPASS/ BRAKE	56	539919078	1	IDLER PULLEY
23	539916159	2	SPRING	57	539990550	1	WASHER, 1/2
24	539109023	1	SPACER	58	539990692	1	WASHER, 5/16
25	539109772	1	DECAL, HEIGHT	59	539990546	1	NUT, 3/8C, CENTER LOCK
26	539109015	2	CONTROL LINKAGE	60	539101331	1	NUT, 1/2C, NYLOC
27	539977250	1	SPRING	61	539101332	1	HCS, 1/2-13 X 2 3/4
28	539109097	1	PANEL	62	539990730	1	HCS, 3/8-16 X 1 3/4
29	539976988	5	HAIRPIN COTTER	63	539990563	6	HCS, 3/8-16 X 1
30	539109033	1	BRAKE ENGAGE- MENT LINKAGE	64	539990250	1	WASHER, 1/2, SAE
31	539990037	1	PIN COTTER, 3/32 X 3/4	65	539111017	1	FAN GUARD
32	539990580	12	HCS, 1/4-20 X 3/4	66	539991034	2	SCREW, #10-24 X 5/8, WASHER HEAD
33	539976934	6	HCS, 5/16-18 X 3/4	67	539105408	2	WASHER, #10
					539109867	1	CLAMP, DOUBLE TUBE, (NOT SHOWN)
					539976856	2	WIRE TIE (NOT SHOWN)

IZT (Intergraded Zereturn Transaxle)

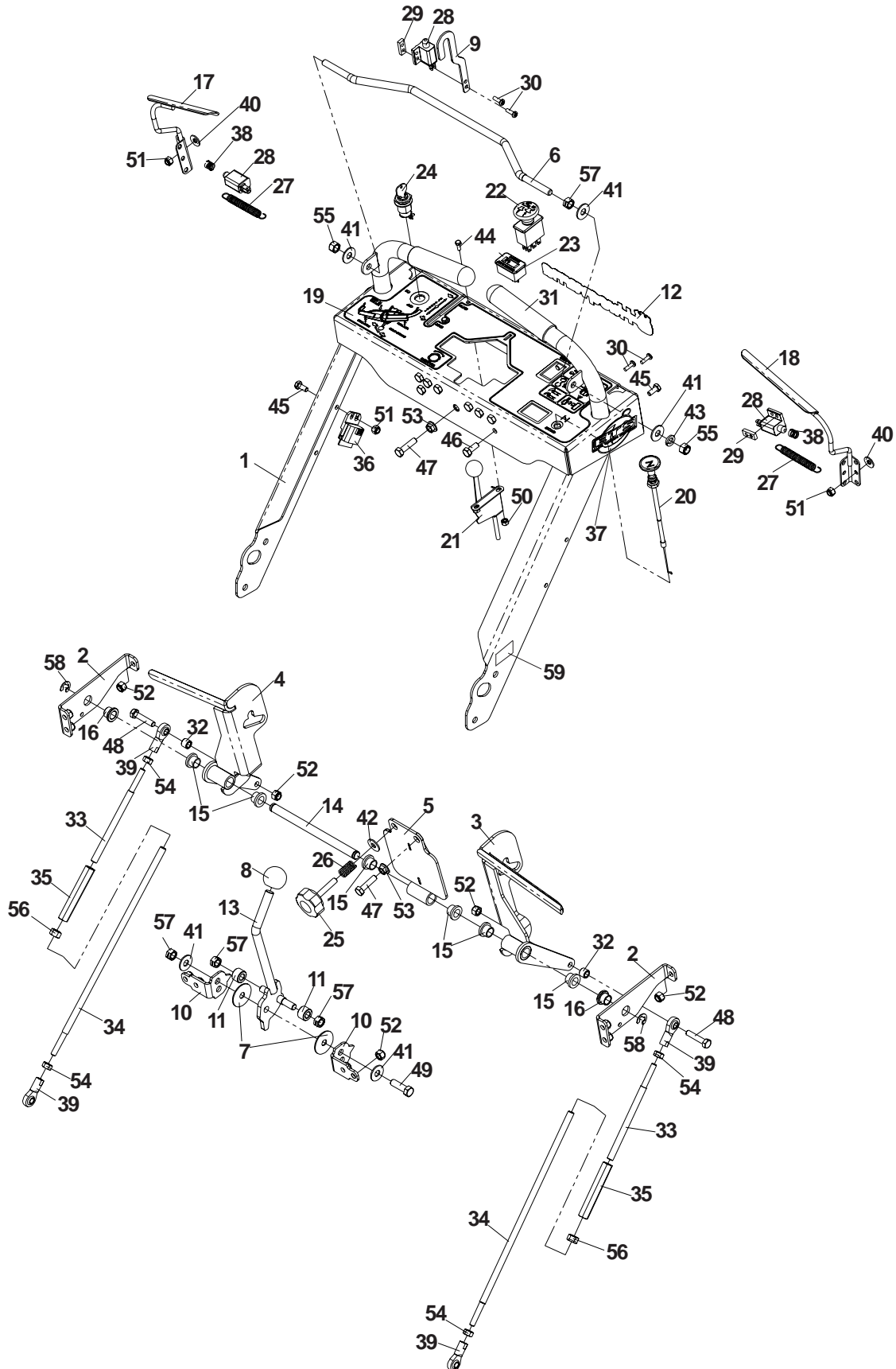


IZT

(Intergraded Zereturn Transaxle)

ITEM	PART NO.	QTY.	DESCRIPTION
1	539111018	1	IZT, LEFT (AFTER SERIAL NO. 042627905)
	539109000	1	IZT, LEFT (BEFORE SERIAL NO. 042627905)
2	539111019	1	IZT, RIGHT (AFTER SERIAL NO. 042627905)
	539109001	1	IZT, RIGHT (BEFORE SERIAL NO. 042627905)
3	539111445	1	IZT BELT
4	539111108	1	IZT SUPPORT, RIGHT
5	539109006	1	IZT SUPPORT, LEFT
6	539109008	1	IZT SUPPORT, REAR
7	539109009	1	IZT CONNECTOR
8	539100032	6	BUSHING, NYLON FLANGED
9	539101949	6	E-RING, 1/2"
10	539101173	8	LUG NUT, 1/2"
11	539109011	2	IZT BYPASS LINKAGE
12	539109012	1	BRAKE ROD
13	539109013	1	BRAKE LINKAGE
14	539976988	6	HAIRPIN COTTER
15	539109014	1	BRAKE BELLCRANK, REAR
16	539109010	1	BRAKE BELLCRANK, FRONT
17	539109095	1	CLUTCH TIE DOWN
18	539102845	2	SPRING, TANK MOUNT
19	539109032	2	SWIVEL
20	539976434	1	ADJ. SWIVEL, SHORT
21	539109769	2	TIRE AND WHEELASSEMBLY
22	539110503	1	TIRE
23	539110504	1	RIM
24	539912234	1	VALVE STEM
25	539990187	2	LOCKWASHER, 5/16
26	539108002	2	HCS, 5/16-18 X 2 1/4, GR8
27	539991046	8	HCS, 5/16-18 X 2 1/2
28	539101721	2	HCS, 5/16-18 X 2 3/4
29	539990717	12	NUT, 5/16C, NYLOC
30	539990188	20	WASHER, 5/16, SAE
31	539109975	1	ACTUATOR ARM
32	539100032	6	BUSHING, NYLON, FLANGED
33	539109977	1	LEVER
34	539109978	1	KNOB
35	539109979	1	SHAFT
36	539109012	1	BRAKE ROD
37	539101949	6	E-RING, 1/2"

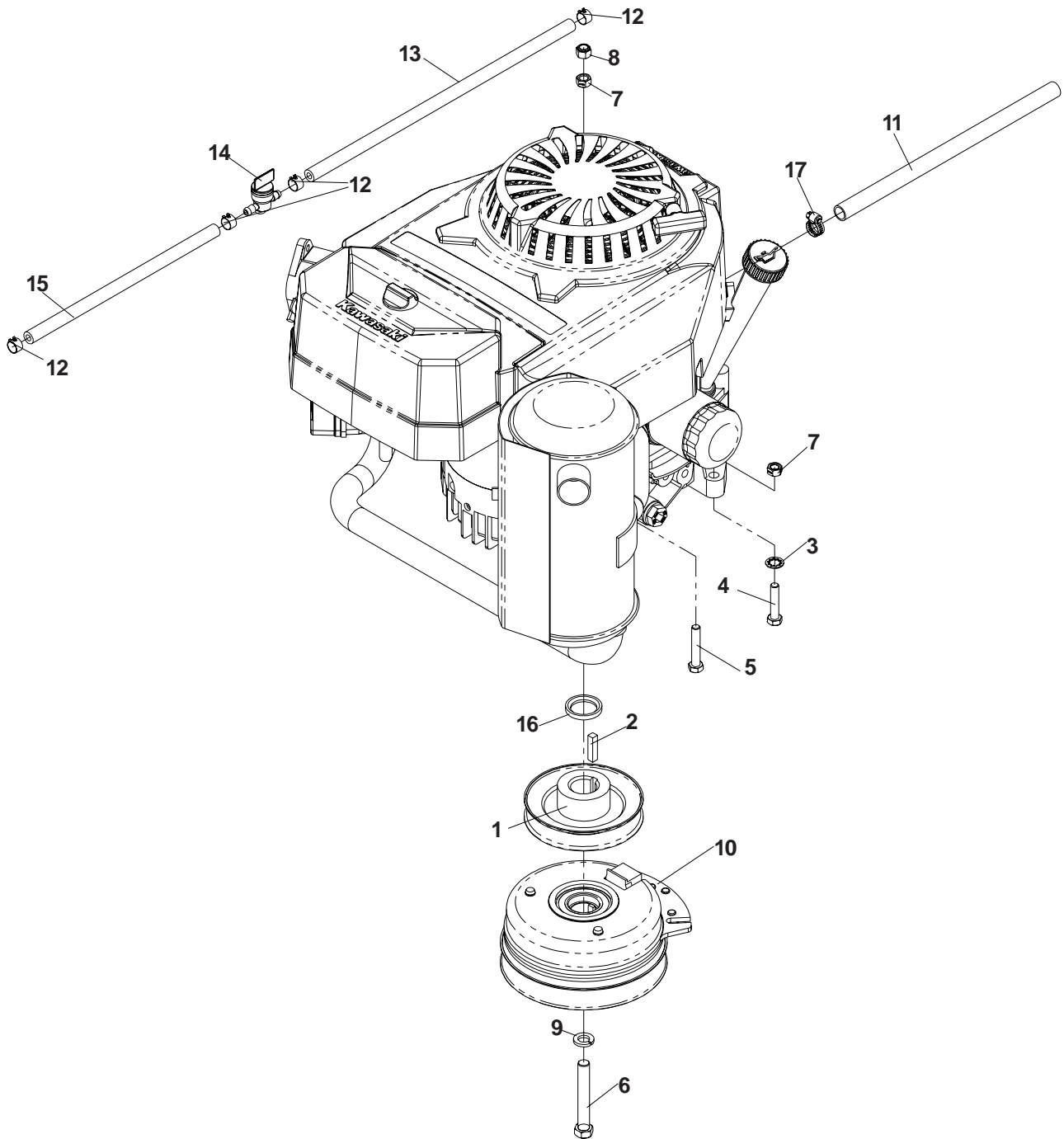
HANDLE ASSEMBLY



HANDLE ASSEMBLY

ITEM	PART NO.	QTY.	DESCRIPTION	ITEM	PART NO.	QTY.	DESCRIPTION
1	539110578	1	HANDLE W/DECALS	33	539109615	2	LINKAGE, SHORT
2	539109809	2	BRACE	34	539110598	2	LINKAGE, LOWER
3	539109811	1	DRIVE LEVER, LEFT	35	539109149	2	TURNBUCKLE, 3/8
4	539109813	4	DRIVE LEVER, RIGHT	36	539101781	1	MODULE
5	539109816	1	PLATE, TRACKING	37	539106599	2	DECAL, ETS
6	539109822	1	BAIL	38	539110509	2	SPRING, SWITCH
7	539102998	2	WASHER, FRICTION	39	539102590	4	BALL END, RIGHT
8	539100147	1	KNOB, SHIFT	40	539990598	2	WASHER, 1/4
9	539109817	1	ARM, NEUTRAL	41	539990517	5	WASHER, 3/8
10	539109614	2	PLATE, FRICTION	42	539990692	1	WASHER, 5/16
11	539109612	2	ROLLER	43	539990118	1	LOCKWASHER, 3/8
12	539104787	1	DECAL, HUSQVARNA	44	539990411	2	HCS, #10-24 X 1/2
13	539109820	1	LEVER, GROUND SPEED	45	539990072	3	HCS, 1/4-20 X 5/8, GR5
14	539109821	1	SHAFT, CROSS GR5	46	539976934	10	HCS, 5/16-18 X 3/4, GR5
15	539100032	6	BUSHING, NYLON FLANGED	47	539100469	2	HCS, 5/16-18 X 1 1/4, GR5
16	539110552	2	BUSHING, FLANGE	48	539976935	2	HCS, 5/16-18 X 1 1/2, GR5
17	539109828	1	OPERATOR, RIGHT	49	539976941	1	HCS, 3/8-16 X 1 1/4, GR5
18	539109826	1	OPERATOR, LEFT	50	539976977	2	NUT, #10-24, NYLOC
19	539109823	1	DECAL, CONSOLE, ETS	51	539976978	3	NUT, 1/4C, NYLOC
20	539109954	1	CABLE, CHOKE	52	539990717	12	NUT, 5/16C, NYLOC
21	539102732	1	CABLE, THROTTLE	53	539990585	2	NUT, 5/16C
22	539101768	1	SWITCH, CLUTCH	54	539990223	4	NUT, 5/16F
23	539110862	1	HOURMETER	55	539976979	2	NUT, 3/8C, NYLOC
24	539911853	1	SWITCH, KEY COMPLETE	56	539990155	2	NUT, 3/8F
25	539103003	1	KNOB, ADJ.	57	539990546	4	NUT, 3/8C, CENTER LOCK
26	539101224	1	SPRING	58	539101949	2	E-RING, 1/2"
27	539977250	2	SPRING	539109035	1	WIRING HARNESS, ETS (NOT SHOWN)
28	539919098	3	SWITCH	539976856	3	WIRE TIE (NOT SHOWN)
29	539102678	3	PLATE, TAPPED	59	539110864	1	DECAL, DUAL HEIGHT
30	539976952	6	SCREW, #10-24 X 5/8 MACH.				
31	539105842	2	GRIP				
32	539102827	2	SPACER, PULLEY				

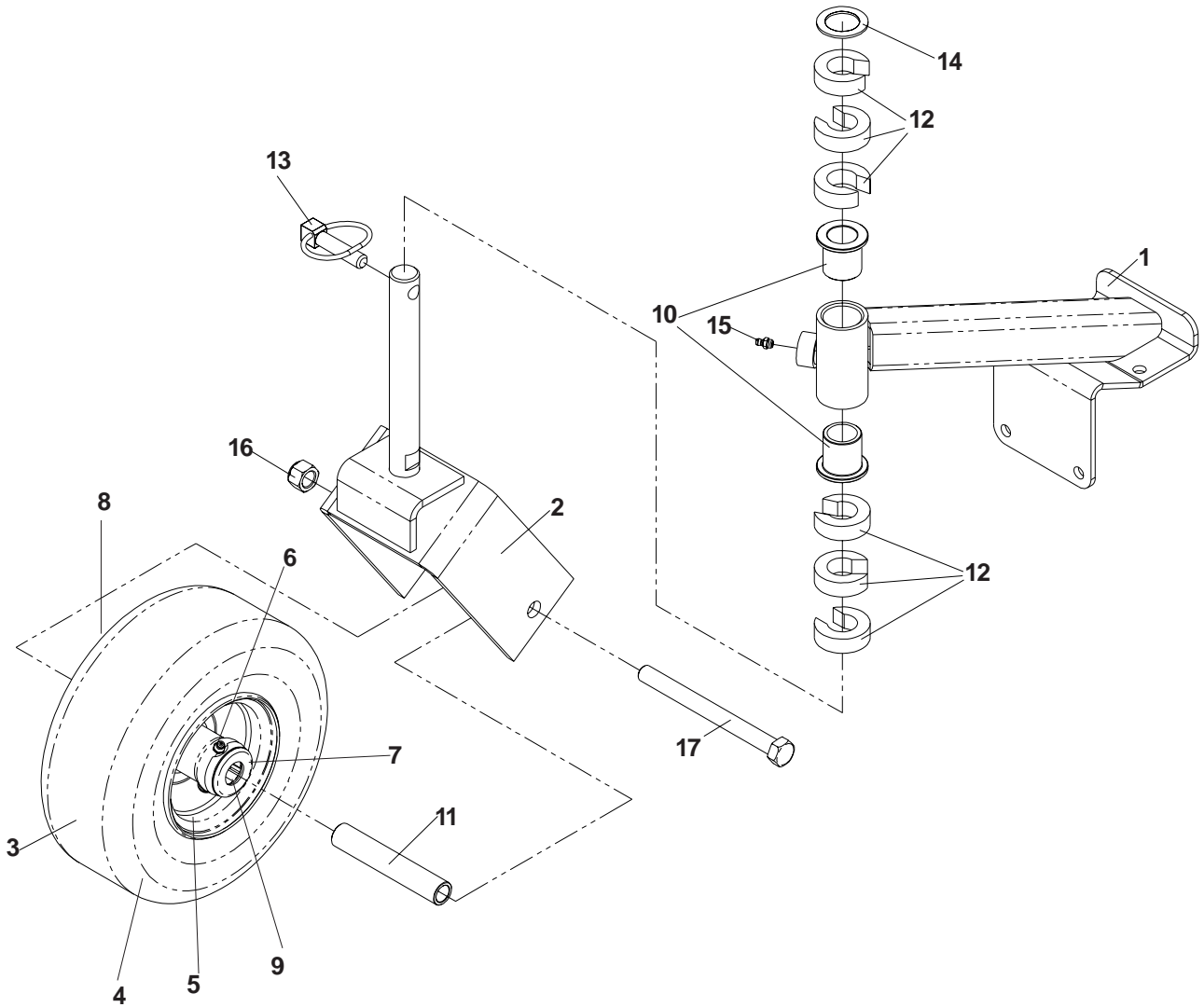
15 HP and 17 HP ENGINE KAWASAKI



15 HP and 17 HP ENGINE KAWASAKI

ITEM	PART NO.	QTY.	DESCRIPTION
1	539109639	1	PULLEY
2	539101995	1	KEY, 1/4" SQ. X 1 1/8"
3	539108266	1	WASHER, 3/8 INTERNAL TOOTH
4	539976935	3	HCS, 5/16-18 X 1 1/2, GR5
5	539990669	1	HCS, 5/16-18 X 1 3/4, GR5
6	539923388	1	HCS, 7/16-20 X 3, GR5
7	539990184	4	NUT, 5/16C, CENTER LOCK
8	539990717	1	NUT, 5/16C, NYLOC
9	539990247	1	LOCKWASHER, 7/16
10	539109245	1	CLUTCH, 125 FT/LB
11	539107937	1	HOSE, OIL DRAIN
12	539912222	4	CLAMP, HOSE
13	539104993	1	FUEL LINE, 14"
14	539916325	1	FUEL VALVE
15	539932956	1	FUEL LINE, 10"
16	539109759	1	SPACER
17	539976966	1	CLAMP, HOSE, 5/16-7/8
	539105637	1	CLUTCH HARNESS (NOT SHOWN)

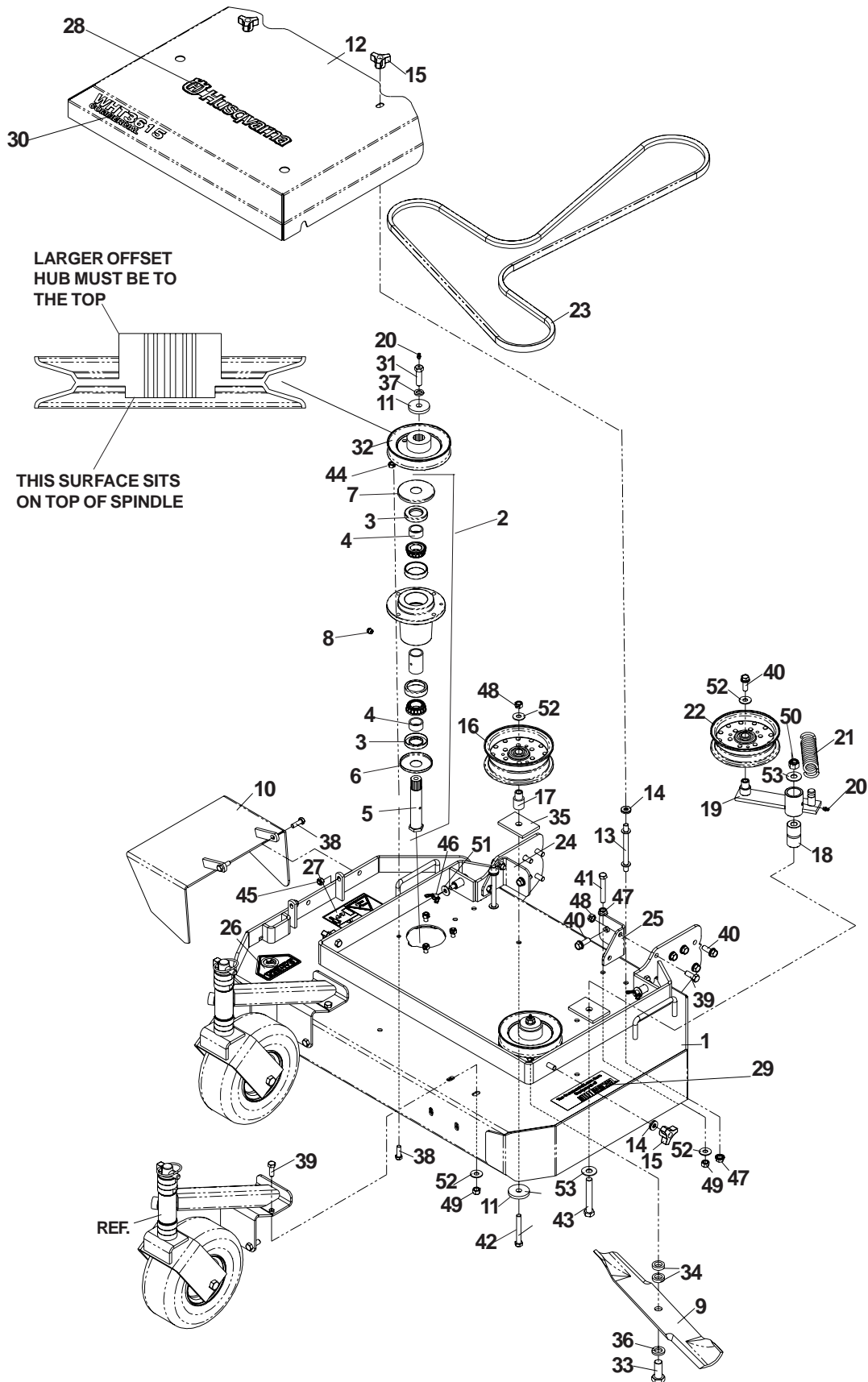
CASTER ASSEMBLY



CASTER ASSEMBLY

ITEM	PART NO.	QTY.	DESCRIPTION
1	539110582	1	CASTER ARM W/BUSHINGS
2	539109063	1	CASTER FORK
3	539104556	1	WHEEL ASSEMBLY
4	539101905	1	TIRE
5	539104618	1	RIM
6	539910003	1	ZERK
7	539923557	1	ENDCAP
8	539977356	1	NOTCHED ENDCAP
9	539977353	2	ROLLER BEARING
	539912234	1	AIR VALVE (NOT SHOWN)
10	539101232	2	BUSHING, FLANGED
11	539101872	1	SPACER
12	539101873	6	"C" SPACER
13	539101874	1	LYNCH PIN, 7/16
14	539916561	1	MACHINERY BUSHING, 1" X 14 GA
15	539976998	1	ZERK
16	539101331	1	NUT, 1/2C, NYLOC
17	539101907	1	HCS, 1/2-13 X 5 1/2, GR5

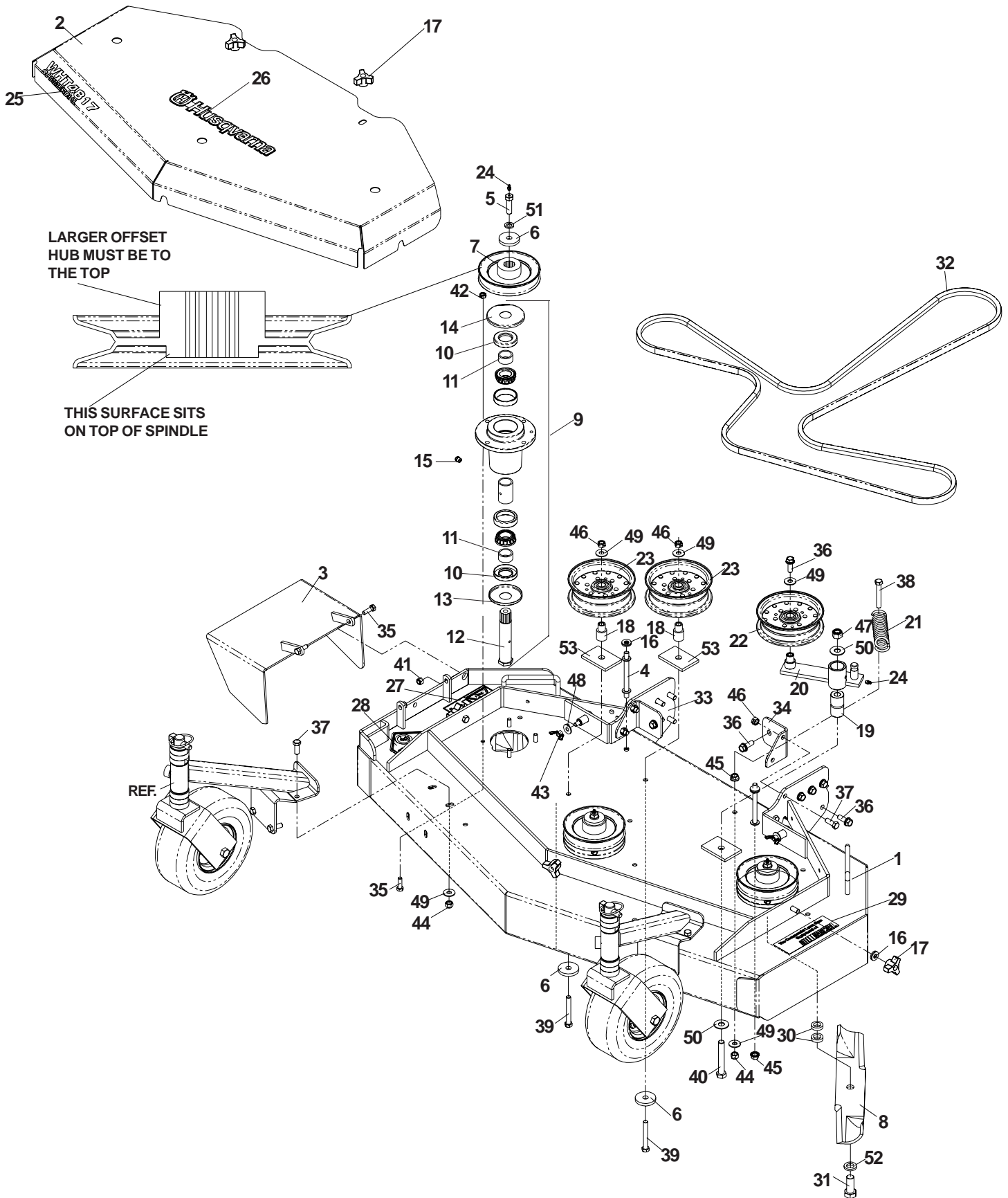
36" DECK ASSEMBLY



36" DECK ASSEMBLY

ITEM	PART NO.	QTY.	DESCRIPTION	ITEM	PART NO.	QTY.	DESCRIPTION
1	539110573	1	36" DECK W/ DECALS	30	539110510	1	DECAL, WHT3615
2	539108763	2	SPINDLE ASSEMBLY, COMPLETE	31	539108766	2	HCS, 7/16-20 X 1 1/2, GR5
3	539108754	2	SHAFT SEAL	32	539107277	2	PULLEY
4	539108758	2	TOP & BOTTOM SPACERS	33	539109578	2	HCS, 5/8-18 X 1 1/2, GR5
5	539108760	1	SPINDLE	34	539976436	4	SPACER, BLADE
6	539108449	1	DUST CUP, BOTTOM	35	539102236	1	PAD
7	539108450	1	DUST CUP, TOP	36	539990333	2	LOCKWASHER, 5/8
8	539977326	1	GREASE POPPET	37	539990247	2	LOCKWASHER, 7/16
9	539100341	2	BLADE, 18"	38	539990209	10	HCS, 5/16-18 X 1, GR5
10	539104546	1	DEFLECTOR CHUTE	39	539990563	12	HCS, 3/8-16 X 1, GR5
11	539106504	3	HEAVY WASHER	40	539990582	11	HCS, 3/8-16 X 1, GR5
12	539109048	1	SHIELD, BELT, 36"	41	539990637	1	HCS, 3/8-16 X 2 1/2, GR5
13	539109049	2	SPACER, SHIELD	42	539102612	1	HCS, 3/8-16 X 2 3/4, GR5
14	539102056	4	WASHER, 3/8, SEALING	43	539103433	1	HCS, 1/2-13 X 3 1/4, GR5
15	539102070	4	KNOB, 3-PRONG	44	539990184	8	NUT, 5/16C, CENTER LOCK
16	539103258	1	IDLER PULLEY (TALL)	45	539990717	2	NUT, 5/16C, NYLOC
17	539103295	1	BUSHING, IDLER	46	539100276	2	NUT, 5/16C, WINGNUT
18	539103427	1	BUSHING, PIVOT	47	539990613	3	NUT, 3/8C
19	539103230	1	IDLER ARM	48	539990546	5	NUT, 3/8C, CENTER LOCK
20	539976998	3	ZERK	49	539976979	9	NUT, 3/8C, NYLOC
21	539103256	1	SPRING	50	539101331	1	NUT, 1/2C, NYLOC
22	539103257	1	IDLER PULLEY	51	539990692	2	WASHER, 5/16
23	539109084	1	BELT, DECK	52	539990517	11	WASHER, 3/8
24	539109053	1	DECK SLIDE, RIGHT	53	539990550	2	WASHER, 1/2
25	539109051	1	DECK SLIDE, LEFT				
26	539913010	1	DECAL, CPSC				
27	539105746	1	DECAL, EURO SEVERING				
28	539200732	1	DECAL, HUSQVARNA				
29	539105071	1	DECAL, NASCAR				

48" DECK ASSEMBLY



48" DECK ASSEMBLY

ITEM	PART NO.	QTY.	DESCRIPTION	ITEM	PART NO.	QTY.	DESCRIPTION
1	539110575	1	48" DECK W/ DECALS	30	539976436	4	SPACER, BLADE
2	539109081	1	SHIELD, BELT, 48"	31	539109578	3	HCS, 5/8-18 X 1 1/2, GR5
3	539104546	1	DEFLECTOR CHUTE	32	539109244	1	BELT, DECK
4	539109049	2	SPACER, SHIELD	33	539109053	1	DECK SLIDE, RIGHT
5	539108766	3	HCS, 7/16-20 X 1 1/2, GR5	34	539109051	1	DECK SLIDE, LEFT
6	539106504	5	HEAVY WASHER	35	539990209	14	HCS, 5/16-18 X 1, GR5
7	539107277	3	PULLEY	36	539990582	11	HCS, 3/8-16 X 1, GR5
8	539100340	2	BLADE, 16 1/4"	37	539990563	12	HCS, 3/8-16 X 1, GR5
9	539108763	2	SPINDLE ASSEMBLY, COMPLETE	38	539990637	1	HCS, 3/8-16 X 2 1/2, GR5
10	539108754	2	SHAFT SEAL	39	539102612	2	HCS, 3/8-16 X 2 3/4, GR5
11	539108758	2	TOP & BOTTOM SPACERS	40	539103433	1	HCS, 1/2-13 X 3 1/4, GR5
12	539108760	1	SPINDLE	41	539990717	2	NUT, 5/16C, NYLOC
13	539108449	1	DUST CUP, BOTTOM	42	539990184	12	NUT, 5/16C, CENTER LOCK
14	539108450	1	DUST CUP, TOP	43	539100276	2	NUT, 5/16C, WINGNUT
15	539977326	1	GREASE POPPET	44	539976979	9	NUT, 3/8C, NYLOC
16	539102056	4	WASHER, 3/8, SEALING	45	539990613	3	NUT, 3/8C
17	539102070	4	KNOB, 3-PRONG	46	539990546	5	NUT, 3/8C, CENTER LOCK
18	539103295	1	BUSHING, IDLER	47	539101331	1	NUT, 1/2C, NYLOC
19	539103427	1	BUSHING, PIVOT	48	539990692	2	WASHER, 5/16
20	539103230	1	IDLER ARM	49	539990517	12	WASHER, 3/8
21	539103256	1	SPRING	50	539990550	2	WASHER, 1/2
22	539103257	1	IDLER PULLEY	51	539990247	3	LOCKWASHER, 7/16
23	539103258	2	IDLER PULLEY (TALL)	52	539990333	3	LOCKWASHER, 5/8
24	539976998	3	ZERK	53	539102236	2	PAD
25	539110511	1	DECAL, WHT4817				
26	539200732	1	DECAL, HUSQVARNA				
27	539105746	1	DECAL, EURO SEVERING				
28	539913010	1	DECAL, CPSC				
29	539105071	1	DECAL, NASCAR				

For Husqvarna Parts Call 606-678-9623 or 606-561-4983



www.mymowerparts.com