



Illustrated
Parts List

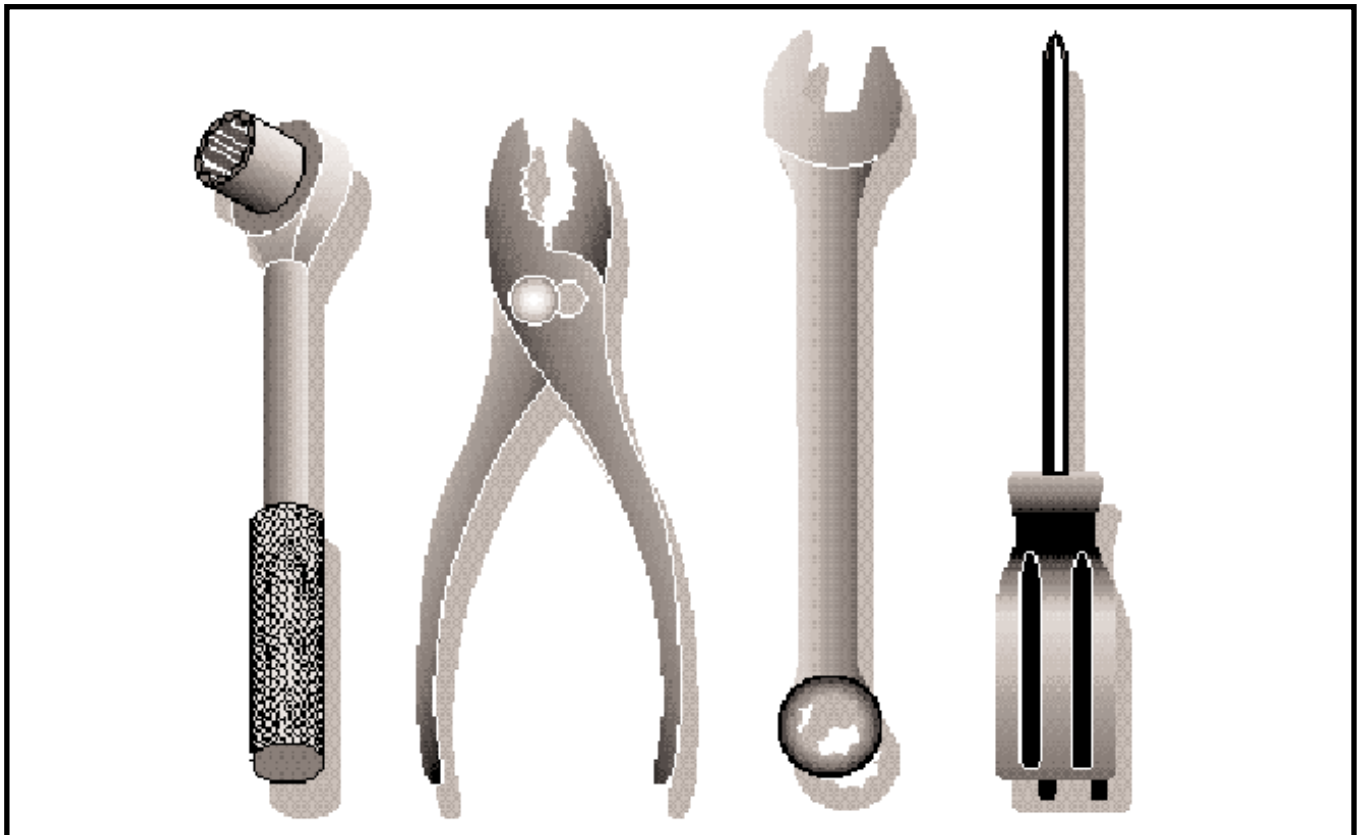
2004-02

I0402010

Walk Mower

5521RS D

954223470



Repair Parts Manual

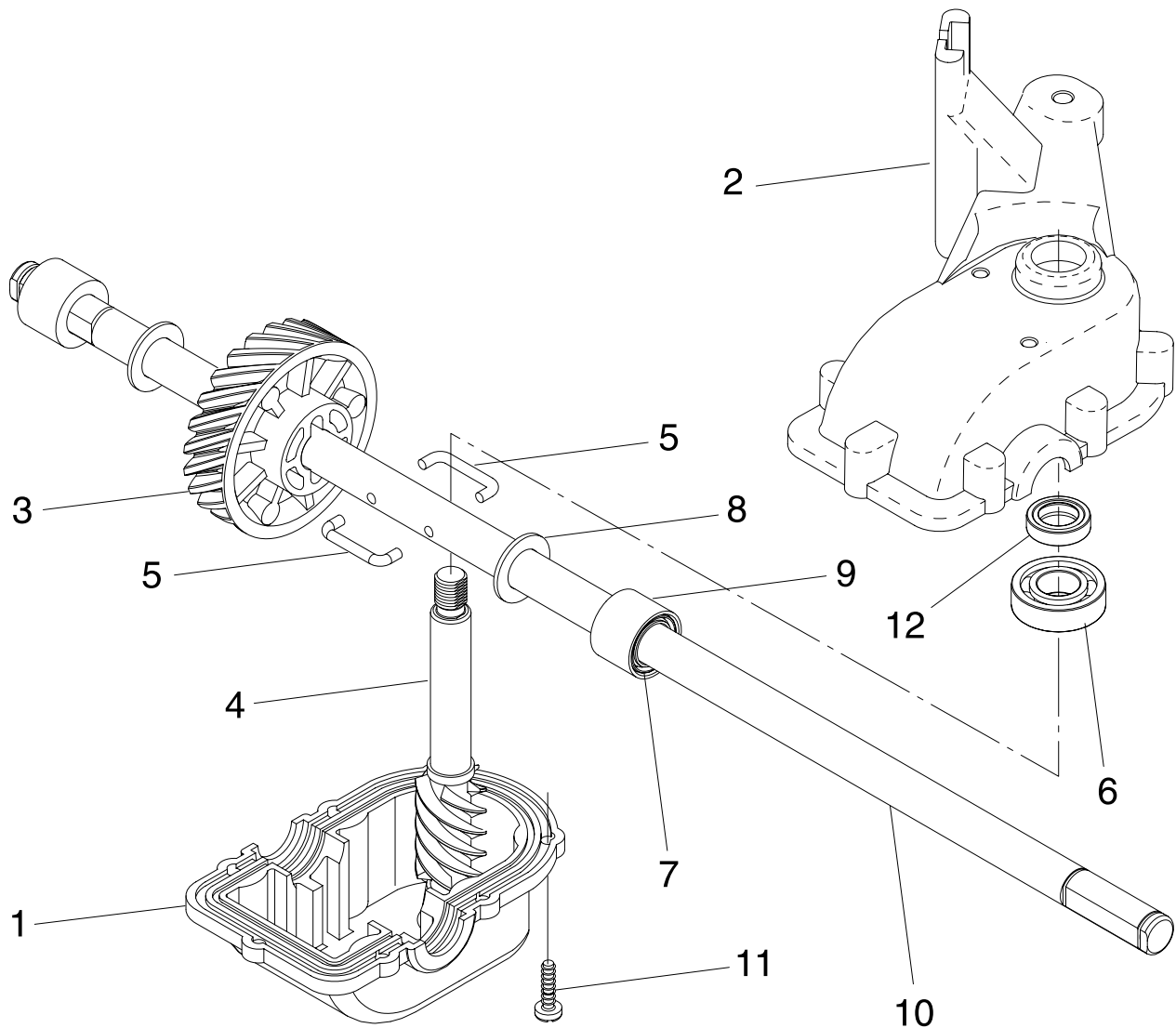
For Husqvarna Parts Call 606-678-9623 or 606-561-4983

For Husqvarna Parts Call 606-678-9623 or 606-561-4983

ROTARY LAWN MOWER

MODEL NUMBER 5521RS (5521RSD) - PRODUCT NUMBER 954 22 34-70

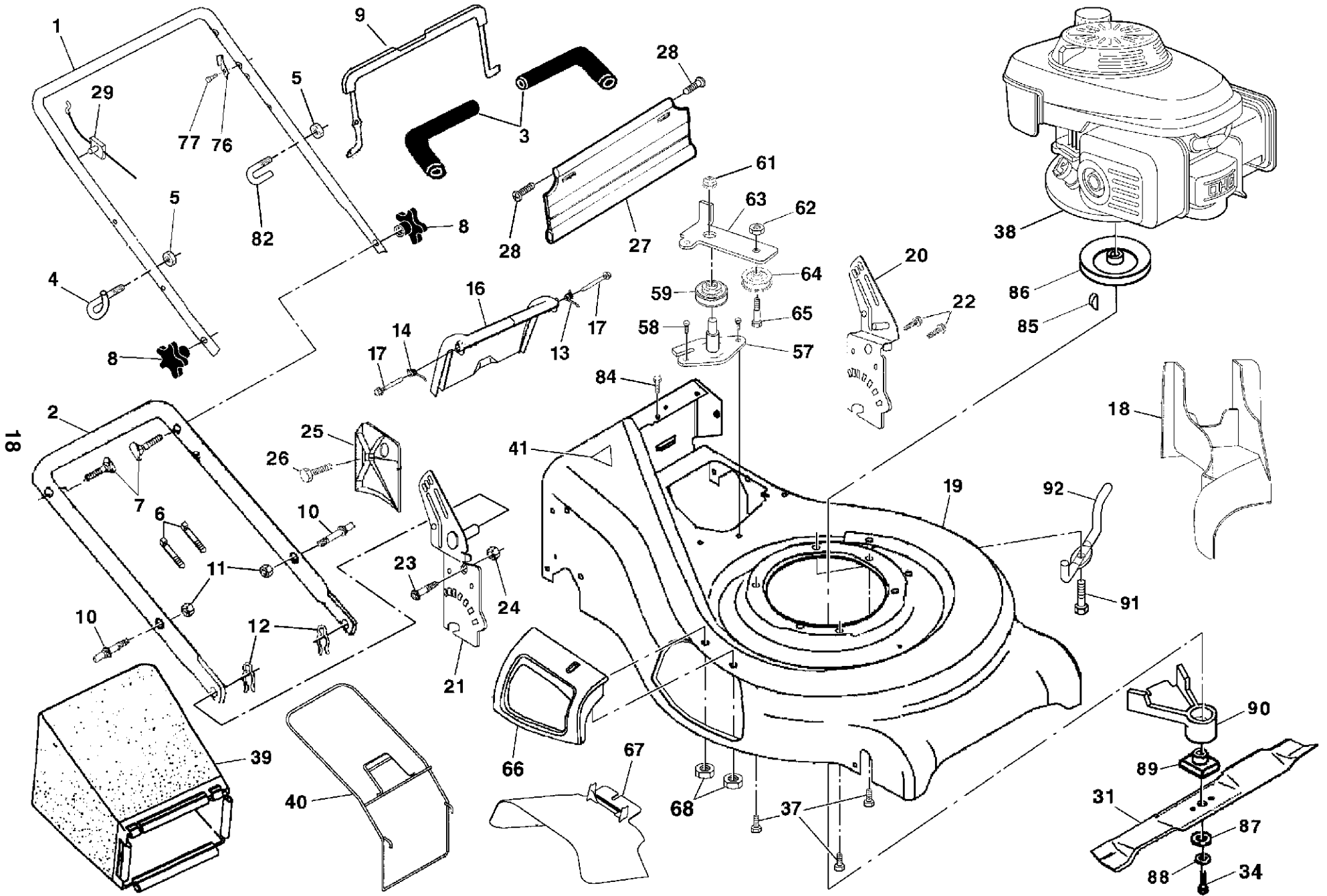
GEAR CASE ASSEMBLY - PART NUMBER 532 18 86-45



KEY NO.	PART NO.	DESCRIPTION
1	532 18 75-30	Case, Lower
2	532 18 75-31	Case, Upper
3	532 18 75-32	Gear, 24 Teeth
4	532 18 75-33	Shaft, Input
5	532 19 12-49	Wire, Formed
6	532 18 35-06	Bearing, Ball
7	532 18 35-08	Seal, Output Shaft
8	532 18 35-09	Washer
9	532 18 35-11	Bushing
10	532 19 09-48	Shaft, Output
11	532 18 35-13	Screw
12	532 18 35-14	Seal, Input Shaft
--	532 75 03-69	Grease, Texaco Starplex Premium 1 (Do not substitute) (1.4 ounce capacity)

NOTE: All component dimensions given in U.S. inches.
1 inch = 25.4 mm

ROTARY LAWN MOWER - - MODEL NUMBER 5521RS (5521RSD) - PRODUCT NUMBER 954 22 34-70



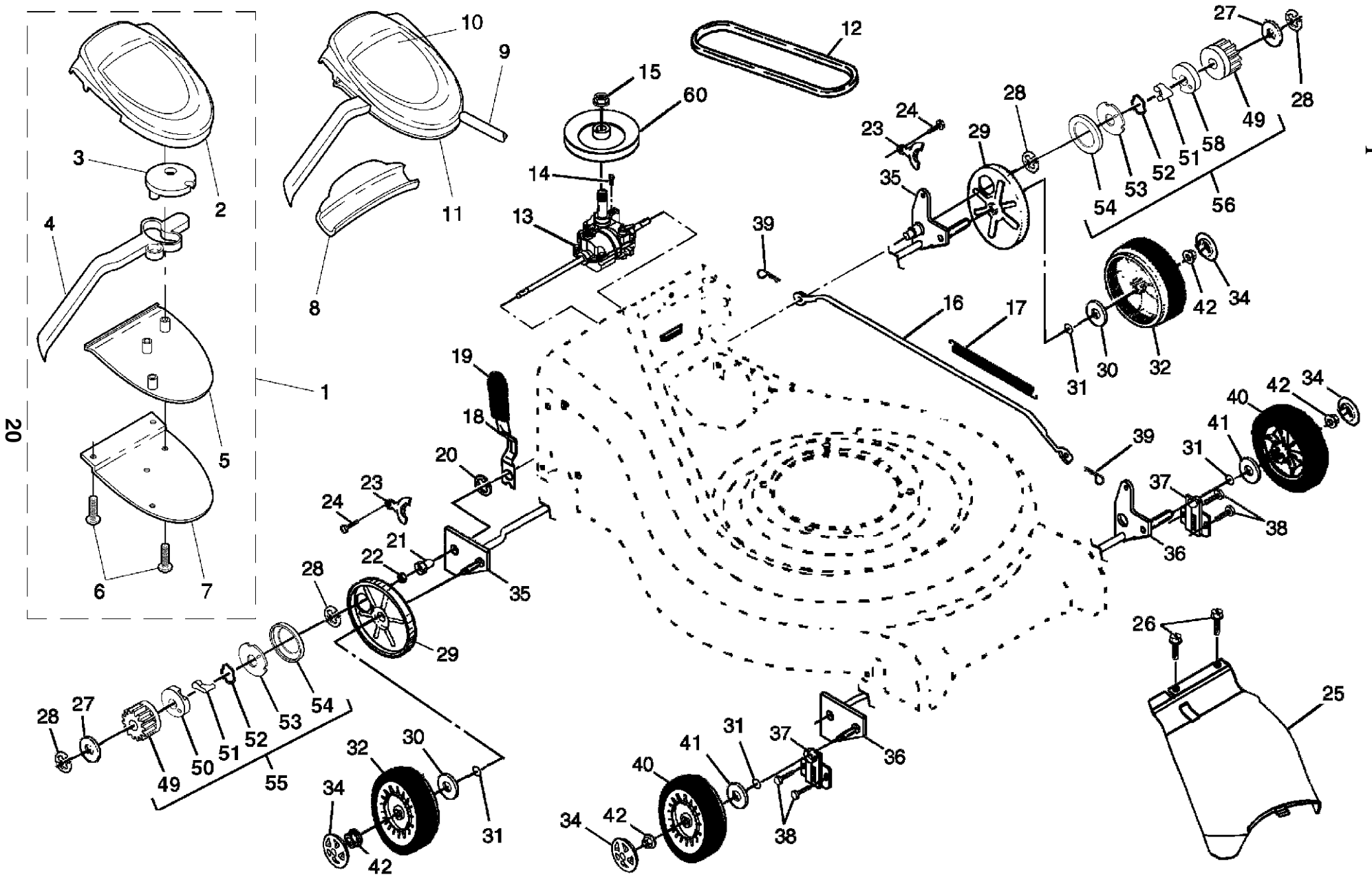
ROTARY LAWN MOWER - - MODEL NUMBER 5521RS (5521RSD) - PRODUCT NUMBER 954 22 34-70

KEY NO.	PART NO.	DESCRIPTION
1	532 18 97-40	Handle, Upper (Includes Foam Grip)
2	532 17 42-05	Handle, Lower
3	532 18 27-48	Grip, Handle, Foam, Smooth
4	532 17 95-85	Guide, Rope, Side
5	532 13 20-04	Nut, Hex Lockwasher Insert 1/4-20
6	532 06 64-26	Wire, Tie
7	532 13 19-59	Bolt, Handle 5/16-18 x 1.75
8	532 18 55-88	Knob, Handle
9	532 19 06-20	Bail, Flat, Auto-Walk, Orange
10	532 18 88-12	Bolt, Carriage
11	873 93 05-00	Nut, Hex, Centerlock 5/16-18 UNC
12	532 05 17-93	Cotter, Hairpin
13	532 18 60-52	Spring, Rear Door, LH
14	532 18 60-53	Spring, Rear Door, RH
16	532 19 05-74	Rear Door Assembly
17	532 18 41-93	Bolt, Rear Door
18	532 18 75-35	Plug, Mulcher
19	532 18 56-01	Kit, Housing
20	532 19 05-63	Handle Bracket Assembly, LH
21	532 19 05-64	Handle Bracket Assembly, RH
22	532 15 00-78	Screw, Hex Washer Head
23	532 16 31-83	Bolt, Hex Head 5/16-18 x 5/8
24	873 80 05-00	Nut, Hex, with Lock Washer Insert 5/16-18
25	532 16 13-33	Baffle, Side
26	532 16 34-09	Screw 12 x 5/8
27	532 18 89-86	Skirt, Rear
28	532 08 86-52	Screw, Hinge 1/4-20 x 1.25
29	532 18 27-55	Engine Zone Control Cable
31	532 18 90-28	Blade, 21"
34	532 85 10-84	Screw, Hex Head 3/8-24 x 1.38
37	532 15 04-06	Bolt, Engine

KEY NO.	PART NO.	DESCRIPTION
38	- - -	Engine, Honda, Model Number GCV160 (For engine service and replacement parts, call Honda at 1-800-426-7701)
39	532 18 72-40	Grassbag
40	532 18 88-17	Frame, Grassbag
41	532 10 73-39	Danger Decal
57	532 18 58-99	Bracket Assembly
58	532 05 78-08	Screw
59	532 18 45-43	Pulley Assembly, V-Groove
61	532 14 52-12	Flange Nut
62	532 15 55-52	Locknut
63	532 18 58-98	Idler Arm
64	532 16 60-43	Idler Pulley
65	532 16 08-29	Shoulder Bolt
66	532 19 05-10	Mulcher Door Assembly
67	532 19 05-12	Deflector, Discharge
68	532 08 83-49	Nut, Hex
76	532 12 51-62	Bracket, Upstop
77	532 75 06-34	Screw
82	532 18 20-03	Clip
84	532 05 45-83	Screw
85	532 18 77-23	Hi-Pro Key
86	532 18 49-41	Pulley, Engine
87	532 85 10-74	Washer, Hardened
88	532 85 02-63	Lockwasher, Helical Spring 3/8
89	532 18 45-90	Adapter, Blade
90	532 18 87-86	Debris Shield
91	532 18 80-40	Screw
92	532 19 09-39	Mounting Bracket, Debris Shield
- -	532 16 23-00	Warning Decal (not shown)
- -	532 19 13-80	Owner's Manual, English / French

NOTE: All component dimensions given in U.S. inches.
1 inch = 25.4 mm

ROTARY LAWN MOWER - - MODEL NUMBER 5521RS (5521RSD) - PRODUCT NUMBER 954 22 34-70



ROTARY LAWN MOWER - - MODEL NUMBER 5521RS (5521RSD) - PRODUCT NUMBER 954 22 34-70

KEY NO.	PART NO.	DESCRIPTION
1	532 18 97-41	Drive Control Assembly, Auto-Walk
2	532 18 82-79	Cover, Top, Auto-Walk Drive Control
3	532 18 73-53	Pulley
4	532 19 00-39	Lever, Auto-Walk Drive Control
5	532 18 82-78	Cover, Bottom, Auto-Walk Drive Control
6	532 18 16-98	Screw, Phillips Head #10 x 5/8
7	532 18 70-97	Plate, Trigger, Auto-Walk Drive Control
8	532 18 62-97	Cap, Drive Control, Bottom
9	532 19 02-84	Cable, Drive Control
10	532 18 90-74	Decal, Drive Control
11	532 18 59-13	Decal, Drive Control Adjustment (bottom)
12	532 18 22-12	V-Belt
13	532 18 86-45	Gear Case Assembly (See Breakdown)
14	532 18 76-53	Screw
15	532 13 20-10	Nut, Hex, Flangelock, Zinc Plated 3/8-16
16	532 16 15-84	Rod, Connecting
17	532 16 16-02	Spring, Extension
18	532 19 07-94	Spring Selector
19	532 19 06-22	Knob, Selector Spring
20	812 00 00-22	E-Ring
21	532 16 33-65	Bearing, Support
22	532 16 99-11	Bearing, Ball
23	532 16 45-55	Retainer, Drive Assembly, Stamped
24	532 05 78-08	Screw, Tapping, Hex Head 1/4-20 x .75
25	532 19 05-14	Cover Drive
26	532 75 06-34	Screw, Threaded, Rolled #10-25 x .50
27	532 05 21-60	Washer

KEY NO.	PART NO.	DESCRIPTION
28	812 00 00-58	E-Ring 7/16
29	532 18 94-03	Cover, Dust, Wheel
30	532 06 77-25	Washer 1/2 x 1-1/2 x .134
31	532 18 81-52	O-Ring
32	532 18 07-53	Wheel 9 x 2
34	532 18 06-26	Hubcap
35	532 19 07-93	Shaft Assembly, Rear
36	532 16 45-50	Shaft Assembly, Front
37	532 16 14-63	Retainer, Front Shaft
38	532 16 34-09	Screw #12 x 5/8
39	532 70 02-79	Clip, Retainer
40	532 14 35-93	Wheel 8 x 2
41	532 08 83-48	Washer, Flat 3/8
42	532 08 39-23	Nut, Hex, Flangelock 3/8-16
49	532 17 51-03	Gear, Pinion
50	532 17 51-02	Retainer, Drive, RH
51	532 17 50-98	Pawl
52	532 18 82-91	Spring, Torsion
53	532 17 51-04	Disc, Drive
54	532 18 41-72	Seal, Friction
55	532 18 83-30	Pinion Assembly, RH
56	532 18 83-31	Pinion Assembly, LH
58	532 17 51-05	Retainer, Drive, LH
60	532 18 94-08	Pulley, Drive

NOTE: All component dimensions given in U.S. inches.
1 inch = 25.4 mm