



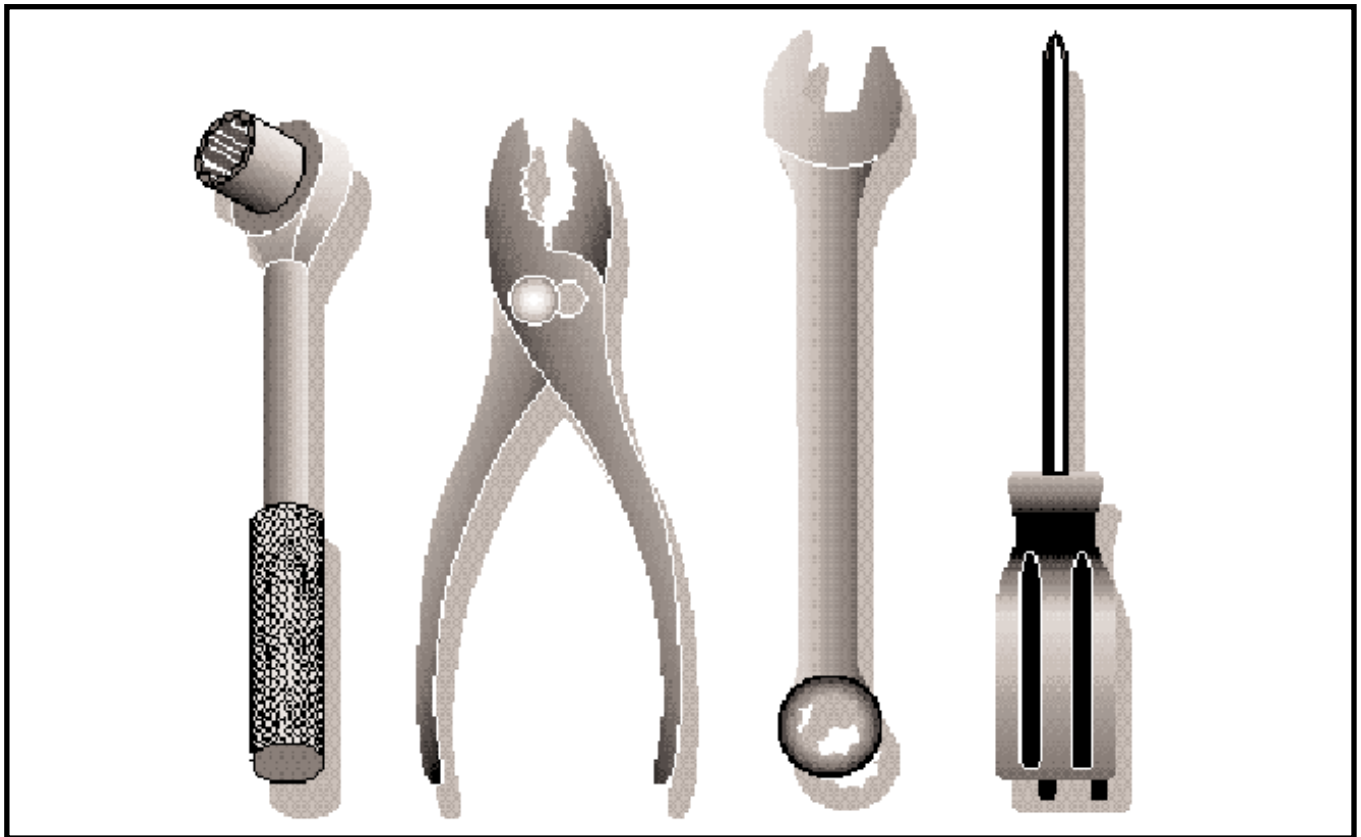
Illustrated
Parts List

2003-01

10307004

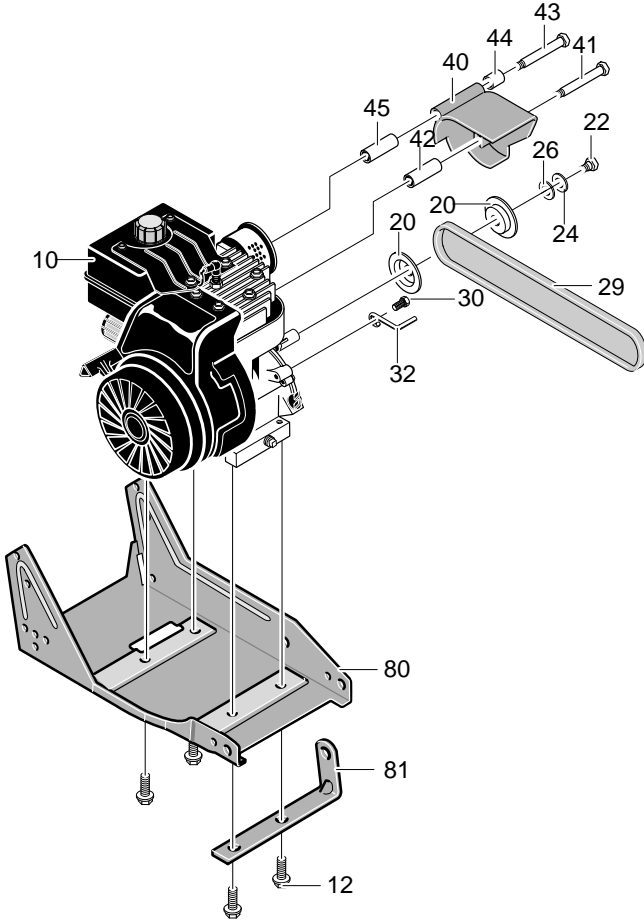
Edger

LE 389



Repair Parts Manual

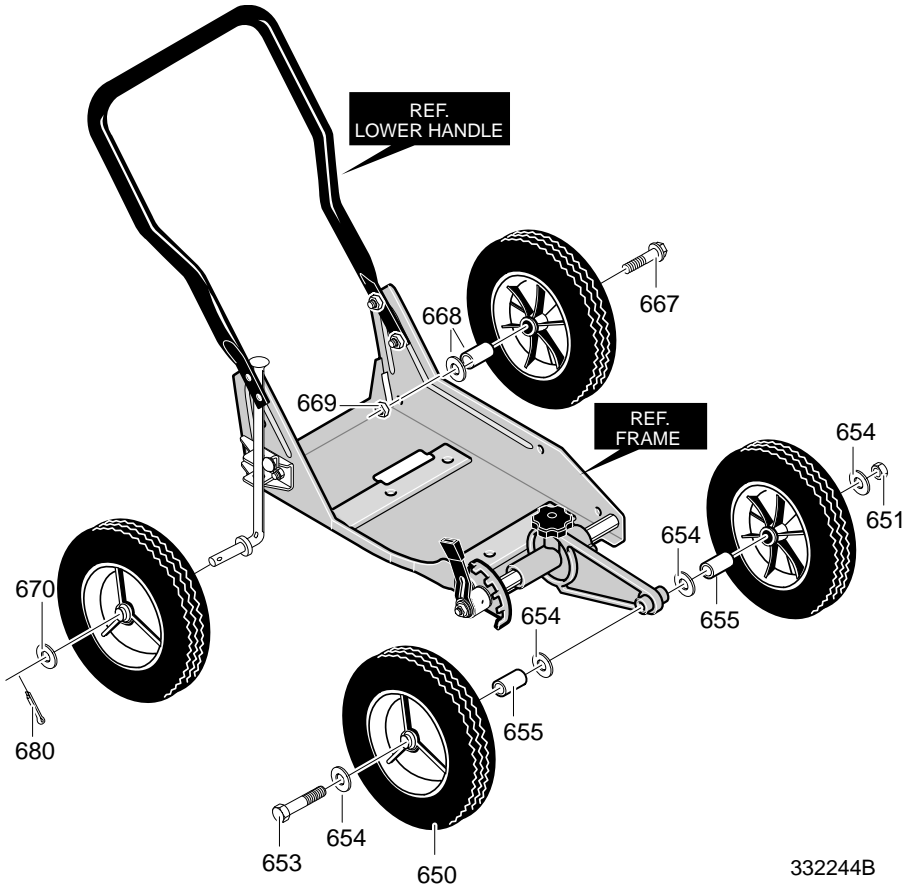
For Husqvarna Parts Call 606-678-9623 or
MODEL LE389 606-561-4983
FACTORY NO. 13051x37NA



323095F

| KEY NO. | PART NO. | DESCRIPTION | KEY NO. | PART NO. | DESCRIPTION |
|---------|--------------|-----------------------|---------|--------------|----------------------|
| 10 | ----- | Engine | 40 | 601 00 22 04 | Cover, Engine Pulley |
| 12 | 601 00 08 35 | Screw, 3/8-16x1.00 | 41 | 601 00 00 80 | Screw, 5/16-24x3.00 |
| 20 | 601 00 22 03 | Pulley, Half | 42 | 601 00 22 05 | Spacer, Sleeve |
| 22 | 601 00 13 27 | Screw, 5/16-24x1.00 | 43 | 601 00 22 06 | Screw, 5/16-24x3.75 |
| 24 | 601 00 00 23 | Washer | 44 | 601 00 22 07 | Spacer |
| 26 | 601 00 05 47 | Flatwasher | 45 | 601 00 22 05 | Spacer, Sleeve |
| 29 | 601 00 05 09 | Belt, V4L 32.60LG | 80 | 601 00 22 08 | Frame, Assy. Edger |
| 30 | 601 00 14 33 | Screw and Washer Assy | 81 | 601 00 22 09 | Strap |
| 32 | 601 00 05 80 | Guide, Belt | -- | 601 00 24 69 | Instruction Manual |

For Husqvarna Parts Call 606-678-9623 or
MODEL LE389 606-561-4983
FACTORY NO. 13051x37NA



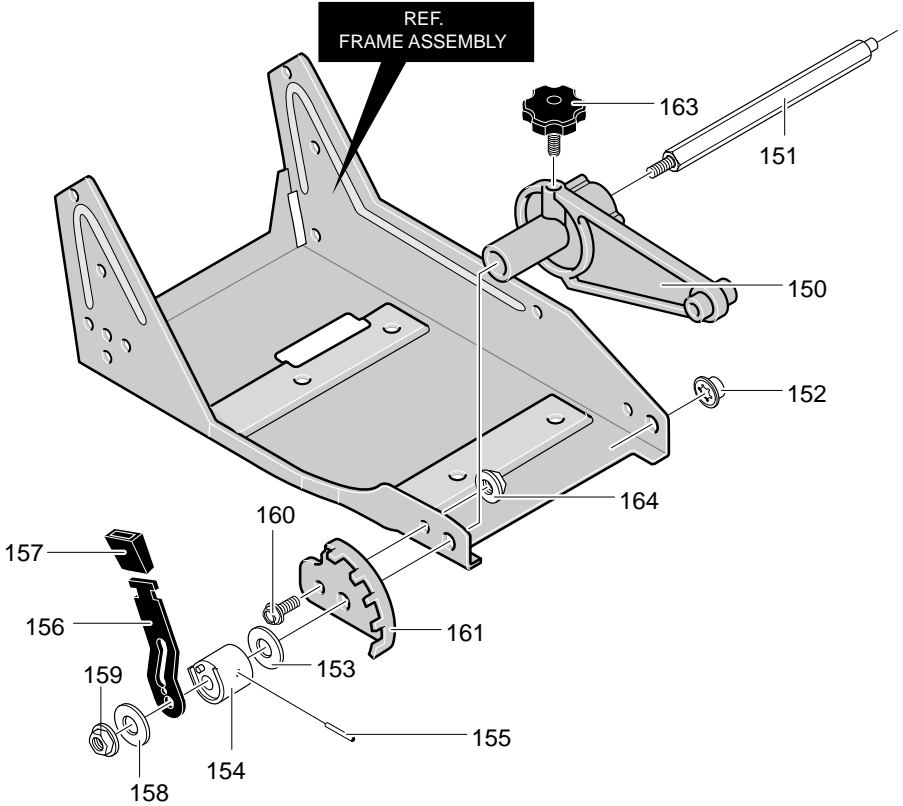
| KEY NO. | PART NO. | DESCRIPTION | KEY NO. | PART NO. | DESCRIPTION |
|---------|--------------|---------------------|---------|--------------|------------------|
| 650 | 601 00 22 49 | Tire & Rim | 667 | 601 00 22 50 | Bolt, SHH 3/8-16 |
| 651 | 601 00 08 67 | Nut, 5/16-18 | 668 | 601 00 22 51 | Spacer & Washer |
| 653 | 601 00 00 86 | Screw, 5/16-18x4.50 | 669 | 601 00 05 42 | Nut, 3/8-16 |
| 654 | 601 00 00 19 | Flatwasher | 670 | 601 00 01 09 | Flatwasher |
| 655 | 601 00 05 87 | Spacer, Sleeve | 680 | 601 00 00 25 | Cotter Pin |

For Husqvarna Parts Call 606-678-9623 or

MODEL LE389

606-561-4983

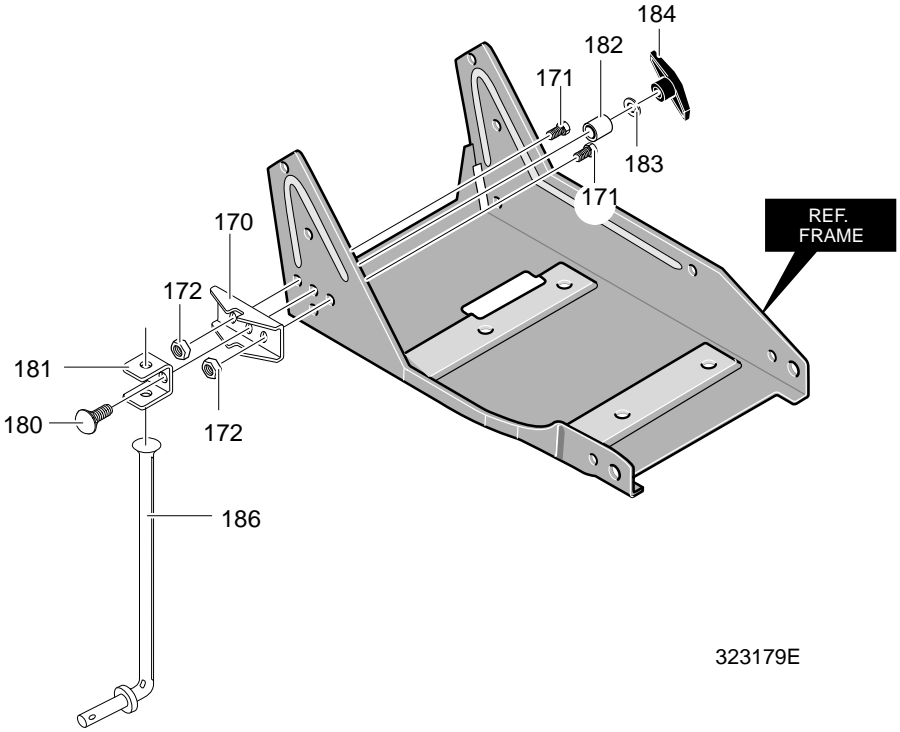
FACTORY NO. 13051x37NA



331765E

| KEY NO. | PART NO. | DESCRIPTION | KEY NO. | PART NO. | DESCRIPTION |
|---------|--------------|-----------------------|---------|--------------|----------------------|
| 150 | 601 00 22 33 | Front Wheel Arm | 157 | 601 00 20 40 | Knob, Rectangle |
| 151 | 601 00 22 34 | Rod, Front Mount Curb | 158 | 601 00 00 94 | Flatwasher |
| 152 | 601 00 22 35 | Pushnut, Washer | 159 | 601 00 22 41 | Nut |
| 153 | 601 00 22 36 | Plastic Washer | 160 | 601 00 22 27 | Screw, 5/16-18x.63 |
| 154 | 601 00 22 37 | Spacer, Height Adjust | 161 | 601 00 22 42 | Plate, Height Adjust |
| 155 | 601 00 22 38 | Pin, Spring | 163 | 601 00 22 43 | Knob, Molded |
| 156 | 601 00 22 39 | Lever, Height Adjust | 164 | 601 00 08 67 | Nut, 5/16-18 |

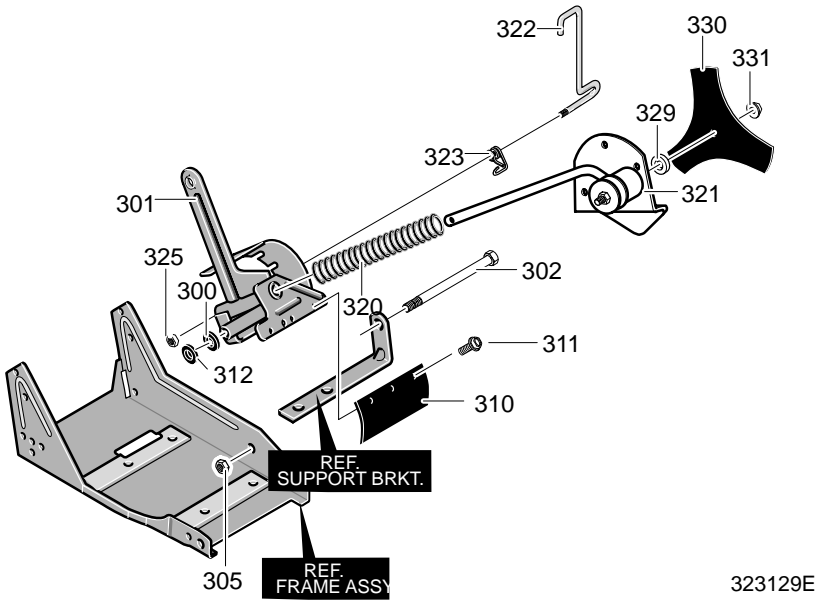
For Husqvarna Parts Call 606-678-9623 or
MODEL LE389 606-561-4983 **FACTORY NO. 13051x37NA**



323179E

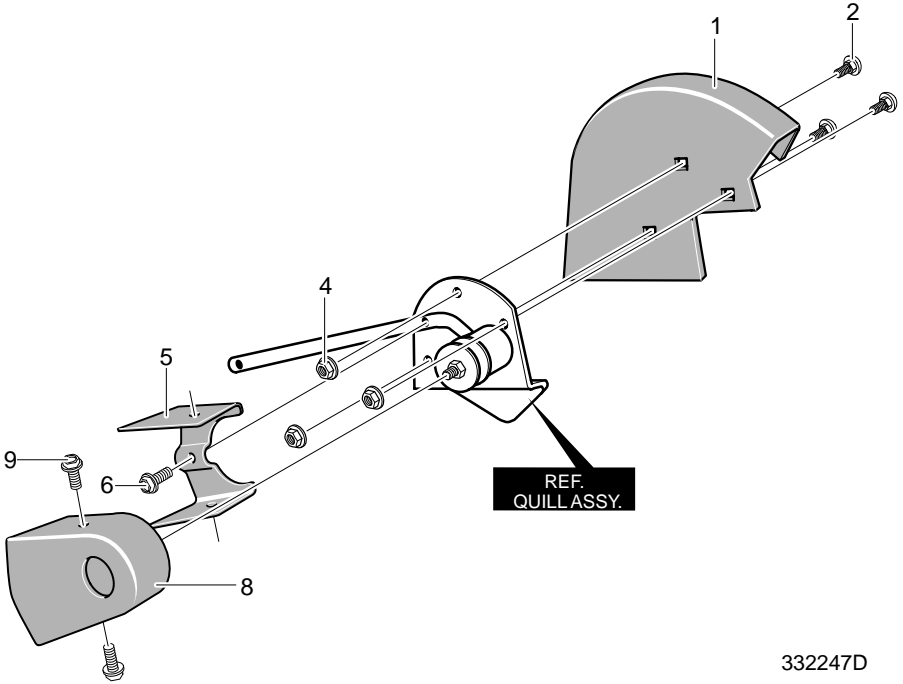
| KEY NO. | PART NO. | DESCRIPTION | KEY NO. | PART NO. | DESCRIPTION |
|---------|--------------|-----------------------|---------|--------------|--------------------|
| 170 | 601 00 06 47 | Bracket, Curb Hop Mnt | 182 | 601 00 19 71 | Spacer, Sleeve |
| 171 | 601 00 00 73 | Screw, 5/16-18x.75 | 183 | 601 00 00 19 | Flatwasher |
| 172 | 601 00 00 59 | Nut, 5/16-18 | 184 | 601 00 06 84 | Knob, Wing 5/16-18 |
| 180 | 601 00 19 70 | Bolt, 5/16-18x2.00 | 186 | 601 00 19 72 | Rod, Wheel Support |
| 181 | 601 00 06 55 | Clevis | | | |

For Husqvarna Parts Call 606-678-9623 or
MODEL LE389 606-561-4983
FACTORY NO. 13051x37NA



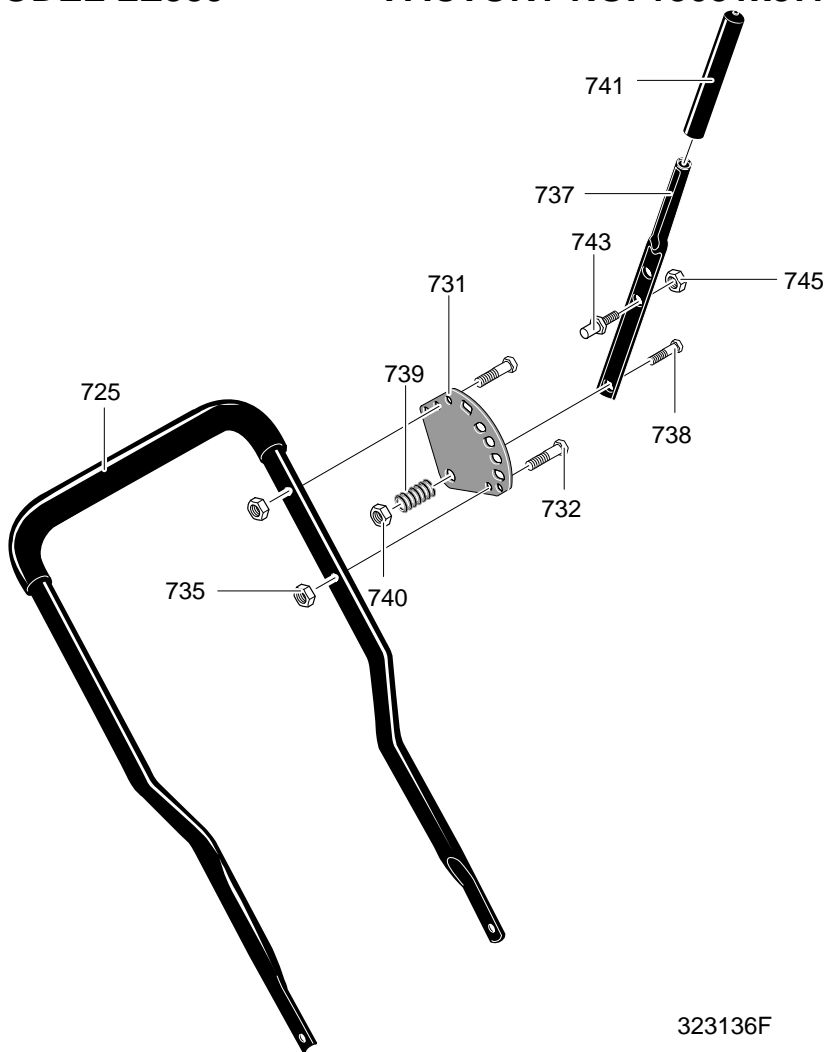
| KEY NO. | PART NO. | DESCRIPTION | KEY NO. | PART NO. | DESCRIPTION |
|---------|--------------|---------------------|---------|--------------|-----------------|
| 300 | 601 00 00 21 | Flatwasher | 321 | 601 00 21 97 | Quill Assembly |
| 301 | 601 00 21 96 | Quill Support | 322 | 601 00 22 44 | Lever, Index |
| 302 | 601 00 22 16 | Bolt, 3/8-16 | 323 | 601 00 22 45 | Spring, Torsion |
| 305 | 601 00 24 07 | Nut, 3/8-16 | 325 | 601 00 22 59 | Nut, 5/16-18 |
| 310 | 601 00 22 17 | Rubber Deflector | 329 | 601 00 00 94 | Flatwasher |
| 311 | 601 00 22 18 | Screw, 10-16x1.50 | 330 | 601 00 22 46 | Blade, Edger |
| 312 | 601 00 22 13 | Flatwasher | 331 | 601 00 05 52 | Nut, 1/2-20 |
| 320 | 601 00 23 14 | Spring, Compression | | | |

For Husqvarna Parts Call 606-678-9623 or
MODEL LE389 606-561-4983
FACTORY NO. 13051x37NA



| KEY NO. | PART NO. | DESCRIPTION |
|---------|--------------|----------------------------|
| 1 | 601 00 22 10 | Blade Guard |
| 2 | 601 00 07 86 | Bolt, Carriage 5/16-18x.63 |
| 4 | 601 00 08 67 | Nut, 5/16-18 |
| 5 | 601 00 22 11 | Guide, Belt Front |
| 6 | 601 00 21 95 | Screw, 1/4-20x.50 |
| 8 | 601 00 19 78 | Cover, Quill Pulley |
| 9 | 601 00 24 70 | Screw, 10-16x.50 |

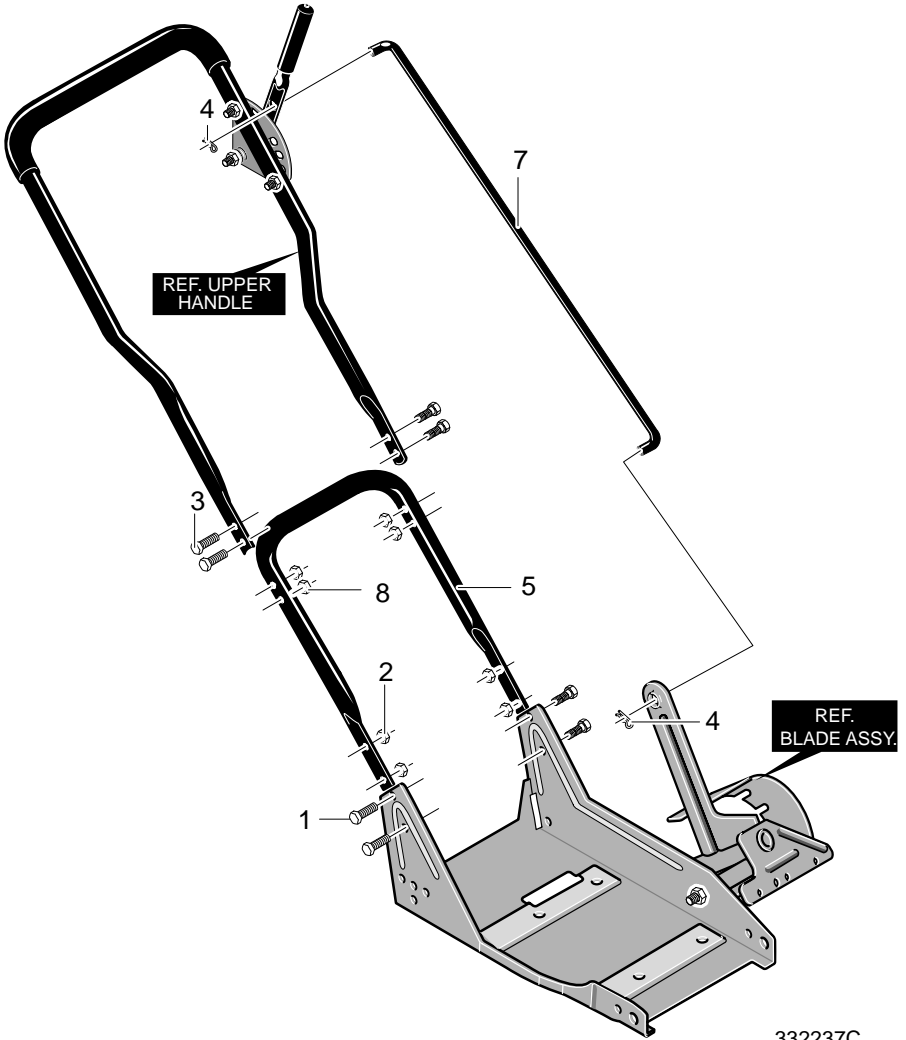
For Husqvarna Parts Call 606-678-9623 or
MODEL LE389 606-561-4983
FACTORY NO. 13051x37NA



323136F

| KEY NO. | PART NO. | DESCRIPTION |
|---------|--------------|---------------------|
| 725 | 601 00 21 98 | Upper Handle & Foam |
| 731 | 601 00 22 22 | Selector Plate |
| 732 | 601 00 00 69 | Screw, 1/4-20x1.25 |
| 735 | 601 00 23 18 | Nut, 1/4-20 |
| 737 | 601 00 22 23 | Depth Adjust Handle |
| 738 | 601 00 19 84 | Screw, 5/16-18x1.25 |

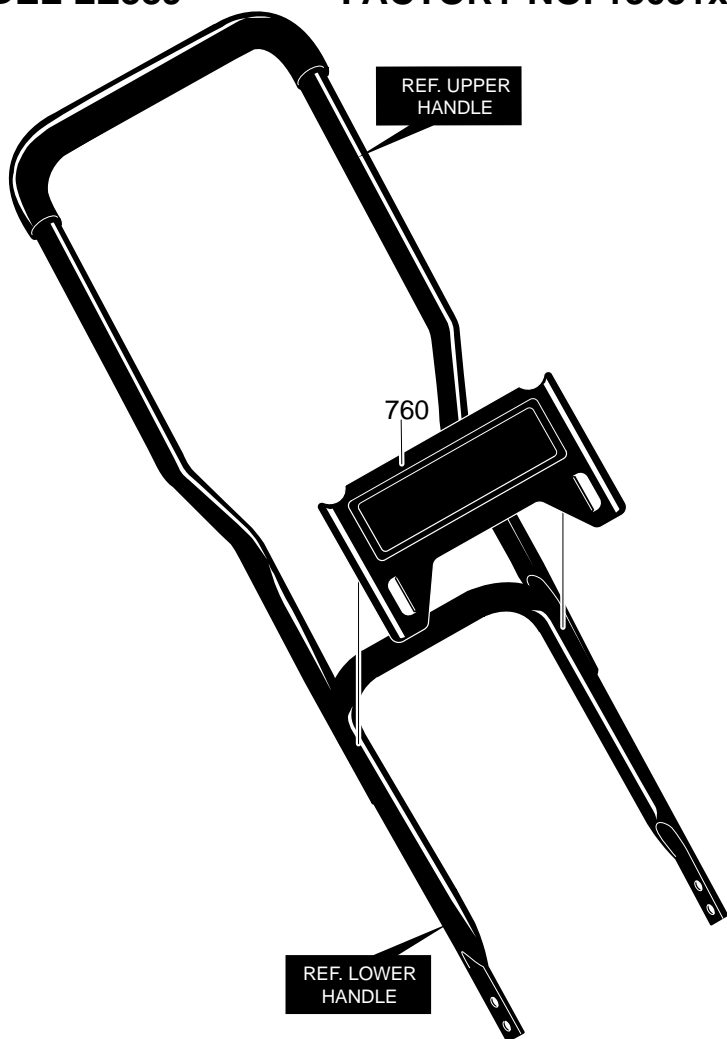
| KEY NO. | PART NO. | DESCRIPTION |
|---------|--------------|---------------------|
| 739 | 601 00 01 01 | Spring, Compression |
| 740 | 601 00 00 59 | Nut, 5/16-18 |
| 741 | 601 00 22 48 | Grip, Hand |
| 743 | 601 00 22 25 | Stud |
| 745 | 601 00 24 07 | Nut, 3/8-16 |



332237C

| KEY NO. | PART NO. | DESCRIPTION | KEY NO. | PART NO. | DESCRIPTION |
|---------|--------------|--------------------|---------|--------------|--------------|
| 1 | 601 00 22 27 | Screw, 5/16-18x.63 | 5 | 601 00 22 28 | Lower Handle |
| 2 | 601 00 00 59 | Nut, 5/16-18 | 7 | 601 00 22 47 | Control Rod |
| 3 | 601 00 12 94 | Bolt, 5/16-18x1.63 | 8 | 601 00 00 59 | Nut 5/16-18 |
| 4 | 601 00 05 23 | Hair Pin | | | |

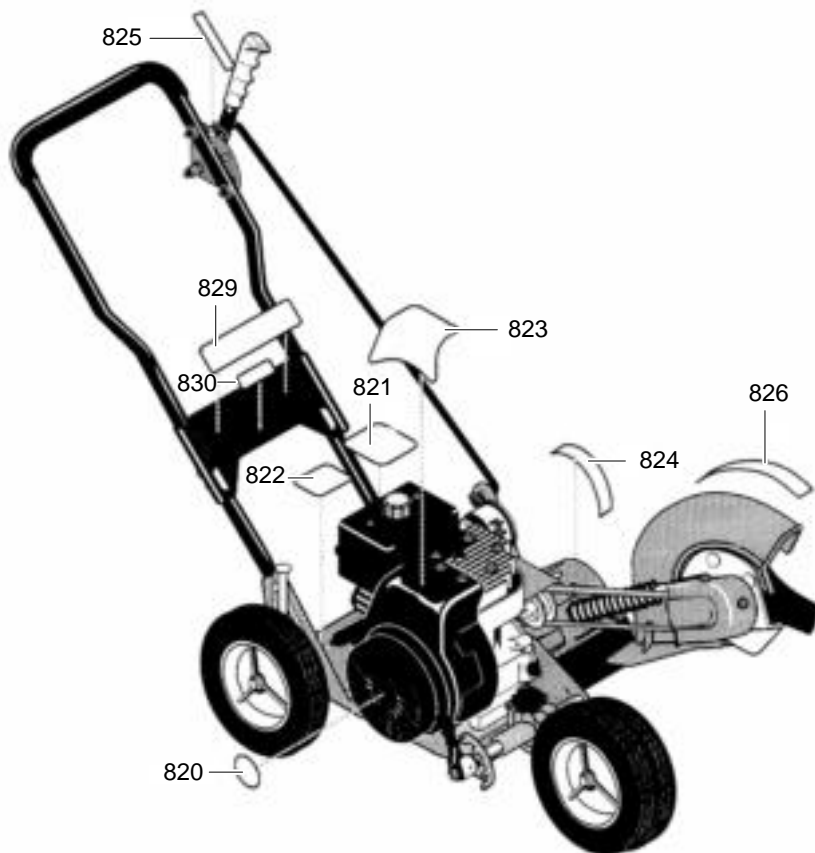
For Husqvarna Parts Call 606-678-9623 or
606-561-4983
MODEL LE389 **FACTORY NO. 13051x37NA**



332228B

| KEY NO. | PART NO. | DESCRIPTION |
|---------|--------------|---------------|
| 760 | 601 00 22 26 | Panel, Handle |

For Husqvarna Parts Call 606-678-9623 or
MODEL LE389 606-561-4983
FACTORY NO. 13051x37NA



| KEY NO. | PART NO. | DESCRIPTION |
|---------|--------------|---------------------------|
| 820 | 601 00 22 00 | Decal, Recoil Cover |
| 821 | 601 00 18 77 | Decal, Information Danger |
| 822 | | Reference Only |
| 823 | 601 00 22 52 | Decal, Engine |
| 824 | 601 00 22 29 | Decal, Angle Indicator |
| 825 | 601 00 22 30 | Decal, Quadrant Selector |
| 826 | 601 00 22 31 | Decal, Blade Guard |
| 829 | 601 00 20 96 | Decal, Panel |
| 830 | 601 00 22 53 | Decal, Husqvarna LE389 |