

INSTALLATION AND ASSEMBLY INSTRUCTIONS FAN ASSEMBLY AND DRIVE KITS

For use on the following models:

968999150 - 150C- 151-152-157-158-159-160-161-162-163-164-165-166-167-168-169-170-171-172-173-175-178 -179-180-181-182-183-184-185-186-187-188-189-201-202-203- 205- 206- 207- 208- 224- 229-230- 231- 235 and ZBMI42180- ZBMI48180- ZMKW48190- ZMKW48210- ZMKH52230- ZMKW52230- ZMKW61230- ZVKH52230- ZVKH52231- ZVKW52231- ZVKW52250- ZVKW52251- ZVKW61230- ZVKW61231- ZVKHL61230- ZVKHL61231- ZVHO52241- ZVHO61241- ZVKH61250- ZVKH61251- ZVKW61250- ZVKW61251- ZVKH61270- ZVKH61271- ZVKE61260- ZVKE61261- ZKW42170- ZKW48170- ZKWQL48170- ZKWQL48190- ZKW42171- ZKWQL48171- ZKWQL48191- ZKWQL42171- ZKW42172- ZKWQL42172- ZKWQL48172- ZKWQL48192- ZKWQL42182- ZKWQL48182- ZKWQL48212- ZKW42182- ZKW48190- ZBIQL48182- ZVKH61270- ZVKE61260

Safety Instruction (Read Carefully):

Do not operate fan with hose removed.

Keep all hose clamps and mounting fasteners tight.

Do not operate without guards in place.

Do not attempt to remove fan assembly or clear blockage unless engine is off and ignition key removed.

If fan assembly is removed, replace original sheave, belt shield, and discharge chute before operating mower.

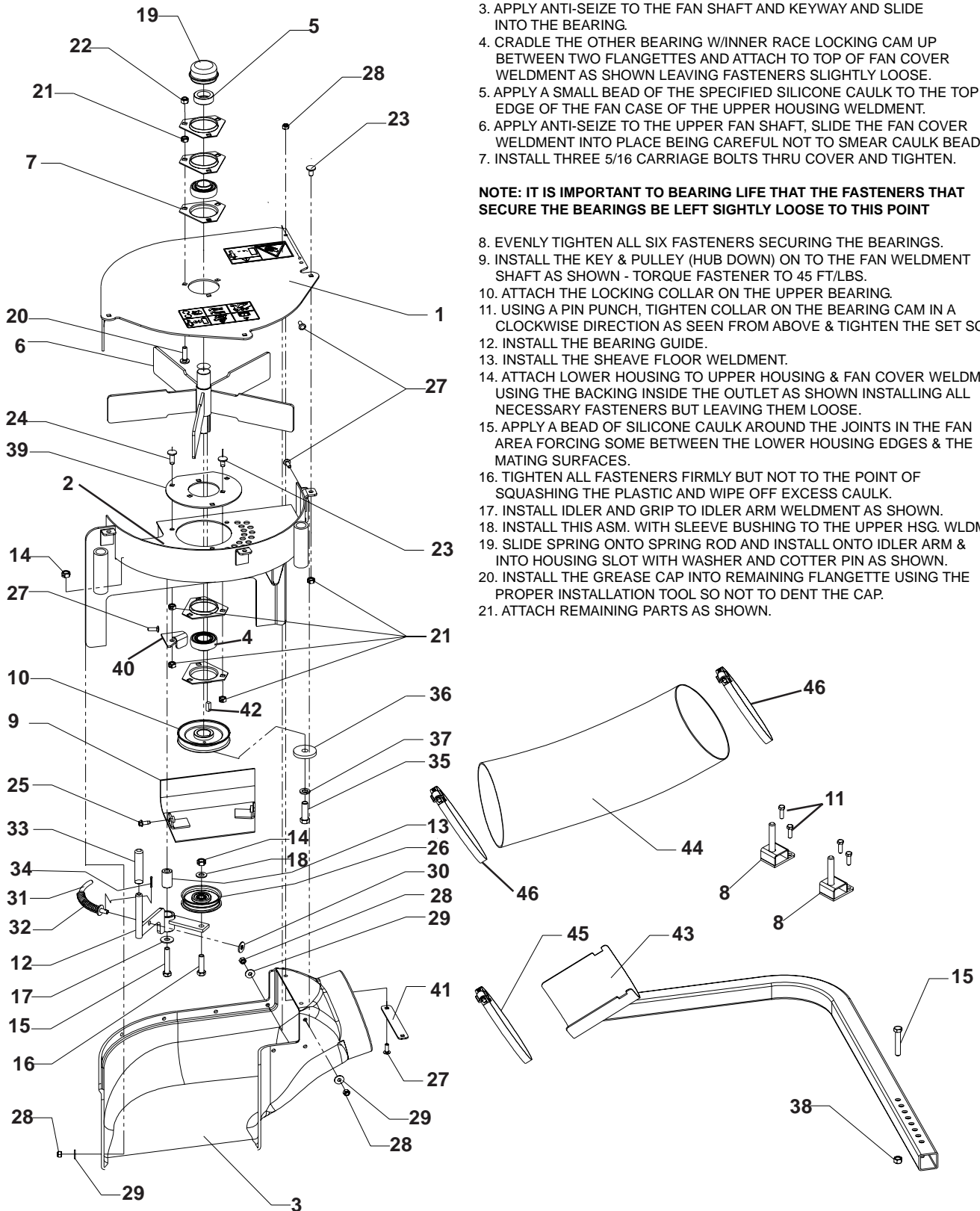
Install the fan assembly, hose support, and hose as follows:

1. Remove the discharge chute.
2. Remove the right hand belt shield.
3. Remove the deck belt from the right spindle assembly sheave.
4. Remove this sheave but keep the hardware at hand for reinstallation.
5. Choose the proper sheave to fit the shaft of your machine and install the stacked sheave and spacer included in the kit using the original washers but substituting the original 7/16" bolt with the longer bolt with the hole. Install the zerk in the top of bolt. Torque bolt to 45 ft/lbs. An application of anti-seize is recommended. (**Note: 1/4" key is reused if spindle assembly has a keyed shaft - Spacer 106739 used on keyed shaft assemblies only.**)
6. Reinstall the deck belt.
7. If any weld beads or the edge of the deck top project past the right end surface of the deck, these must be ground back to allow the fan assembly to fit up flush to the end of the deck.
8. Remove the sheave floor to expose the fan assembly belt sheave from below.
9. Loosen the nut retaining the belt guide located toward the inner side of blower next to the pulley, install the belt from the Drive Kit, retighten the nut, verify the belt clears the guide, and reinstall the sheave floor. (**NOTE:** if belt guide is not retightened belt will slip from sheave during installation.)
10. Slide the blower pin weldment into the mounting tubes on the blower.
11. Rest the fan assembly onto the deck end and align the deck opening and the blower opening, clamp the front of the fan assembly to the deck and adjust the pin weldments so they clear all portions of the deck and blower. Install blower belt onto pulley and check belt clearance to the discharge chute mounting tabs. The blower may have to be slid forward or back for the belt to clear chute tabs. Place the belt guard onto deck and check clearance of pins etc. Mark the 4 holes in the pin weldments and center punch and drill 13/32" holes where marked. (**NOTE:** Make sure the blower is tight against the end of the deck before marking holes for drilling.)
Note: It may be necessary to swing the idler pulley away from the assembly mounting face to clear the chute mounting bar and the discharge chute mounting tab on the deck.
12. Install the 2 blower pin weldments on to the deck with 3/8" hardware provided with the blower.
13. Grip the idler arm and squeeze it to remove tension from the belt while installing it onto deck sheave.
14. Install the stops on the deck stop pins located at the rear of the deck (42" and 48" decks only) then install the new belt shield.
15. Install the tube support to the main collection assembly using the 3/8" fastener provided, positioning so that the tube is 2" to 3" away from the tire.
16. Install the 7" tube to the fan assembly and the container input port using the over center hose clamps provided.
17. Clamp the tube to the tube support with the standard hose clamp.

FAN ASSEMBLY

FAN ASSEMBLY INSTRUCTIONS:

1. CRADLE A BEARING W/ INNER RACE LOCKING CAM DOWN BETWEEN TWO FLANGETTES AND ATTACH TO BEARING PLATE AS SHOWN LEAVING FASTENERS SLIGHTLY LOOSE.
 2. ATTACH THIS ASSEMBLY TO FAN FLOOR AS SHOWN AND TIGHTEN THESE THREE FASTENERS FULLY.
 3. APPLY ANTI-SEIZE TO THE FAN SHAFT AND KEYWAY AND SLIDE INTO THE BEARING.
 4. CRADLE THE OTHER BEARING W/INNER RACE LOCKING CAM UP BETWEEN TWO FLANGETTES AND ATTACH TO TOP OF FAN COVER WELDMENT AS SHOWN LEAVING FASTENERS SLIGHTLY LOOSE.
 5. APPLY A SMALL BEAD OF THE SPECIFIED SILICONE CAULK TO THE TOP EDGE OF THE FAN CASE OF THE UPPER HOUSING WELDMENT.
 6. APPLY ANTI-SEIZE TO THE UPPER FAN SHAFT, SLIDE THE FAN COVER WELDMENT INTO PLACE BEING CAREFUL NOT TO SMEAR CAULK BEAD.
 7. INSTALL THREE 5/16 CARRIAGE BOLTS THRU COVER AND TIGHTEN.
- NOTE: IT IS IMPORTANT TO BEARING LIFE THAT THE FASTENERS THAT SECURE THE BEARINGS BE LEFT SLIGHTLY LOOSE TO THIS POINT**
8. EVENLY TIGHTEN ALL SIX FASTENERS SECURING THE BEARINGS.
 9. INSTALL THE KEY & PULLEY (HUB DOWN) ON TO THE FAN WELDMENT SHAFT AS SHOWN - TORQUE FASTENER TO 45 FT/LBS.
 10. ATTACH THE LOCKING COLLAR ON THE UPPER BEARING.
 11. USING A PIN PUNCH, TIGHTEN COLLAR ON THE BEARING CAM IN A CLOCKWISE DIRECTION AS SEEN FROM ABOVE & TIGHTEN THE SET SCREW.
 12. INSTALL THE BEARING GUIDE.
 13. INSTALL THE SHEAVE FLOOR WELDMENT.
 14. ATTACH LOWER HOUSING TO UPPER HOUSING & FAN COVER WELDMENT USING THE BACKING INSIDE THE OUTLET AS SHOWN INSTALLING ALL NECESSARY FASTENERS BUT LEAVING THEM LOOSE.
 15. APPLY A BEAD OF SILICONE CAULK AROUND THE JOINTS IN THE FAN AREA FORCING SOME BETWEEN THE LOWER HOUSING EDGES & THE MATING SURFACES.
 16. TIGHTEN ALL FASTENERS FIRMLY BUT NOT TO THE POINT OF SQUASHING THE PLASTIC AND WIPE OFF EXCESS CAULK.
 17. INSTALL IDLER AND GRIP TO IDLER ARM WELDMENT AS SHOWN.
 18. INSTALL THIS ASM. WITH SLEEVE BUSHING TO THE UPPER HSG. WLDMT.
 19. SLIDE SPRING ONTO SPRING ROD AND INSTALL ONTO IDLER ARM & INTO HOUSING SLOT WITH WASHER AND COTTER PIN AS SHOWN.
 20. INSTALL THE GREASE CAP INTO REMAINING FLANGETTE USING THE PROPER INSTALLATION TOOL SO NOT TO DENT THE CAP.
 21. ATTACH REMAINING PARTS AS SHOWN.



FAN ASSEMBLY

ITEM	PART NO.	QTY	DESCRIPTION
1	(539) 106752	1	FAN COVER W/DECALS
2	(539) 108941	1	UPPER HOUSING
3	(539) 109900	1	LOWER HOUSING
4	(539) 106786	2	BEARING W/O COLLAR
5	(539) 106786	1	LOCKING COLLAR
6	(539) 106707	1	FAN WLDMT.
7	(539) 102691	5	FLANGETTE
8	(539) 108944	2	BLOWER PIN WELDMENT
9	(539) 108301	1	SHEAVE FLOOR
10	(539) 106713	1	SHEAVE, 4"
11	(539) 976941	4	HCS 3/8-16 X 1 1/4
12	(539) 106715	1	IDLER ARM
13	(539) 101836	1	SLEEVE BUSHING
14	(539) 990546	2	NUT 3/8 CTR. LOCK
15	(539) 990629	2	HCS 3/8 X 2.25
16	(539) 990655	1	HCS 3/8 X 1.50
17	(539) 990517	1	WASHER 3/8 FLAT
18	(539) 990122	1	WASHER 3/8 SAE
19	(539) 102535	1	GREASE CAP
20	(539) 100472	3	RHSNB 5/16 X 1.25
21	(539) 990184	13	NUT 5/16 CTR. LOCK
22	(539) 990717	3	NUT 5/16 NYLOC
23	(539) 990799	8	RHSNB 5/16 X .625 SHORT NECK
24	(539) 990208	1	RHSNB 5/16 X 1.00
25	(539) 990362	2	SCREW 1/4 X .625 SELF TAP
26	(539) 106721	1	IDLER
27	(539) 990074	16	RHSNB 1/4 X .75 SHORT NECK
28	(539) 976978	16	NUT 1/4 NYLOC
29	(539) 990598	14	WASHER 1/4 FLAT
30	(539) 990188	1	WASHER 5/16 FLAT SAE
31	(539) 106801	1	SPRING ROD
32	(539) 106720	1	SPRING
33	(539) 101050	1	VINYL GRIP
34	(539) 990037	1	COTTER PIN 3/32 X .750
35	(539) 100141	1	HCS 7/16F X 1.5
36	(539) 106504	1	HEAVY WASHER
37	(539) 990247	1	WASHER 7/16 LOCK
38	(539) 976979	9	NUT 3/8 NYLOC
39	(539) 106809	1	BEARING PLATE
40	(539) 106811	1	BELT GUIDE
41	(539) 106812	1	BACKING
42	(539) 102067	1	KEY 1/4 X .75 SQ.
43	(539) 106751	1	SUPPORT
44	(539) 106748	1	HOSE
45	(539) 097076	2	HOSE CLAMP
46	(539) 109901	1	OVER CENTER BAND

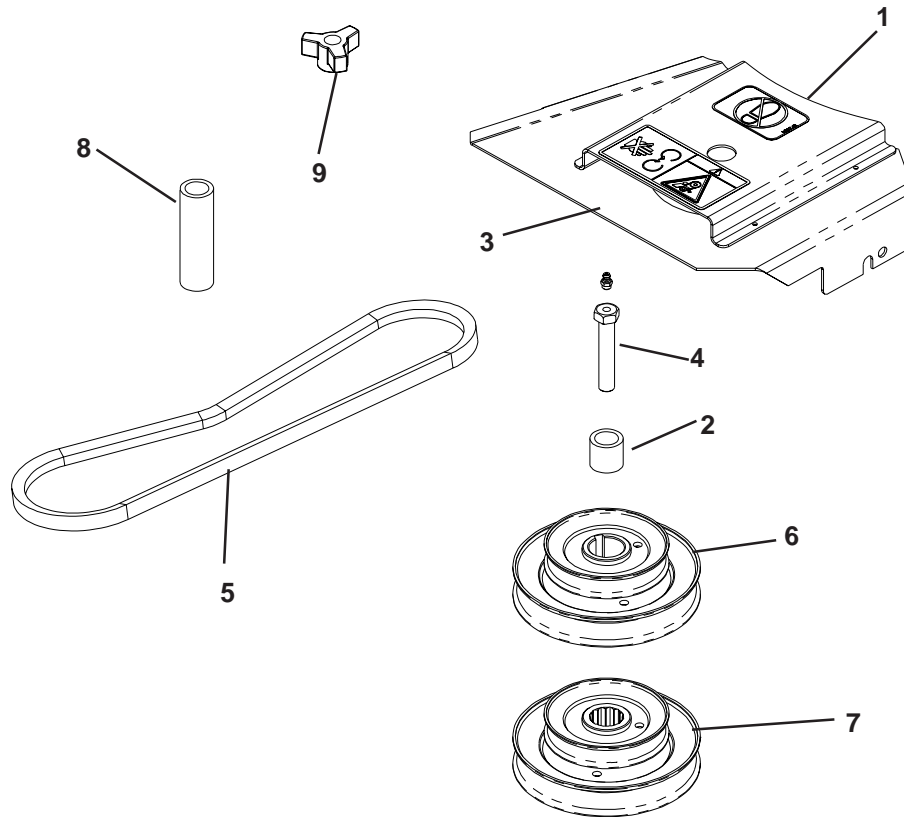
DRIVE KIT ASSEMBLIES

(539) 108960 - 42 INCH DECK

(539) 108961 - 48 INCH DECK

(539) 108962 - 52 INCH DECK

(539) 108963 - 61 INCH DECK



ITEM	PART NO.	QTY	DESCRIPTION
1	(539) 108950	1	42 SHIELD
	(539) 108953	1	48 SHIELD
	(539) 108958	1	52 SHIELD
	(539) 108959	1	61 SHIELD
2*	(539) 106739	1	SPACER
3	(539) 976998	1	ZERK
4	(539) 108951	1	HCS 7/16 X 2.5, SPEC.
5	(539) 106723	1	BELT-42
	(539) 106724	1	BELT-48
	(539) 106725	1	BELT-52
	(539) 106726	1	BELT-61
6	(539) 106744	1	STACKED SHEAVE 42-48
	(539) 106745	1	STACKED SHEAVE 52
	(539) 106746	1	STACKED SHEAVE 61
7	(539) 108946	1	DOUBLE HEX STACKED SHEAVE 42-48
	(539) 108947	1	DOUBLE HEX STACKED SHEAVE 52
	(539) 108948	1	DOUBLE HEX STACKED SHEAVE 61
8	(539) 106787	2	STOP - USED ON 42" & 48" ONLY
9	(539) 102070	2	KNOB - 42" DECK
	(539) 102070	2	KNOB - 48" DECK
	(539) 102070	3	KNOB - 52" DECK
	(539) 102070	4	KNOB - 61" DECK

*NOTE: ITEM 2 USED ON KEYED SHAFT ASSEMBLIES ONLY.