

## 48 INCH MOWER MULCH COVER

### Kit No. MP48A

Kit Contains:

- (1) Mulch Cover
- (2) Latch Hooks
- (2) Weld Nuts
- (2) Screws
- (2) Lock Washers
- (2) 3/16 Flat Washers



**CAUTION:** Do not remove deflector shield from mower. Raise and hold shield when attaching mulch cover and allow it to rest on cover while in operation.

### ASSEMBLE MULCH COVER (See Fig. 1)

**NOTE:** Pre-assemble weld nut to latch hook by inserting weld nut from the top with hook pointing down.

1. Install the two latch hooks to mulch cover using screw, 3/16 washer, lock washer, and weld nut as shown.
2. Tighten hardware securely.

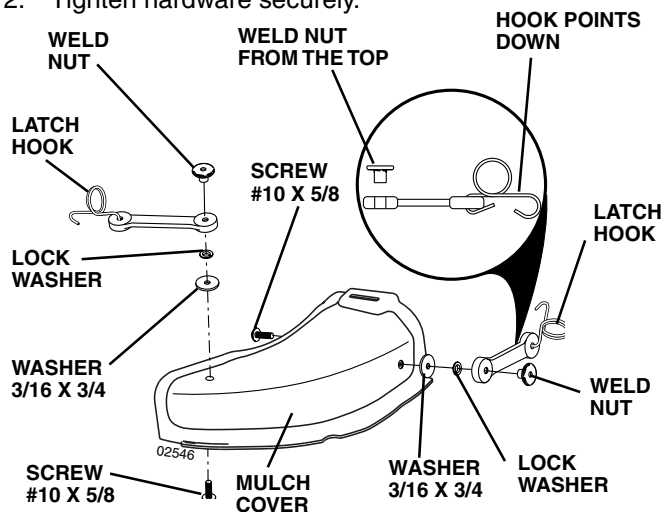


FIG. 1

### INSTALL MULCH COVER (See Fig. 2)

1. Raise and hold deflector shield in upright position.
2. Hook rear latch into hole on back of mower with hook positioned as shown.
3. Place slot in mulch cover over tab on mower and position plate over mower opening as shown.
4. Hook front latch over latch hook spacer on front of mower.
5. Check to be sure mower opening is completely covered by the mulch cover.

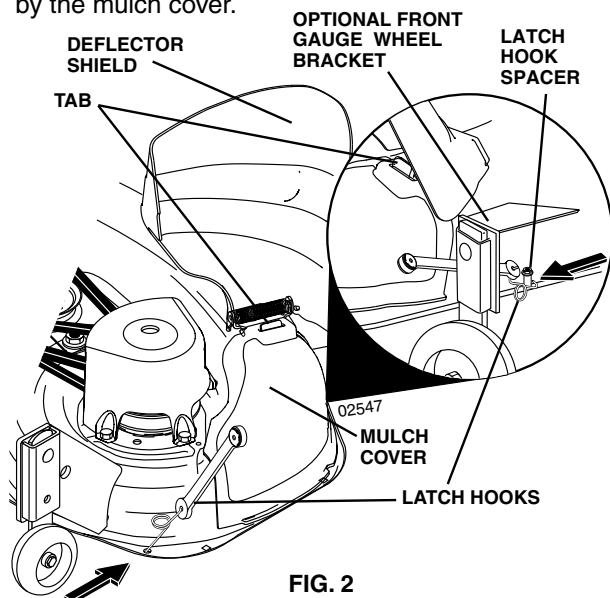


FIG. 2

### MULCHING MOWING TIPS

**IMPORTANT:** FOR BEST PERFORMANCE, KEEP MOWER HOUSING FREE OF BUILT-UP GRASS AND TRASH. CLEAN AFTER EACH USE.

- The special mulch blades will recut the grass clippings many times and reduce them in size so that as they fall onto the lawn they will disperse into the grass and not be noticed. Also, the mulched grass will biodegrade quickly to provide nutrients for the lawn. Always mulch with your highest engine (blade) speed as this will provide the best recutting action of the blades.
- Avoid cutting your lawn when it is wet. Wet grass tends to form clumps and interferes with the mulching action. The best time to mow your lawn is the early afternoon. At this time the grass has dried and the newly cut area will not be exposed to the direct sun.
- For best results, adjust the mower cutting height so that the mower cuts off only the top one-third of the grass blades. For extremely heavy mulching, reduce your width of cut and mow slowly.
- Certain types of grass and grass conditions may require that an area be mulched a second time to completely hide the clippings. When doing a second cut, mow across or perpendicular to the first cut path.
- Change your cutting pattern from week to week. Mow north to south one week then change to east to west the next week. This will help prevent matting and graining of the lawn.

**FOR FUTURE REFERENCE AND REPAIR PARTS ORDERING, KEEP THIS INSTRUCTION SHEET WITH YOUR TRACTORS OWNER'S MANUAL.**

### REPAIR PARTS KIT NO. MP48A

KEY NO.	PART NO.	DESCRIPTION
2	532176898	Mulch Cover
3	532160793	Latch Hook
4	532125004	Weld Nut
5	819061216	Washer 3/16 x 3/4
6	810071000	Washer, Lock #10
7	871081010	Screw #10 x 5/8

