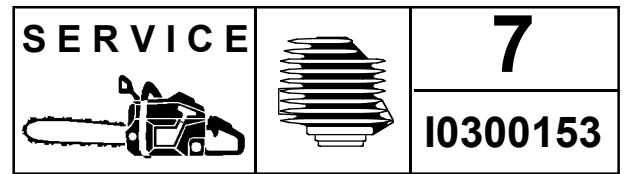


For Husqvarna Parts Call 606-678-9623 or 606-561-4983



IPL, 372, 372 EPA, 362 Special, 362 Special EPA, 2003-10, 106 26 04-63

372, 372 EPA, 362 Special, 362 Special EPA

Spare parts

Replaces

Ersatzteile

Ersetzt

Pièces détachées

Remplace

Reserve onderdelen

Vervangt

Repuestos

Reemplaza

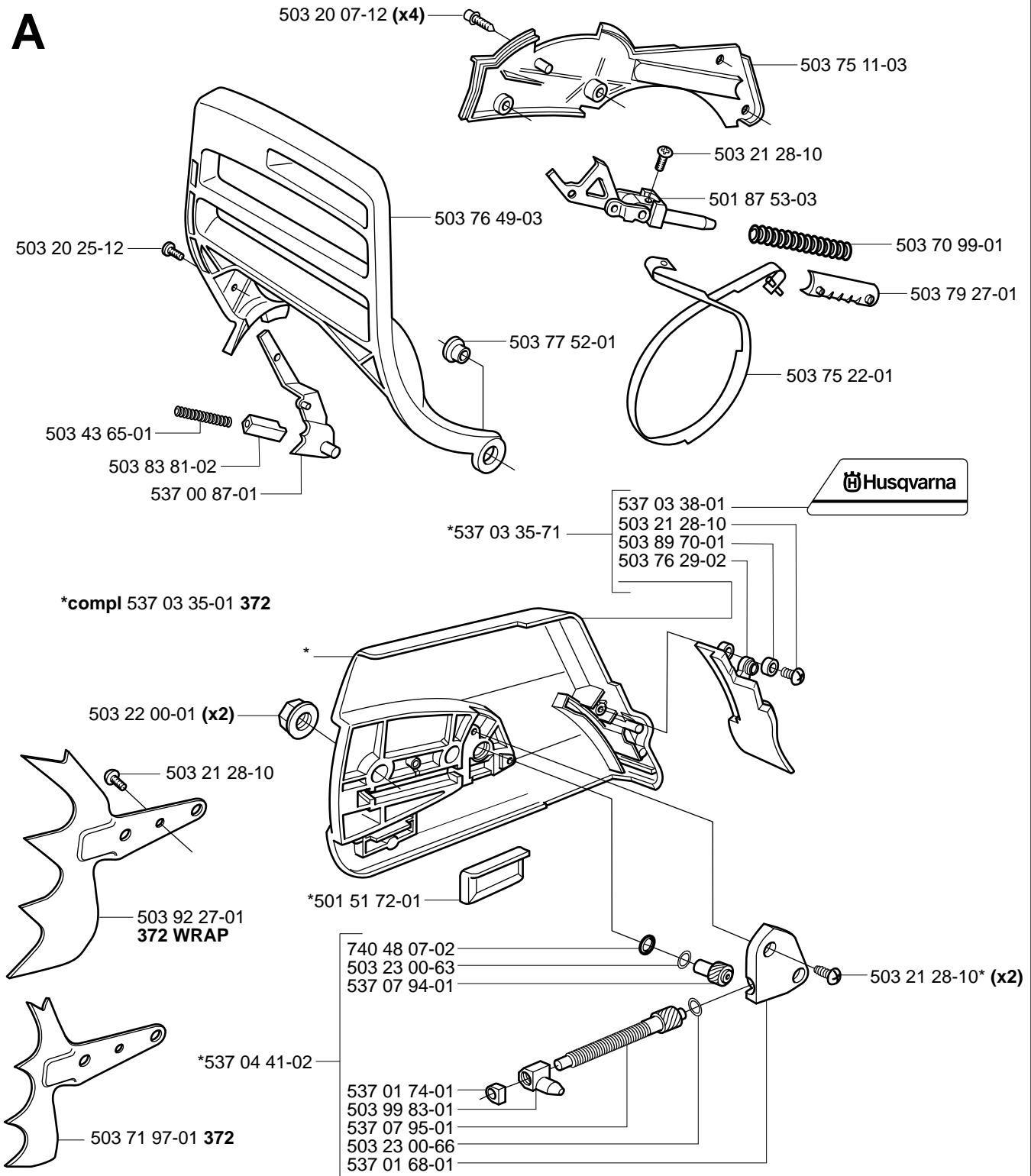
Reservdelar

Ersätter

106 26 04-62

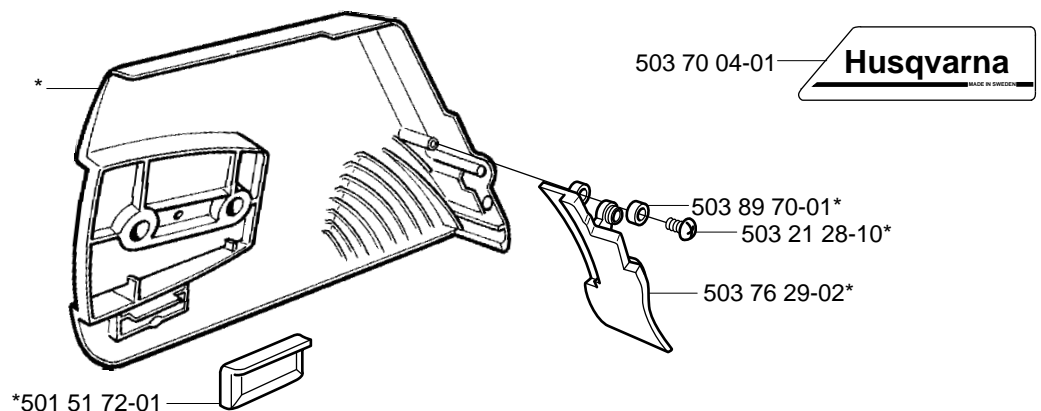
106 26 04-63

A

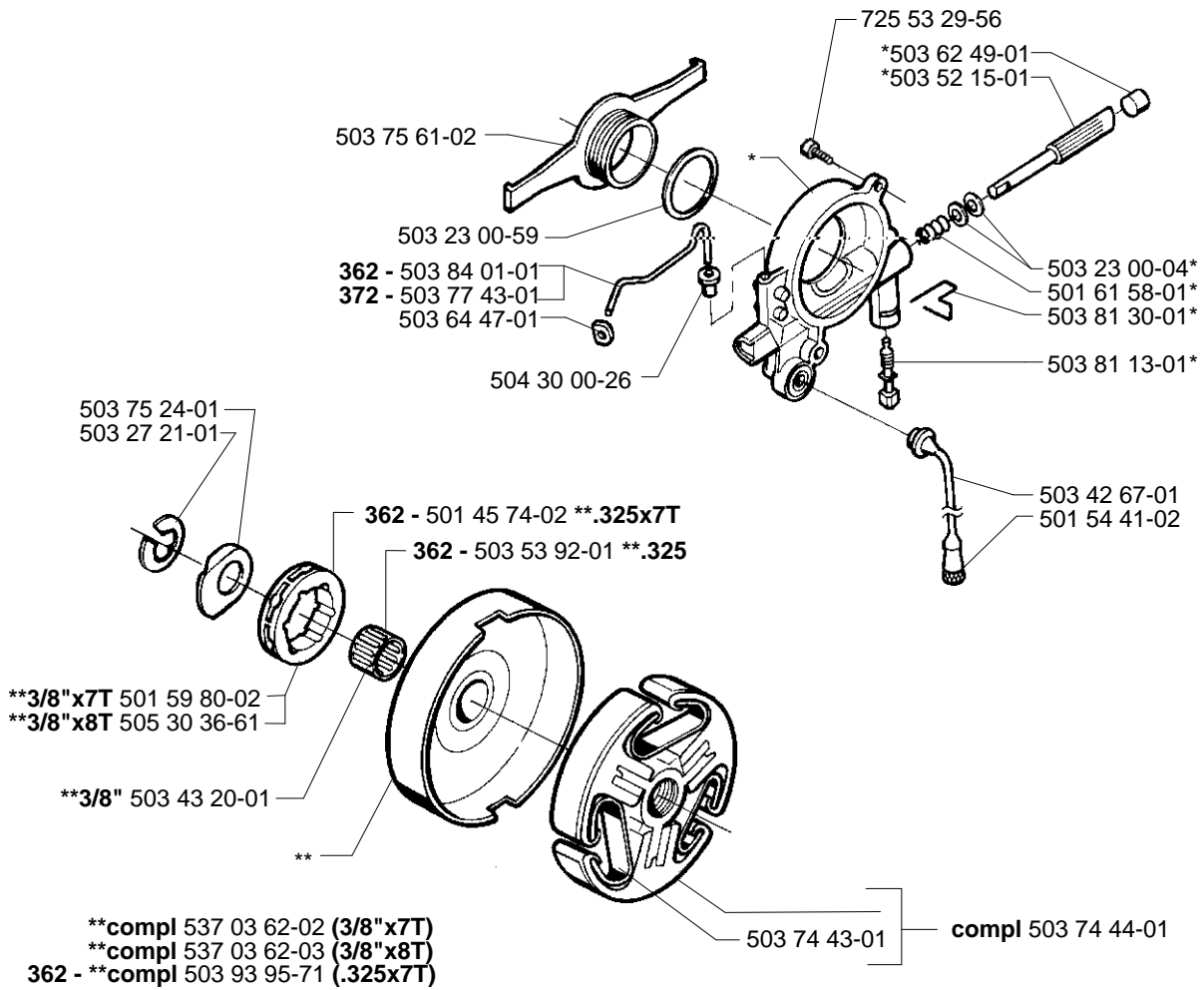


B

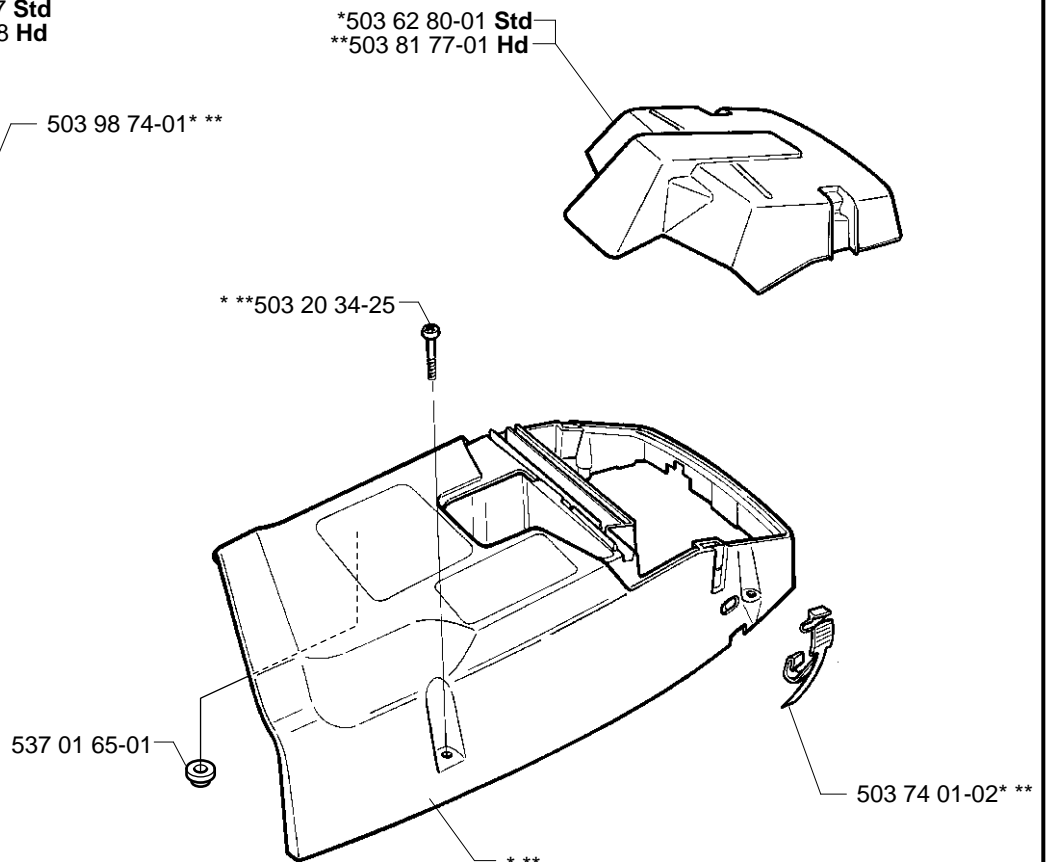
*compl 503 76 92-01 362



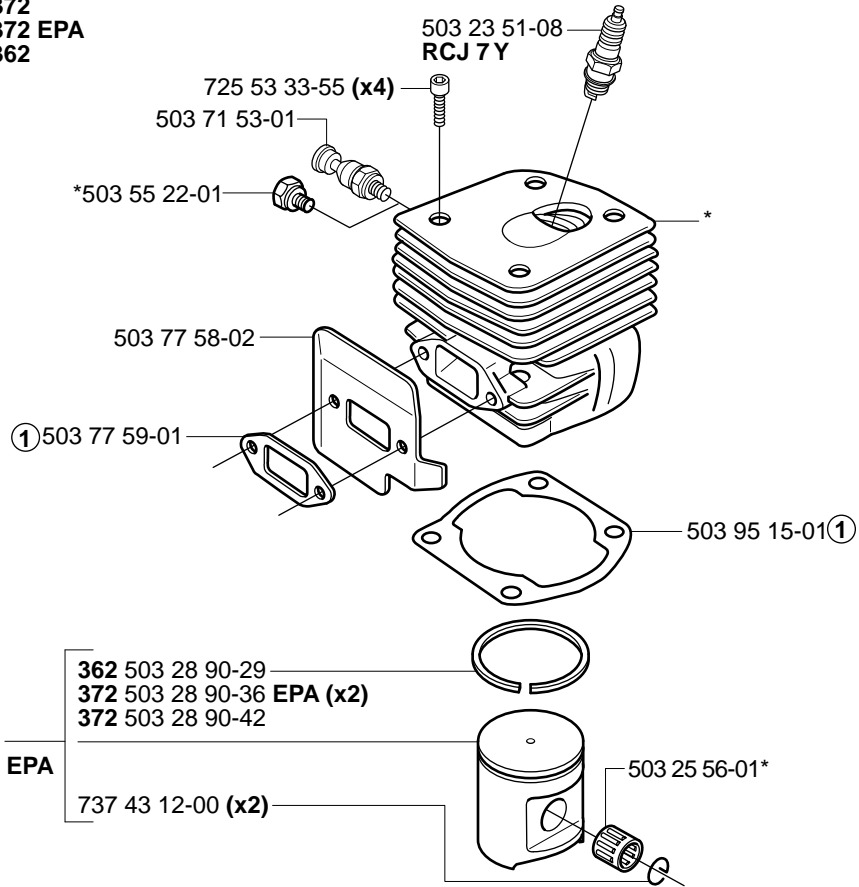
C *compl 503 52 13-01



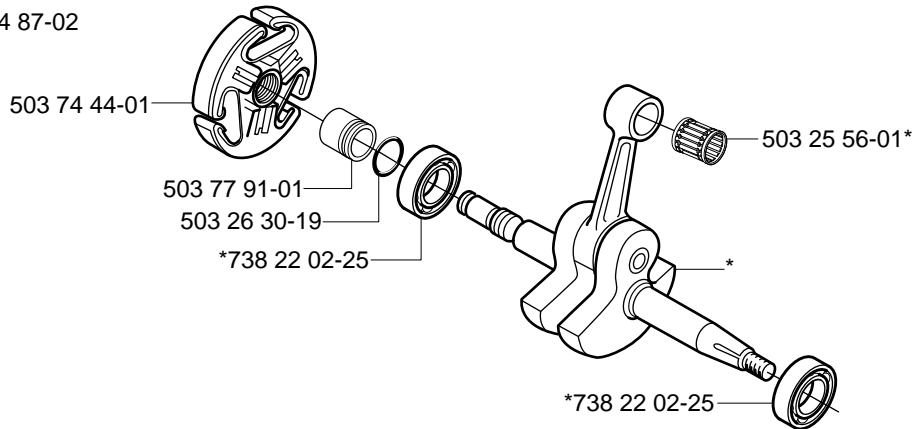
D *compl 503 62 78-07 Std
**compl 503 62 78-08 Hd



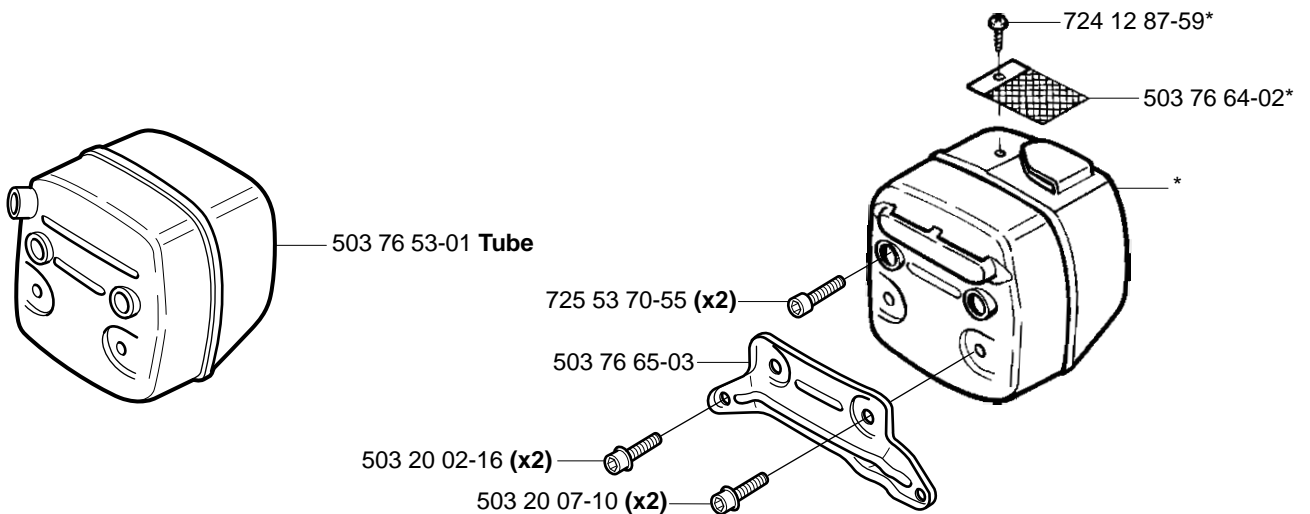
E *compl 503 62 64-73 372
 *compl 503 93 93-72 372 EPA
 *compl 503 96 52-71 362



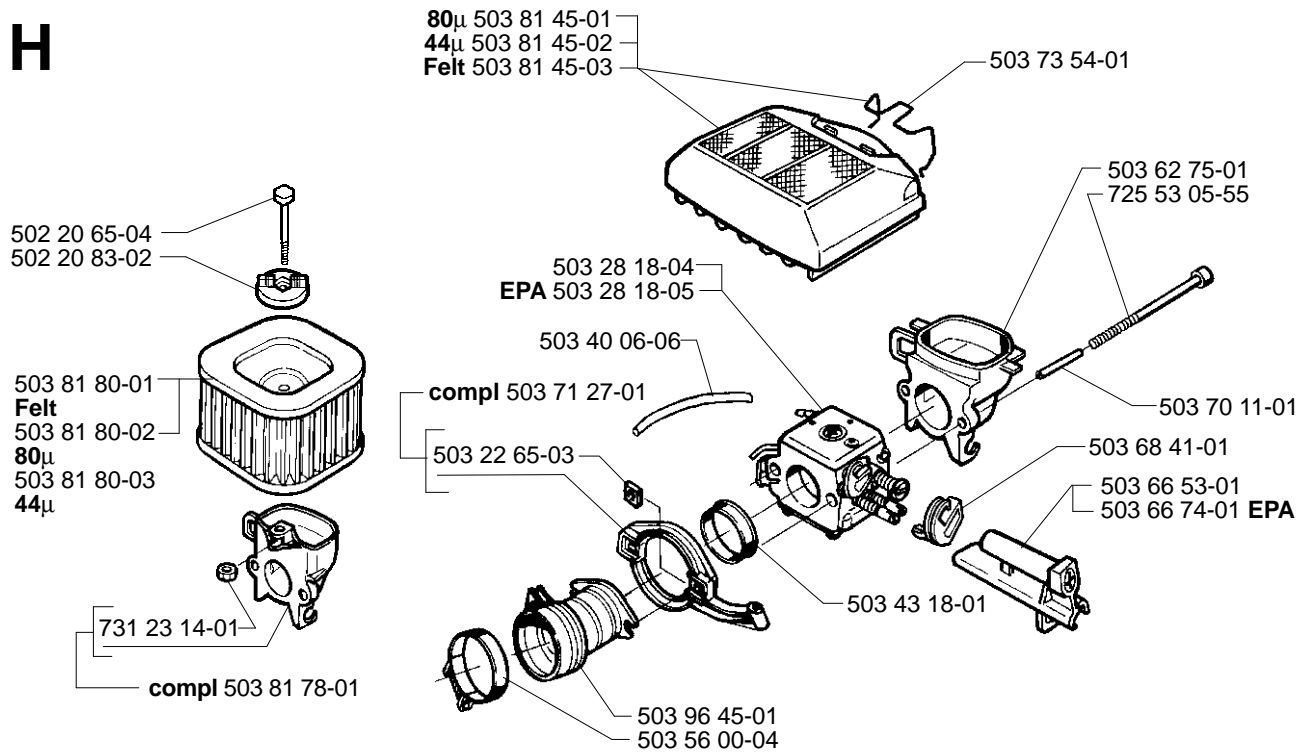
F *compl 503 74 87-02



G compl 503 76 52-01 FG
 *compl 503 76 53-02 Jungle
 *compl 503 76 54-02 DF

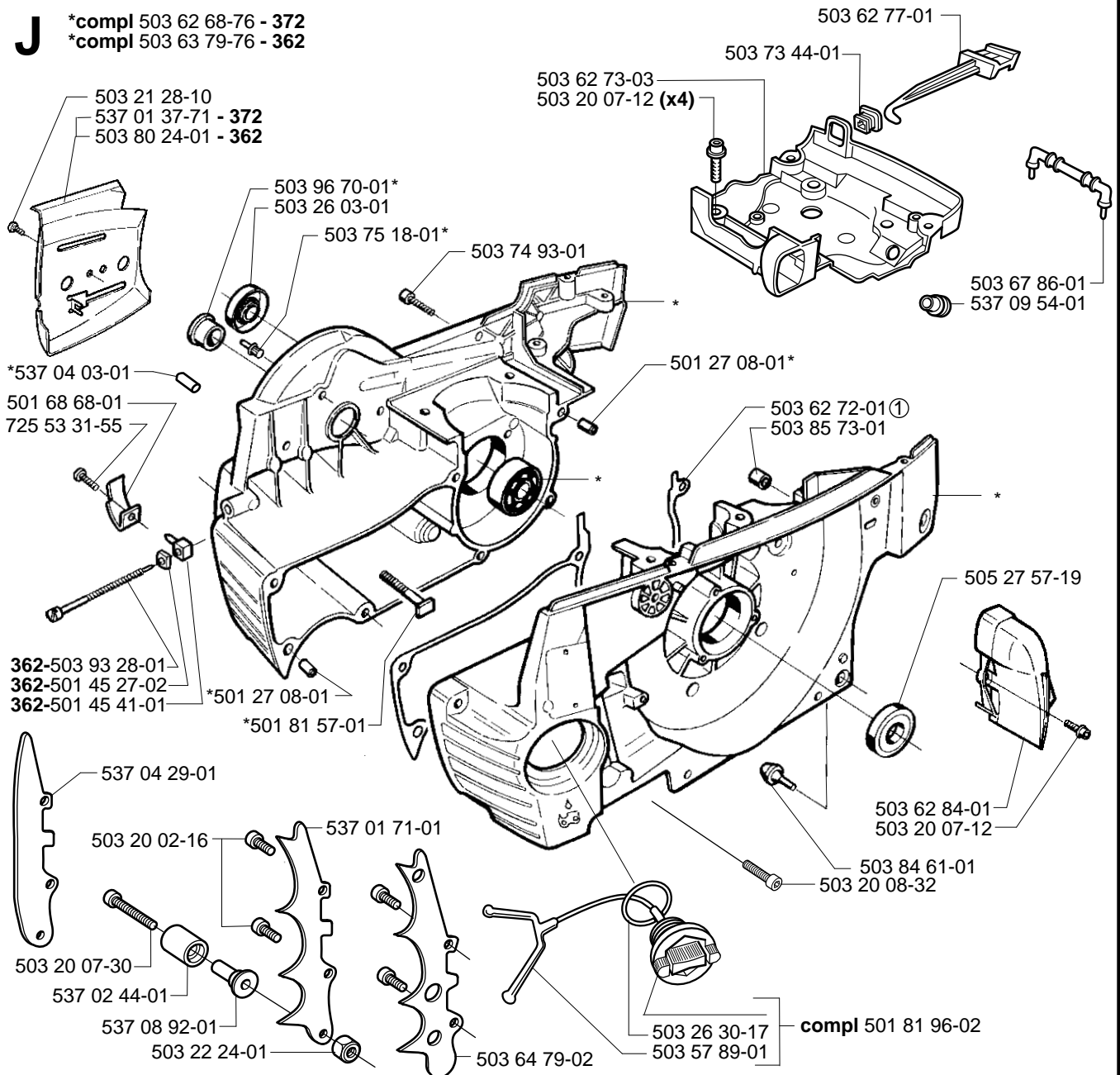


H

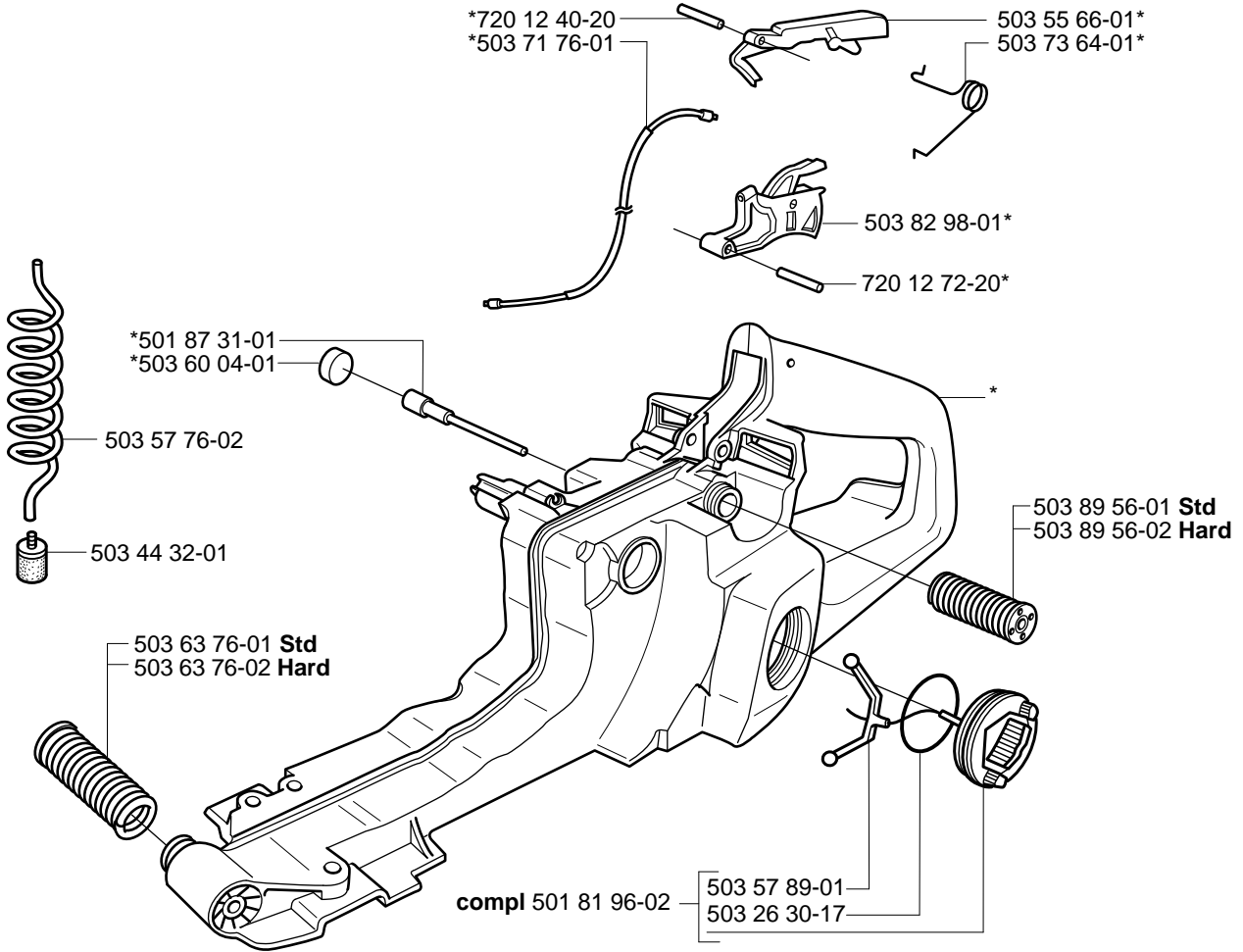


J

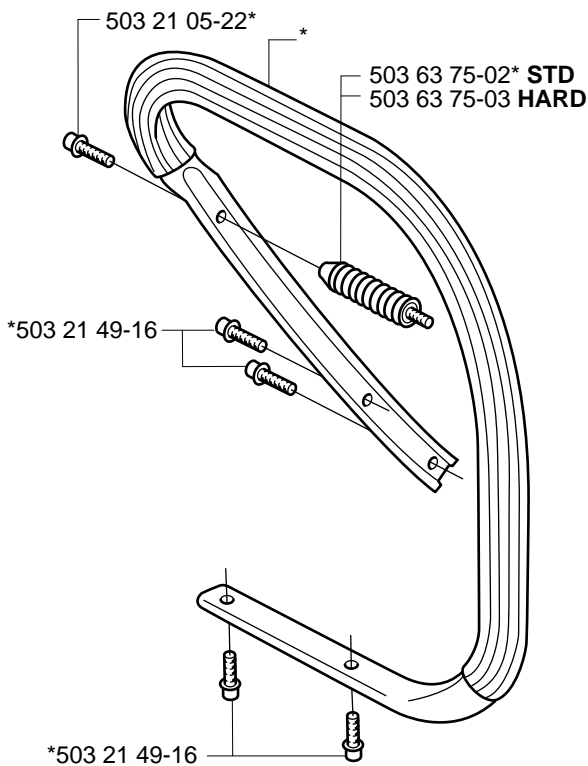
***compl** 503 62 68-76 - 372
 ***compl** 503 63 79-76 - 362



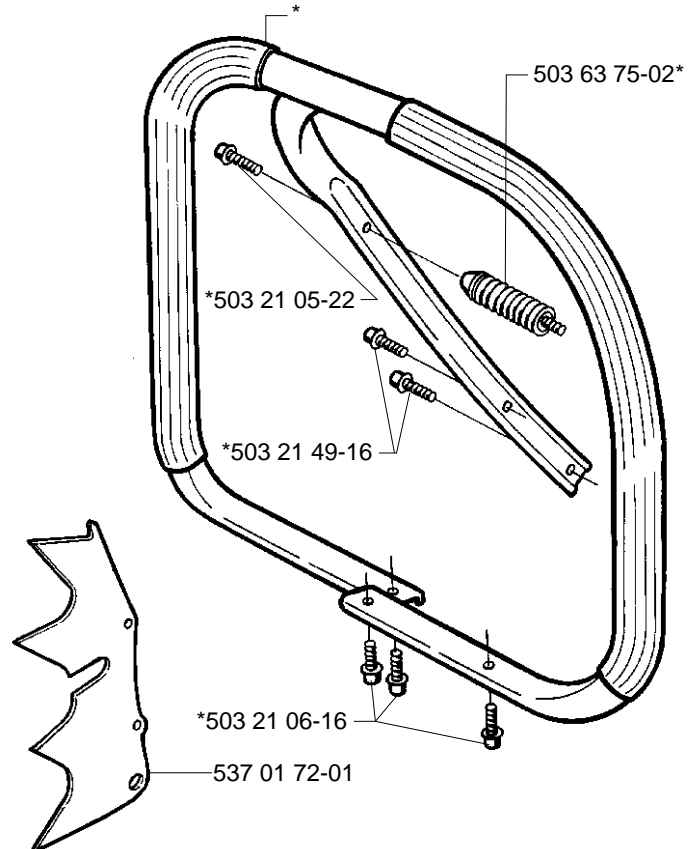
K *compl 503 71 32-75



L *compl 503 62 67-71



M *compl 503 62 86-71 WRAP
*compl 503 62 86-02 WA G



N

*compl 537 08 72-01

*537 07 13-01

*537 06 04-01

537 07 18-02 (G)

503 20 26-16 (G)

503 23 01-01

503 22 10-11

503 55 49-01 (G)*

537 07 14-01*

501 67 35-01

503 23 00-42

537 01 55-01

501 81 99-01

compl 537 05 16-06 (G)

*compl 537 01 59-01

*503 64 02-01 (G)

501 80 24-03 (G)

503 20 26-16 (G)

503 23 01-01

503 22 10-11

(G) 501 43 00-01*

(G)*

501 67 35-01

503 23 00-42

537 01 55-01

501 81 99-01

compl 537 05 16-04 (G)

503 21 38-01 (G)

503 70 59-01 (G)

503 62 61-01

501 48 54-02

503 71 82-01

503 89 76-01

503 21 28-10

*compl 503 62 67-72 (G)

*503 21 05-22

503 23 01-01

503 22 10-11

503 68 45-02

537 16 22-01

503 20 07-20 (x2)

501 67 35-01

503 23 00-42

537 01 55-01

501 81 99-01

compl 537 05 16-05

503 21 49-16*

P

*compl 503 62 81-71

503 62 83-01

503 54 39-01*

501 20 15-02*

*503 21 49-16

*503 23 43-02

*503 85 96-01

*503 78 72-01

*503 20 34-19 (x4)

***501 63 06-01

537 08 67-01* **

***compl 503 62 82-02 ***

(XP) 537 08 65-10 362

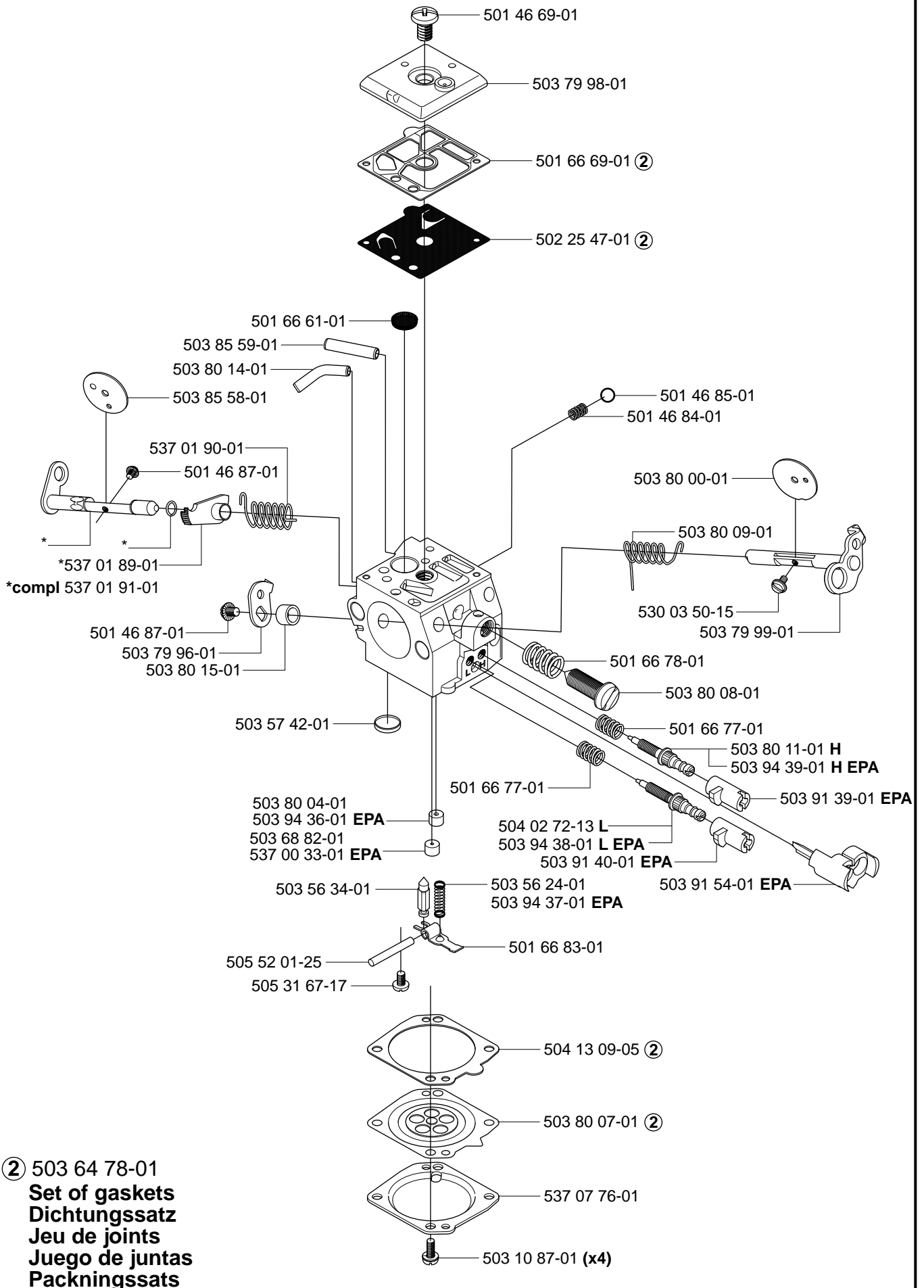
(XPG) 537 08 65-11 362

(XP) 537 08 65-07 372

(XPG) 537 08 65-08 372

Q compl 503 28 18-04
 compl 503 28 18-05 EPA

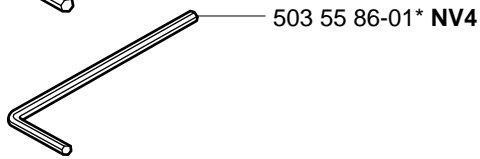
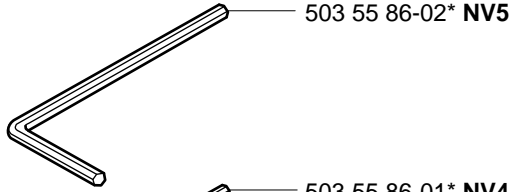
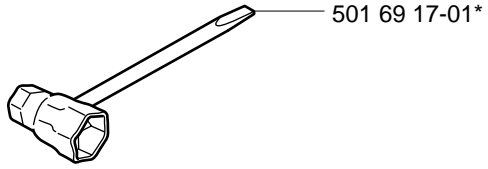
Walbro HD-6B
Walbro HD-12B EPA



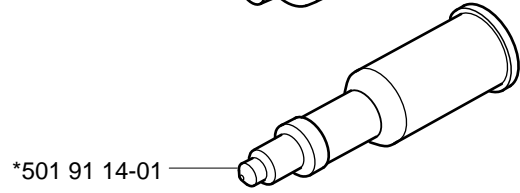
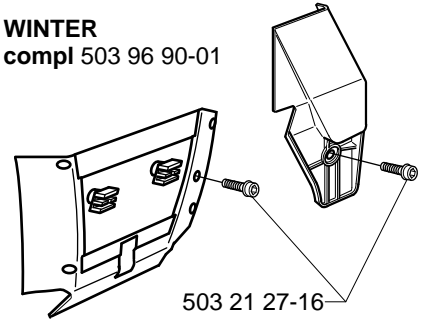
② 503 64 78-01
Set of gaskets
Dichtungssatz
Jeu de joints
Juego de juntas
Packningssats

R Accessories
Zubehöre
Accessories
Accesorios
Tillbehör

*compl 503 55 85-01



WINTER
compl 503 96 90-01



For Husqvarna Parts Call 606-678-9623 or 606-561-4983

PART NUMBER	SQUARE NOTE	PART NUMBER	SQUARE NOTE	PART NUMBER	SQUARE NOTE	PART NUMBER	SQUARE NOTE
720 12 72-20	K						
724 12 87-59	G						
725 53 05-55	H						
725 53 29-56	C						
725 53 31-55	J						
725 53 33-55	E						
725 53 70-55	G						
731 23 14-01	H						
737 43 12-00	E						
738 22 02-25	F						
740 48 07-02	A						

1 = 503 64 72-01
2 = 503 64 78-01

Set of gaskets, Dichtungssatz,
Jeu de joints, Juego de juntas,
Packningssats

N = New part, Neues teil,
Nouvelle piece, Nueva pieza
Ny detalj

EPA = Environmental Protection Agency
(for USA only)