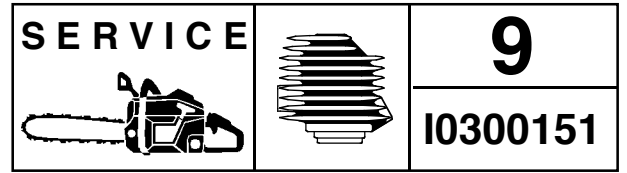


For Husqvarna Parts Call 606-678-9623 or 606-561-4983



IPL, 395, 395 EPA, 2003-10, 106 26 39-62

395 395 EPA

Spare parts

Replaces

Ersatzteile

Ersetzt

Pièces détachées

Remplace

Reserve onderdelen

Vervangt

Repuestos

Reemplaza

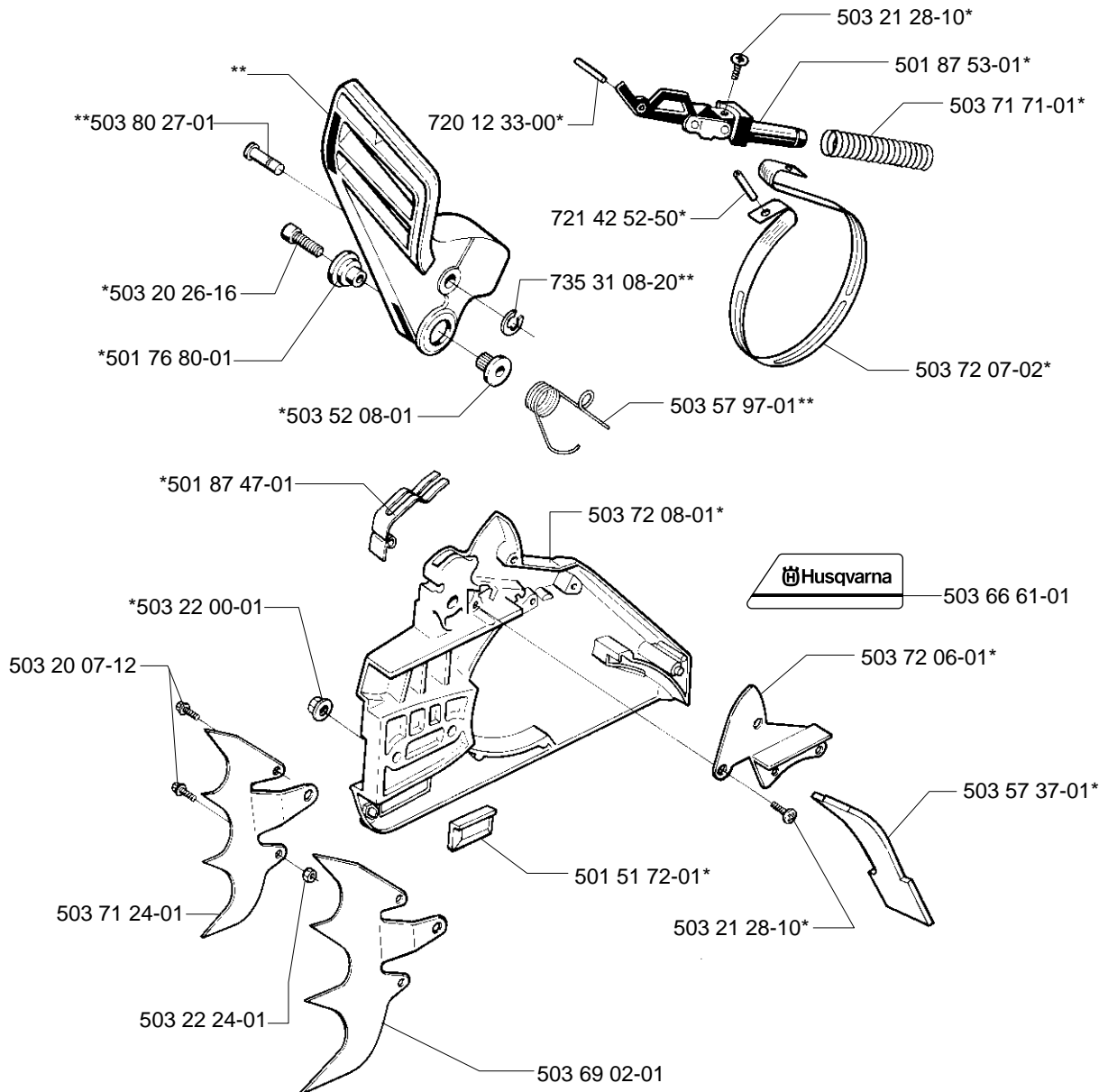
Reservdelar

Ersätter

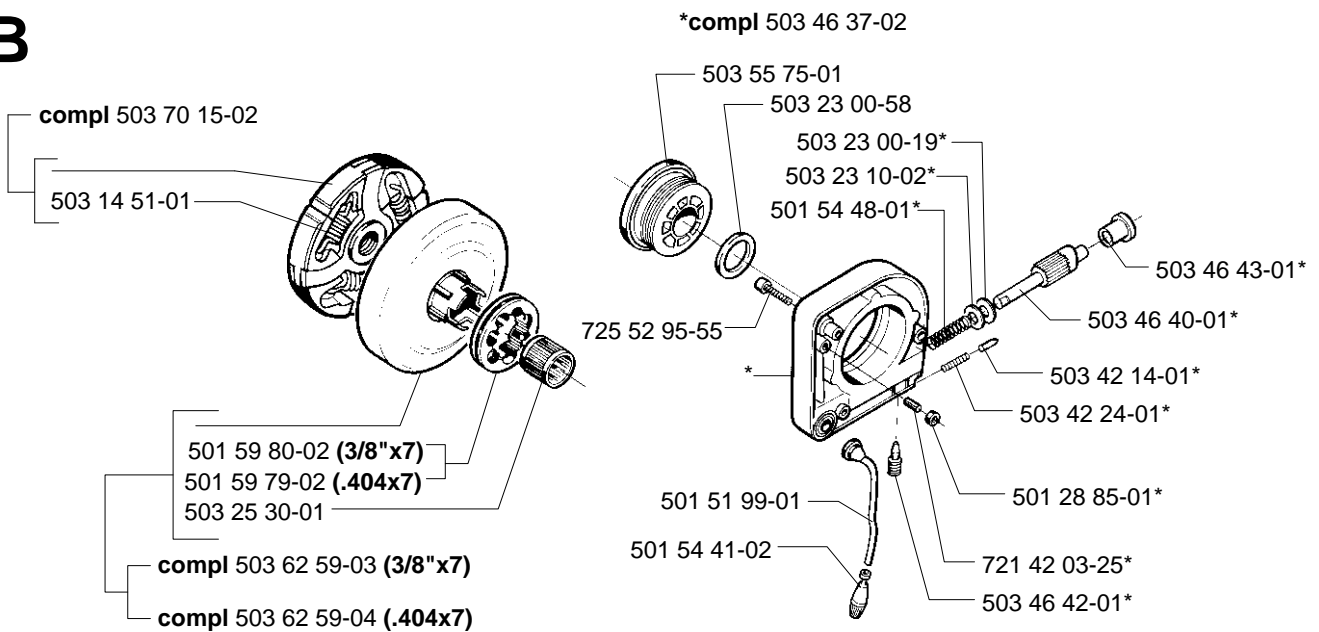
106 26 39-61

106 26 39-62

A *compl 503 73 15-06
 **compl 503 76 08-01

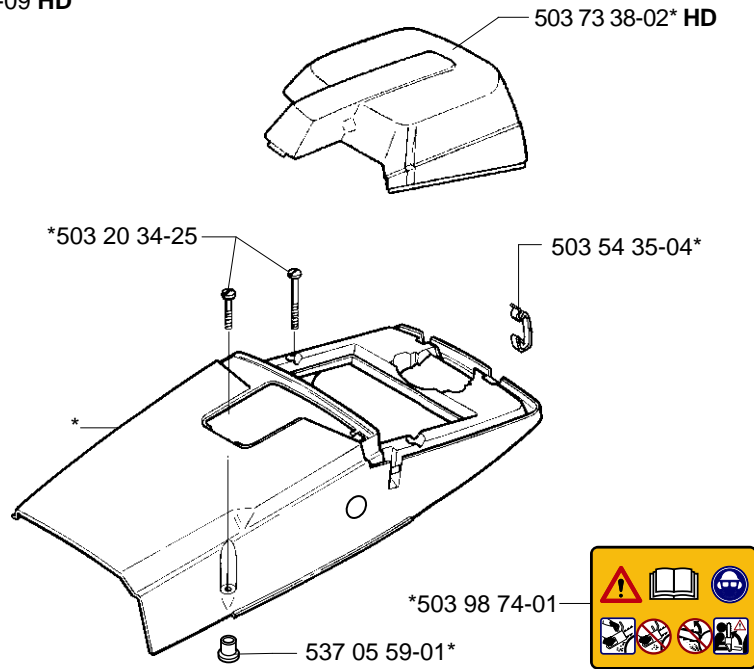


B



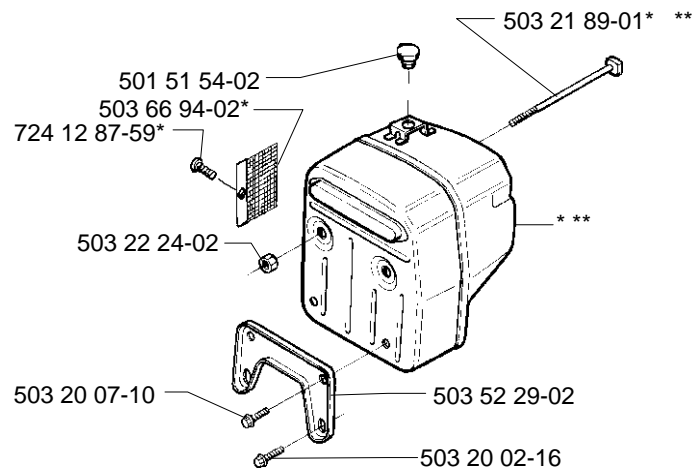
C

*compl 503 52 64-09 HD

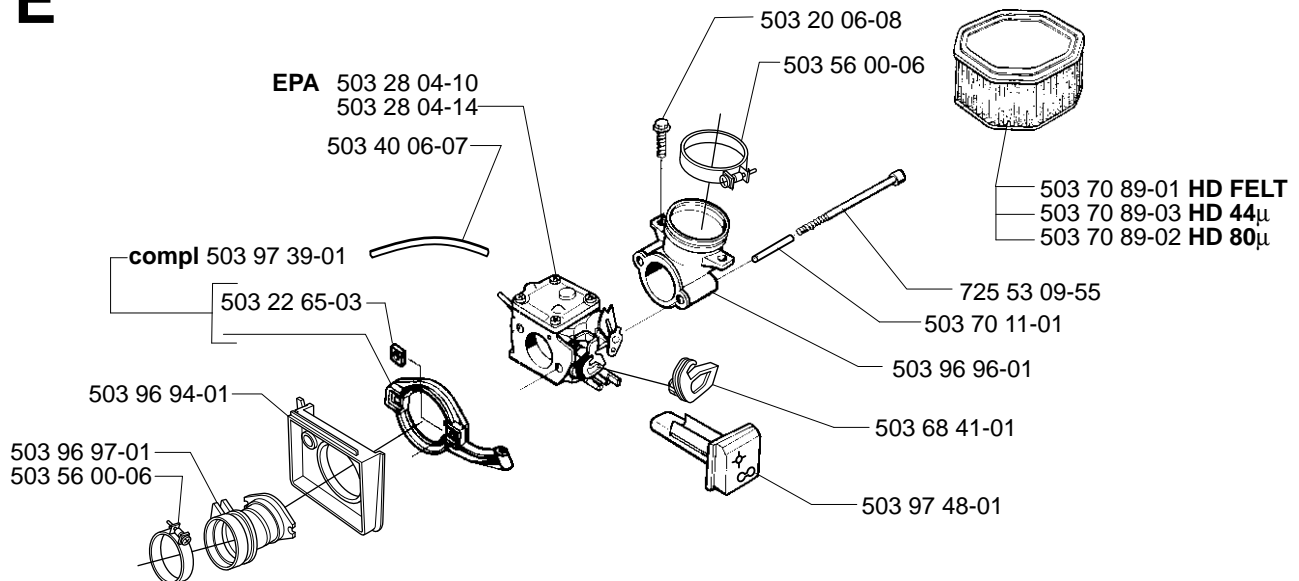


D

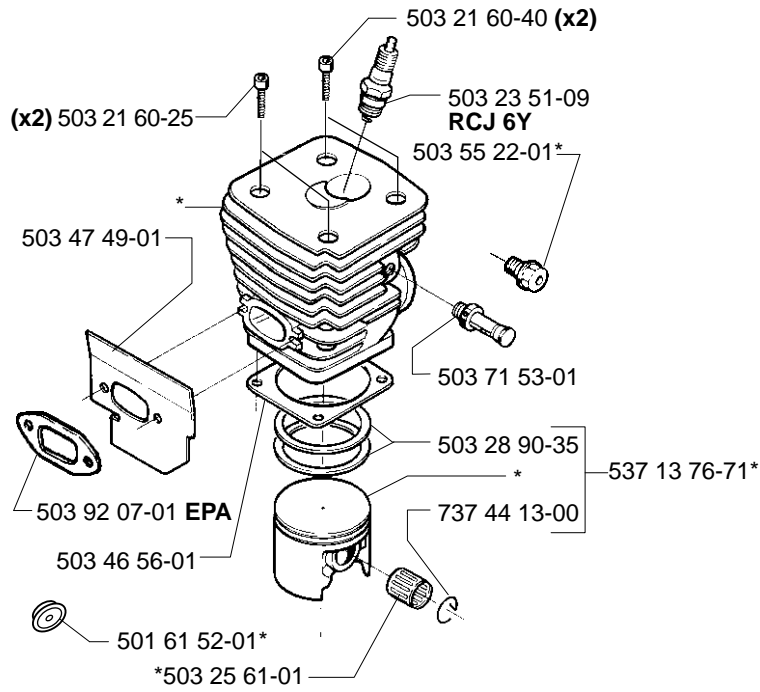
*compl 503 71 13-07 (FF)
 **compl 503 71 13-04 (Europe)
 **compl 503 71 13-05 (DJ)



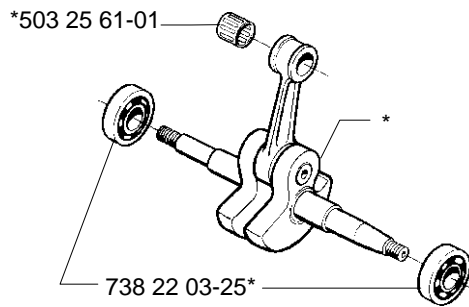
E



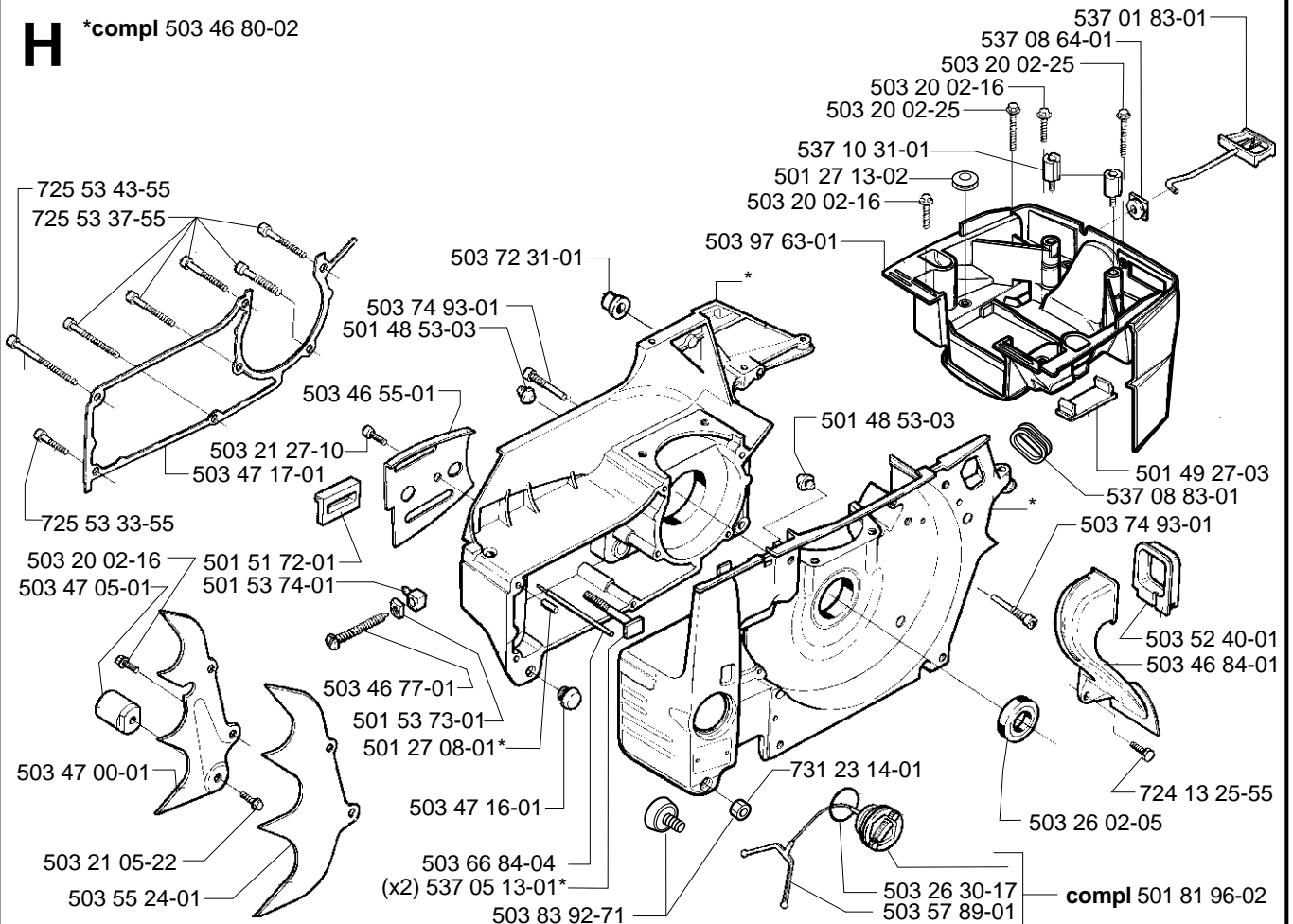
F *compl 503 99 39-71



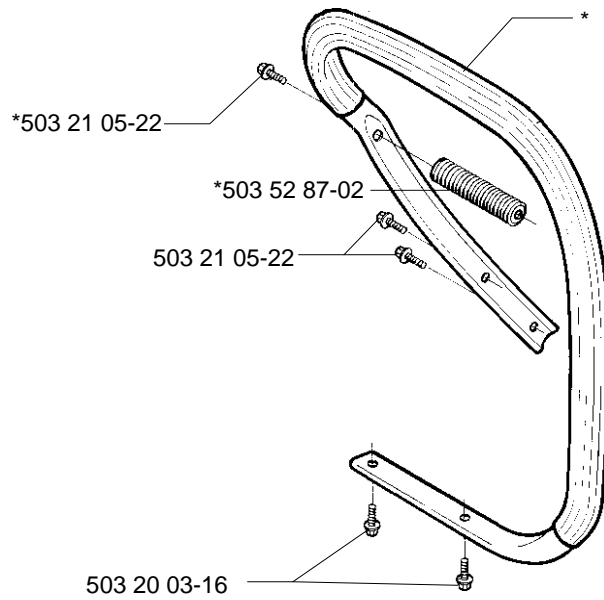
G *compl 537 09 05-71



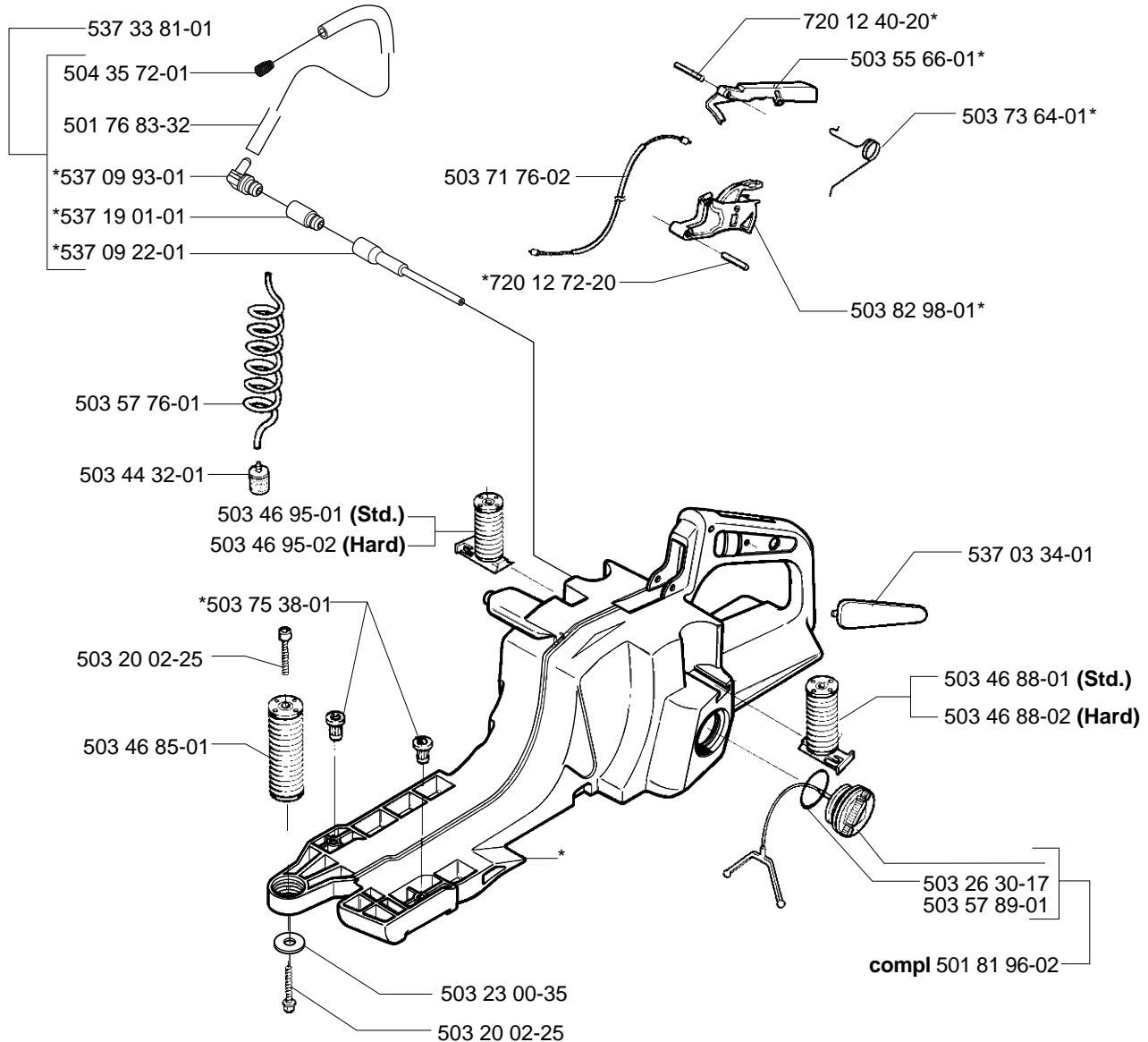
H *compl 503 46 80-02



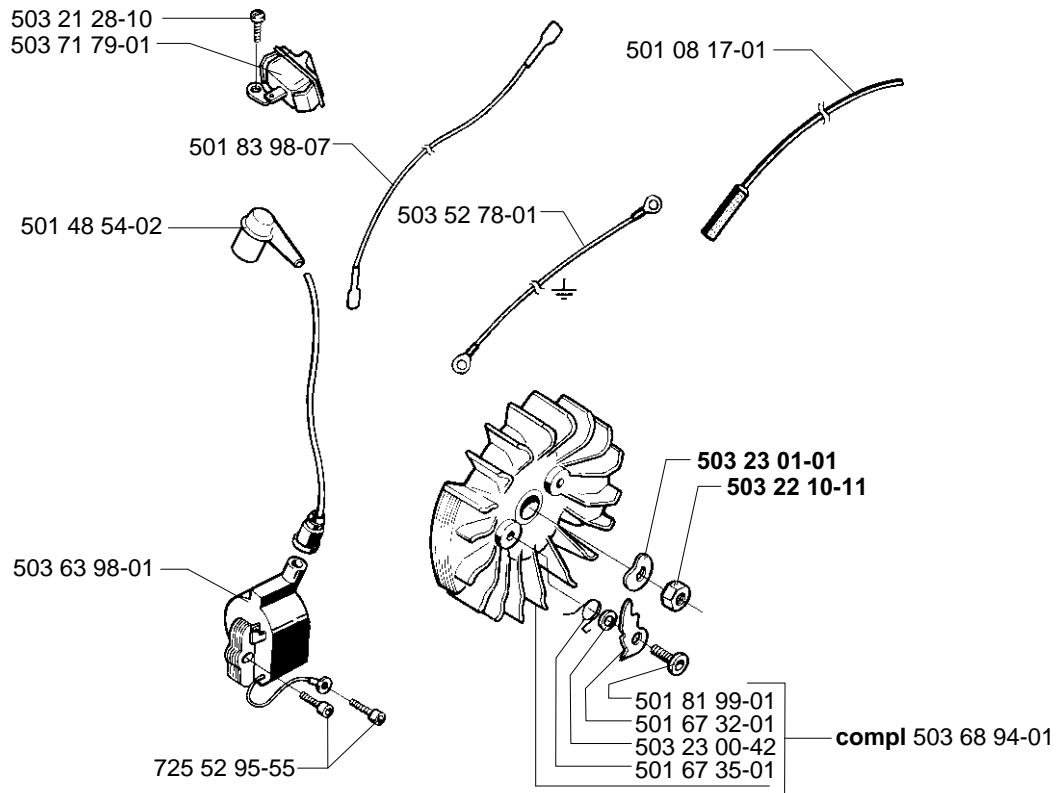
J *compl 503 46 35-71



K *compl 503 47 34-02

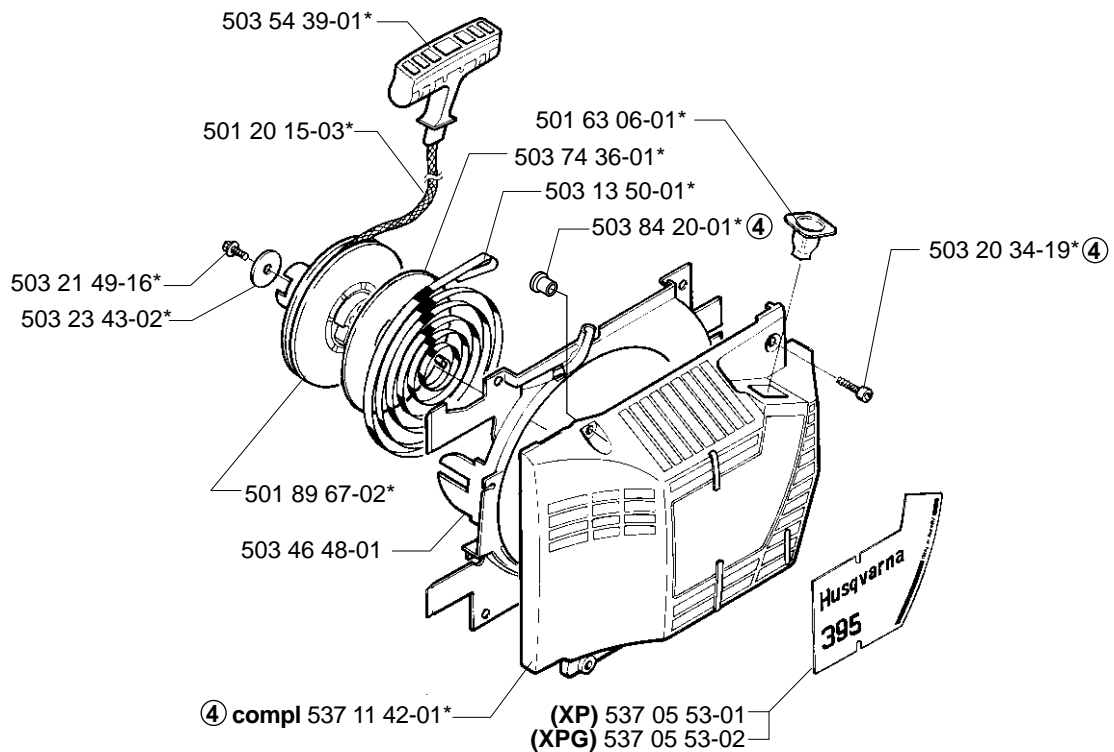


L

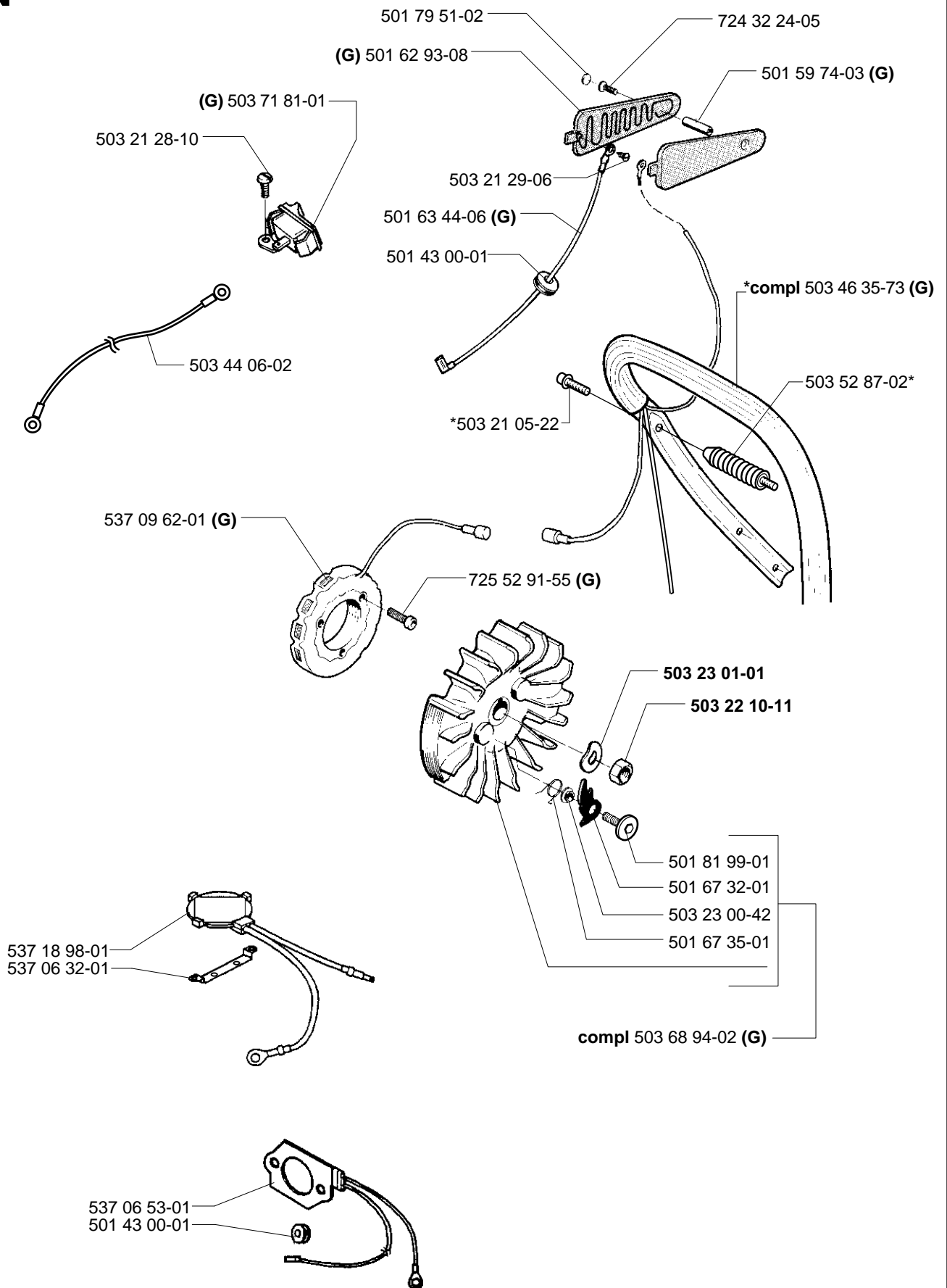


M

*compl 503 46 24-02

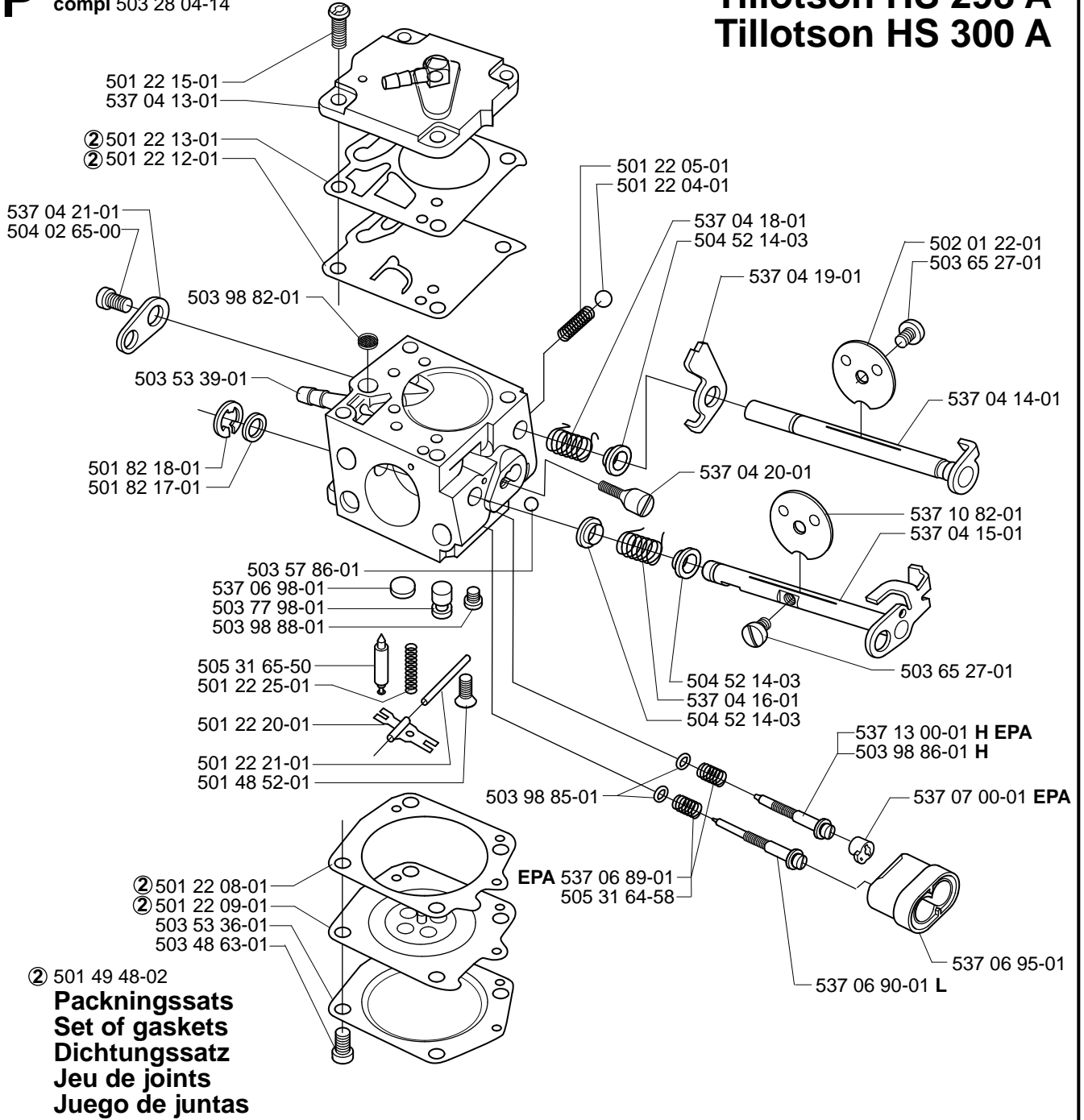


N

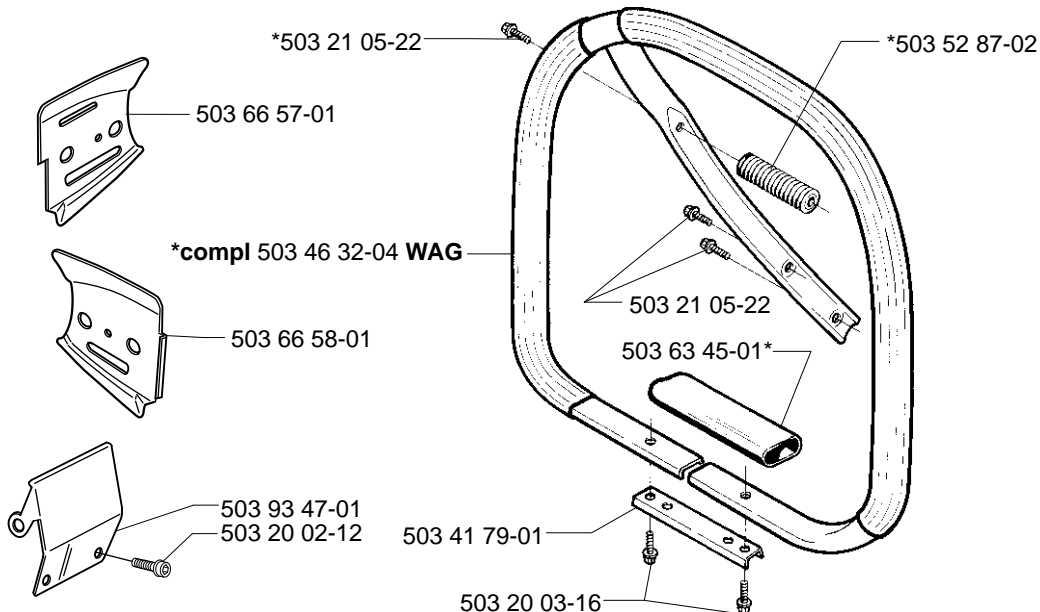


P compl 503 28 04-10 EPA
 compl 503 28 04-14

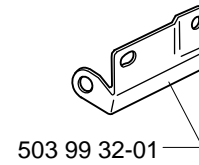
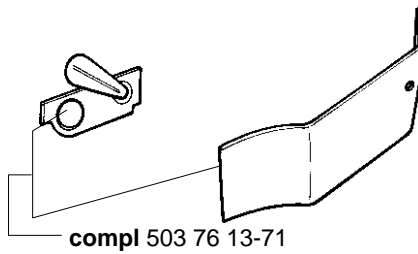
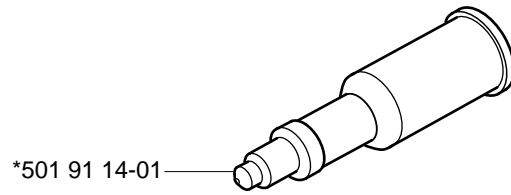
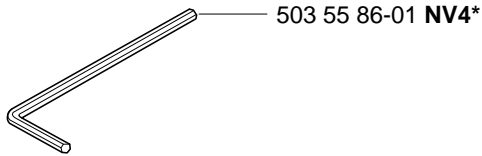
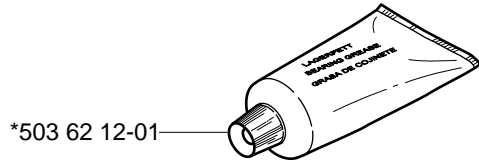
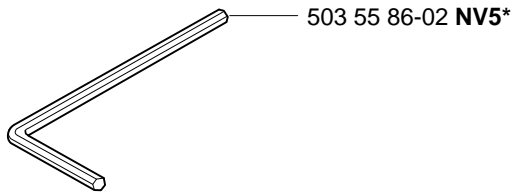
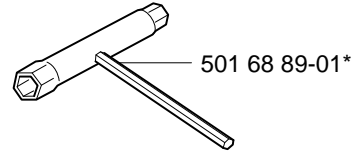
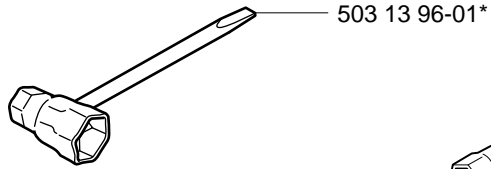
**Tillotson HS 298 A
 Tillotson HS 300 A**



Q



R Tillbehör
Accessories
Zubehöre
Accessoires
Accesorios
*compl 503 55 85-02



For Husqvarna Parts Call 606-678-9623 or 606-561-4983

PART NUMBER	SQUARE NOTE	PART NUMBER	SQUARE NOTE	PART NUMBER	SQUARE NOTE	PART NUMBER	SQUARE NOTE
501 08 17-01	L	503 20 03-16	J	503 46 88-01	K	503 72 08-01	A
501 20 15-03	M	503 20 03-16	Q	503 46 88-02	K	503 72 31-01	H
501 22 04-01	P	503 20 06-08	E N	503 46 95-01	K	503 73 15-06	A
501 22 05-01	P	503 20 07-10	D N	503 46 95-02	K	503 73 38-02	C
501 22 08-01	P 2	503 20 07-12	A N	503 47 00-01	H	503 73 64-01	K
501 22 09-01	P 2	503 20 26-16	A	503 47 05-01	H	503 74 36-01	M
501 22 12-01	P 2	503 20 34-19	M	503 47 16-01	H	503 74 93-01	H
501 22 13-01	P 2	503 20 34-25	C	503 47 17-01	H	503 74 93-01	H
501 22 15-01	P	503 21 05-22	H	503 47 34-02	K	503 75 38-01	K
501 22 20-01	P	503 21 05-22	J	503 47 49-01	F	503 76 08-01	A
501 22 21-01	P	503 21 05-22	J	503 48 63-01	P	503 76 13-71	R
501 22 25-01	P	503 21 05-22	N	503 52 08-01	A	503 77 98-01	P
501 27 08-01	H	503 21 05-22	Q	503 52 29-02	D	503 80 27-01	A
501 27 13-02	H	503 21 05-22	Q	503 52 40-01	H	503 82 98-01	K
501 28 85-01	B	503 21 27-10	H	503 52 64-09	C	503 83 92-71	H
501 43 00-01	N	503 21 28-10	A	503 52 78-01	L	503 84 20-01	M
501 43 00-01	N	503 21 28-10	A	503 52 87-02	J	503 92 07-01	F
501 48 52-01	P	503 21 28-10	L	503 52 87-02	N	503 93 47-01	Q
501 48 53-03	H	503 21 28-10	N	503 52 87-02	Q	503 96 94-01	E
501 48 53-03	H	503 21 29-06	N	503 53 36-01	P	503 96 96-01	E
501 48 54-02	L	503 21 49-16	M N	503 53 39-01	P	503 96 97-01	E
501 49 27-03	H	503 21 60-25	F	503 54 35-04	C	503 97 39-01	E
501 49 48-02	P 2 COMPL	503 21 60-40	F	503 54 39-01	M	503 97 48-01	E
501 51 54-02	D	503 21 89-01	D	503 55 22-01	F	503 97 63-01	H
501 51 72-01	A	503 22 00-01	A	503 55 24-01	H	503 98 74-01	C
501 51 72-01	H	503 22 10-02	L	503 55 66-01	K	503 98 82-01	P
501 51 99-01	B	503 22 10-02	N	503 55 75-01	B	503 98 85-01	P
501 53 73-01	H	503 22 24-01	A	503 55 85-02	R	503 98 86-01	P
501 53 74-01	H	503 22 24-02	D	503 55 86-01	R	503 98 88-01	P
501 54 41-02	B	503 22 65-03	E	503 55 86-02	R	503 99 32-01	R
501 54 48-01	B	503 23 00-19	B	503 56 00-06	E	503 99 39-71	F
501 59 74-03	N	503 23 00-35	K	503 56 00-06	E	504 02 65-00	P
501 59 79-02	B	503 23 00-42	L	503 57 37-01	A	504 35 72-01	K N
501 59 80-02	B	503 23 00-42	N	503 57 76-01	K	504 52 14-03	P
501 61 52-01	F	503 23 00-58	B	503 57 86-01	P	504 52 14-03	P
501 62 93-08	N	503 23 10-02	B	503 57 89-01	H	504 52 14-03	P
501 63 06-01	M	503 23 43-02	M	503 57 89-01	K	505 31 64-58	P
501 63 44-06	N	503 23 51-09	F	503 57 97-01	A	505 31 65-50	P
501 67 32-01	L	503 25 30-01	B	503 62 12-01	R	537 01 83-01	H
501 67 32-01	N	503 25 61-01	F N	503 62 59-03	B	537 03 34-01	K
501 67 35-01	L	503 25 61-01	G	503 62 59-04	B	537 04 13-01	P
501 67 35-01	N	503 26 02-05	H	503 63 45-01	Q	537 04 14-01	P
501 68 89-01	R	503 26 30-17	H	503 63 98-01	L	537 04 15-01	P
501 76 80-01	A	503 26 30-17	K	503 65 27-01	P	537 04 16-01	P
501 76 83-32	K N	503 28 04-10	E EPA	503 65 27-01	P	537 04 18-01	P
501 79 51-02	N	503 28 04-10	P	503 66 57-01	Q	537 04 19-01	P
501 81 96-02	H	503 28 04-14	E	503 66 58-01	Q	537 04 20-01	P
501 81 96-02	K	503 28 04-14	P	503 66 61-01	A	537 04 21-01	P
501 81 99-01	L	503 28 90-35	F	503 66 84-04	H	537 05 13-01	H
501 81 99-01	N	503 40 06-07	E	503 66 94-02	D	537 05 53-01	M
501 82 17-01	P	503 41 79-01	Q	503 68 41-01	E	537 05 53-02	M
501 82 18-01	P	503 42 14-01	B	503 68 94-01	L	537 05 59-01	C
501 83 98-07	L	503 42 24-01	B	503 68 94-02	N	537 06 32-01	N
501 87 47-01	A	503 44 06-02	N	503 69 02-01	A	537 06 53-01	N
501 87 53-01	A	503 44 32-01	K	503 70 11-01	E	537 06 89-01	P EPA
501 89 67-02	M	503 46 24-02	M	503 70 15-02	B	537 06 90-01	P
501 91 14-01	R	503 46 32-04	Q	503 70 89-01	E	537 06 95-01	P
502 01 22-01	P	503 46 35-71	J	503 70 89-02	E	537 06 98-01	P
503 13 50-01	M	503 46 35-73	N	503 70 89-03	E	537 07 00-01	P EPA
503 13 96-01	R	503 46 37-02	B	503 71 13-04	D	537 08 64-01	H
503 14 51-01	B	503 46 40-01	B	503 71 13-05	D	537 08 83-01	H
503 20 02-12	Q	503 46 42-01	B	503 71 13-07	D	537 09 05-71	G
503 20 02-16	D	503 46 43-01	B	503 71 24-01	A	537 09 22-01	K N
503 20 02-16	H	503 46 48-01	M	503 71 53-01	F	537 09 62-01	N
503 20 02-16	H	503 46 55-01	H	503 71 71-01	A	537 09 93-01	K N
503 20 02-16	H	503 46 56-01	F	503 71 76-02	K	537 10 31-01	H
503 20 02-25	H	503 46 77-01	H	503 71 79-01	L	537 10 82-01	P
503 20 02-25	H	503 46 80-02	H	503 71 81-01	N	537 11 42-01	M
503 20 02-25	K	503 46 84-01	H	503 72 06-01	A	537 13 00-01	P EPA
503 20 02-25	K	503 46 85-01	K	503 72 07-02	A	537 13 76-71	F

2 = 501 49 48-02

Set of gaskets, Dichtungssatz,
Jeu de joints, Juego de juntas,
Packingssatz

N = New part, Neues teil,
Nouvelle piece, Nueva pieza
Ny detalj

EPA = Environmental Protection Agency
(for USA only)

PART NUMBER	SQUARE NOTE	PART NUMBER	SQUARE NOTE
537 18 98-01	N		
537 19 01-01	K		
537 33 81-01	K		
720 12 33-00	A		
720 12 40-20	K		
720 12 72-20	K		
721 42 03-25	B		
721 42 52-50	A		
724 12 87-59	D		
724 13 25-55	H		
724 32 24-05	N		
725 52 91-55	N		
725 52 95-55	B		
725 52 95-55	L		
725 53 09-55	E		
725 53 33-55	H		
725 53 37-55	H		
725 53 43-55	H		
731 23 14-01	H		
735 11 73-50	L		
735 11 73-50	N		
735 31 08-20	A		
737 44 13-00	F		
738 22 03-25	G		

2 = 501 49 48-02

Set of gaskets, Dichtungssatz,
Jeu de joints, Juego de juntas,
Packningssats

N = New part, Neues teil,
Nouvelle piece, Nueva pieza
Ny detalj

EPA = Environmental Protection Agency
(for USA only)