

IPL, 346 XP, 2003-06, 106 25 44-65

# 346 XP

**Spare parts**

**Ersatzteile**

**Pièces détachées**

**Reserve onderdelen**

**Repuestos**

**Reservdelar**

Replaces

Ersetzt

Remplace

Vervangt

Reemplaza

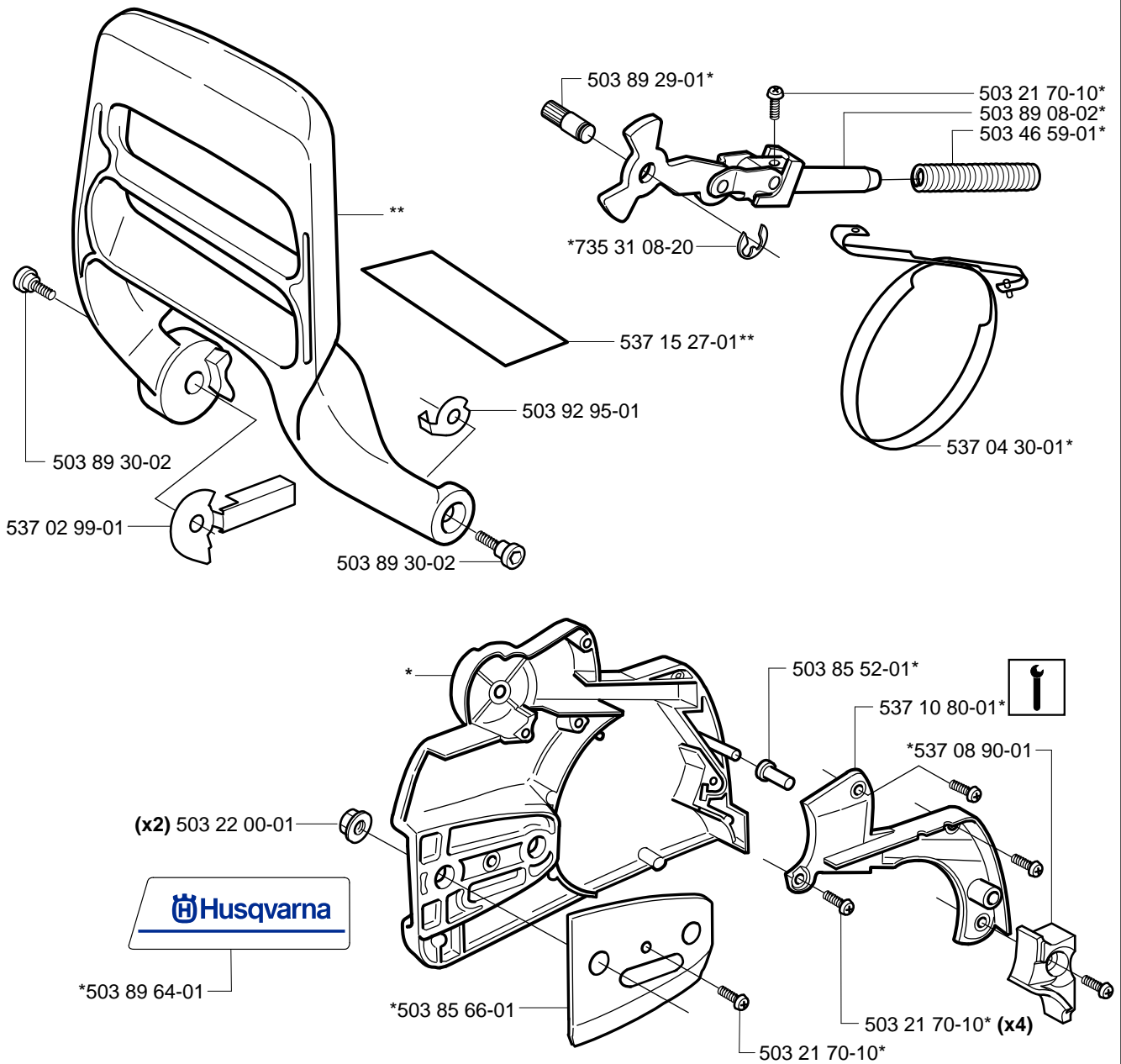
Ersätter

106 25 44-63

**A**

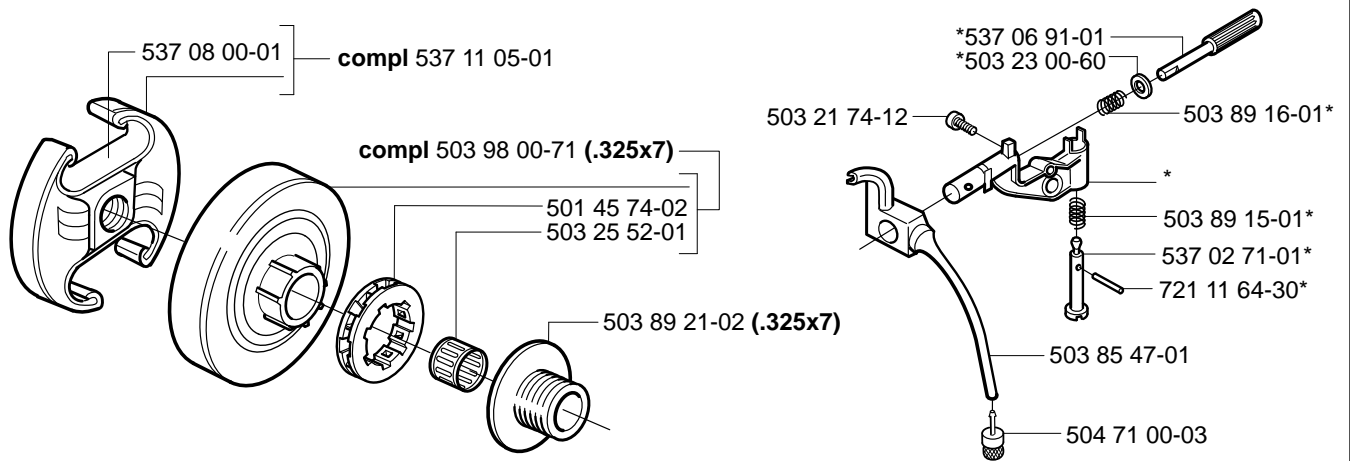
\*\*compl 537 15 28-01

\*compl 537 10 78-01

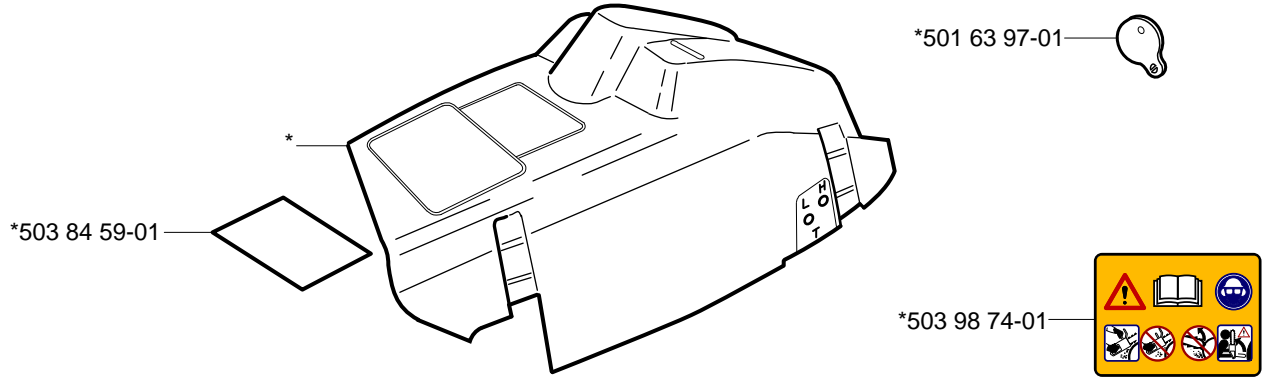


**B**

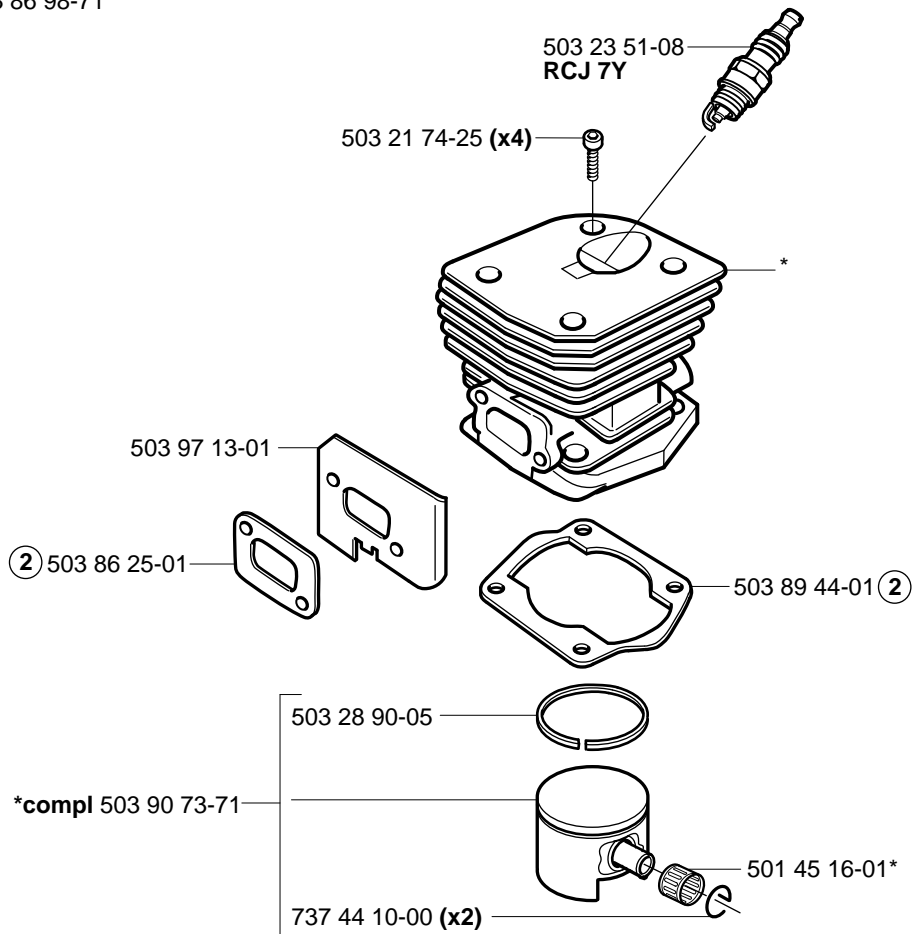
\*compl 537 10 55-01



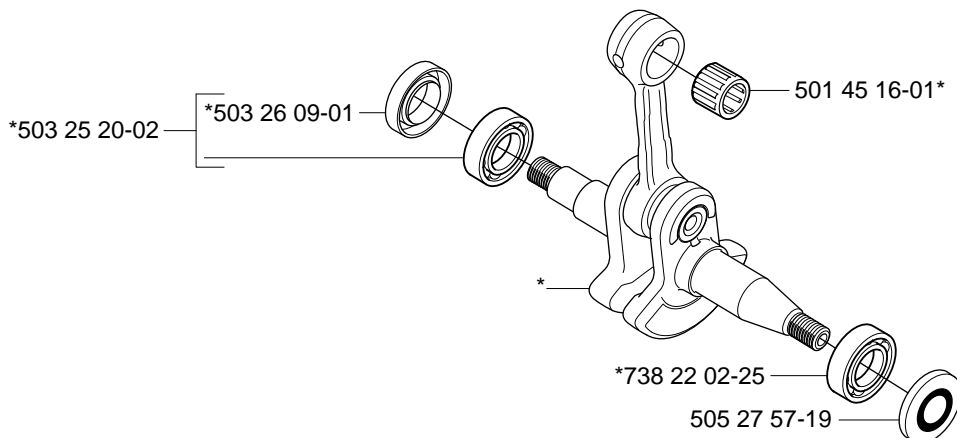
**C** \*compl 503 90 90-02



**D** \*compl 503 86 98-71

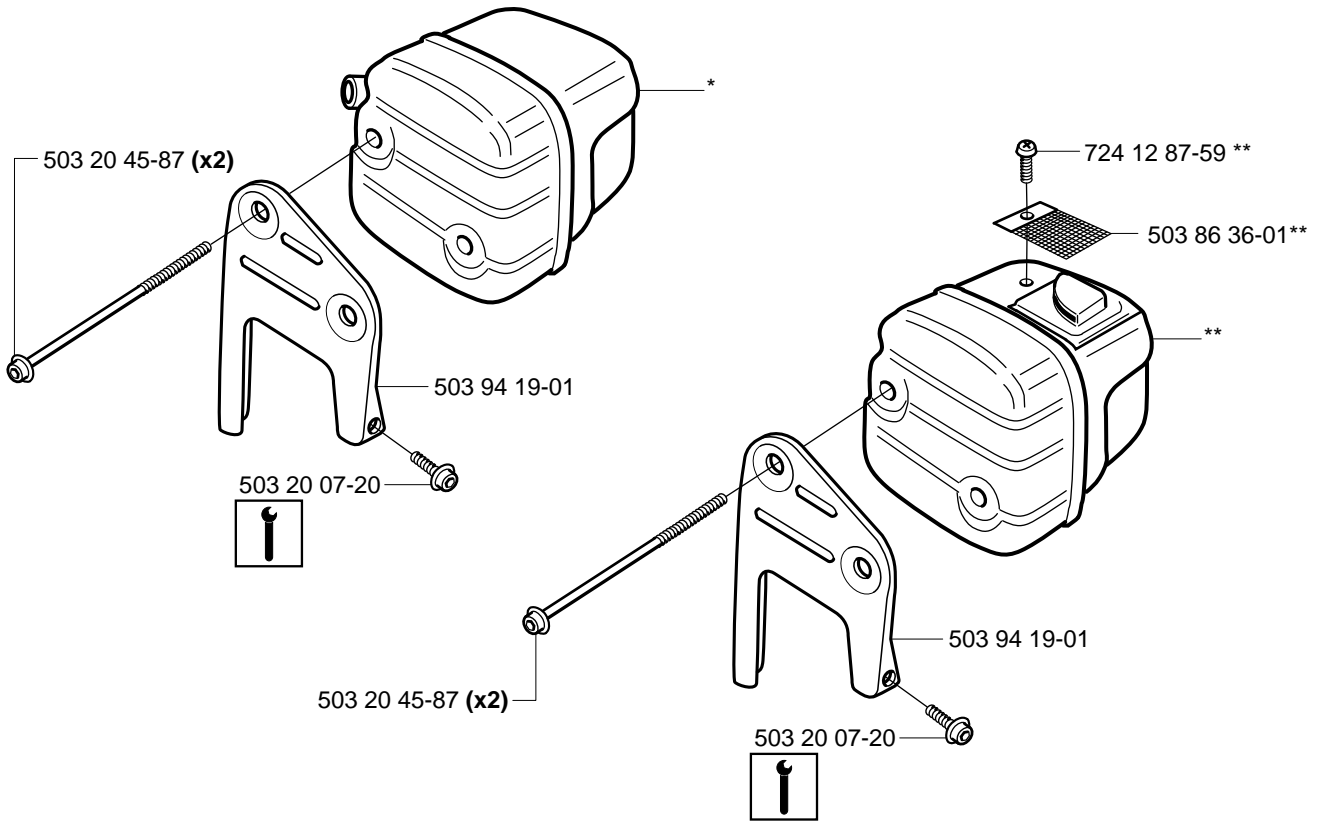


**E** \*compl 503 85 76-71

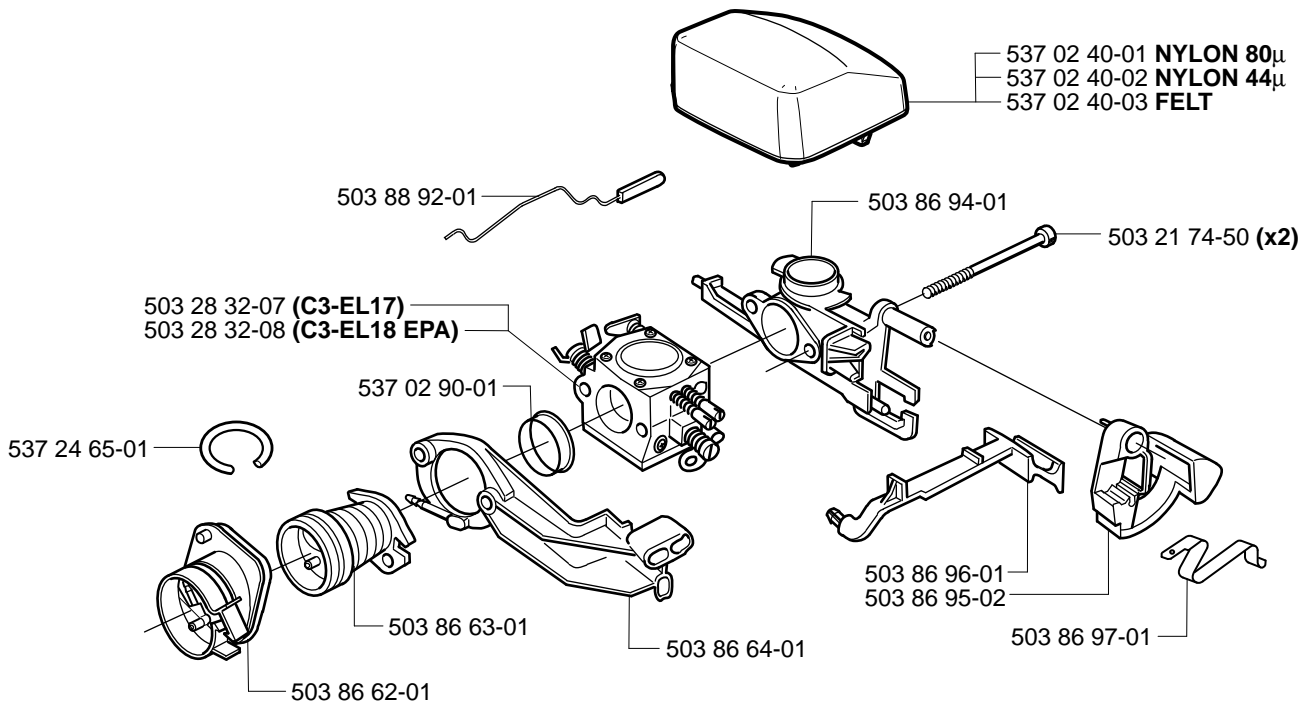


**F** \*compl 503 86 27-02 (EU)

\*\*compl 503 86 28-04 (DF)  
\*\*compl 537 07 54-01 (E-tech)

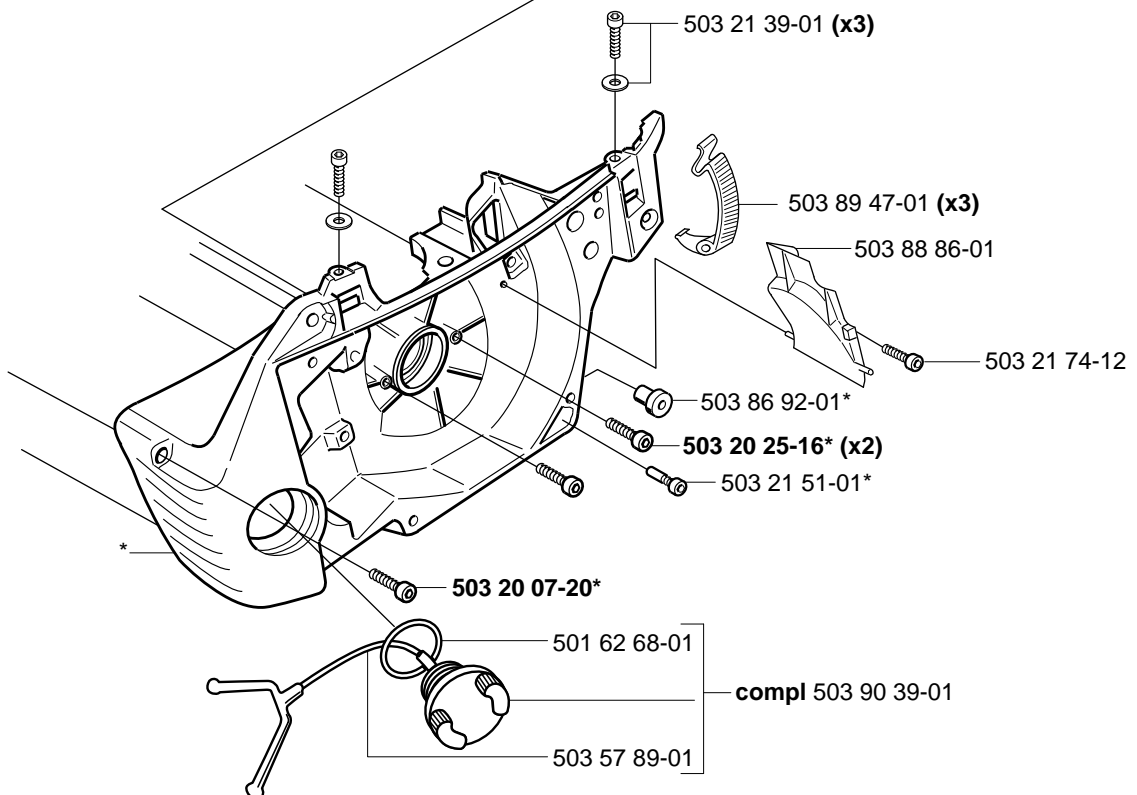
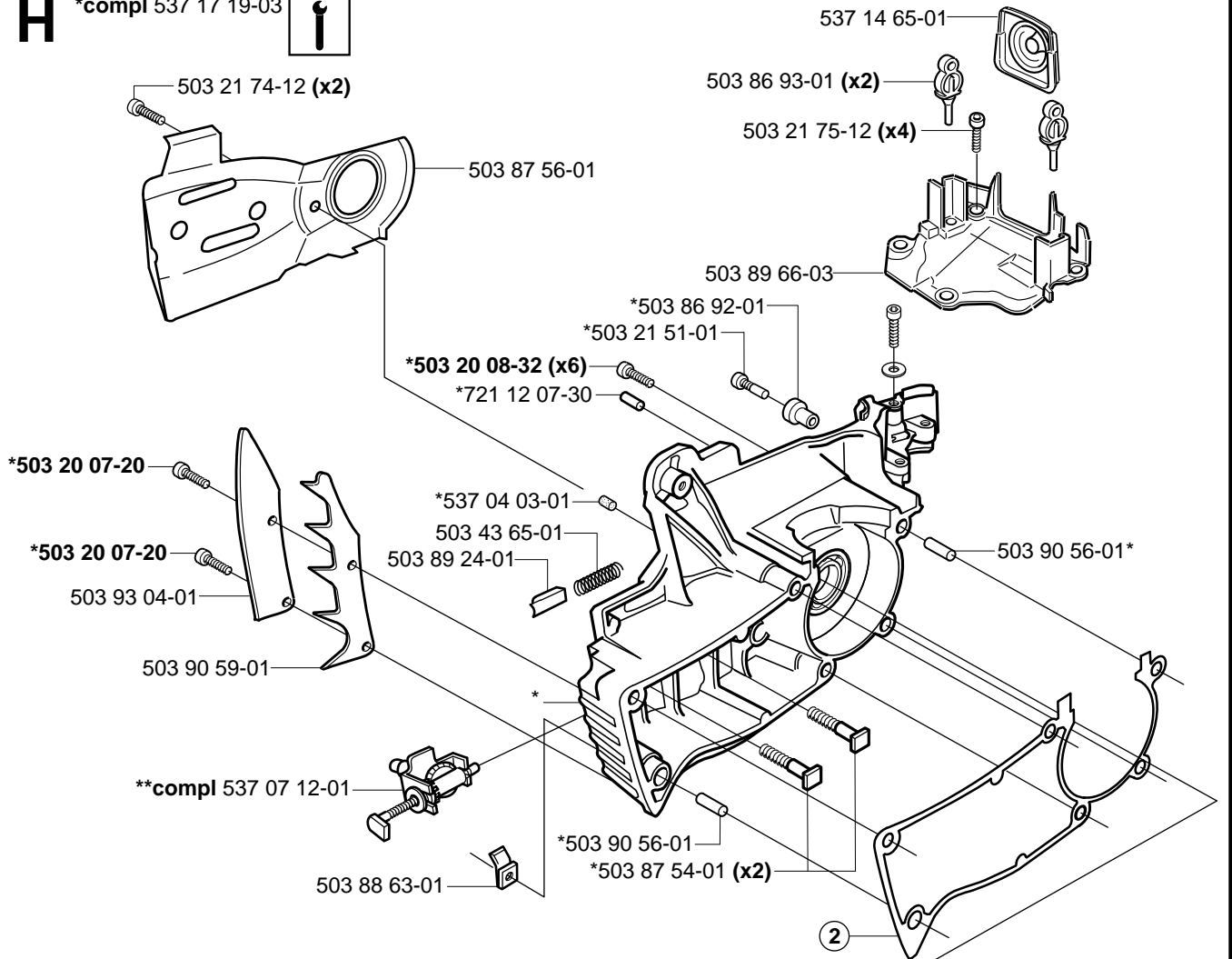


**G**

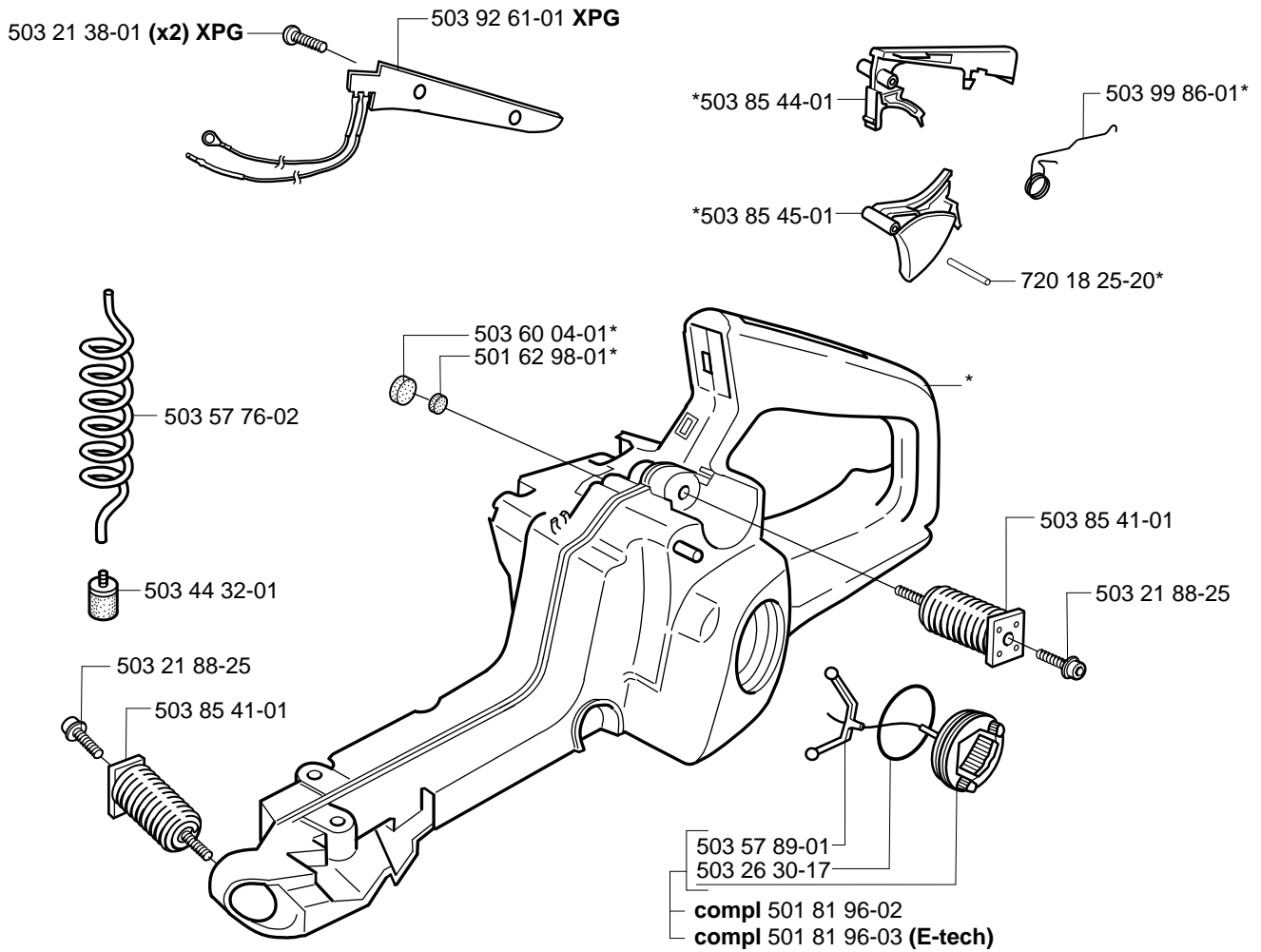


**H**

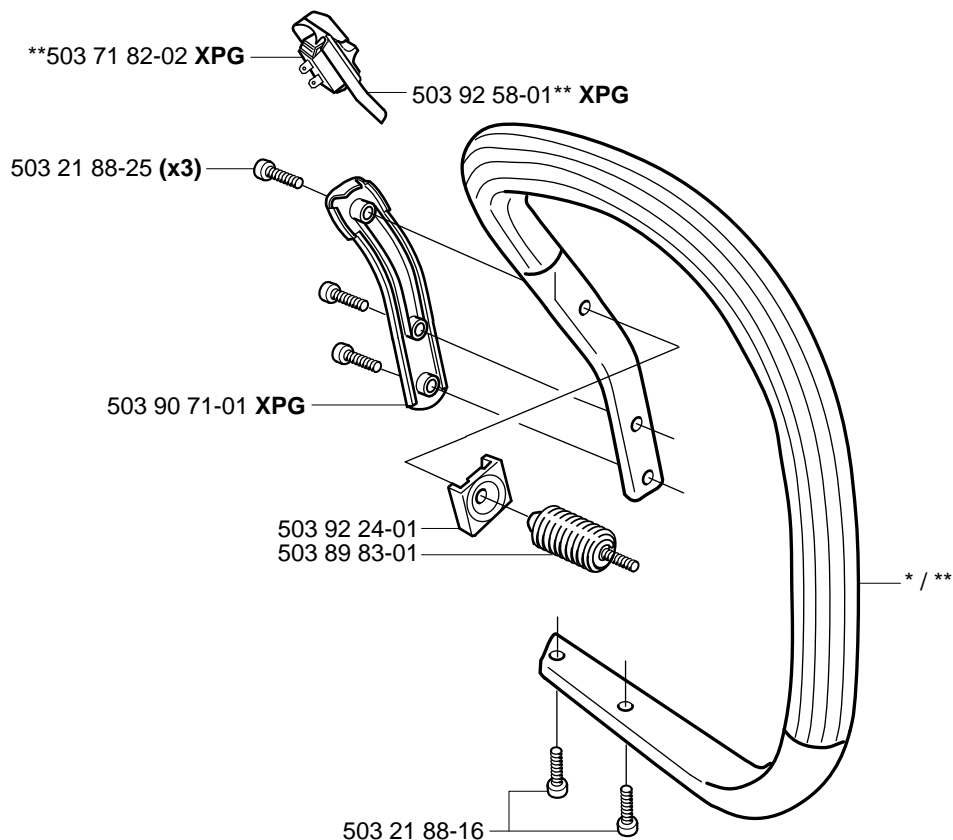
\*compl 537 17 19-03



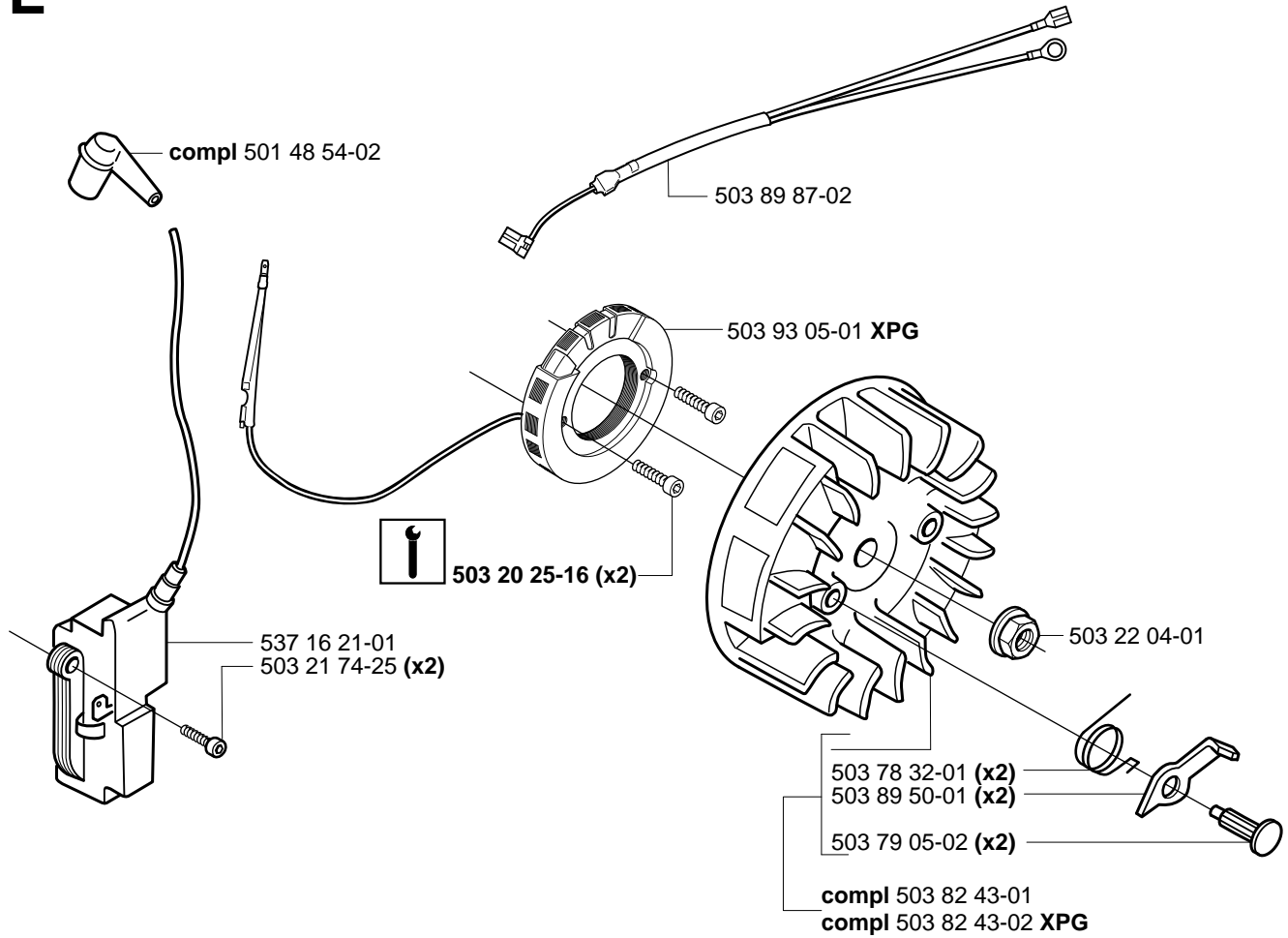
**J** \*compl 503 86 37-71



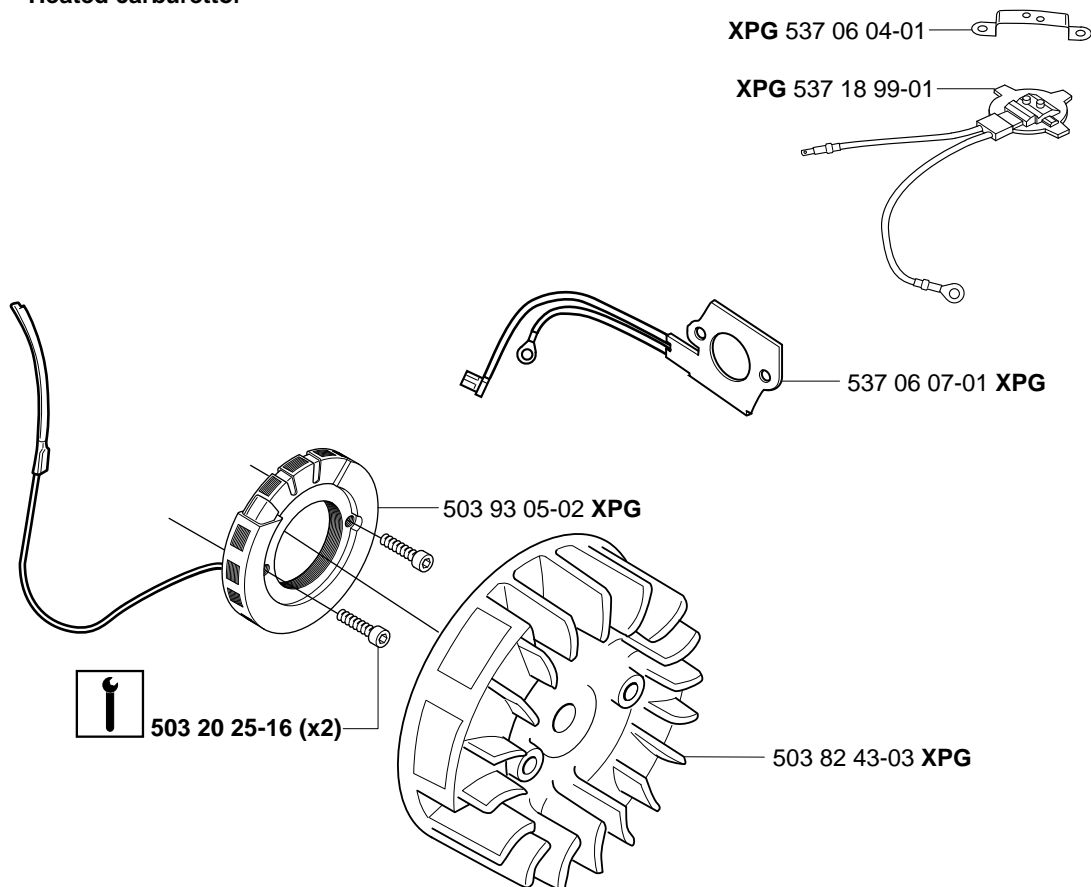
**K** \*compl 503 90 93-01    \*\* compl 503 90 93-03 XPG



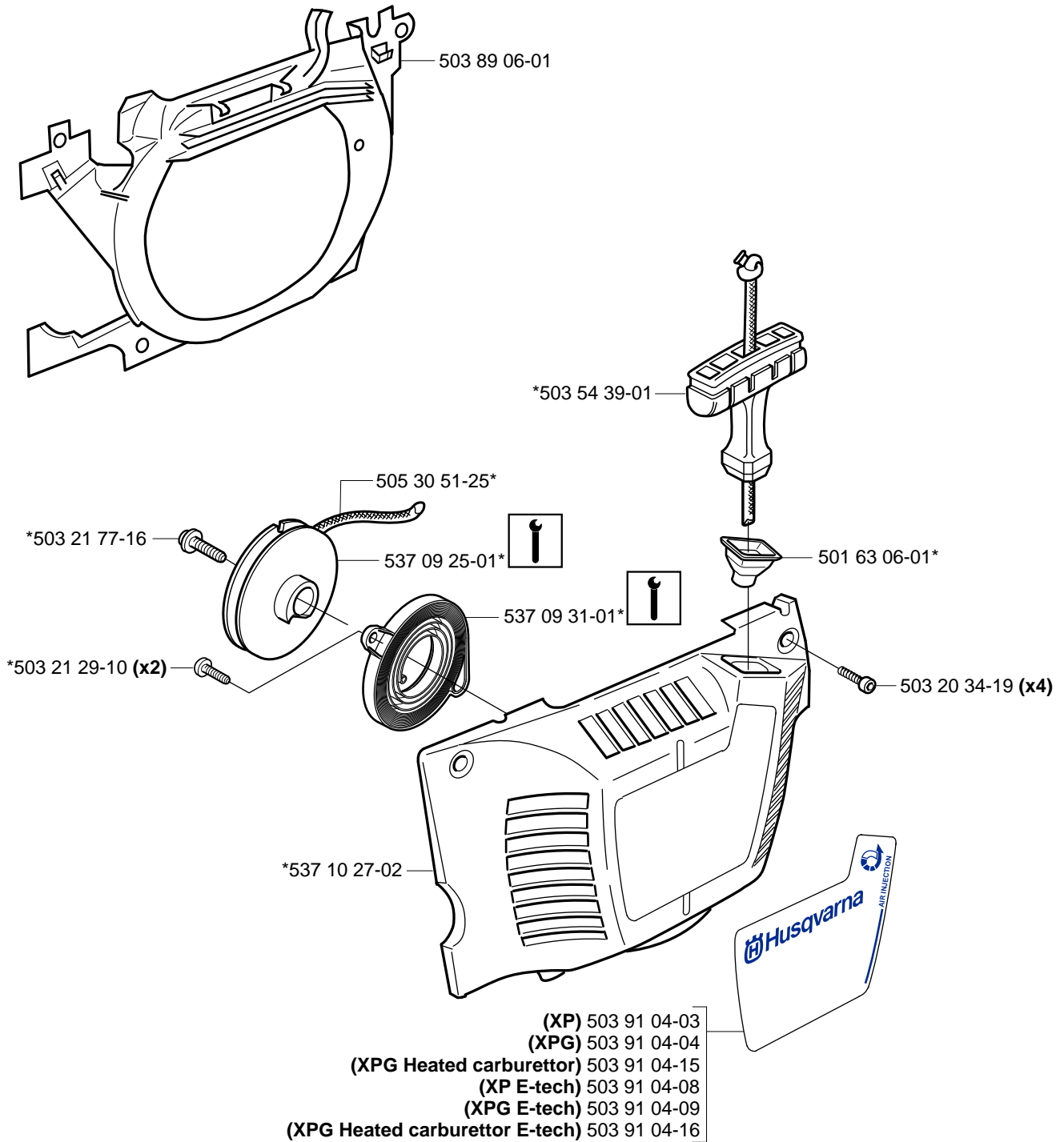
**L**



**Heated carburettor**



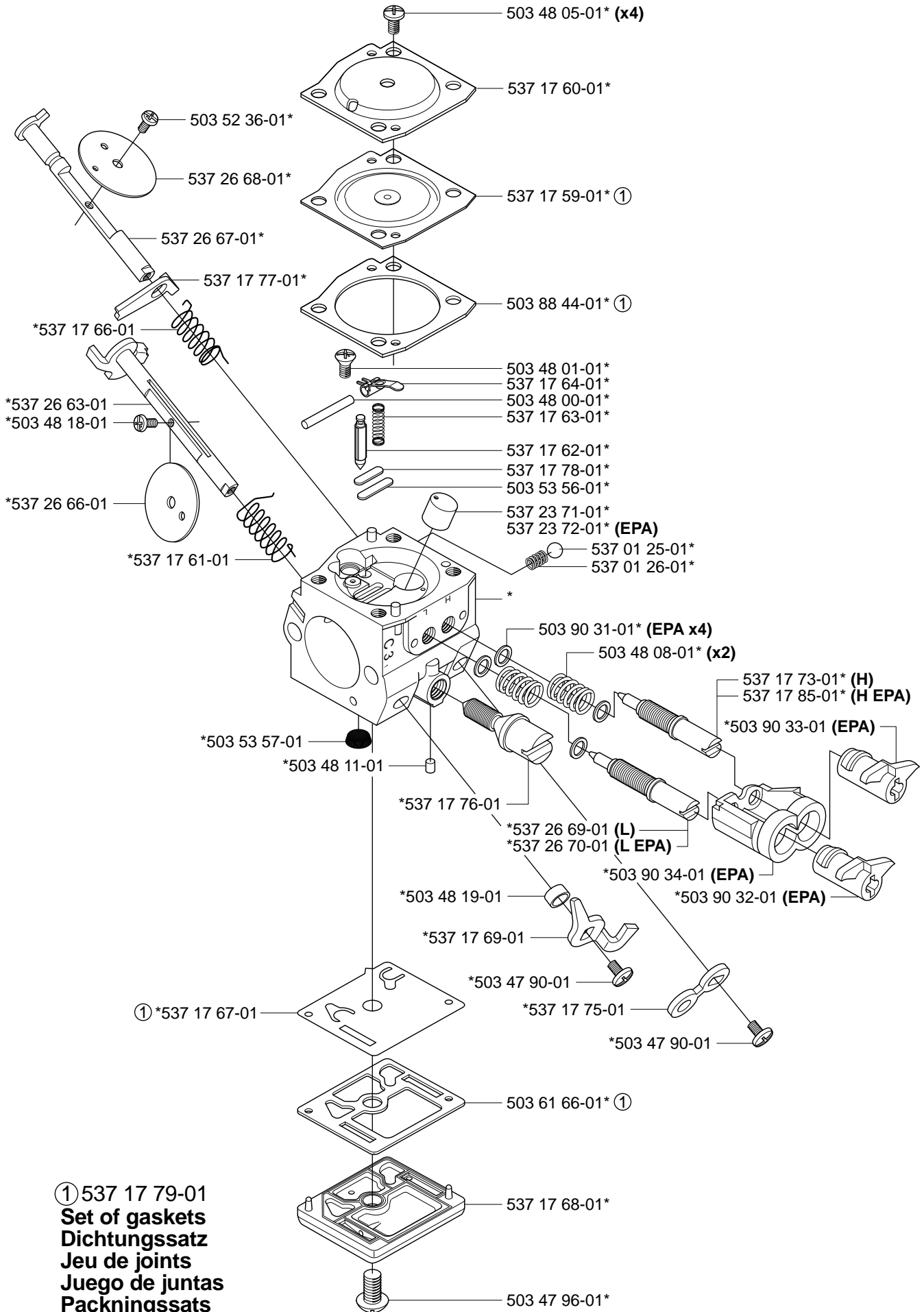
**M** \*compl 537 10 47-02





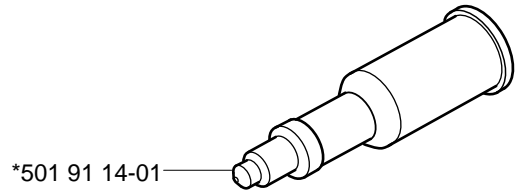
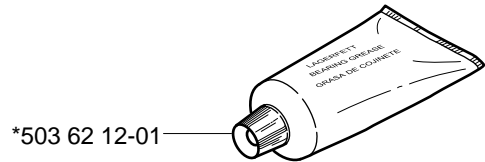
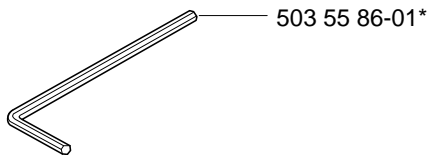
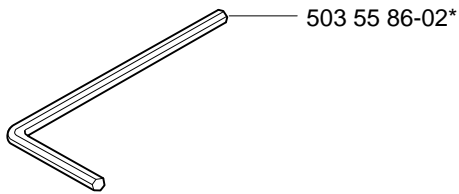
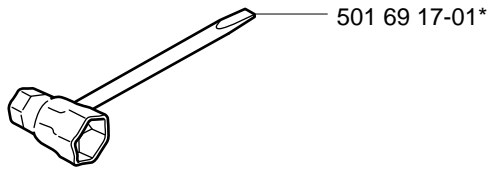
**N** \*compl 503 28 32-07 ZAMA C3-EL17  
 \*compl 503 28 32-08 ZAMA C3-EL18 EPA

**ZAMA C3-EL17**  
**ZAMA C3-EL18**



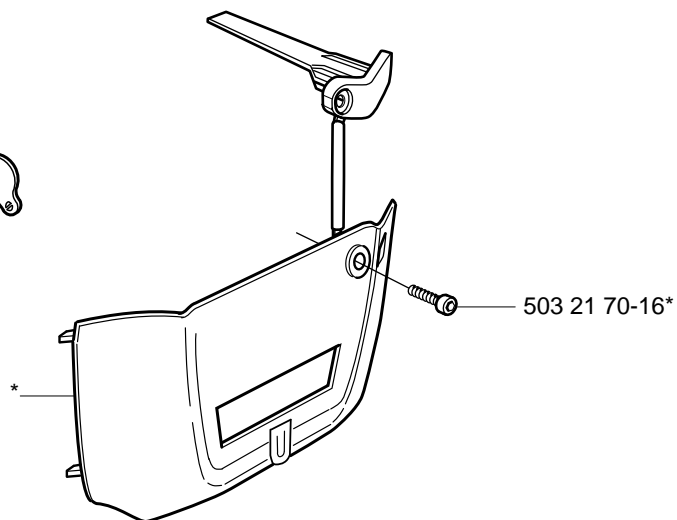
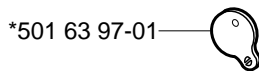
① 537 17 79-01  
**Set of gaskets**  
**Dichtungssatz**  
**Jeu de joints**  
**Juego de juntas**  
**Packningssats**

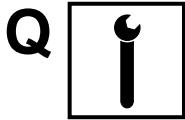
**P** Tillbehör  
Accessories  
Zubehöre  
Accessoires  
Accesorios  
\*compl 503 55 85-01



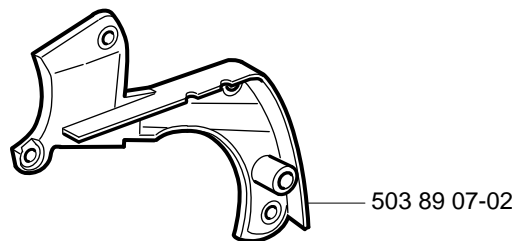
---

**WINTER KIT**  
\*compl 537 04 28-02

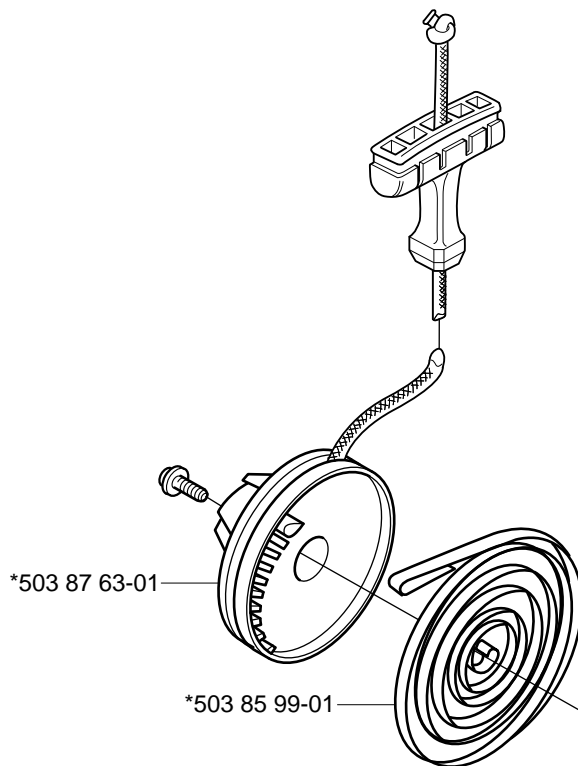




**Up to 004100041**



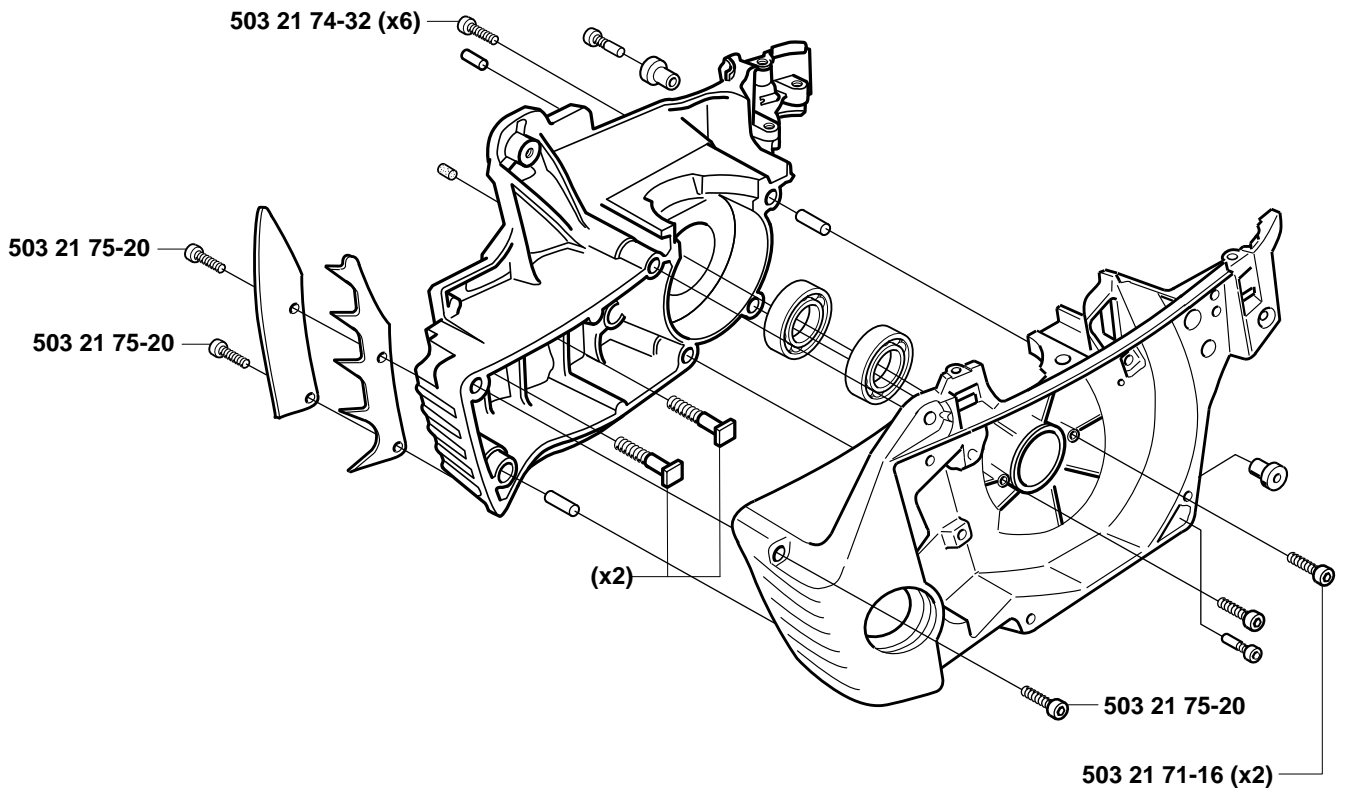
**Up to 010700001**



Q



Up to 030500001



# For Husqvarna Parts Call 606-678-9623 or 606-561-4983

PART NUMBER	SQUARE NOTE	PART NUMBER	SQUARE NOTE	PART NUMBER	SQUARE NOTE	PART NUMBER	SQUARE NOTE
501 45 16-01	D,E	503 82 43-02	L	503 92 95-01	A	537 26 70-01	N EPA,N
501 45 74-02	B	503 82 43-03	L	503 93 04-01	H	720 18 25-20	J
501 48 54-02	L	503 84 59-01	C	503 93 05-01	L	721 11 64-30	B
501 62 68-01	H	503 85 41-01	J	503 93 05-02	L	721 12 07-30	H
501 62 98-01	J	503 85 44-01	J	503 94 19-01	F	724 12 87-59	F
501 63 06-01	M N	503 85 45-01	J	503 94 28-02		735 31 08-20	A
501 63 97-01	C,P	503 85 47-01	B	503 97 13-01	D 2=compl	737 44 10-00	D
501 69 17-01	P	503 85 52-01	A	503 98 00-71	B	738 22 02-25	E
501 81 96-02	J	503 85 66-01	A	503 98 74-01	C		
501 81 96-03	J	503 85 76-71	E	503 99 86-01	J		
501 91 14-01	P	503 85 99-01	Q	504 71 00-03	B		
503 20 07-20	F	503 86 25-01	D 2	505 27 57-19	E		
503 20 08-32	H N	503 86 27-02	F N	505 30 51-25	M N		
503 20 25-16	L	503 86 28-04	F	537 01 25-01	N N		
503 20 34-19	M N	503 86 36-01	F	537 01 26-01	N N		
503 20 45-87	F	503 86 37-71	J	537 02 40-01	G		
503 21 29-10	M N	503 86 62-01	G	537 02 40-02	G		
503 21 38-01	J N	503 86 63-01	G	537 02 40-03	G		
503 21 39-01	H N	503 86 64-01	G	537 02 71-01	B		
503 21 51-01	H	503 86 92-01	H	537 02 90-01	G		
503 21 70-10	A,P	503 86 93-01	H	537 02 99-01	A		
503 21 70-16	P,Q	503 86 94-01	G	537 04 03-01	H		
503 21 74-12	B,H	503 86 95-02	G	537 04 28-02	P N		
503 21 74-25	D,L	503 86 96-01	G	537 04 30-01	A		
503 21 74-32	Q	503 86 97-01	G	537 06 04-01	L		
503 21 74-50	G	503 86 98-71	D	537 06 07-01	L		
503 21 75-12	H	503 87 54-01	H	537 06 91-01	B		
503 21 75-20	Q	503 87 56-01	H	537 07 12-01	H		
503 21 77-16	M N	503 87 63-01	Q	537 07 54-01	F		
503 21 88-16	K	503 88 44-01	N 1,N	537 08 00-01	B N		
503 21 88-25	J,K	503 88 63-01	H	537 08 90-01	A		
503 22 00-01	A	503 88 86-01	H	537 09 25-01	M N		
503 22 04-01	L	503 88 92-01	G	537 09 31-01	M N		
503 23 00-60	B	503 89 06-01	M N	537 10 27-02	M N		
503 23 51-08	D	503 89 07-02	Q	537 10 47-02	M N		
503 25 20-02	E	503 89 08-02	A	537 10 55-01	B		
503 25 52-01	B	503 89 15-01	B	537 10 78-01	A		
503 26 09-01	E	503 89 16-01	B	537 10 80-01	A		
503 26 30-17	J	503 89 21-02	B	537 11 05-01	B N		
503 28 32-07	G,N N	503 89 24-01	H	537 14 65-01	H N		
503 28 32-08	G,N EPA,N	503 89 29-01	A	537 15 27-01	A		
503 28 90-05	D	503 89 30-02	A	537 15 28-01	A		
503 43 65-01	H	503 89 44-01	D 2	537 16 21-01	L N		
503 44 32-01	J	503 89 47-01	H	537 17 19-03	H,Q		
503 46 59-01	A	503 89 50-01	L	537 17 59-01	N 1,N		
503 47 90-01	N N	503 89 64-01	A	537 17 60-01	N N		
503 47 96-01	N N	503 89 66-03	H	537 17 61-01	N N		
503 48 00-01	N N	503 89 83-01	K	537 17 62-01	N N		
503 48 01-01	N N	503 89 87-02	L	537 17 63-01	N N		
503 48 05-01	N N	503 90 31-01	N EPA,N	537 17 64-01	N N		
503 48 08-01	N N	503 90 32-01	N EPA,N	537 17 66-01	N N		
503 48 11-01	N N	503 90 33-01	N EPA,N	537 17 67-01	N 1,N		
503 48 18-01	N N	503 90 34-01	N EPA,N	537 17 68-01	N N		
503 48 19-01	N N	503 90 39-01	H	537 17 69-01	N N		
503 52 36-01	N N	503 90 56-01	H	537 17 73-01	N N		
503 53 56-01	N N	503 90 59-01	H	537 17 75-01	N N		
503 53 57-01	N N	503 90 71-01	K	537 17 76-01	N N		
503 54 39-01	M N	503 90 73-71	D	537 17 77-01	N N		
503 55 85-01	P	503 90 90-02	C	537 17 78-01	N N		
503 55 86-01	P	503 90 93-01	K	537 17 79-01	N 1=compl,N		
503 55 86-02	P	503 90 93-03	K N	537 17 85-01	N EPA,N		
503 57 76-02	J	503 91 04-03	M N	537 18 99-01	L N		
503 57 89-01	H,J	503 91 04-04	M N	537 23 71-01	N N		
503 60 04-01	J	503 91 04-08	M N	537 23 72-01	N EPA,N		
503 61 66-01	N 1,N	503 91 04-09	M N	537 24 65-01	G N		
503 62 12-01	P	503 91 04-15	M N	537 26 63-01	N N		
503 71 82-02	K	503 91 04-16	M N	537 26 66-01	N N		
503 78 32-01	L	503 92 24-01	K	537 26 67-01	N N		
503 79 05-02	L	503 92 58-01	K	537 26 68-01	N N		
503 82 43-01	L	503 92 61-01	J	537 26 69-01	N N		

1 = 537 17 79-01  
2 = 503 94 28-02

Set of gaskets, Dichtungssatz,  
Jeu de joints, Juego de juntas,  
Packningsatts

N = New part, Neues teil,  
Nouvelle piece, Nueva pieza  
Ny detalj