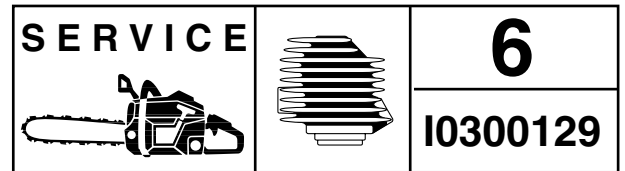


For Husqvarna Parts Call 606-678-9623 or 606-561-4983

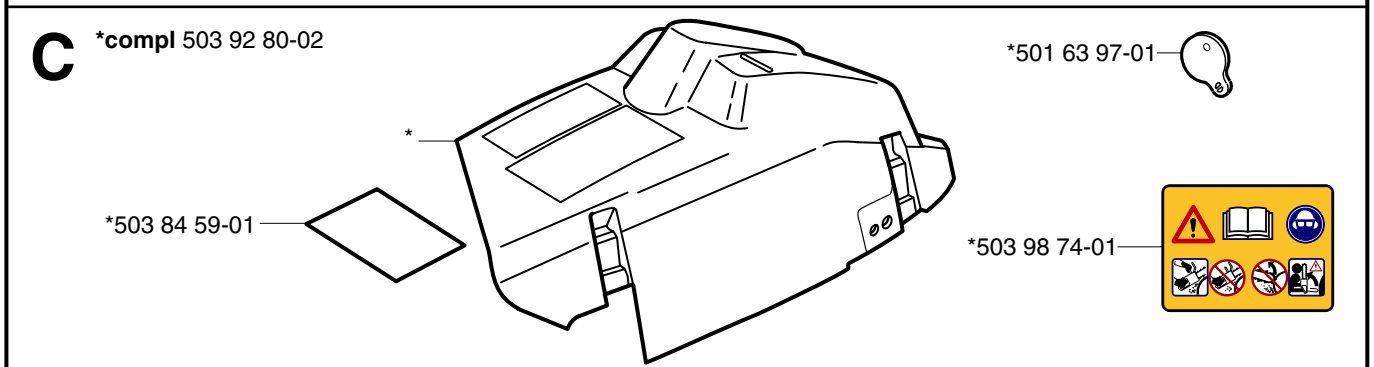
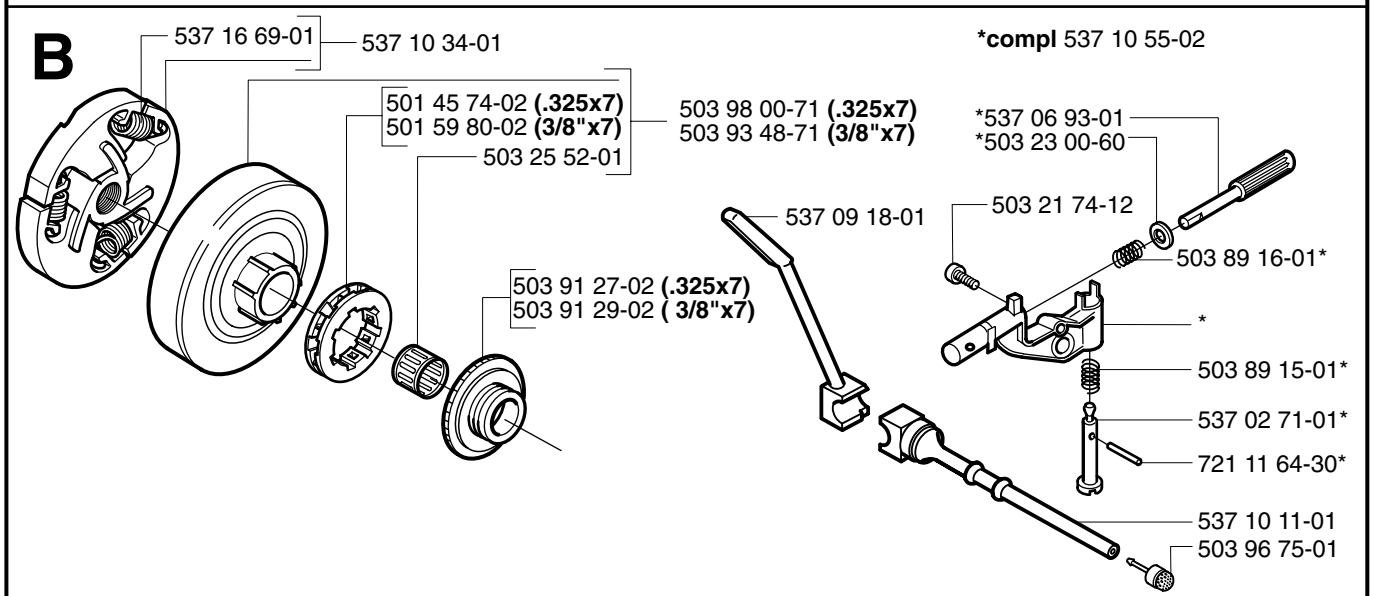
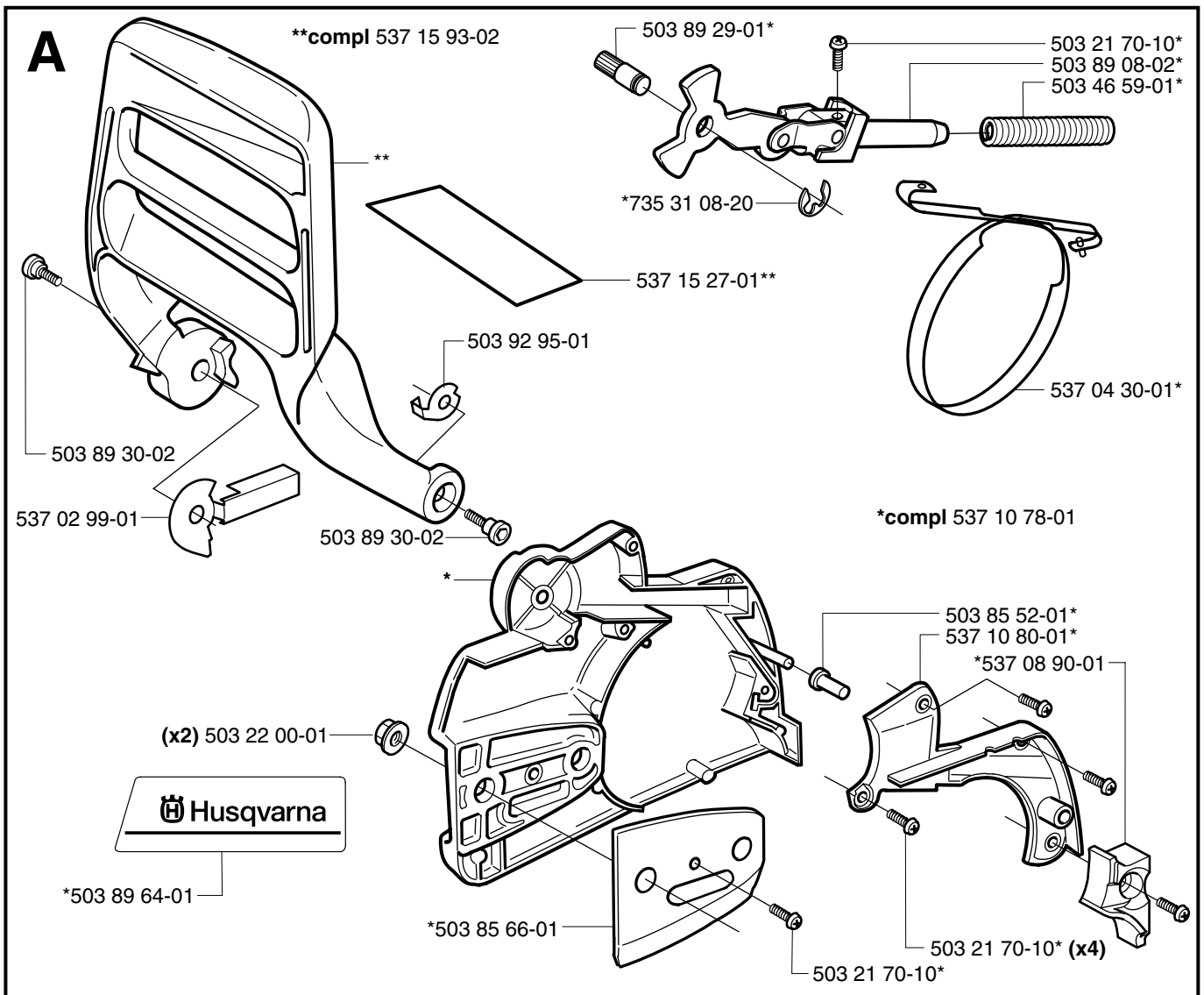


IPL, 357 XP, 359, 357 XP EPA I, 359 EPA I, 2003-04, 106 26 06-63

357XP, 359 357XP EPA I 359 EPA I

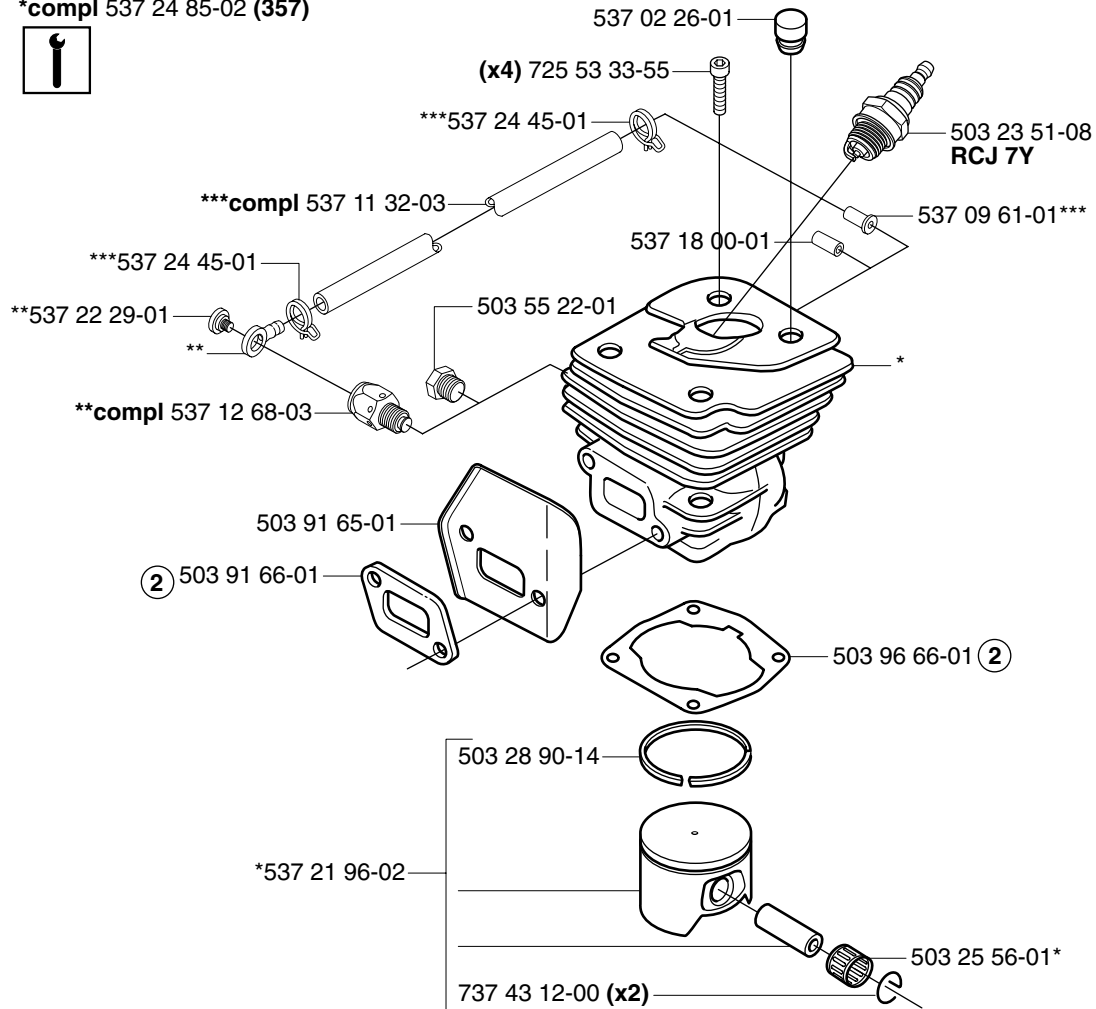
Spare parts	Replaces	
Ersatzteile	Ersetzt	
Pièces détachées	Remplace	
Reserve onderdelen	Vervangt	
Repuestos	Reemplaza	
Reservdelar	Ersätter	106 26 06-62

106 26 06-63



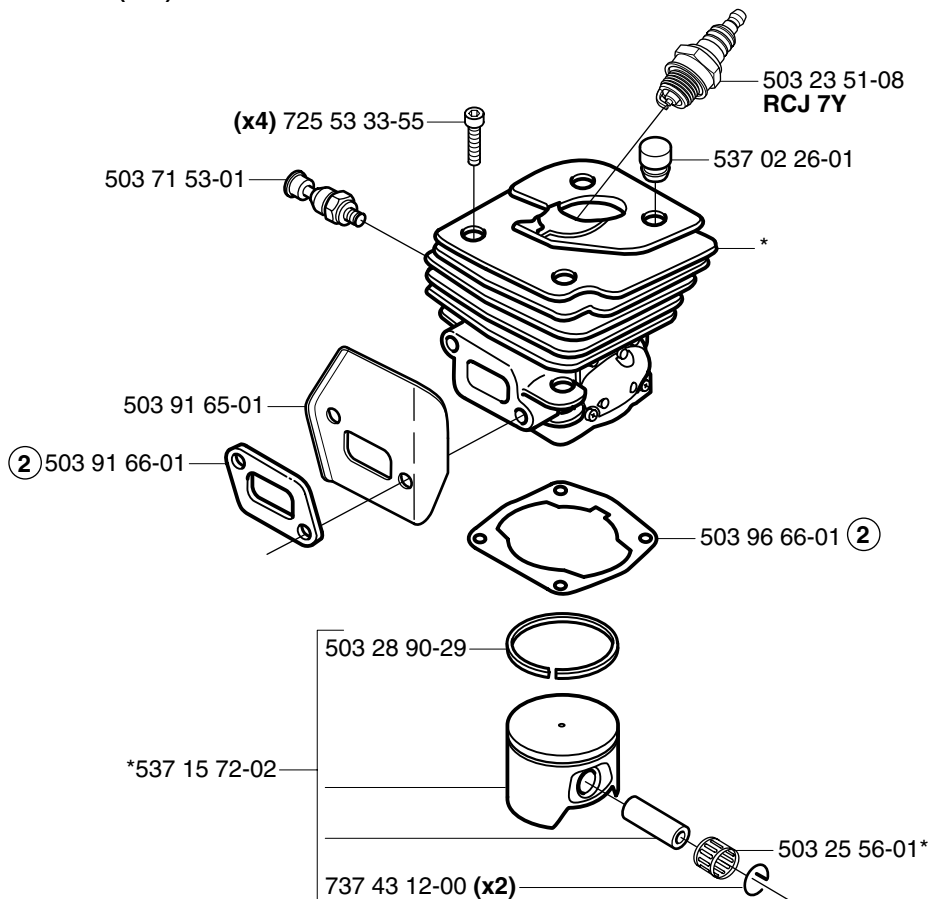
D

*compl 537 24 85-02 (357)

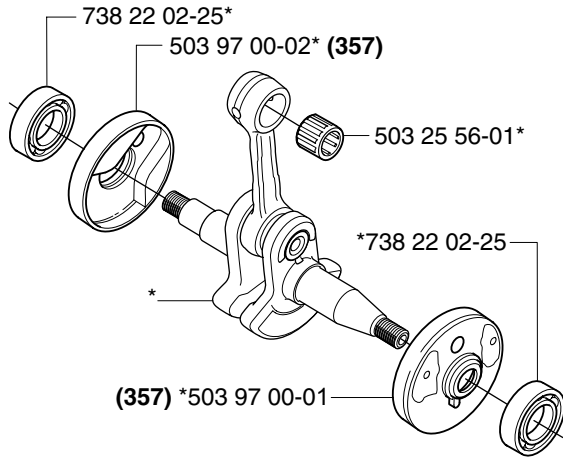


D

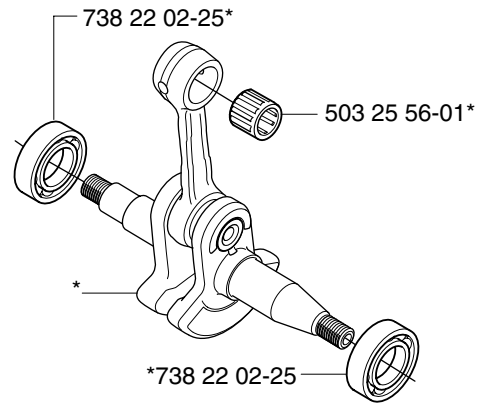
*compl 537 15 73-02 (359)



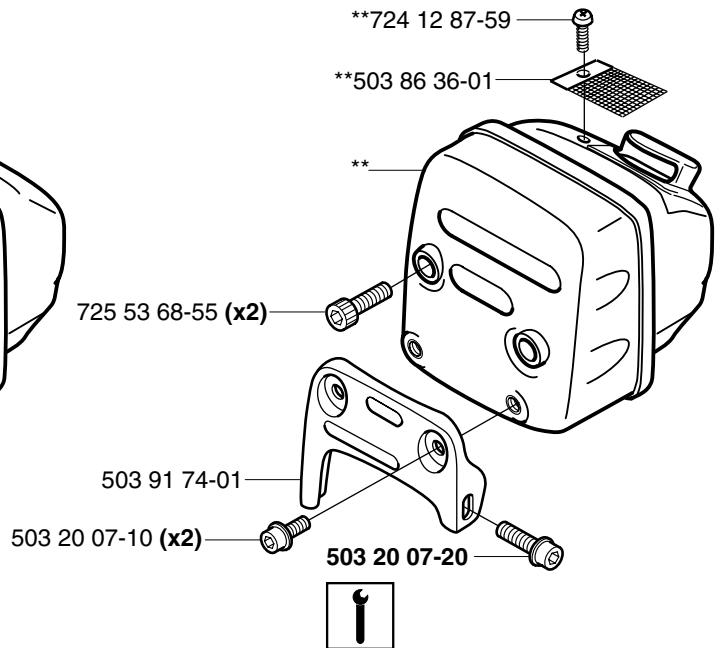
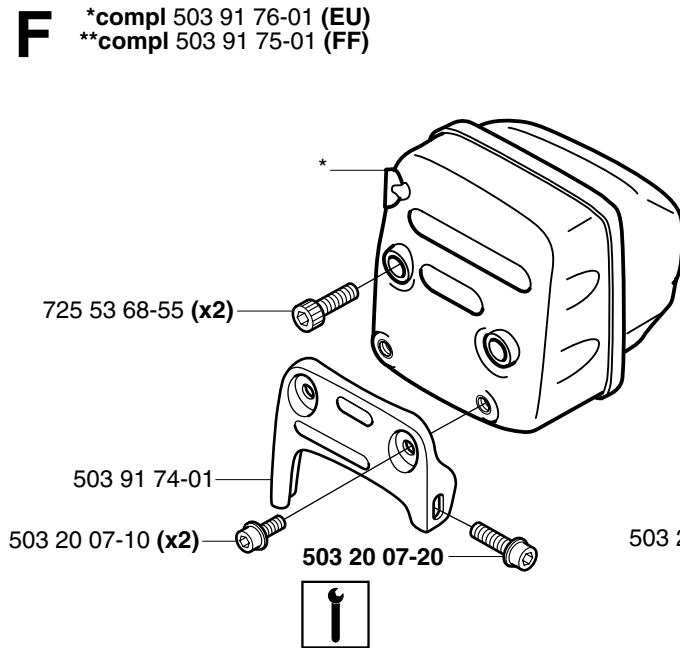
E *compl 537 21 92-01 (357)



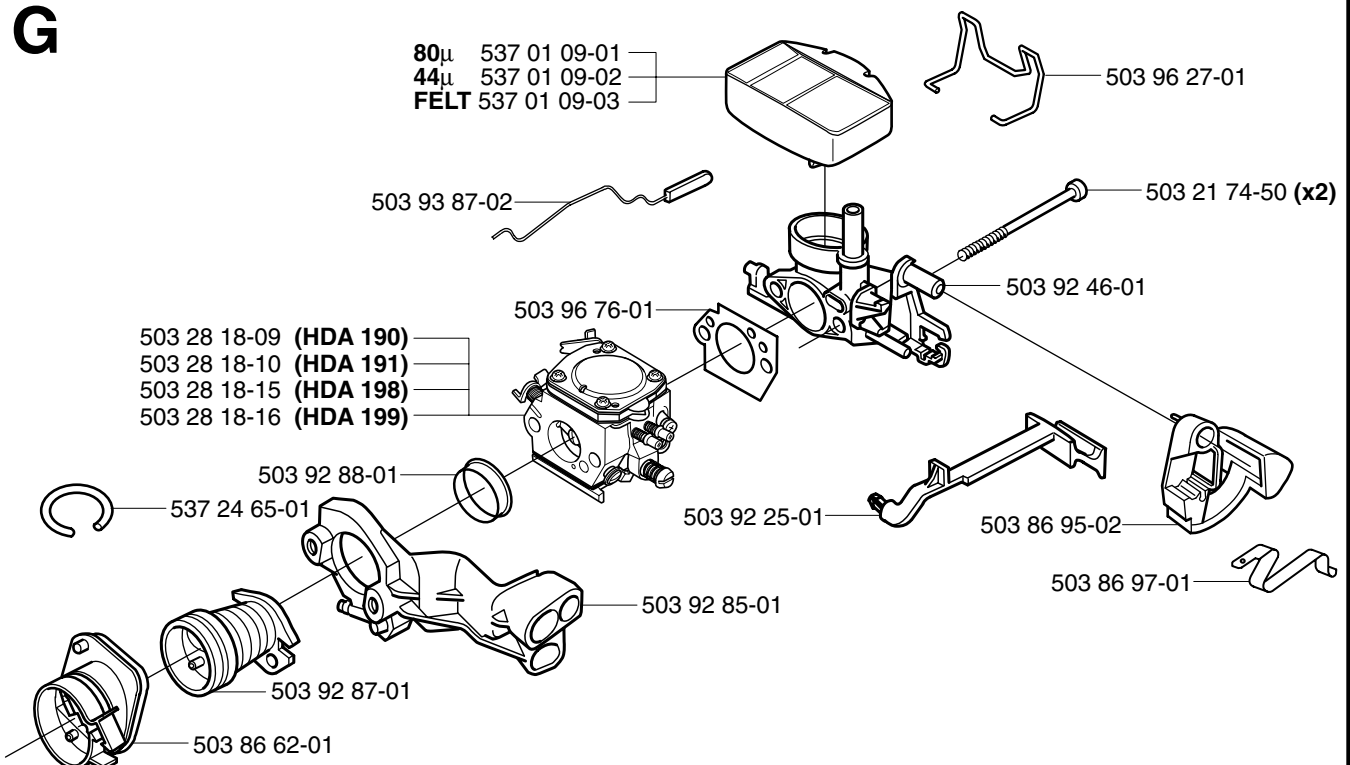
E *compl 537 15 68-01 (359)



F *compl 503 91 76-01 (EU)
**compl 503 91 75-01 (FF)

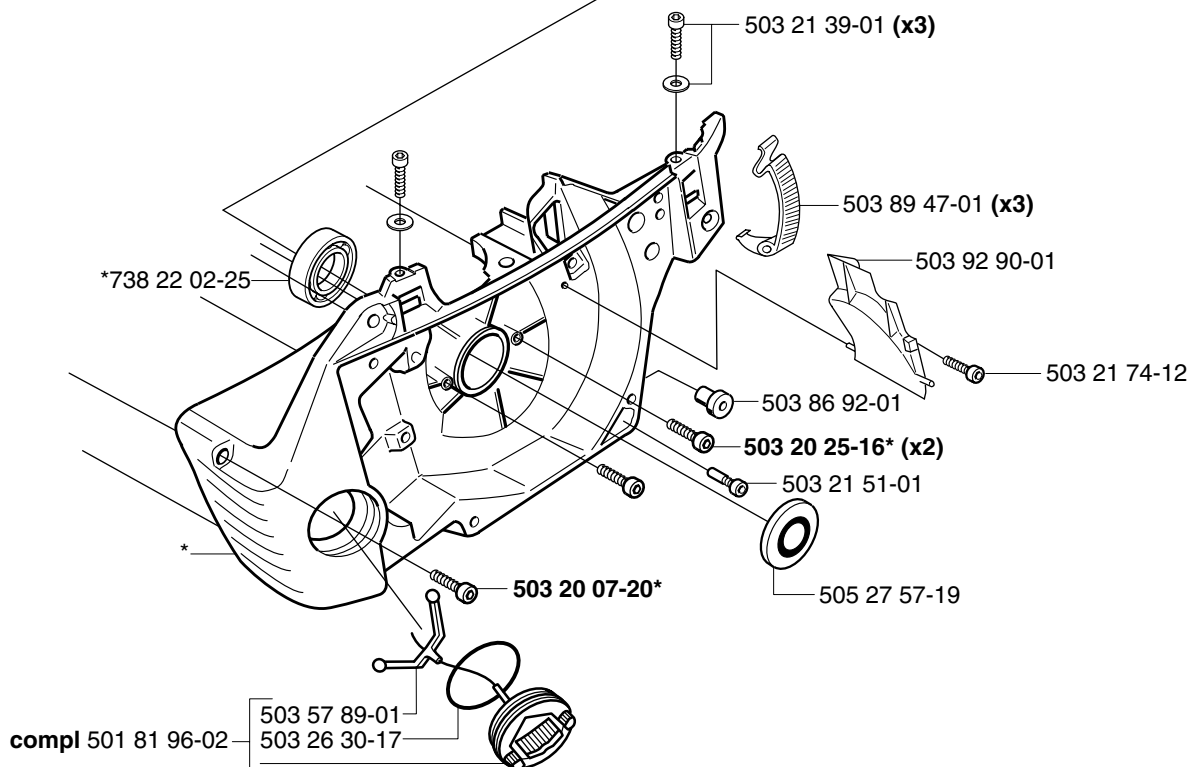
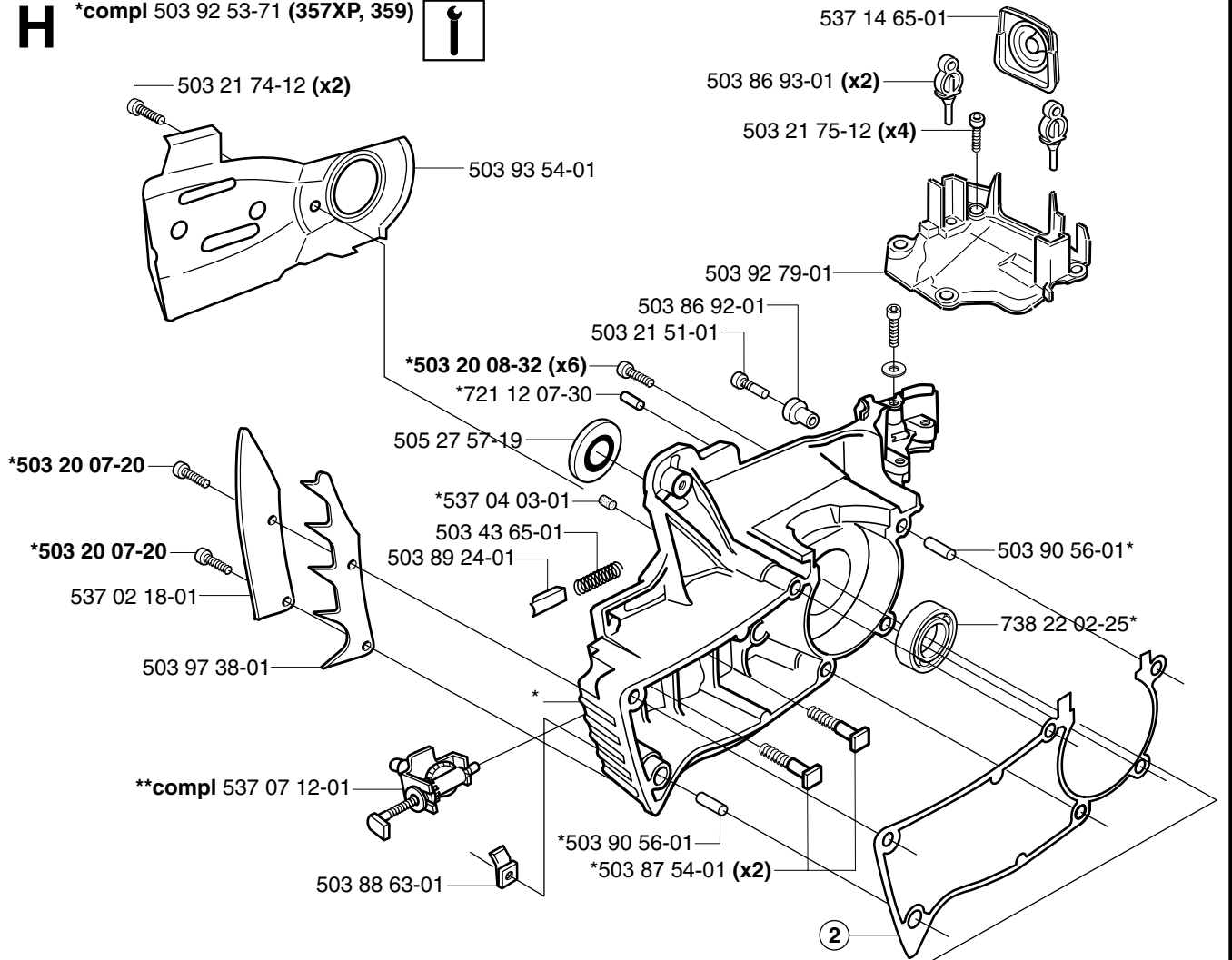


G



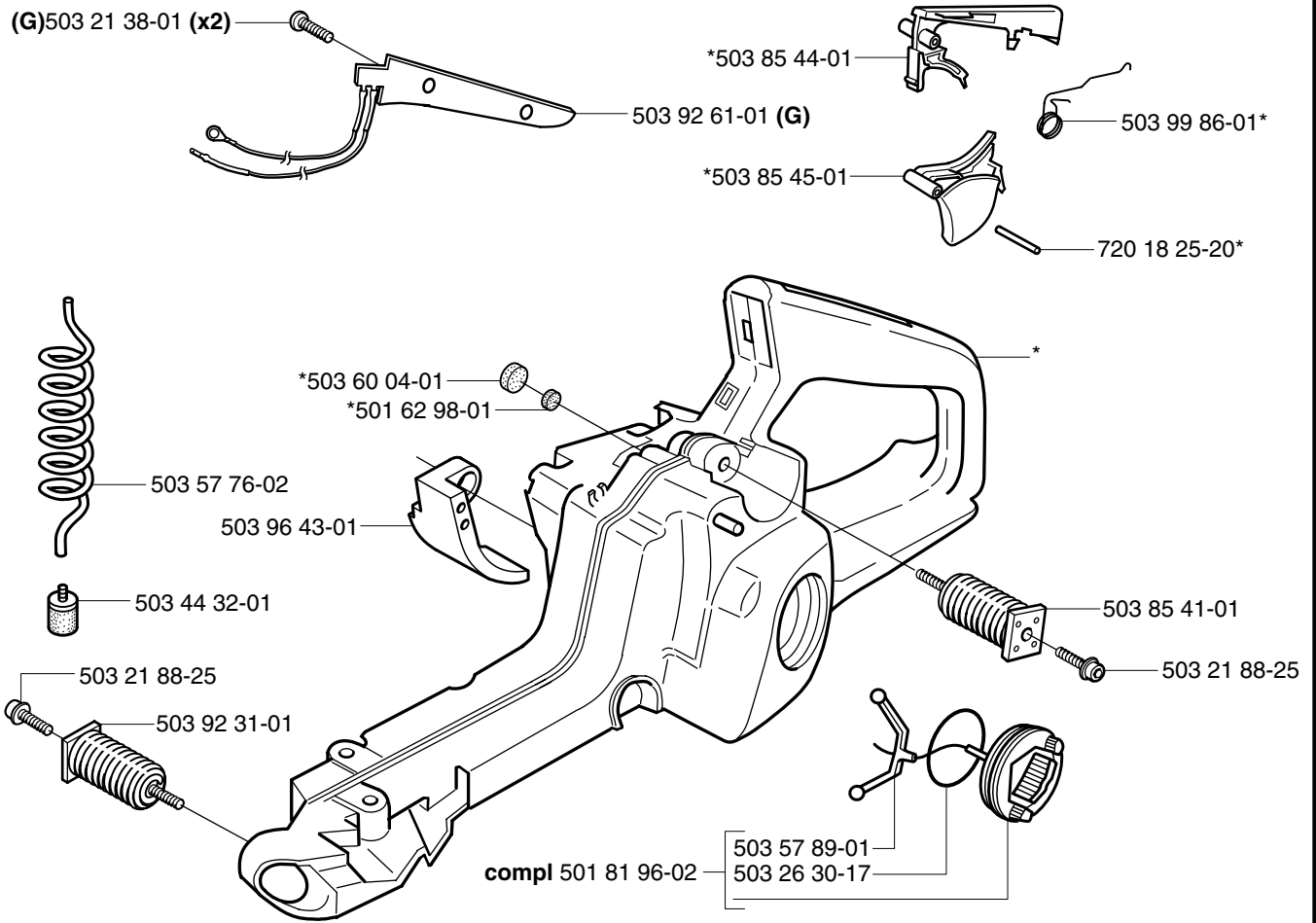
H

*compl 503 92 53-71 (357XP, 359)

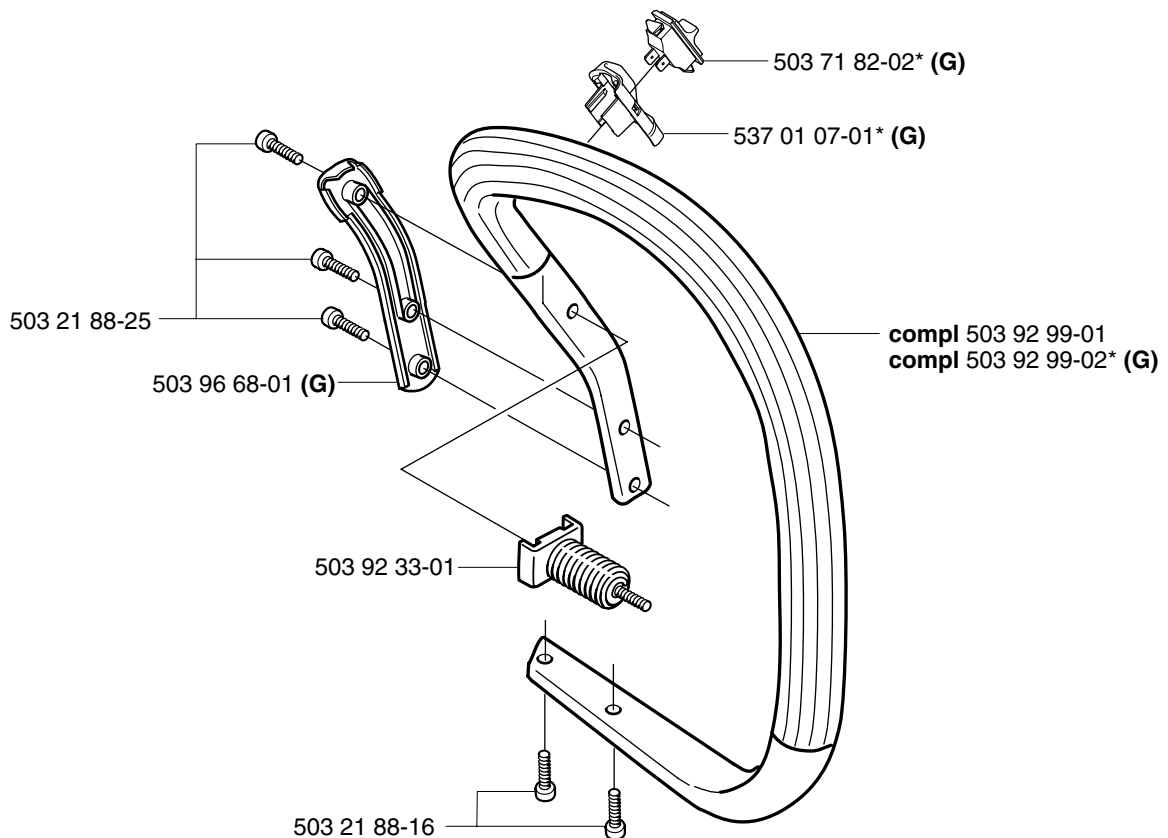


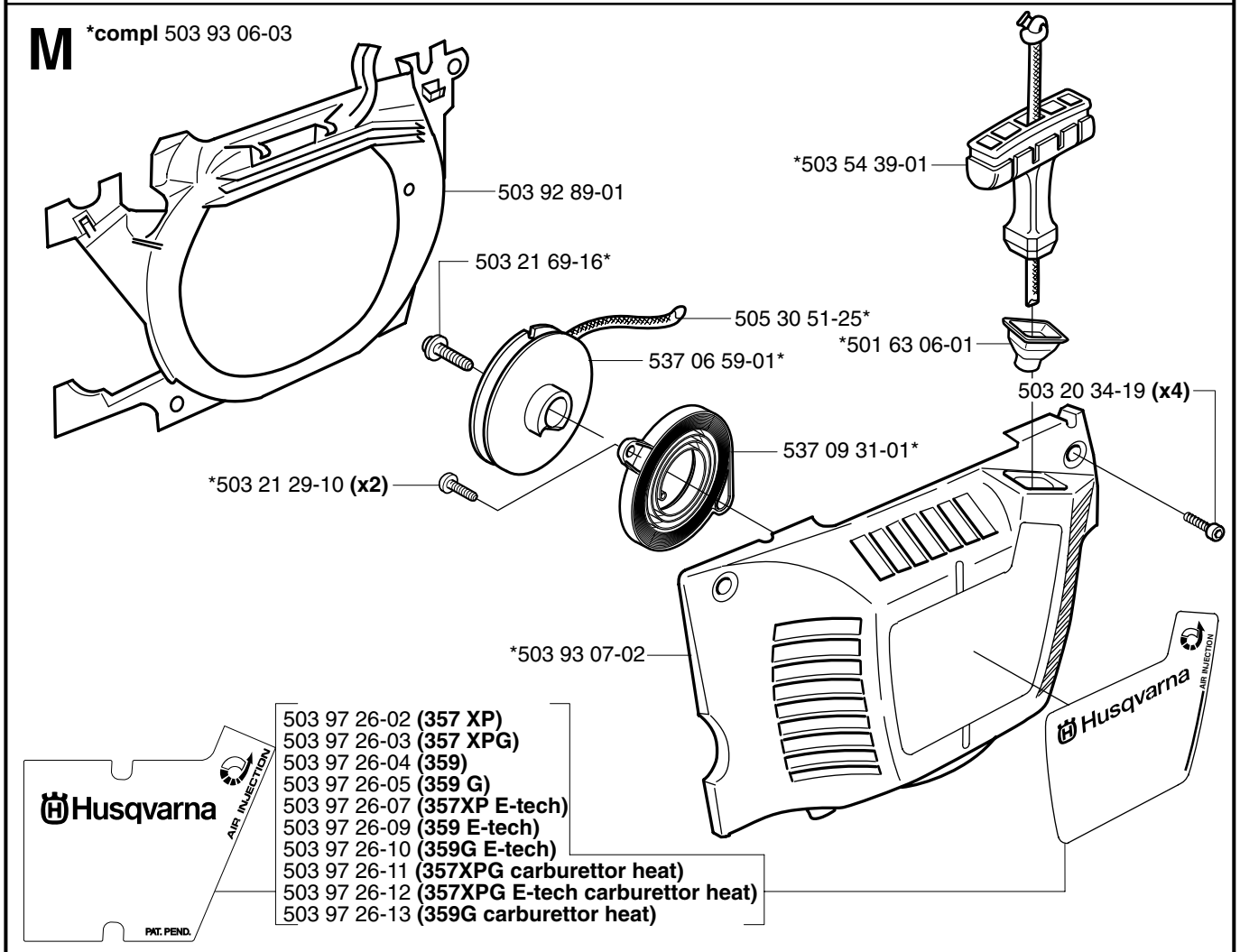
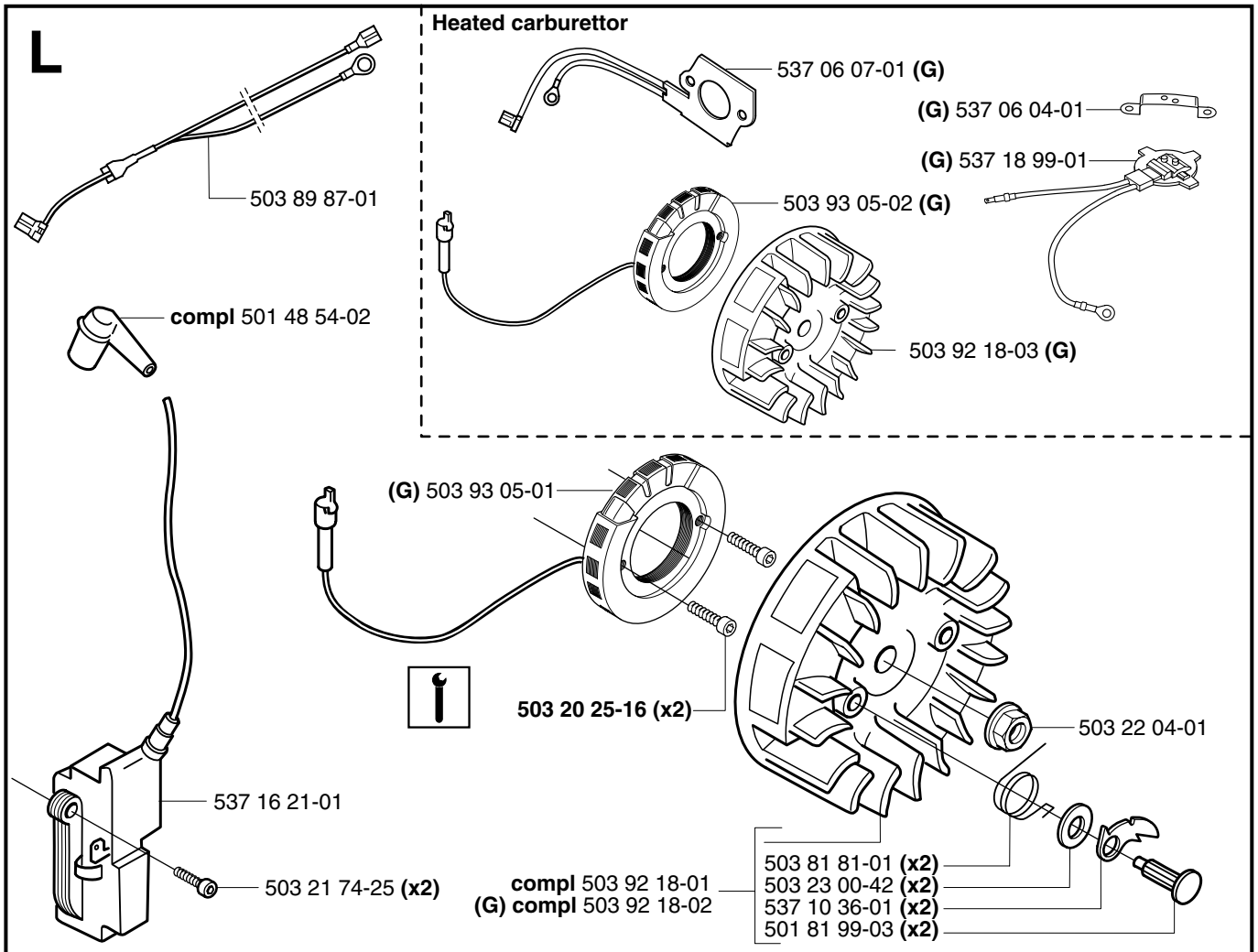
J

*compl 503 92 30-71



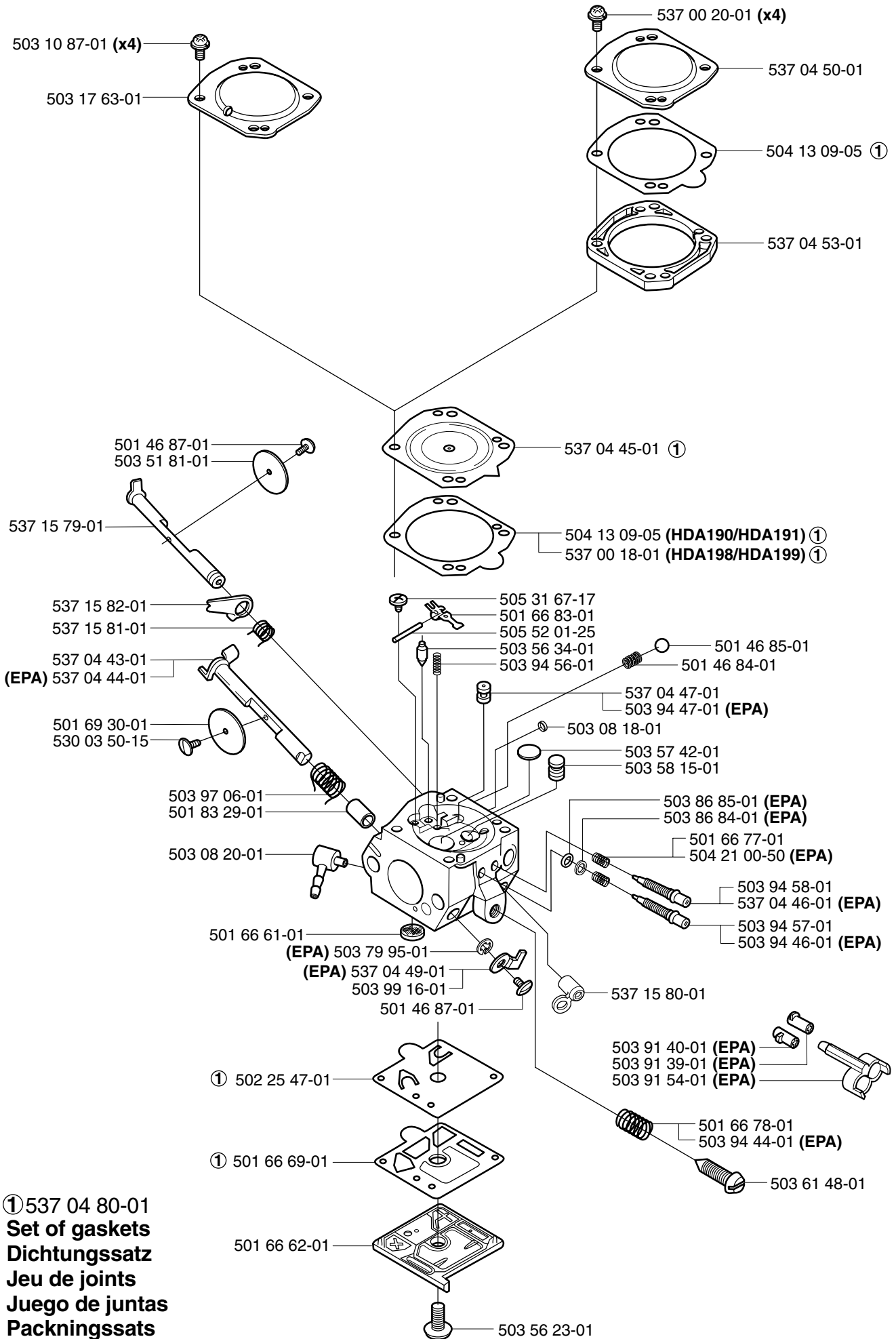
K





N compl 503 28 18-09 Walbro HDA 190 Heated
 compl 503 28 18-10 Walbro HDA 191 Heated (EPA)

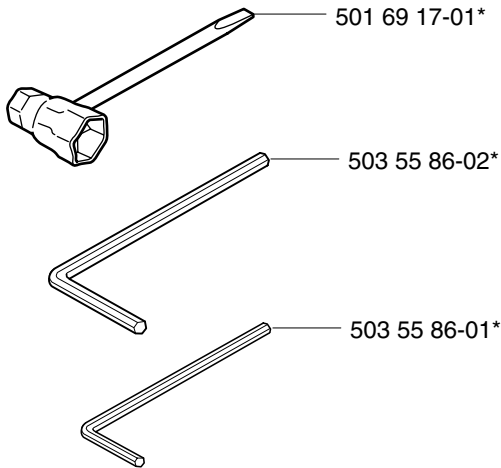
compl 503 28 18-15 Walbro HDA 198
 compl 503 28 18-16 Walbro HDA 199 (EPA)



① 537 04 80-01
Set of gaskets
Dichtungssatz
Jeu de joints
Juego de juntas
Packningssats

P Accessories
Zubehöre
Accessories
Accessories
Tillbehör

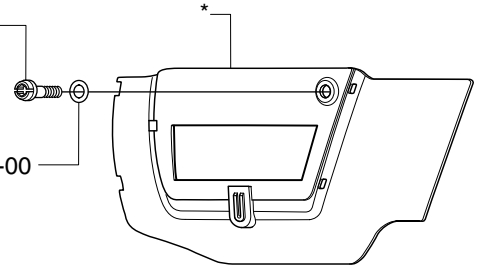
*compl 503 55 85-01



*compl 503 97 88-01 WINTER KIT

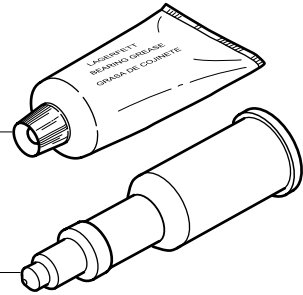
*503 21 70-16


*740 42 01-00



*503 62 12-01

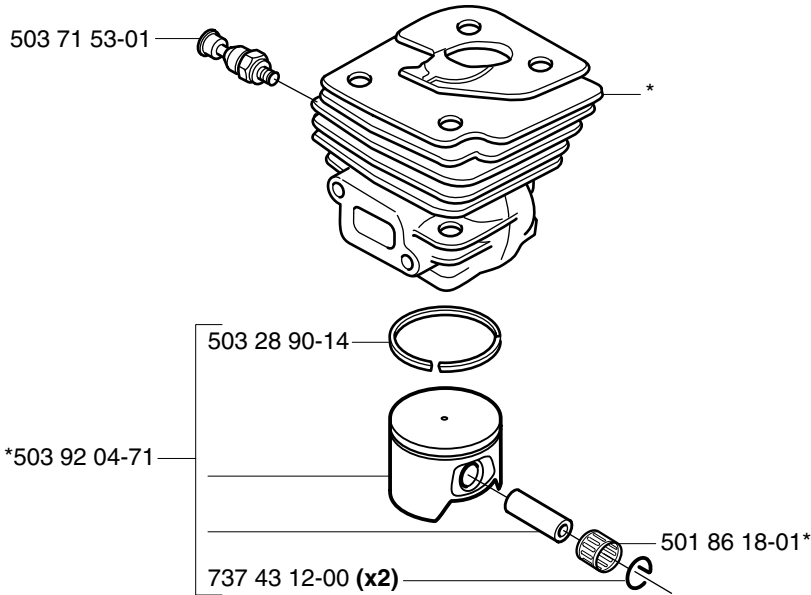
*501 91 14-01



Q 

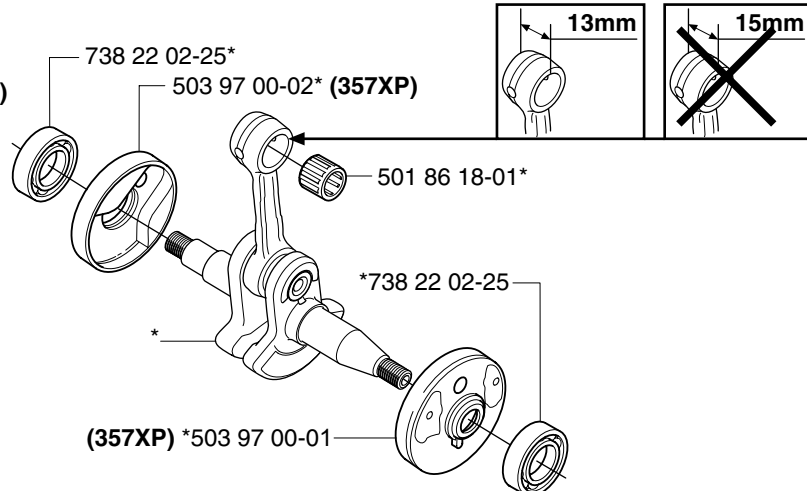
Up to 020700001 (357XP)

*compl 503 91 98-71 (357XP)





*compl 503 93 31-71 (357XP)

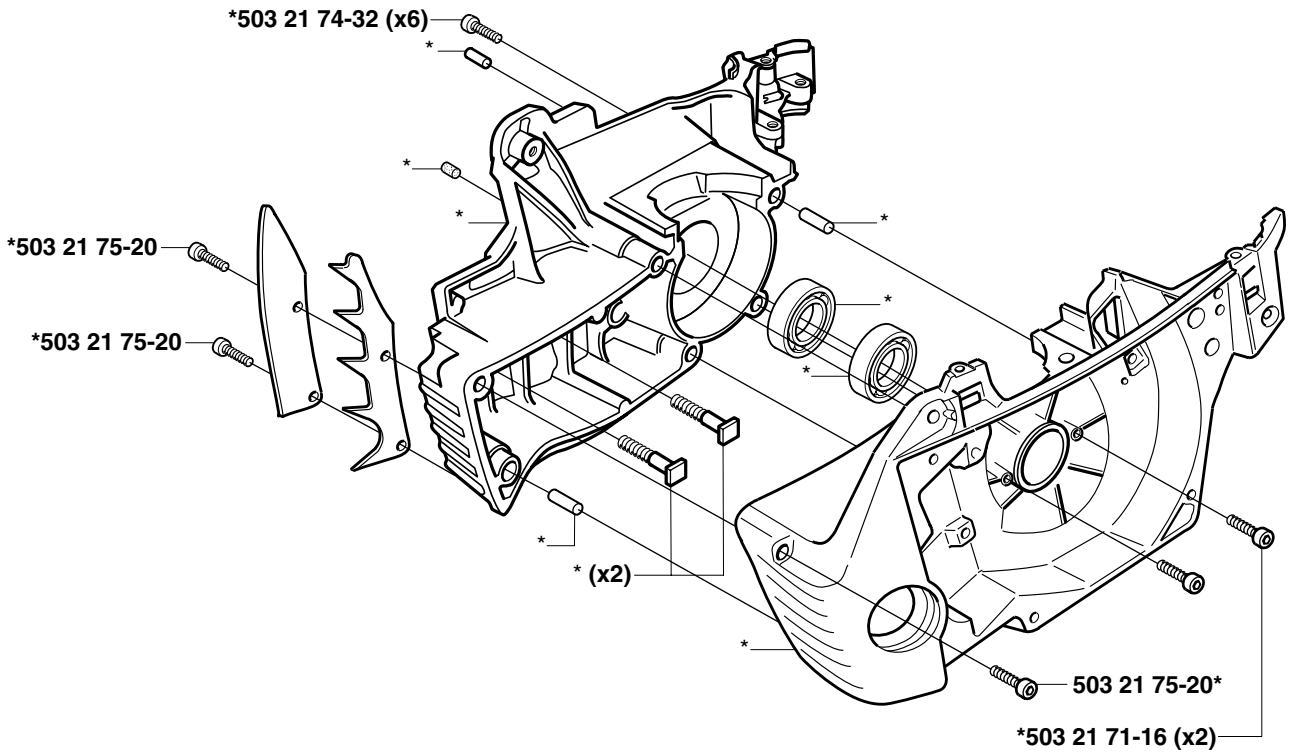


Q



Up to 030500001 (357XP)
Up to 030500048 (359)

*compl 503 92 53-71 (357XP, 359)



For Husqvarna Parts Call 606-678-9623 or 606-561-4983

PART NUMBER	SQUARE	NOTE	PART NUMBER	SQUARE	NOTE	PART NUMBER	SQUARE	NOTE
501 45 74-02	B		503 55 86-02	P		503 92 99-02	K	
501 46 84-01	N	N	503 56 23-01	N		503 93 05-01	L	
501 46 85-01	N	N	503 56 34-01	N		503 93 05-02	L	
501 46 87-01	N		503 57 42-01	N		503 93 06-03	M	N
501 48 54-02	L		503 57 76-02	J		503 93 07-02	M	
501 59 80-02	B		503 57 89-01	H,J		503 93 31-71	Q	
501 62 98-01	J	N	503 58 15-01	N		503 93 48-71	B	
501 63 06-01	M		503 60 04-01	J	N	503 93 54-01	H	
501 63 97-01	C		503 61 48-01	N		503 93 87-02	G	N
501 66 61-01	N		503 62 12-01	P		503 94 44-01	N	EPA
501 66 62-01	N		503 71 53-01	D,Q		503 94 46-01	N	EPA
501 66 69-01	N	1	503 71 82-02	K		503 94 47-01	N	EPA
501 66 77-01	N		503 79 95-01	N	EPA	503 94 56-01	N	
501 66 78-01	N		503 81 81-01	L		503 94 57-01	N	
501 66 83-01	N		503 84 59-01	C		503 94 58-01	N	
501 69 17-01	P		503 85 41-01	J		503 96 27-01	G	
501 69 30-01	N		503 85 44-01	J		503 96 43-01	J	
501 81 96-02	H,J		503 85 45-01	J		503 96 66-01	D	2
501 81 99-03	L		503 85 52-01	A		503 96 68-01	K	
501 83 29-01	N		503 85 66-01	A		503 96 75-01	B	
501 86 18-01	Q		503 86 36-01	F		503 96 76-01	G	
501 91 14-01	P		503 86 62-01	G		503 97 00-01	E,Q	
502 25 47-01	N	1	503 86 84-01	N	EPA	503 97 00-02	E,Q	
503 08 18-01	N		503 86 85-01	N	EPA	503 97 06-01	N	
503 08 20-01	N		503 86 92-01	H		503 97 26-02	M	
503 10 87-01	N		503 86 93-01	H		503 97 26-03	M	
503 17 63-01	N		503 86 95-02	G		503 97 26-04	M	
503 20 07-10	F	N	503 86 97-01	G		503 97 26-05	M	
503 20 07-20	F,H	N	503 88 63-01	H	N	503 97 26-07	M	N
503 20 08-32	H	N	503 89 08-02	A		503 97 26-09	M	N
503 20 25-16	H,L	N	503 89 15-01	B		503 97 26-10	M	N
503 20 34-19	M		503 89 16-01	B		503 97 26-11	M	N
503 21 29-10	M		503 89 24-01	H		503 97 26-12	M	N
503 21 38-01	J	N	503 89 29-01	A		503 97 26-13	M	N
503 21 39-01	H		503 89 30-02	A		503 97 38-01	H	
503 21 51-01	H		503 89 47-01	H		503 97 85-01		Compl=2
503 21 69-16	M		503 89 64-01	A		503 97 88-01	P	
503 21 70-10	A		503 89 87-01	L		503 98 00-71	B	
503 21 70-16	P		503 90 56-01	H		503 98 74-01	C	
503 21 71-16	Q		503 91 27-02	B		503 99 16-01	N	
503 21 74-12	B,H		503 91 29-02	B		503 99 86-01	J	
503 21 74-25	L		503 91 39-01	N	EPA	504 13 09-05	N	1
503 21 74-32	Q		503 91 40-01	N	EPA	504 21 00-50	N	EPA
503 21 74-50	G		503 91 54-01	N	EPA	505 27 57-19	H	
503 21 75-12	H		503 91 65-01	D		505 30 51-25	M	
503 21 75-20	Q		503 91 66-01	D	2	505 31 67-17	N	
503 21 88-16	K		503 91 74-01	F		505 52 01-25	N	
503 21 88-25	J,K		503 91 75-01	F		530 03 50-15	N	
503 22 00-01	A		503 91 76-01	F		537 00 18-01	N	1
503 22 04-01	L		503 91 98-71	Q		537 00 20-01	N	
503 23 00-42	L		503 92 04-71	Q		537 01 07-01	K	
503 23 00-60	B		503 92 18-01	L		537 01 09-01	G	
503 23 51-08	D		503 92 18-02	L		537 01 09-02	G	
503 25 52-01	B		503 92 18-03	L		537 01 09-03	G	
503 25 56-01	D,E		503 92 25-01	G		537 02 18-01	H	
503 26 30-17	H,J		503 92 30-71	J		537 02 26-01	D	
503 28 18-09	G,N	N	503 92 31-01	J		537 02 71-01	B	
503 28 18-10	G,N	EPA, N	503 92 33-01	K		537 02 99-01	A	
503 28 18-15	G,N	N	503 92 46-01	G		537 04 03-01	H	
503 28 18-16	G,N	EPA, N	503 92 53-71	H,Q		537 04 30-01	A	
503 28 90-14	D,Q		503 92 61-01	J		537 04 43-01	N	
503 28 90-29	D		503 92 79-01	H		537 04 44-01	N	EPA
503 43 65-01	H		503 92 80-02	C		537 04 45-01	N	1
503 44 32-01	J		503 92 85-01	G		537 04 46-01	N	EPA
503 46 59-01	A		503 92 87-01	G		537 04 47-01	N	
503 51 81-01	N		503 92 88-01	G		537 04 49-01	N	EPA
503 54 39-01	M		503 92 89-01	M		537 04 50-01	N	
503 55 22-01	D	N	503 92 90-01	H		537 04 53-01	N	
503 55 85-01	P		503 92 95-01	A		537 04 80-01	N	Compl=1
503 55 86-01	P		503 92 99-01	K		537 06 04-01	L	
537 06 07-01	L					537 06 07-01	L	
537 06 59-01	M					537 06 59-01	M	
537 06 93-01	B					537 06 93-01	B	
537 07 12-01	H					537 07 12-01	H	
537 08 90-01	A					537 08 90-01	A	
537 09 18-01	B					537 09 18-01	B	
537 09 31-01	M					537 09 31-01	M	
537 09 61-01	D	N				537 09 61-01	D	N
537 10 11-01	B					537 10 11-01	B	
537 10 34-01	B					537 10 34-01	B	
537 10 36-01	L					537 10 36-01	L	
537 10 55-02	B					537 10 55-02	B	
537 10 78-01	A					537 10 78-01	A	
537 10 80-01	A					537 10 80-01	A	
537 11 32-03	D	N				537 11 32-03	D	N
537 12 68-03	D	N				537 12 68-03	D	N
537 14 65-01	H	N				537 14 65-01	H	N
537 15 27-01	A					537 15 27-01	A	
537 15 68-01	E					537 15 68-01	E	
537 15 72-02	D					537 15 72-02	D	
537 15 73-02	D					537 15 73-02	D	
537 15 79-01	N	N				537 15 79-01	N	N
537 15 80-01	N	N				537 15 80-01	N	N
537 15 81-01	N	N				537 15 81-01	N	N
537 15 82-01	N	N				537 15 82-01	N	N
537 15 93-02	A					537 15 93-02	A	
537 16 21-01	L					537 16 21-01	L	
537 16 69-01	B					537 16 69-01	B	
537 18 00-01	D	N				537 18 00-01	D	N
537 18 99-01	L					537 18 99-01	L	
537 21 92-01	E	N				537 21 92-01	E	N
537 21 96-02	D	N				537 21 96-02	D	N
537 22 29-01	D	N				537 22 29-01	D	N
537 24 45-01	D	N				537 24 45-01	D	N
537 24 65-01	G	N				537 24 65-01	G	N
537 24 85-02	D	N				537 24 85-02	D	N
720 18 25-20	J					720 18 25-20	J	
721 11 64-30	B					721 11 64-30	B	
721 12 07-30	H					721 12 07-30	H	
724 12 87-59	F					724 12 87-59	F	
725 53 33-55	D					725 53 33-55	D	
725 53 68-55	F					725 53 68-55	F	
735 31 08-20	A					735 31 08-20	A	
737 43 12-00	D,Q					737 43 12-00	D,Q	
738 22 02-25	E,H,Q					738 22 02-25	E,H,Q	
740 42 01-00	P					740 42 01-00	P	

1 = 537 04 80-01
2 = 503 97 85-01

Set of gaskets, Dichtungssatz,
Jeu de joints, Juego de juntas,
Packningssats

N = New part, Neues teil,
Nouvelle piece, Nueva pieza
Ny detalj

EPA = Environmental Protection Agency
(for USA only)