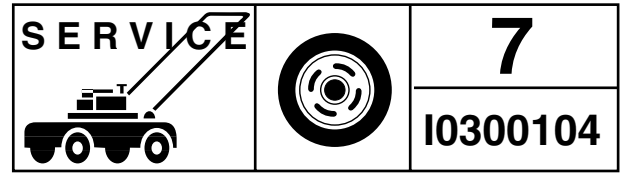


For Husqvarna Parts Call 606-678-9623 or 606-561-4983



IPL, Rider 15V2, 2003-01, 106 30 69-61

Rider 15V2

Spare parts

Ersatzteile

Pièces détachées

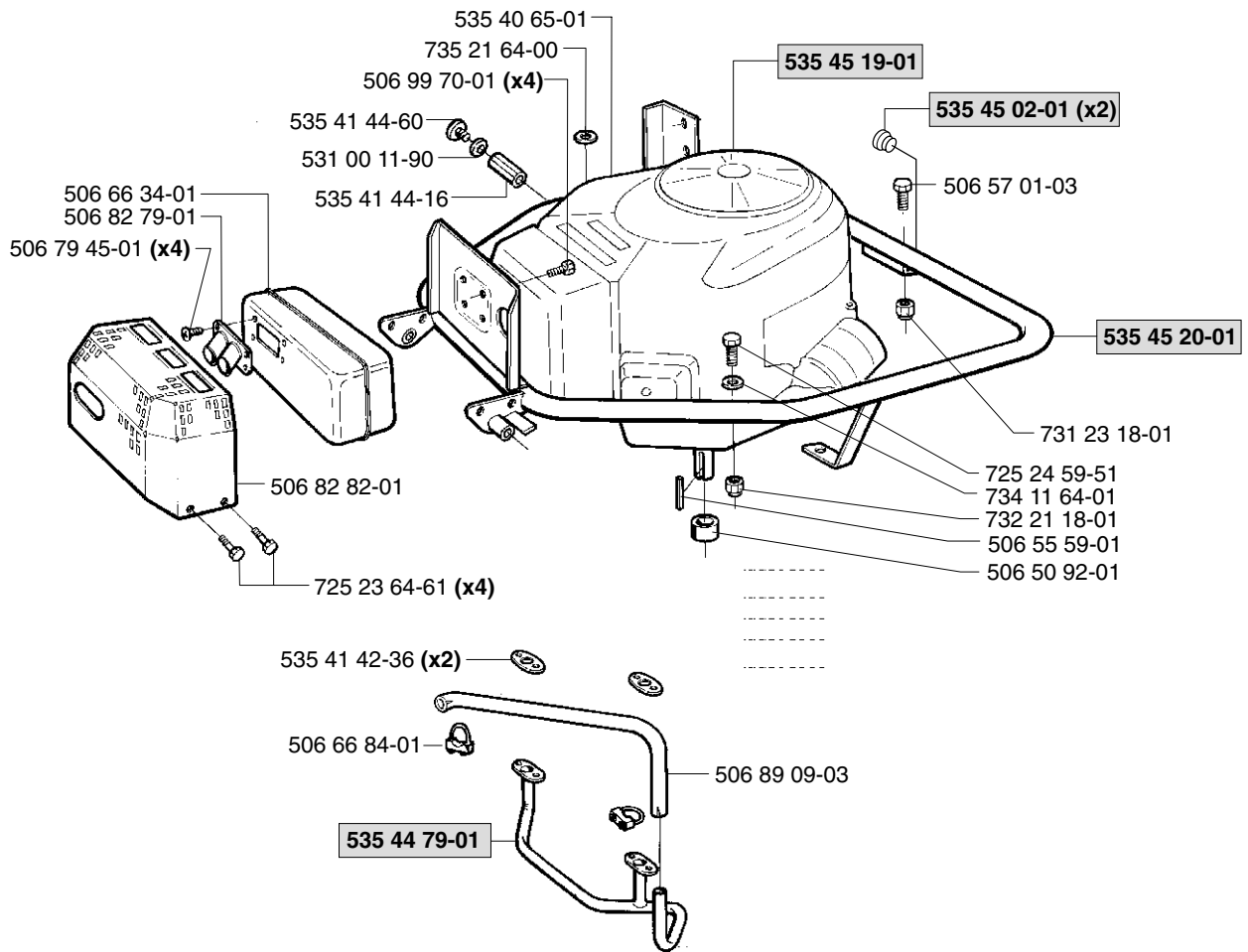
Reserve onderdelen

Repuestos

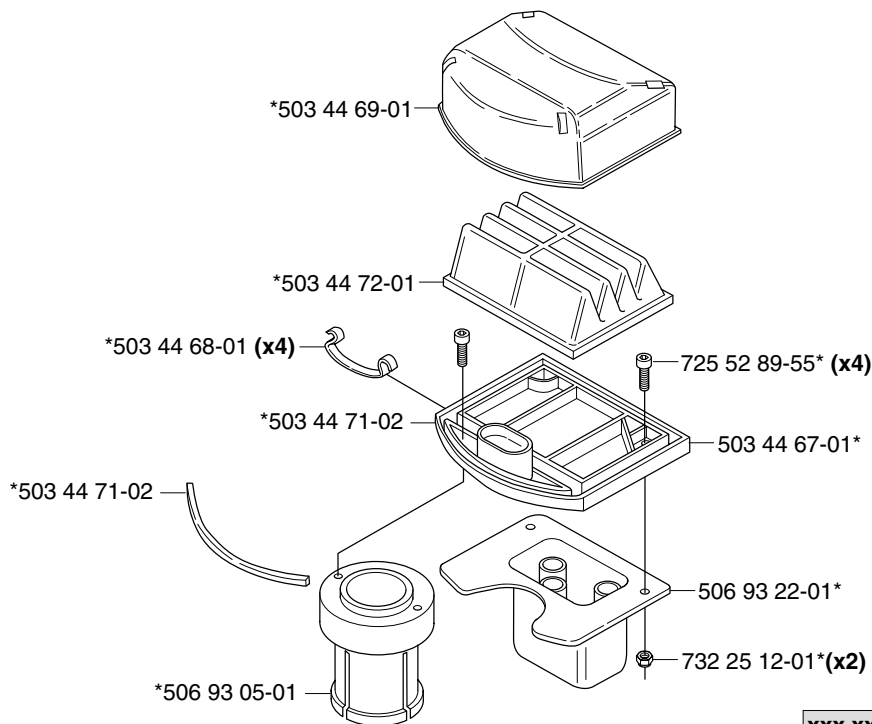
Reservdelar

106 30 69-61

C Kawasaki FH430V

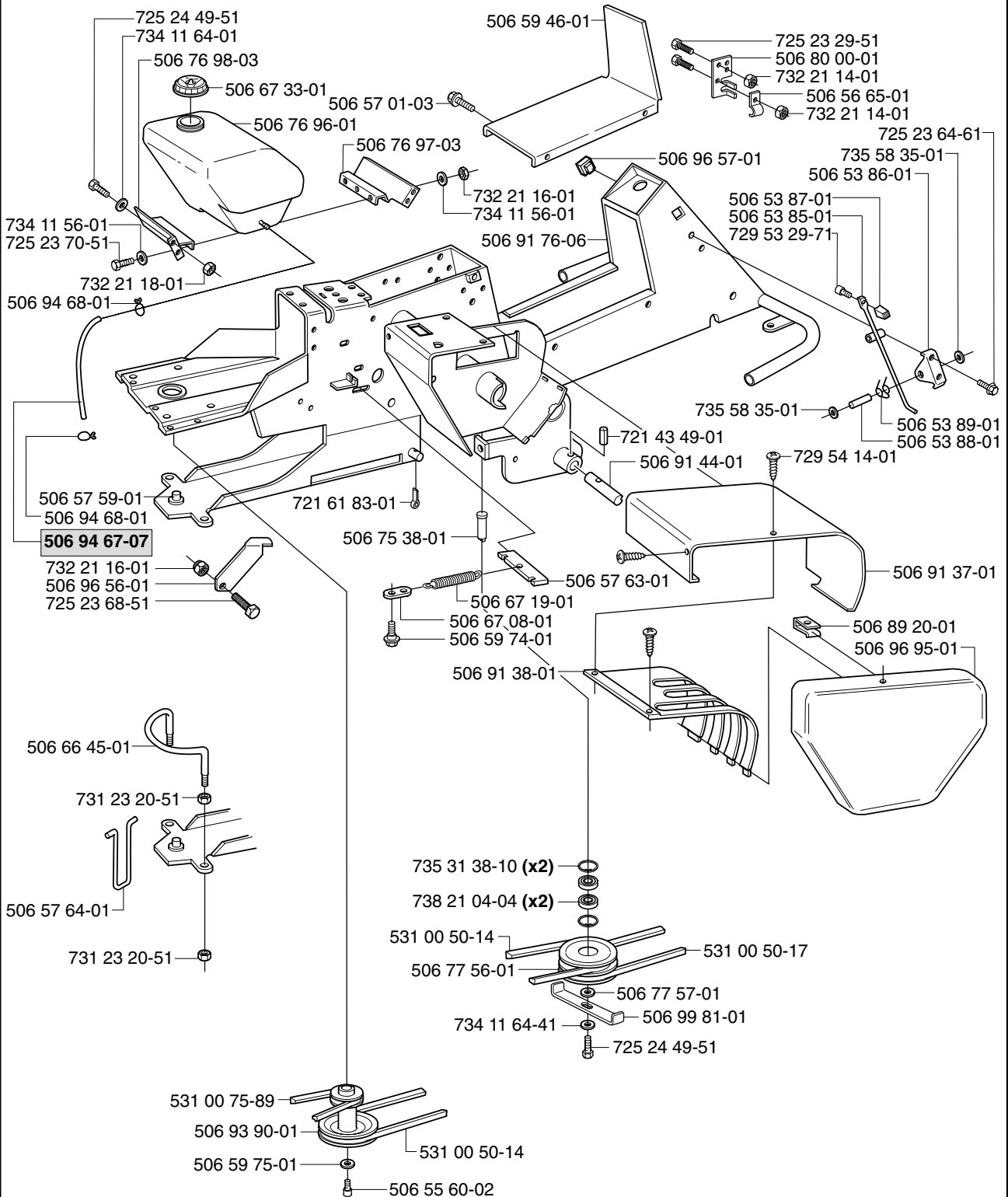


D *compl 506 93 24-01



xxx xx xx-xx = New part,
Neues teil,
Nouvelle piece,
Nueva pieza,
Ny detalj

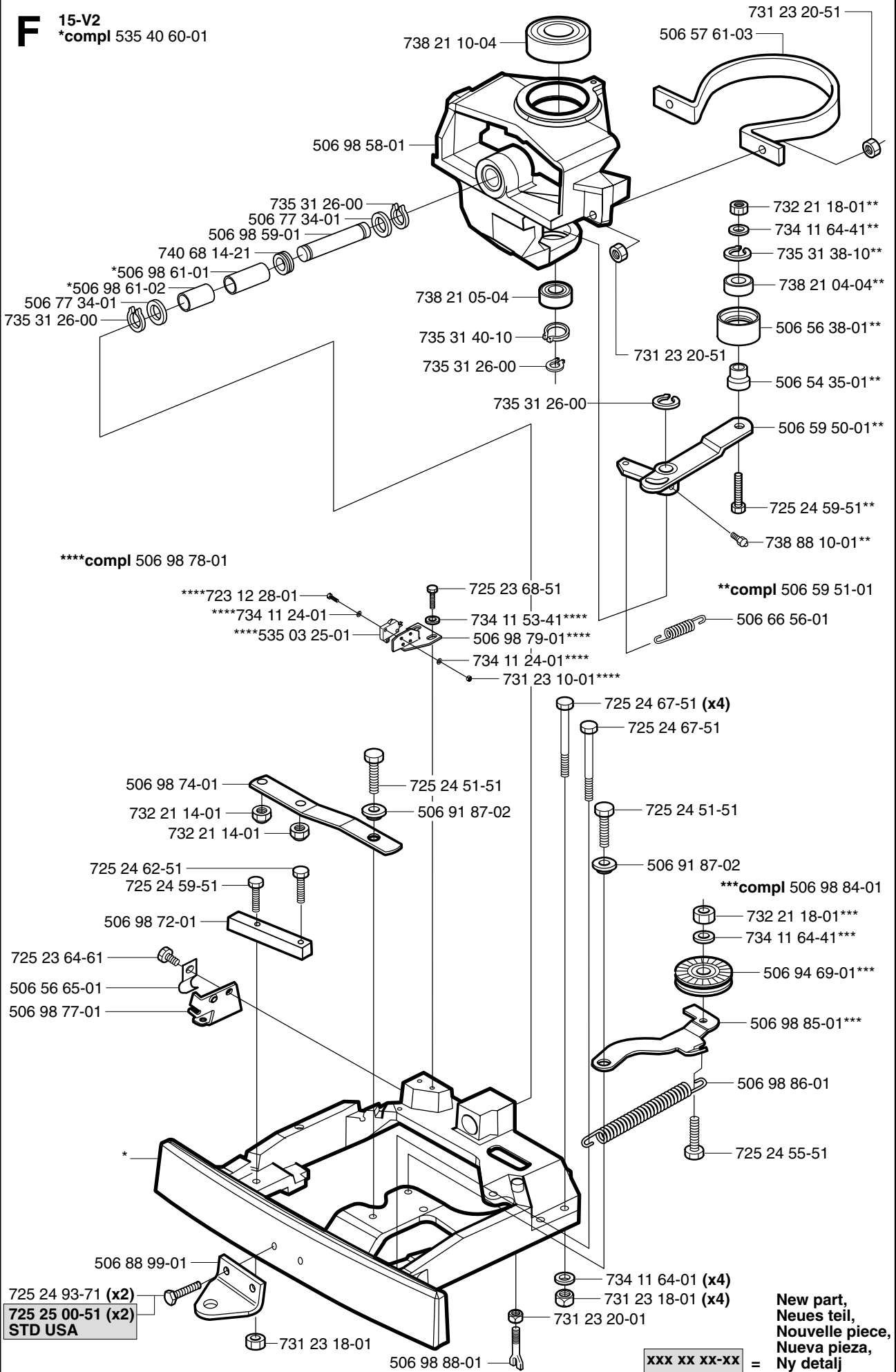
E



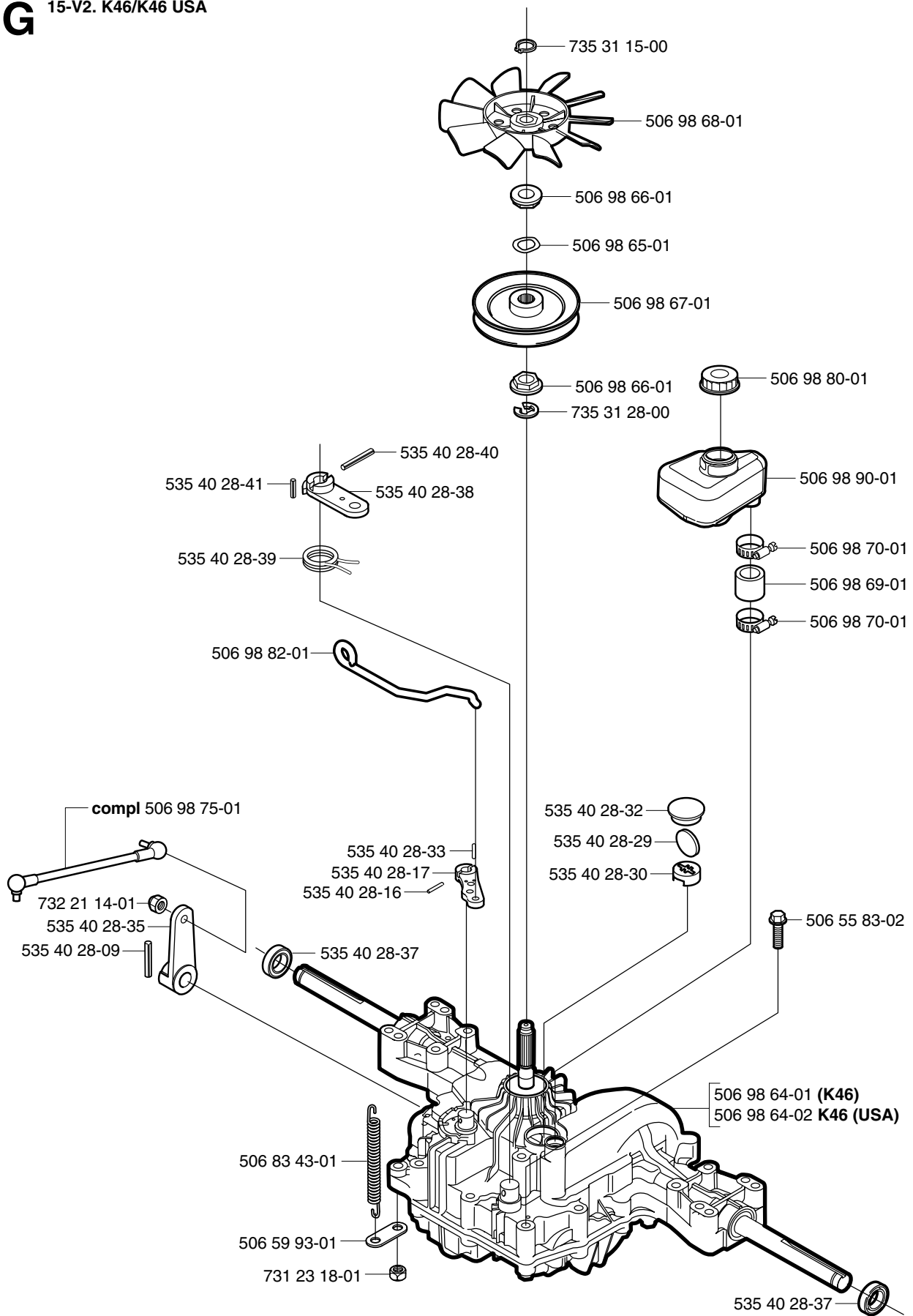
New part,
Neues teil,
Nouvelle piece,
Nueva pieza,
Ny detalj

xxx xx xx-xx =

F 15-V2
*compl 535 40 60-01



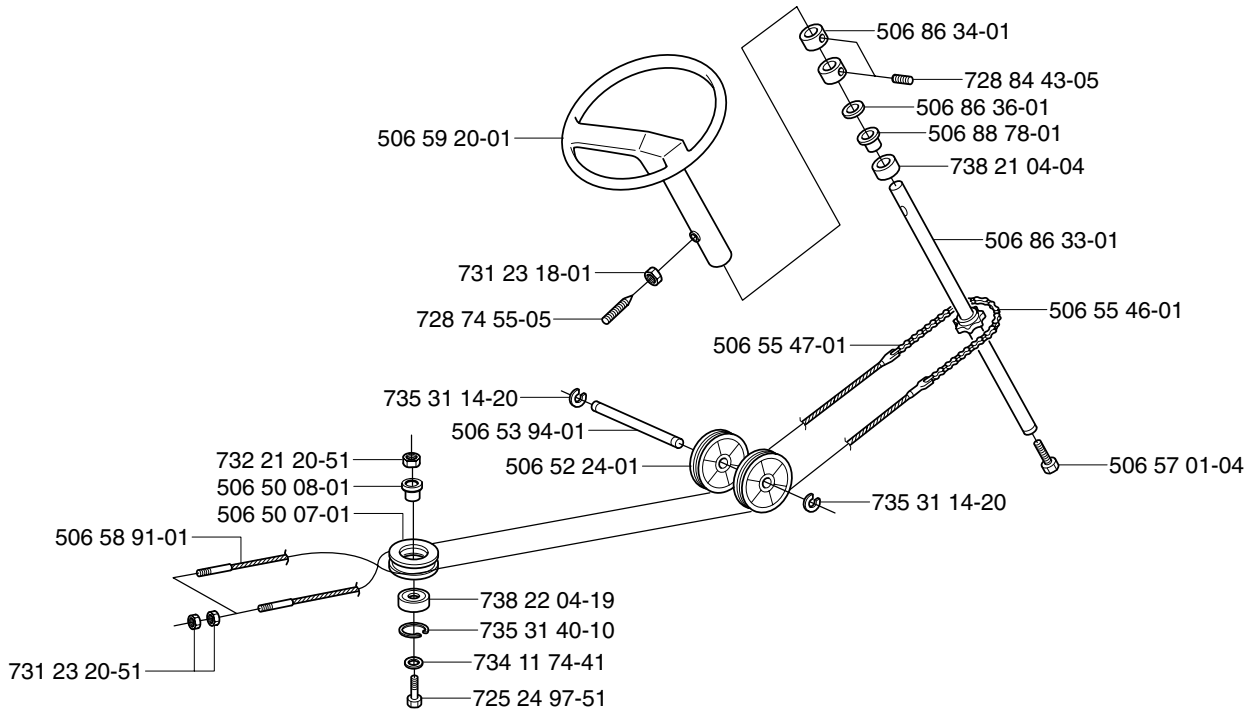
G 15-V2. K46/K46 USA



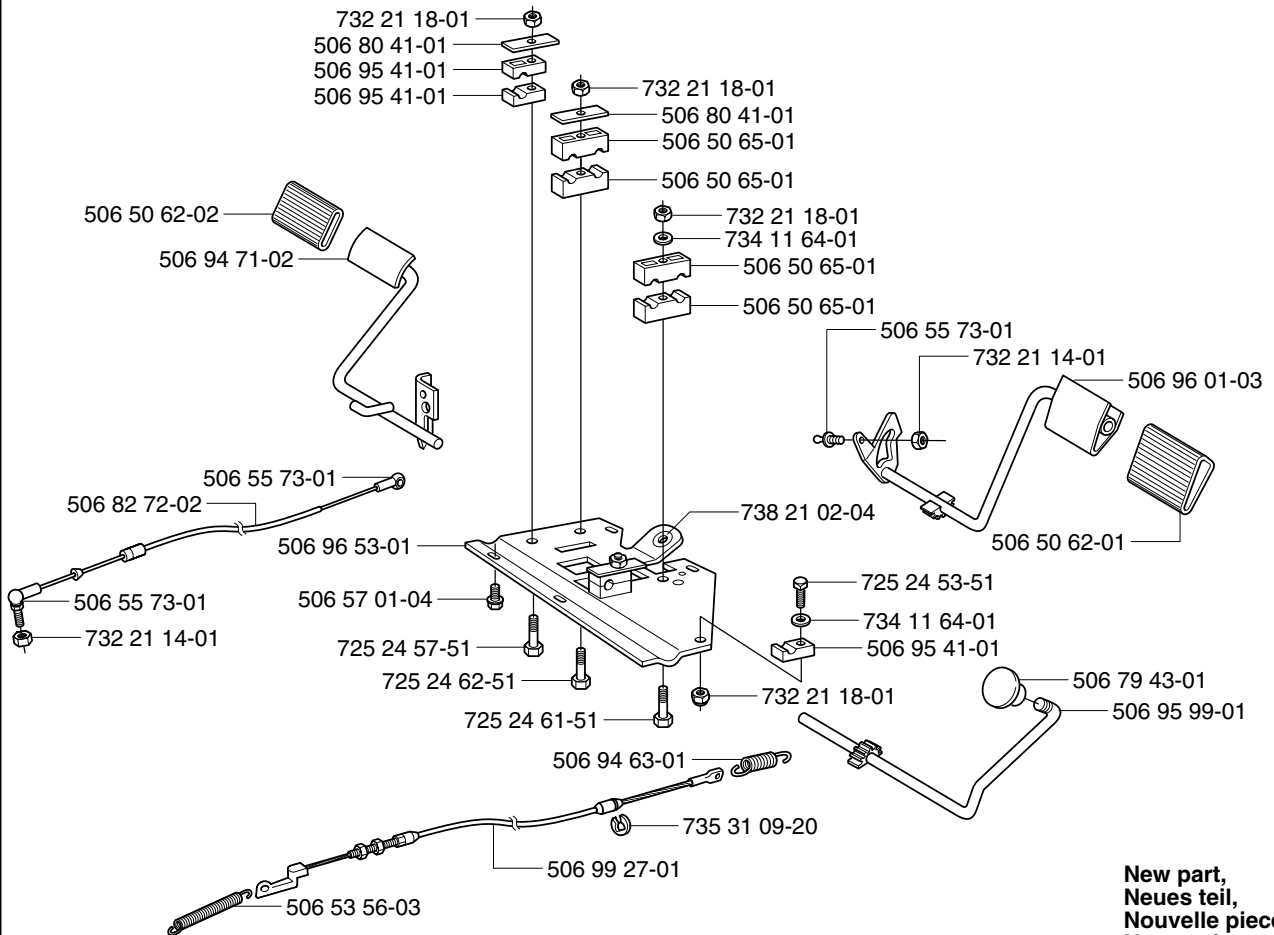
New part,
Neues teil,
Nouvelle piece,
Nueva pieza,
Ny detalj

xxx xx xx-xx =

H



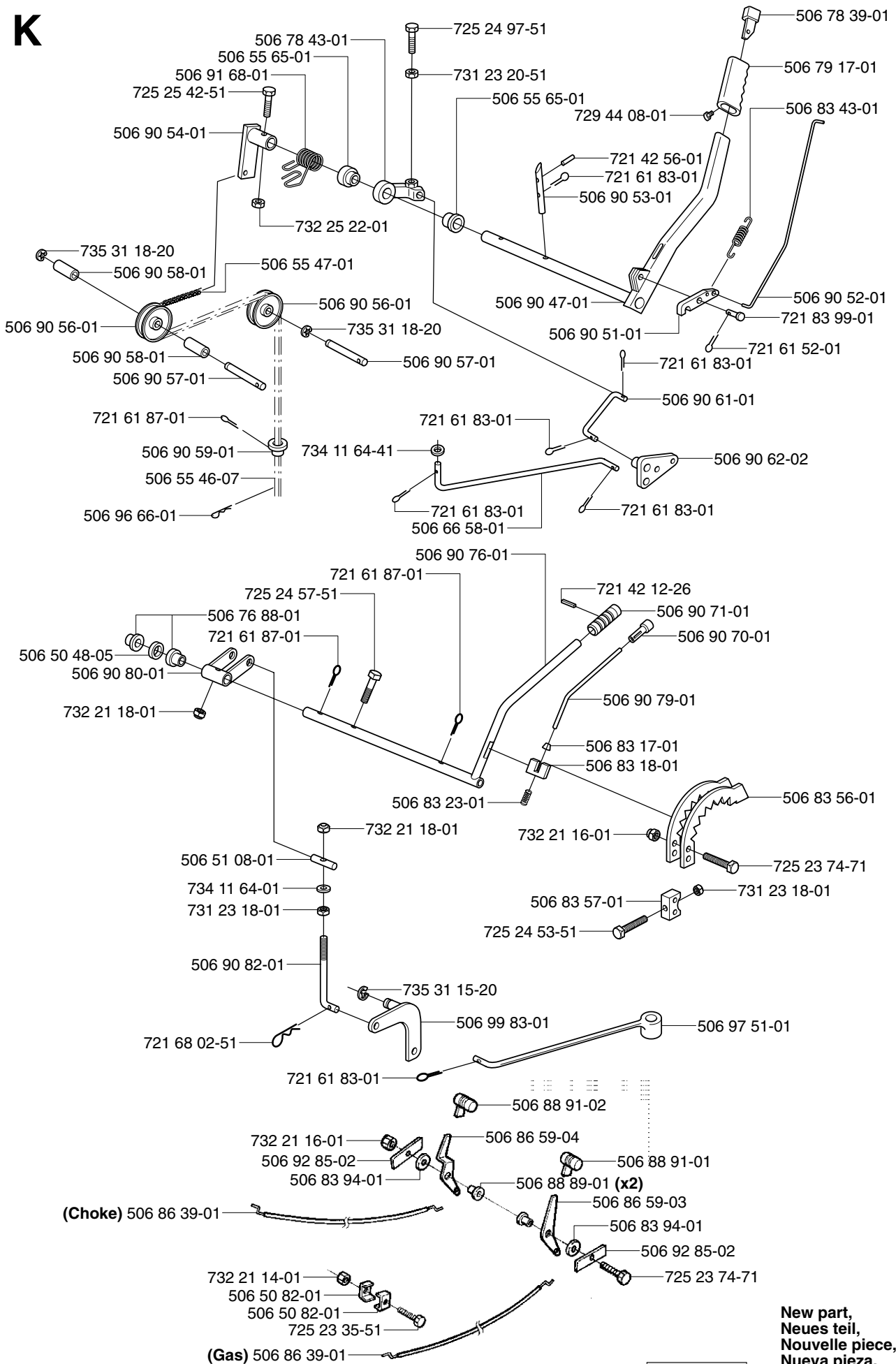
J



**New part,
Neues teil,
Nouvelle piece,
Nueva pieza,
Ny detalj**

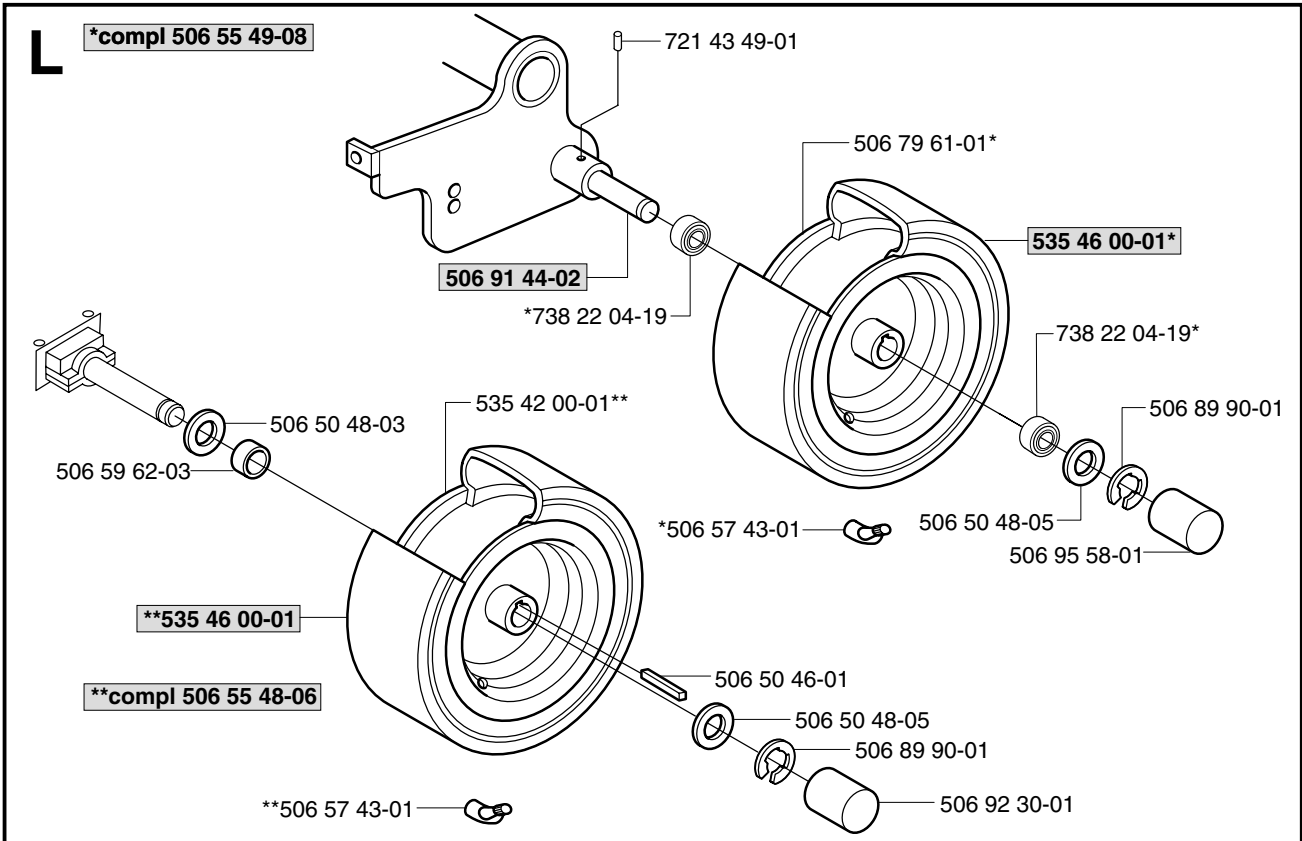
xxx xx xx-xx =

K



New part,
Neues teil,
Nouvelle piece,
Nueva pieza,
Ny detalj

xxx xx xx-xx =



M USA

Start/Warning 506 94 92-01

Side discharge 506 81 80-01

Import decal 506 98 39-01

Side discharge 506 88 18-01

CPSC 506 67 62-01

Standard decal 506 88 07-02

535 41 52-01

506 78 97-01

506 94 47-01

EC 535 43 20-01

Warning 506 94 48-01

506 99 96-01

506 84 28-01

506 84 28-03

506 91 57-01

506 58 45-01

535 45 00-01

535 44 98-01

535 44 99-01

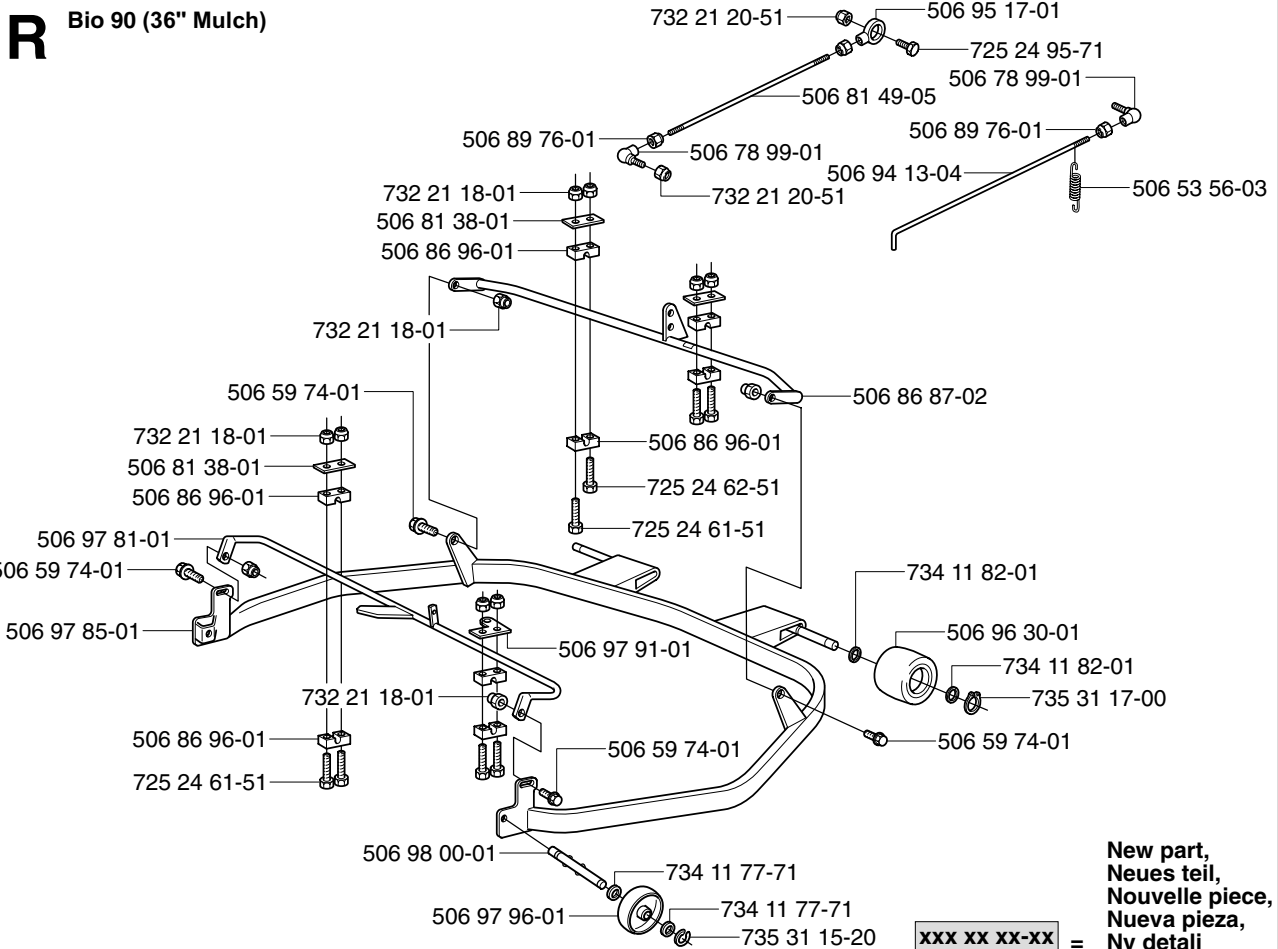
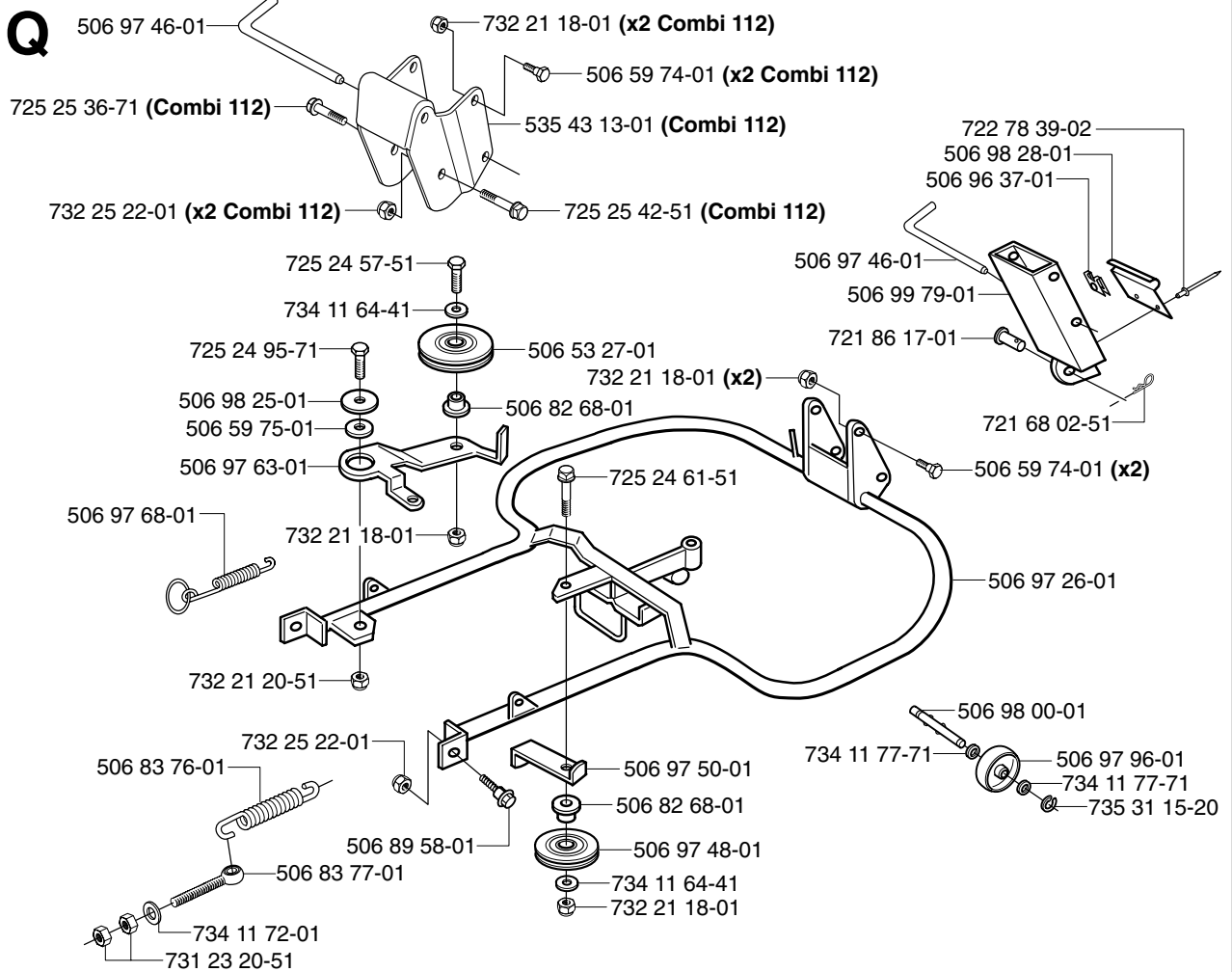
535 45 01-01 (x2)

Husqvarna Husqvarna

535 45 41-01 **Rider 15-V2** 535 45 41-02

New part, Neues teil, Nouvelle piece, Nueva pieza, Ny detalj

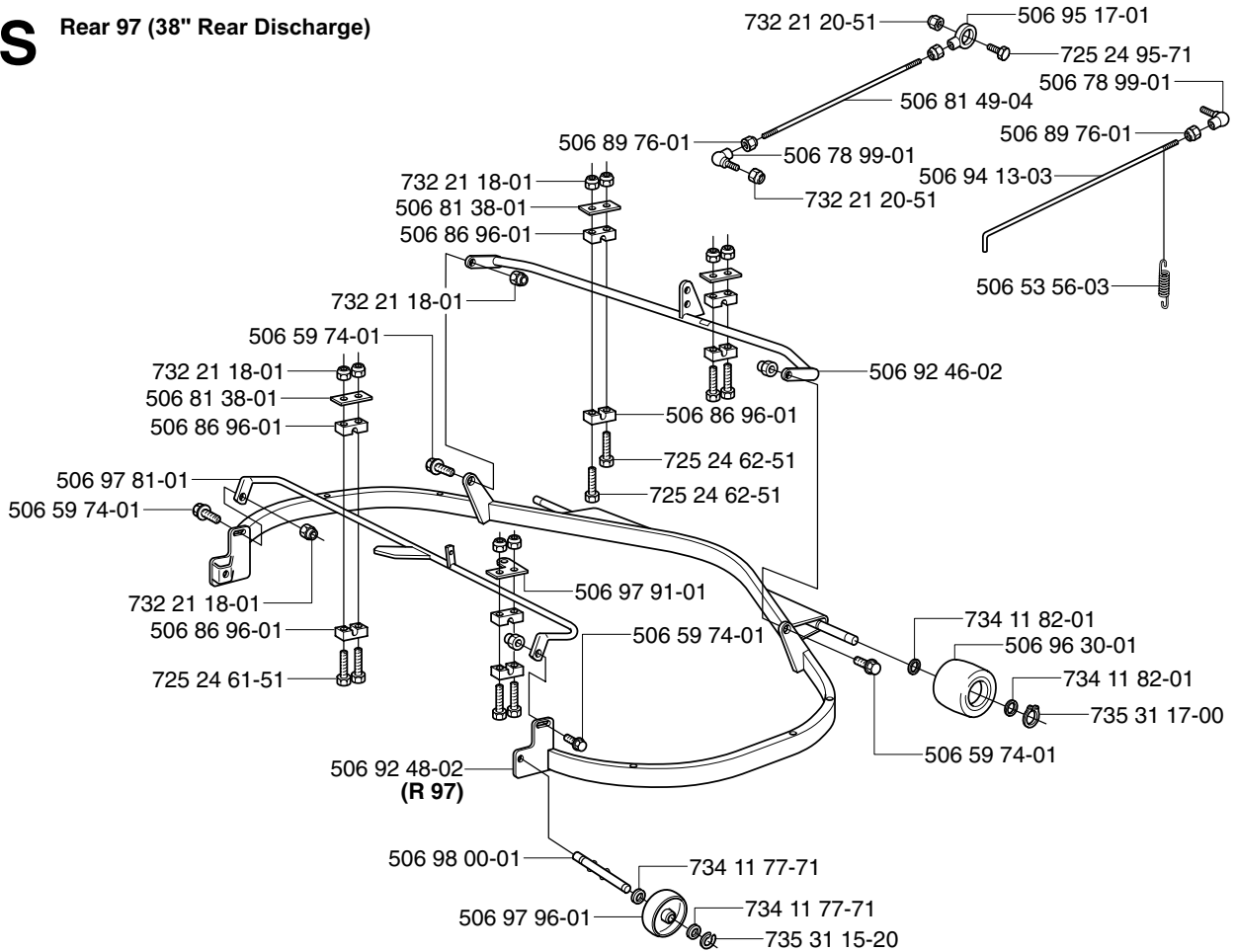
xxx xx xx-xx =



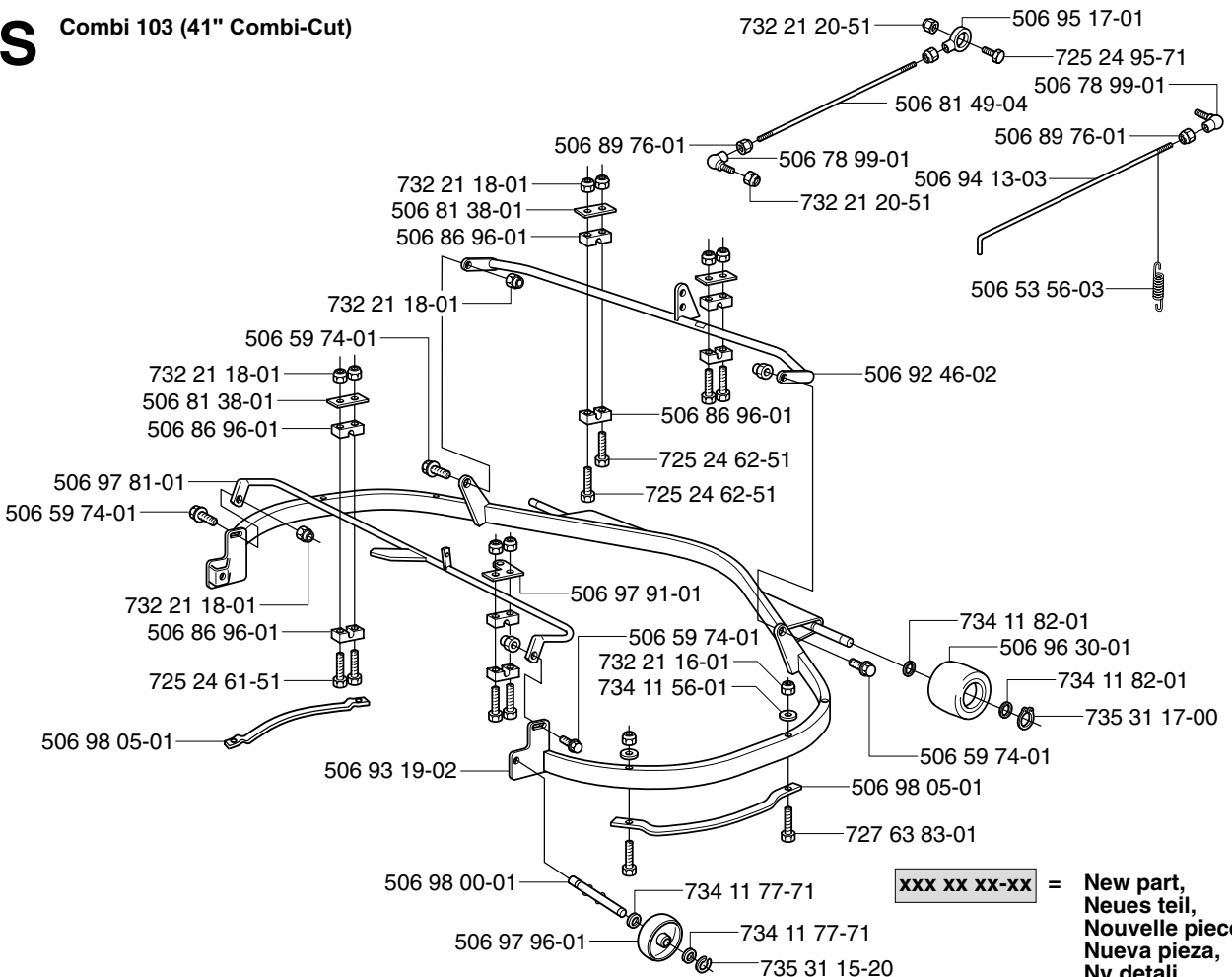
New part,
 Neues teil,
 Nouvelle piece,
 Nueva pieza,
 Ny detalj

xxx xx xx-xx =

S Rear 97 (38" Rear Discharge)

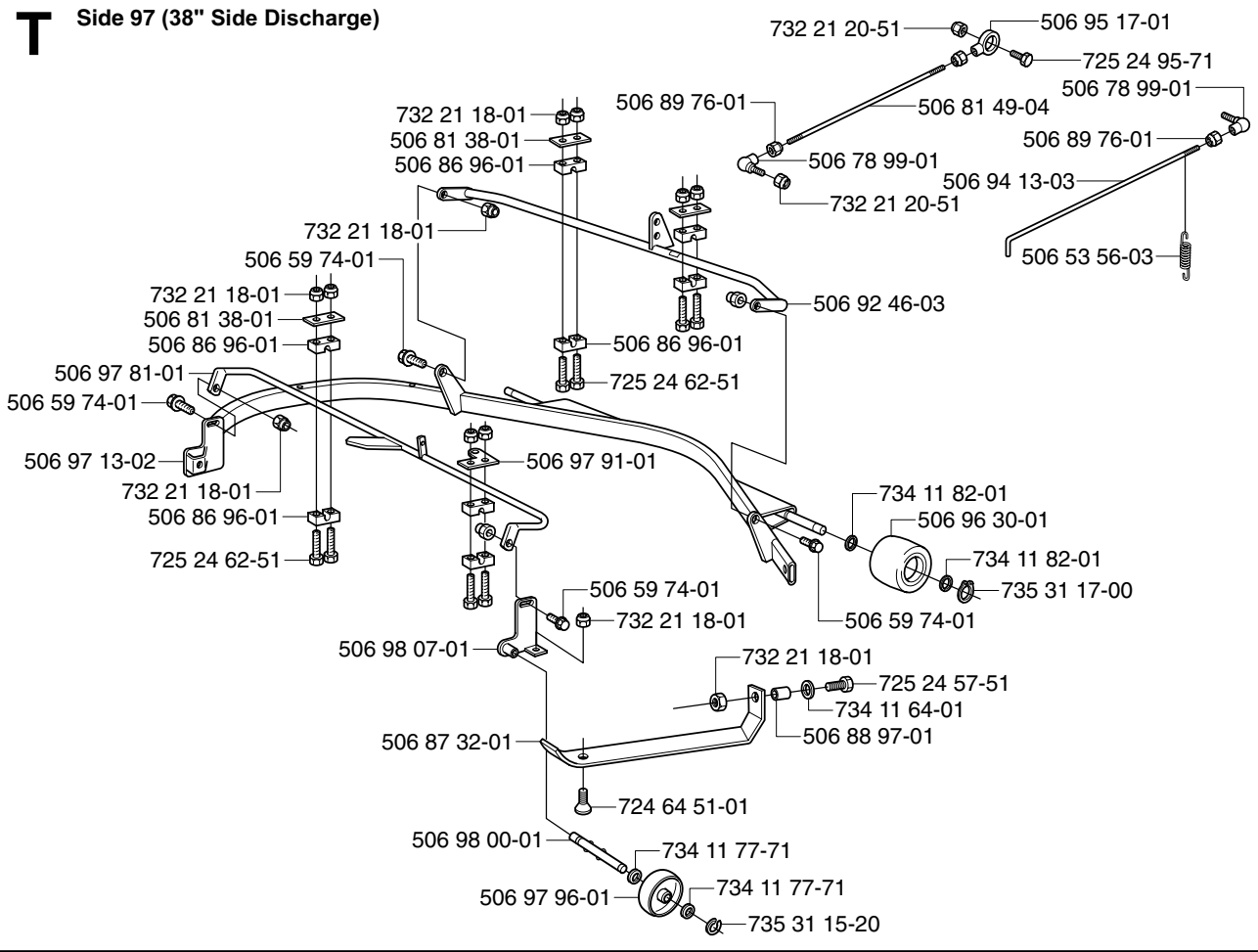


S Combi 103 (41" Combi-Cut)

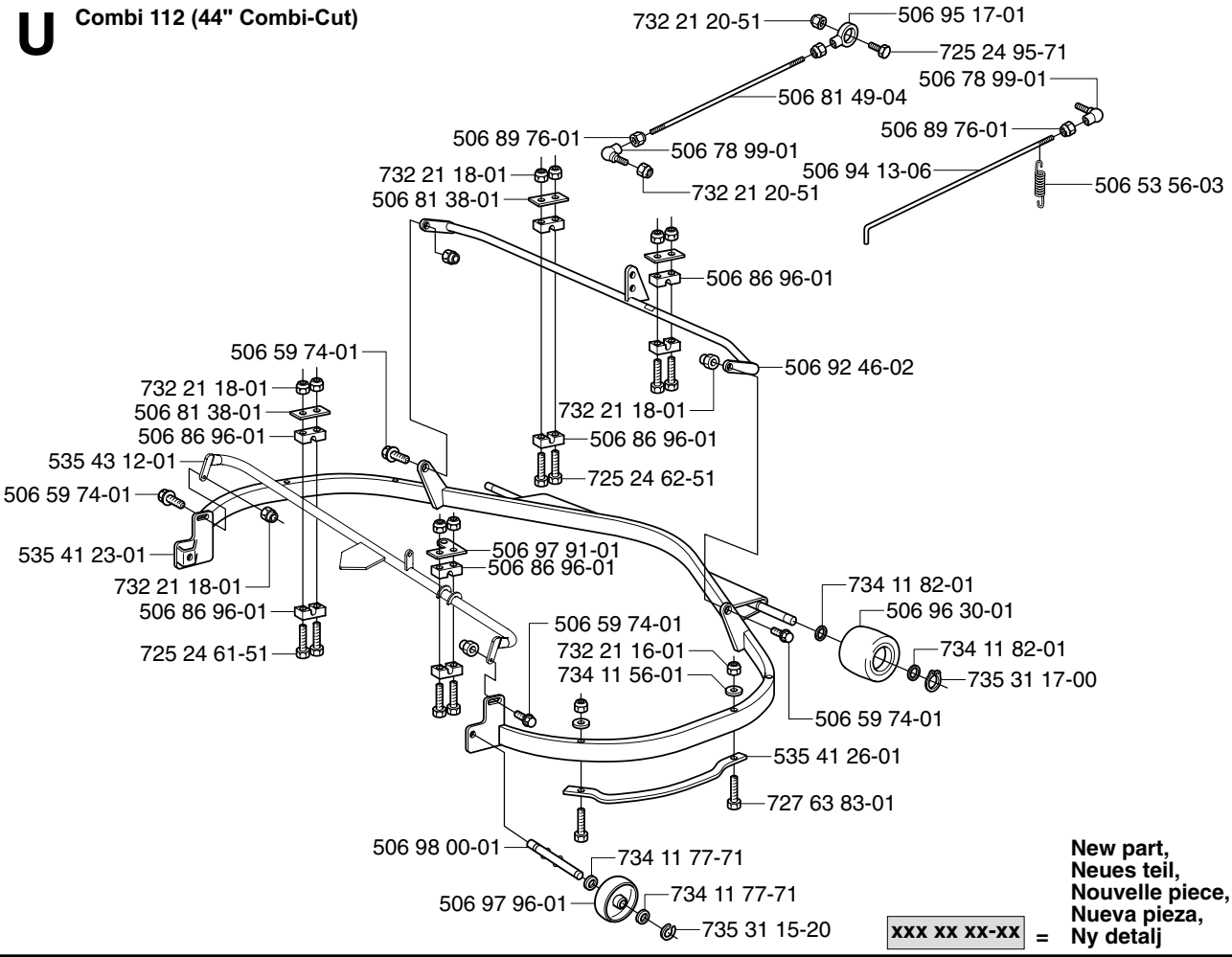


**xxx xx xx-xx = New part,
 Neues teil,
 Nouvelle piece,
 Nueva pieza,
 Ny detalj**

T Side 97 (38" Side Discharge)



U Combi 112 (44" Combi-Cut)



**New part,
Neues teil,
Nouvelle piece,
Nueva pieza,
Ny detalj**

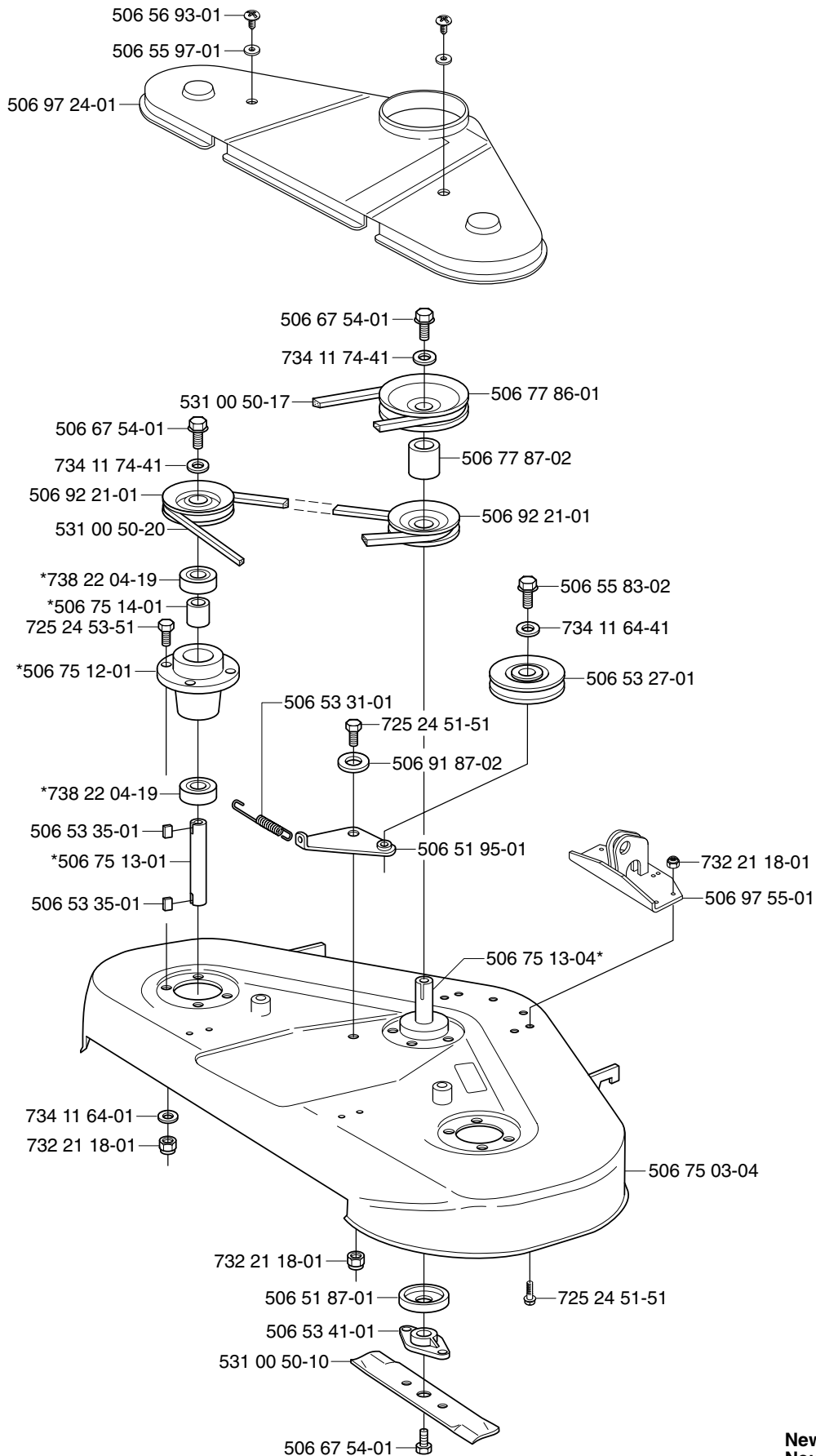
xxx xx xx-xx =

V

Rear 97 (38" Rear Discharge)

*compl 506 75 11-01 Yttre. Outer. Exterior. Äusser. Ulko.

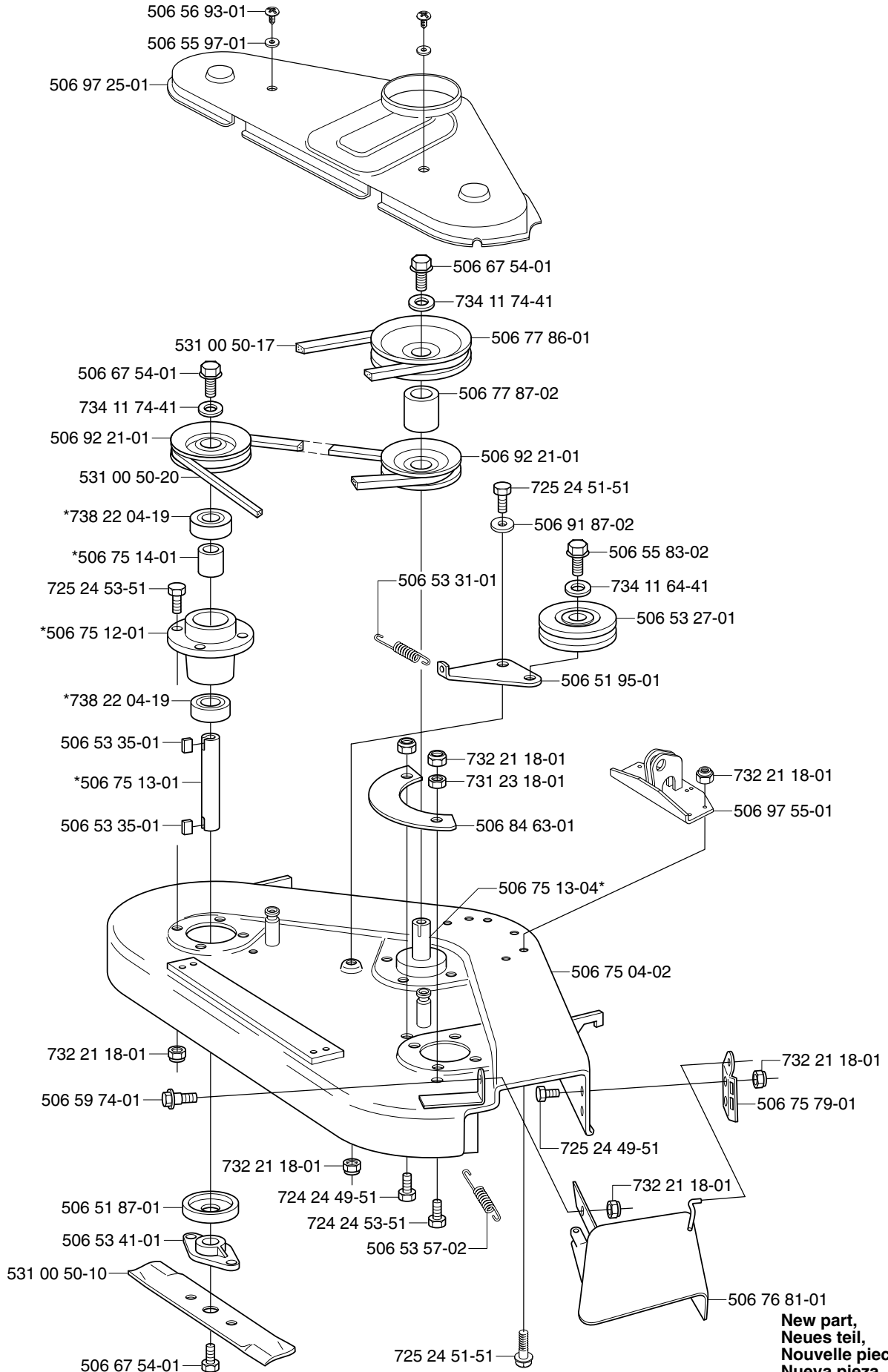
*compl 506 75 11-04 Mitten. Centre. Centre. Zentrum. Keski.



**New part,
Neues teil,
Nouvelle piece,
Nueva pieza,
Ny detalj**

xxx xx xx-xx =

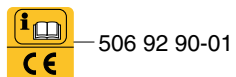
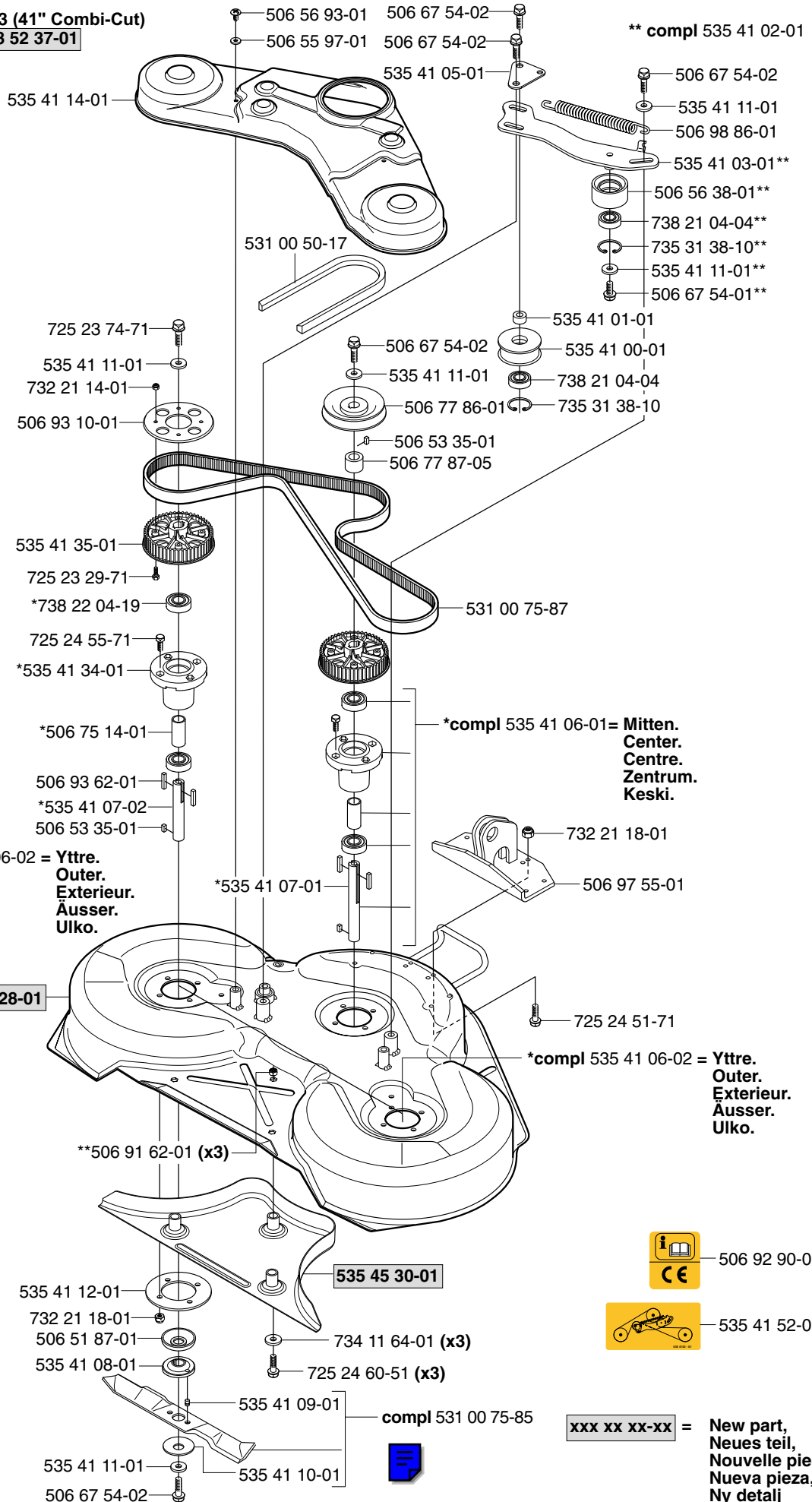
W Side 97 (38" Side Discharge)
 *compl 506 75 11-01 Yttre. Outer. Exterior. Äusser. Ulko.
 *compl 506 75 11-04 Mitten. Centre. Centre. Zentrum. Keski.



**New part,
 Neues teil,
 Nouvelle piece,
 Nueva pieza,
 Ny detalj**

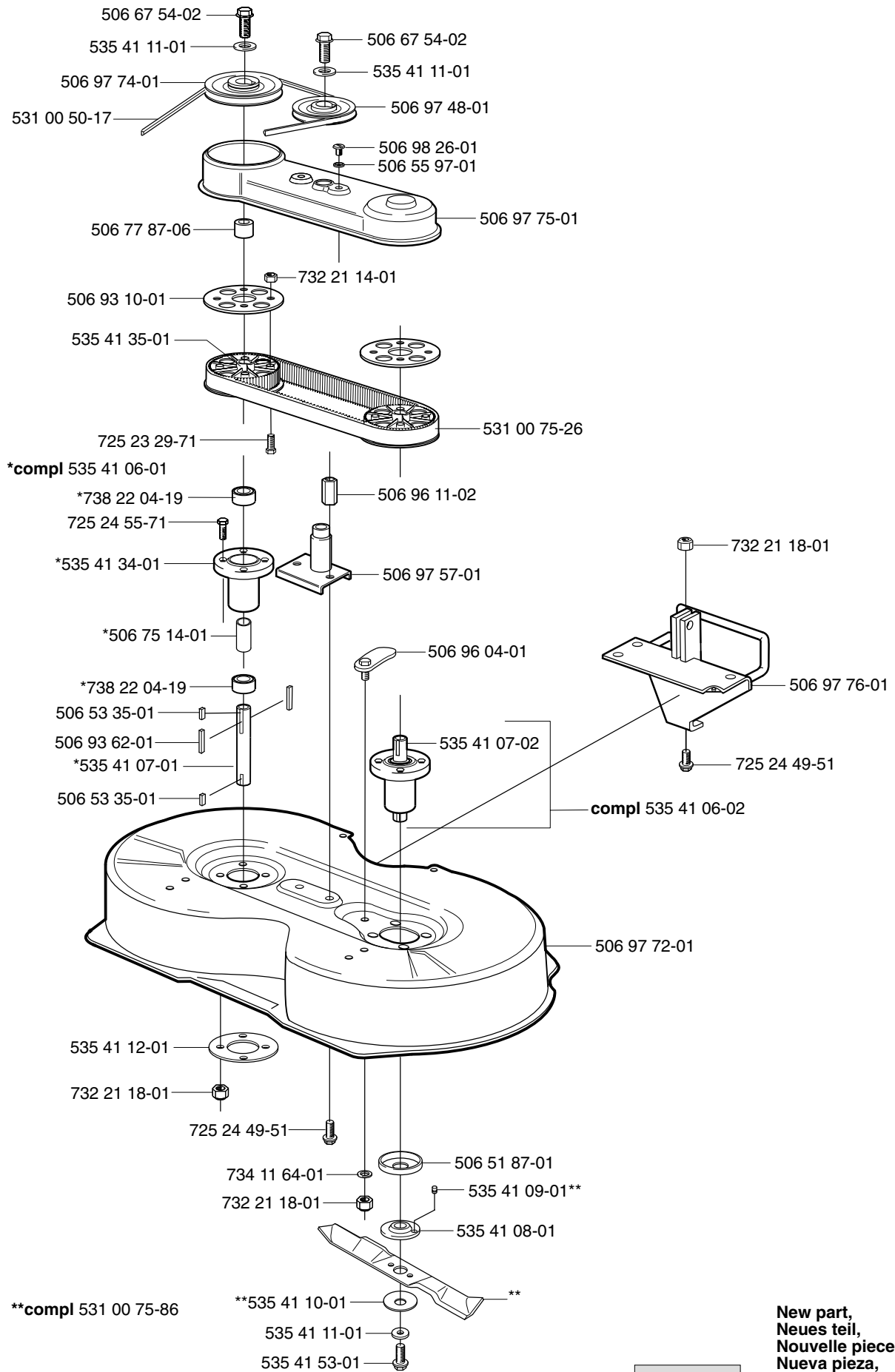
xxx xx xx-xx =

X **Combi 103 (41" Combi-Cut)**
compl 953 52 37-01



**xxx xx xx-xx = New part,
 Neues teil,
 Nouvelle piece,
 Nueva pieza,
 Ny detalj**

Y Bio 90 (36" Mulch)



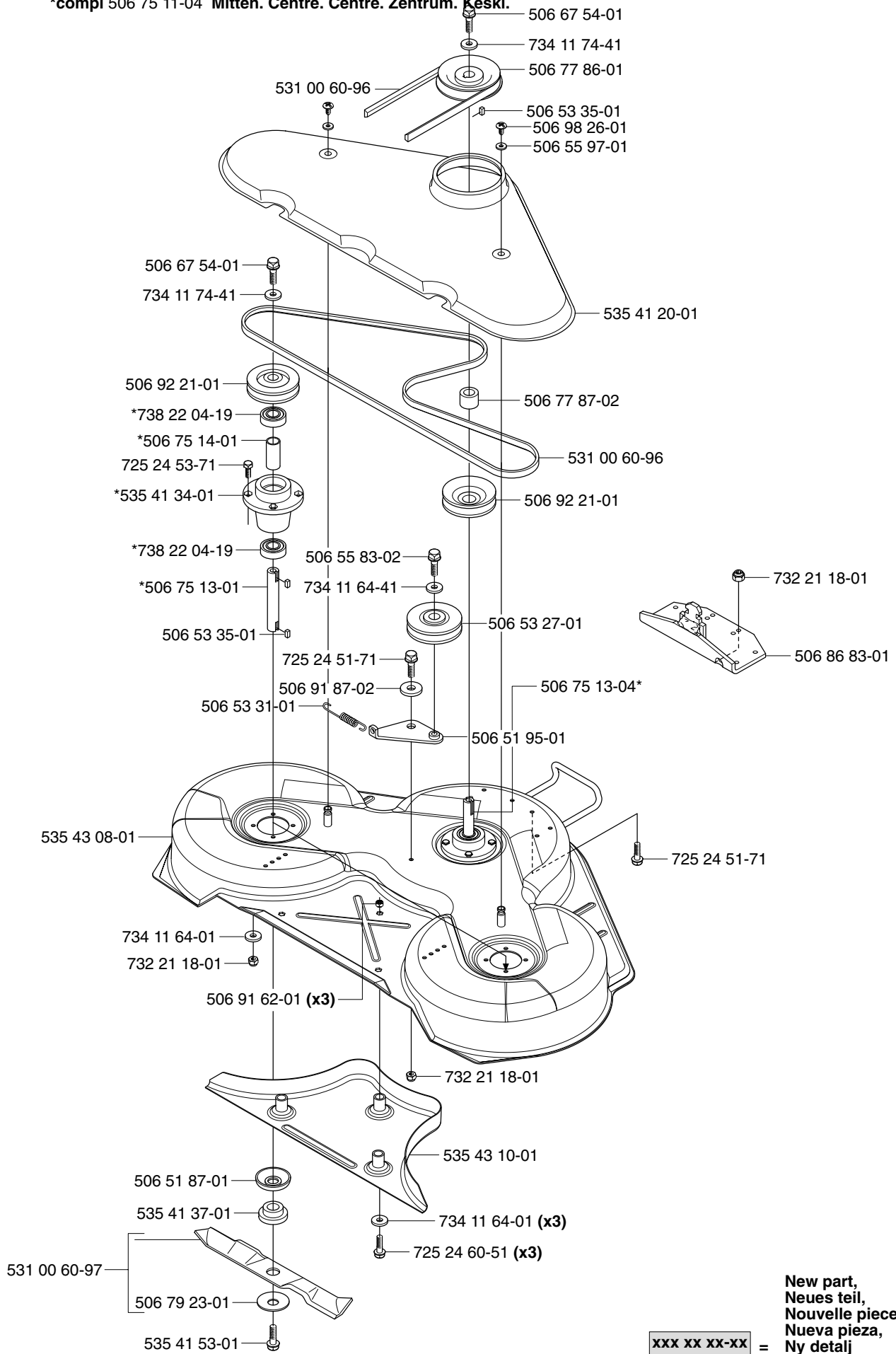
**compl 531 00 75-86

**535 41 10-01
535 41 11-01
535 41 53-01

xxx xx xx-xx =

New part,
Neues teil,
Nouvelle piece,
Nueva pieza,
Ny detalj

Z Combi 112 (44" Combi-Cut)
 *compl 506 75 11-01 Yttre. Outer. Exterieur. Äusser. Ulko.
 *compl 506 75 11-04 Mitten. Centre. Centre. Zentrum. Keski.



New part,
 Neues teil,
 Nouvelle piece,
 Nueva pieza,
 Ny detalj

xxx xx xx-xx =