

## **INSTALLATION INSTRUCTION FOR: MULCH KIT # 539105572 (72" Decks)** For use on Generation 2 Zero Turn Riders

---

INSTALLATION INSTRUCTIONS FOR THE FOLLOWING KITS & MODELS:

KIT PART NO.-539105635

968999202

ZVKH72260

968999175

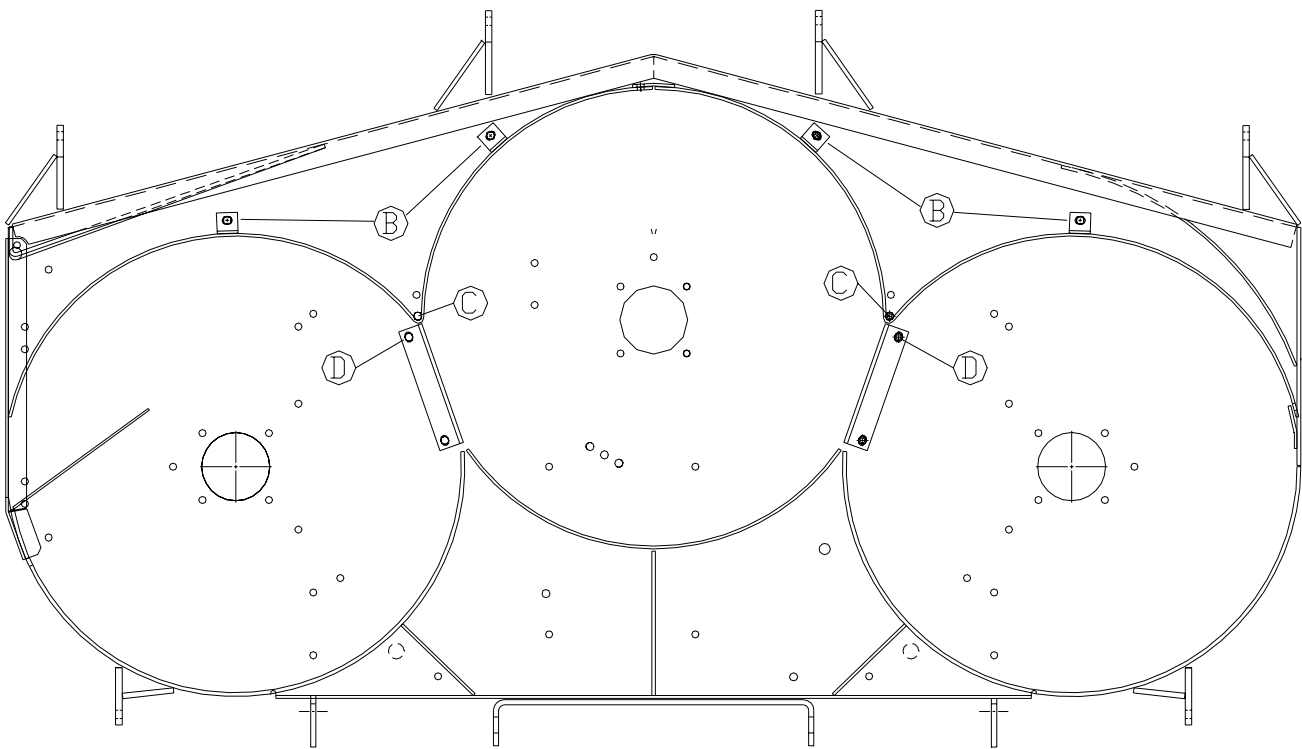
ZVKH72270

**IMPORTANT: BEFORE PROCEEDING, PLACE ALL CONTROLS IN THE DISENGAGED OR THE OFF POSITION, REMOVE SPARK PLUG WIRES FROM THE SPARK PLUGS.**

1. Raise the front of the mower high enough to allow adequate workroom under the deck, and support the mower with jack stands. Or, remove the deck from the mower, stand the deck on its rear edge, and clamp and brace it in such a way that it is well supported.
2. Remove the standard cut blades.
3. Lay the two halves of the mulching baffles on a flat surface and assemble into one piece using two each of the 5/16C x 3/4" carriage bolts, flat washers, and center lock nuts provided. Position the bolt heads toward the inside of the baffle.
4. Set the assembly in the deck so that: 1. The left end of the assembly is positioned behind the tuck plate welded inside the deck skirt, and 2. The discharge cover is in place over the discharge opening with the pins hooked inside the deck skirt.
5. Loosely fasten the assembly to the deck using four carriage bolts, washers, and nuts through the holes near the front of the deck at Position 'B'.
6. While holding the top edge of the discharge cover flush with the top of the discharge chute mounting bar, fasten it with two 5/16C x 3/4" bolts, flat washers, and center lock nuts. The heads of the carriage bolts should be on the outside of the discharge cover.
7. Fasten position 'C' to the deck using the two 5/16C x 4.5" bolts, flanged washers, and center lock nuts. With the washer on the bolt place it through the 'V' of the baffle and through the deck, tighten while holding the 'V' of the baffle against the bolt. The flanged washer should be turned so the lip catches the front of the 'V' on the baffle.
8. While holding the assembly tight against the underside of the deck, tighten the bolts at position 'B'.
9. Install the mulch blades provided making sure they clear all of the mulch baffles, place the deck back on the mower. Installation of your mulch kit is complete.

**PART LIST-KIT #539105572 (72")**

<b>PART NO.</b>	<b>QTY.</b>	<b>DESCRIPTION</b>
539105567	1	Baffle Weldment, Left
539105568	1	Discharge Baffle, 72
539105131	2	Deflector Center
539976934	2	5/16C x 3/4" Hex Capscrew
539990316	8	5/16C x 3/4" Carriage Bolt
539990184	12	5/16C Hex Center Lock Nut
539990692	10	5/16 Flat Washer
539105571	3	Mulch Blade, 25"
539103606	2	Flanged Washer
539976940	2	HCS 5/16C x 4.5



**UNDERSIDE VIEW OF DECK**