

**INSTALLATION INSTRUCTION FOR:
MULCH KITS # 539105129 (52") & # 539105128 (61")
For use on Generation 2 Zero Turn Riders**

INSTALLATION INSTRUCTIONS FOR THE FOLLOWING KIT & MODELS:
KIT PART NO.- 539105130

968999159	968999181	ZVKE61260
968999160	968999182	ZVKH52230
968999161	968999184	ZVKH61250
968999162	968999185	ZVKH61270
968999163	968999186	ZVKHL61230
968999164	968999187	ZVKW52250
968999165	968999188	ZVKW61230
968999166	968999189	ZVKW61250
968999171		

IMPORTANT: BEFORE PROCEEDING, PLACE ALL CONTROLS IN THE DISENGAGED OR THE OFF POSITION, REMOVE SPARK PLUG WIRES FROM THE SPARK PLUGS.

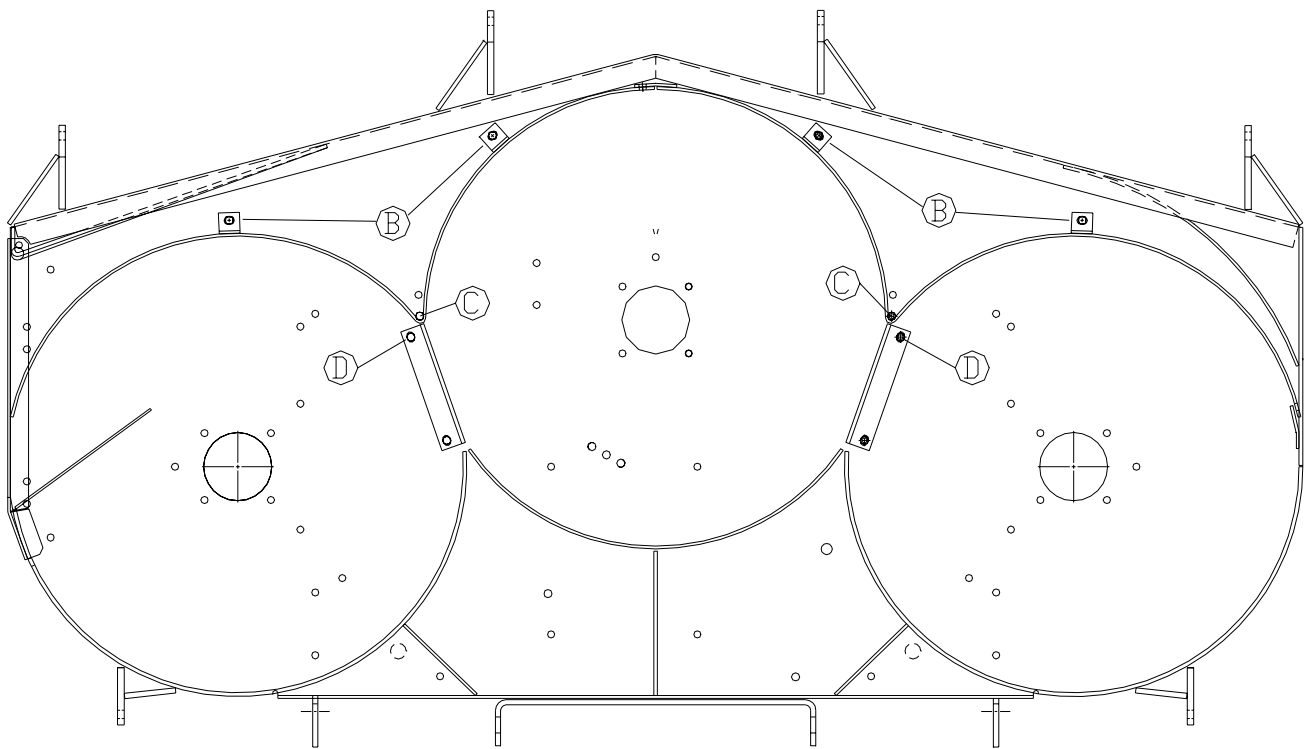
1. Raise the front of the mower high enough to allow adequate workroom under the deck, and support the mower with jack stands. Or, remove the deck from the mower, stand the deck on its rear edge, and clamp and brace it in such a way that it is well supported.
2. Remove the standard cut blades.
3. Lay the two halves of the mulching baffles on a flat surface and assemble into one piece using two each of the 5/16C x 3/4" carriage bolts, flat washers, and center lock nuts provided. Position the bolt heads toward the inside of the baffle.
4. Set the assembly in the deck so that: 1. The left end of the assembly is positioned behind the tuck plate welded inside the deck skirt, and 2. The discharge cover is in place over the discharge opening with the pins hooked inside the deck skirt.
5. Loosely fasten the assembly to the deck using four carriage bolts, washers, and nuts through the holes near the front of the deck at Position 'B'.
6. While holding the top edge of the discharge cover flush with the top of the discharge chute mounting bar, fasten it with two 5/16C x 3/4" bolts, flat washers, and center lock nuts. The heads of the carriage bolts should be on the outside of the discharge cover.
7. Fasten position 'C' to the deck using the two 5/16C x 4" bolts, flanged washers, and center lock nuts. With the washer on the bolt place it through the 'V' of the baffle and through the deck, tighten while holding the 'V' of the baffle against the bolt. The flanged washer should be turned so the lip catches the front of the 'V' on the baffle.
8. While holding the assembly tight against the underside of the deck, tighten the bolts at position 'B'.
9. Install the mulch blades provided making sure they clear all of the mulch baffles, place the deck back on the mower. Installation of your mulch kit is complete.

PART LIST-KIT #539105129 (52")

PART NO.	QTY.	DESCRIPTION
539103391.....	1.....	Baffle Weldment, Left
539105125.....	1.....	Baffle Weldment, Right
539976934.....	2.....	5/16C x 3/4" Hex Capscrew
539990316.....	8.....	5/16C x 3/4" Carriage Bolt
539990184.....	12.....	5/16C Hex Center Lock Nut
539990692.....	10.....	5/16 Flat Washer
539101485.....	3.....	Mulch Blade, 18"
539103606.....	2.....	Flanged Washer
539105132.....	2.....	Deflector Center, 52
539102335.....	2.....	HCS 5/16C x 4

PART LIST-KIT #539105128 (61")

PART NO.	QTY.	DESCRIPTION
539103375.....	1.....	Baffle Weldment, Left
539105122.....	1.....	Discharge Baffle, 61
539105131.....	2.....	Deflector Center, 61
539976934.....	2.....	5/16C x 3/4" Hex Capscrew
539990316.....	8.....	5/16C x 3/4" Carriage Bolt
539990184.....	12.....	5/16C Hex Center Lock Nut
539990692.....	10.....	5/16 Flat Washer
539102093.....	3.....	Mulch Blade, 21"
539103606.....	2.....	Flanged Washer
539102335.....	2.....	HCS 5/16C x 4



UNDERSIDE VIEW OF DECK