



Illustrated Parts List	2003-01
	I0202031

YTH 1842 A

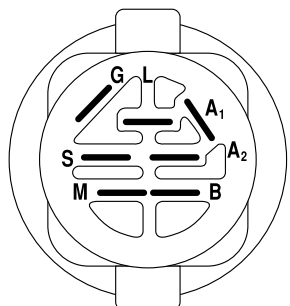
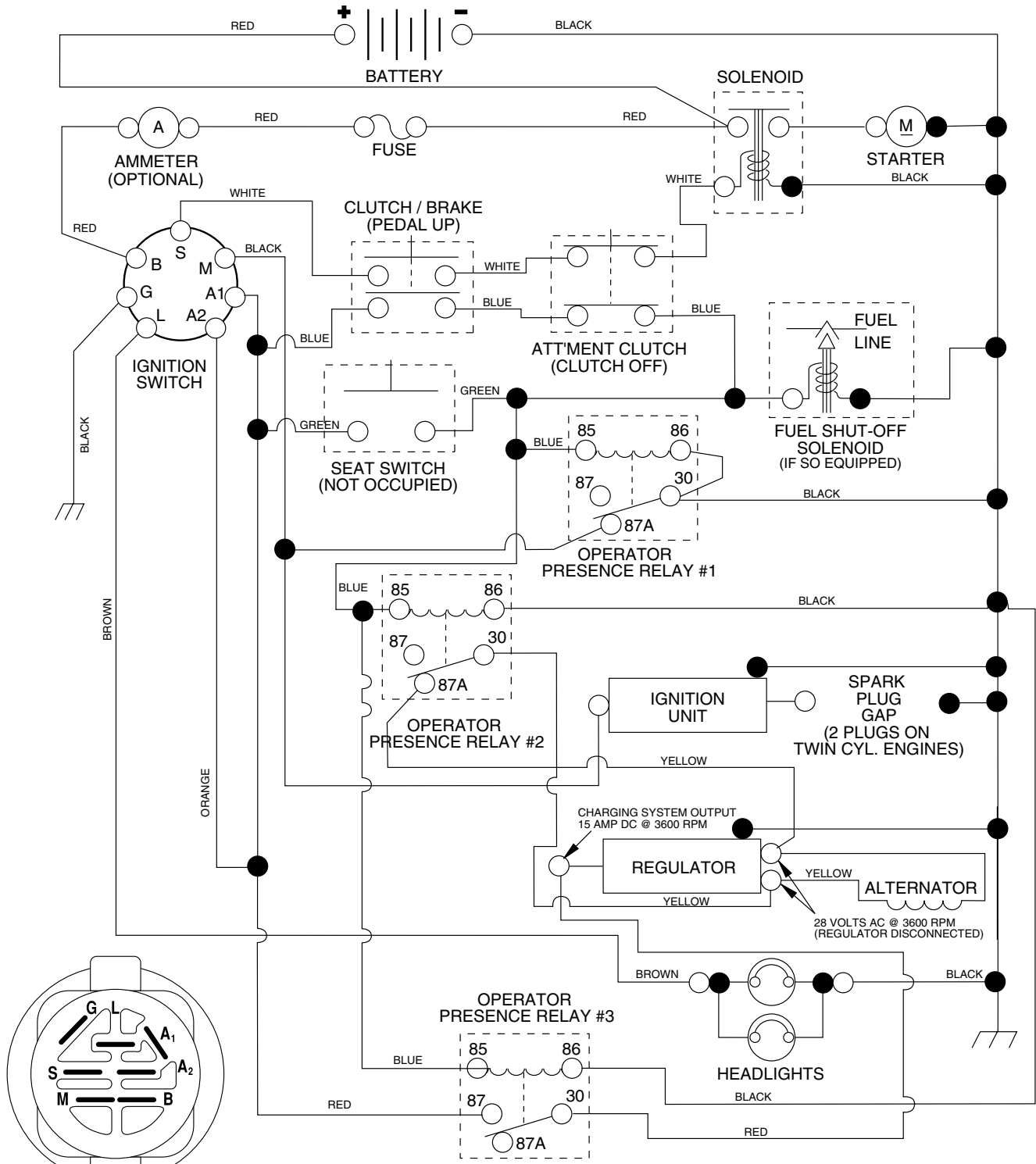
954569790



Repair Parts Manual

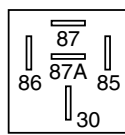
Ride Mower

For Husqvarna Parts Call 606-678-9623 or 606-561-4983
TRACTOR - - MODEL NO. YTH1842 (YTH1842A), PRODUCT NO. 954 56 97-90
SCHEMATIC



IGNITION SWITCH

POSITION	CIRCUIT	"MAKE"
OFF	M+G+A1	NONE
RUN/LIGHT	B+A1	A2+L
RUN	B+A1	NONE
START	B + S + A1	NONE



RELAY

NON-REMOVABLE CONNECTIONS

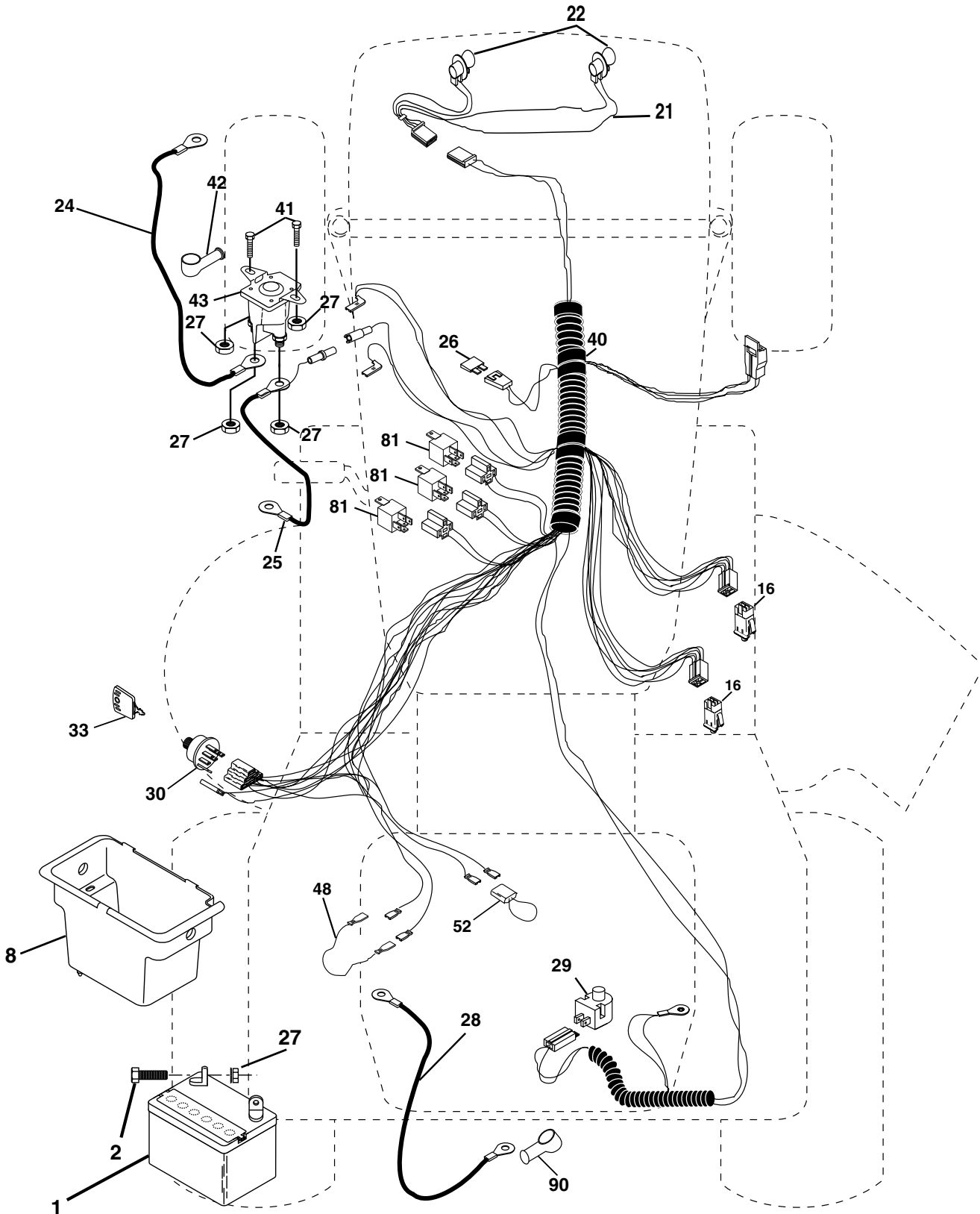
REMOVABLE CONNECTIONS

WIRING INSULATED CLIPS

NOTE: IF WIRING INSULATED CLIPS WERE REMOVED FOR SERVICING OF UNIT, THEY SHOULD BE REPLACED TO PROPERLY SECURE YOUR WIRING.

REPAIR PARTS

**TRACTOR - - MODEL NO. YTH1842 (YTH1842A), PRODUCT NO. 954 56 97-90
ELECTRICAL**



REPAIR PARTS

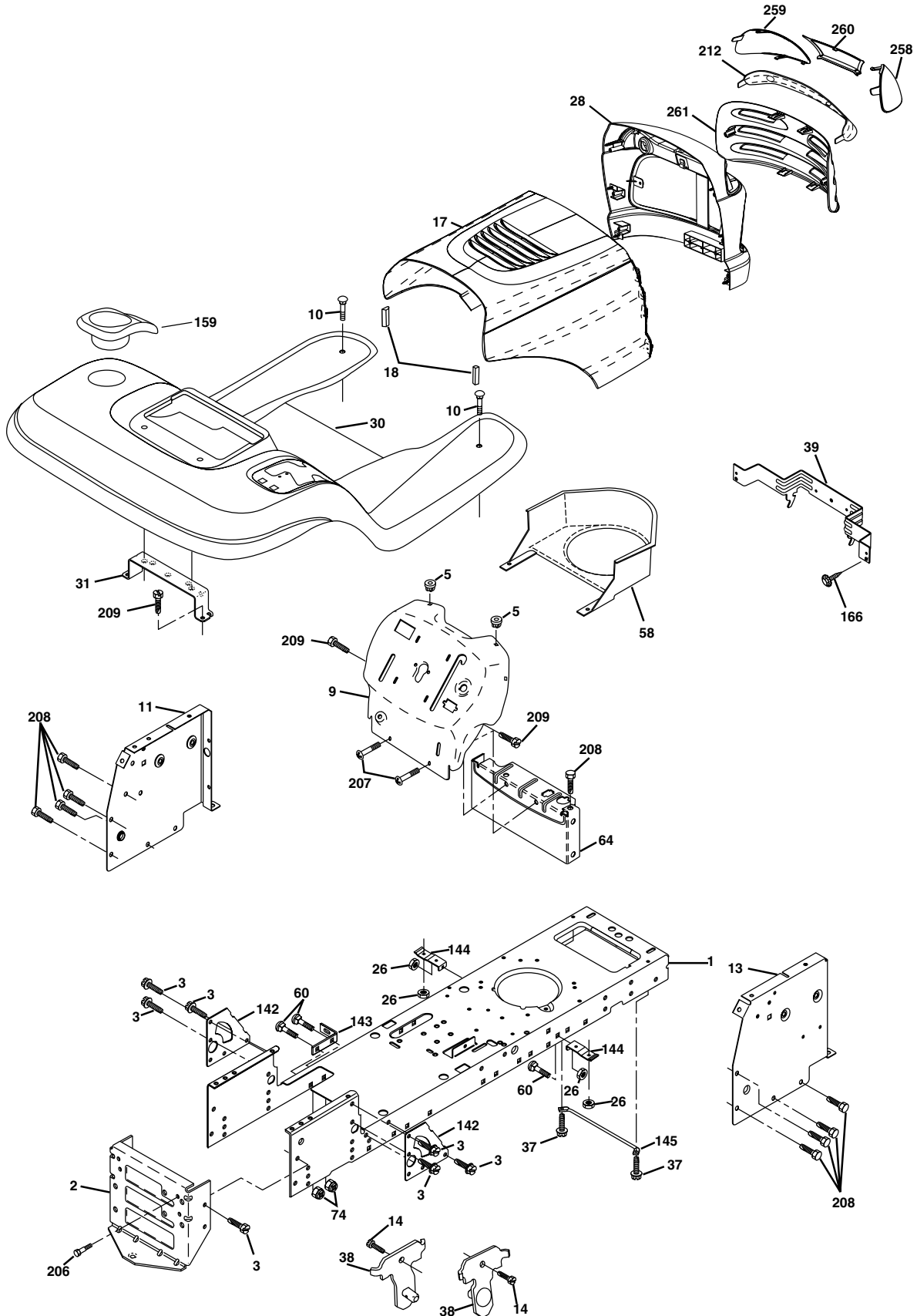
TRACTOR - - MODEL NO. YTH1842 (YTH1842A), PRODUCT NO. 954 56 97-90
ELECTRICAL

KEY NO.	PART NO.	DESCRIPTION
1	532 16 34-65	Battery
2	874 76 04-12	Bolt Hex Hd 1/4-20unc X 3/4
8	532 17 66-89	Box Battery
16	532 17 61-37	Switch Interlock
21	532 17 56-88	Harness Asm Light W/4152j
22	532 00 41-52	Bulb Light #1156
24	532 12 47-80	Cable Battery 6 Ga 11" red
25	532 14 61-47	Cable Battery 6 Ga 44" red w/16 wire
26	532 17 51-58	Fuse
27	873 51 04-00	Nut Keps Hex 1/4-20 Unc
28	532 12 47-73	Cable Ground 6 Ga 12" black
29	532 16 07-84	Switch Plunger Olive
30	532 17 55-66	Switch Ign Delta
33	532 14 04-01	Key Ign Molded Generic
40	532 17 97-22	Harness Ign.
41	871 11 04-08	Bolt Blk Fin Hex 1/4 - 20 x 1/2
42	532 13 15-63	Cover Terminal Red
43	532 17 88-61	Solenoid
48	532 14 08-44	Adapter Ammeter Rectangular
52	532 14 19-40	Protection Wire Loop
81	532 10 97-48	Relay Asm.
90	532 18 04-49	Cover Terminal Battery

NOTE: All component dimensions given in U.S. inches.
1 inch = 25.4 mm.

REPAIR PARTS

TRACTOR - - MODEL NO. YTH1842 (YTH1842A), PRODUCT NO. 954 56 97-90
CHASSIS AND ENCLOSURES



REPAIR PARTS

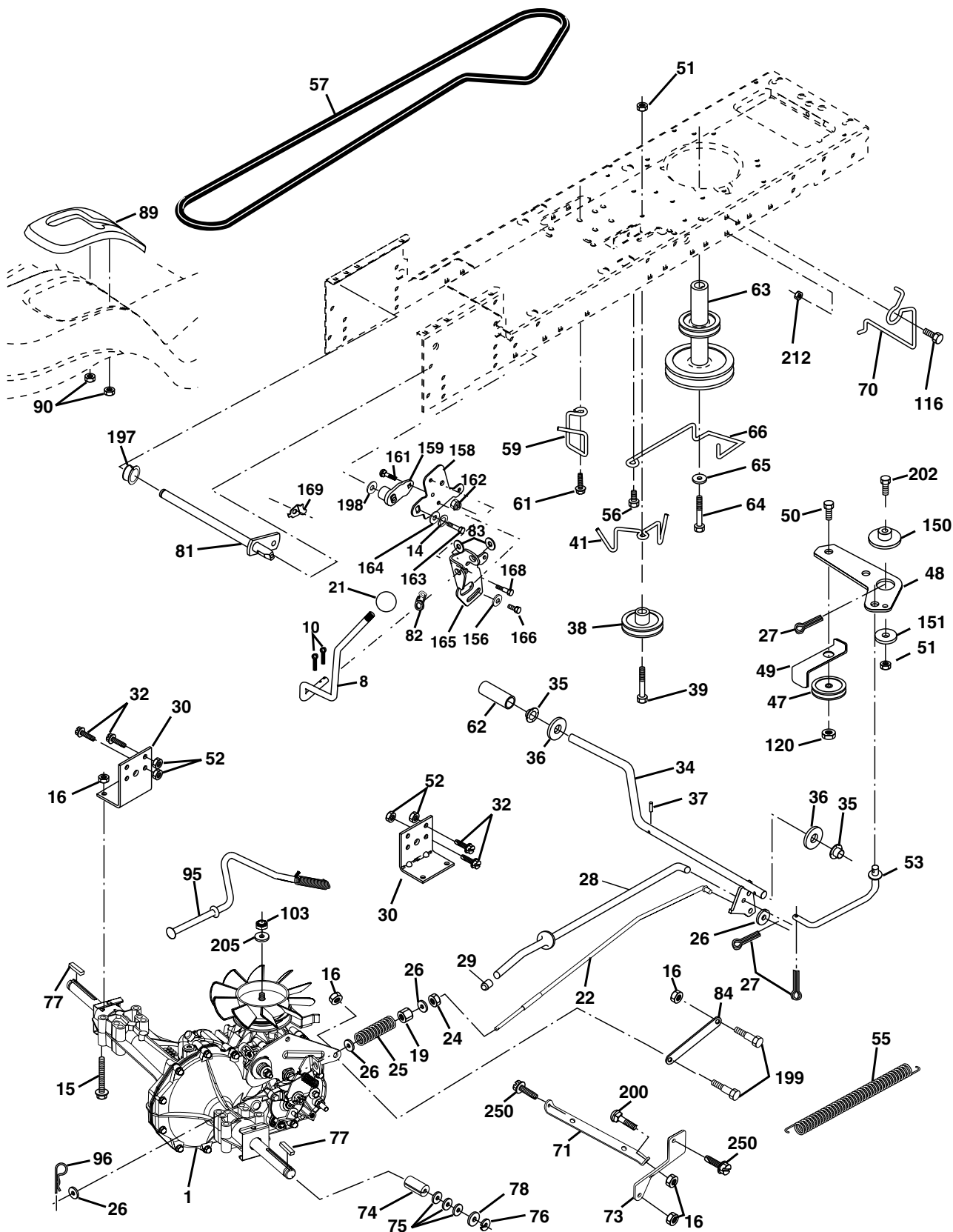
**TRACTOR - - MODEL NO. YTH1842 (YTH1842A), PRODUCT NO. 954 56 97-90
CHASSIS AND ENCLOSURES**

KEY NO.	PART NO.	DESCRIPTION
1	532 17 46-19	Chassis Stamping
2	532 17 65-54	Drawbar, 12 Ga.
3	817 06 06-12	Screw 3/8-16 x 3/4
5	532 15 52-72	Bumper Hood/Dash
9	532 17 18-53	Dash Silkscr
10	872 14 06-08	Bolt Carriage 3/8-16 x 1
11	532 17 49-96	Panel Dash Lh
13	532 18 17-19	Panel Dash Rh
14	817 49 06-08	Screw Thdrol 3/8-16 x 1/2
17	532 18 52-11	Hood LT/PL
18	532 18 49-21	Bumper Hood
26	873 80 06-00	Nut Lock Hex W/Ins 3/8-16 Unc
28	532 18 52-92	Grille/Lens Asm
30	532 18 10-01	Fender Footrest
31	532 13 99-76	Bracket Fender
37	817 49 05-08	Screw Thdrol 6/16-18 x 1/2 TYT
38	532 17 57-10	Bracket Asm Pivot Mower Rear
39	532 17 47-14	Bracket Pivot
58	532 15 01-27	Air Duct Engine P/L
60	872 14 06-06	Bolt RdHd Sqnk 3/8-16 Unc x 3/4
64	532 15 47-98	Dash Lower STLT
74	873 68 06-00	Nut Crownlock 3/8-16 Unc
142	532 17 57-02	Plate Reinforcement STLT
143	532 15 49-66	Bracket Swaybar Chassis
144	532 17 55-82	Bracket Footrest
145	532 15 65-24	Rod Pivot Chassis/Hood
159	532 16 65-08	Cupholder
166	532 17 18-75	Screw HwHd Hi-Lo #13-16 x 3/4
206	532 17 01-65	Bolt Shoulder 5/16-18 TT
207	817 67 05-08	Screw Thdrol 5/16-18 x 1/2
208	817 67 06-08	Screw Thdrol 3/8-16x1/2 Ty-tt
209	817 00 06-12	Screw Hex Wsh Thdr. 3/8-16 x 3/4
212	532 18 35-48	Insert Lens Reflective
258	532 18 52-14	Lens Husq Laser LT Clear RH
259	532 18 52-13	Lens Husq Laser LT Clear LH
260	532 18 54-29	Cover Lens
261	532 18 54-33	Insert Grille
- -	532 00 54-79	Plug Button

NOTE: All component dimensions given in U.S. inches
1 inch = 25.4 mm

REPAIR PARTS

TRACTOR - - MODEL NO. YTH1842 (YTH1842A), PRODUCT NO. 954 56 97-90 DRIVE



REPAIR PARTS

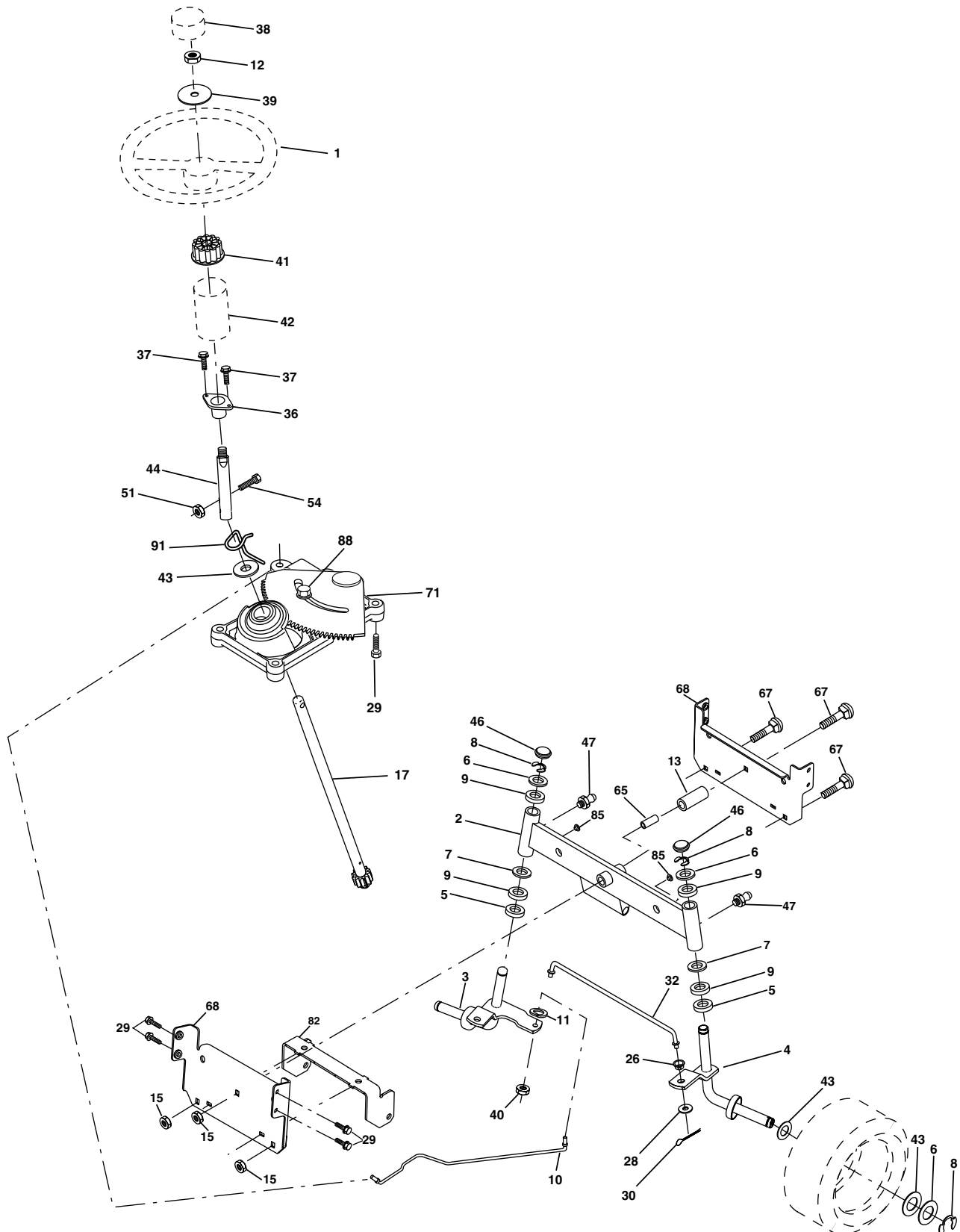
**TRACTOR - - MODEL NO. YTH1842 (YTH1842A), PRODUCT NO. 954 56 97-90
DRIVE**

KEY NO.	PART NO.	DESCRIPTION	KEY NO.	PART NO.	DESCRIPTION
1	-----	Transaxle Hydro Gr Model 322-0510 (Order parts from transaxle mfg.)	71	532 16 91-83	Strap Torque Lh Hydro
8	532 16 58-66	Rod Shift Fender	73	532 16 91-82	Strap Torque Rh Hydro
10	876 02 04-16	Pin Cotter 1/8 x 1 CAD	74	532 13 70-57	Spacer, Axle
14	810 04 04-00	Washer Lock Hvy Helical 1/4	75	532 12 17-49	Washer 25/32 x 1-1/4 x 16 Gauge
15	874 49 05-44	Bolt Hex Flg Hd 5/16-18 X Gr.5	76	812 00 00-01	E-Ring
16	873 80 05-00	Nut Lock Hex W/Ins. 5/16-18 Unc P	77	532 12 35-83	Key, Square
19	873 80 06-00	Nut Lock Hex W/Wsh 3/8-16 Unc	78	532 12 17-48	Washer 25/32 x 1-5/8 x 16 Gauge
21	532 14 08-45	Knob, Deluxe	81	532 16 55-96	Shaft Asm. Cross Hydro
22	532 16 94-98	Rod, Brake Hydro	82	532 16 57-11	Spring Torsion T/A
24	873 35 06-00	Nut	83	819 17 12-16	Washer 17/32 x 3/4 x 16 Ga.
25	532 10 68-88	Spring, Brake Rod	84	532 16 98-43	Link Transaxle
26	819 13 13-16	Washer	89	532 16 65-10	Console, Shift
27	876 02 04-12	Pin Cotter 1/8 x 3/4 CAD.	90	532 12 43-46	Nut Self Thd Wsh Hd 1/4 Zinc
28	532 17 57-65	Rod, Parking Brake	95	532 17 02-01	Control Asm Bypass Hydro
29	532 07 16-73	Cap, Parking Brake	96	532 12 47-88	Retainer Spring 1" Zinc/Cad
30	532 17 49-73	Bracket, Transaxle	103	873 94 08-00	Nut Hex Jam Toplock 1/2-20 Unf
32	874 76 05-12	Bolt Hex Hd 5/16-18 Unc x 3/4	116	872 14 06-08	Boulon 3/8-16 x 1
34	532 17 55-78	Shaft, Foot Pedal	120	873 90 06-00	Nut Lock Flg 3/8-16
35	532 12 01-83	Bearing, Nylon	150	532 17 54-56	Spacer Retainer
36	819 21 16-16	Washer	151	819 13 32-10	Washer 13/32 x 2 x 10 Ga.
37	532 12 49-63	Pin, Roll	156	532 16 60-02	Washer Srrtd 5/16 ID x 1.0 x .125 Tk
38	532 17 91-14	Pulley, Composite	158	532 16 55-89	Bracket Shift Mount
39	874 76 06-48	Bolt	159	532 18 39-00	Hub Tapered Flange Shift LT
41	532 17 55-56	Keeper, Belt Idler	161	872 14 04-06	Bolt Rdhd Sqnk 1/4-20 x 3/4 Gr. 5
47	532 12 77-83	Pulley, Idler, V-Groove	162	873 68 04-00	Nut Crownlock 1/4-20 Unc
48	532 15 44-07	Bellcrank Clutch Grnd Drv Stl	163	874 78 04-16	Bolt Hex Fin 1/4-20 unc x 1 Gr. 5
49	532 12 32-05	Retainer, Belt	164	819 09 10-10	Washer 5/8 x .281 x 10 Ga
50	872 11 06-12	Bolt Carr Sh 3/8-16 x 1-1/2 Gr. 5	165	532 16 56-23	Bracket Pivot Lever
51	873 68 06-00	Nut	166	532 16 68-80	Screw 5/16-18 x 5/8 TT Yellow
52	873 68 05-00	Nut Crownlock 5/16-18	168	532 16 54-92	Bolt Shoulder 5/16-18 x .561 TT
53	532 10 57-10	Link, Clutch	169	532 16 55-80	Plate Fastening Cross Shf. STLT/ CRD
55	532 10 57-09	Spring, Return, Clutch	197	532 16 96-13	Nyliner Snap-In 5/8" ID
56	817 06 06-20	Screw 3/8-16 x 1-1/4	198	532 16 95-93	Washer Nyl. 7/8 ID x .105"
57	532 14 02-94	V-Belt, Ground Drive	199	532 16 96-12	Bolt Shoulder 5/16-18 Unc
59	532 16 96-91	Keeper, Center Span	200	872 14 05-08	Bolt Rdhd Sq Neck 5/16-18unc x 1
61	817 12 06-14	Screw 3/8-16 x .875	202	872 11 06-14	Bolt Carr Sh 3/8-16 x 1-3/4 Gr. 5
62	532 12 48-72	Cover, Pedal	205	819 17 16-16	Washer 17/32 x 1 x 16 Ga.
63	532 17 54-10	Pulley, Clutch Eng	212	532 14 52-12	Nut Hex Flg Lock
64	871 17 07-64	Bolt Hex 7/16-20 x 4 Ga. 5	250	817 06 06-12	Screw 3/8-16 x 3/4
65	810 04 07-00	Washer			
66	532 15 47-78	Keeper Belt Engine			
70	532 13 46-83	Guide Belt Mower Drive RH			

NOTE: All component dimensions give in U.S. inches.
1 inch = 25.4 mm.

REPAIR PARTS

TRACTOR - - MODEL NO. YTH1842 (YTH1842A), PRODUCT NO. 954 56 97-90
STEERING ASSEMBLY



REPAIR PARTS

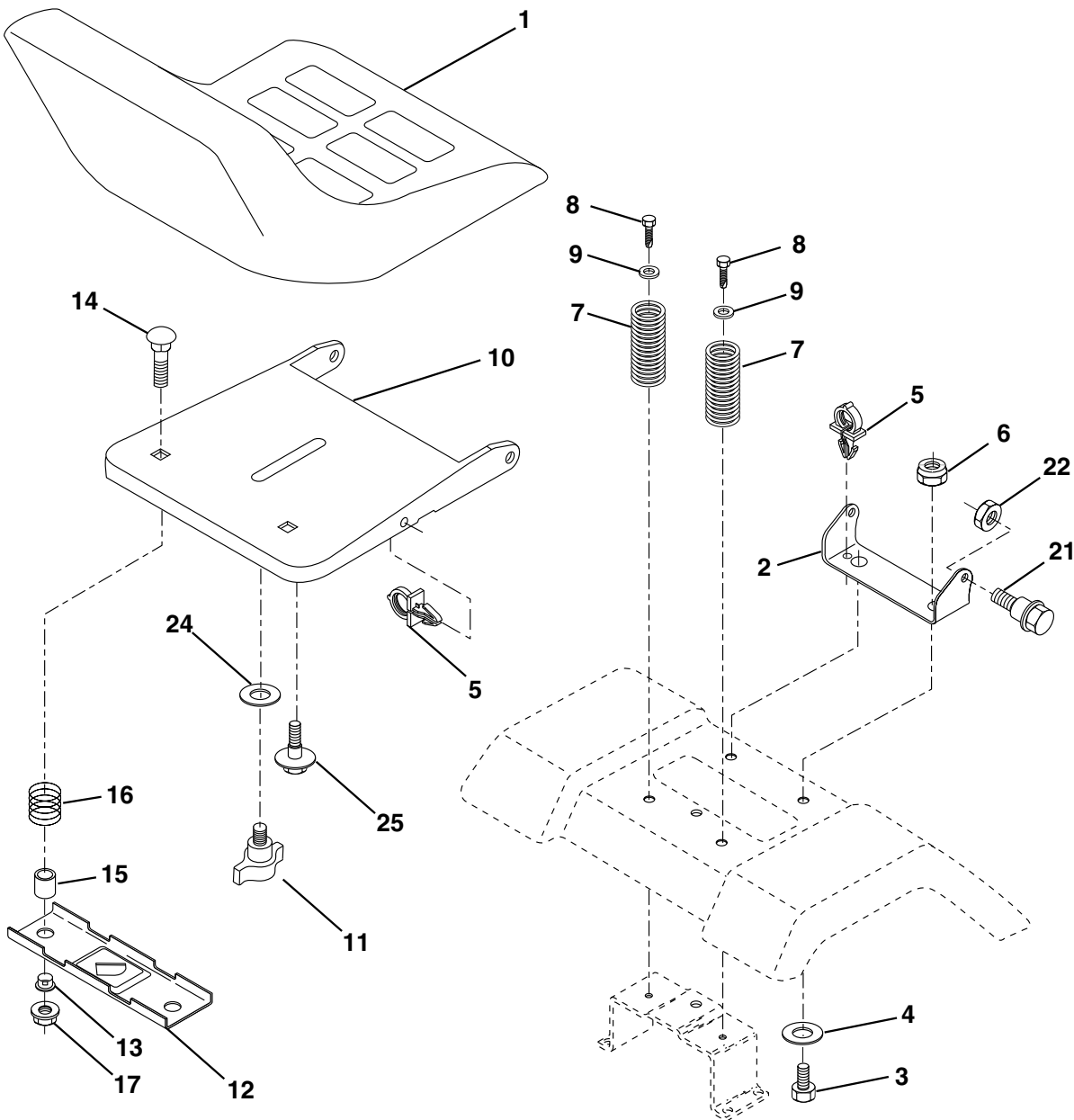
TRACTOR - - MODEL NO. YTH1842 (YTH1842A), PRODUCT NO. 954 56 97-90
STEERING ASSEMBLY

KEY NO.	PART NO.	DESCRIPTION
1	532 18 54-37	Wheel Steering
2	532 17 51-31	Axle Asm
3	532 16 98-40	Spindle Asm LH
4	532 16 98-39	Spindle Asm RH
5	532 12 49-31	Bearing Race Thrust Harden
6	532 12 17-48	Washer 25/32 X 1-5/8 X 16 Ga
7	819 27 20-16	Washer 27/32 X 1-1/4 X 16 Ga
8	812 00 00-29	Ring Klip #t5304-75
9	532 12 49-37	Bearing Col Strg Blk
10	532 17 51-21	Link Drag
11	810 04 06-00	Washer Lock Hvy Hlcl Spr 3/8
12	873 94 08-00	Nut Hex Jam Toplock 1/2-20 Unf
13	532 13 65-18	Spacer Brg Axle Front
15	532 14 52-12	Nut Hex Flange Lock
17	532 18 06-41	Shaft Asm Strg
26	532 12 68-47	Bushing Link Drag Blk LR
28	819 13 14-16	Washer 13/32 X 7/8 X 16 Ga
29	817 06 06-12	Screw 3/8-16x3/4
30	876 02 04-12	Pin Cotter 1/8 X 3/4 Cad
32	532 13 04-65	Rod Tie Wire Form 19 75 Mech
36	532 15 50-99	Bushing Strg
37	532 15 29-27	Screw
38	532 16 66-26	Cap Wheel Steering
39	819 18 24-11	Washer 9/16 ID X 1-1/2 OD 11 G. Zin
40	532 12 47-01	Lock nut
41	532 15 99-45	Adaptor Wheel Strg
42	532 16 96-34	Boot Steering Shaft
43	532 12 17-49	Washer 25/32 X 1 1/4 X 16 Ga
44	532 18 06-40	Extension Steering Shaft LR/LT
46	532 12 12-32	Cap Spindle Fr Top Blk
47	532 18 32-26	Fitting Grease
51	873 54 04-00	Nut Crownlock 1/4-28
54	871 13 04-20	Bolt Hex 1/4-28unf x 1-1/4 Ga. 8
65	532 16 03-67	Spacer Brace Axle
68	532 16 98-27	Axle, Brace
71	532 17 51-46	Steering Asm
82	532 16 98-35	Bracket Susp Chassis Front
85	532 13 38-35	Fastner Christmas Tree
88	532 17 51-18	Bolt Shoulder 7/16-20
91	532 17 55-53	Clip Steering

NOTE: All component dimensions given in U.S. inches.
1 inch = 25.4 mm.

REPAIR PARTS

TRACTOR - - MODEL NO. YTH1842 (YTH1842A), PRODUCT NO. 954 56 97-90
SEAT ASSEMBLY



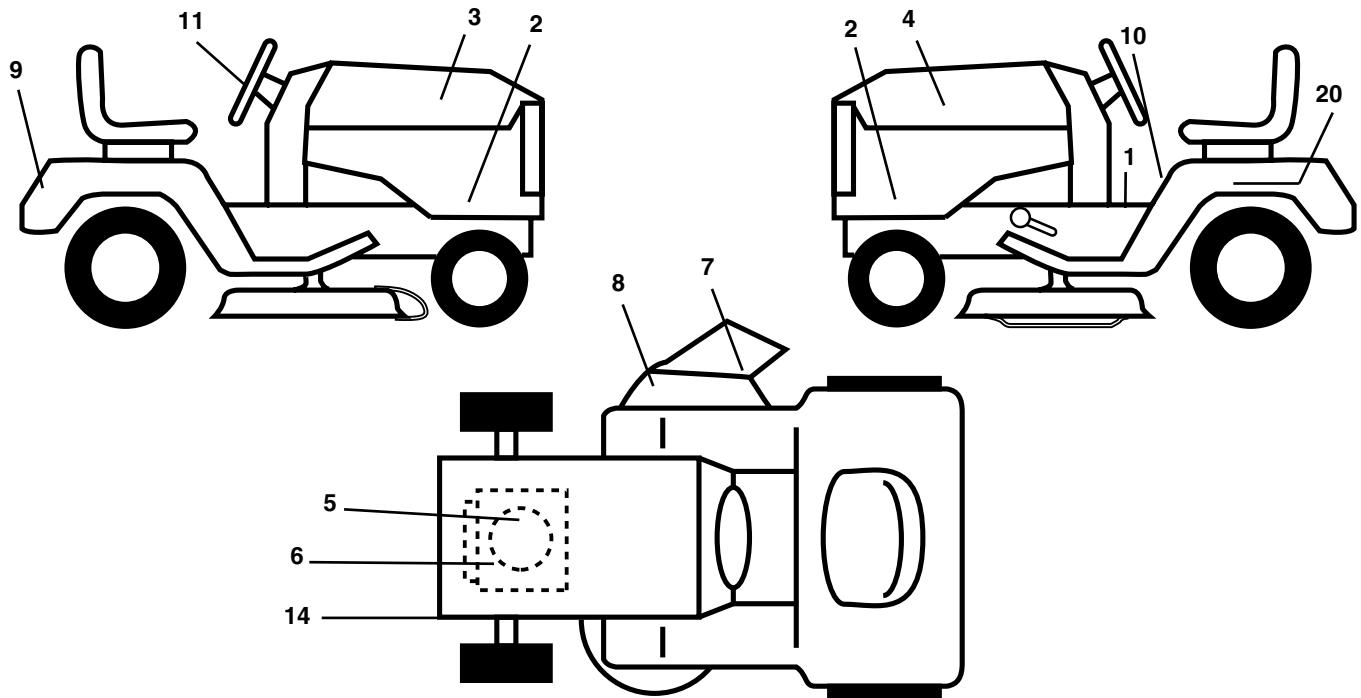
KEY NO.	PART NO.	DESCRIPTION
1	532 14 08-39	Seat
2	532 14 05-51	Bracket Pivot Seat 8 720
3	871 11 06-16	Bolt Fin Hex 3/8-16unc X 1
4	819 13 16-10	Washer 13/32 X 1 X 10 Ga
5	532 14 50-06	Clip Push-In
6	873 80 06-00	Nut Hex w/Ins. 3/8-16 Unc
7	532 12 41-81	Spring Seat Cprsn 2 250 Blk Zi
8	817 00 06-16	Screw 3/8-16 X 1
9	819 13 16-14	Washer 13/32 X 1 X 14 Ga.
10	532 18 24-93	Pan Seat
11	532 16 63-69	Knob Seat
12	532 12 12-46	Bracket Mounting Switch

KEY NO.	PART NO.	DESCRIPTION
13	532 12 12-48	Bushing Snap Blk Nyl 50 Id
14	872 05 04-12	Bolt Rdhd Sqnk 1/4-20x1-1/2
15	532 13 43-00	Spacer Split 28x 96 Yel Zinc
16	532 12 12-50	Spring Cprsn 1 27 Blk Pnt
17	532 12 39-76	Nut Lock 1/4 Lge Flg Gr 5 Zinc
21	532 17 18-52	Bolt Shoulder 5/16-18 Unc-2A
22	873 80 05-00	Nut Hex Lock W/Ins 5/16-18
24	819 17 19-12	Washer 17/32 X 1-3/16 X 12 Ga.
25	532 12 70-18	Bolt Shoulder 5/16-18 X 62

NOTE: All component dimensions given in U.S. inches.
1 inch = 25.4 mm

REPAIR PARTS

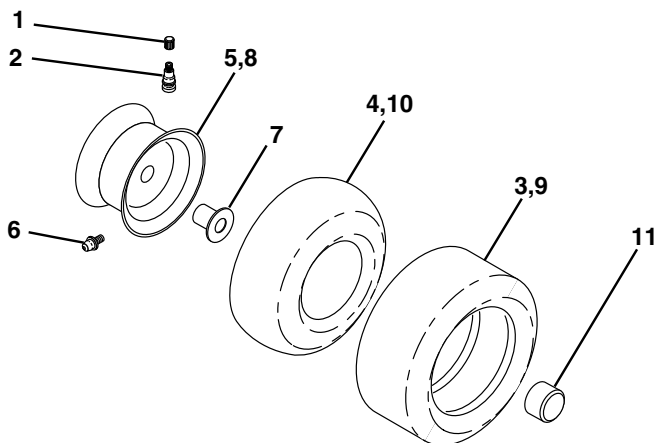
TRACTOR - - MODEL NO. YTH1842 (YTH1842A), PRODUCT NO. 954 56 97-90
DECALS



KEY NO.	PART NO.	DESCRIPTION
1	532 15 70-32	Decal Oper. Step Thru Eng/Fr
2	532 18 58-15	Decal Side Panel
3	532 18 58-28	Decal Hood RH
4	532 18 58-29	Decal Hood LH
5	532 18 09-41	Decal Hood Cust.
6	532 18 58-30	Decal Engine
7	532 17 91-28	Decal Deck B 42
8	532 17 05-63	Decal Warning
9	532 17 68-22	Decal Fender Husq
10	532 15 71-40	Decal Fender Danger Eng/Fr

KEY NO.	PART NO.	DESCRIPTION
11	532 17 05-64	Decal SW Husq Prem
14	532 16 03-96	Decal V-Belt Schematic
20	532 14 50-05	Decal Bat Dan/Psn
--	532 13 83-11	Decal Handle Lft Height Adjust
--	532 16 92-10	Decal Bypass Lt Hydro
--	532 18 58-37	Decal Replc Part
--	532 17 12-84	Pad Footrest RH
--	532 17 12-85	Pad Footrest LH
--	532 18 52-00	Manual Owner's (English)
--	532 18 52-01	Manual Owner's (French)

WHEELS & TIRES

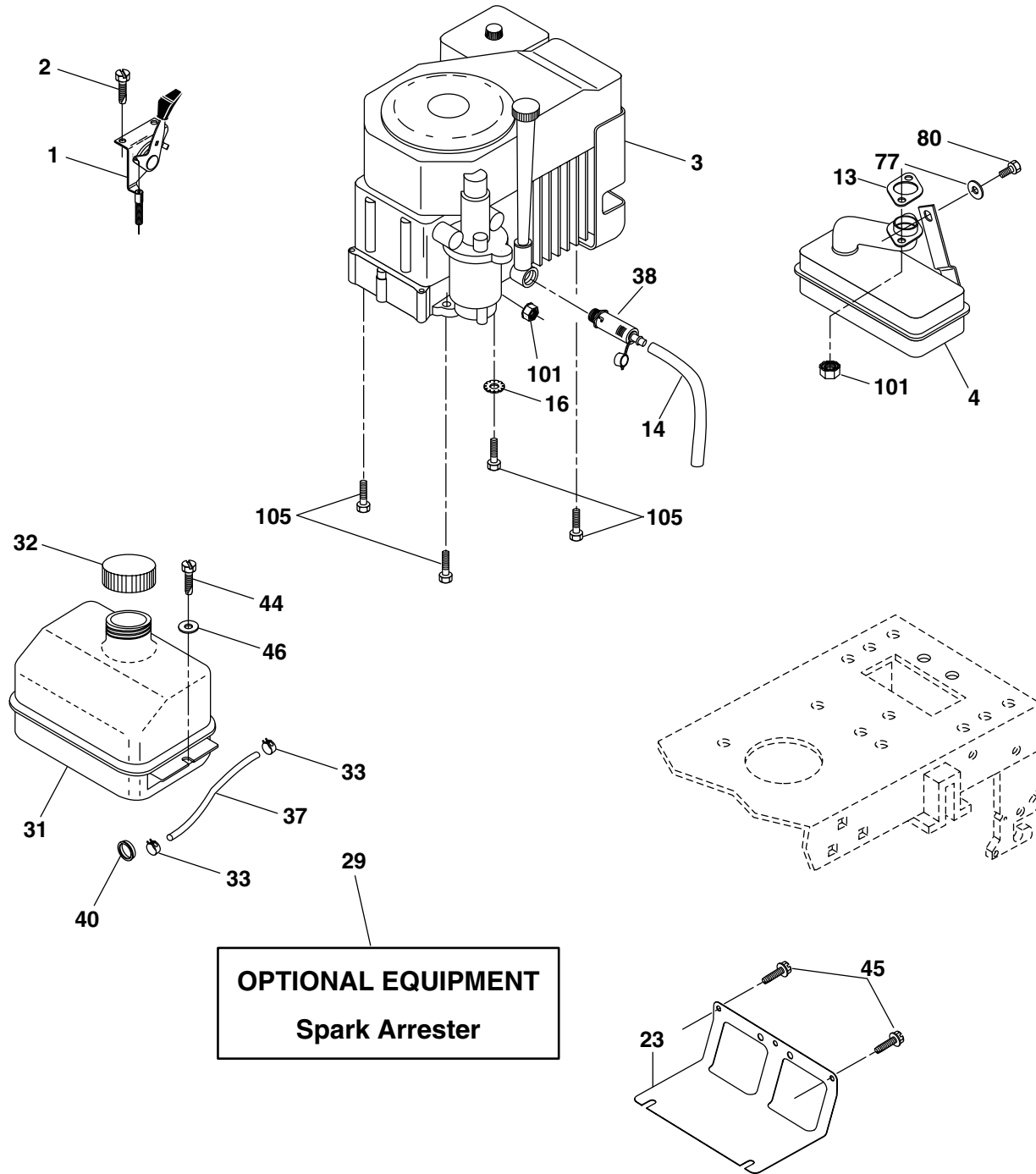


KEY NO.	PART NO.	DESCRIPTION
1	532 05 91-92	Cap Valve Tire
2	532 06 51-39	Stem Valve
3	532 10 62-22	Tire F Ts 15 X 6 0 - 6 Service
4	532 05 99-04	Tube Front (Service Item Only)
5	532 13 83-36	Rim Asm 6"front Silver Service
6	532 12 49-57	Fitting Grease (Front Wheel Only)
7	532 12 49-59	Bearing Flange (Front Wheel Only)
8	532 13 83-37	Rim Asm 8"rear Silver Service
9	532 10 62-68	Tire R Ts 18x9 5-8 C Service
10	532 12 49-26	Tube Rear (Service Item Only)
11	532 17 50-39	Cap Axle Blk 1 50 X 1 00
--	532 14 43-34	Sealant, Tire (10 oz. Tube)

NOTE: All component dimensions given in U.S. inches
1 inch = 25.4 mm

REPAIR PARTS

TRACTOR - - MODEL NO. YTH1842 (YTH1842A), PRODUCT NO. 954 56 97-90
ENGINE



REPAIR PARTS

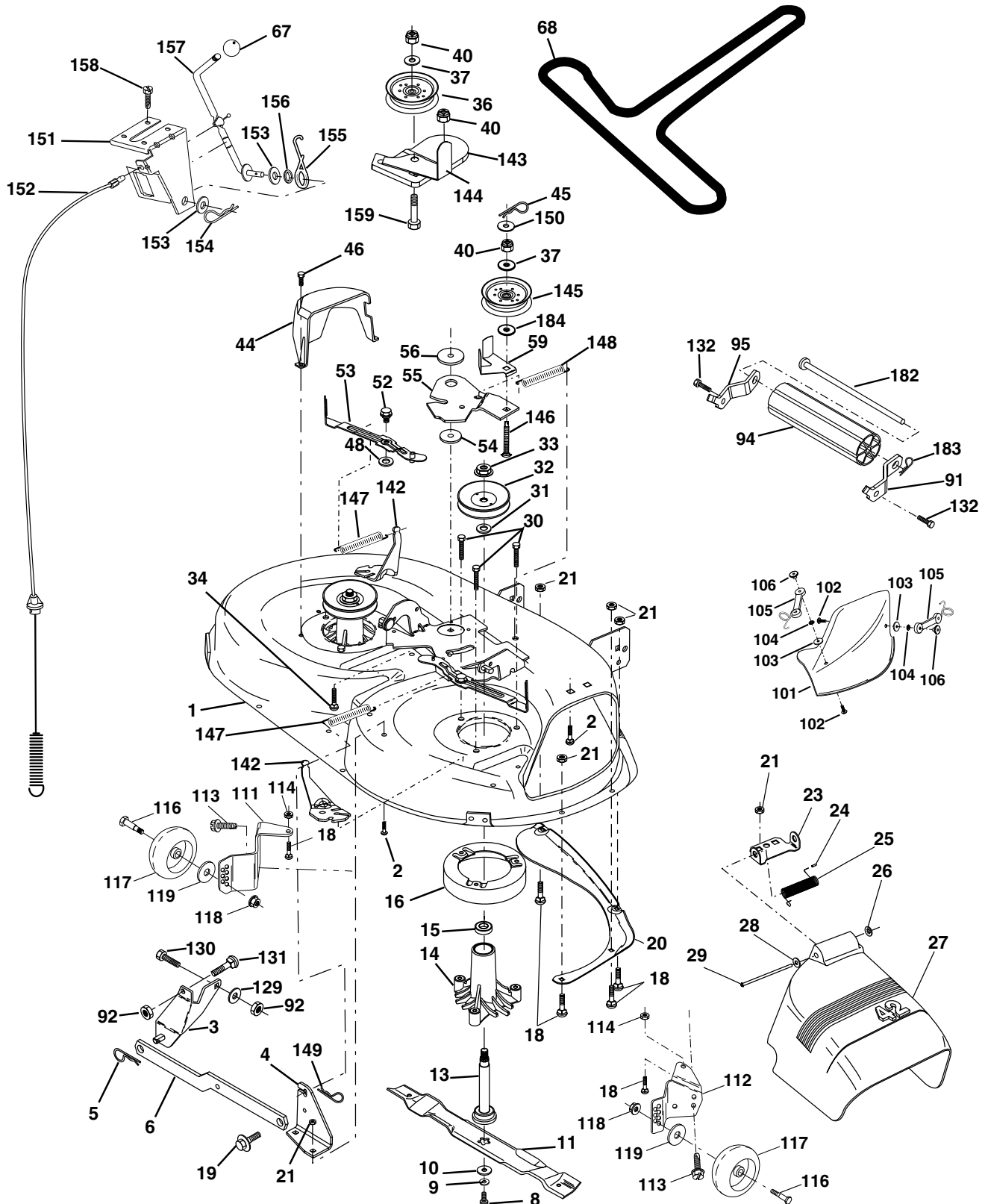
TRACTOR - - MODEL NO. YTH1842 (YTH1842A), PRODUCT NO. 954 56 97-90
ENGINE

KEY NO.	PART NO.	DESCRIPTION
1	532 17 08-05	Control Th/ch Flag
2	817 72 04-08	Screw Hex Thd Cut 1/4-20 x 1/2
3	-----	Engine, Kohl CV492 (Order parts from engine manufacturer)
4	532 17 46-67	Muffler
13	532 16-38-31	Gasket Eng
14	532 14 84-56	Tube Drain Oil Easy
16	811 05 06-00	Washer Lock Ext Tooth 3/8
23	532 16 98-37	Shield Brn/Dbr Guard
29	532 13 71-80	Kit Spark Arrestor (Flat Scrn)
31	532 18 49-00	Tank Fuel Front
32	532 14 05-27	Cap Asm Fuel W/sym Vented
33	532 12 34-87	Clamp Hose Black
37	532 13 70-40	Line Fuel 20"
38	532 18 16-54	Plug Drain Oil Easy
40	532 12 40-28	Bushing Snap Nyl Blk Fuel Line
44	817 67 04-12	Screw Hexwsh Thdrol 1/4-20 x 3/4
45	817 00 06-12	Screw Hexwsh Thdr 3/8-16 x 3/4
46	819 09 14-16	Washer 9/32 x 7/8 x 16 Ga
77	819 10 12-16	Washer 5/16x 3/4 x 16 Ga.
80	874 76 05-08	Bolt Hex Hd 5/16-18 x 1/2
101	532 16 33-05	Nut Flange M8 1.25 N/LK Zinc
105	817 12 06-16	Screw 3/8-16 x 1

NOTE: All component dimensions given in U.S. inches
1 inch = 25.4 mm

REPAIR PARTS

TRACTOR - - MODEL NO. YTH1842 (YTH1842A), PRODUCT NO. 954 56 97-90
MOWER DECK



42_D_man-t-path_stit_3.

REPAIR PARTS

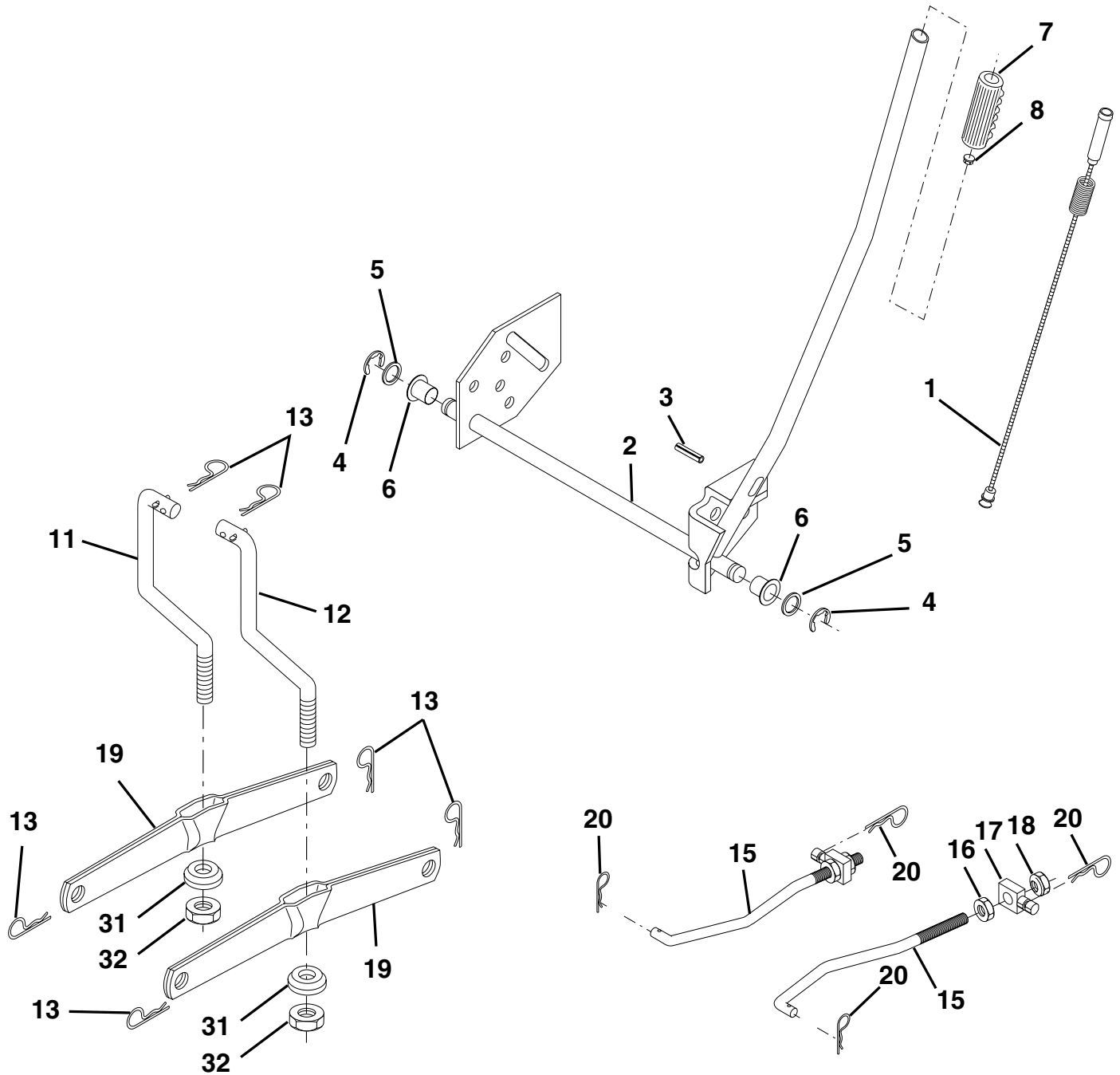
TRACTOR - - MODEL NO. YTH1842 (YTH1842A), PRODUCT NO. 954 56 97-90
MOWER DECK

KEY NO.	PART NO.	DESCRIPTION	KEY NO.	PART NO.	DESCRIPTION
1	532 16 58-92	Deck Asm MWR 42"weldment	91	532 18 05-32	Bracket Roller Nose LH
2	872 14 05-06	Bolt Rdhd Sqnk 5/16-18unc X3/4	92	873 80 06-00	Nut Lock Hex w/Ins. 3/8-16 Unc
3	532 13 80-17	Bracket Asm Fr Sway Bar 38/42	94	532 13 22-64	Roller Nose
4	532 16 54-60	Bracket Asm Deck 42"sway Bar	95	532 18 05-33	Bracket Roller Nose RH
5	532 12 46-70	Retainer Spring	101	532 13 64-20	Cover Mulch 42"
6	532 17 80-24	Deck Sway Bar	102	871 08 10-10	Screw Pan Head Phillip 10-24 x 5/8
8	532 85 08-57	Bolt 3/8 - 24 X 1.25 Gr 8	103	819 06 12-16	Washer #10
9	810 03 06-00	Washer Lock Hvy 3/8	104	810 07 10-00	Washer Lock #10
10	532 14 02-96	Washer Hard Blade Mower Vented (The following blades are available)	105	532 16 07-93	Latch Asm. Mulch
11	532 13 41-49	Blade, 42" Mulching Std (For mulching mowers only)	106	532 12 50-04	Nut Weld #10-24
--	532 13 97-75	Blade, 42" Mulching Premium (For better wear when mulching)	111	532 17 92-92	Bracket Wheel Gauge LH 42" Deck
--	532 13 89-71	Blade, 42" Hi-Lift (For bagging or discharging)	112	532 17 92-93	Bracket Gauge Wheel RH 42" Deck
13	532 13 76-45	Shaft Asm W/lower Bearing	113	817 06 05-10	Screw Tapping 3/8-16 x .625
14	532 12 87-74	Housing Mandrel Vented	114	873 51 05-00	Nut Keps 5/16-18 Unc
15	532 11 04-85	Bearing Ball Mandrel	116	532 12 48-42	Bolt Shoulder
16	532 17 44-93	Stripper Mower	117	532 16 57-46	Wheel Gauge
18	872 14 05-05	Bolt Rdhd Sqnk 5/16-18 X 5/8	118	873 93 06-00	Nut Centerlock 3/8-16 UNC
19	532 13 28-27	Bolt Shoulder	119	819 12 14-14	Washer 3/8 x 7/8 x 14 Ga.
20	532 15 97-70	Baffle Vortex 42	129	819 13 13-12	Washer 13/32 x 13/16 x 12 Ga.
21	873 68 05-00	Nut Crownlock 5/16-18 UNC	130	872 14 06-08	Bolt RdHd Sqnk 3/8-16 Unc x 1
23	532 17 75-63	Bracket Deflector Mower 42"	131	874 78 06-16	Bolt Fin Hex 3/8-16 Unc x 1 Gr. 5
24	532 10 53-04	Cap Sleeve 80x 112 Blk Mower	132	817 00 06-12	Screw Hex Wsh Thdr. 3/8-16 x 3/4
25	532 12 37-13	Spring Torsion Deflector 2 52	142	532 16 58-90	Arm Spring Brake Mower
26	532 11 04-52	Nut Push Phos & Oil	143	532 15 71-09	Bracket Arm Idler 42"
27	532 17 18-59	Shield Deflector Mower 42" Blk	144	532 15 86-34	Keeper Belt 42" Clutch
28	819 11 10-16	Washer 11/32 X 5/8 X 16 Ga	145	532 16 58-88	Pulley Idler Flat
29	532 13 14-91	Rod Hinge 42"6 75 Wlg	146	532 17 19-77	Bolt Carriage Idler
30	532 17 39-84	Screw Thd Rolling	147	532 13 13-35	Spring Extension
31	532 12 99-63	Washer Spacer Mower Vented	148	532 16 90-22	Spring Return Idler
32	532 15 35-35	Pulley Mandrel 42"	149	532 16 58-98	Retainer Spring Yellow
33	532 17 83-42	Nut Toplock Flng	150	819 09 12-16	Washer 9/32 x 3/4 x 16 Ga.
34	872 11 06-14	Bolt Rdhd 3/8-16uncx1-3/4 Gr5	151	532 16 96-70	Bracket Clutch Cable
36	532 13 14-94	Pulley Idler Flat 3 060	152	532 16 96-76	Clutch Cable 42"
37	819 13 13-16	Washer 13/32 X 13/16 X 16	153	532 16 96-74	Washer Flat 3/8" Type B
40	873 68 06-00	Nut Crownlock 3/8-16 UNC	154	532 16 96-75	Spring Retainer
44	532 14 00-88	Guard Mandrel LH Black	155	532 16 96-71	Spring Retention Lvr Cltch Cab
45	532 12 47-88	Spring Retainer 1" Zinc/cad	156	532 16 96-72	Spacer Clutch Cable
46	532 13 77-29	Screw Hex Thd Cut 1/4-20 x 5/8 T	157	532 16 96-69	Rod Clutch Cable 3/8"
48	532 13 39-44	Washer Hardened Smaller	158	817 72 04-08	Screw Hex Thd Cut 1/4-20 x 1/2
52	532 13 98-88	Bolt Shoulder 5/16-18 Unc Blkz	159	872 14 06-14	Bolt Rdhd Sqn 3/8-16 Unc x 1-3/4
53	532 18 49-07	Arm Asm Pad Brake	182	532 17 91-26	Rod Roller Nose
54	532 17 85-15	Washer Hardened	183	532 16 35-52	Retainer Spring
55	532 15 50-46	Arm Idler 42"mower LT/YT	184	819 13 14-10	Washer 13/32 x 7/8 x 10 Ga.
56	532 16 57-23	Spacer Retainer Mower	--	532 13 07-94	Mandrel Assembly(Includes Hous- ing, Shaft and Shaft Hardware Only-Pulley not Included)
59	532 14 10-43	Guard TUV Idler	--	532 16 95-83	Replacement Mower, Complete
67	532 10 69-32	Knob Rd 3/8-16 Plstc Thds Blk			
68	532 14 49-59	V-Belt Mower 42"			

NOTE: All component dimensions given in U.S. inches
1 inch = 25.4 mm

REPAIR PARTS

TRACTOR - - MODEL NO. YTH1842 (YTH1842A), PRODUCT NO. 954 56 97-90
MOWER LIFT



REPAIR PARTS

TRACTOR - - MODEL NO. YTH1842 (YTH1842A), PRODUCT NO. 954 56 97-90
MOWER LIFT

KEY NO.	PART NO.	DESCRIPTION
1	532 15 94-60	Wire Asm Inner W/plunger LT
2	532 15 94-71	Shaft Asm Lift
3	532 10 57-67	Pin Groove
4	812 00 00-02	E Ring #5133-62
5	819 21 16-21	Washer PLTD 21/32 X 1 X 21ga
6	532 12 01-83	Bearing Nylon Blk 629 Id
7	532 10 94-13	Grip Handle Bicycle
8	532 12 45-26	Button Plunger Black
11	532 13 98-65	Link Lift LH
12	532 13 98-66	Link Lift RH
13	532 12 46-70	Retainer Spring
15	532 17 32-88	Link Front
16	873 35 08-00	Nut Jam Hex 1/2-13 Unc
17	532 17 56-89	Trunnion
18	873 80 08-00	Nut Lock W/Wsh 1/2-13 Unc
19	532 13 98-68	Arm Suspension Rear
20	532 16 35-52	Spring, Retainer
31	532 16 98-65	Bearing Pvt. Lift
32	873 54 06-00	Nut Crownlock 3/8-24

NOTE: All component dimensions given in U.S. inches
1 inch = 25.4 mm