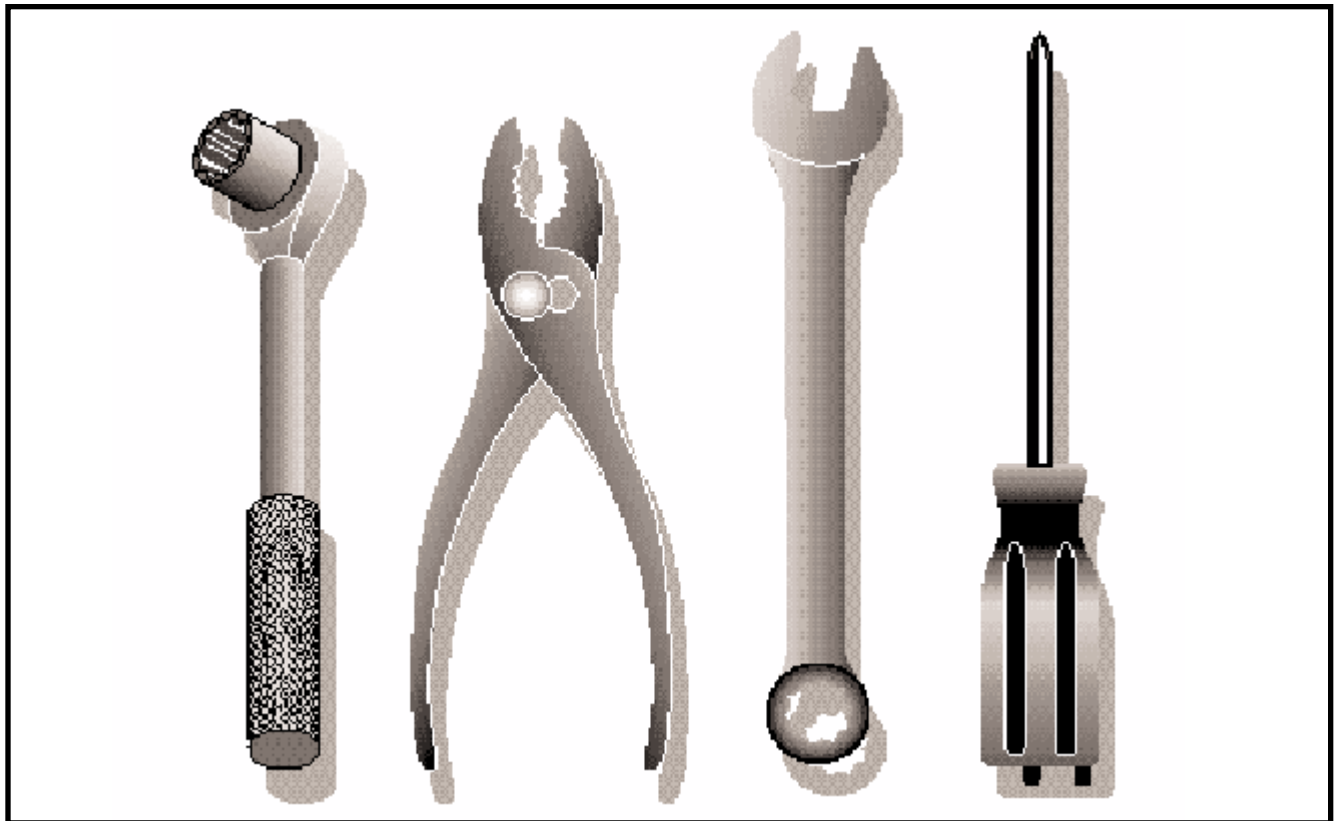




| | |
|---------------------------|----------|
| Illustrated Parts List | 2002-11 |
| | 10202028 |

LT 1538 A

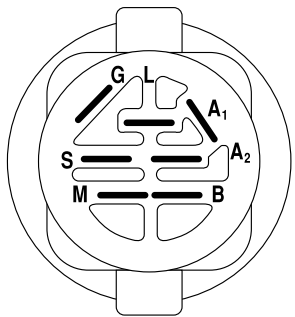
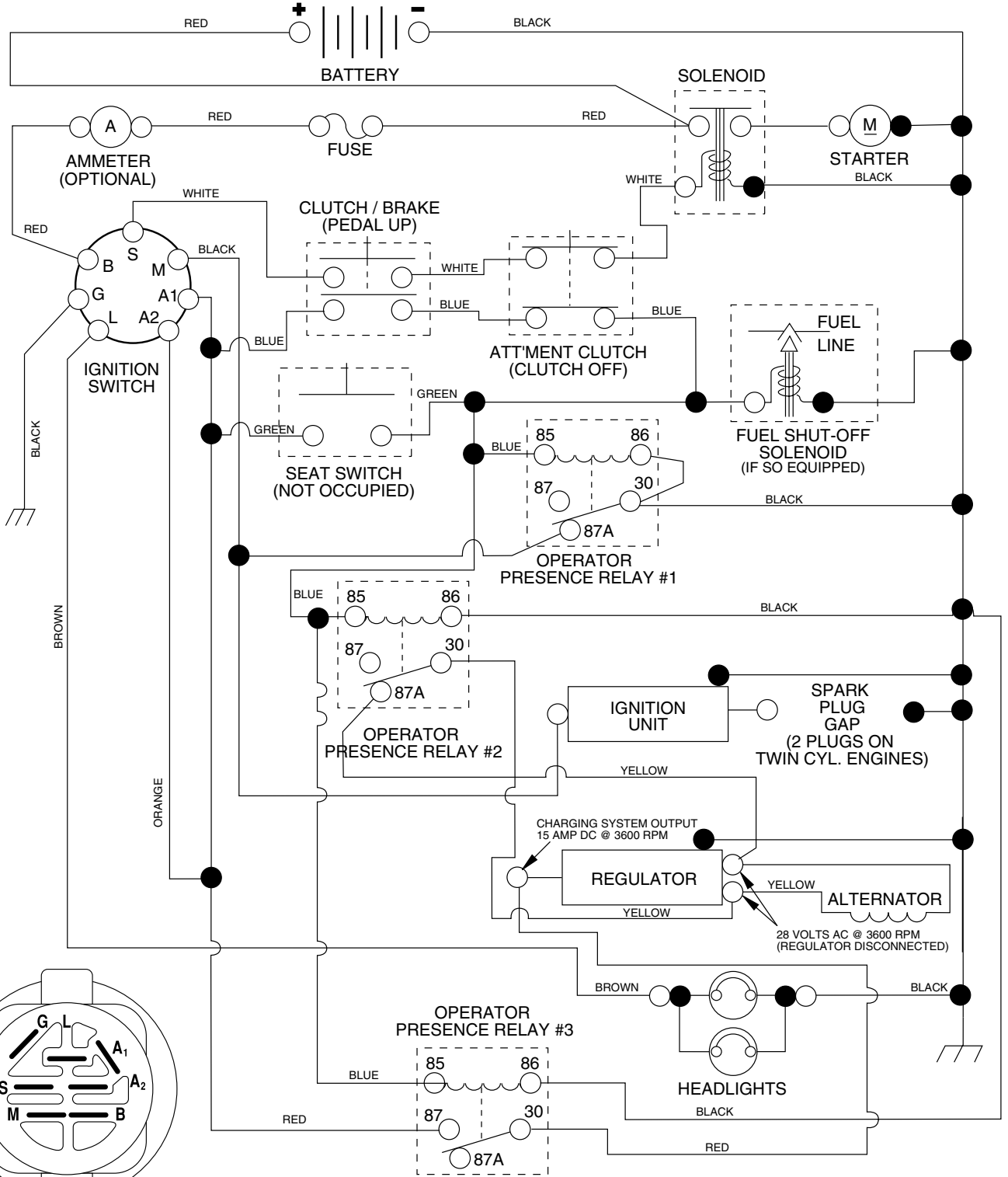
954569776



Repair Parts Manual

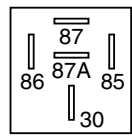
Ride Mower

For Husqvarna Parts Call 606-678-9623 or 606-561-4983
TRACTOR - - MODEL NO. LT1538 (LT1538A), PRODUCT NO. 954 56 97-76
SCHEMATIC



IGNITION SWITCH

| POSITION | CIRCUIT | "MAKE" |
|-----------|------------|--------|
| OFF | M+G+A1 | NONE |
| RUN/LIGHT | B+A1 | A2+L |
| RUN | B+A1 | NONE |
| START | B + S + A1 | NONE |



RELAY

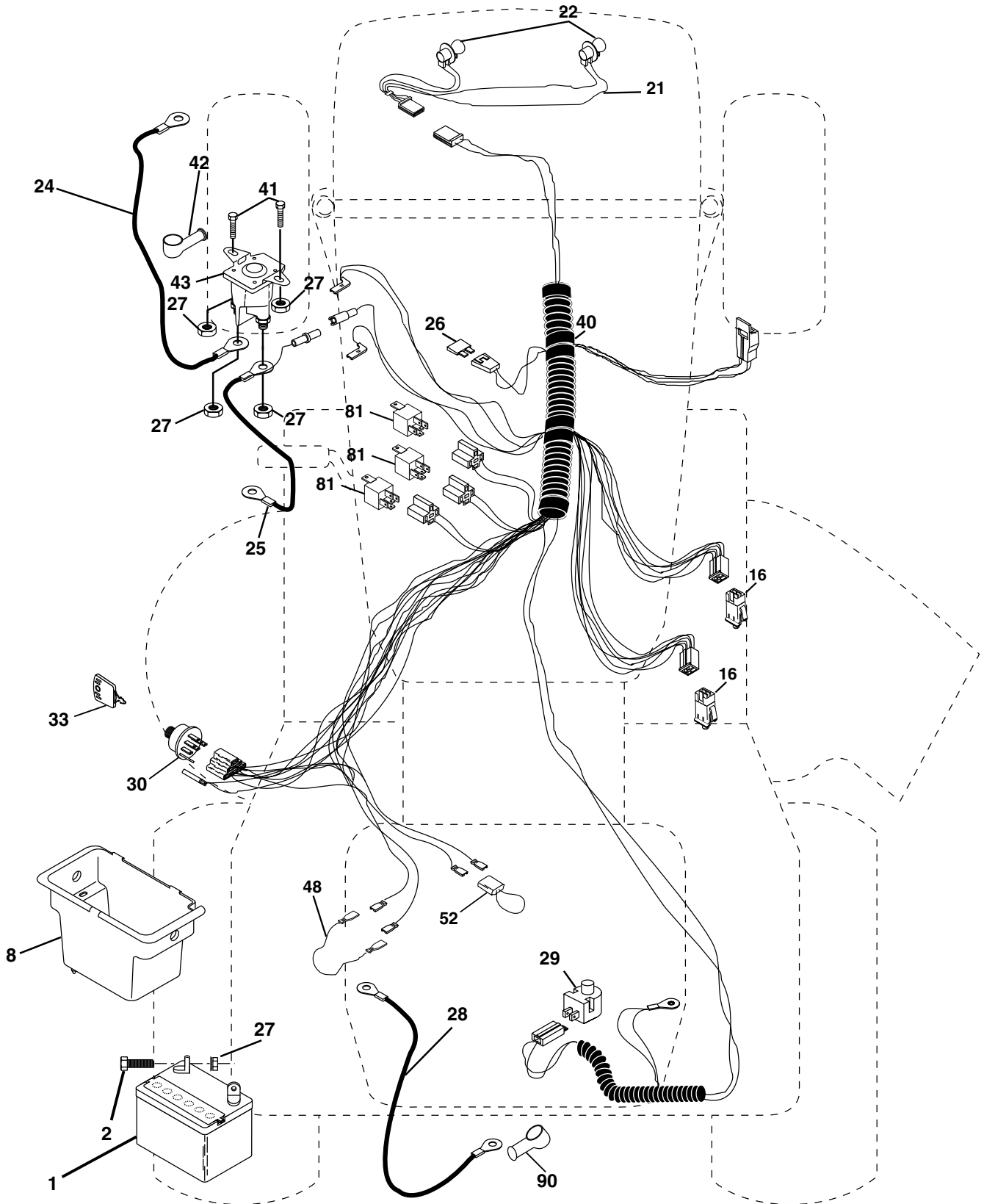


WIRING INSULATED CLIPS

NOTE: IF WIRING INSULATED CLIPS WERE REMOVED FOR SERVICING OF UNIT, THEY SHOULD BE REPLACED TO PROPERLY SECURE YOUR WIRING.

REPAIR PARTS

TRACTOR - - MODEL NO. LT1538 (LT1538A), PRODUCT NO. 954 56 97-76
ELECTRICAL



REPAIR PARTS

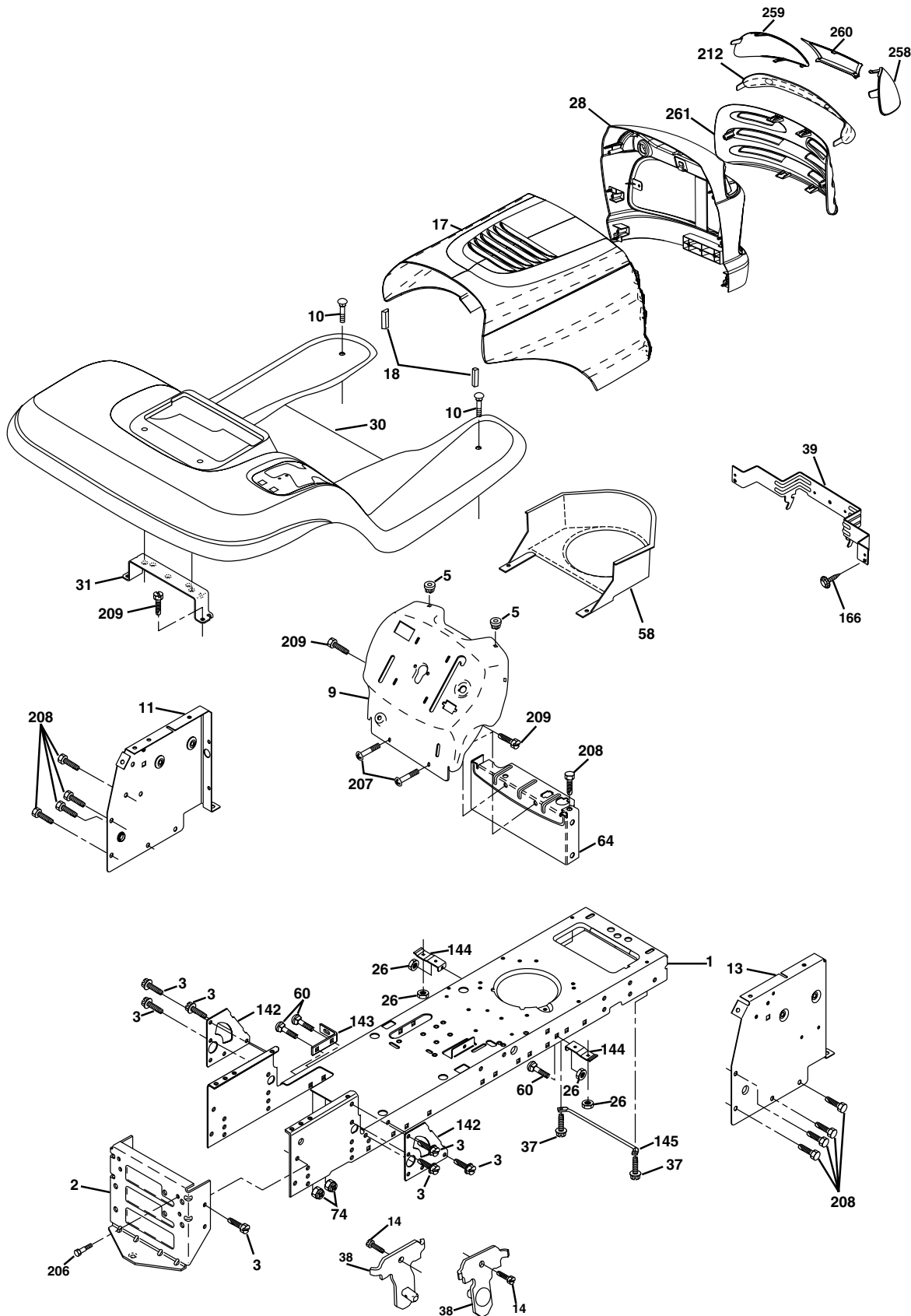
TRACTOR - - MODEL NO. LT1538 (LT1538A), PRODUCT NO. 954 56 97-76
ELECTRICAL

| KEY NO. | PART NO. | DESCRIPTION |
|---------|--------------|--------------------------------------|
| 1 | 532 16 34-65 | Battery 12 Volt 28 AMP |
| 2 | 874 76 04-12 | Bolt Hex Hd 1/4-20unc X 3/4 |
| 8 | 532 17 66-89 | Battery Box |
| 16 | 532 17 61-37 | Switch Interlock Push-In |
| 21 | 532 17 56-88 | Harness Asm Light W/4152j |
| 22 | 532 00 41-52 | Bulb Light #1156 |
| 24 | 532 12 47-80 | Cable Battery 6 Ga 11" red |
| 25 | 532 14 61-47 | Cable Battery 6 Ga 44" red w/16 wire |
| 26 | 532 17 51-58 | Fuse 20 AMP |
| 27 | 873 51 04-00 | Nut Keps Hex 1/4-20 Unc |
| 28 | 532 12 47-73 | Cable Ground 6 Ga 12" black |
| 29 | 532 16 07-84 | Switch Plunger |
| 30 | 532 17 55-66 | Switch Ign |
| 33 | 532 14 04-01 | Key Ign |
| 40 | 532 17 97-22 | Harness Ign. |
| 41 | 871 11 04-08 | Bolt Blk Fin Hex 1/4 - 20 x 1/2 |
| 42 | 532 13 15-63 | Cover Terminal Red |
| 43 | 532 17 88-61 | Solenoid |
| 48 | 532 14 08-44 | Adapter Ammeter |
| 52 | 532 14 19-40 | Protection Wire Loop |
| 81 | 532 10 97-48 | Relay Asm. |
| 90 | 532 18 04-49 | Cover Terminal |

NOTE: All component dimensions given in U.S. inches.
1 inch = 25.4 mm.

REPAIR PARTS

TRACTOR - - MODEL NO. LT1538 (LT1538A), PRODUCT NO. 954 56 97-76
CHASSIS AND ENCLOSURES



REPAIR PARTS

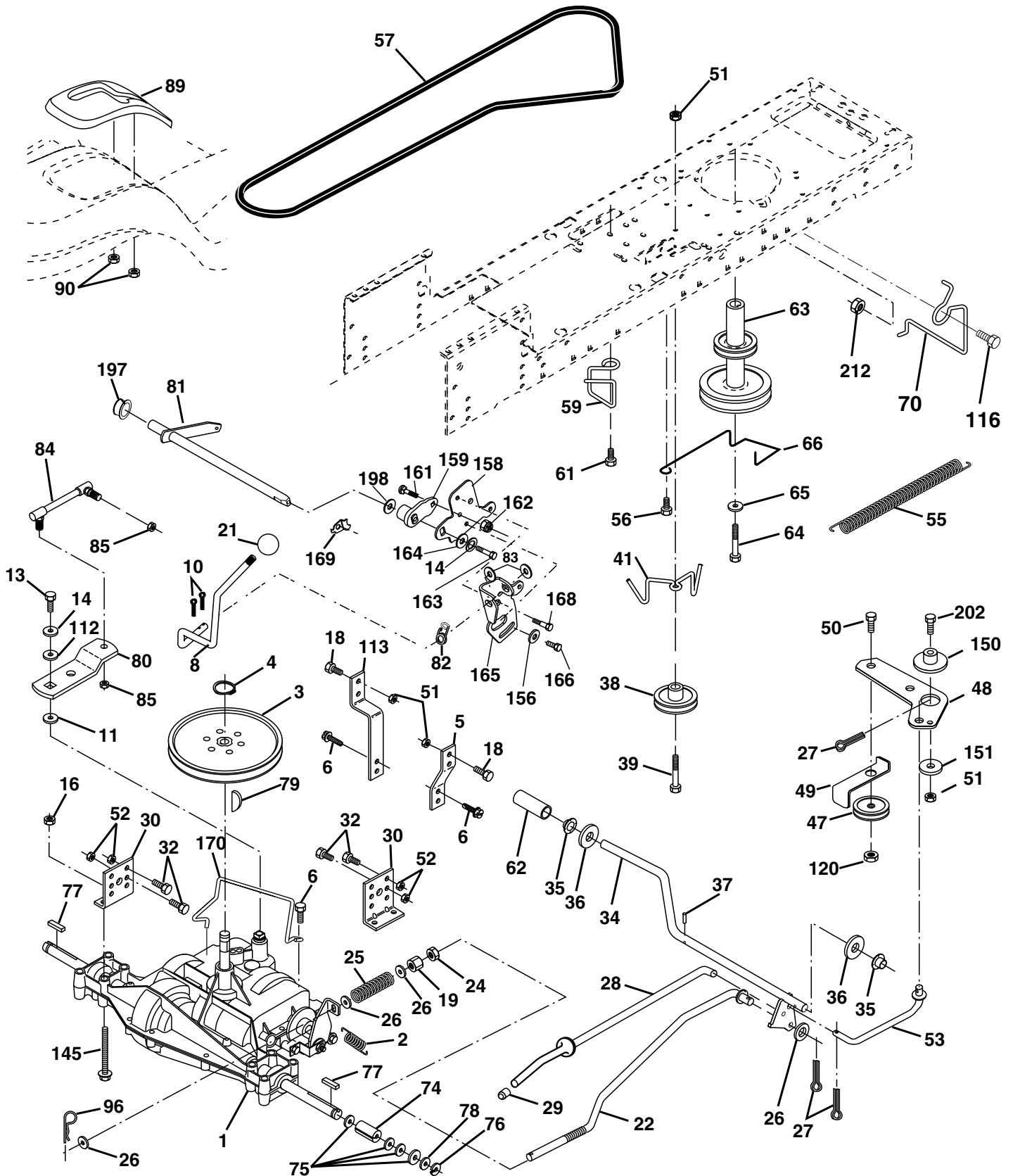
**TRACTOR - - MODEL NO. LT1538 (LT1538A), PRODUCT NO. 954 56 97-76
CHASSIS AND ENCLOSURES**

| KEY NO. | PART NO. | DESCRIPTION |
|---------|--------------|----------------------------------|
| 1 | 532 17 46-19 | Chassis Stamping |
| 2 | 532 17 65-54 | Drawbar, 12 Ga. |
| 3 | 817 06 06-12 | Screw 3/8-16 x 3/4 |
| 5 | 532 15 52-72 | Bumper Hood/Dash |
| 9 | 532 18 58-66 | Dash Slkscr |
| 10 | 872 14 06-08 | Bolt Carriage 3/8-16 x 1 |
| 11 | 532 17 49-96 | Panel Dash Lh |
| 13 | 532 18 17-19 | Panel Dash Rh |
| 14 | 817 49 06-08 | Screw Thdrol 3/8-16 x 1/2 |
| 17 | 532 18 52-11 | Hood LT/PL |
| 18 | 532 18 49-21 | Bumper Hood |
| 26 | 873 80 06-00 | Nut Lock Hex W/Ins 3/8-16 Unc |
| 28 | 532 18 52-92 | Grille/Lens Asm |
| 30 | 532 18 05-07 | Fender Footrest |
| 31 | 532 13 99-76 | Bracket Fender |
| 37 | 817 49 05-08 | Screw Thdrol 6/16-18 x 1/2 TYT |
| 38 | 532 17 57-10 | Bracket Asm Pivot Mower Rear |
| 39 | 532 17 47-14 | Bracket Pivot |
| 58 | 532 15 01-27 | Air Duct Engine P/L |
| 60 | 872 14 06-06 | Bolt RdHd Sqnk 3/8-16 x 3/4 |
| 64 | 532 15 47-98 | Dash Lower STLT |
| 74 | 873 68 06-00 | Nut Crownlock 3/8-16 |
| 142 | 532 17 57-02 | Plate Reinforcement STLT |
| 143 | 532 15 49-66 | Bracket Swaybar Chassis |
| 144 | 532 17 55-82 | Bracket Footrest |
| 145 | 532 15 65-24 | Rod Pivot Chassis/Hood |
| 166 | 532 17 18-75 | Screw HWHD Hi-Lo #13-16 x 3/4 |
| 206 | 532 17 01-65 | Bolt Shoulder 5/16-18 TT |
| 207 | 817 67 05-08 | Screw Thdrol 5/16-18 x 1/2 |
| 208 | 817 67 06-08 | Screw Thdrol 3/8-16x1/2 Ty-tt |
| 209 | 817 00 06-12 | Screw Hex Wsh Thdr. 3/8-16 x 3/4 |
| 212 | 532 18 35-48 | Insert Lens Reflective |
| 258 | 532 18 52-14 | Lens Husq. Laser LT Clear RH |
| 259 | 532 18 52-13 | Lens Husq. Lens LT Clear LH |
| 260 | 532 18 54-29 | Cover Lens Husq. Laser |
| 261 | 532 18 54-33 | Insert Grille |
| -- | 532 00 54-79 | Plug Button |

NOTE: All component dimensions given in U.S. inches
1 inch = 25.4 mm

REPAIR PARTS

TRACTOR - - MODEL NO. LT1538 (LT1538A), PRODUCT NO. 954 56 97-76
DRIVE



REPAIR PARTS

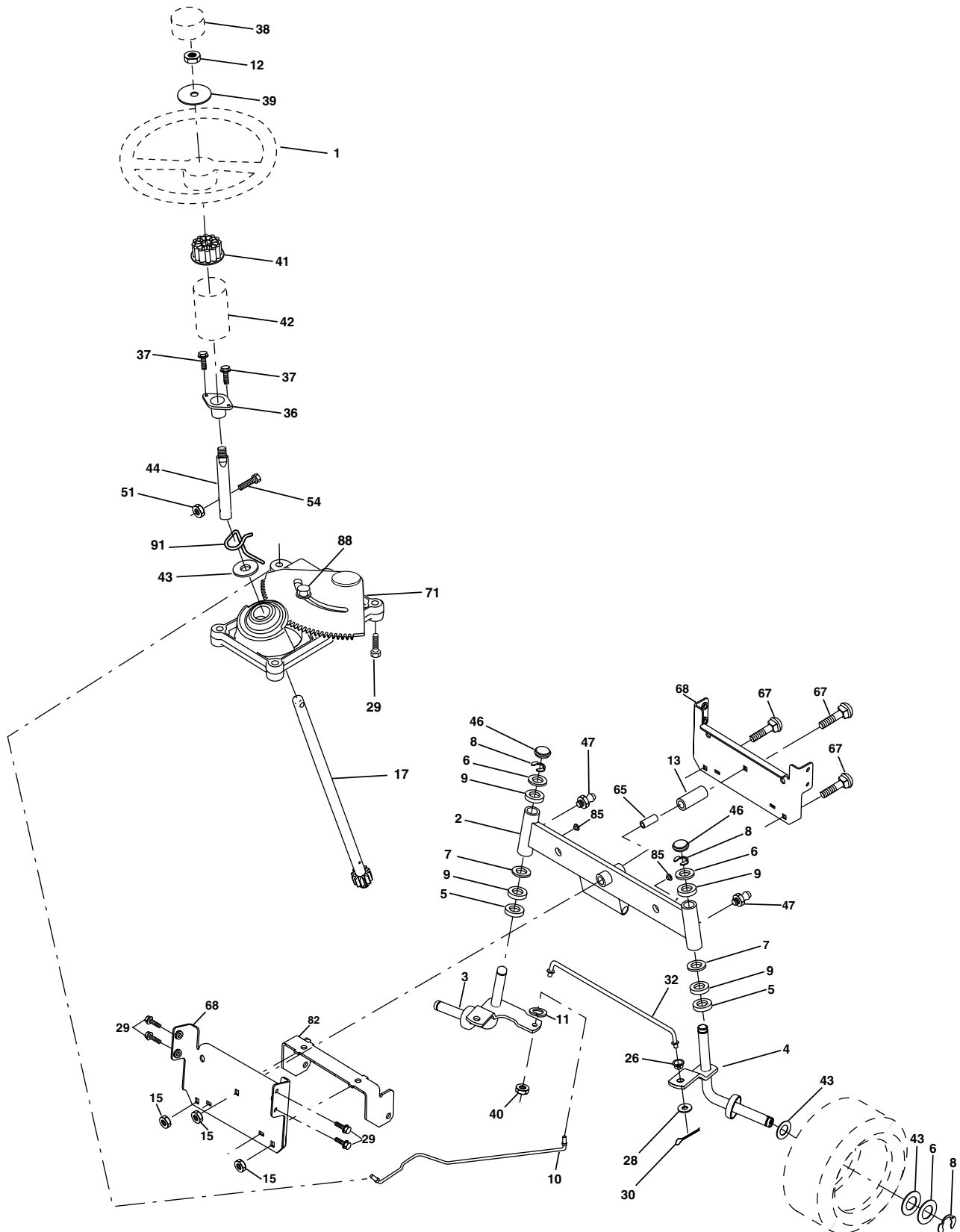
TRACTOR - - MODEL NO. LT1538 (LT1538A), PRODUCT NO. 954 56 97-76
DRIVE

| KEY NO. | PART NO. | DESCRIPTION | KEY NO. | PART NO. | DESCRIPTION |
|---------|--------------|--|---------|--------------|----------------------------------|
| 1 | ----- | Transaxle Peerless 206-545C Order parts from transaxle manufacturer | 63 | 532 17 54-10 | Engine Pulley LT/YT |
| 2 | 532 14 66-82 | Spring Return Brake T/a Zinc | 64 | 871 17 07-64 | Bolt Hex |
| 3 | 532 12 36-66 | Pulley Transaxle 18" tires | 65 | 810 04 07-00 | Washer Lock Hvy Hlcl Spr 7/16 |
| 4 | 812 00 00-28 | Ring Retainer # 5100-62 | 66 | 532 15 47-78 | Keeper Belt Engine Foolproof |
| 5 | 532 12 15-20 | Strap Torque 30 Degrees | 70 | 532 13 46-83 | Guide Belt Mower Drive RH |
| 6 | 817 06 05-12 | Screw Thdrol 5/16-18 | 74 | 532 13 70-57 | Spacer Axle |
| 8 | 532 16 58-66 | Rod Shift Fender Adjust Lt | 75 | 532 12 17-49 | Washer 25/32 X 1 1/4 X 16 Ga |
| 10 | 876 02 04-16 | Pin Cotter 1/8 X 1 Cad | 76 | 812 00 00-01 | E-ring #5133-75 |
| 11 | 532 10 57-01 | Washer Plate Shf 388 Sq Hole | 77 | 532 12 35-83 | Key Square 2 0 X 1845/ 1865 |
| 13 | 874 55 04-12 | Bolt 1/4-28 Unf Gr 8 W/Patch | 78 | 532 12 17-48 | Washer 25/32 X 1-5/8 X 16 Ga |
| 14 | 810 04 04-00 | Washer Lock Hvy Helical | 79 | 532 12 50-96 | Key Woodruff #9 3/16 x 3/4 |
| 16 | 873 80 05-00 | Nut Lock Hex w/lns 5/16-18 | 80 | 532 13 14-86 | Arm Shift |
| 18 | 874 78 06-16 | Bolt, Fin Hex 3/8-16 UNC x 1 Gr. 5 | 81 | 532 16 55-94 | Shaft Asm Cross |
| 19 | 873 80 06-00 | Nut Lock 3/8-16 Unc | 82 | 532 16 57-11 | Spring Torsion T/a |
| 21 | 532 10 69-33 | Knob | 83 | 819 17 12-16 | Washer 17/32 X 3/4 X 16 Ga |
| 22 | 532 13 08-04 | Rod Brake Blk Zinc 26 840 | 84 | 532 16 62-28 | Link Transaxle |
| 24 | 873 35 06-00 | Nut Hex Jam 3/8-16 Unc | 85 | 532 15 03-60 | Nut Lock Center 1/4 - 28 FNTHD |
| 25 | 532 10 68-88 | Spring Rod Brake 2 00 Zinc | 89 | 532 16 65-56 | Console Shift STLT |
| 26 | 819 13 13-16 | Washer 13/32 X 13/16 X 16 Ga | 90 | 532 12 43-46 | Nut Self-thd Wsh-hd 1/4 Zinc |
| 27 | 876 02 04-12 | Pin Cotter 1/8 X 3/4 Cad | 96 | 532 12 47-88 | Retainer Spring 1" |
| 28 | 532 17 57-65 | Rod Brake Parking LT/YT | 112 | 819 09 12-10 | Washer 9/32 x 3/4 x 10 Ga. |
| 29 | 532 07 16-73 | Cap Brake Parking Black | 113 | 532 12 72-85 | Strap Torque LT |
| 30 | 532 17 49-73 | Bracket Mtg Transaxle | 116 | 872 14 06-08 | Bolt Rdhd Sq Neck 3/8-16 x 1.0 |
| 32 | 874 76 05-12 | Bolt Hex Hd 5/16-18unc X 3/4 | 120 | 873 90 06-00 | Nut Lock Flg. 3/8-16 Unc |
| 34 | 532 17 55-78 | Shaft Asm Pedal Foot | 145 | 874 49 05-40 | Bolt Hex 5/16-18 Gr. 5 |
| 35 | 532 12 01-83 | Bearing Nylon Blk 629 Id | 150 | 532 17 54-56 | Spacer |
| 36 | 819 21 16-16 | Washer 21/32 X 1 X 16 Ga | 151 | 819 13 32-10 | Washer 13/32 x 2 x 10 Ga. |
| 37 | 532 12 49-63 | Pin Roll 3/16 X 1" | 156 | 532 16 60-02 | Washer Srrted 5/16ID x 1.125 |
| 38 | 532 17 91-14 | Pulley Idler Composite | 158 | 532 16 55-89 | Bracket Shift Mount |
| 39 | 874 76 06-48 | Bolt Fin Hex 3/8-16 Unc x 3 | 159 | 532 16 54-94 | Hub Tapered Flange Shift Lt |
| 41 | 532 17 55-56 | Keeper Belt Idler Flat | 161 | 872 14 04-06 | Bolt Rdhd Sqnk 1/4-20 x 3/4 Gr 5 |
| 47 | 532 12 77-83 | Pulley Idler V Groove Plastic | 162 | 873 68 04-00 | Nut Crownlock 1/4-20 Unc |
| 48 | 532 15 44-07 | Bellcrank Clutch Grnd Driv | 163 | 874 78 04-16 | Bolt Hex Fin 1/4-20 Unc x 1 Gr 5 |
| 49 | 532 12 32-05 | Retainer Belt Style Spring | 164 | 819 09 10-10 | Washer 5/8 x .281 x 10 Ga |
| 50 | 872 11 06-12 | Bolt Carr. 3/8-16 x 1-1/2 Gr. 5 | 165 | 532 16 56-23 | Bracket Pivot Lever |
| 51 | 873 68 06-00 | Nut Crownlock 3/8-16 Unc | 166 | 532 16 68-80 | Screw 5/16-18 x 5/8 |
| 52 | 873 68 05-00 | Nut Crownlock 5/16-18 Unc | 168 | 532 16 54-92 | Bolt Shoulder 5/16-18 x .561 |
| 53 | 532 10 57-10 | Link Clutch | 169 | 532 16 55-80 | Plate Fastening Lt |
| 55 | 532 10 57-09 | Spring Return Clutch 6 75 | 170 | 532 17 83-94 | Keeper, Belt T/A D/P |
| 56 | 817 06 06-20 | Screw 3/8-16 x 1 1/4 | 197 | 532 16 96-13 | Nyliner Snap-In |
| 57 | 532 13 08-01 | V-Belt Ground Drive 95 25 | 198 | 532 16 95-93 | Washer Nyl 7/8 ID x 105" |
| 59 | 532 16 96-91 | Keeper Belt Span Ctr | 202 | 872 11 06-14 | Bolt RDHD 3/8-16 x 1-3/4 Gr. 5 |
| 61 | 817 12 06-14 | Screw 3/8-16 x .875 | 212 | 532 14 52-12 | Nut, Hex Flange Lock |
| 62 | 532 12 48-72 | Cover Pedal Round | | | |

NOTE: All component dimensions give in U.S. inches.
1 inch = 25.4 mm.

REPAIR PARTS

TRACTOR - - MODEL NO. LT1538 (LT1538A), PRODUCT NO. 954 56 97-76
STEERING ASSEMBLY



REPAIR PARTS

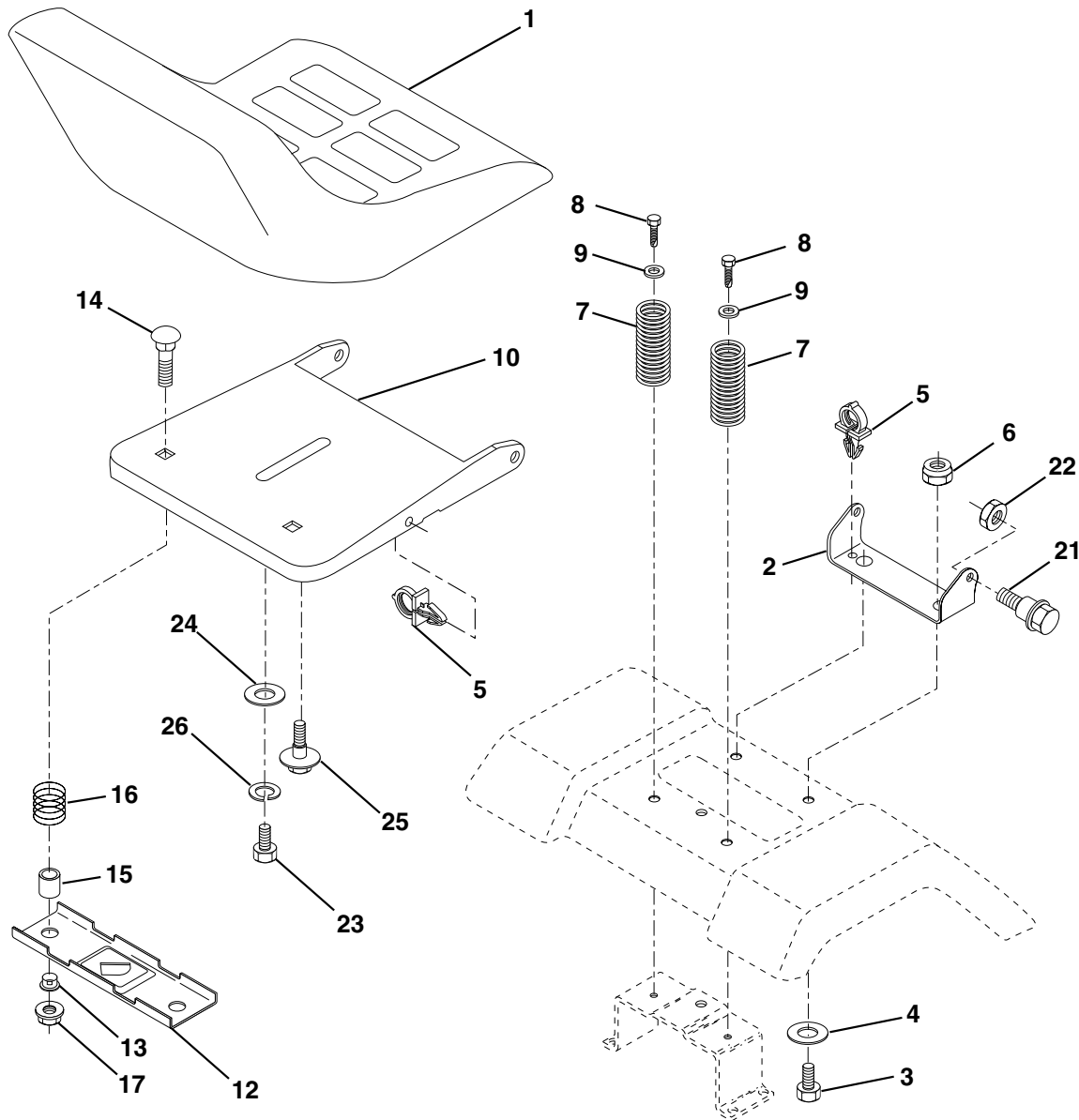
TRACTOR - - MODEL NO. LT1538 (LT1538A), PRODUCT NO. 954 56 97-76
STEERING ASSEMBLY

| KEY NO. | PART NO. | DESCRIPTION |
|---------|--------------|----------------------------------|
| 1 | 532 17 59-04 | Wheel Steering |
| 2 | 532 17 51-31 | Axle Asm |
| 3 | 532 16 98-40 | Spindle Asm LH |
| 4 | 532 16 98-39 | Spindle Asm RH |
| 5 | 532 12 49-31 | Bearing Race Thrust Harden |
| 6 | 532 12 17-48 | Washer 25/32 X 1-5/8 X 16 Ga |
| 7 | 819 27 20-16 | Washer 27/32 X 1-1/4 X 16 Ga |
| 8 | 812 00 00-29 | Ring Klip #t5304-75 |
| 9 | 532 12 49-37 | Bearing Col Strg Blk |
| 10 | 532 17 51-21 | Link Drag |
| 11 | 810 04 06-00 | Washer Lock Hvy Hlcl Spr 3/8 |
| 12 | 873 94 08-00 | Nut Hex Jam Toplock 1/2-20 Unf |
| 13 | 532 13 65-18 | Spacer Brg Axle Front |
| 15 | 532 14 52-12 | Nut Hex Flange Lock |
| 17 | 532 18 06-41 | Shaft Asm Strg |
| 26 | 532 12 68-47 | Bushing Link Drag Blk LR |
| 28 | 819 13 14-16 | Washer 13/32 X 7/8 X 16 Ga |
| 29 | 817 06 06-12 | Screw 3/8-16x3/4 |
| 30 | 876 02 04-12 | Pin Cotter 1/8 X 3/4 Cad |
| 32 | 532 13 04-65 | Rod Tie Wire Form 19 75 Mech |
| 36 | 532 15 50-99 | Bushing Strg |
| 37 | 532 15 29-27 | Screw |
| 38 | 532 17 59-05 | Cap Wheel Steering |
| 39 | 819 18 38-12 | Washer 9/16 ID x 2-3/8 OD 12 Ga. |
| 40 | 532 12 47-01 | Lock nut |
| 41 | 532 10 07-11 | Adaptor Wheel Strg |
| 42 | 532 16 96-33 | Boot Steering Shaft |
| 43 | 532 12 17-49 | Washer 25/32 X 1 1/4 X 16 Ga |
| 44 | 532 18 06-40 | Extension Steering Shaft |
| 46 | 532 12 12-32 | Cap Spindle Fr Top Blk |
| 47 | 532 18 32-26 | Fitting Grease |
| 51 | 873 54 04-00 | Nut Crownlock 1/4-28 |
| 54 | 871 13 04-20 | Bolt Hex 1/4-28 Unf x 1-1/4 |
| 65 | 532 16 03-67 | Spacer Brace Axle |
| 67 | 872 14 06-18 | Bolt Rdhd Sq 3/8-16 x 2-1/4 |
| 68 | 532 16 98-27 | Axle, Brace |
| 71 | 532 17 51-46 | Steering Asm |
| 82 | 532 16 98-35 | Bracket Susp Chassis Front |
| 85 | 532 13 38-35 | Fastner Christmas Tree |
| 88 | 532 17 51-18 | Bolt Shoulder 7/16-20 |
| 91 | 532 17 55-53 | Clip Steering |

NOTE: All component dimensions given in U.S. inches.
1 inch = 25.4 mm.

REPAIR PARTS

TRACTOR - - MODEL NO. LT1538 (LT1538A), PRODUCT NO. 954 56 97-76
SEAT ASSEMBLY



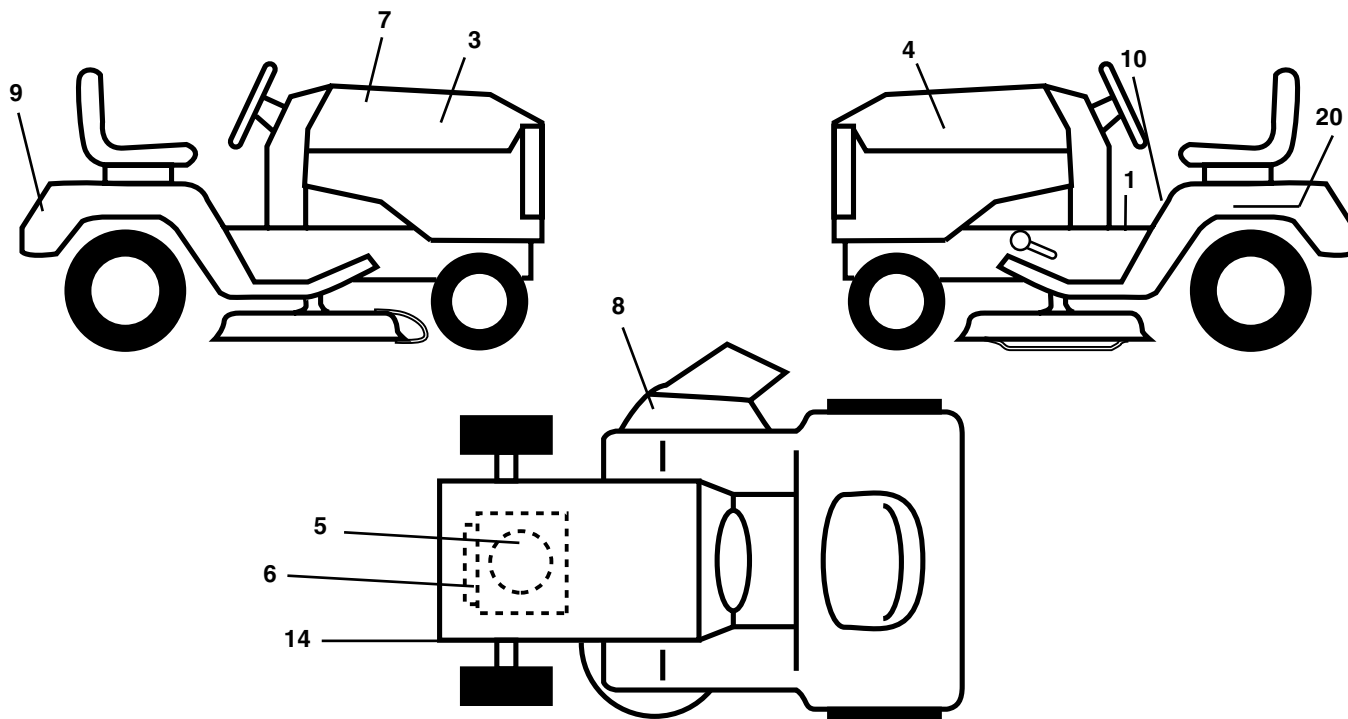
| KEY NO. | PART NO. | DESCRIPTION |
|---------|--------------|--------------------------------|
| 1 | 532 14 01-16 | Seat |
| 2 | 532 14 05-51 | Bracket Pivot Seat 8 720 |
| 3 | 871 11 06-16 | Bolt Fin Hex 3/8-16unc X 1 |
| 4 | 819 13 16-10 | Washer 13/32 X 1 X 10 Ga |
| 5 | 532 14 50-06 | Clip Push-In |
| 6 | 873 80 06-00 | Nut Hex w/Ins. 3/8-16 Unc |
| 7 | 532 12 41-81 | Spring Seat Cprsn 2 250 Blk Zi |
| 8 | 817 00 06-16 | Screw 3/8-16 X 1 |
| 9 | 819 13 16-14 | Washer 13/32 X 1 X 14 Ga. |
| 10 | 532 18 24-93 | Pan Seat |
| 12 | 532 12 12-46 | Bracket Mounting Switch |
| 13 | 532 12 12-48 | Bushing Snap Blk Nyl 50 Id |

| KEY NO. | PART NO. | DESCRIPTION |
|---------|--------------|--------------------------------|
| 14 | 872 05 04-12 | Bolt Rdhd Sqnk 1/4-20x1-1/2 |
| 15 | 532 13 43-00 | Spacer Split 28x 96 Yel Zinc |
| 16 | 532 12 12-50 | Spring Cprsn 1 27 Blk Pnt |
| 17 | 532 12 39-76 | Nut Lock 1/4 Lge Flg Gr 5 Zinc |
| 21 | 532 17 18-52 | Bolt Shoulder 5/16-18 Unc-2A |
| 22 | 873 80 05-00 | Nut Hex Lock W/Ins 5/16-18 |
| 23 | 871 11 08-14 | Bolt, Hex Black |
| 24 | 819 17 19-12 | Washer 17/32 X 1-3/16 X 12 Ga. |
| 25 | 532 12 70-18 | Bolt Shoulder 5/16-18 X 62 |
| 26 | 810 04 08-00 | Washer Lock |

NOTE: All component dimensions given in U.S. inches.
1 inch = 25.4 mm

REPAIR PARTS

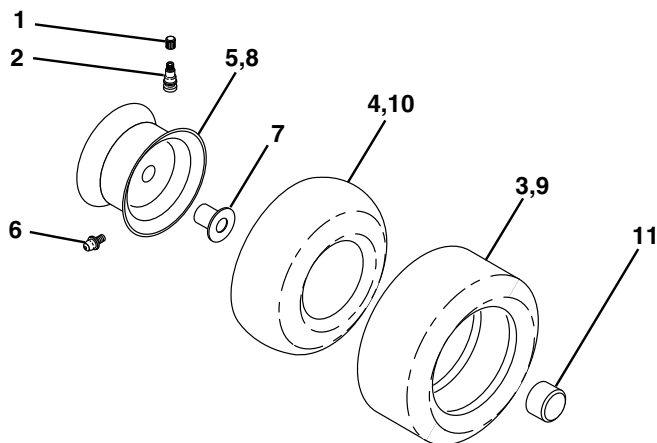
TRACTOR - - MODEL NO. LT1538 (LT1538A), PRODUCT NO. 954 56 97-76
DECALS



| KEY NO. | PART NO. | DESCRIPTION |
|---------|--------------|------------------------------|
| 1 | 532 15 63-69 | Decal Oper. Step Thru Eng/Fr |
| 3 | 532 18 51-92 | Decal Hood RH |
| 4 | 532 18 51-93 | Decal Hood LH |
| 5 | 532 18 09-41 | Decal Hood Cust. |
| 6 | 532 18 58-35 | Decal Engine |
| 7 | 532 18 51-44 | Decal Replacement |
| 8 | 532 17 05-63 | Decal Warning |
| 9 | 532 17 68-22 | Decal Fender |

| KEY NO. | PART NO. | DESCRIPTION |
|---------|--------------|--------------------------------|
| 10 | 532 15 71-40 | Decal Fender Danger Eng/Fr |
| 14 | 532 13 68-32 | Decal V-Belt Schematic |
| 20 | 532 14 50-05 | Decal Bat Dan/Psn |
| -- | 532 13 83-11 | Decal Handle Lft Height Adjust |
| -- | 532 17 12-85 | Pad Footrest RH |
| -- | 532 17 12-84 | Pad Footrest LH |
| -- | 532 18 43-98 | Manual Owner's (English) |
| -- | 532 18 43-99 | Manual Owner's (French) |

WHEELS & TIRES

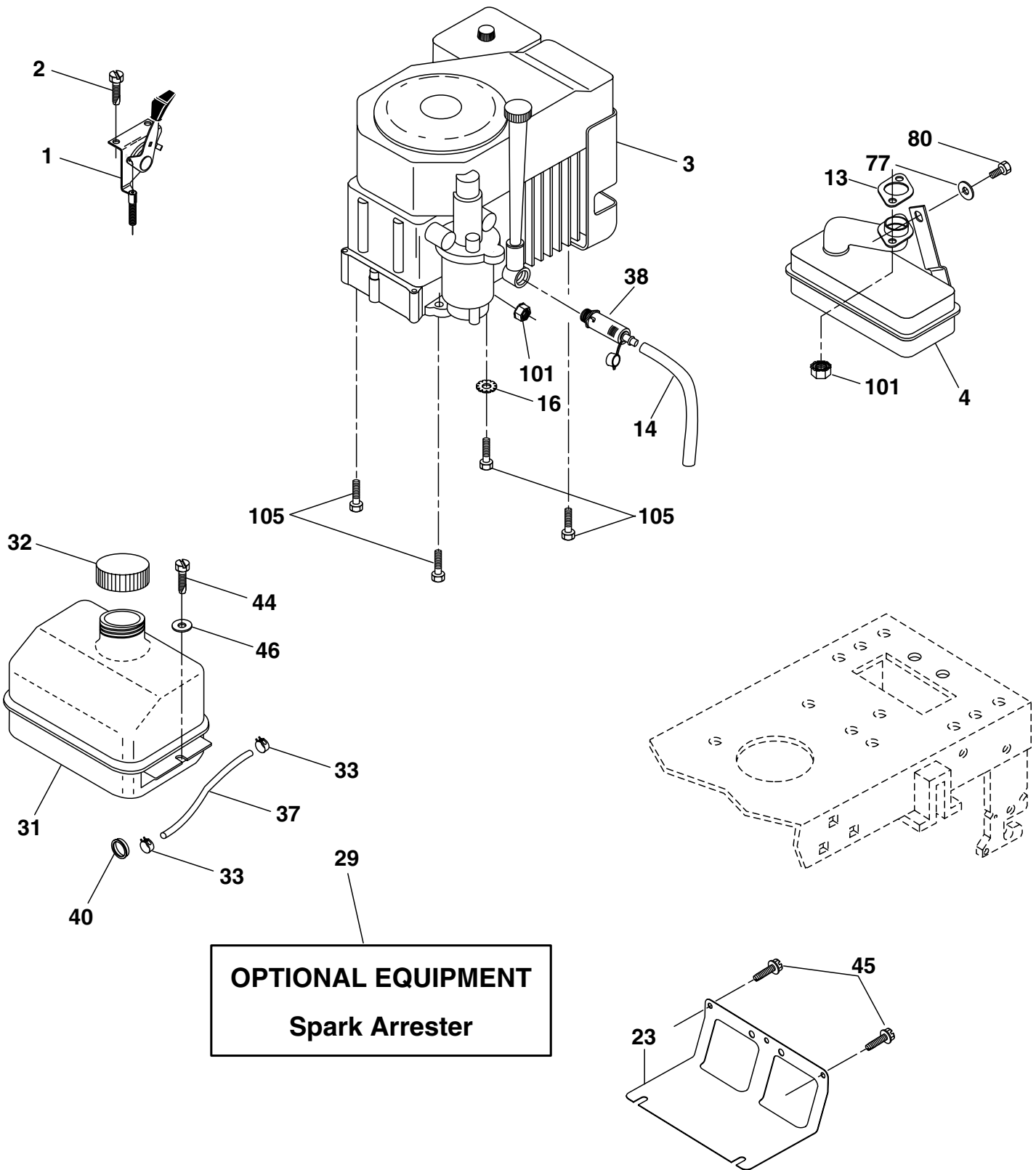


| KEY NO. | PART NO. | DESCRIPTION |
|---------|--------------|-----------------------------------|
| 1 | 532 05 91-92 | Cap Valve Tire |
| 2 | 532 06 51-39 | Stem Valve |
| 3 | 532 10 62-22 | Tire F Ts 15 X 6 0 - 6 Service |
| 4 | 532 05 99-04 | Tube Front (Service Item Only) |
| 5 | 532 13 83-36 | Rim Asm 6"front Silver Service |
| 6 | 532 12 49-57 | Fitting Grease (Front Wheel Only) |
| 7 | 532 12 49-59 | Bearing Flange (Front Wheel Only) |
| 8 | 532 13 83-37 | Rim Asm 8"rear Silver Service |
| 9 | 532 12 46-35 | Tire R Ts 18 x 8 5-8 C Service |
| 10 | 532 12 49-26 | Tube Rear (Service Item Only) |
| 11 | 532 17 50-39 | Cap Axle Blk 1 50 X 1 00 |
| -- | 532 14 43-34 | Sealant, Tire (10 oz. Tube) |

NOTE: All component dimensions given in U.S. inches
1 inch = 25.4 mm

REPAIR PARTS

TRACTOR - - MODEL NO. LT1538 (LT1538A), PRODUCT NO. 954 56 97-76
ENGINE



REPAIR PARTS

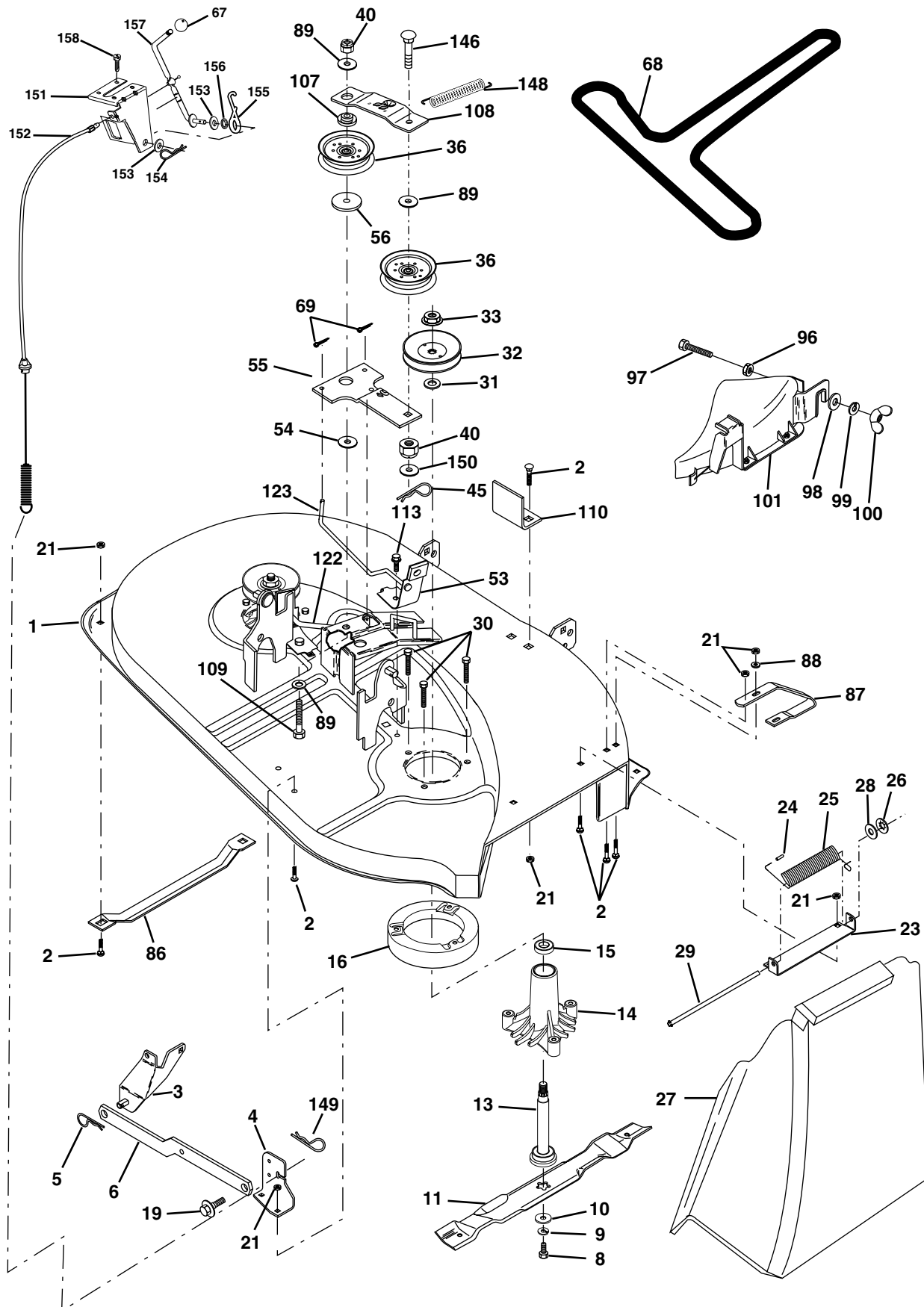
**TRACTOR - - MODEL NO. LT1538 (LT1538A), PRODUCT NO. 954 56 97-76
ENGINE**

| KEY NO. | PART NO. | DESCRIPTION |
|---------|--------------|---|
| 1 | 532 17 08-05 | Control Th/ch Flag |
| 2 | 817 72 04-08 | Screw Hex Thd Cut 1/4-20 x 1/2 |
| 3 | ----- | Engine, Kohl CV15 (Order parts from engine manufacturer) |
| 4 | 532 15 94-20 | Muffler |
| 13 | 532 16 38-31 | Gasket Eng |
| 14 | 532 14 84-56 | Tube Drain Oil Easy |
| 16 | 811 05 06-00 | Washer Lock Ext Tooth 3/8 |
| 23 | 532 16 98-37 | Shield Brn/Dbr Guard |
| 29 | 532 13 71-80 | Kit Spark Arrestor (Flat Scrn) |
| 31 | 532 10 92-02 | Tank Fuel Front |
| 32 | 532 14 05-27 | Cap Asm Fuel W/sym Vented |
| 33 | 532 12 34-87 | Clamp Hose Black |
| 37 | 532 13 70-40 | Line Fuel 20" |
| 38 | 532 18 16-54 | Plug Drain Oil Easy |
| 40 | 532 12 40-28 | Bushing Snap Nyl Blk Fuel Line |
| 44 | 817 67 04-12 | Screw Hexwsh Thdrol 1/4-20 x 3/4 |
| 45 | 817 00 06-12 | Screw Hexwsh Thdr 3/8-16 x 3/4 |
| 46 | 819 09 14-16 | Washer 9/32 x 7/8 x 16 Ga |
| 77 | 819 10 12-16 | Washer 5/16 x 3/4 x 16 Ga. |
| 80 | 874 76 05-08 | Bolt Hex Hd 5/16-18 x Unc x 1/2 |
| 101 | 532 16 33-05 | Nut Flange M8-1.25 |
| 105 | 817 12 06-16 | Screw 3/8-16 x 1 |

NOTE: All component dimensions given in U.S. inches
1 inch = 25.4 mm

REPAIR PARTS

TRACTOR - - MODEL NO. LT1538 (LT1538A), PRODUCT NO. 954 56 97-76
MOWER DECK



REPAIR PARTS

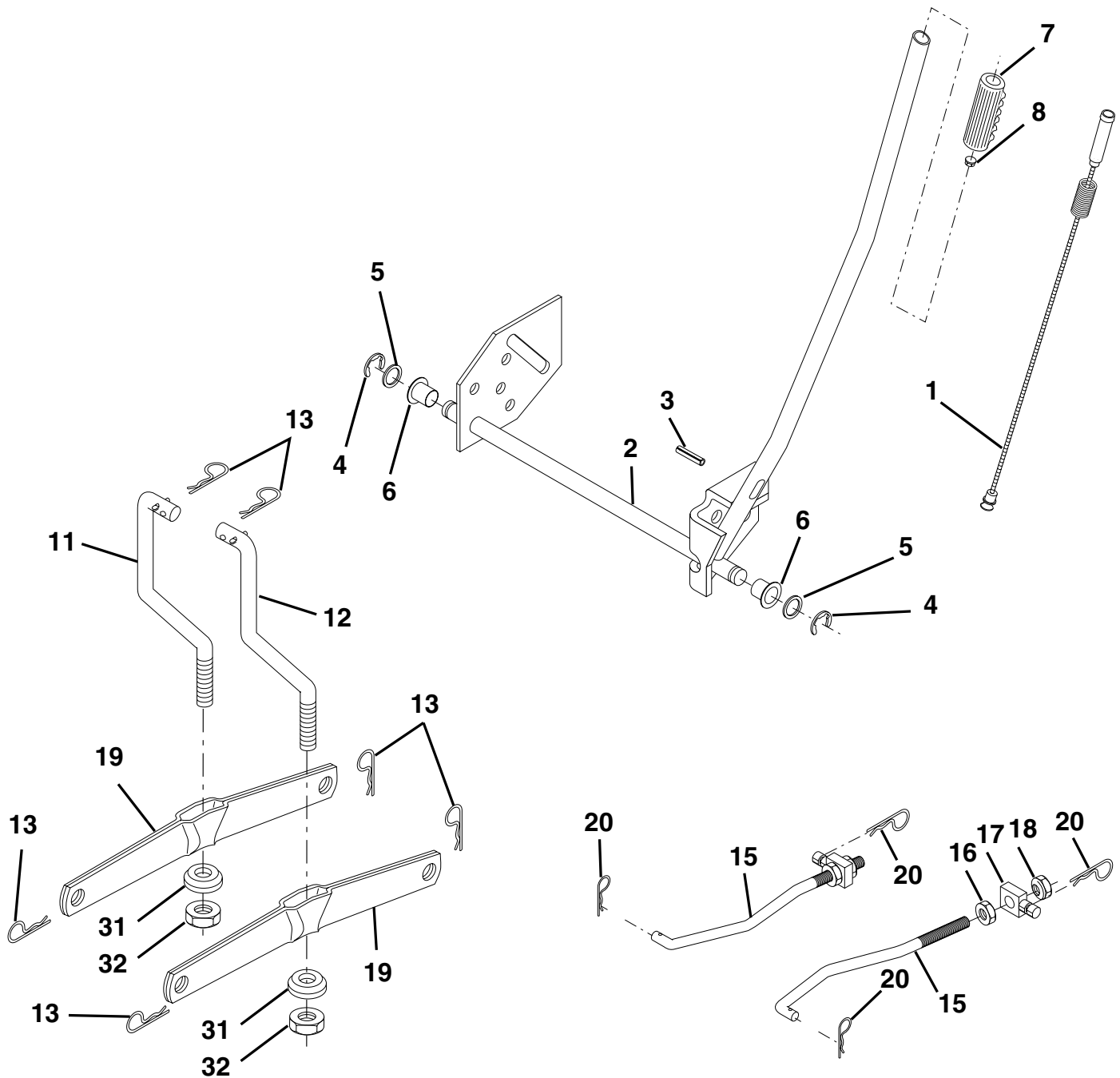
TRACTOR - - MODEL NO. LT1538 (LT1538A), PRODUCT NO. 954 56 97-76
MOWER DECK

| KEY NO. | PART NO. | DESCRIPTION | KEY NO. | PART NO. | DESCRIPTION |
|---------|--------------|---------------------------------|---------|--------------|--|
| 1 | 532 17 02-80 | Mower Deck Assembly | 87 | 532 12 87-72 | Runner RH |
| 2 | 872 14 05-06 | Bolt | 88 | 819 11 12-16 | Washer 11/32 x 3/4 x 16 Ga. |
| 3 | 532 13 80-17 | Bracket Assembly,Sway Bar | 89 | 819 13 16-12 | Washer 13/32 x 1 x 12 Ga |
| 4 | 532 16 99-70 | Bracket Sway Bar | 92 | 873 80 06-00 | Nut Lock Hex 3/8-16 |
| 5 | 532 12 46-70 | Retainer Spring | 96 | 873 93 06-00 | Nut Centerlock 3/8-16 Unc |
| 6 | 532 17 80-24 | Bar Sway Deck | 97 | 874 93 06-20 | Bolt 3/8-16 x 1-1/4 |
| 8 | 532 85 08-57 | Bolt, Hex 3/8-24 x 1.25 Gr. 8 | 98 | 819 13 20-16 | Washer 13/32 x 1-1/4 x 16 Ga. |
| 9 | 810 03 06-00 | Washer, Lock Hvy Hlcl 3/8 | 99 | 810 04 06-00 | Washer Lock 3/8 |
| 10 | 532 14 02-96 | Washer, Hardened | 100 | 532 13 56-51 | Nut Wing |
| 11 | 532 13 41-48 | Blade, Mower Mulching | 101 | 532 13 28-03 | Cover Asm. Mulching |
| 13 | 532 13 76-45 | Shaft Assembly, Mandrel, Vented | 107 | 532 13 35-02 | Spacer, Retainer |
| 14 | 532 12 87-74 | Housing, Mandrel, Vented | 108 | 532 13 35-03 | Stiffener, Idler Arm |
| 15 | 532 11 04-85 | Bearing, Ball, Mandrel | 109 | 874 76 06-40 | Bolt Hex Fin 3/8-16 Unc x 2-1/2 |
| 16 | 532 17 44-93 | Stripper, Mower Deck | 110 | 532 14 25-87 | Upstop Deck Front |
| 19 | 532 13 28-27 | Bolt, Shoulder | 113 | 817 06 05-12 | Screw 5/16-18 x 3/4 |
| 21 | 873 68 05-00 | Nut Crownlock 5/16-18 | 122 | 532 16 99-71 | Rod, Brake, LH |
| 23 | 532 13 76-07 | Bracket, Mower Deflector | 123 | 532 13 12-89 | Rod, Brake, RH |
| 24 | 532 10 53-04 | Cap, Sleeve | 129 | 819 13 13-12 | Washer 13/32 x 13/16 x 12 Ga. |
| 25 | 532 12 37-13 | Spring, Torsion, Deflector | 130 | 874 78 06-16 | Bolt Fin Hex 3/8-16 x 1.0 |
| 26 | 532 11 04-52 | Nut, Push | 131 | 872 14 06-08 | Bolt RDHD 3/8-16 x 1 |
| 27 | 532 17 59-43 | Shield, Deflector | 146 | 532 16 58-91 | Bolt Carriage Idler |
| 28 | 819 11 10-16 | Washer 11/32 x 5/8 x 16 Ga. | 148 | 532 16 90-22 | Spring Return Idler |
| 29 | 532 10 67-35 | Rod, Hinge | 149 | 532 16 58-98 | Retainer Spring Yellow Zinc |
| 30 | 532 17 39-84 | Screw Thdrol Hex | 150 | 819 09 12-16 | Washer 9/32 x 3/4 x 16 Ga. |
| 31 | 532 12 99-63 | Washer, Spacer | 151 | 532 16 96-70 | Bracket Clutch |
| 32 | 532 15 35-32 | Pulley, Mandrel | 152 | 532 17 27-58 | Cable Clutch |
| 33 | 532 17 83-42 | Nut, Toplock, Flanged | 153 | 532 16 96-74 | Washer Flat 3/8" Type B |
| 36 | 532 13 14-94 | Pulley, Idler, Flat | 154 | 532 16 96-75 | Spring Retainer |
| 40 | 873 68 06-00 | Nut Crownlock 3/8-16 | 155 | 532 16 96-71 | Spring Retention Lever |
| 45 | 532 12 47-88 | Retainer, Spring | 156 | 532 16 96-72 | Spacer |
| 53 | 532 13 08-40 | Brake Assembly | 157 | 532 16 96-69 | Rod Clutch |
| 54 | 532 17 85-15 | Washer, Hardened | 158 | 817 72 04-08 | Screw Hex Thd Cut 1/4-20 x 1/2 |
| 55 | 532 13 38-40 | Idler Arm Assembly | -- | 532 13 07-94 | Mandrel Assembly (Includes Housing, Shaft and Shaft Hardware Only-Pulley Not Included) |
| 56 | 532 16 57-23 | Spacer, Retainer | -- | 532 17 15-91 | Replacement Mower, Complete |
| 67 | 532 10 69-32 | Knob RD 3/8-16 Plstc Thd | | | |
| 68 | 532 14 42-00 | Belt | | | |
| 69 | 876 02 03-12 | Pin, Cotter 3/32 x 3/4 | | | |
| 86 | 532 12 50-74 | Runner LH | | | |

NOTE: All component dimensions given in U.S. inches
 1 inch = 25.4 mm

REPAIR PARTS

TRACTOR - - MODEL NO. LT1538 (LT1538A), PRODUCT NO. 954 56 97-76
MOWER LIFT



REPAIR PARTS

TRACTOR - - MODEL NO. LT1538 (LT1538A), PRODUCT NO. 954 56 97-76
MOWER LIFT

| KEY NO. | PART NO. | DESCRIPTION |
|------------|--------------|------------------------------|
| 1 | 532 15 94-60 | Wire Asm Inner W/plunger LT |
| 2 | 532 15 94-71 | Shaft Asm Lift |
| 3 | 532 10 57-67 | Pin Groove |
| 4 | 812 00 00-02 | E Ring #5133-62 |
| 5 | 819 21 16-21 | Washer PLTD 21/32 X 1 X 21ga |
| 6 | 532 12 01-83 | Bearing Nylon Blk 629 Id |
| 7 | 532 10 94-13 | Grip Handle Bicycle |
| 8 | 532 12 45-26 | Button Plunger |
| 11 | 532 13 98-65 | Link Lift LH |
| 12 | 532 13 98-66 | Link Lift RH |
| 13 | 532 12 46-70 | Retainer Spring |
| 15 | 532 17 32-88 | Link Front |
| 16 | 873 35 08-00 | Nut Jam Hex 1/2-13 Unc |
| 17 | 532 17 56-89 | Trunnion |
| 18 | 873 80 08-00 | Nut Lock W/Wsh 1/2-13 Unc |
| 19 | 532 13 98-68 | Arm Suspension Rear |
| 20 | 532 16 35-52 | Spring, Retainer |
| 31 | 532 16 98-65 | Bearing Pvt. Lift |
| 32 | 873 54 06-00 | Nut Crownlock 3/8-24 |

NOTE: All component dimensions given in U.S. inches
1 inch = 25.4 mm