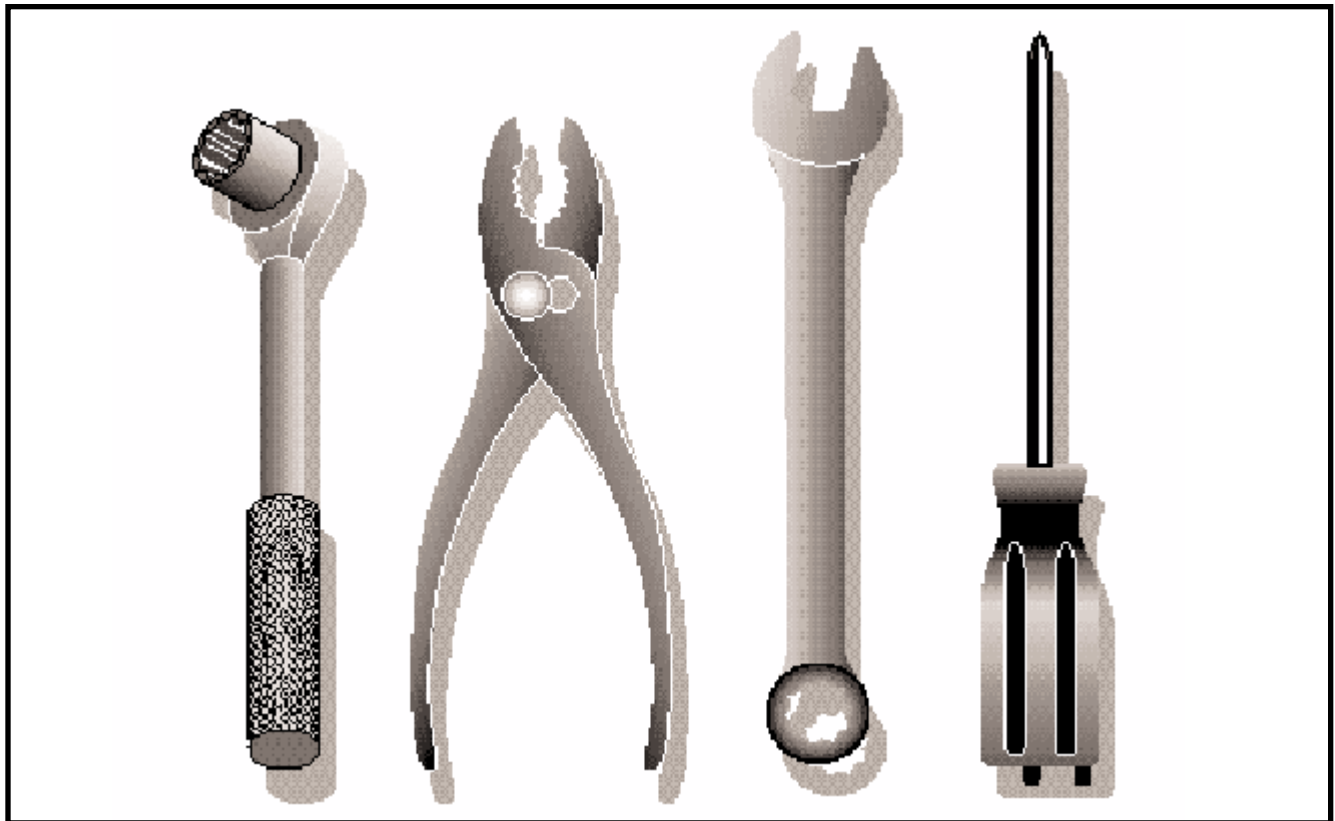




Illustrated Parts List	2002-03
	I0202012

YTH 1542 XP F

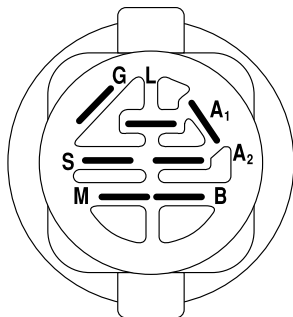
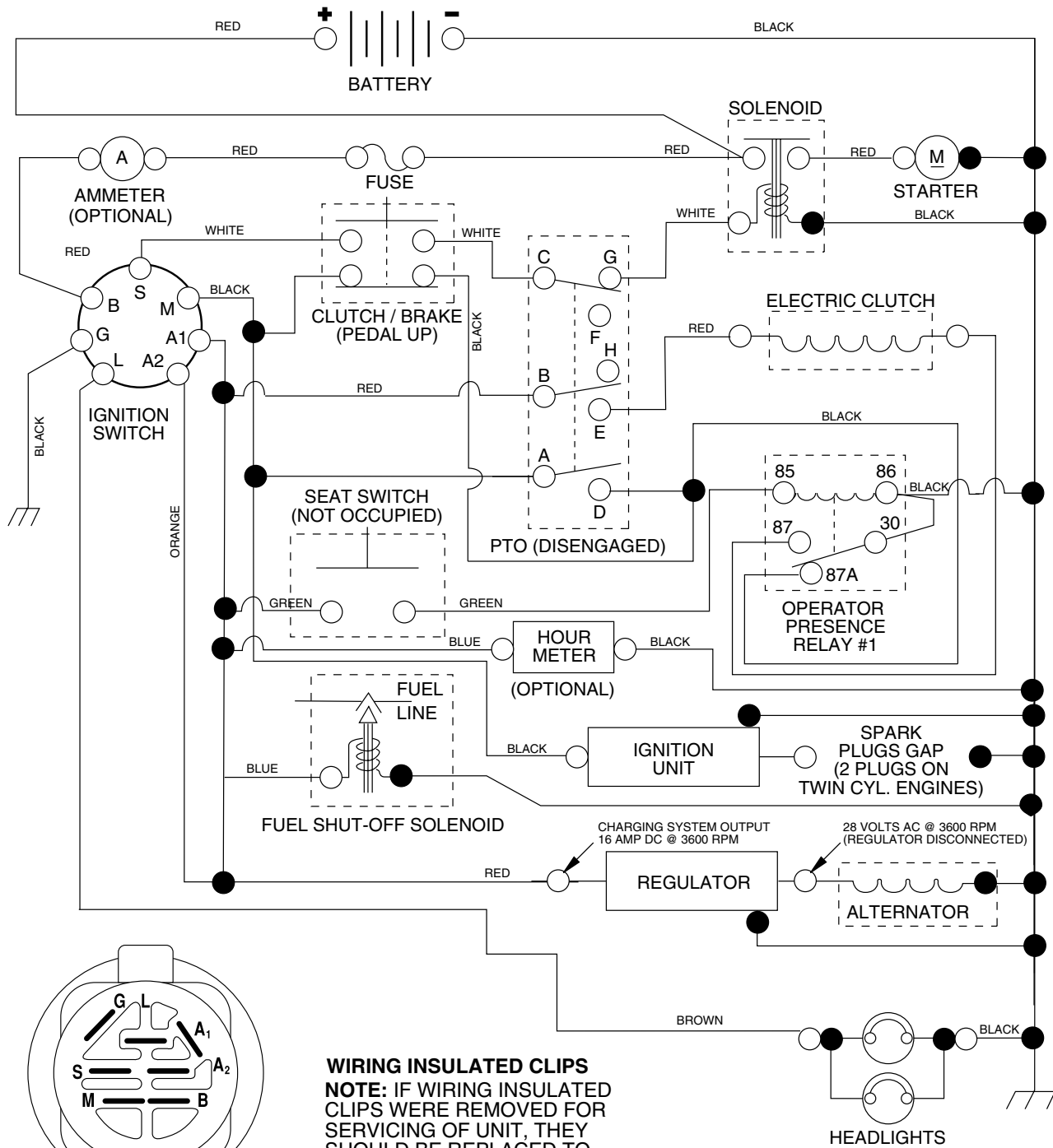
954567253



Repair Parts Manual

Ride Mower

For Husqvarna Parts Call 606-678-9623 or 606-561-4983
TRACTOR - MODEL NO. YTH1542XP (YTH1542XPF), PRODUCT NO. 954 56 72-53
SCHEMATIC



IGNITION SWITCH

POSITION	CIRCUIT	"MAKE"
OFF	M+G+A1	NONE
RUN/LIGHT	B+A1	A2+L
RUN	B+A1	NONE
START	B + S + A1	NONE

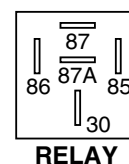
WIRING INSULATED CLIPS

NOTE: IF WIRING INSULATED CLIPS WERE REMOVED FOR SERVICING OF UNIT, THEY SHOULD BE REPLACED TO PROPERLY SECURE YOUR WIRING.

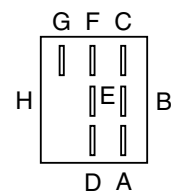
PTO SWITCH

POSITION	CIRCUIT
OFF	C + G, B + H
ON	C + F, B + E, A + D

● NON-REMOVABLE CONNECTIONS
 ○ REMOVABLE CONNECTIONS

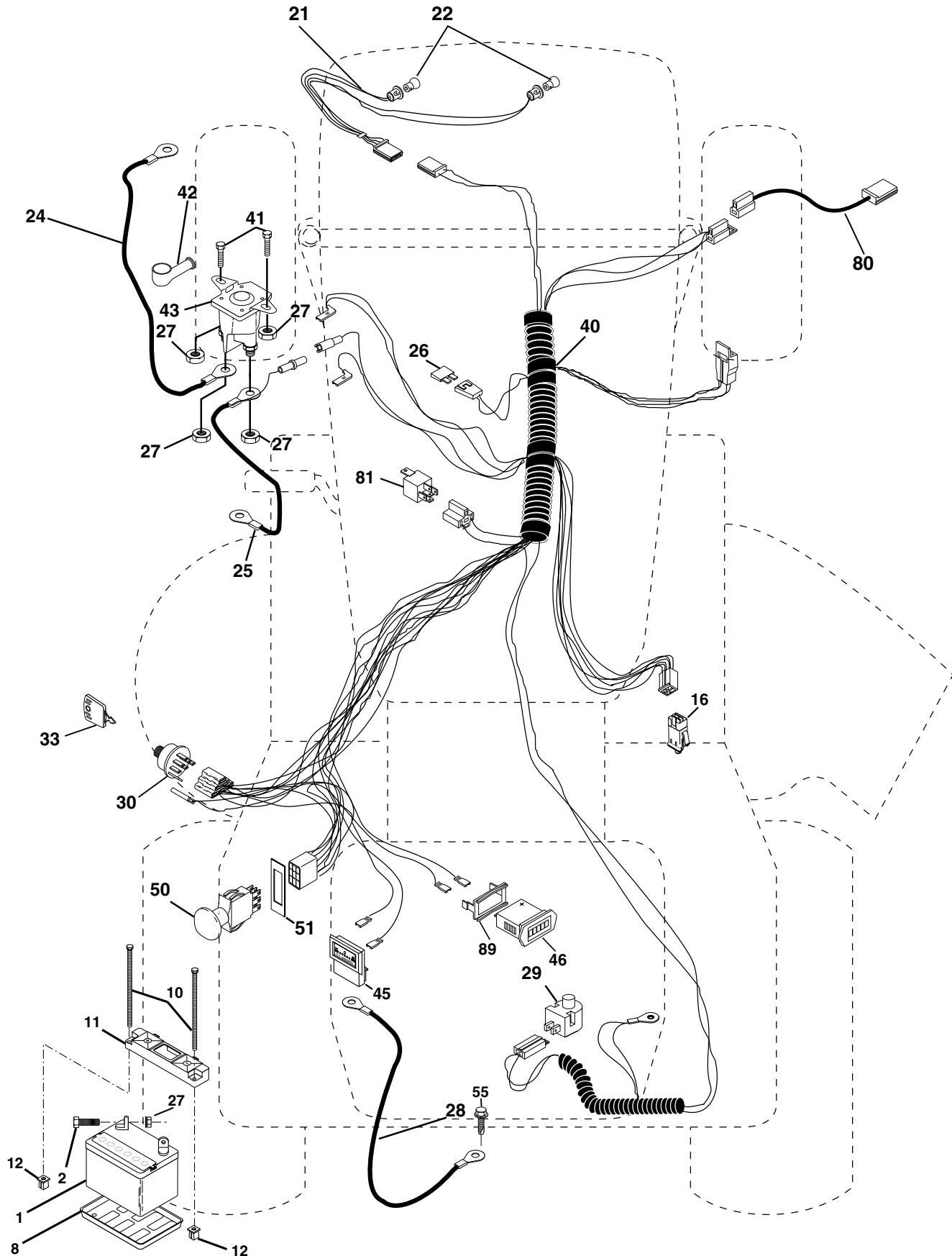


RELAY



REPAIR PARTS

TRACTOR - MODEL NO. YTH1542XP (YTH1542XPF), PRODUCT NO. 954 56 72-53
ELECTRICAL



REPAIR PARTS

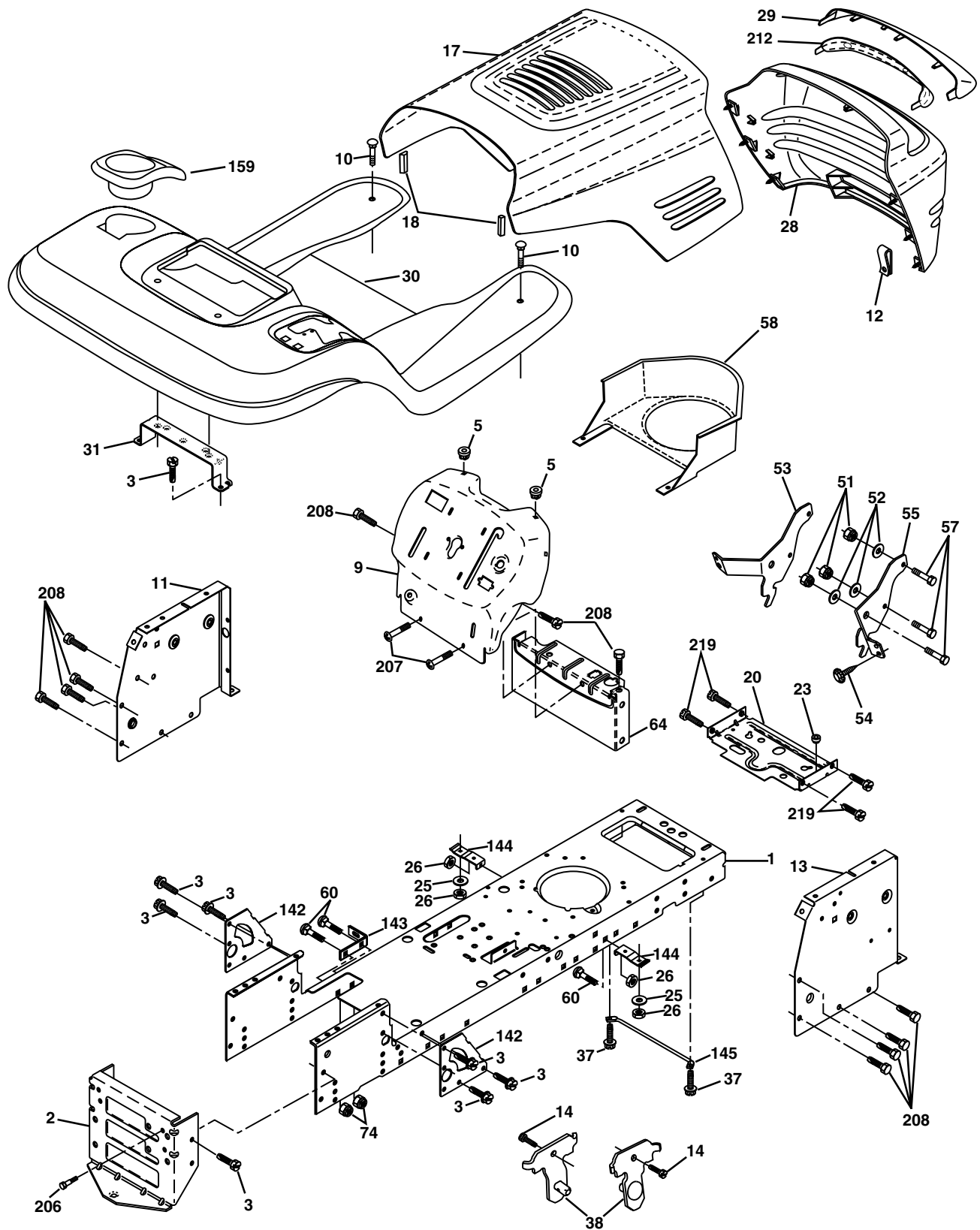
TRACTOR - MODEL NO. YTH1542XP (YTH1542XPF), PRODUCT NO. 954 56 72-53
ELECTRICAL

KEY NO.	PART NO.	DESCRIPTION
1	532 14 49-25	Battery 12 Volt 25 AMP
2	874 76 04-12	Bolt Hex Hd 1/4-20unc X 3/4
8	532 12 48-86	Tray Battery
10	532 14 52-11	Bolt Brt Frt 1/4-20 x 75 Ainc
11	532 15 01-09	Holddown Battery Front Mount
12	532 14 57-69	Nut Push Nylon 1/4" Battery Frt
16	532 17 61-38	Switch Interlock Push-In
21	532 16 61-81	Harness Asm Light W/4152j
22	532 00 41-52	Bulb Light #1156
24	532 14 61-48	Cable Battery 6 Ga 22" red w/16 wire
25	532 12 47-80	Cable Battery 6 Ga 11" red
26	532 17 51-58	Fuse
27	873 51 04-00	Nut Keps Hex 1/4-20 Unc
28	532 14 54-91	Cable Ground 6 Ga 21" black
29	532 16 07-84	Switch Plunger Nc Gray
30	532 17 55-66	Switch Ign
33	532 14 04-01	Key Ign Molded Generic
40	532 17 97-24	Harness Ign.
41	871 11 04-08	Bolt Blk Fin Hex 1/4 - 20 x 1/2
42	532 13 15-63	Cover Terminal Red
43	532 17 88-61	Solenoid
45	532 12 28-22	Ammeter Rectangular 15 Amp
46	532 16 96-35	Meter Hour
50	532 17 46-51	Switch PTO
51	532 14 04-05	Ring Retainer PTO
55	817 49 05-08	Screw Thdrol 5/16-18 x 1-1/2 Tyt
80	532 14 66-85	Harness Clutch Evx
81	532 10 97-48	Relay Asm.
89	532 16 96-39	Bracket Snap-In Hourmeter

NOTE: All component dimensions given in U.S. inches.
1 inch = 25.4 mm.

REPAIR PARTS

TRACTOR - MODEL NO. YTH1542XP (YTH1542XPF), PRODUCT NO. 954 56 72-53
CHASSIS AND ENCLOSURES



REPAIR PARTS

**TRACTOR - MODEL NO. YTH1542XP (YTH1542XPF), PRODUCT NO. 954 56 72-53
CHASSIS AND ENCLOSURES**

KEY NO.	PART NO.	DESCRIPTION
1	532 17 46-19	Chassis Stamping
2	532 17 65-54	Drawbar
3	817 06 06-12	Screw 3/8-16x3/4
5	532 15 52-72	Bumper
9	532 17 16-82	Dashboard
10	872 14 06-08	Bolt Rdhd Sqnk 3/8-16 Unc x 1
11	532 17 49-96	Panel Dash Lh
12	532 14 56-60	Clip Tinnerman Grille
13	532 17 21-06	Panel Dash Rh
14	817 49 06-08	Screw Thdrol 3/8-16 x 1/2
17	532 16 22-37	Hood
18	532 12 69-38	Bumper
20	532 18 06-79	Plate Mtg Battery/Fuel Tank
23	532 12 40-28	Bushing
25	819 13 13-12	Washer 13/32 x 13/16 x 12 Ga.
26	873 80 06-00	Nut Lock w/Insert 3/8-16 UNC
28	532 17 98-45	Grille Lens Asm
29	532 17 66-45	Lens
30	532 18 10-01	Fender
31	532 13 99-76	Bracket
37	817 49 05-08	Screw Thdrol 5/16-18 x 1/2
38	532 17 57-10	Bracket Asm Pivot Mower Rear
51	873 80 04-00	Nut Lock w/Insert 1/4-20
52	819 09 14-16	Washer 9/32 x 7/8 x 16 Ga.
53	532 14 46-97	Bracket Grille Lh
54	532 16 14-64	Screw Hex Wshd 8-18 x 7/8
55	532 14 46-96	Bracket Grille Rh
57	874 78 04-12	Bolt Fin Hex 1/4-20 Unc x 3/4
58	532 17 49-30	Duct Air
60	872 14 06-06	Bolt RDHD SQNK 3/8-16 x 3/4
64	532 15 47-98	Dash Lower Stlt
74	873 68 06-00	Nut Crownlock 3/8-16
142	532 17 57-02	Plate Reinforcement Stlt
143	532 15 49-66	Bracket Swaybar Chassis
144	532 17 55-82	Bracket Ft Rest
145	532 15 65-24	Rod Pivot Chassis Hood
159	532 16 65-08	Cupholder YTGT Grey
206	532 17 01-65	Bolt Shoulder 5/16-18 TT
207	817 67 05-08	Screw Thdrol 5/16-18 x 1/2 TYTT
208	817 67 06-08	Screw Thdrol 3/8-16 x 1/2 Ty-TT
212	532 15 62-29	Insert Lens Reflect

NOTE: All component dimensions given in U. S. inches.
1 inch = 25.4 mm

REPAIR PARTS

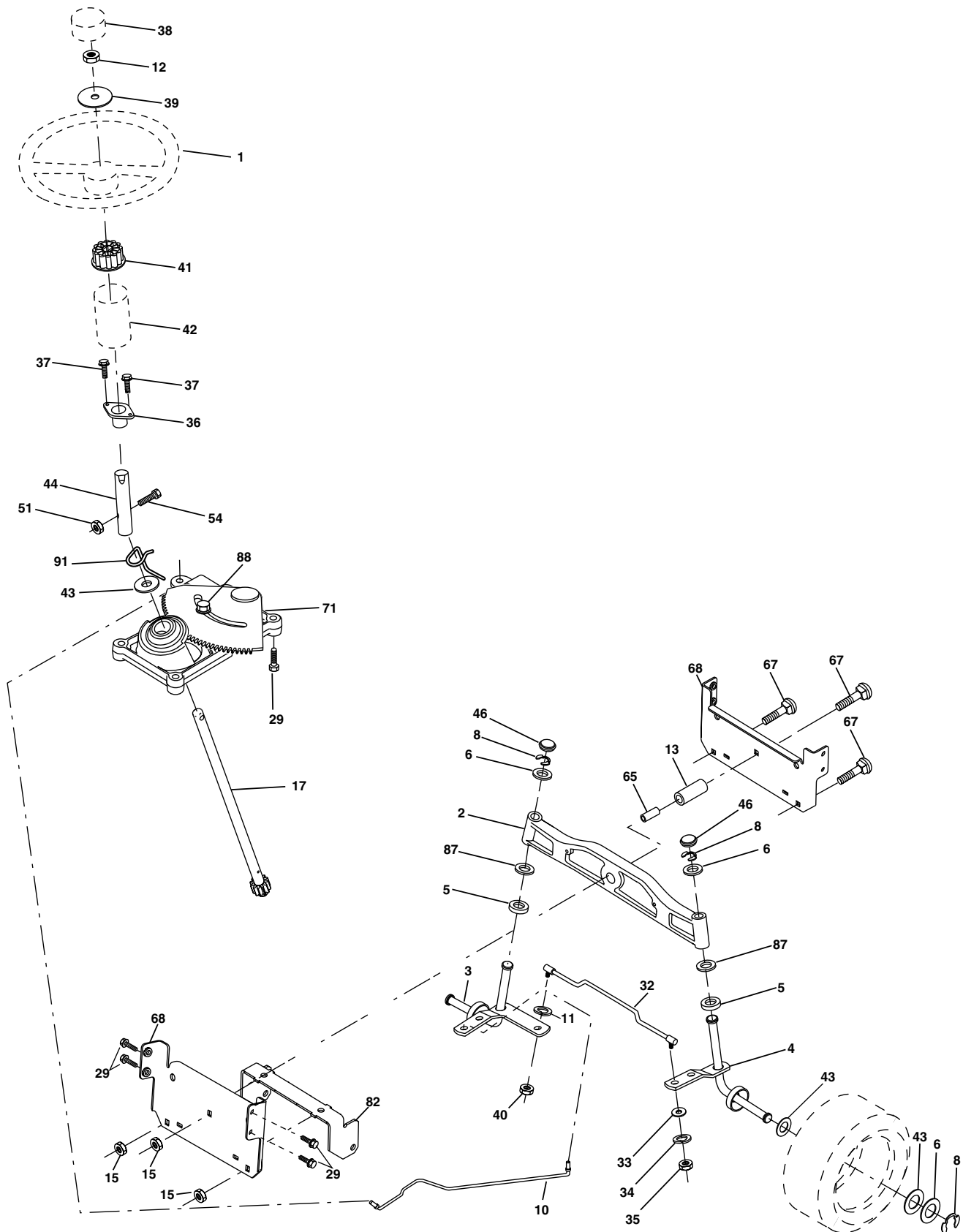
TRACTOR - MODEL NO. YTH1542XP (YTH1542XPF), PRODUCT NO. 954 56 72-53 DRIVE

KEY NO.	PART NO.	DESCRIPTION	KEY NO.	PART NO.	DESCRIPTION
1	-----	Transaxle, Hydro 314-0510 (Order Parts From Transaxle Manufacturer)	62	532 12 48-72	Cover, Pedal
8	532 16 58-66	Rod Shift Fender Adjust STLT	63	532 17 54-14	Pulley, Engine
9	532 16 08-89	Clutch Electric	65	810 04 07-00	Washer Lock Hvy HLCL Spr 7/16
10	876 02 04-16	Pin Cotter 1/8 x 1 CAD	66	532 15 47-78	Keeper Belt Engine
14	810 04 04-00	Washer Lock Hvy Helical	71	532 16 91-83	Strap Torque Lh Hydro
15	874 49 05-44	Bolt Hex 5/16-18 Unc Flghd	73	532 16 91-82	Strap Torque Rh Hydro
16	873 80 05-00	Nut Lock Hex W/Ins. 5/16-18 Unc P	74	532 13 70-57	Spacer, Axle
19	873 80 06-00	Nut Lock Hex W/Ins 3/8-16 Unc	75	532 12 17-49	Washer 25/32 x 1-1/4 x 16 Ga.
20	532 15 02-80	Bolt, Hex 7/16-20 x 4-1/4	76	812 00 00-01	E-Ring
21	532 14 08-45	Knob Deluxe 1/2-13 UNC BLK/BLK	77	532 12 35-83	Key, Square
22	532 16 94-98	Rod, Brake Hydro	78	532 12 17-48	Washer 25/32 x 1-5/8 x 16 Ga
23	532 17 12-58	Bracket Asm Anti-Rot EVX	81	532 16 55-96	Shaft Asm Cross Tapered
24	873 35 06-00	Nut Hex Jam 3/8-16 UNC	82	532 16 57-11	Spring Torsion T/A
25	532 10 68-88	Spring, Brake Rod	83	819 17 12-16	Washer 17/32 x 3/4 x 16 Ga.
26	819 13 13-16	Washer	84	532 16 95-94	Link Transaxle
27	876 02 04-12	Pin Cotter 1/8 x 3/4 CAD.	89	532 16 65-10	Console, Shift
28	532 17 57-65	Rod, Parking Brake	90	532 12 43-46	Nut Self Thd 1/4
29	532 07 16-73	Cap, Parking Brake	95	532 17 02-01	Control Asm. Bypass Hydro
30	532 16 95-92	Bracket, Transaxle	96	532 12 47-88	Retainer Spring 1" Zinc/Cad
32	874 76 05-12	Bolt Hex Hd 5/16-18 Unc x 3/4	120	873 90 06-00	Nut Lock Flg 3/8-16
33	872 14 05-06	Bolt Carriage 5/16-18unc x 3/4	144	819 11 10-16	Washer 11/32 x 5/8 x 16 Ga.
34	532 17 55-78	Shaft, Foot Pedal	150	532 17 54-56	Spacer Retainer
35	532 12 01-83	Bearing, Nylon	151	819 13 32-10	Washer 13/32 x 2 x 10 Ga.
36	819 21 16-16	Washer	156	532 16 60-02	Washer Srrted 5/16ID x 1.125
37	532 12 49-63	Pin, Roll	158	532 16 55-89	Bracket Shift Mount
38	532 17 91-14	Pulley, Composite, Flat	159	532 16 54-94	Hub Tapered Flange Shift Lt
39	874 76 06-48	Bolt, Fin, Hex 3/8-16 x 3	161	872 14 04-06	Bolt Rdhd Sqnk 1/4-20 x 3/4 Gr 5
41	532 17 55-56	Keeper, Belt Idler	162	873 68 04-00	Nut Crownlock 1/4-20 Unc
47	532 12 77-83	Pulley, Idler, V-Groove Plastic	163	874 78 04-16	Bolt Hex Fin 1/4-20 Unc x 1 Gr 5
48	532 15 44-07	Bellcrank Clutch Grnd Drv STL	164	819 09 10-10	Washer 5/8 x .281 x 10 Ga
49	532 12 32-05	Retainer, Belt Style Spring	165	532 16 56-23	Bracket Pivot Lever
50	874 76 06-24	Bolt Hex Hd 3/8-16 Unc x 1-1/2	166	532 16 68-80	Screw 5/16-18 x 5/8
51	873 68 06-00	Nut	168	532 16 54-92	Bolt Shoulder 5/16-18 x .561
52	873 68 05-00	Nut Crown Lock 5/16-18	169	532 16 55-80	Plate Fastening STLT/CRD
53	532 10 57-10	Link, Clutch	197	532 16 96-13	Nyliner Snap 5/8" ID
55	532 10 57-09	Spring, Return, Clutch	198	532 16 95-93	Washer Nyl 7/8 ID x .105 Hyd
56	817 06 06-20	Screw 3/8-16 x 1.0	199	532 16 96-12	Bolt Shoulder 5/16-18 Unc
57	532 14 02-94	V-Belt, Ground Drive	200	872 14 05-08	Bolt Rdhd Sqnk 5/16-18 Unc x 1
59	532 16 96-91	Keeper, Center Span	202	872 11 06-14	Bolt 3/8-16 Unc x 1-3/4 Gr. 5
61	817 12 06-14	Screw 3/8-16 x .875	250	817 06 06-12	Screw 3/8-16 x .75

NOTE: All component dimensions given in U.S. inches
1 inch = 25.4 mm

REPAIR PARTS

TRACTOR - MODEL NO. YTH1542XP (YTH1542XPF), PRODUCT NO. 954 56 72-53
STEERING ASSEMBLY



REPAIR PARTS

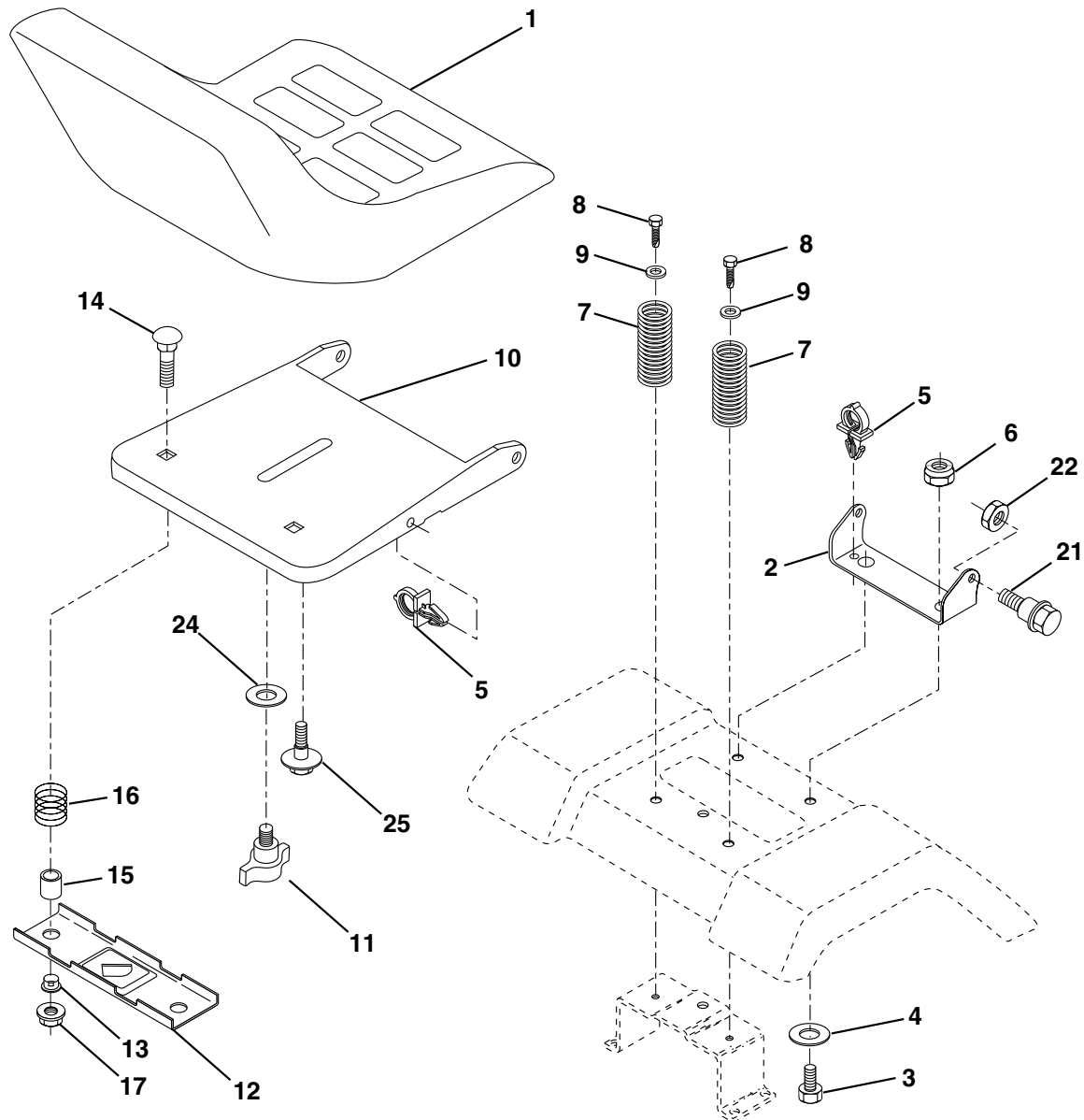
TRACTOR - MODEL NO. YTH1542XP (YTH1542XPF), PRODUCT NO. 954 56 72-53
STEERING ASSEMBLY

KEY NO.	PART NO.	DESCRIPTION
1	532 16 66-27	Wheel Steering
2	532 17 23-93	Axle Cast Lt Machined
3	532 16 98-40	Spindle Asm LH
4	532 16 98-39	Spindle Asm RH
5	532 12 49-31	Bearing Race Thrust Harden
6	532 12 17-48	Washer 25/32 X 1-5/8 X 16 Ga
8	812 00 00-29	Ring Klip #t5304-75
10	532 17 51-21	Link Drag
11	810 04 06-00	Washer Lock Hvy Hlcl Spr 3/8
12	873 94 08-00	Nut Hex Jam Toplock 1/2-20
13	532 13 65-18	Spacer Brg Axle Front
15	532 14 52-12	Nut Hex Flange Lock
17	532 18 06-41	Shaft Asm Strg
29	817 06 06-12	Screw 3/8-16x3/4
32	532 17 18-88	Rod Tie
33	819 11 12-16	Washer 11/32 x 3/4 x 16 Ga.
34	810 04 05-00	Washer Lock Hvy Helical 5/16
35	873 54 05-00	Nut Crown Lock 5/16-24Unf
36	532 15 50-99	Bushing Strg
37	532 15 29-27	Screw
38	532 16 66-26	Insert Cap Strg Wh
39	819 18 24-11	Washer 9/16 ID x 1-1/2 OD x 11 Ga.
40	532 12 47-01	Lock nut
41	532 15 99-45	Adaptor Wheel Strg
42	532 16 96-34	Boot Steering Shaft
43	532 12 17-49	Washer 25/32 X 1 1/4 X 16 Ga
44	532 18 06-40	Extension Steering Shaft LR/LT
46	532 12 12-32	Cap Spindle Fr Top Blk
51	873 54 04-00	Nut Crownlock 1/4-28
54	871 13 04-20	Bolt Hex 1/4-28 UNF x 1-1/4 Gr. 8
65	532 16 03-67	Spacer Brace Axle
67	872 14 06-18	Bolt Rdhd Sq 3/8-16 x 2-1/4
68	532 16 98-27	Axle, Brace
71	532 17 51-46	Steering Asm
82	532 16 98-35	Bracket Susp Chassis Front
87	532 17 39-66	Washer Flat .781 x 1-1/2 x .14
88	532 17 51-18	Bolt Shoulder 7/16-20
91	532 17 55-53	Clip Steering

NOTE: All component dimensions given in U.S. inches.
1 inch = 25.4 mm.

REPAIR PARTS

TRACTOR - MODEL NO. YTH1542XP (YTH1542XPF), PRODUCT NO. 954 56 72-53
SEAT ASSEMBLY



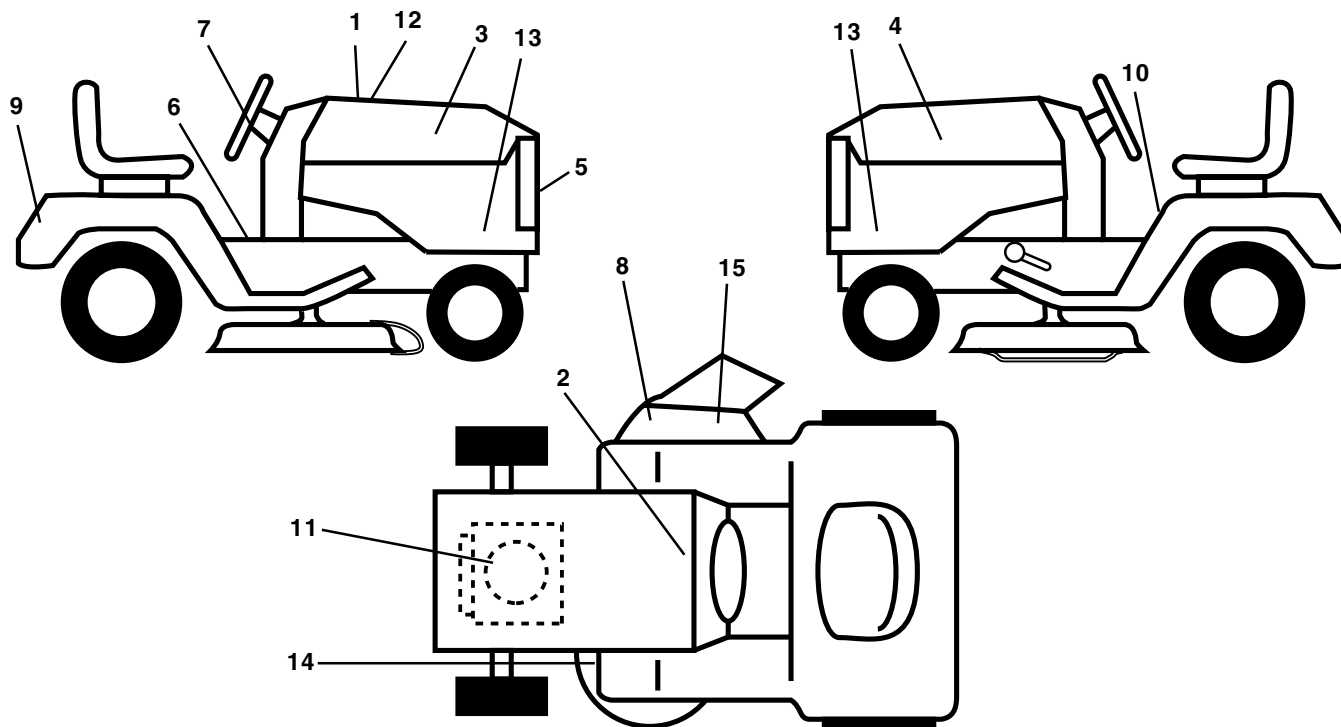
KEY NO.	PART NO.	DESCRIPTION
1	532 14 08-40	Seat
2	532 14 05-51	Bracket Pivot Seat 8 720
3	871 11 06-16	Bolt Fin Hex 3/8-16 x 1
4	819 13 16-10	Washer Flat 13/32 x 1.0 x 10 Ga.
5	532 14 50-06	Clip Push-In
6	873 80 06-00	Nut Hex w/Ins. 3/8-16 Unc
7	532 12 41-81	Spring Seat Cprsn 2 250 Blk Zi
8	817 00 06-16	Screw 3/8-16 x 1
9	819 13 16-14	Washer 13/32 x 1.0 x 14 Ga.
10	532 17 48-94	Pan Seat
11	532 16 63-69	Knob Seat Adj Wingnut
12	532 12 12-46	Bracket Mounting Switch

KEY NO.	PART NO.	DESCRIPTION
13	532 12 12-48	Bushing Snap Blk Nyl 50 Id
14	872 05 04-12	Bolt Rdhd Sqnk 1/4-20x1-1/2
15	532 12 12-49	Spacer Split 28 x .88 Zinc
16	532 12 37-40	Spring Cprsn Plate
17	532 12 39-76	Nut Lock 1/4 Lge Flg Gr 5 Zinc
21	532 17 18-52	Bolt Shoulder 5/16-18 Unc
22	873 80 05-00	Nut Hex Lock W/Ins 5/16-18
24	819 17 19-12	Washer 17/32 X 1 -3/16 X 12 Ga.
25	532 12 70-18	Bolt Shoulder 5/16-18 X 62

NOTE: All component dimensions given in U.S. inches.
1 inch = 25.4 mm

REPAIR PARTS

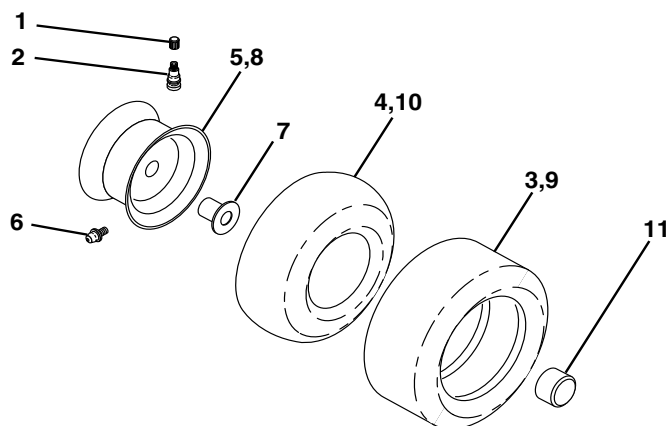
TRACTOR - MODEL NO. YTH1542XP (YTH1542XPF), PRODUCT NO. 954 56 72-53
DECALS



KEY NO.	PART NO.	DESCRIPTION
1	532 18 09-41	Decal Hood Cust. Resp.
2	532 14 50-05	Decal Battery
3	532 18 00-89	Decal Hood RH
4	532 18 00-90	Decal Hood LH
5	532 15 06-16	Decal Grille
6	532 15 70-32	Decal Fender Oper
7	532 17 05-64	Decal Wheel Steering
8	532 17 05-63	Decal Warning Keep Hand Away
9	532 17 68-22	Decal Fender Husq
10	532 15 71-40	Decal Fender Danger E/F
11	532 18 35-68	Decal Engine

KEY NO.	PART NO.	DESCRIPTION
12	532 18 10-65	Decal Hood
13	532 18 00-91	Decal Hoodside Kawa VTWN
14	532 16 03-96	Decal V-Belt Schematic
15	532 17 91-28	Decal Deck "B" 42"
--	532 10 62-02	Reflector Tail Light
--	532 17 12-84	Pad Footrest LH
--	532 17 12-85	Pad Footrest RH
--	532 13 83-11	Decal Handle Lft Height Adjust
--	532 16 92-10	Decal By Pass Lt Hydro
--	532 18 32-06	Manual Owner's (English)
--	532 18 32-07	Manual Owner's (French)

WHEELS & TIRES

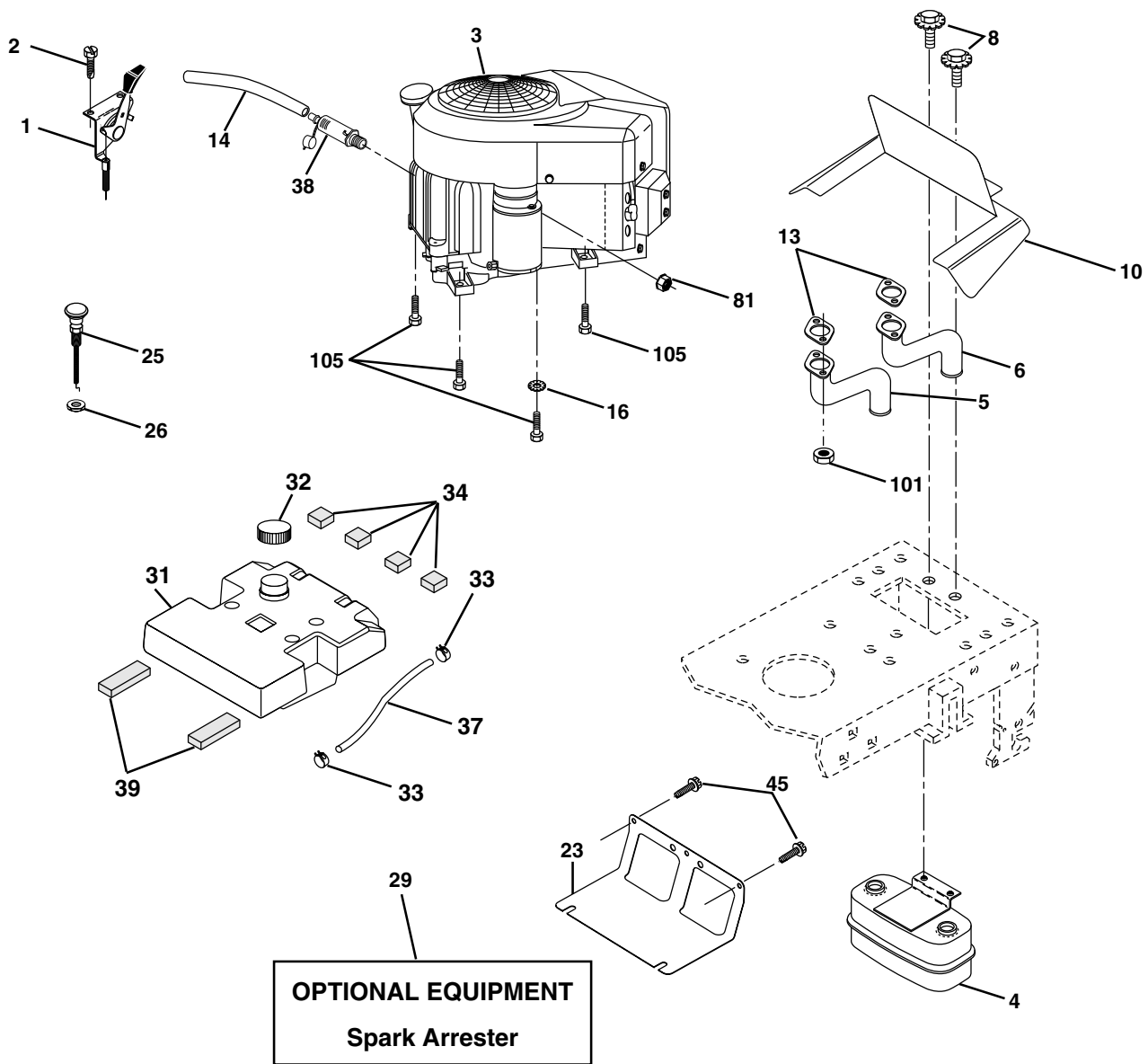


KEY NO.	PART NO.	DESCRIPTION
1	532 05 91-92	Cap Valve Tire
2	532 06 51-39	Stem Valve
3	532 10 62-22	Tire F Ts 15 X 6 0 - 6 Service
4	532 05 99-04	Tube Front (Service Item Only)
5	532 13 83-36	Rim Asm 6"front Silver Service
6	532 12 49-57	Fitting Grease (Front Wheel Only)
7	532 12 49-59	Bearing Flange (Front Wheel Only)
8	532 13 83-37	Rim Asm 8"rear Silver Service
9	532 12 20-82	Tire R Ts 20x10-8 C Service
10	532 12 49-26	Tube Rear (Service Item Only)
11	532 17 50-39	Cap Axle Blk 1 50 X 1 00
--	532 14 43-34	Sealant, Tire (10 oz. Tube)

NOTE: All component dimensions given in U.S. inches
1 inch = 25.4 mm

REPAIR PARTS

TRACTOR - MODEL NO. YTH1542XP (YTH1542XPF), PRODUCT NO. 954 56 72-53
ENGINE

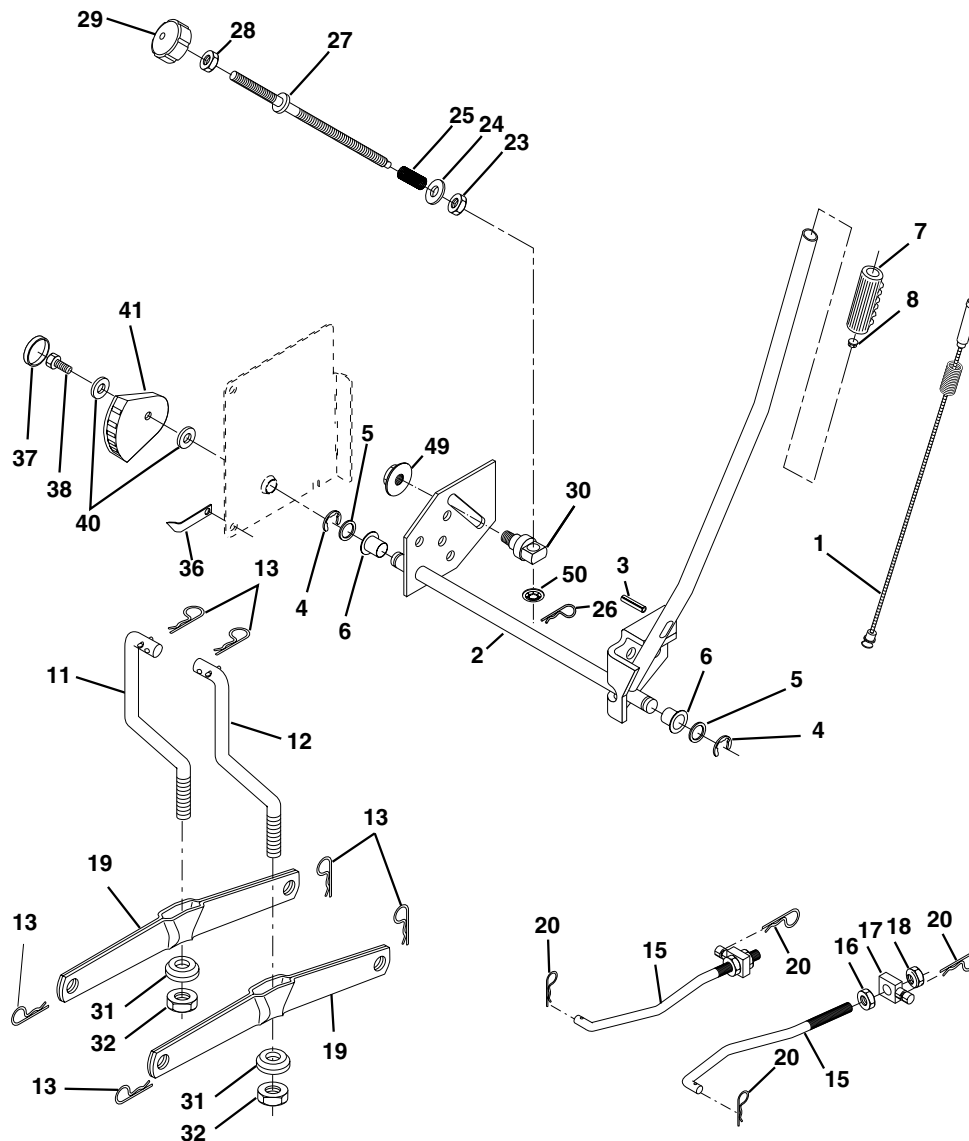


KEY NO.	PART NO.	DESCRIPTION	KEY NO.	PART NO.	DESCRIPTION
1	532 17 08-03	Control Throt Flg	26	873 92 06-00	Nut, Keps 3/8-24 Unf
2	817 72 04-08	Screw Hex Thd Cut 1/4-20x5/8 T	29	532 13 71-80	Kit Spark Arrestor (Flat Scrm)
3	-----	Engine KAWA FH430V (Order Parts from Engine Manufacturer)	31	532 15 71-03	Tank Fuel 3 50 Rear
4	532 14 97-23	Muffler Asm Twin Lo-Tone	32	532 16 16-96	Cap Asm Fuel Gauge
5	532 18 14-44	Exhaust Tube Lh	33	532 12 34-87	Clamp Hose Blk
6	532 18 14-42	Exhaust Tube Rh	34	532 10 60-82	Pad, Spacer
8	532 17 18-77	Bolt 5/16-18unc x 3/4 W/Sems	37	532 14 21-58	Line Fuel
10	532 14 66-29	Shield Browning	38	-----	Plug Drain Oil (Order from Engine Manufacturer)
13	-----	Gasket Muffler (Order from Engine Manufacturer)	39	532 10 92-27	Pad, Idler
14	532 14 84-56	Tube Drain Oil Easy	45	817 00 06-12	Screw Hexwsh Thdr 3/8-16 x 3/4
16	811 05 06-00	Washer Lock Ext Tooth 3/8	81	873 51 04-00	Nut Keps Hex 1/4-20
23	532 16 98-37	Shield Browning	101	532 16 33-05	Nut Flange M8-1.25
25	532 13 27-82	Choke Control	105	817 12 06-16	Screw 3/8-16 x 1

NOTE: All component dimensions given in U.S. inches
1 inch = 25.4 mm

REPAIR PARTS

TRACTOR - MODEL NO. YTH1542XP (YTH1542XPF), PRODUCT NO. 954 56 72-53
MOWER LIFT



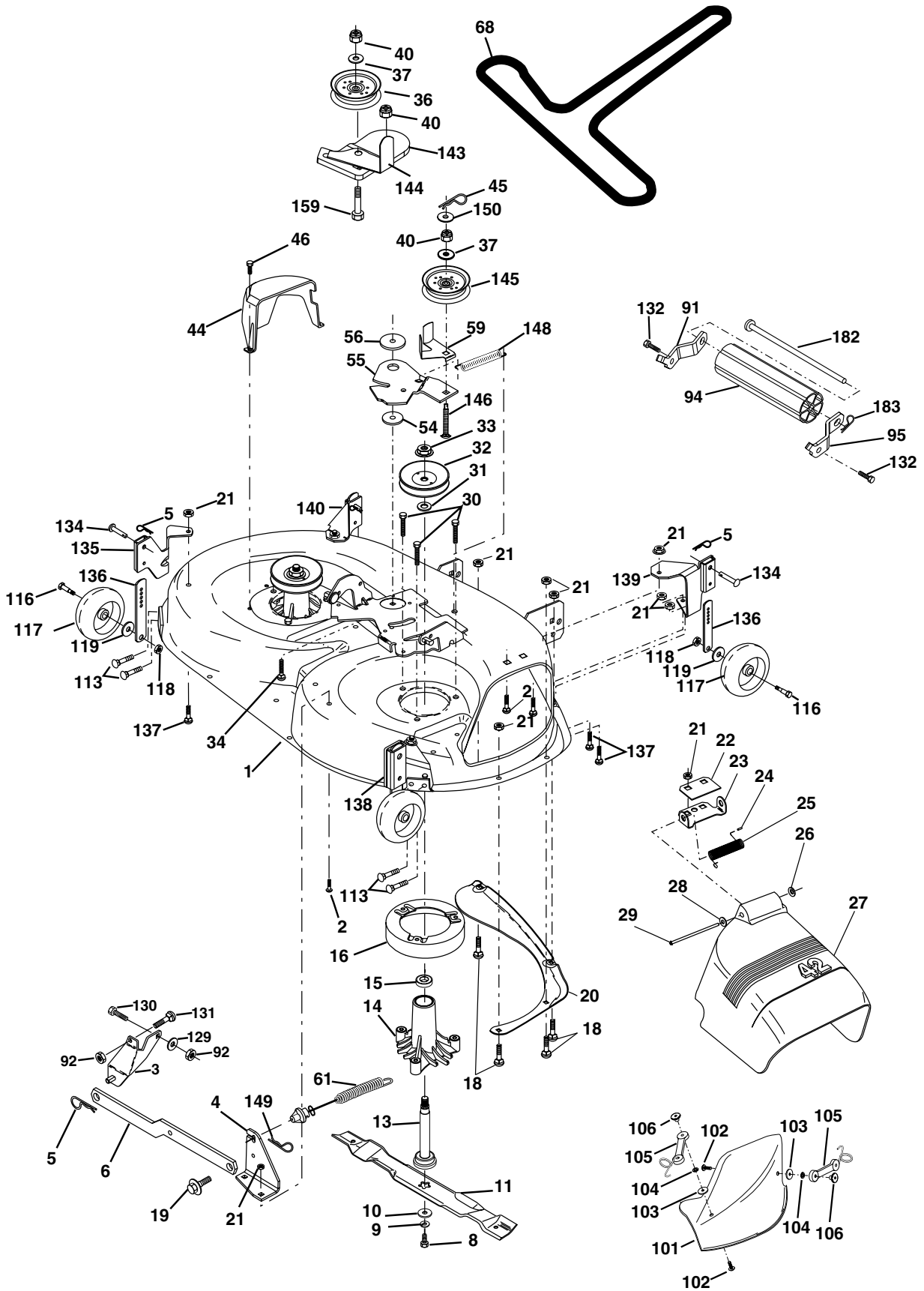
KEY NO.	PART NO.	DESCRIPTION
1	532 15 94-60	Wire Asm Inner/Spring W/Plunger LT
2	532 15 94-71	Shaft Asm Lift RH w/Inf
3	532 10 57-67	Pin Groove 1 500 Zinc
4	812 00 00-02	E Ring #5133-62
5	819 21 16-21	Washer 21/32 X 1 X 21 Ga
6	532 12 01-83	Bearing Nylon Blk 629 Id
7	532 12 56-31	Grip Handle Fluted Blk
8	532 12 45-26	Button Plunger Black
11	532 13 98-65	Link Lift LH
12	532 13 98-66	Link Lift RH
13	532 12 46-70	Retainer Spring
15	532 17 32-88	Link Front
16	873 35 08-00	Nut Jam Hex 1/2-13 Unc
17	532 17 56-89	Trunnion
18	873 80 08-00	Nut Lock w/Wsh 1/2-13unc
19	532 13 98-68	Arm Suspension Rear
20	532 16 35-52	Retainer Spring
23	532 11 08-07	Nut Special

KEY NO.	PART NO.	DESCRIPTION
24	819 13 10-16	Washer 13/32 X 5/8 X 16 Ga
25	532 12 48-74	Spring 2-1/8"
26	532 16 94-84	Retainer Clip
27	532 12 69-71	Rod Adj Lift Zinc 7.49 Wrk Lg
28	873 35 06-00	Nut Hex Jam 3/8-16 Unc
29	532 13 80-57	Knob Inf 3/8-16 Unc Blk W/sym
30	532 15 02-33	Trunnion Infin Height
31	532 16 98-65	Bearing PVT Lift
32	873 54 06-00	Nut Crownlock 3/8-24
36	532 15 50-97	Indicator Height STLT
37	532 12 39-35	Plug Hole Blk 1.485/1.515 Dia.
38	817 06 05-16	Screw 5/16-18 x 1
40	819 11 24-10	Washer 11/32 x 1-1/2 10 Ga.
41	532 15 50-98	Scale Ind. Height Blk.
49	532 14 52-12	Nut Hex Flange Lock
50	532 11 04-52	Nut, Push Phos & Oil

NOTE: All component dimensions given in U.S. inches
1 inch = 25.4 mm

REPAIR PARTS

TRACTOR - MODEL NO. YTH1542XP (YTH1542XPF), PRODUCT NO. 954 56 72-53
MOWER DECK



REPAIR PARTS

**TRACTOR - MODEL NO. YTH1542XP (YTH1542XPF), PRODUCT NO. 954 56 72-53
MOWER DECK**

KEY NO.	PART NO.	DESCRIPTION	KEY NO.	PART NO.	DESCRIPTION
1	532 16 58-94	Mower Deck Assembly, 42"	91	532 18 05-32	Bracket Asm Noseroller Lh
2	872 14 05-06	Bolt	92	873 80 05-00	Nut Lock Hex 5/16-18
3	532 13 80-17	Bracket Assembly, Sway Bar, Front	94	532 13 22-64	Roller Nose 38"-50"
4	532 16 54-60	Bracket Sway Bar 42" Deck	95	532 18 05-33	Bracket Asm Noseroller Rh
5	532 12 46-70	Retainer Spring	101	532 13 64-20	Mulcher Cover
6	532 17 80-24	Bar Sway Deck	102	871 08 10-10	Screw
8	532 85 08-57	Bolt, Hex 3/8-24 x 1.25 Gr. 8	103	819 06 12-16	Washer #10
9	810 03 06-00	Washer, Lock	104	810 07 10-00	Washer, Lock
10	532 14 02-96	Washer, Hardened	105	532 16 07-93	Latch Assembly, Bagger
11	532 13 84-98	Blade Mower 42" High Perf.	106	532 12 50-04	Nut, Weld
	532 13 41-49	Blade, Mulching	113	817 06 05-12	Screw 5/16-18 x 3/4 Tap R
13	532 13 76-45	Shaft Assembly, Mandrel, Vented	116	532 12 48-42	Bolt, Shoulder
14	532 12 87-74	Housing, Mandrel, Vented	117	532 16 57-46	Wheel, Gauge
15	532 11 04-85	Bearing, Ball, Mandrel	118	873 93 06-00	Nut, Centerlock 3/8-16
16	532 17 44-93	Stripper	119	819 12 14-14	Washer 3/8 x 7/8 x 14 Gauge
18	872 14 05-05	Bolt, Carriage 5/16-18 x 5/8	129	819 13 13-12	Washer 13/32 x 13/16 x Ga.
19	532 13 28-27	Bolt, Shoulder	130	874 78 06-16	Bolt Fin Hex 3/8-16unc x 1 Gr.5
20	532 15 97-70	Baffle, Vortex	131	872 14 06-08	Bolt Rdhd Sqnk 3/8-16unc x 1
21	873 68 05-00	Nut Crownlock 5/16-18 UNC	132	817 06 06-12	Screw 3/8-16 x .75
22	532 13 47-53	Stiffener Bracket	134	532 15 69-41	Pin Head Rivet
23	532 13 12-67	Bracket, Deflector	135	532 17 80-74	Bracket Asm Whl GA R LH
24	532 10 53-04	Cap, Sleeve	136	532 15 59-86	Bar Adjusting GA WHL
25	532 12 37-13	Spring, Torsion, Deflector	137	872 11 05-05	Bolt Carr 5/16-18 x 5/8
26	532 11 04-52	Nut, Push	138	532 17 80-75	Bracket Asm Whl GA R RH
27	532 17 18-59	Shield, Deflector	139	532 17 80-77	Bracket Asm Whl GA F RH
28	819 11 10-16	Washer 11/32 x 5/8 x 16 Ga.	140	532 17 80-76	Bracket Asm Whl GA F LH
29	532 13 14-91	Rod, Hinge	143	532 15 71-09	Bracket Arm Idler 42"
30	532 17 39-84	Screw Thdrol Hex	144	532 17 34-41	Keeper Belt 42" Clutch Cable
31	532 12 99-63	Washer, Spacer	145	532 17 34-37	Pulley Idler Flat
32	532 17 34-36	Pulley, Mandrel	146	532 17 19-77	Bolt Carriage Idler
33	532 17 83-42	Nut, Toplock, Flanged	148	532 16 90-22	Spring Return Idler
34	872 11 06-4	Bolt	149	532 16 58-98	Retainer Spring Yellow Zinc
36	532 17 34-38	Pulley, Idler, Flat	150	819 09 12-16	Washer 9/32 x 3/4 x 16 Ga.
37	819 13 13-16	Washer 13/32 x 13/16 x 16 Gauge	159	872 14 06-14	Bolt Rdhd Sqn 3/8-16 UNC x 1- 3/4
40	873 68 06-00	Nut Crownlock 3/8-16 UNC	182	532 17 91-26	Rod Roller Nose
44	532 14 00-88	Guard, Mandrel, L.H.	183	532 16 35-52	Retainer Spring
45	532 12 47-88	Retainer	--	532 13 07-94	Mandrel Assembly (Includes Housing, Shaft and Shaft Hardware Only - Pulley Not Included)
46	532 13 77-29	Screw, Thd. Roll 1/4-20 x 5/8	--	532 17 60-50	Replacement Mower, Complete
54	532 13 39-43	Washer, Hardened			
55	532 15 50-46	Arm, Idler			
56	532 12 20-52	Spacer, Retainer			
59	532 17 34-42	Guard, TUV Idler			
61	532 17 48-82	Spring Ext Elect Clutch 42" Dck			
68	532 17 48-83	V-Belt			

NOTE: All component dimensions given in U.S. inches
1 inch = 25.4 mm