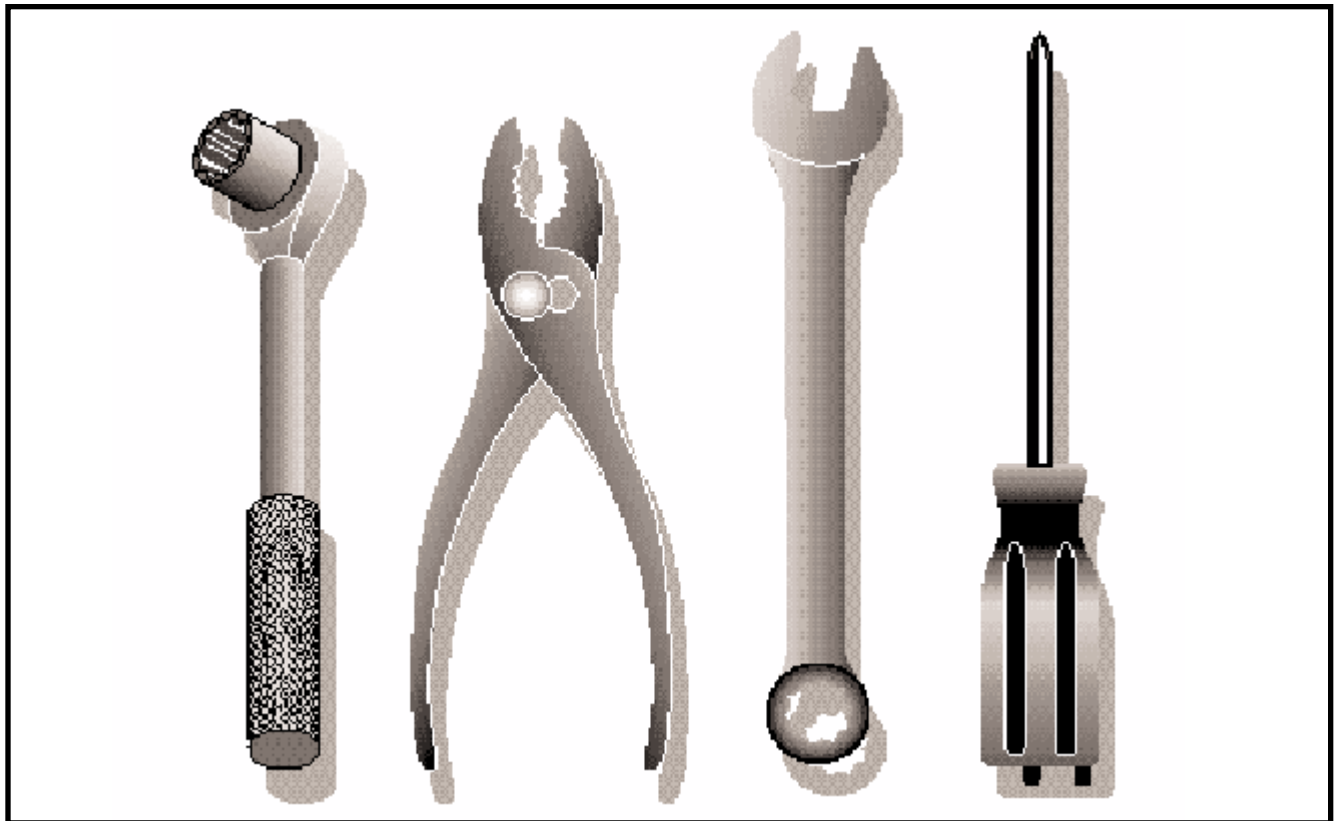




|                           |          |
|---------------------------|----------|
| Illustrated Parts<br>List | 2002-02  |
|                           | 10202008 |

# YTH 1542 XP E

954567253



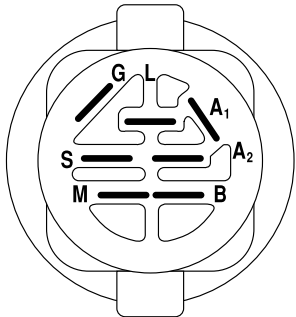
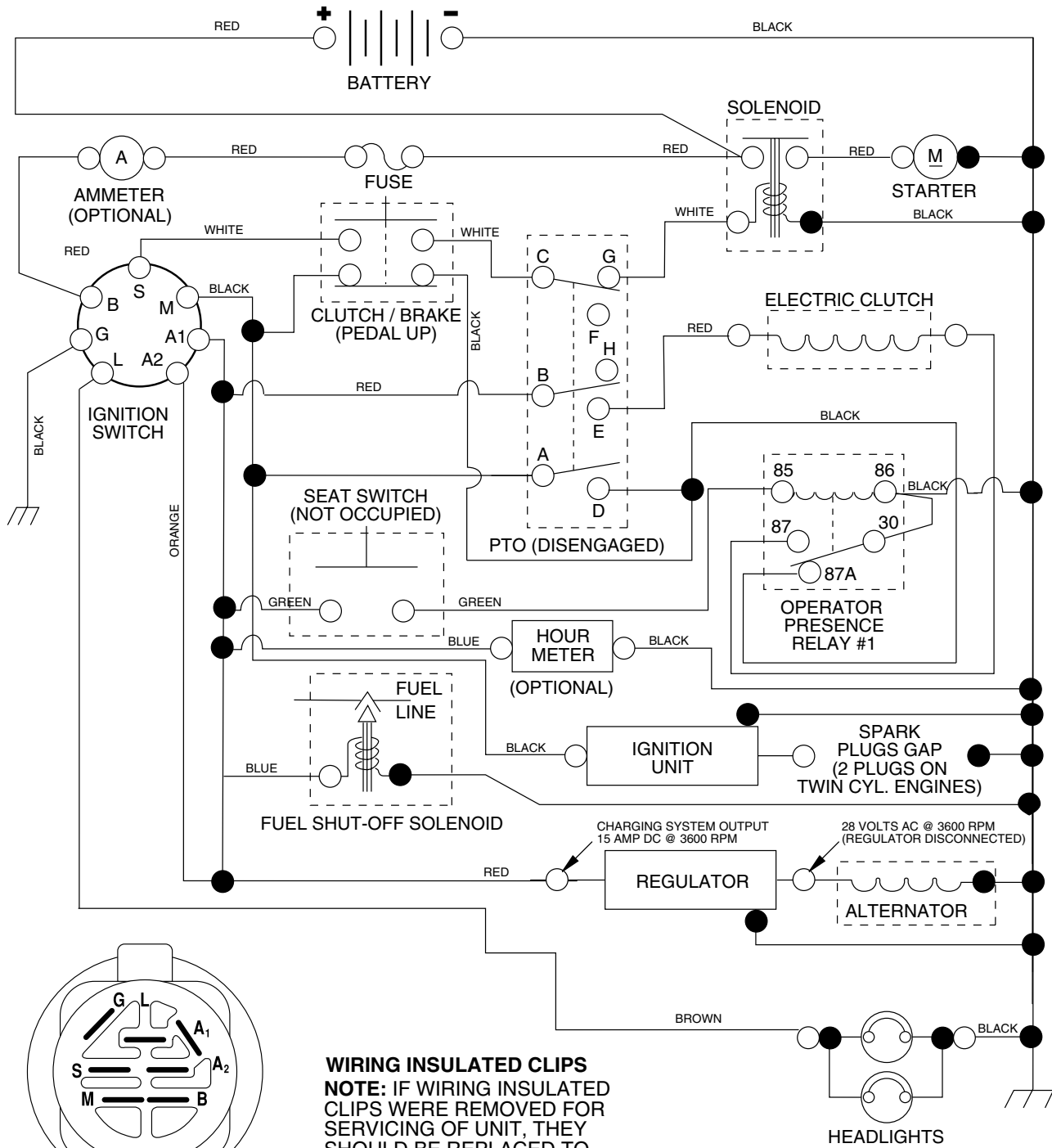
Repair Parts Manual

Ride Mower

# For Husqvarna Parts Call 606-678-9623 or 606-561-4983

## TRACTOR - MODEL NO. YTH1542XP (YTH1542XPE), PRODUCT NO. 954 56 72-53

### SCHEMATIC



**IGNITION SWITCH**

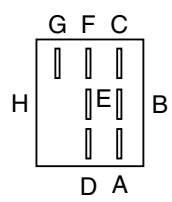
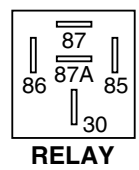
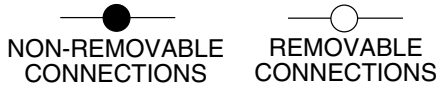
| POSITION  | CIRCUIT    | "MAKE" |
|-----------|------------|--------|
| OFF       | M+G+A1     | NONE   |
| RUN/LIGHT | B+A1       | A2+L   |
| RUN       | B+A1       | NONE   |
| START     | B + S + A1 | NONE   |

**WIRING INSULATED CLIPS**

**NOTE:** IF WIRING INSULATED CLIPS WERE REMOVED FOR SERVICING OF UNIT, THEY SHOULD BE REPLACED TO PROPERLY SECURE YOUR WIRING.

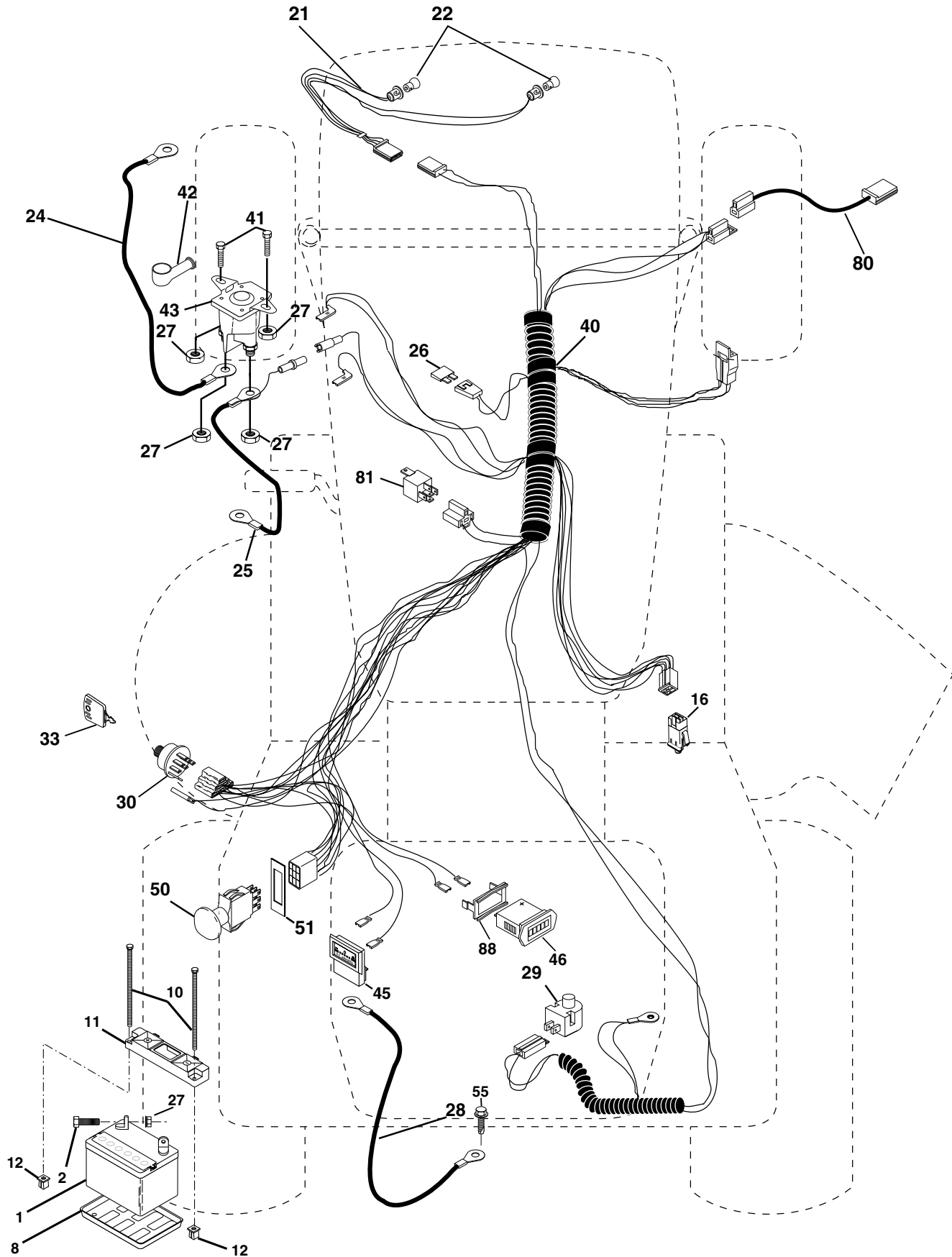
**PTO SWITCH**

| POSITION | CIRCUIT             |
|----------|---------------------|
| OFF      | C + G, B + H        |
| ON       | C + F, B + E, A + D |



**REPAIR PARTS**

**TRACTOR - MODEL NO. YTH1542XP (YTH1542XPE), PRODUCT NO. 954 56 72-53**  
**ELECTRICAL**



## REPAIR PARTS

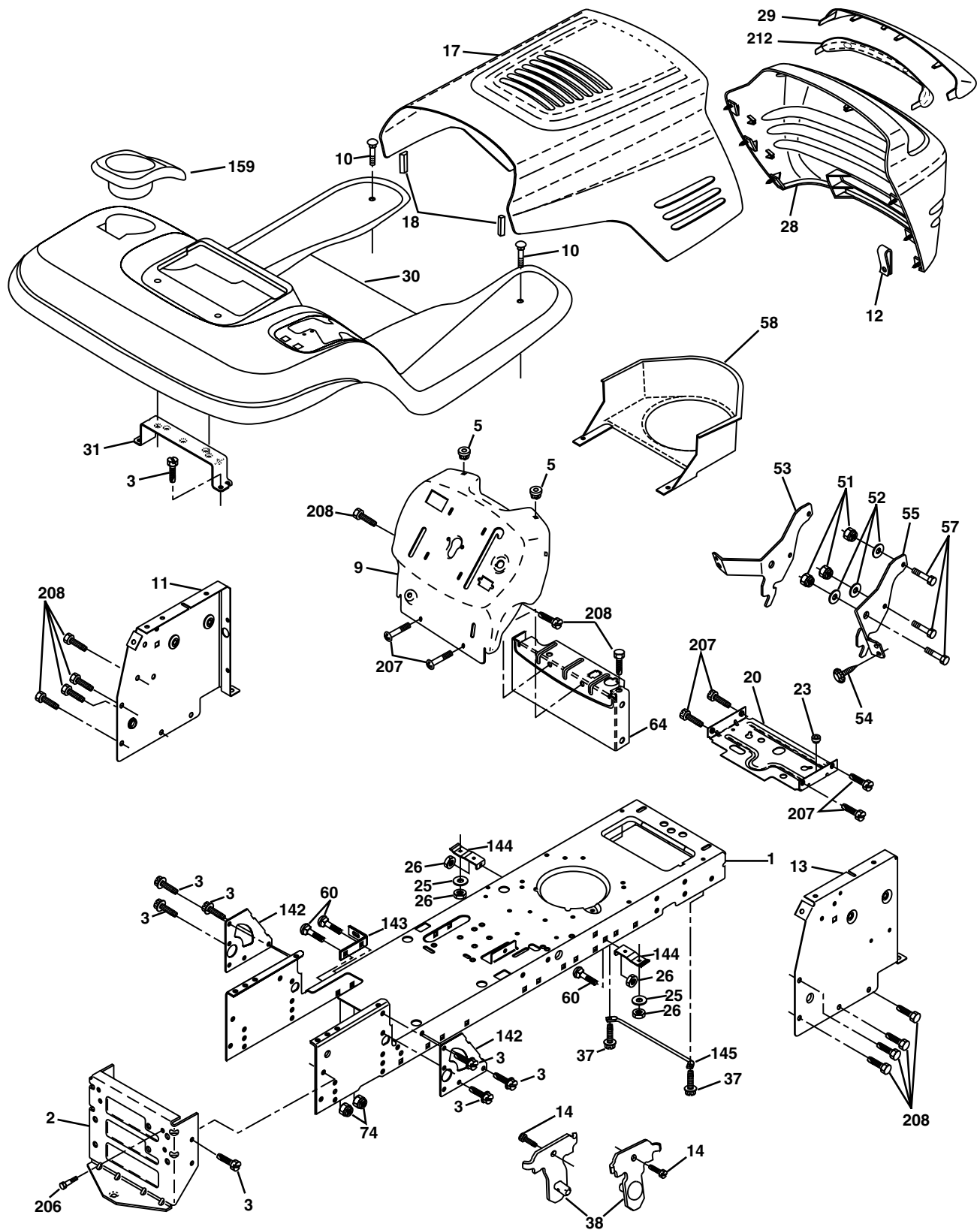
TRACTOR - MODEL NO. YTH1542XP (YTH1542XPE), PRODUCT NO. 954 56 72-53  
ELECTRICAL

| KEY NO. | PART NO.     | DESCRIPTION                          |
|---------|--------------|--------------------------------------|
| 1       | 532 14 49-25 | Battery 12 Volt 25 AMP               |
| 2       | 874 76 04-12 | Bolt Hex Hd 1/4-20unc X 3/4          |
| 8       | 532 12 48-86 | Tray Battery                         |
| 10      | 532 14 52-11 | Bolt Brt Frt 1/4-20 x 75 Ainc        |
| 11      | 532 15 01-09 | Holddown Battery Front Mount         |
| 12      | 532 14 57-69 | Nut Push Nylon 1/4" Battery Frt      |
| 16      | 532 17 61-38 | Switch Interlock Push-In             |
| 21      | 532 16 61-81 | Harness Asm Light W/4152j            |
| 22      | 532 00 41-52 | Bulb Light #1156                     |
| 24      | 532 14 61-48 | Cable Battery 6 Ga 22" red w/16 wire |
| 25      | 532 12 47-80 | Cable Battery 6 Ga 11" red           |
| 26      | 532 17 51-58 | Fuse                                 |
| 27      | 873 51 04-00 | Nut Keps Hex 1/4-20 Unc              |
| 28      | 532 14 54-91 | Cable Ground 6 Ga 21" black          |
| 29      | 532 16 07-84 | Switch Plunger Nc Gray               |
| 30      | 532 17 55-66 | Switch Ign                           |
| 33      | 532 14 04-01 | Key Ign Molded Generic               |
| 40      | 532 17 97-24 | Harness Ign.                         |
| 41      | 871 11 04-08 | Bolt Blk Fin Hex 1/4 - 20 x 1/2      |
| 42      | 532 13 15-63 | Cover Terminal Red                   |
| 43      | 532 17 88-61 | Solenoid                             |
| 45      | 532 12 28-22 | Ammeter Rectangular 15 Amp           |
| 46      | 532 16 96-35 | Meter Hour                           |
| 50      | 532 17 46-51 | Switch PTO                           |
| 51      | 532 14 04-05 | Ring Retainer PTO                    |
| 55      | 817 49 05-08 | Screw Thdrol 5/16-18 x 1-1/2 Tyt     |
| 80      | 532 14 66-85 | Harness Clutch Evx                   |
| 81      | 532 10 97-48 | Relay Asm.                           |
| 89      | 532 16 96-39 | Bracket Snap-In Hourmeter            |

**NOTE:** All component dimensions given in U.S. inches.  
1 inch = 25.4 mm.

# REPAIR PARTS

TRACTOR - MODEL NO. YTH1542XP (YTH1542XPE), PRODUCT NO. 954 56 72-53  
CHASSIS AND ENCLOSURES



## REPAIR PARTS

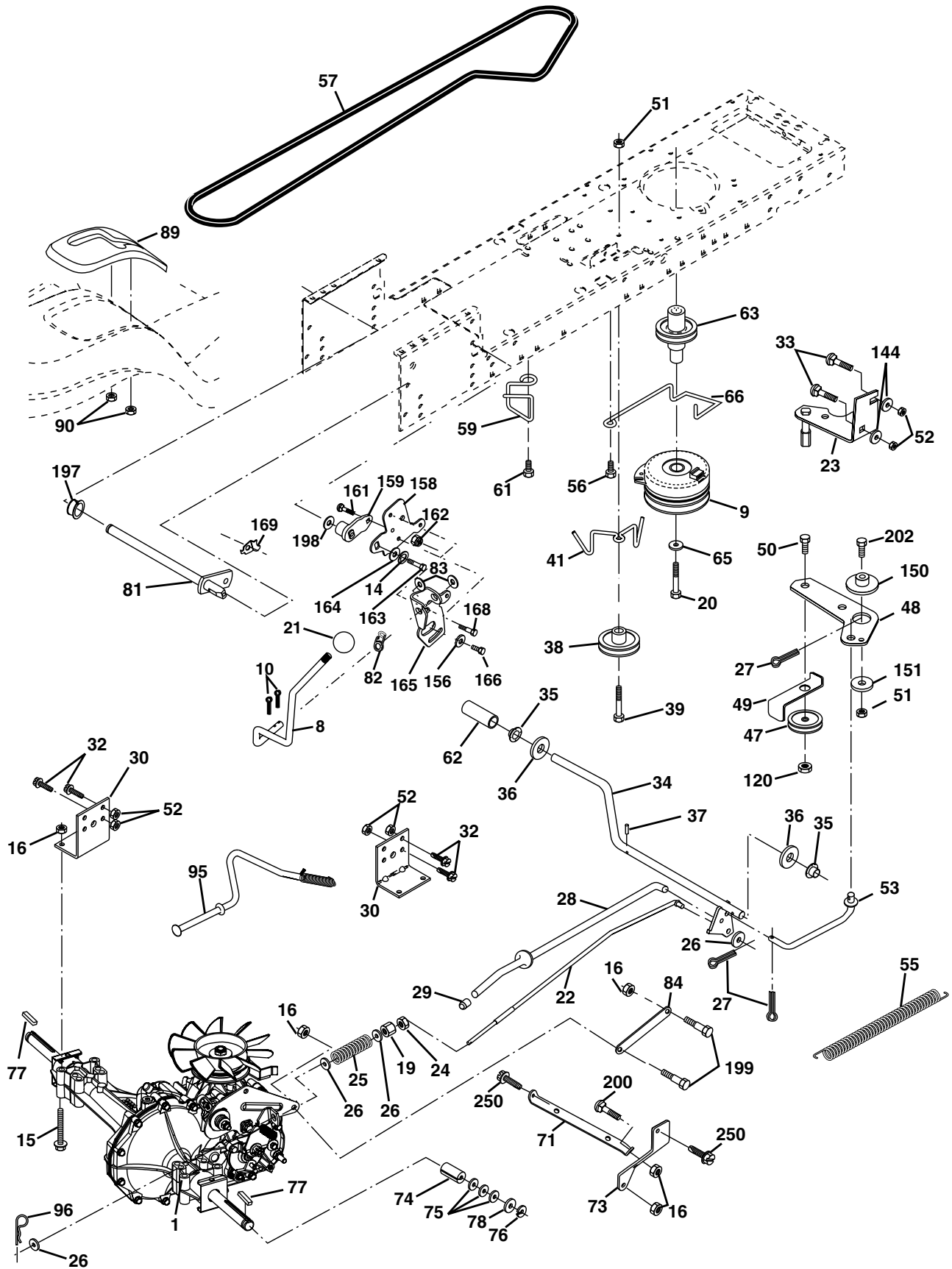
TRACTOR - MODEL NO. YTH1542XP (YTH1542XPE), PRODUCT NO. 954 56 72-53  
CHASSIS AND ENCLOSURES

| KEY NO. | PART NO.     | DESCRIPTION                     |
|---------|--------------|---------------------------------|
| 1       | 532 17 46-19 | Chassis Stamping                |
| 2       | 532 17 65-54 | Drawbar                         |
| 3       | 817 06 06-12 | Screw 3/8-16x3/4                |
| 5       | 532 15 52-72 | Bumper                          |
| 9       | 532 17 16-82 | Dashboard                       |
| 10      | 872 14 06-08 | Bolt Rdhd Sqnk 3/8-16 Unc x 1   |
| 11      | 532 17 49-96 | Panel Dash Lh                   |
| 12      | 532 14 56-60 | Clip Tinnerman Grille           |
| 13      | 532 17 21-06 | Panel Dash Rh                   |
| 14      | 817 49 06-08 | Screw Thdrol 3/8-16 x 1/2       |
| 17      | 532 16 22-37 | Hood                            |
| 18      | 532 12 69-38 | Bumper                          |
| 20      | 532 18 06-79 | Plate Mtg Battery/Fuel Tank     |
| 23      | 532 12 40-28 | Bushing                         |
| 25      | 819 13 13-12 | Washer 13/32 x 13/16 x 12 Ga.   |
| 26      | 873 80 06-00 | Nut Lock w/Insert 3/8-16 UNC    |
| 28      | 532 17 98-45 | Grille Lens Asm                 |
| 29      | 532 17 66-45 | Lens                            |
| 30      | 532 18 10-01 | Fender                          |
| 31      | 532 13 99-76 | Bracket                         |
| 37      | 817 49 05-08 | Screw Thdrol 5/16-18 x 1/2      |
| 38      | 532 17 57-10 | Bracket Asm Pivot Mower Rear    |
| 51      | 873 80 04-00 | Nut Lock w/Insert 1/4-20        |
| 52      | 819 09 14-16 | Washer 9/32 x 7/8 x 16 Ga.      |
| 53      | 532 14 46-97 | Bracket Grille Lh               |
| 54      | 532 16 14-64 | Screw Hex Wshd 8-18 x 7/8       |
| 55      | 532 14 46-96 | Bracket Grille Rh               |
| 57      | 874 78 04-12 | Bolt Fin Hex 1/4-20 Unc x 3/4   |
| 58      | 532 17 49-30 | Duct Air                        |
| 60      | 872 14 06-06 | Bolt RDHD SQNK 3/8-16 x 3/4     |
| 64      | 532 15 47-98 | Dash Lower Stlt                 |
| 74      | 873 68 06-00 | Nut Crownlock 3/8-16            |
| 142     | 532 17 57-02 | Plate Reinforcement Stlt        |
| 143     | 532 15 49-66 | Bracket Swaybar Chassis         |
| 144     | 532 17 55-82 | Bracket Ft Rest                 |
| 145     | 532 15 65-24 | Rod Pivot Chassis Hood          |
| 159     | 532 16 65-08 | Cupholder YTGT Grey             |
| 206     | 532 17 01-65 | Bolt Shoulder 5/16-18 TT        |
| 207     | 817 67 05-08 | Screw Thdrol 5/16-18 x 1/2 TYTT |
| 208     | 817 67 06-08 | Screw Thdrol 3/8-16 x 1/2 Ty-TT |
| 212     | 532 15 62-29 | Insert Lens Reflect             |

**NOTE:** All component dimensions given in U. S. inches.  
1 inch = 25.4 mm

# REPAIR PARTS

TRACTOR - MODEL NO. YTH1542XP (YTH1542XPE), PRODUCT NO. 954 56 72-53  
DRIVE



## REPAIR PARTS

TRACTOR - MODEL NO. YTH1542XP (YTH1542XPE), PRODUCT NO. 954 56 72-53  
DRIVE

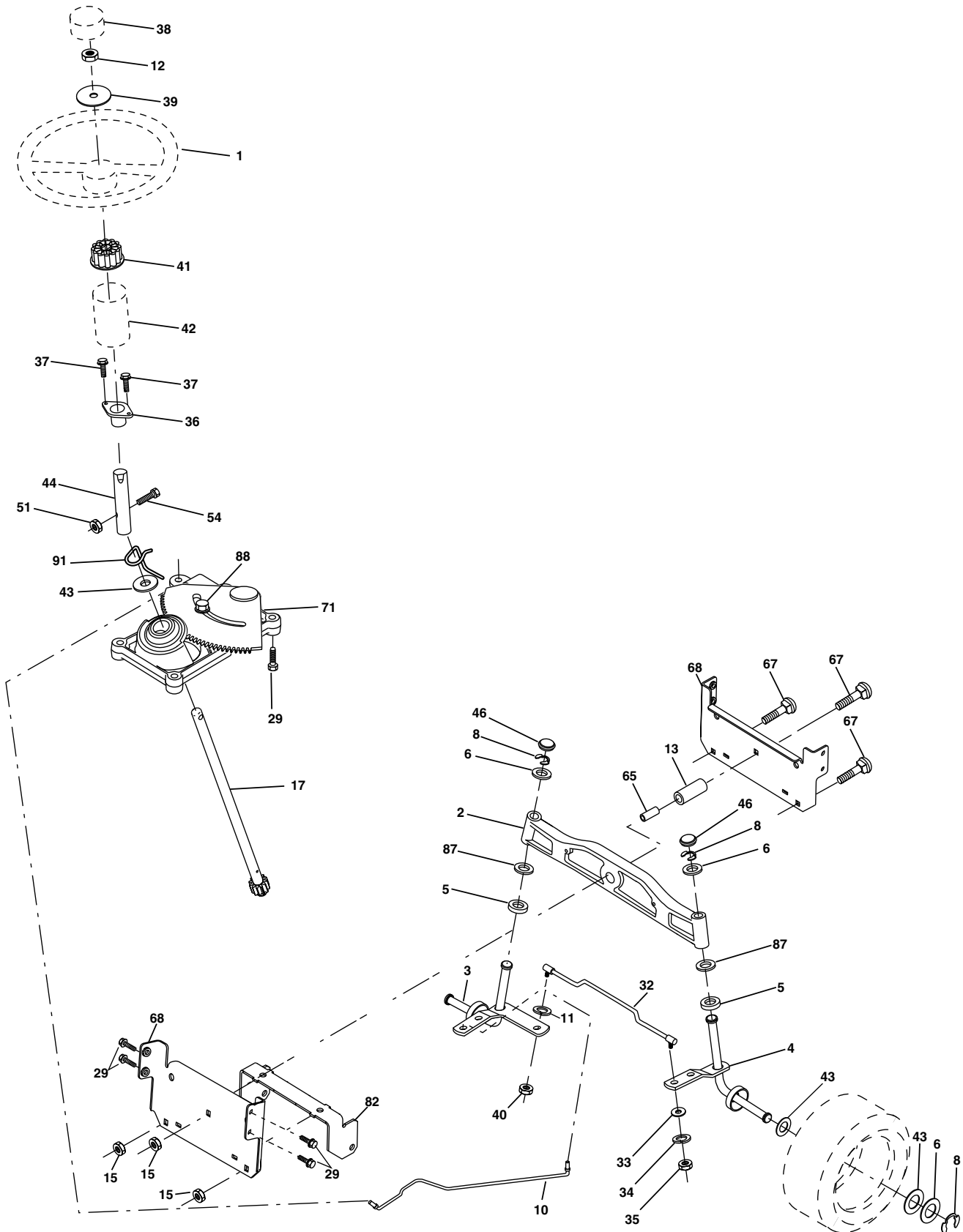
| KEY NO. | PART NO.     | DESCRIPTION                                                               | KEY NO. | PART NO.     | DESCRIPTION                      |
|---------|--------------|---------------------------------------------------------------------------|---------|--------------|----------------------------------|
| 1       | -----        | Transaxle, Hydro 314-0510<br>(Order Parts From Transaxle<br>Manufacturer) | 62      | 532 12 48-72 | Cover, Pedal                     |
| 8       | 532 16 58-66 | Rod Shift Fender Adjust STLT                                              | 63      | 532 17 54-14 | Pulley, Engine                   |
| 9       | 532 16 08-89 | Clutch Electric                                                           | 65      | 810 04 07-00 | Washer Lock Hvy HLCL Spr 7/16    |
| 10      | 876 02 04-16 | Pin Cotter 1/8 x 1 CAD                                                    | 66      | 532 15 47-78 | Keeper Belt Engine               |
| 14      | 810 04 04-00 | Washer Lock Hvy Helical                                                   | 71      | 532 16 91-83 | Strap Torque Lh Hydro            |
| 15      | 874 49 05-44 | Bolt Hex 5/16-18 Unc Flghd                                                | 73      | 532 16 91-82 | Strap Torque Rh Hydro            |
| 16      | 873 80 05-00 | Nut Lock Hex W/Ins. 5/16-18 Unc P                                         | 74      | 532 13 70-57 | Spacer, Axle                     |
| 19      | 873 80 06-00 | Nut Lock Hex W/Ins 3/8-16 Unc                                             | 75      | 532 12 17-49 | Washer 25/32 x 1-1/4 x 16 Ga.    |
| 20      | 532 15 02-80 | Bolt, Hex 7/16-20 x 4-1/4                                                 | 76      | 812 00 00-01 | E-Ring                           |
| 21      | 532 14 08-45 | Knob Deluxe 1/2-13 UNC BLK/BLK                                            | 77      | 532 12 35-83 | Key, Square                      |
| 22      | 532 16 94-98 | Rod, Brake Hydro                                                          | 78      | 532 12 17-48 | Washer 25/32 x 1-5/8 x 16 Ga     |
| 23      | 532 17 12-58 | Bracket Asm Anti-Rot EVX                                                  | 81      | 532 16 55-96 | Shaft Asm Cross Tapered          |
| 24      | 873 35 06-00 | Nut Hex Jam 3/8-16 UNC                                                    | 82      | 532 16 57-11 | Spring Torsion T/A               |
| 25      | 532 10 68-88 | Spring, Brake Rod                                                         | 83      | 819 17 12-16 | Washer 17/32 x 3/4 x 16 Ga.      |
| 26      | 819 13 13-16 | Washer                                                                    | 84      | 532 16 95-94 | Link Transaxle                   |
| 27      | 876 02 04-12 | Pin Cotter 1/8 x 3/4 CAD.                                                 | 89      | 532 16 65-10 | Console, Shift                   |
| 28      | 532 17 57-65 | Rod, Parking Brake                                                        | 90      | 532 12 43-46 | Nut Self Thd 1/4                 |
| 29      | 532 07 16-73 | Cap, Parking Brake                                                        | 95      | 532 17 02-01 | Control Asm. Bypass Hydro        |
| 30      | 532 16 95-92 | Bracket, Transaxle                                                        | 96      | 532 12 47-88 | Retainer Spring 1" Zinc/Cad      |
| 32      | 874 76 05-12 | Bolt Hex Hd 5/16-18 Unc x 3/4                                             | 120     | 873 90 06-00 | Nut Lock Flg 3/8-16              |
| 33      | 872 14 05-06 | Bolt Carriage 5/16-18unc x 3/4                                            | 144     | 819 11 10-16 | Washer 11/32 x 5/8 x 16 Ga.      |
| 34      | 532 17 55-78 | Shaft, Foot Pedal                                                         | 150     | 532 17 54-56 | Spacer Retainer                  |
| 35      | 532 12 01-83 | Bearing, Nylon                                                            | 151     | 819 13 32-10 | Washer 13/32 x 2 x 10 Ga.        |
| 36      | 819 21 16-16 | Washer                                                                    | 156     | 532 16 60-02 | Washer Srrted 5/16ID x 1.125     |
| 37      | 532 12 49-63 | Pin, Roll                                                                 | 158     | 532 16 55-89 | Bracket Shift Mount              |
| 38      | 532 17 91-14 | Pulley, Composite, Flat                                                   | 159     | 532 16 54-94 | Hub Tapered Flange Shift Lt      |
| 39      | 874 76 06-48 | Bolt, Fin, Hex 3/8-16 x 3                                                 | 161     | 872 14 04-06 | Bolt Rdhd Sqnk 1/4-20 x 3/4 Gr 5 |
| 41      | 532 17 55-56 | Keeper, Belt Idler                                                        | 162     | 873 68 04-00 | Nut Crownlock 1/4-20 Unc         |
| 47      | 532 12 77-83 | Pulley, Idler, V-Groove Plastic                                           | 163     | 874 78 04-16 | Bolt Hex Fin 1/4-20 Unc x 1 Gr 5 |
| 48      | 532 15 44-07 | Bellcrank Clutch Grnd Drv STL                                             | 164     | 819 09 10-10 | Washer 5/8 x .281 x 10 Ga        |
| 49      | 532 12 32-05 | Retainer, Belt Style Spring                                               | 165     | 532 16 56-23 | Bracket Pivot Lever              |
| 50      | 874 76 06-24 | Bolt Hex Hd 3/8-16 Unc x 1-1/2                                            | 166     | 532 16 68-80 | Screw 5/16-18 x 5/8              |
| 51      | 873 68 06-00 | Nut                                                                       | 168     | 532 16 54-92 | Bolt Shoulder 5/16-18 x .561     |
| 52      | 873 68 05-00 | Nut Crown Lock 5/16-18                                                    | 169     | 532 16 55-80 | Plate Fastening STLT/CRD         |
| 53      | 532 10 57-10 | Link, Clutch                                                              | 197     | 532 16 96-13 | Nyliner Snap 5/8" ID             |
| 55      | 532 10 57-09 | Spring, Return, Clutch                                                    | 198     | 532 16 95-93 | Washer Nyl 7/8 ID x .105 Hyd     |
| 56      | 817 06 06-20 | Screw 3/8-16 x 1.0                                                        | 199     | 532 16 96-12 | Bolt Shoulder 5/16-18 Unc        |
| 57      | 532 14 02-94 | V-Belt, Ground Drive                                                      | 200     | 872 14 05-08 | Bolt Rdhd Sqnk 5/16-18 Unc x 1   |
| 59      | 532 16 96-91 | Keeper, Center Span                                                       | 202     | 872 11 06-14 | Bolt 3/8-16 Unc x 1-3/4 Gr. 5    |
| 61      | 817 12 06-14 | Screw 3/8-16 x .875                                                       | 250     | 817 06 06-12 | Screw 3/8-16 x .75               |

**NOTE:** All component dimensions given in U.S. inches  
1 inch = 25.4 mm



# REPAIR PARTS

TRACTOR - MODEL NO. YTH1542XP (YTH1542XPE), PRODUCT NO. 954 56 72-53  
STEERING ASSEMBLY



## REPAIR PARTS

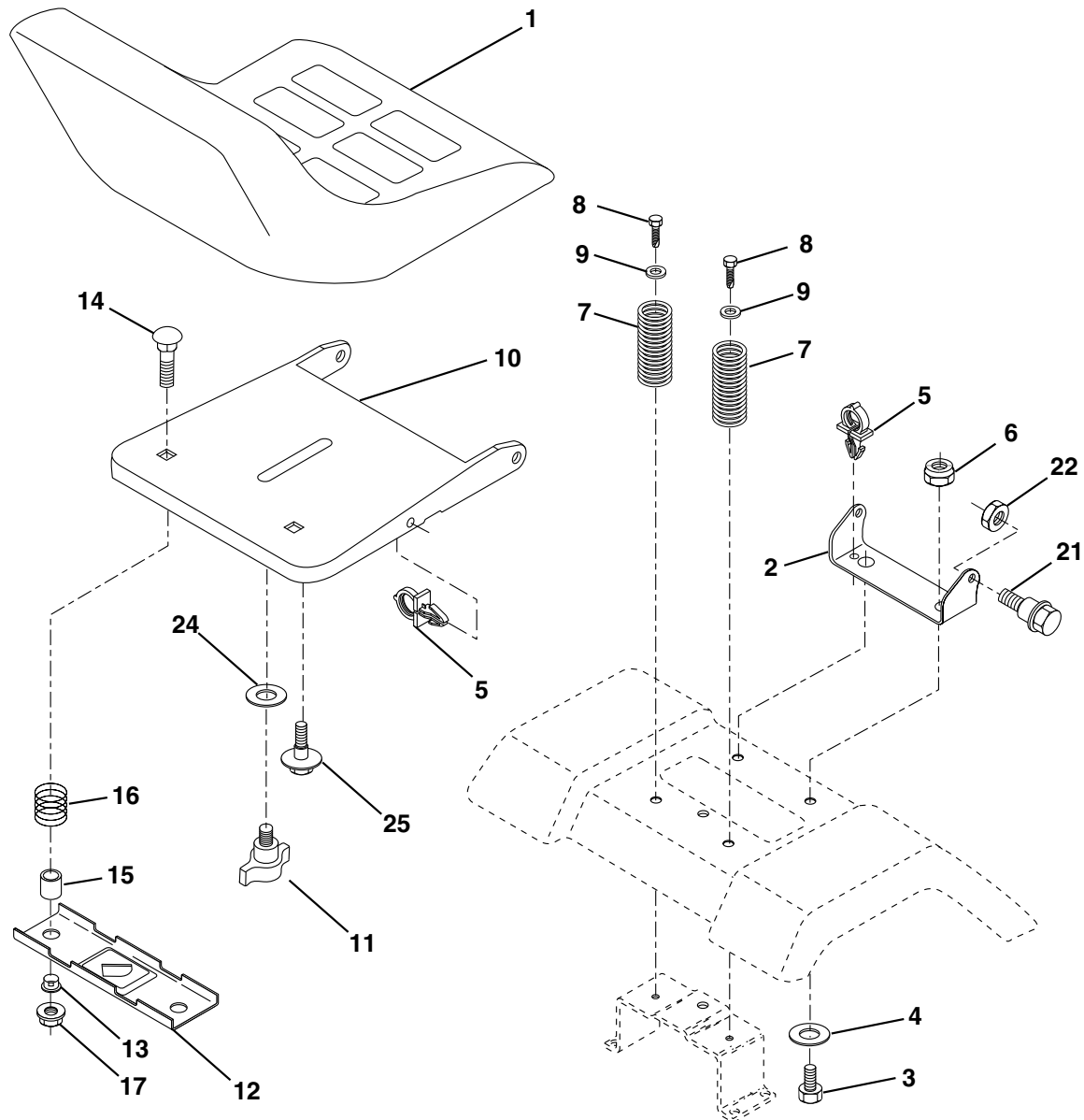
TRACTOR - MODEL NO. YTH1542XP (YTH1542XPE), PRODUCT NO. 954 56 72-53  
STEERING ASSEMBLY

| KEY NO. | PART NO.            | DESCRIPTION                        |
|---------|---------------------|------------------------------------|
| 1       | 532 16 66-27        | Wheel Steering                     |
| 2       | 532 17 23-93        | Axle Cast Lt Machined              |
| 3       | 532 16 98-40        | Spindle Asm LH                     |
| 4       | 532 16 98-39        | Spindle Asm RH                     |
| 5       | 532 12 49-31        | Bearing Race Thrust Harden         |
| 6       | 532 12 17-48        | Washer 25/32 X 1-5/8 X 16 Ga       |
| 8       | 812 00 00-29        | Ring Klip #t5304-75                |
| 10      | 532 17 51-21        | Link Drag                          |
| 11      | 810 04 06-00        | Washer Lock Hvy Hlcl Spr 3/8       |
| 12      | <b>873 94 08-00</b> | Nut Hex Jam Toplock 1/2-20         |
| 13      | 532 13 65-18        | Spacer Brg Axle Front              |
| 15      | 532 14 52-12        | Nut Hex Flange Lock                |
| 17      | <b>532 18 06-41</b> | Shaft Asm Strg                     |
| 29      | 817 06 06-12        | Screw 3/8-16x3/4                   |
| 32      | 532 17 18-88        | Rod Tie                            |
| 33      | 819 11 12-16        | Washer 11/32 x 3/4 x 16 Ga.        |
| 34      | 810 04 05-00        | Washer Lock Hvy Helical 5/16       |
| 35      | 873 54 05-00        | Nut Crown Lock 5/16-24Unf          |
| 36      | 532 15 50-99        | Bushing Strg                       |
| 37      | 532 15 29-27        | Screw                              |
| 38      | 532 16 66-26        | Insert Cap Strg Wh                 |
| 39      | <b>819 18 24-11</b> | Washer 9/16 ID x 1-1/2 OD x 11 Ga. |
| 40      | 532 12 47-01        | Lock nut                           |
| 41      | 532 15 99-45        | Adaptor Wheel Strg                 |
| 42      | 532 16 96-34        | Boot Steering Shaft                |
| 43      | 532 12 17-49        | Washer 25/32 X 1 1/4 X 16 Ga       |
| 44      | <b>532 18 06-40</b> | Extension Steering Shaft LR/LT     |
| 46      | 532 12 12-32        | Cap Spindle Fr Top Blk             |
| 51      | <b>873 54 04-00</b> | Nut Crownlock 1/4-28               |
| 54      | <b>871 13 04-20</b> | Bolt Hex 1/4-28 UNF x 1-1/4 Gr. 8  |
| 65      | 532 16 03-67        | Spacer Brace Axle                  |
| 67      | 872 14 06-18        | Bolt Rdhd Sq 3/8-16 x 2-1/4        |
| 68      | 532 16 98-27        | Axle, Brace                        |
| 71      | 532 17 51-46        | Steering Asm                       |
| 82      | 532 16 98-35        | Bracket Susp Chassis Front         |
| 87      | 532 17 39-66        | Washer Flat .781 x 1-1/2 x .14     |
| 88      | 532 17 51-18        | Bolt Shoulder 7/16-20              |
| 91      | 532 17 55-53        | Clip Steering                      |

**NOTE:** All component dimensions given in U.S. inches.  
1 inch = 25.4 mm.

## REPAIR PARTS

TRACTOR - MODEL NO. YTH1542XP (YTH1542XPE), PRODUCT NO. 954 56 72-53  
SEAT ASSEMBLY



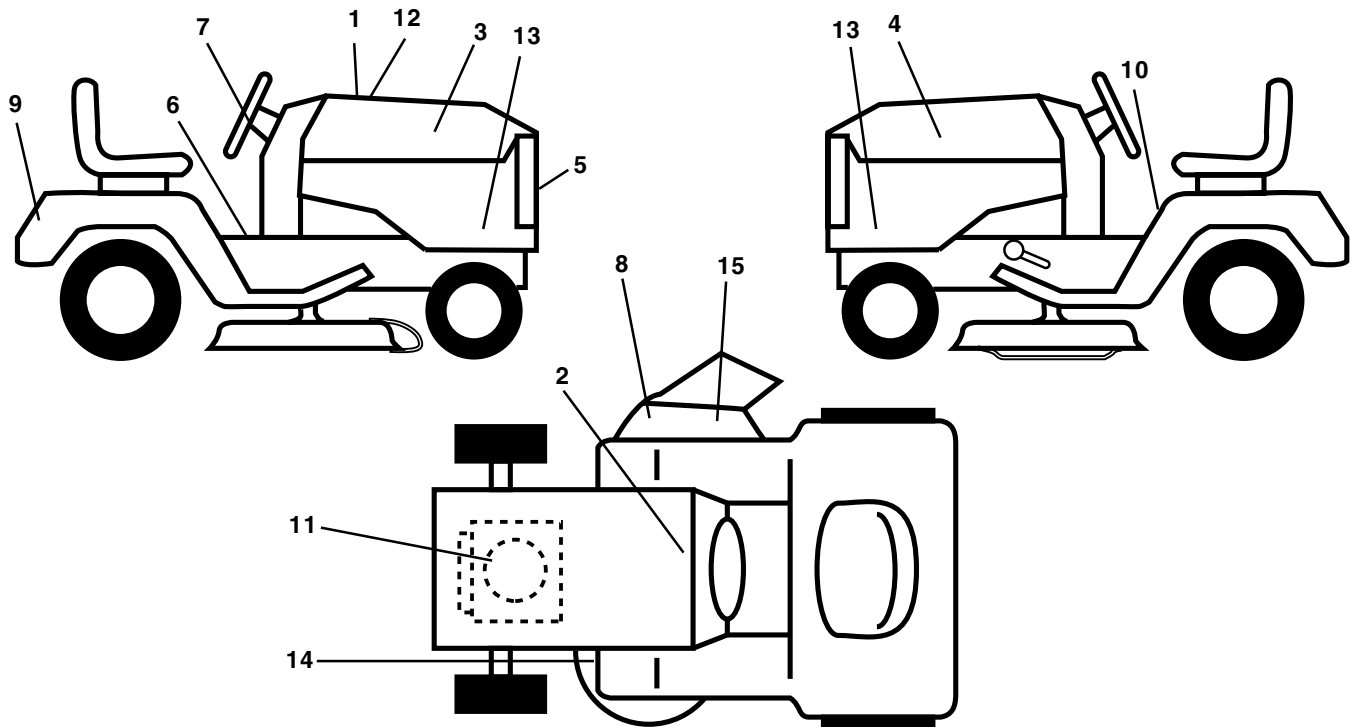
| KEY NO. | PART NO.     | DESCRIPTION                      |
|---------|--------------|----------------------------------|
| 1       | 532 14 08-40 | Seat                             |
| 2       | 532 14 05-51 | Bracket Pivot Seat 8 720         |
| 3       | 871 11 06-16 | Bolt Fin Hex 3/8-16 x 1          |
| 4       | 819 13 16-10 | Washer Flat 13/32 x 1.0 x 10 Ga. |
| 5       | 532 14 50-06 | Clip Push-In                     |
| 6       | 873 80 06-00 | Nut Hex w/Ins. 3/8-16 Unc        |
| 7       | 532 12 41-81 | Spring Seat Cprsn 2 250 Blk Zi   |
| 8       | 817 00 06-16 | Screw 3/8-16 x 1                 |
| 9       | 819 13 16-14 | Washer 13/32 x 1.0 x 14 Ga.      |
| 10      | 532 17 48-94 | Pan Seat                         |
| 11      | 532 16 63-69 | Knob Seat Adj Wingnut            |
| 12      | 532 12 12-46 | Bracket Mounting Switch          |

| KEY NO. | PART NO.     | DESCRIPTION                     |
|---------|--------------|---------------------------------|
| 13      | 532 12 12-48 | Bushing Snap Blk Nyl 50 Id      |
| 14      | 872 05 04-12 | Bolt Rdhd Sqnk 1/4-20x1-1/2     |
| 15      | 532 12 12-49 | Spacer Split 28 x .88 Zinc      |
| 16      | 532 12 37-40 | Spring Cprsn Plate              |
| 17      | 532 12 39-76 | Nut Lock 1/4 Lge Flg Gr 5 Zinc  |
| 21      | 532 17 18-52 | Bolt Shoulder 5/16-18 Unc       |
| 22      | 873 80 05-00 | Nut Hex Lock W/Ins 5/16-18      |
| 24      | 819 17 19-12 | Washer 17/32 X 1 -3/16 X 12 Ga. |
| 25      | 532 12 70-18 | Bolt Shoulder 5/16-18 X 62      |

**NOTE:** All component dimensions given in U.S. inches.  
1 inch = 25.4 mm

## REPAIR PARTS

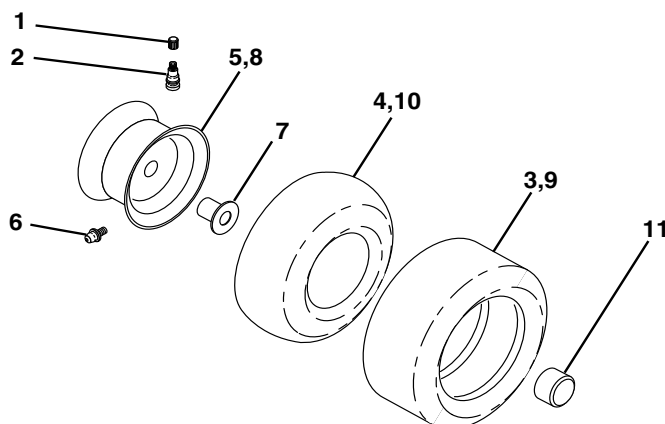
TRACTOR - MODEL NO. YTH1542XP (YTH1542XPE), PRODUCT NO. 954 56 72-53  
DECALS



| KEY NO. | PART NO.     | DESCRIPTION                  |
|---------|--------------|------------------------------|
| 1       | 532 18 09-41 | Decal Hood Cust. Resp.       |
| 2       | 532 14 50-05 | Decal Battery                |
| 3       | 532 18 00-89 | Decal Hood RH                |
| 4       | 532 18 00-90 | Decal Hood LH                |
| 5       | 532 15 06-16 | Decal Grille                 |
| 6       | 532 15 70-32 | Decal Fender Oper            |
| 7       | 532 17 05-64 | Decal Wheel Steering         |
| 8       | 532 17 05-63 | Decal Warning Keep Hand Away |
| 9       | 532 17 68-22 | Decal Fender Husq            |
| 10      | 532 15 71-40 | Decal Fender Danger E/F      |
| 11      | 532 18 00-92 | Decal Engine                 |

| KEY NO. | PART NO.            | DESCRIPTION                    |
|---------|---------------------|--------------------------------|
| 12      | 532 18 10-65        | Decal Hood                     |
| 13      | 532 18 00-91        | Decal Hoodsidess Kawa VTWN     |
| 14      | 532 16 03-96        | Decal V-Belt Schematic         |
| 15      | 532 17 91-28        | Decal Deck "B" 42"             |
| --      | 532 10 62-02        | Reflector Tail Light           |
| --      | 532 17 12-84        | Pad Footrest LH                |
| --      | 532 17 12-85        | Pad Footrest RH                |
| --      | 532 13 83-11        | Decal Handle Lft Height Adjust |
| --      | 532 16 92-10        | Decal By Pass Lt Hydro         |
| --      | <b>532 18 32-00</b> | Manual Owner's (English)       |
| --      | <b>532 18 32-01</b> | Manual Owner's (French)        |

## WHEELS & TIRES

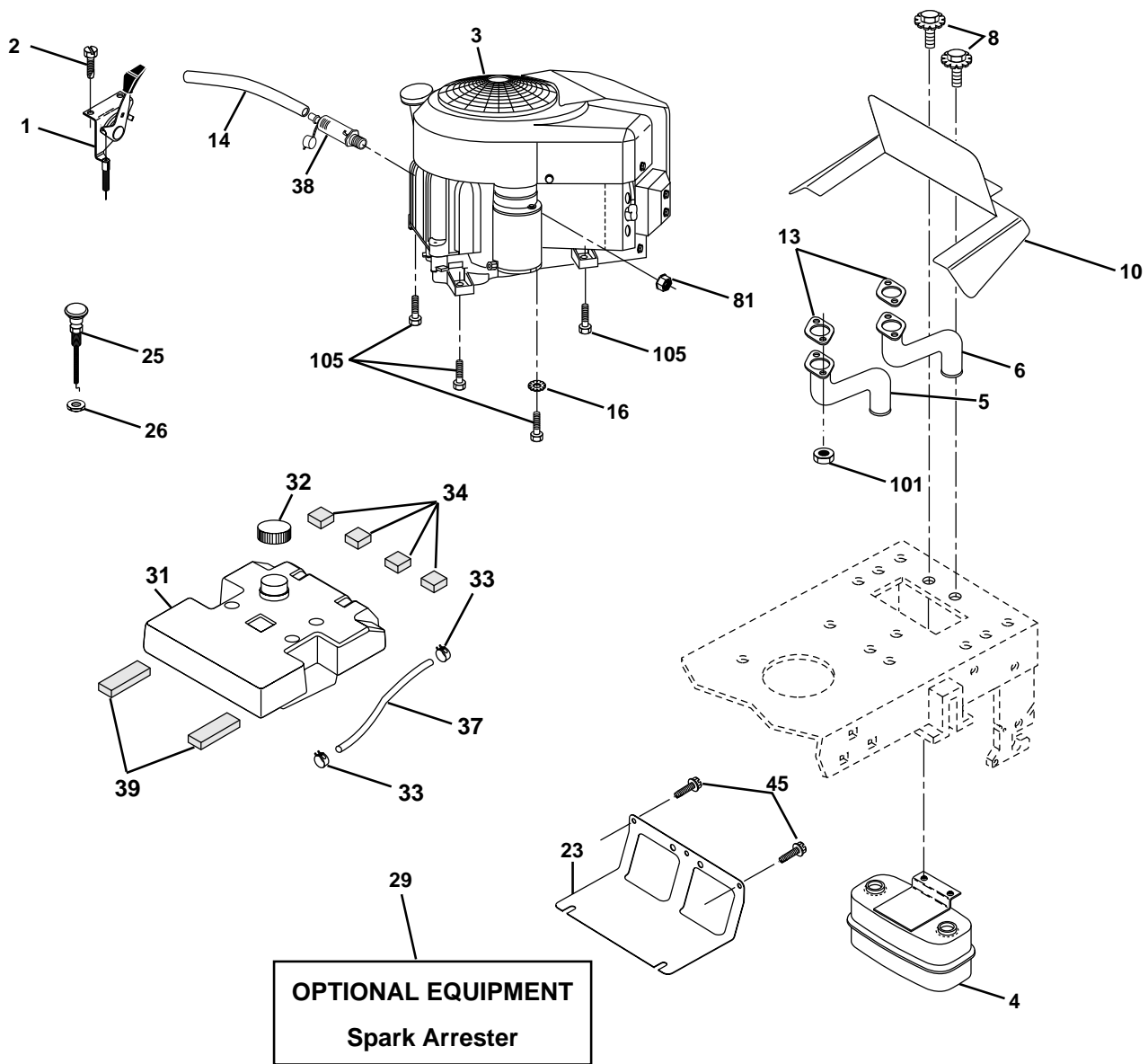


| KEY NO. | PART NO.     | DESCRIPTION                       |
|---------|--------------|-----------------------------------|
| 1       | 532 05 91-92 | Cap Valve Tire                    |
| 2       | 532 06 51-39 | Stem Valve                        |
| 3       | 532 10 62-22 | Tire F Ts 15 X 6 0 - 6 Service    |
| 4       | 532 05 99-04 | Tube Front (Service Item Only)    |
| 5       | 532 13 83-36 | Rim Asm 6"front Silver Service    |
| 6       | 532 12 49-57 | Fitting Grease (Front Wheel Only) |
| 7       | 532 12 49-59 | Bearing Flange (Front Wheel Only) |
| 8       | 532 13 83-37 | Rim Asm 8"rear Silver Service     |
| 9       | 532 12 20-82 | Tire R Ts 20x10-8 C Service       |
| 10      | 532 12 49-26 | Tube Rear (Service Item Only)     |
| 11      | 532 17 50-39 | Cap Axle Blk 1 50 X 1 00          |
| --      | 532 14 43-34 | Sealant, Tire ( 10 oz. Tube)      |

**NOTE:** All component dimensions given in U.S. inches  
1 inch = 25.4 mm

# REPAIR PARTS

TRACTOR - MODEL NO. YTH1542XP (YTH1542XPE), PRODUCT NO. 954 56 72-53  
ENGINE

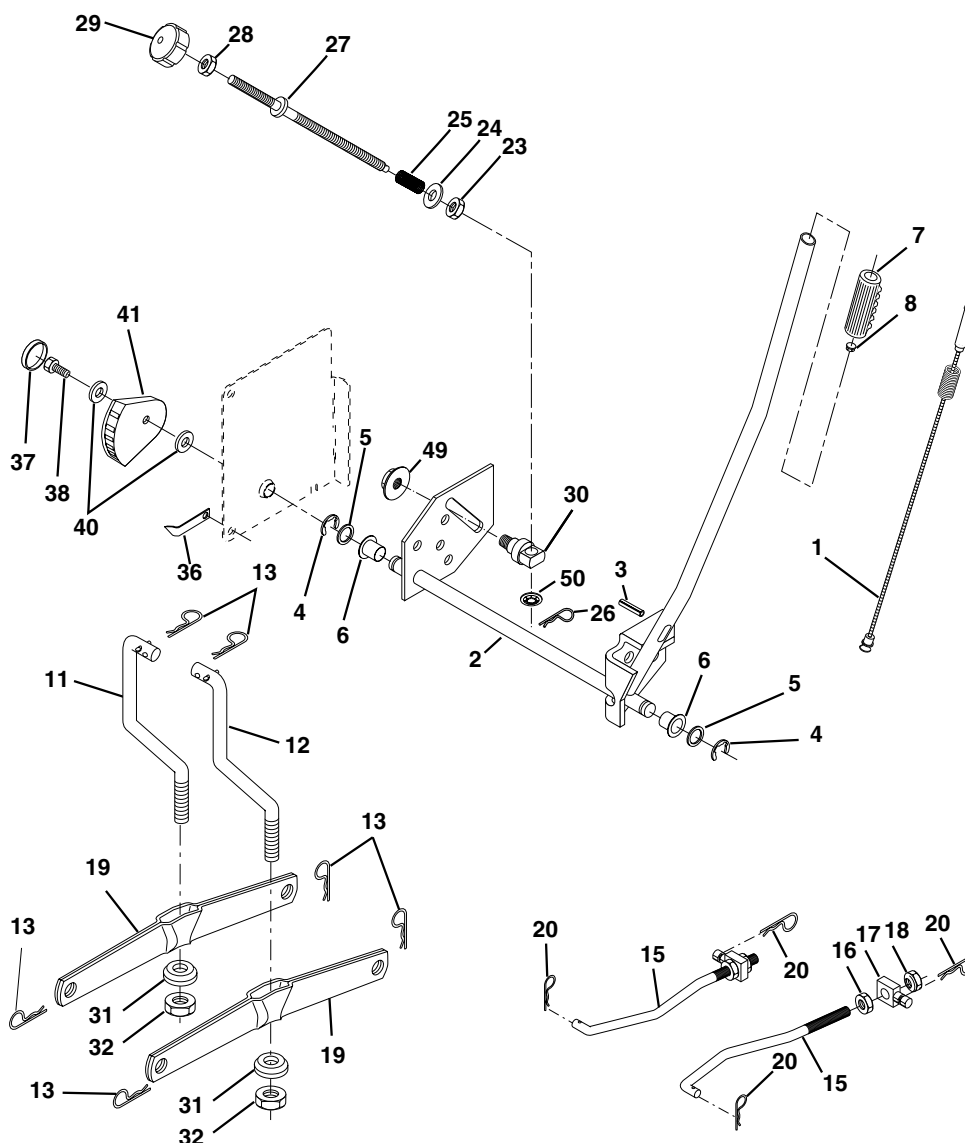


| KEY NO. | PART NO.     | DESCRIPTION                                                  | KEY NO. | PART NO.     | DESCRIPTION                                     |
|---------|--------------|--------------------------------------------------------------|---------|--------------|-------------------------------------------------|
| 1       | 532 17 08-03 | Control Throt Flg                                            | 26      | 873 92 06-00 | Nut, Keps 3/8-24 Unf                            |
| 2       | 817 72 04-08 | Screw Hex Thd Cut 1/4-20x5/8 T                               | 29      | 532 13 71-80 | Kit Spark Arrestor (Flat Scrn)                  |
| 3       | -----        | Engine KAWA FH451V<br>(Order Parts from Engine Manufacturer) | 31      | 532 15 71-03 | Tank Fuel 3 50 Rear                             |
| 4       | 532 14 97-23 | Muffler Asm Twin Lo-Tone                                     | 32      | 532 16 16-96 | Cap Asm Fuel Gauge                              |
| 5       | 532 17 60-67 | Exhaust Tube Lh                                              | 33      | 532 12 34-87 | Clamp Hose Blk                                  |
| 6       | 532 17 60-68 | Exhaust Tube Rh                                              | 34      | 532 10 60-82 | Pad, Spacer                                     |
| 8       | 532 17 18-77 | Bolt 5/16-18unc x 3/4 W/Sems                                 | 37      | 532 14 21-58 | Line Fuel                                       |
| 10      | 532 14 66-29 | Shield Browning                                              | 38      | -----        | Plug Drain Oil (Order from Engine Manufacturer) |
| 13      | -----        | Gasket Muffler (Order from Engine Manufacturer)              | 39      | 532 10 92-27 | Pad, Idler                                      |
| 14      | 532 14 84-56 | Tube Drain Oil Easy                                          | 45      | 817 00 06-12 | Screw Hexwsh Thdr 3/8-16 x 3/4                  |
| 16      | 811 05 06-00 | Washer Lock Ext Tooth 3/8                                    | 81      | 873 51 04-00 | Nut Keps Hex 1/4-20                             |
| 23      | 532 16 98-37 | Shield Browning                                              | 101     | 532 16 33-05 | Nut Flange M8-1.25                              |
| 25      | 532 13 27-82 | Choke Control                                                | 105     | 817 12 06-16 | Screw 3/8-16 x 1                                |

**NOTE:** All component dimensions given in U.S. inches  
1 inch = 25.4 mm

# REPAIR PARTS

TRACTOR - MODEL NO. YTH1542XP (YTH1542XPE), PRODUCT NO. 954 56 72-53  
MOWER LIFT



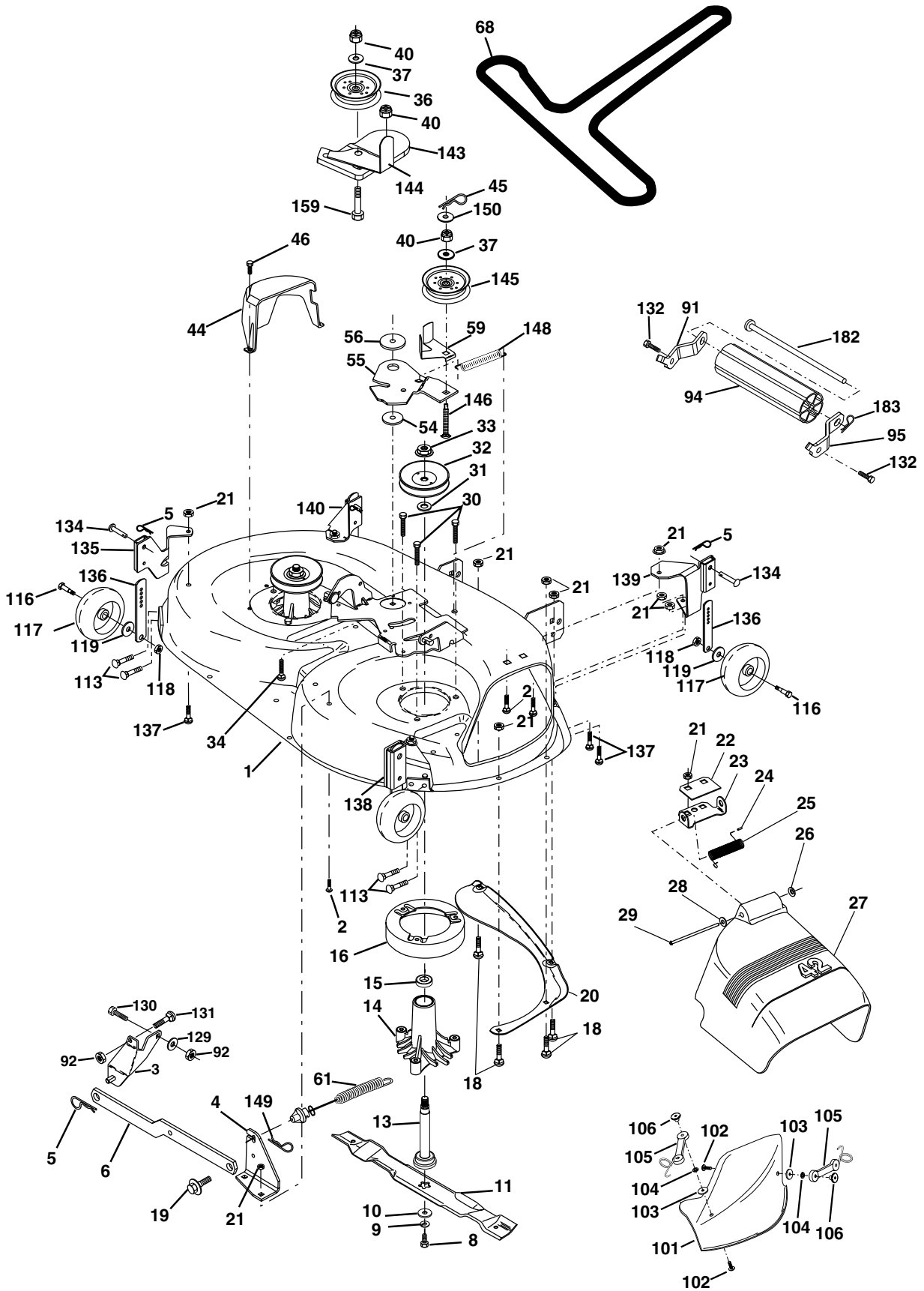
| KEY NO. | PART NO.     | DESCRIPTION                        |
|---------|--------------|------------------------------------|
| 1       | 532 15 94-60 | Wire Asm Inner/Spring W/Plunger LT |
| 2       | 532 15 94-71 | Shaft Asm Lift RH w/Inf            |
| 3       | 532 10 57-67 | Pin Groove 1 500 Zinc              |
| 4       | 812 00 00-02 | E Ring #5133-62                    |
| 5       | 819 21 16-21 | Washer 21/32 X 1 X 21 Ga           |
| 6       | 532 12 01-83 | Bearing Nylon Blk 629 Id           |
| 7       | 532 12 56-31 | Grip Handle Fluted Blk             |
| 8       | 532 12 45-26 | Button Plunger Black               |
| 11      | 532 13 98-65 | Link Lift LH                       |
| 12      | 532 13 98-66 | Link Lift RH                       |
| 13      | 532 12 46-70 | Retainer Spring                    |
| 15      | 532 17 32-88 | Link Front                         |
| 16      | 873 35 08-00 | Nut Jam Hex 1/2-13 Unc             |
| 17      | 532 17 56-89 | Trunnion                           |
| 18      | 873 80 08-00 | Nut Lock w/Wsh 1/2-13unc           |
| 19      | 532 13 98-68 | Arm Suspension Rear                |
| 20      | 532 16 35-52 | Retainer Spring                    |
| 23      | 532 11 08-07 | Nut Special                        |

| KEY NO. | PART NO.     | DESCRIPTION                    |
|---------|--------------|--------------------------------|
| 24      | 819 13 10-16 | Washer 13/32 X 5/8 X 16 Ga     |
| 25      | 532 12 48-74 | Spring 2-1/8"                  |
| 26      | 532 16 94-84 | Retainer Clip                  |
| 27      | 532 12 69-71 | Rod Adj Lift Zinc 7.49 Wrk Lg  |
| 28      | 873 35 06-00 | Nut Hex Jam 3/8-16 Unc         |
| 29      | 532 13 80-57 | Knob Inf 3/8-16 Unc Blk W/sym  |
| 30      | 532 15 02-33 | Trunnion Infin Height          |
| 31      | 532 16 98-65 | Bearing PVT Lift               |
| 32      | 873 54 06-00 | Nut Crownlock 3/8-24           |
| 36      | 532 15 50-97 | Indicator Height STLT          |
| 37      | 532 12 39-35 | Plug Hole Blk 1.485/1.515 Dia. |
| 38      | 817 06 05-16 | Screw 5/16-18 x 1              |
| 40      | 819 11 24-10 | Washer 11/32 x 1-1/2 10 Ga.    |
| 41      | 532 15 50-98 | Scale Ind. Height Blk.         |
| 49      | 532 14 52-12 | Nut Hex Flange Lock            |
| 50      | 532 11 04-52 | Nut, Push Phos & Oil           |

**NOTE:** All component dimensions given in U.S. inches  
1 inch = 25.4 mm

# REPAIR PARTS

TRACTOR - MODEL NO. YTH1542XP (YTH1542XPE), PRODUCT NO. 954 56 72-53  
MOWER DECK



## REPAIR PARTS

**TRACTOR - MODEL NO. YTH1542XP (YTH1542XPE), PRODUCT NO. 954 56 72-53  
MOWER DECK**

| KEY NO. | PART NO.     | DESCRIPTION                       | KEY NO. | PART NO.     | DESCRIPTION                                                                              |
|---------|--------------|-----------------------------------|---------|--------------|------------------------------------------------------------------------------------------|
| 1       | 532 16 58-94 | Mower Deck Assembly, 42"          | 91      | 532 18 05-32 | Bracket Asm Noseroller Lh                                                                |
| 2       | 872 14 05-06 | Bolt                              | 92      | 873 80 05-00 | Nut Lock Hex 5/16-18                                                                     |
| 3       | 532 13 80-17 | Bracket Assembly, Sway Bar, Front | 94      | 532 13 22-64 | Roller Nose 38"-50"                                                                      |
| 4       | 532 16 54-60 | Bracket Sway Bar 42" Deck         | 95      | 532 18 05-33 | Bracket Asm Noseroller Rh                                                                |
| 5       | 532 12 46-70 | Retainer Spring                   | 101     | 532 13 64-20 | Mulcher Cover                                                                            |
| 6       | 532 17 80-24 | Bar Sway Deck                     | 102     | 871 08 10-10 | Screw                                                                                    |
| 8       | 532 85 08-57 | Bolt, Hex 3/8-24 x 1.25 Gr. 8     | 103     | 819 06 12-16 | Washer #10                                                                               |
| 9       | 810 03 06-00 | Washer, Lock                      | 104     | 810 07 10-00 | Washer, Lock                                                                             |
| 10      | 532 14 02-96 | Washer, Hardened                  | 105     | 532 16 07-93 | Latch Assembly, Bagger                                                                   |
| 11      | 532 13 84-98 | Blade Mower 42" High Perf.        | 106     | 532 12 50-04 | Nut, Weld                                                                                |
|         | 532 13 41-49 | Blade, Mulching                   | 113     | 817 06 05-12 | Screw 5/16-18 x 3/4 Tap R                                                                |
| 13      | 532 13 76-45 | Shaft Assembly, Mandrel, Vented   | 116     | 532 12 48-42 | Bolt, Shoulder                                                                           |
| 14      | 532 12 87-74 | Housing, Mandrel, Vented          | 117     | 532 16 57-46 | Wheel, Gauge                                                                             |
| 15      | 532 11 04-85 | Bearing, Ball, Mandrel            | 118     | 873 93 06-00 | Nut, Centerlock 3/8-16                                                                   |
| 16      | 532 17 44-93 | Stripper                          | 119     | 819 12 14-14 | Washer 3/8 x 7/8 x 14 Gauge                                                              |
| 18      | 872 14 05-05 | Bolt, Carriage 5/16-18 x 5/8      | 129     | 819 13 13-12 | Washer 13/32 x 13/16 x Ga.                                                               |
| 19      | 532 13 28-27 | Bolt, Shoulder                    | 130     | 874 78 06-16 | Bolt Fin Hex 3/8-16unc x 1 Gr.5                                                          |
| 20      | 532 15 97-70 | Baffle, Vortex                    | 131     | 872 14 06-08 | Bolt Rdhd Sqnk 3/8-16unc x 1                                                             |
| 21      | 873 68 05-00 | Nut Crownlock 5/16-18 UNC         | 132     | 817 06 06-12 | Screw 3/8-16 x .75                                                                       |
| 22      | 532 13 47-53 | Stiffener Bracket                 | 134     | 532 15 69-41 | Pin Head Rivet                                                                           |
| 23      | 532 13 12-67 | Bracket, Deflector                | 135     | 532 17 80-74 | Bracket Asm Whl GA R LH                                                                  |
| 24      | 532 10 53-04 | Cap, Sleeve                       | 136     | 532 15 59-86 | Bar Adjusting GA WHL                                                                     |
| 25      | 532 12 37-13 | Spring, Torsion, Deflector        | 137     | 872 11 05-05 | Bolt Carr 5/16-18 x 5/8                                                                  |
| 26      | 532 11 04-52 | Nut, Push                         | 138     | 532 17 80-75 | Bracket Asm Whl GA R RH                                                                  |
| 27      | 532 17 18-59 | Shield, Deflector                 | 139     | 532 17 80-77 | Bracket Asm Whl GA F RH                                                                  |
| 28      | 819 11 10-16 | Washer 11/32 x 5/8 x 16 Ga.       | 140     | 532 17 80-76 | Bracket Asm Whl GA F LH                                                                  |
| 29      | 532 13 14-91 | Rod, Hinge                        | 143     | 532 15 71-09 | Bracket Arm Idler 42"                                                                    |
| 30      | 532 17 39-84 | Screw Thdrol Hex                  | 144     | 532 17 34-41 | Keeper Belt 42" Clutch Cable                                                             |
| 31      | 532 12 99-63 | Washer, Spacer                    | 145     | 532 17 34-37 | Pulley Idler Flat                                                                        |
| 32      | 532 17 34-36 | Pulley, Mandrel                   | 146     | 532 17 19-77 | Bolt Carriage Idler                                                                      |
| 33      | 532 17 83-42 | Nut, Toplock, Flanged             | 148     | 532 16 90-22 | Spring Return Idler                                                                      |
| 34      | 872 11 06-4  | Bolt                              | 149     | 532 16 58-98 | Retainer Spring Yellow Zinc                                                              |
| 36      | 532 17 34-38 | Pulley, Idler, Flat               | 150     | 819 09 12-16 | Washer 9/32 x 3/4 x 16 Ga.                                                               |
| 37      | 819 13 13-16 | Washer 13/32 x 13/16 x 16 Gauge   | 159     | 872 14 06-14 | Bolt Rdhd Sqn 3/8-16 UNC x 1- 3/4                                                        |
| 40      | 873 68 06-00 | Nut Crownlock 3/8-16 UNC          | 182     | 532 17 91-26 | Rod Roller Nose                                                                          |
| 44      | 532 14 00-88 | Guard, Mandrel, L.H.              | 183     | 532 16 35-52 | Retainer Spring                                                                          |
| 45      | 532 12 47-88 | Retainer                          | --      | 532 13 07-94 | Mandrel Assembly (Includes Housing, Shaft and Shaft Hardware Only - Pulley Not Included) |
| 46      | 532 13 77-29 | Screw, Thd. Roll 1/4-20 x 5/8     | --      | 532 17 60-50 | Replacement Mower, Complete                                                              |
| 54      | 532 13 39-43 | Washer, Hardened                  |         |              |                                                                                          |
| 55      | 532 15 50-46 | Arm, Idler                        |         |              |                                                                                          |
| 56      | 532 12 20-52 | Spacer, Retainer                  |         |              |                                                                                          |
| 59      | 532 17 34-42 | Guard, TUV Idler                  |         |              |                                                                                          |
| 61      | 532 17 48-82 | Spring Ext Elect Clutch 42" Dck   |         |              |                                                                                          |
| 68      | 532 17 48-83 | V-Belt                            |         |              |                                                                                          |

**NOTE:** All component dimensions given in U.S. inches  
1 inch = 25.4 mm