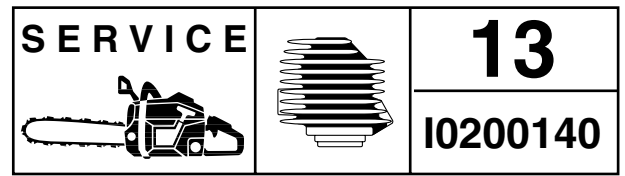


For Husqvarna Parts Call 606-678-9623 or 606-561-4983



IPL, 232 R, 232 L, 235 R, 235 R II, 240RJ, 2002-09, 106 26 45-62

# 232R,L, 235R, 235RII 240RJ

**Spare parts**

**Ersatzteile**

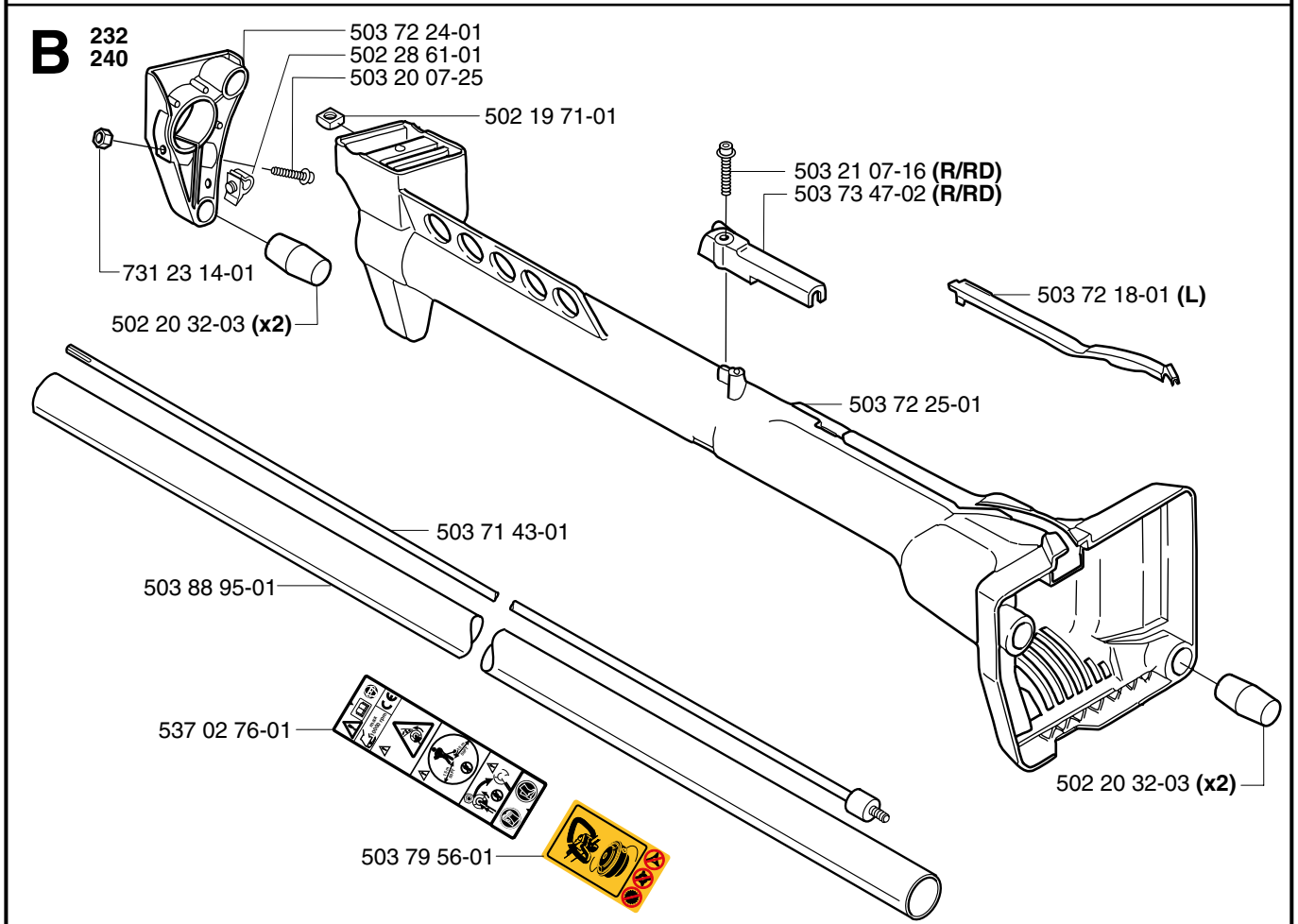
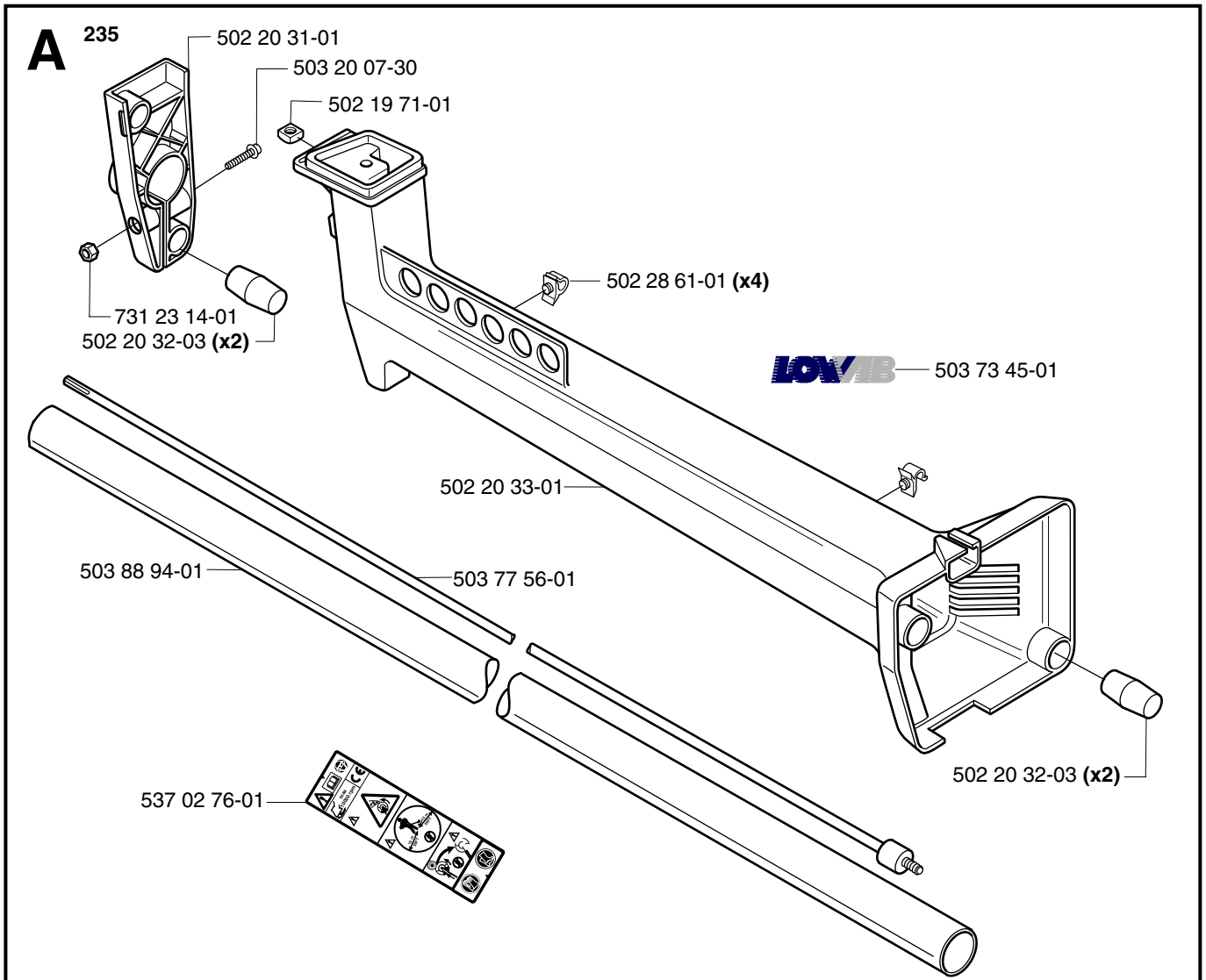
**Pièces détachées**

**Reserve onderdelen**

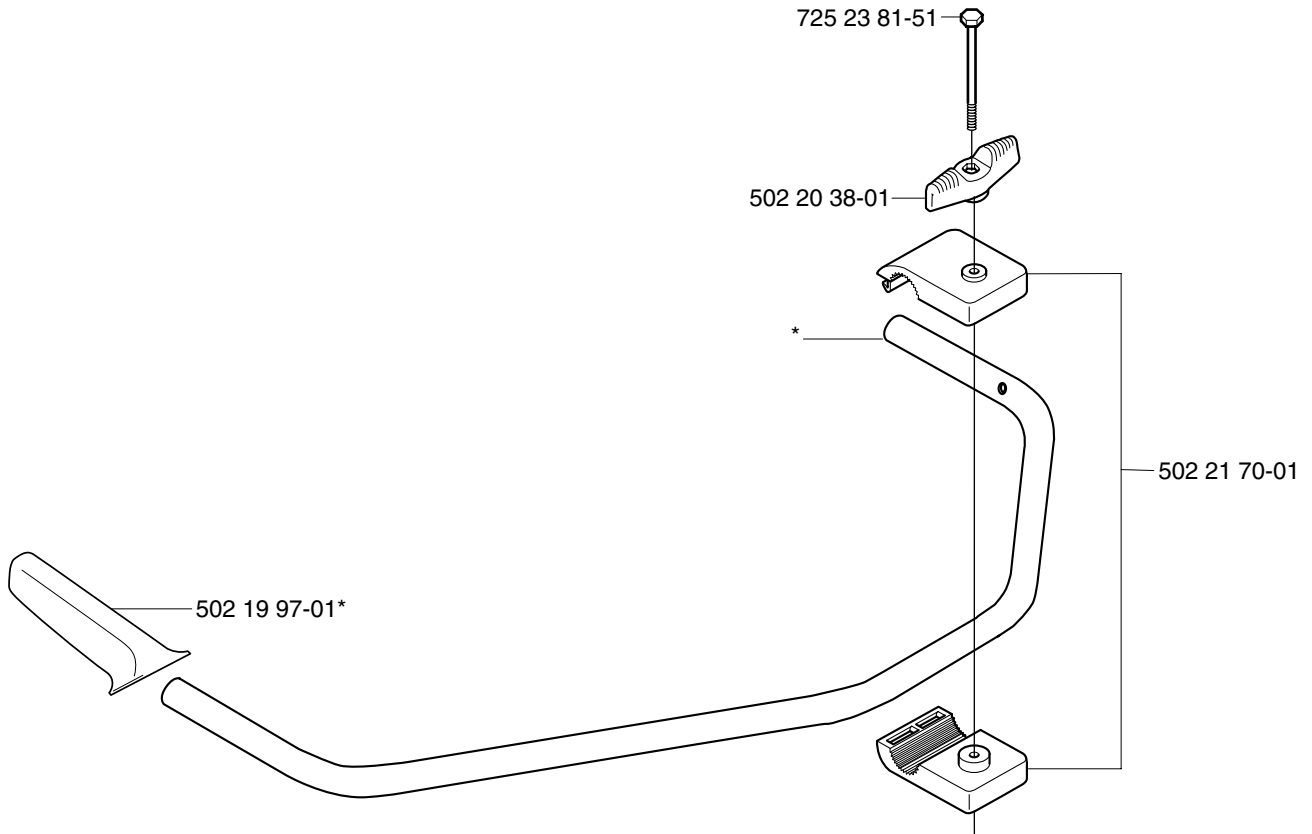
**Repuestos**

**Reservdelar**

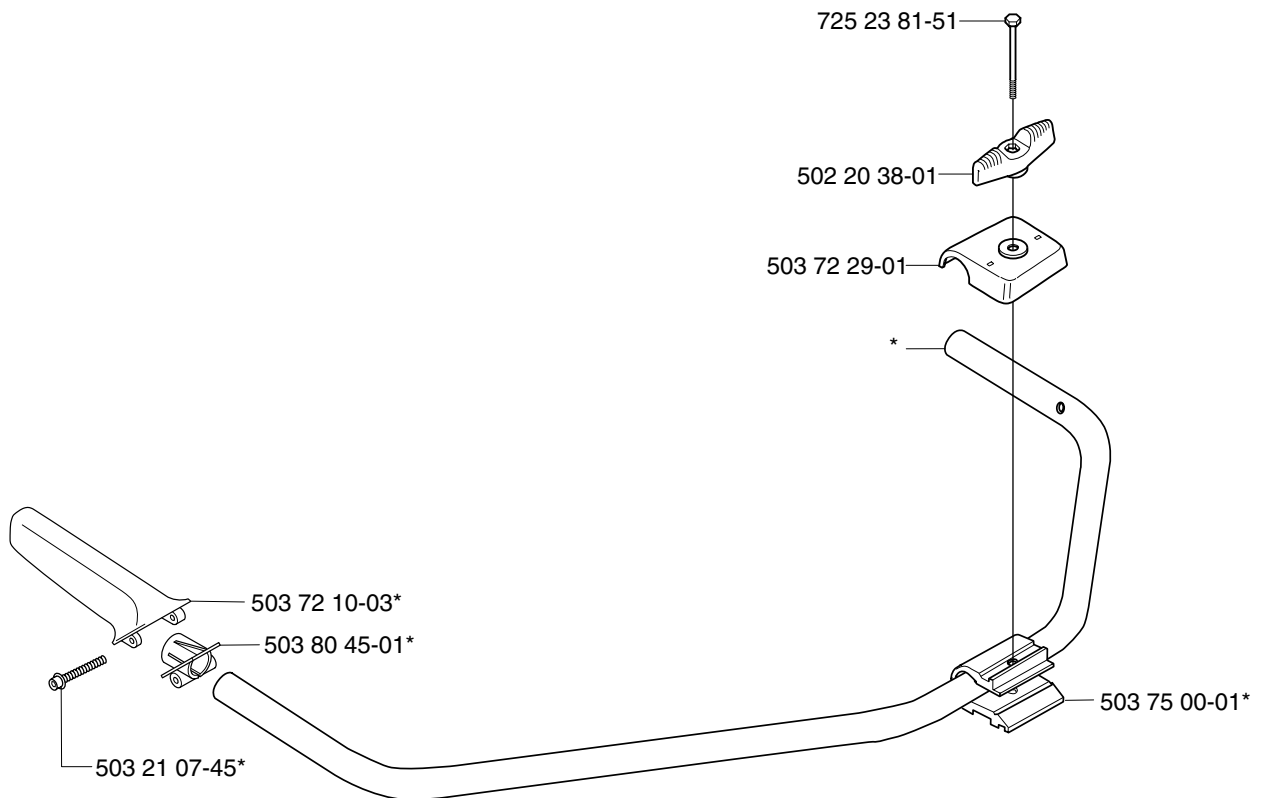
106 26 45-62



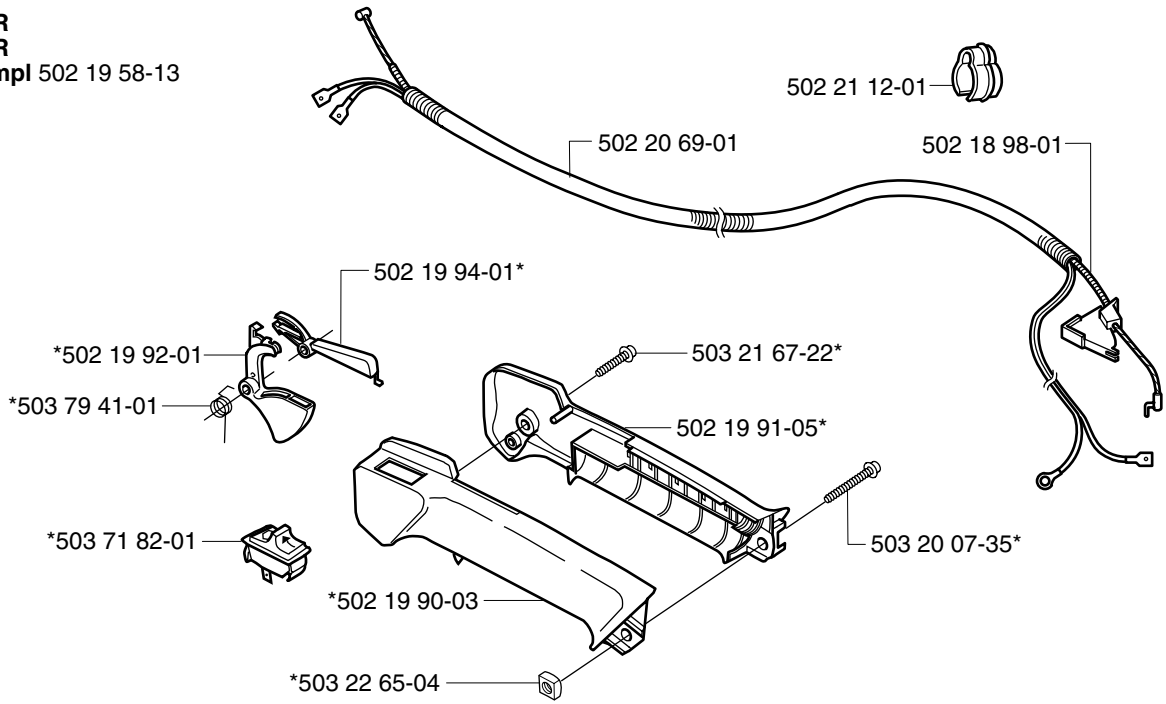
**C** 235R  
\*compl 502 19 60-01



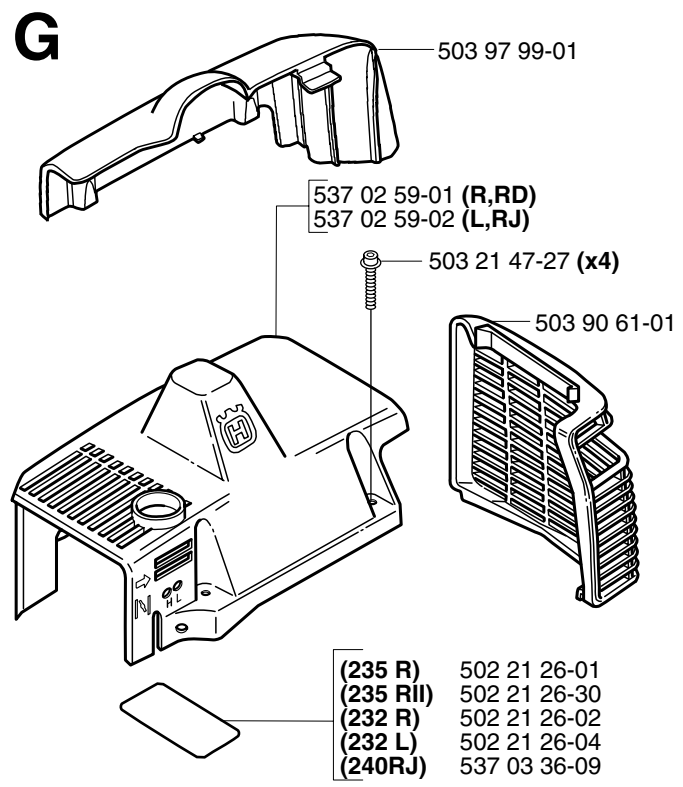
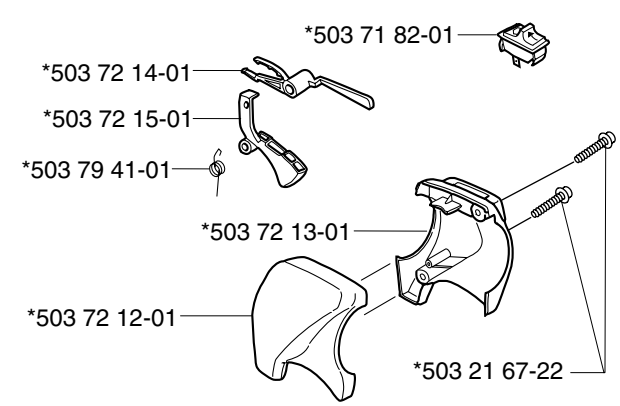
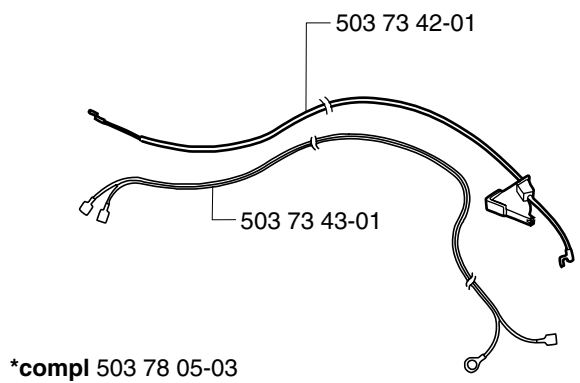
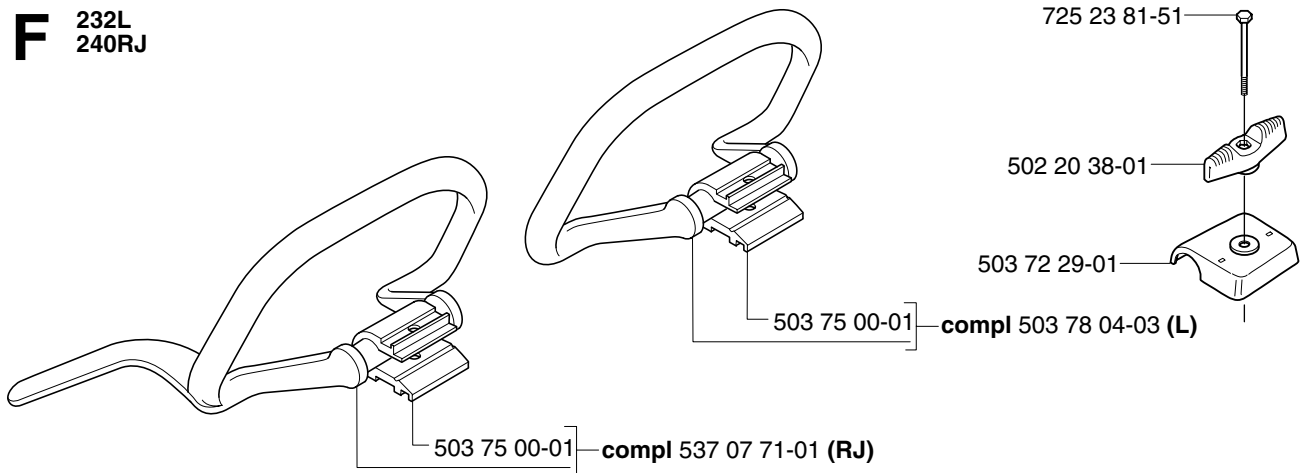
**D** 232R  
\*compl 503 72 43-03



**E** 232R  
235R  
\*compl 502 19 58-13

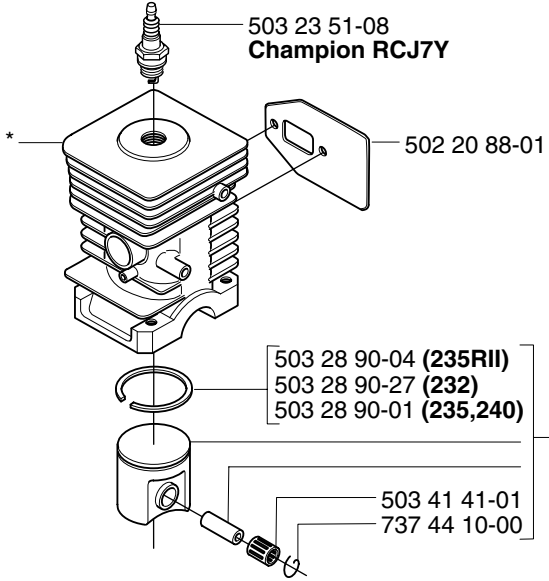


**F** 232L  
240RJ



**H**

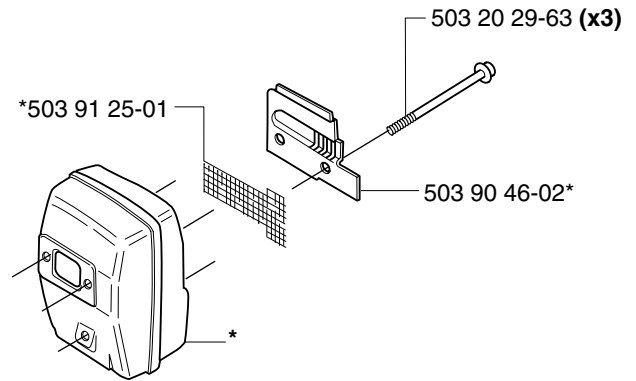
- \*compl 503 72 80-01 (232) ø35
- \*compl 503 69 46-01 (235, 240) ø38
- \*compl 537 10 41-01 (235RII) ø40



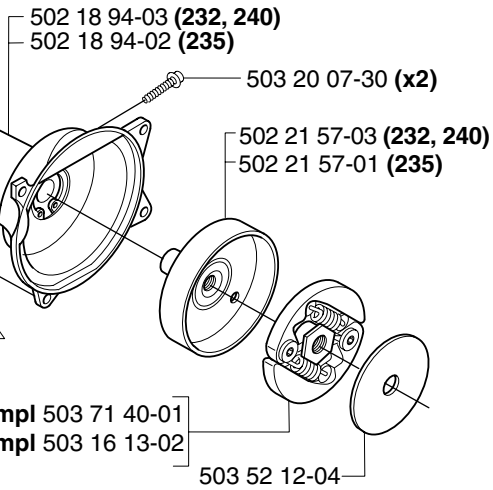
- \*compl 502 21 43-02 (232) ø35
- \*compl 503 68 64-02 (235, 240) ø38
- \*compl 537 10 40-02 (235RII) ø40

**J**

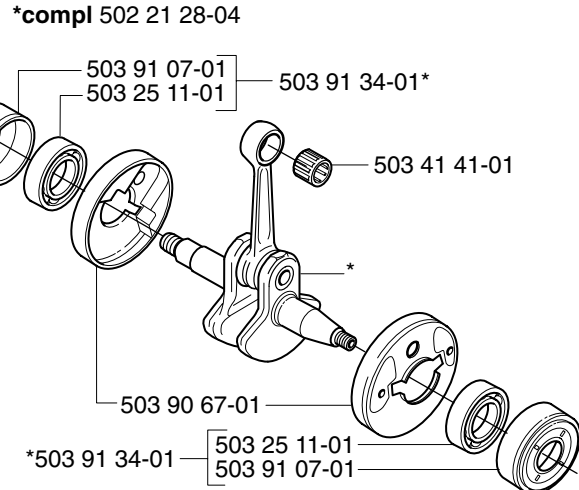
- \*compl 503 90 47-02



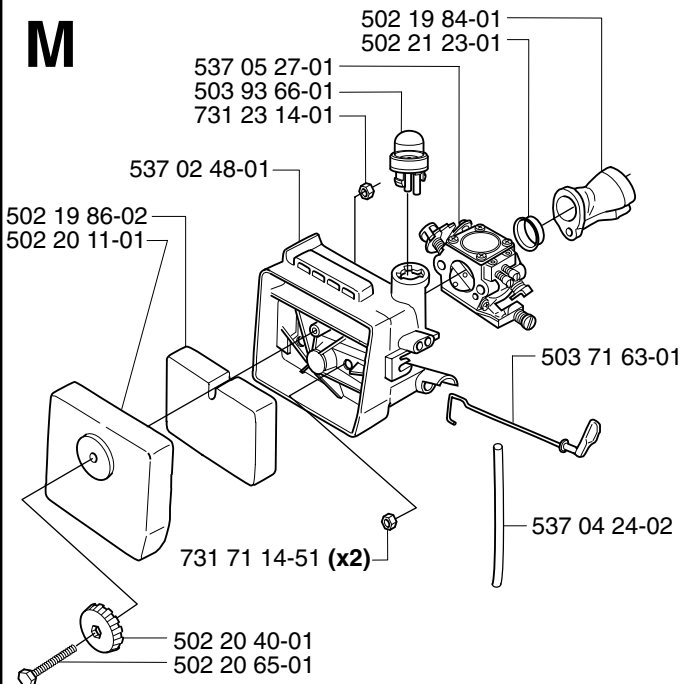
**K**



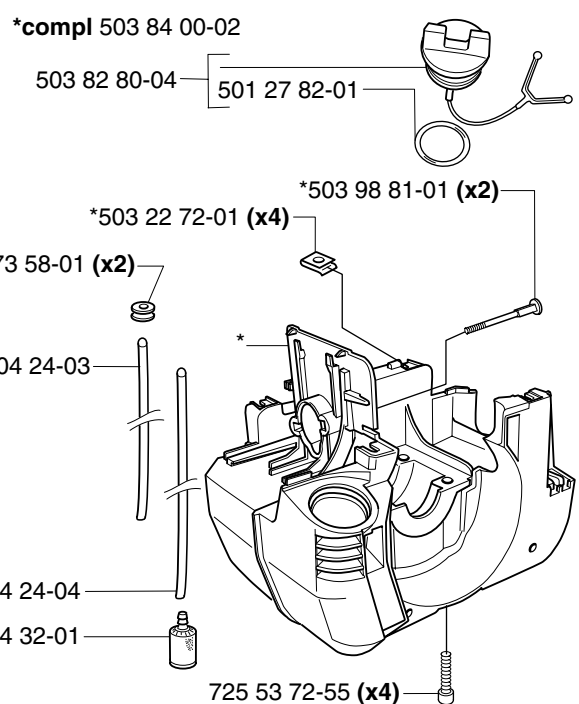
**L**



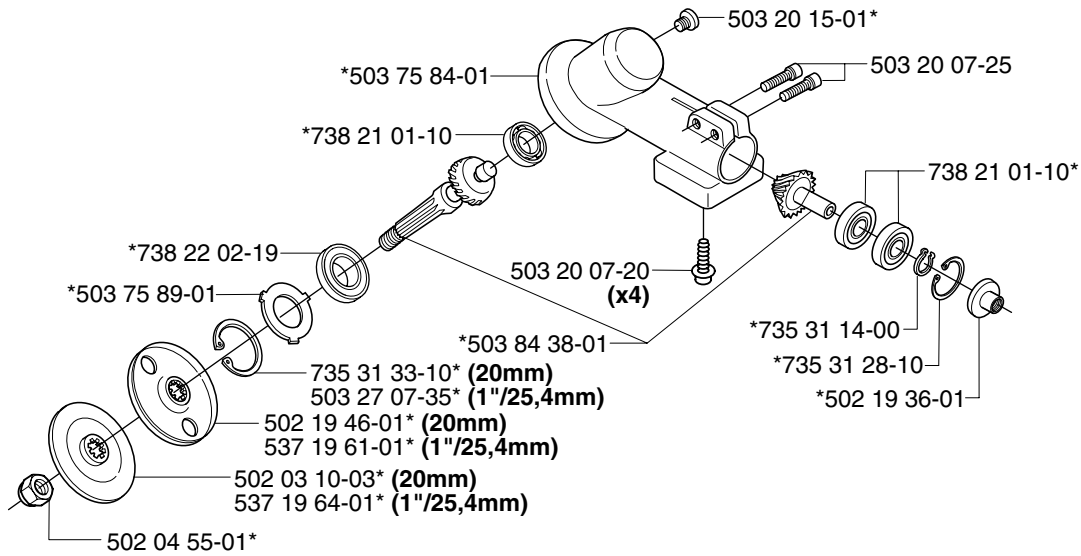
**M**



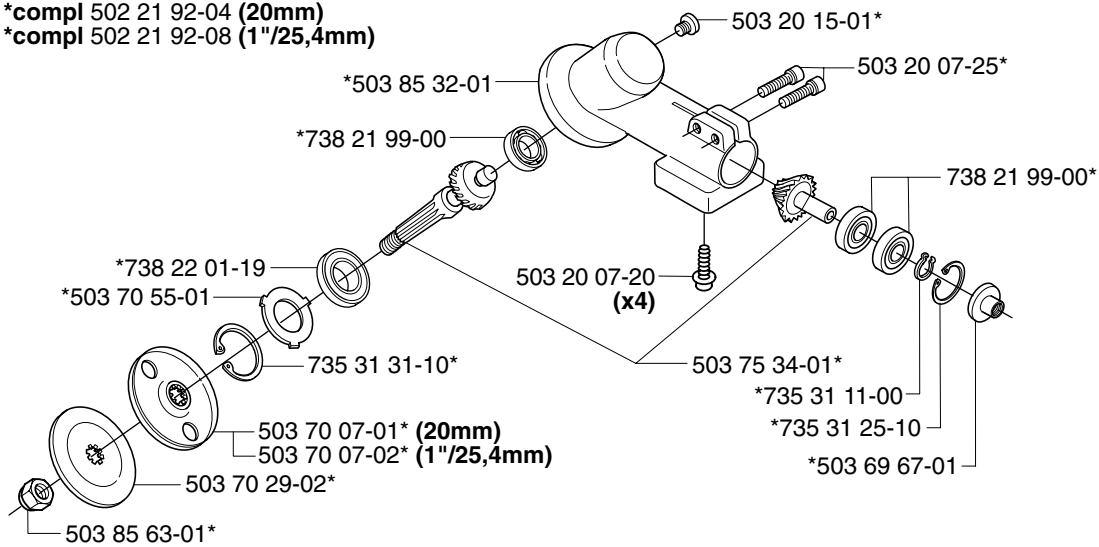
**N**



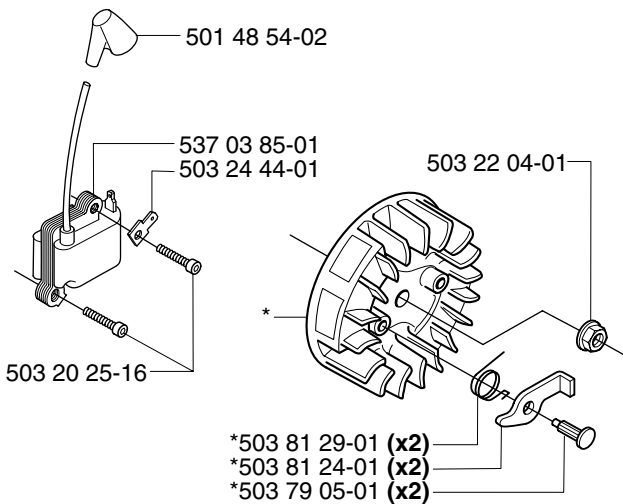
**P** 235  
 \*compl 503 75 83-01 (20mm)  
 \*compl 503 75 83-02 (1"/25,4mm)



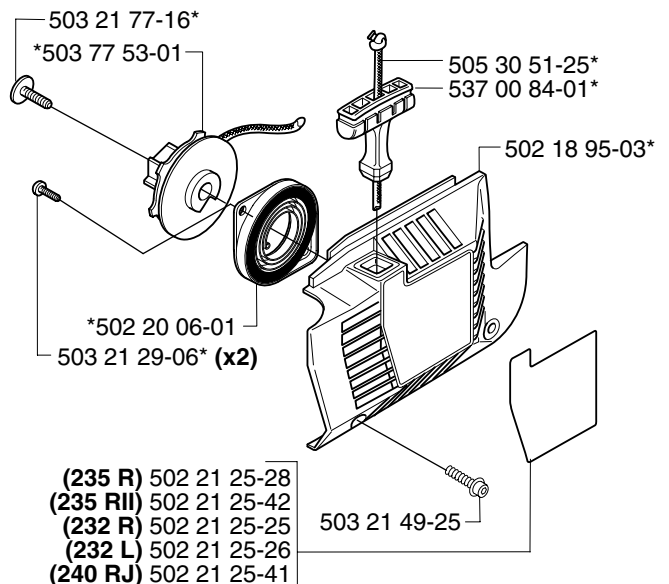
**Q** 232  
 240  
 \*compl 502 21 92-04 (20mm)  
 \*compl 502 21 92-08 (1"/25,4mm)



**R** \*compl 503 79 06-01



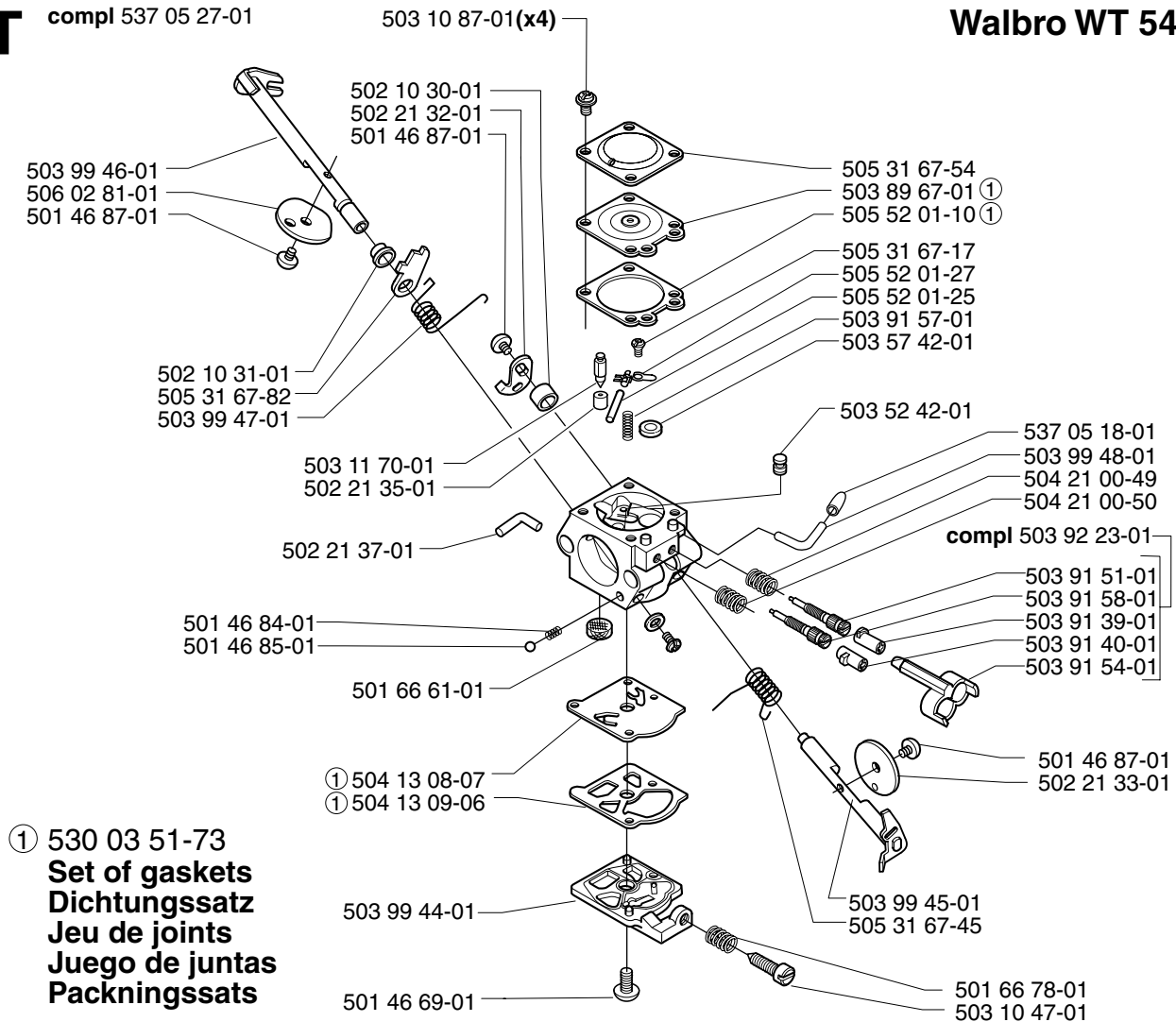
**S** \*compl 502 18 95-02



**T**

compl 537 05 27-01

**Walbro WT 548**

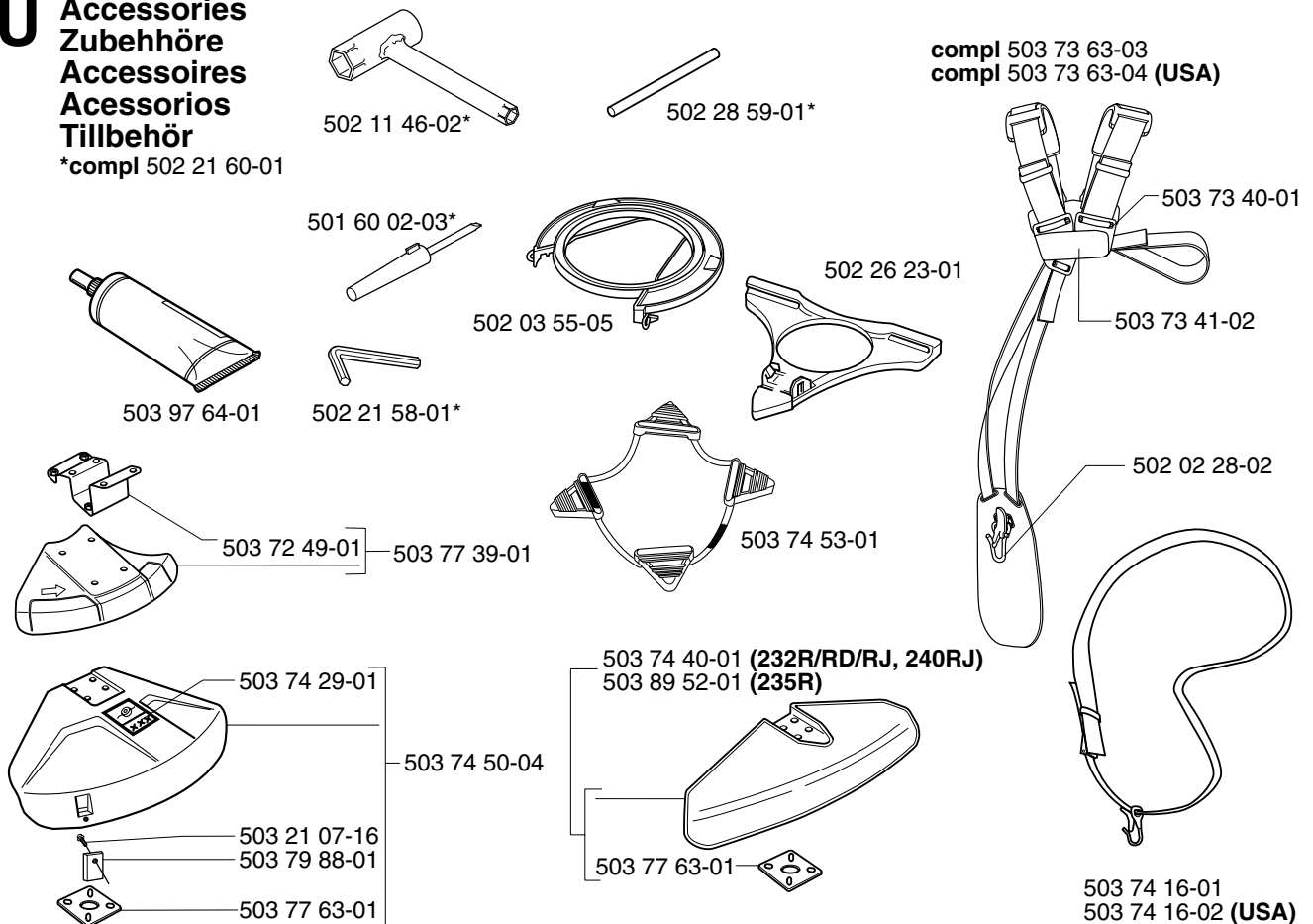


**U**

**Accessories  
Zubehöre  
Accessoires  
Accesorios  
Tillbehör**

\*compl 502 21 60-01

**compl 503 73 63-03  
compl 503 73 63-04 (USA)**



# For Husqvarna Parts Call 606-678-9623 or 606-561-4983

MODEL 232R,RJ,L, 235R,RJ, 240RJ

PART NUMBER	SQUARE NOTE	PART NUMBER	SQUARE NOTE	PART NUMBER	SQUARE NOTE	PART NUMBER	SQUARE NOTE
501 27 82-01	N	503 10 87-01	T	503 75 34-01	Q	537 04 24-03	N
501 46 69-01	T	503 11 70-01	T	503 75 83-01	P	537 04 24-04	N
501 46 84-01	T	503 16 13-02	K	503 75 83-02	P N	537 05 18-01	T
501 46 85-01	T	503 20 07-20	PQ N	503 75 84-01	P	537 05 27-01	MT
501 46 87-01	T	503 20 07-25	BPQ N	503 75 89-01	P	537 07 71-01	F
501 48 54-02	R	503 20 07-30	A N	503 77 39-01	U	537 10 40-02	H
501 60 02-03	U	503 20 07-30	K N	503 77 53-01	S	537 10 41-01	H
501 66 61-01	T	503 20 07-35	E N	503 77 56-01	A N	537 19 61-01	P N
501 66 78-01	T	503 20 15-01	PQ N	503 77 63-01	U	537 19 64-01	P N
502 02 28-02	U	503 20 25-16	R	503 78 04-03	F	725 23 81-51	CDF
502 03 10-03	P	503 20 29-63	J	503 78 05-03	F	725 53 72-55	N
502 03 55-05	U	503 21 07-16	BU	503 79 05-01	R	731 23 14-01	ABM
502 04 55-01	P	503 21 07-45	D	503 79 06-01	R	731 71 14-51	M
502 10 30-01	T	503 21 29-06	S	503 79 41-01	EF	735 31 11-00	Q
502 10 31-01	T	503 21 47-27	H N	503 79 56-01	B	735 31 14-00	P
502 11 46-02	U	503 21 49-25	KS N	503 79 88-01	U	735 31 25-10	Q
502 18 94-02	K	503 21 67-22	EF N	503 80 45-01	D	735 31 28-10	P
502 18 94-03	K	503 21 77-16	S	503 81 24-01	R	735 31 31-10	Q
502 18 95-02	S	503 22 04-01	R	503 81 29-01	R	735 31 33-10	P
502 18 95-03	S	503 22 65-04	E	503 82 80-04	N	737 44 10-00	H
502 18 98-01	E	503 22 72-01	N	503 84 00-02	N	738 21 01-10	P
502 19 36-01	P	503 23 51-08	H	503 84 38-01	P	738 21 99-00	Q
502 19 46-01	P	503 24 44-01	R	503 85 32-01	Q	738 22 01-19	Q
502 19 58-13	E	503 27 07-35	P N	503 85 63-01	Q N	738 22 02-19	P
502 19 60-01	C	503 28 90-01	H	503 88 94-01	A		
502 19 71-01	AB	503 28 90-04	H	503 88 95-01	B		
502 19 84-01	M	503 28 90-27	H	503 89 52-01	U		
502 19 86-02	M	503 41 41-01	H	503 89 67-01	T		
502 19 90-03	E	503 44 32-01	N	503 90 46-02	J		
502 19 91-05	E	503 52 12-04	K	503 90 47-02	J		
502 19 92-01	E	503 52 42-01	T	503 90 61-01	G		
502 19 94-01	E	503 57 42-01	T	503 91 25-01	J		
502 19 97-01	C	503 68 64-02	H	503 91 39-01	T		
502 20 06-01	S	503 69 46-01	H	503 91 40-01	T		
502 20 11-01	M	503 69 67-01	Q	503 91 51-01	T		
502 20 31-01	A	503 70 07-01	Q	503 91 54-01	T		
502 20 32-03	AB	503 70 07-02	Q N	503 91 57-01	T		
502 20 33-01	A	503 70 29-02	Q	503 91 58-01	T		
502 20 38-01	CDF	503 70 55-01	Q	503 92 23-01	T		
502 20 40-01	M	503 71 40-01	K	503 93 66-01	M		
502 20 65-01	M	503 71 43-01	B	503 97 64-01	U N		
502 20 69-01	E	503 71 63-01	M	503 97 99-01	G		
502 20 88-01	H	503 71 82-01	EF	503 98 81-01	N		
502 21 12-01	E	503 72 10-03	D	503 99 44-01	T		
502 21 23-01	M	503 72 12-01	F	503 99 45-01	T		
502 21 25-25	S	503 72 13-01	F	503 99 46-01	T		
502 21 25-26	S	503 72 14-01	F	503 99 47-01	T		
502 21 25-28	S	503 72 15-01	F	503 99 48-01	T		
502 21 25-41	S	503 72 18-01	B	504 13 08-07	T		
502 21 25-42	S	503 72 25-01	B	504 13 09-06	T		
502 21 26-01	G	503 72 29-01	DF	504 21 00-49	T		
502 21 26-02	G	503 72 43-03	D	504 21 00-50	T		
502 21 26-04	G	503 72 49-01	U	505 30 51-25	S		
502 21 26-30	G	503 72 80-01	H	505 31 67-17	T		
502 21 32-01	T	503 73 40-01	U	505 31 67-45	T		
502 21 33-01	T	503 73 41-02	U	505 31 67-54	T		
502 21 35-01	T	503 73 42-01	F	505 31 67-82	T		
502 21 37-01	T	503 73 43-01	F	505 52 01-10	T		
502 21 43-02	H	503 73 45-01	A	505 52 01-25	T		
502 21 57-01	K	503 73 47-02	B	505 52 01-27	T		
502 21 57-03	K	503 73 58-01	N	506 02 81-01	T		
502 21 58-01	U	503 73 63-03	U	530 03 51-73	T		
502 21 60-01	U	503 73 63-04	U	537 00 84-01	S		
502 21 70-01	C	503 74 16-01	U	537 02 48-01	M		
502 21 92-04	Q	503 74 16-02	U	537 02 59-01	G		
502 21 92-08	Q N	503 74 29-01	U	537 02 59-02	G		
502 26 23-01	U	503 74 40-01	U	537 02 76-01	AB		
502 28 59-01	U	503 74 50-04	U	537 03 36-09	G		
502 28 61-01	AB	503 74 53-01	U	537 03 85-01	R		
503 10 47-01	T	503 75 00-01	DF	537 04 24-02	M		

N = New part  
 Neues teil  
 Nouvelle piece  
 Nueva pieza  
 Ny detalj